
K32 L2B Sub-Family Reference Manual

Supports: K32L2B31VLH0A, K32L2B31VMP0A, K32L2B31VFT0A,
K32L2B31VFM0A, K32L2B21VLH0A, K32L2B21VMP0A,
K32L2B21VFT0A, K32L2B21VFM0A, K32L2B11VLH0A,
K32L2B11VMP0A, K32L2B11VFT0A, K32L2B11VFM0A

Document Number: K32L2B3xRM
Rev. 2, 12/2019





Contents

Section number	Title	Page
----------------	-------	------

Chapter 1 About This Document

1.1	Overview.....	39
1.1.1	Purpose.....	39
1.1.2	Audience.....	39
1.2	Conventions.....	39
1.2.1	Numbering systems.....	39
1.2.2	Typographic notation.....	40
1.2.3	Special terms.....	40

Chapter 2 Introduction

2.1	Overview.....	41
2.1.1	Sub-family introduction.....	41
2.2	Module functional categories.....	42
2.2.1	Arm Cortex-M0+ core modules.....	43
2.2.2	System modules.....	43
2.2.3	Memories and memory interfaces.....	44
2.2.4	Clocks.....	44
2.2.5	Security and integrity modules.....	45
2.2.6	Analog modules.....	45
2.2.7	Timer modules.....	45
2.2.8	Communication interfaces.....	46
2.2.9	Human-machine interfaces.....	46
2.3	Module to module interconnects.....	47
2.3.1	Interconnection overview.....	47
2.3.2	Analog reference options.....	49

Chapter 3 Core Overview

Section number	Title	Page
3.1	Arm Cortex-M0+ core introduction.....	51
3.1.1	Buses, interconnects, and interfaces.....	51
3.1.2	System tick timer.....	51
3.1.3	Debug facilities.....	51
3.1.4	Core privilege levels.....	52
3.2	Nested vectored interrupt controller (NVIC)	52
3.2.1	Interrupt priority levels.....	52
3.2.2	Non-maskable interrupt.....	52
3.2.3	Interrupt channel assignments.....	52
3.3	AWIC introduction.....	55
3.3.1	Wake-up sources.....	55

Chapter 4 Memory Map

4.1	Introduction.....	57
4.2	Flash memory.....	57
4.2.1	Flash memory map.....	58
4.2.2	Flash security.....	58
4.2.3	Flash modes.....	58
4.2.4	Erase all flash contents.....	58
4.2.5	FTFA_FOFT register.....	59
4.3	SRAM.....	59
4.3.1	SRAM sizes.....	59
4.3.2	SRAM ranges.....	60
4.3.3	SRAM retention in low power modes.....	61
4.4	System Register file.....	61
4.5	System memory map.....	61
4.6	Bit Manipulation Engine.....	62
4.7	Peripheral bridge (AIPS-Lite) memory map.....	62
4.7.1	Read-after-write sequence and required serialization of memory operations.....	63

Section number	Title	Page
4.7.2	Peripheral bridge (AIPS-Lite) memory map.....	63

Chapter 5 Clock Distribution

5.1	Introduction.....	69
5.2	Programming model.....	69
5.3	High-level device clocking diagram.....	69
5.4	Clock definitions.....	70
5.4.1	Device clock summary.....	71
5.5	Internal clocking requirements.....	73
5.5.1	Clock divider values after reset.....	74
5.5.2	VLPR mode clocking.....	74
5.6	Clock gating.....	74
5.7	Module clocks.....	75
5.7.1	PMC 1-kHz LPO clock.....	76
5.7.2	COP clocking.....	76
5.7.3	RTC clocking.....	77
5.7.4	RTC_CLKOUT and CLKOUT32K clocking.....	77
5.7.5	LPTMR clocking.....	78
5.7.6	TPM clocking.....	79
5.7.7	USB FS device only controller clocking.....	79
5.7.8	LPUART clocking.....	80
5.7.9	FlexIO clocking.....	81
5.7.10	SLCD clocking.....	82

Chapter 6 Reset and Boot

6.1	Introduction.....	83
6.2	Reset.....	83
6.2.1	Power-on reset (POR).....	84
6.2.2	System reset sources.....	84

Section number	Title	Page
6.2.3	MCU resets.....	87
6.2.4	RESET pin	88
6.3	Boot.....	88
6.3.1	Boot sources.....	89
6.3.2	FOPT boot options.....	89
6.3.3	Boot sequence.....	91

Chapter 7 Power Management

7.1	Introduction.....	93
7.2	Clocking modes.....	93
7.2.1	Partial Stop.....	93
7.2.2	DMA Wakeup.....	94
7.2.3	Compute Operation.....	95
7.2.4	Peripheral Doze.....	96
7.2.5	Clock gating.....	97
7.3	Power modes.....	97
7.4	Entering and exiting power modes.....	99
7.5	Module operation in low-power modes.....	100

Chapter 8 Security

8.1	Introduction.....	105
8.1.1	Flash security.....	105
8.1.2	Security interactions with other modules.....	105

Chapter 9 Debug

9.1	Introduction.....	107
9.2	Debug port pin descriptions.....	107
9.3	SWD status and control registers.....	108
9.3.1	MDM-AP Control Register.....	109
9.3.2	MDM-AP Status Register.....	110

Section number	Title	Page
9.4	Debug resets.....	112
9.5	Micro Trace Buffer (MTB).....	112
9.6	Debug in low-power modes.....	113
9.7	Debug and security.....	114

Chapter 10

Signal Multiplexing and Signal Descriptions

10.1	Introduction.....	115
10.2	Signal multiplexing integration.....	115
10.2.1	Clock gating.....	116
10.2.2	Signal multiplexing constraints.....	116
10.3	K32 L2B Signal Multiplexing and Pin Assignments (LQFP and MAPBGA).....	116
10.4	K32 L2B Signal Multiplexing and Pin Assignments (QFN).....	119
10.5	K32 L2B LQFP and MAPBGA pinouts.....	120
10.6	K32 L2B QFN Pinouts.....	122
10.7	Module Signal Description Tables.....	124
10.7.1	Core modules.....	124
10.7.2	System modules.....	125
10.7.3	Clock modules.....	125
10.7.4	Analog.....	126
10.7.5	Timer Modules.....	126
10.7.6	Communication interfaces.....	128
10.7.7	Human-machine interfaces (HMI).....	129

Chapter 11

Port Control and Interrupts (PORT)

11.1	Chip-specific PORT information.....	131
11.2	Port control and interrupt summary.....	132
11.3	Introduction.....	133
11.4	Overview.....	133
11.4.1	Features.....	133

Section number	Title	Page
11.4.2	Modes of operation.....	134
11.5	External signal description.....	135
11.6	Detailed signal description.....	135
11.7	Memory map and register definition.....	135
11.7.1	Pin Control Register n (PORTx_PCRn).....	141
11.7.2	Global Pin Control Low Register (PORTx_GPCLR).....	144
11.7.3	Global Pin Control High Register (PORTx_GPCHR).....	144
11.7.4	Interrupt Status Flag Register (PORTx_ISFR).....	145
11.8	Functional description.....	145
11.8.1	Pin control.....	145
11.8.2	Global pin control.....	146
11.8.3	External interrupts.....	146

Chapter 12 System Integration Module (SIM)

12.1	Chip-specific SIM information.....	149
12.1.1	COP clocks.....	149
12.2	Introduction.....	149
12.2.1	Features.....	149
12.3	Memory map and register definition.....	150
12.3.1	System Options Register 1 (SIM_SOPT1).....	151
12.3.2	SOPT1 Configuration Register (SIM_SOPT1CFG).....	152
12.3.3	System Options Register 2 (SIM_SOPT2).....	154
12.3.4	System Options Register 4 (SIM_SOPT4).....	156
12.3.5	System Options Register 5 (SIM_SOPT5).....	157
12.3.6	System Options Register 7 (SIM_SOPT7).....	159
12.3.7	System Device Identification Register (SIM_SDID).....	160
12.3.8	System Clock Gating Control Register 4 (SIM_SCGC4).....	161
12.3.9	System Clock Gating Control Register 5 (SIM_SCGC5).....	163
12.3.10	System Clock Gating Control Register 6 (SIM_SCGC6).....	165

Section number	Title	Page
12.3.11	System Clock Gating Control Register 7 (SIM_SCGC7).....	167
12.3.12	System Clock Divider Register 1 (SIM_CLKDIV1).....	168
12.3.13	Flash Configuration Register 1 (SIM_FCFG1).....	169
12.3.14	Flash Configuration Register 2 (SIM_FCFG2).....	171
12.3.15	Unique Identification Register Mid-High (SIM_UIDMH).....	172
12.3.16	Unique Identification Register Mid Low (SIM_UIDML).....	172
12.3.17	Unique Identification Register Low (SIM_UIDL).....	173
12.3.18	COP Control Register (SIM_COPC).....	173
12.3.19	Service COP (SIM_SRVCOP).....	175
12.4	Functional description.....	175
12.4.1	COP watchdog operation.....	175

Chapter 13 Kinetic ROM Bootloader

13.1	Chip-Specific Information.....	179
13.2	Introduction.....	179
13.3	Functional Description.....	181
13.3.1	Memory Maps.....	181
13.3.2	The Kinetic Bootloader Configuration Area (BCA).....	182
13.3.3	Start-up Process.....	183
13.3.4	Clock Configuration.....	185
13.3.5	Bootloader Entry Point.....	186
13.3.6	Bootloader Protocol.....	187
13.3.7	Bootloader Packet Types.....	192
13.3.8	Bootloader Command API.....	199
13.3.9	Bootloader Exit state.....	214
13.4	Peripherals Supported.....	215
13.4.1	I2C Peripheral.....	215
13.4.2	SPI Peripheral.....	217
13.4.3	USB peripheral.....	219

Section number	Title	Page
13.5	Get/SetProperty Command Properties.....	223
13.5.1	Property Definitions.....	224
13.6	Kinetis Bootloader Status Error Codes.....	226
13.7	Bootloader errata.....	227

Chapter 14 System Mode Controller (SMC)

14.1	Chip-specific SMC information.....	229
14.2	Introduction.....	229
14.3	Modes of operation.....	229
14.4	Memory map and register descriptions.....	231
14.4.1	Power Mode Protection register (SMC_PMPROT).....	232
14.4.2	Power Mode Control register (SMC_PMCTRL).....	233
14.4.3	Stop Control Register (SMC_STOPCTRL).....	234
14.4.4	Power Mode Status register (SMC_PMSTAT).....	236
14.5	Functional description.....	236
14.5.1	Power mode transitions.....	236
14.5.2	Power mode entry/exit sequencing.....	239
14.5.3	Run modes.....	241
14.5.4	Wait modes.....	243
14.5.5	Stop modes.....	244
14.5.6	Debug in low power modes.....	247

Chapter 15 Power Management Controller (PMC)

15.1	Introduction.....	249
15.2	Features.....	249
15.3	Low-voltage detect (LVD) system.....	249
15.3.1	LVD reset operation.....	250
15.3.2	LVD interrupt operation.....	250
15.3.3	Low-voltage warning (LVW) interrupt operation.....	250

Section number	Title	Page
15.4	I/O retention.....	251
15.5	Memory map and register descriptions.....	251
15.5.1	Low Voltage Detect Status And Control 1 register (PMC_LVDSC1).....	252
15.5.2	Low Voltage Detect Status And Control 2 register (PMC_LVDSC2).....	253
15.5.3	Regulator Status And Control register (PMC_REGSC).....	254

Chapter 16 Miscellaneous Control Module (MCM)

16.1	Introduction.....	257
16.1.1	Features.....	257
16.2	Memory map/register descriptions.....	257
16.2.1	Crossbar Switch (AXBS) Slave Configuration (MCM_PLASC).....	258
16.2.2	Crossbar Switch (AXBS) Master Configuration (MCM_PLAMC).....	258
16.2.3	Platform Control Register (MCM_PLACR).....	259
16.2.4	Compute Operation Control Register (MCM_CPO).....	262

Chapter 17 Crossbar Switch Lite (AXBS-Lite)

17.1	Chip-specific AXBS-Lite information.....	265
17.1.1	Crossbar-light switch master assignments.....	265
17.1.2	Crossbar switch slave assignments.....	265
17.2	Introduction.....	265
17.2.1	Features.....	266
17.3	Memory Map / Register Definition.....	266
17.4	Functional Description.....	266
17.4.1	General operation.....	266
17.4.2	Arbitration.....	267
17.5	Initialization/application information.....	269

Chapter 18 Low-Leakage Wakeup Unit (LLWU)

18.1	LLWU interrupt.....	271
18.1.1	Wake-up Sources.....	271

Section number	Title	Page
18.2	Introduction.....	272
18.2.1	Features.....	272
18.2.2	Modes of operation.....	273
18.2.3	Block diagram.....	274
18.3	LLWU signal descriptions.....	275
18.4	Memory map/register definition.....	275
18.4.1	LLWU Pin Enable 1 register (LLWU_PE1).....	276
18.4.2	LLWU Pin Enable 2 register (LLWU_PE2).....	277
18.4.3	LLWU Pin Enable 3 register (LLWU_PE3).....	278
18.4.4	LLWU Pin Enable 4 register (LLWU_PE4).....	279
18.4.5	LLWU Module Enable register (LLWU_ME).....	280
18.4.6	LLWU Flag 1 register (LLWU_F1).....	282
18.4.7	LLWU Flag 2 register (LLWU_F2).....	284
18.4.8	LLWU Flag 3 register (LLWU_F3).....	285
18.4.9	LLWU Pin Filter 1 register (LLWU_FILT1).....	287
18.4.10	LLWU Pin Filter 2 register (LLWU_FILT2).....	288
18.5	Functional description.....	289
18.5.1	LLS mode.....	290
18.5.2	VLLS modes.....	290
18.5.3	Initialization.....	290

Chapter 19

Peripheral Bridge (AIPS-Lite)

19.1	Chip-specific AIPS-Lite information.....	291
19.1.1	Number of peripheral bridges.....	291
19.1.2	Memory maps.....	291
19.2	Introduction.....	291
19.2.1	Features.....	291
19.2.2	General operation.....	292
19.3	Memory map/register definition.....	292

Section number	Title	Page
19.3.1	Master Privilege Register A (AIPS_MPRA).....	293
19.3.2	Peripheral Access Control Register (AIPS_PACR _n).....	295
19.3.3	Off-Platform Peripheral Access Control Register (AIPS_OPACR _n).....	300
19.4	Functional description.....	305
19.4.1	Access support.....	305

Chapter 20 Direct Memory Access Multiplexer (DMAMUX)

20.1	Chip-specific DMAMUX information.....	307
20.1.1	DMA MUX Request Sources.....	307
20.1.2	DMA transfers via PIT trigger.....	309
20.2	Introduction.....	309
20.2.1	Overview.....	309
20.2.2	Features.....	310
20.2.3	Modes of operation.....	310
20.3	External signal description.....	311
20.4	Memory map/register definition.....	311
20.4.1	Channel Configuration register (DMAMUX _x _CHCFG _n).....	311
20.5	Functional description.....	312
20.5.1	DMA channels with periodic triggering capability.....	313
20.5.2	DMA channels with no triggering capability.....	315
20.5.3	Always-enabled DMA sources.....	315
20.6	Initialization/application information.....	317
20.6.1	Reset.....	317
20.6.2	Enabling and configuring sources.....	317

Chapter 21 DMA Controller Module

21.1	Introduction.....	321
21.1.1	Overview.....	321
21.1.2	Features.....	322

Section number	Title	Page
21.2	DMA Transfer Overview.....	323
21.3	Memory Map/Register Definition.....	324
21.3.1	Source Address Register (DMA_SAR n).....	325
21.3.2	Destination Address Register (DMA_DAR n).....	326
21.3.3	DMA Status Register / Byte Count Register (DMA_DSR_BCR n).....	327
21.3.4	DMA Control Register (DMA_DCR n).....	329
21.4	Functional Description.....	333
21.4.1	Transfer requests (Cycle-Steal and Continuous modes).....	333
21.4.2	Channel initialization and startup.....	334
21.4.3	Dual-Address Data Transfer Mode.....	335
21.4.4	Advanced Data Transfer Controls: Auto-Alignment.....	336
21.4.5	Termination.....	337

Chapter 22 Reset Control Module (RCM)

22.1	Introduction.....	339
22.2	Reset memory map and register descriptions.....	339
22.2.1	System Reset Status Register 0 (RCM_SRS0).....	340
22.2.2	System Reset Status Register 1 (RCM_SRS1).....	341
22.2.3	Reset Pin Filter Control register (RCM_RPFC).....	342
22.2.4	Reset Pin Filter Width register (RCM_RPFW).....	343
22.2.5	Force Mode Register (RCM_FM).....	345
22.2.6	Mode Register (RCM_MR).....	345
22.2.7	Sticky System Reset Status Register 0 (RCM_SSRS0).....	346
22.2.8	Sticky System Reset Status Register 1 (RCM_SSRS1).....	347

Chapter 23 Analog-to-Digital Converter (ADC)

23.1	Chip-specific ADC information.....	349
23.1.1	ADC instantiation information.....	349
23.1.2	DMA Support on ADC.....	349

Section number	Title	Page
23.1.3	ADC0 connections/channel assignment.....	350
23.1.4	ADC analog supply and reference connections.....	351
23.1.5	Alternate clock.....	351
23.2	Introduction.....	352
23.2.1	Features.....	352
23.2.2	Block diagram.....	353
23.3	ADC signal descriptions.....	354
23.3.1	Analog Power (VDDA).....	354
23.3.2	Analog Ground (VSSA).....	354
23.3.3	Voltage Reference Select.....	354
23.3.4	Analog Channel Inputs (ADx).....	355
23.3.5	Differential Analog Channel Inputs (DADx).....	355
23.4	Memory map and register definitions.....	355
23.4.1	ADC Status and Control Registers 1 (ADCx_SC1n).....	357
23.4.2	ADC Configuration Register 1 (ADCx_CFG1).....	360
23.4.3	ADC Configuration Register 2 (ADCx_CFG2).....	361
23.4.4	ADC Data Result Register (ADCx_Rn).....	362
23.4.5	Compare Value Registers (ADCx_CVn).....	364
23.4.6	Status and Control Register 2 (ADCx_SC2).....	365
23.4.7	Status and Control Register 3 (ADCx_SC3).....	367
23.4.8	ADC Offset Correction Register (ADCx_OFS).....	368
23.4.9	ADC Plus-Side Gain Register (ADCx_PG).....	369
23.4.10	ADC Minus-Side Gain Register (ADCx_MG).....	369
23.4.11	ADC Plus-Side General Calibration Value Register (ADCx_CLPD).....	370
23.4.12	ADC Plus-Side General Calibration Value Register (ADCx_CLPS).....	371
23.4.13	ADC Plus-Side General Calibration Value Register (ADCx_CLP4).....	371
23.4.14	ADC Plus-Side General Calibration Value Register (ADCx_CLP3).....	372
23.4.15	ADC Plus-Side General Calibration Value Register (ADCx_CLP2).....	372
23.4.16	ADC Plus-Side General Calibration Value Register (ADCx_CLP1).....	373

Section number	Title	Page
23.4.17	ADC Plus-Side General Calibration Value Register (ADCx_CLP0).....	373
23.4.18	ADC Minus-Side General Calibration Value Register (ADCx_CLMD).....	374
23.4.19	ADC Minus-Side General Calibration Value Register (ADCx_CLMS).....	374
23.4.20	ADC Minus-Side General Calibration Value Register (ADCx_CLM4).....	375
23.4.21	ADC Minus-Side General Calibration Value Register (ADCx_CLM3).....	375
23.4.22	ADC Minus-Side General Calibration Value Register (ADCx_CLM2).....	376
23.4.23	ADC Minus-Side General Calibration Value Register (ADCx_CLM1).....	376
23.4.24	ADC Minus-Side General Calibration Value Register (ADCx_CLM0).....	377
23.5	Functional description.....	377
23.5.1	Clock select and divide control.....	378
23.5.2	Voltage reference selection.....	379
23.5.3	Hardware trigger and channel selects.....	379
23.5.4	Conversion control.....	380
23.5.5	Automatic compare function.....	388
23.5.6	Calibration function.....	389
23.5.7	User-defined offset function.....	391
23.5.8	Temperature sensor.....	392
23.5.9	MCU wait mode operation.....	393
23.5.10	MCU Normal Stop mode operation.....	393
23.5.11	MCU Low-Power Stop mode operation.....	394
23.6	Initialization information.....	395
23.6.1	ADC module initialization example.....	395
23.7	Application information.....	397
23.7.1	External pins and routing.....	397
23.7.2	Sources of error.....	399

Chapter 24 Comparator (CMP)

24.1	Chip-specific CMP information.....	405
24.1.1	CMP instantiation information.....	405

Section number	Title	Page
24.1.2	CMP input connections.....	405
24.1.3	CMP external references.....	406
24.1.4	CMP trigger mode.....	406
24.2	Introduction.....	407
24.2.1	CMP features.....	407
24.2.2	6-bit DAC key features.....	408
24.2.3	ANMUX key features.....	408
24.2.4	CMP, DAC and ANMUX diagram.....	408
24.2.5	CMP block diagram.....	409
24.3	Memory map/register definitions.....	411
24.3.1	CMP Control Register 0 (CMP _x _CR0).....	411
24.3.2	CMP Control Register 1 (CMP _x _CR1).....	412
24.3.3	CMP Filter Period Register (CMP _x _FPR).....	413
24.3.4	CMP Status and Control Register (CMP _x _SCR).....	414
24.3.5	DAC Control Register (CMP _x _DACCR).....	415
24.3.6	MUX Control Register (CMP _x _MUXCR).....	415
24.4	Functional description.....	416
24.4.1	CMP functional modes.....	417
24.4.2	Power modes.....	420
24.4.3	Startup and operation.....	421
24.4.4	Low-pass filter.....	422
24.5	CMP interrupts.....	424
24.6	DMA support.....	424
24.7	CMP Asynchronous DMA support.....	424
24.8	Digital-to-analog converter.....	425
24.9	DAC functional description.....	425
24.9.1	Voltage reference source select.....	425
24.10	DAC resets.....	426
24.11	DAC clocks.....	426

Section number	Title	Page
24.12	DAC interrupts.....	426
24.13	CMP Trigger Mode.....	426

Chapter 25 12-bit Digital-to-Analog Converter (DAC)

25.1	Introduction.....	427
25.2	Features.....	427
25.3	Block diagram.....	427
25.4	Memory map/register definition.....	428
25.4.1	DAC Data Low Register (DACx_DATnL).....	429
25.4.2	DAC Data High Register (DACx_DATnH).....	429
25.4.3	DAC Status Register (DACx_SR).....	430
25.4.4	DAC Control Register (DACx_C0).....	431
25.4.5	DAC Control Register 1 (DACx_C1).....	432
25.4.6	DAC Control Register 2 (DACx_C2).....	432
25.5	Functional description.....	433
25.5.1	DAC data buffer operation.....	433
25.5.2	DMA operation.....	435
25.5.3	Resets.....	435
25.5.4	Low-Power mode operation.....	435

Chapter 26 Voltage Reference (VREFV1)

26.1	Introduction.....	437
26.1.1	Overview.....	438
26.1.2	Features.....	438
26.1.3	Modes of Operation.....	438
26.1.4	VREF Signal Descriptions.....	439
26.2	Memory Map and Register Definition.....	439
26.2.1	VREF Trim Register (VREF_TRM).....	440
26.2.2	VREF Status and Control Register (VREF_SC).....	441

Section number	Title	Page
26.3	Functional Description.....	442
26.3.1	Voltage Reference Disabled, SC[VREFEN] = 0.....	442
26.3.2	Voltage Reference Enabled, SC[VREFEN] = 1.....	442
26.4	Internal voltage regulator.....	444
26.5	Initialization/Application Information.....	444

Chapter 27 Multipurpose Clock Generator Lite (MCG_Lite)

27.1	Introduction	447
27.1.1	Features	447
27.1.2	Block diagram	448
27.2	Memory map and register definition.....	448
27.2.1	MCG Control Register 1 (MCG_C1).....	449
27.2.2	MCG Control Register 2 (MCG_C2).....	450
27.2.3	MCG Status Register (MCG_S).....	451
27.2.4	MCG Status and Control Register (MCG_SC).....	451
27.2.5	MCG Miscellaneous Control Register (MCG_MC).....	452
27.3	Functional description.....	453
27.3.1	Clock mode switching	453
27.3.2	LIRC divider 1	454
27.3.3	LIRC divider 2	454
27.3.4	Enable LIRC in Stop mode	454
27.3.5	MCG-Lite in Low-power mode	454
27.3.6	HIRC USB recovery	455

Chapter 28 Oscillator (OSC)

28.1	Chip-specific OSC information.....	457
28.1.1	OSC modes of operation with MCG_Lite and RTC.....	457
28.2	Introduction.....	457
28.3	Features and Modes.....	457

Section number	Title	Page
28.4	Block Diagram.....	458
28.5	OSC Signal Descriptions.....	459
28.6	External Crystal / Resonator Connections.....	459
28.7	External Clock Connections.....	461
28.8	Memory Map/Register Definitions.....	461
28.8.1	OSC Memory Map/Register Definition.....	462
28.9	Functional Description.....	463
28.9.1	OSC module states.....	463
28.9.2	OSC module modes.....	465
28.9.3	Counter.....	467
28.9.4	Reference clock pin requirements.....	467
28.10	Reset.....	467
28.11	Low power modes operation.....	468
28.12	Interrupts.....	468

Chapter 29

Timer/PWM Module (TPM)

29.1	Chip-specific TPM information.....	469
29.1.1	TPM instantiation information.....	469
29.1.2	Clock options.....	470
29.1.3	Trigger options.....	470
29.1.4	Global timebase.....	471
29.1.5	TPM interrupts.....	471
29.2	Introduction.....	472
29.2.1	TPM Philosophy.....	472
29.2.2	Features.....	472
29.2.3	Modes of operation.....	473
29.2.4	Block diagram.....	473
29.3	TPM Signal Descriptions.....	474
29.3.1	TPM_EXTCLK — TPM External Clock.....	474

Section number	Title	Page
29.3.2	TPM_CHn — TPM Channel (n) I/O Pin.....	475
29.4	Memory Map and Register Definition.....	475
29.4.1	Status and Control (TPM _x _SC).....	477
29.4.2	Counter (TPM _x _CNT).....	478
29.4.3	Modulo (TPM _x _MOD).....	479
29.4.4	Channel (n) Status and Control (TPM _x _CnSC).....	480
29.4.5	Channel (n) Value (TPM _x _CnV).....	482
29.4.6	Capture and Compare Status (TPM _x _STATUS).....	482
29.4.7	Channel Polarity (TPM _x _POL).....	484
29.4.8	Configuration (TPM _x _CONF).....	485
29.5	Functional description.....	488
29.5.1	Clock domains.....	488
29.5.2	Prescaler.....	489
29.5.3	Counter.....	489
29.5.4	Input Capture Mode.....	492
29.5.5	Output Compare Mode.....	493
29.5.6	Edge-Aligned PWM (EPWM) Mode.....	494
29.5.7	Center-Aligned PWM (CPWM) Mode.....	496
29.5.8	Registers Updated from Write Buffers.....	498
29.5.9	DMA.....	498
29.5.10	Output triggers.....	499
29.5.11	Reset Overview.....	499
29.5.12	TPM Interrupts.....	500

Chapter 30 Periodic Interrupt Timer (PIT)

30.1	Chip-specific PIT information.....	501
30.1.1	PIT/DMA periodic trigger assignments	501
30.1.2	PIT/ADC triggers.....	501
30.1.3	PIT/TPM triggers.....	501

Section number	Title	Page
30.1.4	PIT/DAC triggers.....	501
30.2	Introduction.....	502
30.2.1	Block diagram.....	502
30.2.2	Features.....	502
30.3	Signal description.....	503
30.4	Memory map/register description.....	503
30.4.1	PIT Module Control Register (PIT_MCR).....	504
30.4.2	PIT Upper Lifetime Timer Register (PIT_LTMR64H).....	505
30.4.3	PIT Lower Lifetime Timer Register (PIT_LTMR64L).....	505
30.4.4	Timer Load Value Register (PIT_LDVAL n).....	506
30.4.5	Current Timer Value Register (PIT_CVAL n).....	506
30.4.6	Timer Control Register (PIT_TCTRL n).....	507
30.4.7	Timer Flag Register (PIT_TFLG n).....	508
30.5	Functional description.....	508
30.5.1	General operation.....	508
30.5.2	Interrupts.....	510
30.5.3	Chained timers.....	510
30.6	Initialization and application information.....	510
30.7	Example configuration for chained timers.....	511
30.8	Example configuration for the lifetime timer.....	512

Chapter 31 Low-Power Timer (LPTMR)

31.1	Chip-specific LPTMR information.....	515
31.1.1	LPTMR instantiation information.....	515
31.1.2	LPTMR pulse counter input options.....	515
31.1.3	LPTMR prescaler/glitch filter clocking options.....	515
31.2	Introduction.....	516
31.2.1	Features.....	516
31.2.2	Modes of operation.....	517

Section number	Title	Page
31.3	LPTMR signal descriptions.....	517
31.3.1	Detailed signal descriptions.....	517
31.4	Memory map and register definition.....	518
31.4.1	Low Power Timer Control Status Register (LPTMR _x _CSR).....	518
31.4.2	Low Power Timer Prescale Register (LPTMR _x _PSR).....	519
31.4.3	Low Power Timer Compare Register (LPTMR _x _CMR).....	521
31.4.4	Low Power Timer Counter Register (LPTMR _x _CNR).....	521
31.5	Functional description.....	522
31.5.1	LPTMR power and reset.....	522
31.5.2	LPTMR clocking.....	522
31.5.3	LPTMR prescaler/glitch filter.....	523
31.5.4	LPTMR compare.....	524
31.5.5	LPTMR counter.....	524
31.5.6	LPTMR hardware trigger.....	525
31.5.7	LPTMR interrupt.....	525

Chapter 32 Real Time Clock (RTC)

32.1	Chip-specific RTC information.....	527
32.1.1	RTC Instantiation Information.....	527
32.1.2	RTC_CLKOUT options.....	527
32.2	Introduction.....	527
32.2.1	Features.....	527
32.2.2	Modes of operation.....	528
32.2.3	RTC signal descriptions.....	528
32.3	Register definition.....	528
32.3.1	RTC Time Seconds Register (RTC_TSR).....	529
32.3.2	RTC Time Prescaler Register (RTC_TPR).....	529
32.3.3	RTC Time Alarm Register (RTC_TAR).....	530
32.3.4	RTC Time Compensation Register (RTC_TCR).....	530

Section number	Title	Page
32.3.5	RTC Control Register (RTC_CR).....	532
32.3.6	RTC Status Register (RTC_SR).....	534
32.3.7	RTC Lock Register (RTC_LR).....	535
32.3.8	RTC Interrupt Enable Register (RTC_IER).....	536
32.4	Functional description.....	537
32.4.1	Power, clocking, and reset.....	537
32.4.2	Time counter.....	538
32.4.3	Compensation.....	538
32.4.4	Time alarm.....	539
32.4.5	Update mode.....	539
32.4.6	Register lock.....	540
32.4.7	Interrupt.....	540

Chapter 33 Universal Serial Bus (USB) FS Subsystem

33.1	Chip-specific USBFS information.....	541
33.1.1	Universal Serial Bus (USB) FS Subsystem.....	541
33.1.2	USB Wakeup.....	541
33.1.3	USB Power Distribution.....	542
33.1.4	USB power management.....	544
33.2	Introduction.....	544
33.2.1	References.....	544
33.2.2	USB.....	545
33.2.3	USBFS Features.....	546
33.3	Functional description.....	546
33.3.1	Data Structures.....	546
33.3.2	On-chip transceiver required external components.....	546
33.4	Programmers interface.....	548
33.4.1	Buffer Descriptor Table.....	548
33.4.2	USB data transfers—Receive (Rx) and Transmit (Tx).....	549

Section number	Title	Page
33.4.3	Addressing BDT entries.....	550
33.4.4	Buffer Descriptors (BDs).....	550
33.4.5	USB transaction.....	553
33.5	Memory map/Register definitions.....	555
33.5.1	Peripheral ID register (USB _x _PERID).....	557
33.5.2	Peripheral ID Complement register (USB _x _IDCOMP).....	557
33.5.3	Peripheral Revision register (USB _x _REV).....	558
33.5.4	Peripheral Additional Info register (USB _x _ADDINFO).....	558
33.5.5	Interrupt Status register (USB _x _ISTAT).....	559
33.5.6	Interrupt Enable register (USB _x _INTEN).....	560
33.5.7	Error Interrupt Status register (USB _x _ERRSTAT).....	561
33.5.8	Error Interrupt Enable register (USB _x _ERREN).....	562
33.5.9	Status register (USB _x _STAT).....	563
33.5.10	Control register (USB _x _CTL).....	564
33.5.11	Address register (USB _x _ADDR).....	565
33.5.12	BDT Page register 1 (USB _x _BDTPAGE1).....	565
33.5.13	Frame Number register Low (USB _x _FRMNUML).....	566
33.5.14	Frame Number register High (USB _x _FRMNUMH).....	566
33.5.15	BDT Page Register 2 (USB _x _BDTPAGE2).....	567
33.5.16	BDT Page Register 3 (USB _x _BDTPAGE3).....	567
33.5.17	Endpoint Control register (USB _x _ENDPT _n).....	568
33.5.18	USB Control register (USB _x _USBCTRL).....	569
33.5.19	USB OTG Observe register (USB _x _OBSERVE).....	569
33.5.20	USB OTG Control register (USB _x _CONTROL).....	570
33.5.21	USB Transceiver Control register 0 (USB _x _USBTRC0).....	571
33.5.22	Frame Adjust Register (USB _x _USBFRMADJUST).....	572
33.5.23	USB Clock recovery control (USB _x _CLK_RECOVER_CTRL).....	572
33.5.24	IRC48M oscillator enable register (USB _x _CLK_RECOVER_IRC_EN).....	573
33.5.25	Clock recovery combined interrupt enable (USB _x _CLK_RECOVER_INT_EN).....	574

Section number	Title	Page
33.5.26	Clock recovery separated interrupt status (USB _x _CLK_RECOVER_INT_STATUS).....	575
33.6	Device mode IRC48 operation.....	575

Chapter 34 USB Voltage Regulator (VREG)

34.1	Introduction.....	577
34.1.1	Overview.....	577
34.1.2	Features.....	578
34.1.3	Modes of Operation.....	579
34.2	USB Voltage Regulator Module Signal Descriptions.....	579

Chapter 35 Serial Peripheral Interface (SPI)

35.1	Chip-specific SPI information.....	581
35.2	Introduction.....	581
35.2.1	Features.....	582
35.2.2	Modes of operation.....	582
35.2.3	Block diagrams.....	583
35.3	External signal description.....	586
35.3.1	SPSCK — SPI Serial Clock.....	587
35.3.2	MOSI — Master Data Out, Slave Data In.....	587
35.3.3	MISO — Master Data In, Slave Data Out.....	587
35.3.4	SS — Slave Select.....	587
35.4	Memory map/register definition.....	588
35.4.1	SPI Status Register (SPI _x _S).....	588
35.4.2	SPI Baud Rate Register (SPI _x _BR).....	592
35.4.3	SPI Control Register 2 (SPI _x _C2).....	593
35.4.4	SPI Control Register 1 (SPI _x _C1).....	595
35.4.5	SPI Match Register low (SPI _x _ML).....	596
35.4.6	SPI match register high (SPI _x _MH).....	597
35.4.7	SPI Data Register low (SPI _x _DL).....	597

Section number	Title	Page
35.4.8	SPI data register high (SPIx_DH).....	598
35.4.9	SPI clear interrupt register (SPIx_CI).....	599
35.4.10	SPI control register 3 (SPIx_C3).....	600
35.5	Functional description.....	602
35.5.1	General.....	602
35.5.2	Master mode.....	602
35.5.3	Slave mode.....	604
35.5.4	SPI FIFO Mode.....	605
35.5.5	SPI Transmission by DMA.....	606
35.5.6	Data Transmission Length.....	608
35.5.7	SPI clock formats.....	609
35.5.8	SPI baud rate generation.....	612
35.5.9	Special features.....	612
35.5.10	Error conditions.....	614
35.5.11	Low-power mode options.....	615
35.5.12	Reset.....	616
35.5.13	Interrupts.....	617
35.6	Initialization/application information.....	619
35.6.1	Initialization sequence.....	619
35.6.2	Pseudo-Code Example.....	620

Chapter 36

Inter-Integrated Circuit (I2C)

36.1	Chip-specific I2C information.....	625
36.1.1	I2C instantiation information.....	625
36.2	Introduction.....	625
36.2.1	Features.....	626
36.2.2	Modes of operation.....	626
36.2.3	Block diagram.....	627
36.3	I2C signal descriptions.....	627

Section number	Title	Page
36.4	Memory map/register definition.....	628
36.4.1	I2C Address Register 1 (I2Cx_A1).....	629
36.4.2	I2C Frequency Divider register (I2Cx_F).....	629
36.4.3	I2C Control Register 1 (I2Cx_C1).....	630
36.4.4	I2C Status register (I2Cx_S).....	632
36.4.5	I2C Data I/O register (I2Cx_D).....	634
36.4.6	I2C Control Register 2 (I2Cx_C2).....	634
36.4.7	I2C Programmable Input Glitch Filter Register (I2Cx_FLT).....	635
36.4.8	I2C Range Address register (I2Cx_RA).....	637
36.4.9	I2C SMBus Control and Status register (I2Cx_SMB).....	637
36.4.10	I2C Address Register 2 (I2Cx_A2).....	639
36.4.11	I2C SCL Low Timeout Register High (I2Cx_SLTH).....	639
36.4.12	I2C SCL Low Timeout Register Low (I2Cx_SLTL).....	640
36.4.13	I2C Status register 2 (I2Cx_S2).....	640
36.5	Functional description.....	641
36.5.1	I2C protocol.....	641
36.5.2	10-bit address.....	646
36.5.3	Address matching.....	648
36.5.4	System management bus specification.....	649
36.5.5	Resets.....	651
36.5.6	Interrupts.....	651
36.5.7	Programmable input glitch filter.....	654
36.5.8	Address matching wake-up.....	654
36.5.9	DMA support.....	655
36.5.10	Double buffering mode.....	656
36.6	Initialization/application information.....	657

Chapter 37

Low Power Universal asynchronous receiver/transmitter (LPUART)

37.1	Chip-specific LPUART information.....	661
------	---------------------------------------	-----

Section number	Title	Page
37.1.1	LPUART0 and LPUART1 overview.....	661
37.2	Introduction.....	661
37.2.1	Features.....	661
37.2.2	Modes of operation.....	662
37.2.3	Signal Descriptions.....	663
37.2.4	Block diagram.....	663
37.3	Register definition.....	665
37.3.1	LPUART Baud Rate Register (LPUART _x _BAUD).....	666
37.3.2	LPUART Status Register (LPUART _x _STAT).....	668
37.3.3	LPUART Control Register (LPUART _x _CTRL).....	672
37.3.4	LPUART Data Register (LPUART _x _DATA).....	677
37.3.5	LPUART Match Address Register (LPUART _x _MATCH).....	679
37.4	Functional description.....	679
37.4.1	Baud rate generation.....	679
37.4.2	Transmitter functional description.....	680
37.4.3	Receiver functional description.....	682
37.4.4	Additional LPUART functions.....	687
37.4.5	Interrupts and status flags.....	689

Chapter 38 Universal Asynchronous Receiver/Transmitter(UART)

38.1	Chip-specific UART information.....	691
38.1.1	UART2 Overview.....	691
38.2	Introduction.....	691
38.2.1	Features.....	691
38.2.2	Modes of operation.....	693
38.3	UART signal descriptions.....	694
38.3.1	Detailed signal descriptions.....	694
38.4	Memory map and registers.....	694
38.4.1	UART Baud Rate Registers: High (UART _x _BDH).....	696

Section number	Title	Page
38.4.2	UART Baud Rate Registers: Low (UARTx_BDL).....	697
38.4.3	UART Control Register 1 (UARTx_C1).....	697
38.4.4	UART Control Register 2 (UARTx_C2).....	699
38.4.5	UART Status Register 1 (UARTx_S1).....	701
38.4.6	UART Status Register 2 (UARTx_S2).....	703
38.4.7	UART Control Register 3 (UARTx_C3).....	705
38.4.8	UART Data Register (UARTx_D).....	706
38.4.9	UART Match Address Registers 1 (UARTx_MA1).....	707
38.4.10	UART Match Address Registers 2 (UARTx_MA2).....	708
38.4.11	UART Control Register 4 (UARTx_C4).....	708
38.4.12	UART Control Register 5 (UARTx_C5).....	709
38.4.13	UART 7816 Control Register (UARTx_C7816).....	710
38.4.14	UART 7816 Interrupt Enable Register (UARTx_IE7816).....	711
38.4.15	UART 7816 Interrupt Status Register (UARTx_IS7816).....	713
38.4.16	UART 7816 Wait Parameter Register (UARTx_WP7816).....	715
38.4.17	UART 7816 Wait N Register (UARTx_WN7816).....	715
38.4.18	UART 7816 Wait FD Register (UARTx_WF7816).....	716
38.4.19	UART 7816 Error Threshold Register (UARTx_ET7816).....	716
38.4.20	UART 7816 Transmit Length Register (UARTx_TL7816).....	717
38.4.21	UART 7816 ATR Duration Timer Register A (UARTx_AP7816A_T0).....	717
38.4.22	UART 7816 ATR Duration Timer Register B (UARTx_AP7816B_T0).....	718
38.4.23	UART 7816 Wait Parameter Register A (UARTx_WP7816A_T0).....	719
38.4.24	UART 7816 Wait Parameter Register A (UARTx_WP7816A_T1).....	719
38.4.25	UART 7816 Wait Parameter Register B (UARTx_WP7816B_T0).....	720
38.4.26	UART 7816 Wait Parameter Register B (UARTx_WP7816B_T1).....	720
38.4.27	UART 7816 Wait and Guard Parameter Register (UARTx_WGP7816_T1).....	721
38.4.28	UART 7816 Wait Parameter Register C (UARTx_WP7816C_T1).....	721
38.5	Functional description.....	722
38.5.1	Transmitter.....	722

Section number	Title	Page
38.5.2	Receiver.....	726
38.5.3	Baud rate generation.....	738
38.5.4	Data format (non ISO-7816).....	740
38.5.5	Single-wire operation.....	743
38.5.6	Loop operation.....	743
38.5.7	ISO-7816/smartcard support.....	744
38.6	Reset.....	749
38.7	System level interrupt sources.....	749
38.7.1	RXEDGIF description.....	750
38.8	DMA operation.....	751
38.9	Application information.....	752
38.9.1	ISO-7816 initialization sequence.....	752
38.9.2	Initialization sequence (non ISO-7816).....	753
38.9.3	Overflow (OR) flag implications.....	754
38.9.4	Overflow NACK considerations.....	755
38.9.5	Match address registers.....	756
38.9.6	Clearing 7816 wait timer (WT, BWT, CWT) interrupts.....	756
38.9.7	Legacy and reverse compatibility considerations.....	756

Chapter 39 FlexIO

39.1	Chip-specific FlexIO information.....	759
39.1.1	FlexIO Instantiation.....	759
39.1.2	FlexIO Trigger options.....	759
39.2	Introduction.....	760
39.2.1	Overview.....	760
39.2.2	Features.....	760
39.2.3	Block Diagram.....	761
39.2.4	Modes of operation.....	761
39.2.5	FlexIO Signal Descriptions.....	762

Section number	Title	Page
39.3	Memory Map and Registers.....	762
39.3.1	Version ID Register (FLEXIO_VERID).....	764
39.3.2	Parameter Register (FLEXIO_PARAM).....	765
39.3.3	FlexIO Control Register (FLEXIO_CTRL).....	766
39.3.4	Shifter Status Register (FLEXIO_SHIFTSTAT).....	767
39.3.5	Shifter Error Register (FLEXIO_SHIFTEIEN).....	768
39.3.6	Timer Status Register (FLEXIO_TIMSTAT).....	768
39.3.7	Shifter Status Interrupt Enable (FLEXIO_SHIFTSIEN).....	769
39.3.8	Shifter Error Interrupt Enable (FLEXIO_SHIFTEIEN).....	770
39.3.9	Timer Interrupt Enable Register (FLEXIO_TIMIEN).....	770
39.3.10	Shifter Status DMA Enable (FLEXIO_SHIFTSDEN).....	771
39.3.11	Shifter Control N Register (FLEXIO_SHIFTCTLn).....	771
39.3.12	Shifter Configuration N Register (FLEXIO_SHIFTCFGn).....	773
39.3.13	Shifter Buffer N Register (FLEXIO_SHIFTBUFn).....	774
39.3.14	Shifter Buffer N Bit Swapped Register (FLEXIO_SHIFTBUFBISn).....	775
39.3.15	Shifter Buffer N Byte Swapped Register (FLEXIO_SHIFTBUFBYSn).....	775
39.3.16	Shifter Buffer N Bit Byte Swapped Register (FLEXIO_SHIFTBUFBBSn).....	776
39.3.17	Timer Control N Register (FLEXIO_TIMCTLn).....	776
39.3.18	Timer Configuration N Register (FLEXIO_TIMCFGn).....	778
39.3.19	Timer Compare N Register (FLEXIO_TIMCMPn).....	780
39.4	Functional description.....	781
39.4.1	Shifter operation.....	781
39.4.2	Timer operation.....	783
39.4.3	Pin operation.....	785
39.5	Application Information.....	786
39.5.1	UART Transmit.....	786
39.5.2	UART Receive.....	787
39.5.3	SPI Master.....	789
39.5.4	SPI Slave.....	791

Section number	Title	Page
39.5.5	I2C Master.....	793
39.5.6	I2S Master.....	795
39.5.7	I2S Slave.....	796

Chapter 40 General-Purpose Input/Output (GPIO)

40.1	Chip-specific GPIO information.....	799
40.1.1	GPIO instantiation information.....	799
40.1.2	GPIO accessibility in the memory map.....	799
40.2	Introduction.....	800
40.2.1	Features.....	800
40.2.2	Modes of operation.....	800
40.2.3	GPIO signal descriptions.....	800
40.3	Memory map and register definition.....	802
40.3.1	Port Data Output Register (GPIOx_PDOR).....	803
40.3.2	Port Set Output Register (GPIOx_PSOR).....	804
40.3.3	Port Clear Output Register (GPIOx_PCOR).....	804
40.3.4	Port Toggle Output Register (GPIOx_PTOR).....	805
40.3.5	Port Data Input Register (GPIOx_PDIR).....	805
40.3.6	Port Data Direction Register (GPIOx_PDDR).....	806
40.4	FGPIO memory map and register definition.....	806
40.4.1	Port Data Output Register (FGPIOx_PDOR).....	808
40.4.2	Port Set Output Register (FGPIOx_PSOR).....	809
40.4.3	Port Clear Output Register (FGPIOx_PCOR).....	809
40.4.4	Port Toggle Output Register (FGPIOx_PTOR).....	810
40.4.5	Port Data Input Register (FGPIOx_PDIR).....	810
40.4.6	Port Data Direction Register (FGPIOx_PDDR).....	811
40.5	Functional description.....	811
40.5.1	General-purpose input.....	811
40.5.2	General-purpose output.....	811

Section number	Title	Page
40.5.3	IOPORT.....	812

Chapter 41 LCD Controller (SLCD)

41.1	Chip-specific SLCD information.....	813
41.1.1	Overview.....	813
41.1.2	LCD clock source.....	813
41.1.3	Segment LCD Interrupts.....	814
41.2	Introduction	814
41.2.1	Features.....	814
41.2.2	Modes of operation.....	815
41.2.3	Block diagram.....	816
41.3	LCD signal descriptions.....	817
41.3.1	LCD_P[63:0].....	818
41.3.2	VLL1, VLL2, VLL3.....	818
41.3.3	Vcap1, Vcap2.....	818
41.4	Memory map and register definition.....	818
41.4.1	LCD General Control Register (LCD_GCR).....	820
41.4.2	LCD Auxiliary Register (LCD_AR).....	824
41.4.3	LCD Fault Detect Control Register (LCD_FDCR).....	826
41.4.4	LCD Fault Detect Status Register (LCD_FDSR).....	828
41.4.5	LCD Pin Enable register (LCD_PEN n).....	829
41.4.6	LCD Back Plane Enable register (LCD_BPEN n).....	830
41.4.7	LCD Waveform register (LCD_WF3TO0).....	830
41.4.8	LCD Waveform register (LCD_WF7TO4).....	831
41.4.9	LCD Waveform register (LCD_WF11TO8).....	832
41.4.10	LCD Waveform register (LCD_WF15TO12).....	833
41.4.11	LCD Waveform register (LCD_WF19TO16).....	833
41.4.12	LCD Waveform register (LCD_WF23TO20).....	834
41.4.13	LCD Waveform register (LCD_WF27TO24).....	834

Section number	Title	Page
41.4.14	LCD Waveform register (LCD_WF31TO28).....	835
41.4.15	LCD Waveform register (LCD_WF35TO32).....	835
41.4.16	LCD Waveform register (LCD_WF39TO36).....	836
41.4.17	LCD Waveform register (LCD_WF43TO40).....	837
41.4.18	LCD Waveform register (LCD_WF47TO44).....	837
41.4.19	LCD Waveform register (LCD_WF51TO48).....	838
41.4.20	LCD Waveform register (LCD_WF55TO52).....	838
41.4.21	LCD Waveform register (LCD_WF59TO56).....	839
41.4.22	LCD Waveform register (LCD_WF63TO60).....	839
41.5	Functional description.....	840
41.5.1	LCD controller driver description.....	841
41.5.2	WFyTOx registers.....	849
41.5.3	LCD display modes.....	850
41.5.4	LCD charge pump and power supply operation.....	852
41.5.5	Resets.....	855
41.5.6	Interrupts.....	856
41.5.7	LCD display fault detect circuit (LFD).....	856
41.6	Initialization section.....	863
41.6.1	Initialization sequence.....	863
41.6.2	Initialization examples.....	864
41.7	Application information.....	867
41.7.1	LCD seven segment example description.....	868
41.7.2	LCD contrast control.....	871

Chapter 42 Bit Manipulation Engine (BME)

42.1	Introduction.....	873
42.1.1	Overview.....	874
42.1.2	Features.....	874
42.1.3	Modes of operation.....	875

Section number	Title	Page
42.2	Memory map and register definition.....	875
42.3	Functional description.....	875
42.3.1	BME decorated stores.....	876
42.3.2	BME decorated loads.....	883
42.3.3	Additional details on decorated addresses and GPIO accesses.....	889
42.4	Application information.....	890

Chapter 43 Micro Trace Buffer (MTB)

43.1	Introduction.....	893
43.1.1	Overview.....	893
43.1.2	Features.....	896
43.1.3	Modes of operation.....	897
43.2	External signal description.....	897
43.3	Memory map and register definition.....	898
43.3.1	MTB_RAM Memory Map.....	898
43.3.2	MTB_DWT Memory Map.....	910
43.3.3	System ROM Memory Map.....	920

Chapter 44 Flash Memory Controller (FMC)

44.1	Introduction.....	925
44.1.1	Overview.....	925
44.1.2	Features.....	925
44.2	Modes of operation.....	926
44.3	External signal description.....	926
44.4	Memory map and register descriptions.....	926
44.5	Functional description.....	926

Chapter 45 Flash Memory Module (FTFA)

45.1	Introduction.....	929
45.1.1	Features.....	929

Section number	Title	Page
45.1.2	Block Diagram.....	930
45.1.3	Glossary.....	931
45.2	External Signal Description.....	932
45.3	Memory Map and Registers.....	932
45.3.1	Flash Configuration Field Description.....	933
45.3.2	Program Flash IFR Map.....	933
45.3.3	Register Descriptions.....	934
45.4	Functional Description.....	943
45.4.1	Flash Protection.....	943
45.4.2	Interrupts.....	944
45.4.3	Flash Operation in Low-Power Modes.....	945
45.4.4	Functional Modes of Operation.....	945
45.4.5	Flash Reads and Ignored Writes.....	945
45.4.6	Read While Write (RWW).....	946
45.4.7	Flash Program and Erase.....	946
45.4.8	Flash Command Operations.....	946
45.4.9	Margin Read Commands.....	952
45.4.10	Flash Command Description.....	953
45.4.11	Security.....	969
45.4.12	Reset Sequence.....	971



Chapter 1

About This Document

1.1 Overview

1.1.1 Purpose

This document describes the features, architecture, and programming model of the NXP K32 L2B microcontroller.

1.1.2 Audience

A reference manual is primarily for system architects and software application developers who are using or considering using a NXP product in a system.

1.2 Conventions

1.2.1 Numbering systems

The following suffixes identify different numbering systems:

This suffix	Identifies a
b	Binary number. For example, the binary equivalent of the number 5 is written 101b. In some cases, binary numbers are shown with the prefix <i>0b</i> .
d	Decimal number. Decimal numbers are followed by this suffix only when the possibility of confusion exists. In general, decimal numbers are shown without a suffix.
h	Hexadecimal number. For example, the hexadecimal equivalent of the number 60 is written 3Ch. In some cases, hexadecimal numbers are shown with the prefix <i>0x</i> .

1.2.2 Typographic notation

The following typographic notation is used throughout this document:

Example	Description
<i>placeholder, x</i>	Items in italics are placeholders for information that you provide. Italicized text is also used for the titles of publications and for emphasis. Plain lowercase letters are also used as placeholders for single letters and numbers.
code	Fixed-width type indicates text that must be typed exactly as shown. It is used for instruction mnemonics, directives, symbols, subcommands, parameters, and operators. Fixed-width type is also used for example code. Instruction mnemonics and directives in text and tables are shown in all caps; for example, BSR.
SR[SCM]	A mnemonic in brackets represents a named field in a register. This example refers to the Scaling Mode (SCM) field in the Status Register (SR).
REVNO[6:4], XAD[7:0]	Numbers in brackets and separated by a colon represent either: <ul style="list-style-type: none"> • A subset of a register's named field For example, REVNO[6:4] refers to bits 6–4 that are part of the COREREV field that occupies bits 6–0 of the REVNO register. • A continuous range of individual signals of a bus For example, XAD[7:0] refers to signals 7–0 of the XAD bus.

1.2.3 Special terms

The following terms have special meanings:

Term	Meaning
asserted	Refers to the state of a signal as follows: <ul style="list-style-type: none"> • An active-high signal is asserted when high (1). • An active-low signal is asserted when low (0).
deasserted	Refers to the state of a signal as follows: <ul style="list-style-type: none"> • An active-high signal is deasserted when low (0). • An active-low signal is deasserted when high (1). <p>In some cases, deasserted signals are described as <i>negated</i>.</p>
reserved	Refers to a memory space, register, or field that is either reserved for future use or for which, when written to, the module or chip behavior is unpredictable.

Chapter 2

Introduction

2.1 Overview

Information found here provides an overview of the K32 L-series of Arm[®] Cortex[®]-M0+ MCUs and K32 L2B product family. It also presents high-level descriptions of the modules available on the devices covered by this document.

2.1.1 Sub-family introduction

The device is highly-integrated, market leading ultra low-power 32-bit microcontroller based on the enhanced Cortex-M0+ (CM0+) core platform. The features of the family derivatives are as follows.

- Core platform clock up to 48 MHz, bus clock up to 24 MHz
- Memory option is up to 256 KB flash and 32 KB RAM
- Wide operating voltage ranges from 1.71–3.6 V with fully functional flash program/erase/read operations
- Multiple package options from 32-pin to 64-pin
- Ambient operating temperature ranges from –40 °C to 105 °C.

The family acts as an ultra low-power, cost-effective microcontroller to provide developers an appropriate entry-level 32-bit solution. The family is the next-generation MCU solution for low-cost, low-power, high-performance devices applications. It's valuable for cost-sensitive, portable applications requiring long battery life-time.

2.2 Module functional categories

The modules on this device are grouped into functional categories. Information found here describes the modules assigned to each category in more detail.

Table 2-1. Module functional categories

Module category	Description
Arm Cortex-M0+ core	<ul style="list-style-type: none"> 32-bit MCU core from Arm's Cortex-M class, 1.77 CoreMark®/MHz from single-cycle access memories, 48 MHz CPU frequency
System	<ul style="list-style-type: none"> System integration module Power management and mode controllers <ul style="list-style-type: none"> Multiple power modes available based on run, wait, stop, and power-down modes Miscellaneous control module Low-leakage wakeup unit Peripheral bridge Direct memory access (DMA) controller with multiplexer to increase available DMA requests COP watchdog
Memories	<ul style="list-style-type: none"> Internal memories include: <ul style="list-style-type: none"> Up to 256 KB flash memory Up to 32 KB SRAM Up to 16 KB ROM
Clocks	<ul style="list-style-type: none"> Multiple clock generation options available from internally- and externally-generated clocks <ul style="list-style-type: none"> MCG-Lite with 48MIRC and 8M/2M IRC for systems and CPU clock sources. Low power 1 kHz RC oscillator for RTC and COP watchdog System oscillator to provide clock source for the MCU
Security	<ul style="list-style-type: none"> COP watchdog timer (COP)
Analog	<ul style="list-style-type: none"> 16-bit analog-to-digital converters with DMA supported and four muxed differential pairs Comparator (CMP) with internal 6-bit digital-to-analog converter (DAC) 12-bit DAC with DMA support and two 16-bit data buffer High accuracy 1.2 V voltage reference to provide a stable reference for ADC
Timers	<ul style="list-style-type: none"> One 6-channel TPM Two 2-channel TPMs 2-channel periodic interrupt timer Real time clock Low-power timer System tick timer
Communications	<ul style="list-style-type: none"> Two 16-bit serial peripheral interface USB controller with built-in FS transceiver USB voltage regulator Two inter-integrated circuit (I²C) modules Two low power UART modules and one UART module One FlexIO
Human-Machine Interfaces (HMI)	<ul style="list-style-type: none"> General purpose input/output controller Segment LCD Controller

2.2.1 Arm Cortex-M0+ core modules

The following core modules are available on this device.

Table 2-2. Core modules

Module	Description
Arm Cortex-M0+	The Arm Cortex-M0+ is the newest member of the Cortex M Series of processors targeting microcontroller applications focused on very cost sensitive, deterministic, interrupt driven environments. The Cortex M0+ processor is based on the ARMv6 Architecture and Thumb@-2 ISA and is 100% instruction set compatible with its predecessor, the Cortex-M0 core, and upward compatible to Cortex-M3 and M4 cores.
NVIC	The ARMv6-M exception model and nested-vector interrupt controller (NVIC) implement a relocatable vector table supporting many external interrupts, a single non-maskable interrupt (NMI), and priority levels. The NVIC replaces shadow registers with equivalent system and simplified programmability. The NVIC contains the address of the function to execute for a particular handler. The address is fetched via the instruction port allowing parallel register stacking and look-up. The first sixteen entries are allocated to Arm internal sources with the others mapping to MCU-defined interrupts.
AWIC	The primary function of the Asynchronous Wake-up Interrupt Controller (AWIC) is to detect asynchronous wake-up events in stop modes and signal to clock control logic to resume system clocking. After clock restart, the NVIC observes the pending interrupt and performs the normal interrupt or event processing.
Single-cycle I/O Port	For high-speed, single-cycle access to peripherals, the Cortex-M0+ processor implements a dedicated single-cycle I/O port.
Debug interfaces	Most of this device's debug is based on the Arm CoreSight™ architecture. One debug interface is supported: <ul style="list-style-type: none"> Serial Wire Debug (SWD)

2.2.2 System modules

The following system modules are available on this device.

Table 2-3. System modules

Module	Description
System integration module (SIM)	The SIM includes integration logic and several module configuration settings.
System mode controller (SMC)	The SMC provides control and protection on entry and exit to each power mode, control for the power management controller (PMC), and reset entry and exit for the complete MCU.
Power management controller (PMC)	The PMC provides the user with multiple power options. Multiple modes are supported that allow the user to optimize power consumption for the level of functionality needed. Includes power-on-reset (POR) and integrated low voltage detect (LVD) with reset (brownout) capability and selectable LVD trip points.

Table continues on the next page...

Table 2-3. System modules (continued)

Module	Description
Miscellaneous control module (MCM)	The MCM includes integration logic and details.
Crossbar switch lite (AXBS-Lite)	The AXBS connects bus masters and bus slaves, allowing all bus masters to access different bus slaves simultaneously and providing arbitration among the bus masters when they access the same slave.
Low-leakage wakeup unit (LLWU)	The LLWU module allows the device to wake from low leakage power modes (LLS and VLLS) through various internal peripheral and external pin sources.
Peripheral bridge (AIPS-Lite)	The peripheral bridge converts the crossbar switch interface to an interface to access a majority of peripherals on the device.
DMA multiplexer (DMAMUX)	The DMA multiplexer selects from many DMA requests down to 4 for the DMA controller.
Direct memory access (DMA) controller	The DMA controller provides programmable channels with transfer control descriptors for data movement via dual-address transfers for 8-, 16- and 32-bit data values.
Computer operating properly watchdog (WDOG)	The WDOG monitors internal system operation and forces a reset in case of failure. It can run from an independent 1 kHz low power oscillator, 8/2 MHz internal oscillator or external crystal oscillator with a programmable refresh window to detect deviations in program flow or system frequency.

2.2.3 Memories and memory interfaces

The following memories and memory interfaces are available on this device.

Table 2-4. Memories and memory interfaces

Module	Description
Flash memory	Program flash memory — up to 256 KB of the non-volatile flash memory that can execute program code.
Flash memory controller	Manages the interface between the device and the on-chip flash memory.
SRAM	32 KB internal system RAM.
ROM	16 KB ROM.

2.2.4 Clocks

The following clock modules are available on this device.

Table 2-5. Clock modules

Module	Description
Multipurpose Clock Generator Lite (MCG-Lite)	MCG Lite module containing a 48 MHz and an 8 or 2 MHz internal reference clock source.
System oscillator (OSC)	The system oscillator, in conjunction with an external crystal or resonator, generates a reference clock for the MCU.

2.2.5 Security and integrity modules

The following security and integrity modules are available on this device:

Table 2-6. Security and integrity modules

Module	Description
Watchdog timer (WDOG)	Watchdog timer keeps a watch on the system functioning and resets it in case of its failure.

2.2.6 Analog modules

The following analog modules are available on this device:

Table 2-7. Analog modules

Module	Description
Analog-to-digital converters (ADC)	16-bit successive-approximation ADC module.
Analog comparators	One comparator that compares two analog input voltages across the full range of the supply voltage and can trigger an ADC acquisition, TPM update, or CPU interrupt.
6-bit digital-to-analog converters (DAC)	64-tap resistor ladder network which provides a selectable voltage reference for comparator.
Voltage reference (VREF)	Supplies an accurate voltage output that is trimmable in 0.5 mV steps. The VREF can be used in medical applications, such as glucose meters, to provide a reference voltage to biosensors or as a reference to analog peripherals, such as the ADC, DAC, or CMP.
12-bit digital-to-analog converters (DAC)	Low-power general-purpose DAC, whose output can be placed on an external pin or set as one of the inputs to the analog comparator or ADC.

2.2.7 Timer modules

The following timer modules are available on this device:

Table 2-8. Timer modules

Module	Description
Timer/PWM module (TPM)	<ul style="list-style-type: none"> Selectable TPM clock mode Prescaler divide-by 1, 2, 4, 8, 16, 32, 64, or 128 16-bit free-running counter or modulo counter with counting be up or up-down configurable channels for input capture, output compare, edge-aligned PWM mode, or center-aligned PWM mode

Table continues on the next page...

Table 2-8. Timer modules (continued)

Module	Description
	<ul style="list-style-type: none"> • Support the generation of an interrupt and/or DMA request per channel • Support the generation of an interrupt and/or DMA request when the counter overflows • Support selectable trigger input to optionally reset or cause the counter to start incrementing. • Support the generation of hardware triggers when the counter overflows and per channel
Periodic interrupt timers (PIT)	<ul style="list-style-type: none"> • One general purpose interrupt timer • Interrupt timers for triggering ADC conversions • 32-bit counter resolution • Clocked by bus clock frequency • DMA support
Low power timer (LPTMR)	<ul style="list-style-type: none"> • 16-bit time counter or pulse counter with compare • Configurable clock source for prescaler/glitch filter • Configurable input source for pulse counter
Real Time Clock (RTC)	<ul style="list-style-type: none"> • 32-bit seconds counter with roll-over protection and 32-bit alarm • Software selectable clock sources for input to prescaler with programmable 16-bit prescaler <ul style="list-style-type: none"> • XOSC 32.678 kHz nominal • LPO (~1 kHz) • External RTC_CLKIN

2.2.8 Communication interfaces

The following communication interfaces are available on this device:

Table 2-9. Communication modules

Module	Description
USB controller with built-in FS transceiver	Dual-role USB controller that supports a full-speed (FS) device. The module complies with the USB 2.0 specification.
USB voltage regulator	Up to 5 V regulator input typically provided by USB VBUS power with 3.3 V regulated output that powers on-chip USB subsystem, capable of sourcing 120 mA to external board components.
Serial peripheral interface (SPI)	Synchronous serial bus for communication to an external device
Inter-integrated circuit (I2C)	Allows communication between a number of devices. Also supports the System Management Bus (SMBus) Specification, version 2.
Universal asynchronous receiver/transmitters (UART) and (LPUART)	Two low power UART modules that retains functional in stop modes. One UART module does not work in stop mode.
FlexIO	The FlexIO module is capable of supporting a wide range of protocols including, but not limited to--UART, I2C, SPI, I2S, Camera IF, LCD RGB, PWM / Waveform generation. The module can remain functional in VLPS mode provided the clock it is using remains enabled.

2.2.9 Human-machine interfaces

The following human-machine interfaces (HMI) are available on this device:

Table 2-10. HMI modules

Module	Description
General purpose input/output (GPIO)	Some general purpose input or output (GPIO) pins are capable of interrupt and DMA request generation.
Segment LCD controller	Generates the appropriate waveforms to drive multiplexed numeric, alpha-numeric, or custom LCD panels. Supports 3V LCD panels.

2.3 Module to module interconnects

2.3.1 Interconnection overview

The following table lists the module to module interconnections for this device.

Table 2-11. Module-to-module interconnects

Peripheral	Signal	—	to Peripheral	Use Case	Control	Comment
TPM1	CH0F, CH1F	to	ADC (Trigger)	ADC Triggering (A AND B)	SIM_SOPT7[ADC0ALTTTRGEN] = 0	Ch0 is A, and Ch1 is B, selecting this ADC trigger is for supporting A and B triggering. In Stop and VLPS modes, the second trigger must be set to >10 μ s after the first trigger
LPTMR	Hardware trigger	to	ADC (Trigger)	ADC Triggering (A or B)	SIM_SOPT7[ADC0TRGSEL] and SIM_SOPT7[ADC0PRETRGSEL] to select A or B	—
TPMx	TOF	to	ADC (Trigger)	ADC Triggering (A or B)	SIM_SOPT7[ADC0TRGSEL], SIM_SOPT7[ADC0PRETRGSEL] to select A or B	—
PIT CHx	TIF0, TIF1	to	ADC (Trigger)	ADC Triggering (A or B)	SIM_SOPT7[ADC0TRGSEL], SIM_SOPT7[ADC0PRETRGSEL] to select A or B	—
RTC	ALARM or SECONDS	to	ADC (Trigger)	ADC Triggering (A or B)	SIM_SOPT7[ADC0TRGSEL], SIM_SOPT7[ADC0PRETRGSEL] to select A or B	—
EXTRG_IN	EXTRG_IN	to	ADC (Trigger)	ADC Triggering (A or B)	SIM_SOPT7[ADC0TRGSEL], SIM_SOPT7[ADC0PRETRGSEL] to select A or B	—

Table continues on the next page...

Table 2-11. Module-to-module interconnects (continued)

Peripheral	Signal	—	to Peripheral	Use Case	Control	Comment
CMP0	CMP0_OUT	to	ADC (Trigger)	ADC Triggering (A or B)	SIM_SOPT7[ADC0TRGSEL], SIM_SOPT7[ADC0PRETRGSEL] to select A or B	—
CMP0	CMP0_OUT	to	LPTMR_ALT 0	Count CMP events	LPTMR_CSR[TPS]	—
CMP0	CMP0_OUT	to	TPM1 CH0	Input capture	SIM_SOPT4[TPM1CH0SRC]	—
CMP0	CMP0_OUT	to	TPM2 CH0	Input capture	SIM_SOPT4[TPM2CH0SRC]	—
CMP0	CMP0_OUT	to	LPUART0_RX X	IR interface	SIM_SOPT5[LPUART0RXSRC]	Uses for IR interface
CMP0	CMP0_OUT	to	LPUART1_RX X	IR Interface	SIM_SOPT5[LPUART1RXSRC]	Uses for IR interface
LPTMR	Hardware trigger	to	CMPx	Low power triggering of the comparator	CMP_CR1[TRIGM]	—
LPTMR	Hardware trigger	to	TPMx	TPM Trigger input	TPMx_CONF[TRGSEL] (4-bit field)	—
TPMx	TOF	to	TPMx	TPM Trigger input	TPMx_CONF[TRGSEL] (4-bit field)	—
TPM1	Timebase	to	TPMx	TPM Global timebase input	TPMx_CONF[GTBEEN]	—
PIT CHx	TIF0, TIF1	to	TPMx	TPM Trigger input	TPMx_CONF[TRGSEL] (4-bit field)	If PIT is triggering the TPM, the TPM clock must be faster than Bus clock.
RTC	ALARM or SECONDS	to	TPMx	TPM Trigger input	TPMx_CONF[TRGSEL] (4-bit field)	—
EXTRG_IN	EXTRG_IN	to	TPMx	TPM Trigger input	TPMx_CONF[TRGSEL] (4-bit field)	—
CMP0	CMP0_OUT	to	TPMx	TPM Trigger input	TPMx_CONF[TRGSEL] (4-bit field)	—
LPUART0	LPUART0_TX X	to	Modulated by TPM1 CH0	LPUART modulation	SIM_SOPT5[LPUART0TXSRC]	Uses for IR interface
LPUART0	LPUART0_TX X	to	Modulated by TPM2 CH0	LPUART modulation	SIM_SOPT5[LPUART0TXSRC]	Uses for IR interface
LPUART1	LPUART1_TX X	to	Modulated by TPM1 CH0	LPUART modulation	SIM_SOPT5[LPUART1TXSRC]	Uses for IR interface
LPUART1	LPUART1_TX X	to	Modulated by TPM2 CH0	LPUART modulation	SIM_SOPT5[LPUART1TXSRC]	Uses for IR interface
PIT	TIF0	to	DAC	Advance DAC FIFO	DAC HWTRG Select	—
PIT	TIF0	to	DMA CH0	DMA HW Trigger	DMA MUX register option	—
PIT	TIF1	to	DMA CH1	DMA HW Trigger	DMA MUX register option	—

Table 2-12. Module-to-FlexIO interconnects

Peripheral	Signal	—	to Peripheral	Use Case	Control	Comment
LPTMR	Hardware trigger	to	FlexIO	Trigger input	FlexIO_TIMCTLn[TRGSEL] (4-bit field)	—
TPMx	TOF	to	FlexIO	Trigger input	FlexIO_TIMCTLn[TRGSEL] (4-bit field)	—
PIT CHx	TIF0, TIF1	to	FlexIO	Trigger input	FlexIO_TIMCTLn[TRGSEL] (4-bit field)	If PIT is triggering the FlexIO, the FlexIO clock must be faster than Bus clock.
RTC	ALARM or SECONDS	to	FlexIO	Trigger input	FlexIO_TIMCTLn[TRGSEL] (4-bit field)	—
EXTRG_IN	EXTRG_IN	to	FlexIO	Trigger input	FlexIO_TIMCTLn[TRGSEL] (4-bit field)	—
CMP0	CMP0_OUT	to	FlexIO	Trigger input	FlexIO_TIMCTLn[TRGSEL] (4-bit field)	—

2.3.2 Analog reference options

Several analog blocks have selectable reference voltages as shown in the below table . These options allow analog peripherals to share or have separate analog references. Care should be taken when selecting analog references to avoid cross talk noise.

Table 2-13. Analog reference options

Module	Reference option	Comment/ Reference selection
16-bit SAR ADC	1 - VREFH or 1.2V VREF_OUT 2 - VDDA 3 - Reserved	Selected by ADCx_SC2[REFSEL]
12-bit DAC	1 - VREFH or 1.2V VREF_OUT 2 - VDDA ¹	Selected by DACx_C0[DACRFS] bit
CMP with 6-bit DAC	Vin1 - VREFH or 1.2V VREF_OUT Vin2 - VDD ¹	Selected by CMPx_DACCR[VRSEL]

1. Use this option for the best ADC operation.

NOTE

VREFH pin can be used as filter capacitor pin for high precision 1.2V VREF_OUT. When 1.2V VREF is enabled, VREFH is 1.2V VREF_OUT. Also, when 1.2V VREF module is enabled, adding supply to VREFH pad, which is a dedicated 1.2 VREF_OUT pad, from external is prohibited. If ADC or

DAC needs another reference voltage not equal to 1.2V at same time, second reference VDDA or VDD is required to be selected.

Chapter 3

Core Overview

3.1 Arm Cortex-M0+ core introduction

The enhanced Arm Cortex M0+ is the member of the Cortex-M Series of processors targeting microcontroller cores focused on very cost sensitive, low power applications. It has a single 32-bit AMBA AHB-Lite interface and includes an NVIC component. It also has hardware debug functionality including support for simple program trace capability. The processor supports the ARMv6-M instruction set (Thumb) architecture including all but three 16-bit Thumb opcodes (52 total) plus seven 32-bit instructions. It is upward compatible with other Cortex-M profile processors.

3.1.1 Buses, interconnects, and interfaces

The Arm Cortex-M0+ core has two bus interfaces:

- Single 32-bit AMBA-3 AHB-Lite system interface that provides connections to peripherals and all system memory, which includes flash memory and RAM
- Single 32-bit I/O port bus interfacing to the GPIO with 1-cycle loads and stores

3.1.2 System tick timer

The CLKSOURCE field in SysTick Control and Status register selects either the core clock (when CLKSOURCE = 1) or a divide-by-16 of the core clock (when CLKSOURCE = 0). Because the timing reference is a variable frequency, the TENMS field in the SysTick Calibration Value Register is always 0.

3.1.3 Debug facilities

This device supports standard Arm 2-pin SWD debug port.

3.1.4 Core privilege levels

The core on this device is implemented with both privileged and unprivileged levels. The Arm documentation uses different terms than this document to distinguish between privilege levels.

If you see this term...	it also means this term...
Privileged	Supervisor
Unprivileged or user	User

3.2 Nested vectored interrupt controller (NVIC)

3.2.1 Interrupt priority levels

This device supports four priority levels for interrupts. Therefore, in the NVIC, each source in the IPR registers contains two bits. For example, IPR0 is shown below:

	31	30	29	28	27	26	25	24	23	22	21	20	19	18	17	16	15	14	13	12	11	10	9	8	7	6	5	4	3	2	1	0
R	IRQ3							IRQ2							IRQ1							IRQ0										
W	0	0	0	0	0	0	0	0	0	0	0	0	0	0	0	0	0	0	0	0	0	0	0	0	0	0	0	0	0	0	0	

3.2.2 Non-maskable interrupt

The non-maskable interrupt request to the NVIC is controlled by the external $\overline{\text{NMI}}$ signal. The pin the $\overline{\text{NMI}}$ signal is multiplexed on, must be configured for the $\overline{\text{NMI}}$ function to generate the non-maskable interrupt request.

3.2.3 Interrupt channel assignments

The interrupt vector assignments are defined in the following table.

- Vector number — the value stored on the stack when an interrupt is serviced.
- IRQ number — non-core interrupt source count, which is the vector number minus 16.

The IRQ number is used within Arm's NVIC documentation.

NOTE

The NVIC wake-up sources in the following table support only down to VLPS.

Table 3-2. Interrupt vector assignments

Address	Vector	IRQ ¹	NVIC IPR register number ²	Source module	Source description
Arm core system handler vectors					
0x0000_0000	0	—	—	Arm core	Initial stack pointer
0x0000_0004	1	—	—	Arm core	Initial program counter
0x0000_0008	2	—	—	Arm core	Non-maskable interrupt (NMI)
0x0000_000C	3	—	—	Arm core	Hard fault
0x0000_0010	4	—	—	—	—
0x0000_0014	5	—	—	—	—
0x0000_0018	6	—	—	—	—
0x0000_001C	7	—	—	—	—
0x0000_0020	8	—	—	—	—
0x0000_0024	9	—	—	—	—
0x0000_0028	10	—	—	—	—
0x0000_002C	11	—	—	Arm core	Supervisor call (SVCall)
0x0000_0030	12	—	—	—	—
0x0000_0034	13	—	—	—	—
0x0000_0038	14	—	—	Arm core	Pendable request for system service (PendableSrvReq)
0x0000_003C	15	—	—	Arm core	System tick timer (SysTick)
Non-Core Vectors					
0x0000_0040	16	0	0	DMA	DMA channel 0 transfer complete and error
0x0000_0044	17	1	0	DMA	DMA channel 1 transfer complete and error
0x0000_0048	18	2	0	DMA	DMA channel 2 transfer complete and error
0x0000_004C	19	3	0	DMA	DMA channel 3 transfer complete and error
0x0000_0050	20	4	1	—	—
0x0000_0054	21	5	1	FTFA	Command complete and read collision
0x0000_0058	22	6	1	PMC	Low-voltage detect, low-voltage warning
0x0000_005C	23	7	1	LLWU	Low Leakage Wakeup
0x0000_0060	24	8	2	I ² C0	Status and Timeout and wakeup flags
0x0000_0064	25	9	2	I ² C1	Status and Timeout and wakeup flags
0x0000_0068	26	10	2	SPI0	Single interrupt vector for all sources
0x0000_006C	27	11	2	SPI1	Single interrupt vector for all sources
0x0000_0070	28	12	3	LPUART0	Status and error
0x0000_0074	29	13	3	LPUART1	Status and error
0x0000_0078	30	14	3	UART2 or FlexIO	Status and error—

Table continues on the next page...

Table 3-2. Interrupt vector assignments (continued)

Address	Vector	IRQ ¹	NVIC IPR register number ²	Source module	Source description
0x0000_007C	31	15	3	ADC0	Conversion complete
0x0000_0080	32	16	4	CMP0	Rising or falling edge of comparator output
0x0000_0084	33	17	4	TPM0	Overflow or channel interrupt
0x0000_0088	34	18	4	TPM1	Overflow or channel interrupt
0x0000_008C	35	19	4	TPM2	Overflow or channel interrupt
0x0000_0090	36	20	5	RTC	Alarm interrupt
0x0000_0094	37	21	5	RTC	Seconds interrupt
0x0000_0098	38	22	5	PIT	Single interrupt vector for all channels
0x0000_009C	39	23	5	—	—
0x0000_00A0	40	24	6	USB	—
0x0000_00A4	41	25	6	DAC0	—
0x0000_00A8	42	26	6	—	—
0x0000_00AC	43	27	6	—	—
0x0000_00B0	44	28	7	LPTMR0	LP Timer compare match
0x0000_00B4	45	29	7	LCD	—
0x0000_00B8	46	30	7	Port control module	Pin detect (Port A)
0x0000_00BC	47	31	7	Port control module	Pin detect (Single interrupt vector for Port C, Port D)

1. Indicates the NVIC's interrupt source number.

2. Indicates the NVIC's IPR register number used for this IRQ. The equation to calculate this value is: $IRQ \div 4$

3.2.3.1 Determining the bitfield and register location for configuring a particular interrupt

Suppose you need to configure the SPI0 interrupt. The following table is an excerpt of the SPI0 row from [Interrupt priority levels](#).

Table 3-3. Interrupt vector assignments

Address	Vector	IRQ ¹	NVIC IPR register number ²	Source module	Source description
0x0000_0068	26	10	2	SPI0	Single interrupt vector for all sources

1. Indicates the NVIC's interrupt source number.

2. Indicates the NVIC's IPR register number used for this IRQ. The equation to calculate this value is: $IRQ \div 4$.

- The NVIC registers you would use to configure the interrupt are:

- NVICIPR2
- To determine the particular IRQ's field location within these particular registers:
 - NVICIPR2 field starting location = $8 * (\text{IRQ mod } 4) + 6 = 22$

Since the NVICIPR fields are 2-bit wide (4 priority levels), the NVICIPR2 field range is 22–23.

Therefore, the following field locations are used to configure the SPI0 interrupts:

- NVICIPR2[23:22]

3.3 AWIC introduction

The primary function of the AWIC block is to detect asynchronous wake-up events in stop modes and signal to clock control logic to resume system clocking. After clock restart, the NVIC observes the pending interrupt and performs the normal interrupt or event processing.

3.3.1 Wake-up sources

The device uses the following internal and external inputs to the AWIC module.

Table 3-4. AWIC stop wake-up sources

Wake-up source	Description
Available system resets	RESET pin when LPO is its clock source
Low-voltage detect	Power management controller—functional in Stop mode
Low-voltage warning	Power management controller—functional in Stop mode
Pin interrupts	Port control module—any enabled pin interrupt is capable of waking the system
ADC	The ADC is functional when using internal clock source or external crystal clock
CMP0	Interrupt in normal or trigger mode
I ² C	Address match wakeup
LPUART0 , LPUART1	Any enabled interrupt can be a source as long as the module remains clocked
UART2	Active edge on RXD
RTC	Alarm or seconds interrupt
NMI	NMI pin
TPMx	Any enabled interrupt can be a source as long as the module remains clocked
LPTMR	Any enabled interrupt can be a source as long as the module remains clocked
SPIx	Slave mode interrupt
FlexIO	Any enabled interrupt can be a source as long as the module remains clocked

Chapter 4

Memory Map

4.1 Introduction

This device contains various memories and memory-mapped peripherals which are located in a 4 GB memory space.

This chapter describes the memory and peripheral locations within that memory space.

4.2 Flash memory

The devices covered in this document contain 2 program flash blocks consisting of 1 KB sectors.

The amounts of flash memory for the devices covered in this document are:

Table 4-1. K32 L2B Flash Memory Size

Phantom	Program flash (KB)	Block 0 (P-Flash) address range	Block 1 (P-Flash) address range
K32L2B11VLH0A K32L2B11VMP0A K32L2B11VFT0A K32L2B11VFM0A	64	0x0000_0000 – 0x0000_7FFF	0x0000_8000 – 0x0000_FFFF
K32L2B21VLH0A K32L2B21VMP0A K32L2B21VFT0A K32L2B21VFM0A	128	0x0000_0000 – 0x0000_FFFF	0x0001_0000 – 0x0001_FFFF
K32L2B31VLH0A K32L2B31VMP0A K32L2B31VFT0A K32L2B31VFM0A	256	0x0000_0000 – 0x0001_FFFF	0x0002_0000 – 0x0003_FFFF

4.2.1 Flash memory map

The flash memory and the flash registers are located at different base addresses as shown in the figure found here.

The base address for each is specified in [System memory map](#).

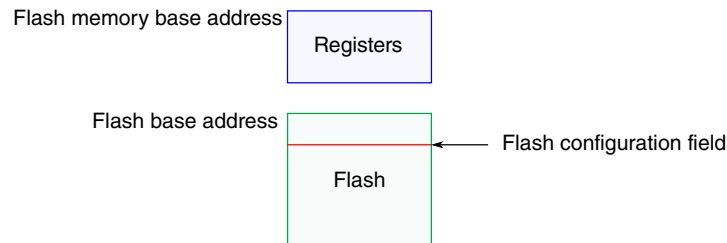


Figure 4-1. Flash memory map

The on-chip flash memory is implemented in a portion of the allocated Flash range to form a contiguous block in the memory map beginning at address 0x0000_0000. See [Flash memory](#) for details of supported ranges.

Access to the flash memory ranges outside the amount of flash on the device causes the bus cycle to be terminated with an error followed by the appropriate response in the requesting bus master.

4.2.2 Flash security

For information on how flash security is implemented on this device, see [Security](#).

4.2.3 Flash modes

The flash memory chapter defines two modes of operation: NVM normal and NVM special modes. On this device, the flash memory only operates in NVM normal mode. All references to NVM special mode must be ignored.

4.2.4 Erase all flash contents

In addition to software, the entire flash memory may be erased external to the flash memory via the SW-DP debug port by setting MDM-AP CONTROL[0]. MDM-AP STATUS[0] is set to indicate the mass erase command has been accepted. MDM-AP STATUS[0] is cleared when the mass erase completes.

4.2.5 FTFA_FOPT register

The flash memory's FTFA_FOPT register allows the user to customize the operation of the MCU at boot time. See [FOPT boot options](#) for details of its definition.

4.3 SRAM

4.3.1 SRAM sizes

This device contains SRAM which could be accessed by bus masters through the cross-bar switch. The amount of SRAM for the devices covered in this document is shown in the following table.

Table 4-2. K32 L2B SRAM memory size

Device	SRAM
K32L2B31VLH0A	32 KB
K32L2B31VMP0A	32 KB
K32L2B31VFT0A	32 KB
K32L2B31VFM0A	32 KB
K32L2B21VLH0A	32 KB
K32L2B21VMP0A	32 KB
K32L2B21VFT0A	32 KB
K32L2B21VFM0A	32 KB
K32L2B11VLH0A	32 KB
K32L2B11VMP0A	32 KB
K32L2B11VFT0A	32 KB
K32L2B11VFM0A	32 KB

4.3.2 SRAM ranges

The on-chip SRAM is split into two ranges, 1/4 is allocated SRAM_L and 3/4 is allocated to SRAM_U.

The on-chip RAM is implemented such that the SRAM_L and SRAM_U ranges form a contiguous block in the memory map. As such:

- SRAM_L is anchored to 0x1FFF_FFFF and occupies the space before this ending address.
- SRAM_U is anchored to 0x2000_0000 and occupies the space after this beginning address.

Valid address ranges for SRAM_L and SRAM_U are then defined as:

- SRAM_L = [0x2000_0000-(SRAM_size/4)] to 0x1FFF_FFFF
- SRAM_U = 0x2000_0000 to [0x2000_0000+(SRAM_size*(3/4))-1]

This is illustrated in the following figure.

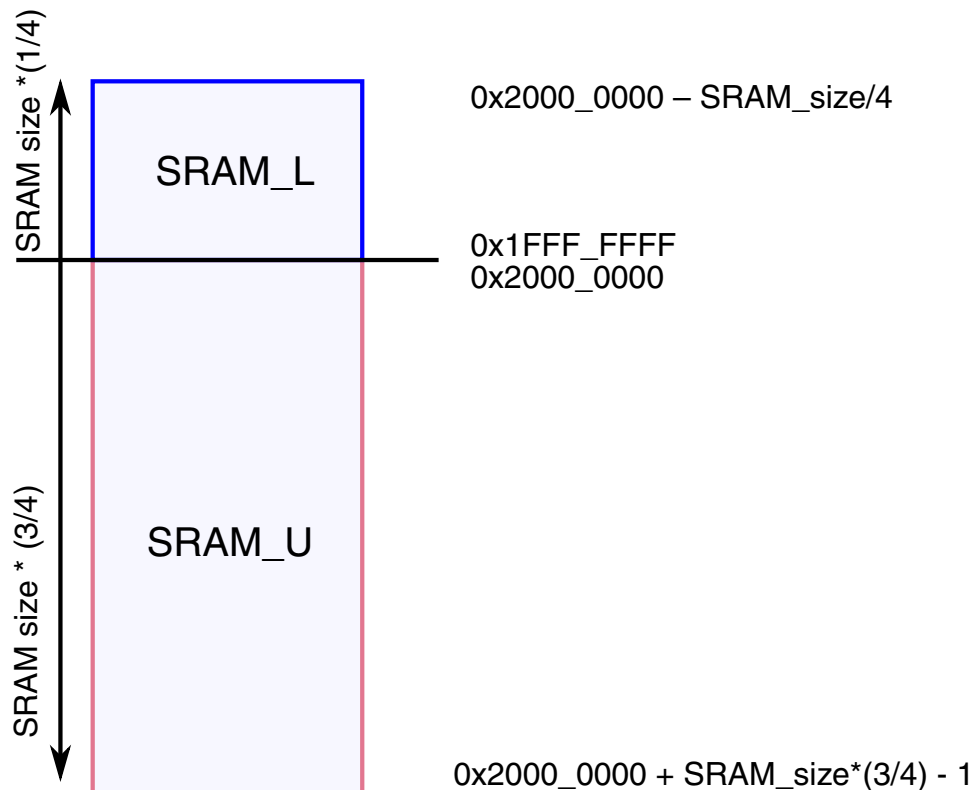


Figure 4-2. SRAM blocks memory map

For example, for a device containing 32 KB of SRAM, the ranges are:

- SRAM_L: 0x1FFF_E000 – 0x1FFF_FFFF
- SRAM_U: 0x2000_0000 – 0x2000_5FFF

4.3.3 SRAM retention in low power modes

The SRAM is retained down to VLLS3 mode. In VLLS1 and VLLS0, no SRAM is retained.

4.4 System Register file

This device includes a 32-byte register file that is powered in all power modes.

Also, it retains contents during low-voltage detect (LVD) events and is only reset during a power-on reset.

4.5 System memory map

The table found here shows the high-level device memory map.

Table 4-3. System memory map

System 32-bit address range	Destination slave	Access
0x0000_0000–0x07FF_FFFF ¹	Program flash and read-only data (Includes exception vectors in first 192 bytes)	All masters
0x0800_0000–0x1BFF_FFFF	Reserved	—
0x1C00_0000 – 0x1C00_3FFF	Boot ROM	All masters
0x1C00_4000 – 0x1FFF_DFFF	Reserved	—
0x1FFF_E000–0x1FFF_FFFF ²	SRAM_L: Lower SRAM	All masters
0x2000_0000–0x2000_5FFF ²	SRAM_U: Upper SRAM	All masters
0x2000_6000–0x3FFF_FFFF	Reserved	–
0x4000_0000–0x4007_FFFF	AIPS Peripherals	Cortex-M0+ core & DMA
0x4008_0000–0x400F_EFFF	Reserved	–
0x400F_F000–0x400F_FFFF	General-purpose input/output (GPIO)	Cortex-M0+ core & DMA
0x4010_0000–0x43FF_FFFF	Reserved	–
0x4400_0000–0x5FFF_FFFF	Bit Manipulation Engine (BME) access to AIPS Peripherals for slots 0-127 ³	Cortex-M0+ core
0x6000_0000–0xDFFF_FFFF	Reserved	–
0xE000_0000–0xE00F_FFFF	Private Peripherals	Cortex-M0+ core

Table continues on the next page...

Table 4-3. System memory map (continued)

System 32-bit address range	Destination slave	Access
0xE010_0000–0xEFFF_FFFF	Reserved	–
0xF000_0000–0xF000_0FFF	Micro Trace Buffer (MTB) registers	Cortex-M0+ core
0xF000_1000–0xF000_1FFF	MTB Data Watchpoint and Trace (MTBDWT) registers	Cortex-M0+ core
0xF000_2000–0xF000_2FFF	ROM table	Cortex-M0+ core
0xF000_3000–0xF000_3FFF	Miscellaneous Control Module (MCM)	Cortex-M0+ core
0xF000_4000–0xF7FF_FFFF	Reserved	–
0xF800_0000–0xFFFF_FFFF	IOPORT: GPIO (single cycle)	Cortex-M0+ core

1. The program flash always begins at 0x0000_0000 but the end of implemented flash varies depending on the amount of flash implemented for a particular device. See [Flash memory](#) for details.
2. This range varies depending on SRAM sizes. See [SRAM sizes](#) for details.
3. Includes BME operations to GPIO at slot 15 (based at 0x4000_F000).

4.6 Bit Manipulation Engine

The Bit Manipulation Engine (BME) provides hardware support for atomic read-modify-write memory operations to the peripheral address space.

By combining the basic load and store instruction support in the Cortex-M instruction set architecture with the concept of decorated storage provided by the BME, the resulting implementation provides a robust and efficient read-modify-write capability to this class of ultra low-end microcontrollers. See the [Bit Manipulation Engine Block Guide \(BME\)](#) for a detailed description of BME functionality.

4.7 Peripheral bridge (AIPS-Lite) memory map

The peripheral memory map is accessible via one slave port on the crossbar in the 0x4000_0000–0x400F_FFFF region. The device implements one peripheral bridge that defines a 1024 KB address space.

The three regions associated with this space are:

- A 128 KB region, partitioned as 32 spaces, each 4 KB in size and reserved for on-platform peripheral devices. The AIPS controller generates unique module enables for all 32 spaces.

- A 384 KB region, partitioned as 96 spaces, each 4 KB in size and reserved for off-platform modules. The AIPS controller generates unique module enables for all 96 spaces.
- The last slot is a 4 KB region beginning at 0x400F_F000 for accessing the GPIO module. The GPIO slot (slot 128) is an alias of slot 15. This block is also directly interfaced to the core and provides direct access without incurring wait states associated with accesses via the AIPS controller.

Modules that are disabled via their clock gate control bits in the SIM registers disable the associated AIPS slots. Access to any address within an unimplemented or disabled peripheral bridge slot results in a transfer error termination.

For programming model accesses via the peripheral bridges, there is generally only a small range within the 4 KB slots that is implemented. Accessing an address that is not implemented in the peripheral results in a transfer error termination.

4.7.1 Read-after-write sequence and required serialization of memory operations

In some situations, a write to a peripheral must be completed fully before a subsequent action can occur. Examples of such situations include:

- Exiting an interrupt service routine (ISR)
- Changing a mode
- Configuring a function

In these situations, the application software must perform a read-after-write sequence to guarantee the required serialization of the memory operations:

1. Write the peripheral register.
2. Read the written peripheral register to verify the write.
3. Continue with subsequent operations.

4.7.2 Peripheral bridge (AIPS-Lite) memory map

Table 4-4. Peripheral bridge 0 slot assignments

System 32-bit base address	Slot number	Module
0x4000_0000	0	—
0x4000_1000	1	—
0x4000_2000	2	—
0x4000_3000	3	—

Table continues on the next page...

Table 4-4. Peripheral bridge 0 slot assignments (continued)

System 32-bit base address	Slot number	Module
0x4000_4000	4	—
0x4000_5000	5	—
0x4000_6000	6	—
0x4000_7000	7	—
0x4000_8000	8	DMA controller
0x4000_9000	9	—
0x4000_A000	10	—
0x4000_B000	11	—
0x4000_C000	12	—
0x4000_D000	13	—
0x4000_E000	14	—
0x4000_F000	15	GPIO controller (aliased to 0x400F_F000)
0x4001_0000	16	—
0x4001_1000	17	—
0x4001_2000	18	—
0x4001_3000	19	—
0x4001_4000	20	—
0x4001_5000	21	—
0x4001_6000	22	—
0x4001_7000	23	—
0x4001_8000	24	—
0x4001_9000	25	—
0x4001_A000	26	—
0x4001_B000	27	—
0x4001_C000	28	—
0x4001_D000	29	—
0x4001_E000	30	—
0x4001_F000	31	—
0x4002_0000	32	Flash memory
0x4002_1000	33	DMA channel mutiplexer 0
0x4002_2000	34	—
0x4002_3000	35	—
0x4002_4000	36	—
0x4002_5000	37	—
0x4002_6000	38	—
0x4002_7000	39	—
0x4002_8000	40	—
0x4002_9000	41	—
0x4002_A000	42	—

Table continues on the next page...

Table 4-4. Peripheral bridge 0 slot assignments (continued)

System 32-bit base address	Slot number	Module
0x4002_B000	43	—
0x4002_C000	44	—
0x4002_D000	45	—
0x4002_E000	46	—
0x4002_F000	47	—
0x4003_0000	48	—
0x4003_1000	49	—
0x4003_2000	50	—
0x4003_3000	51	—
0x4003_4000	52	—
0x4003_5000	53	—
0x4003_6000	54	—
0x4003_7000	55	Periodic interrupt timers (PIT)
0x4003_8000	56	Timer/PWM (LPTPM) 0
0x4003_9000	57	Timer/PWM (LPTPM) 1
0x4003_A000	58	Timer/PWM (LPTPM) 2
0x4003_B000	59	Analog-to-digital converter 0(ADC0)
0x4003_C000	60	—
0x4003_D000	61	Real Time Clock (RTC)
0x4003_E000	62	—
0x4003_F000	63	DAC0
0x4004_0000	64	Low-power timer (LPTMR)
0x4004_1000	65	System register file
0x4004_2000	66	—
0x4004_3000	67	—
0x4004_4000	68	—
0x4004_5000	69	—
0x4004_6000	70	—
0x4004_7000	71	SIM low-power logic
0x4004_8000	72	System integration module (SIM)
0x4004_9000	73	Port A multiplexing control
0x4004_A000	74	Port B multiplexing control
0x4004_B000	75	Port C multiplexing control
0x4004_C000	76	Port D multiplexing control
0x4004_D000	77	Port E multiplexing control
0x4004_E000	78	—
0x4004_F000	79	—
0x4005_0000	80	—
0x4005_1000	81	—

Table continues on the next page...

Table 4-4. Peripheral bridge 0 slot assignments (continued)

System 32-bit base address	Slot number	Module
0x4005_2000	82	—
0x4005_3000	83	Segment LCD (SLCD)
0x4005_4000	84	LPUART0
0x4005_5000	85	LPUART1
0x4005_6000	86	—
0x4005_7000	87	—
0x4005_8000	88	—
0x4005_9000	89	—
0x4005_A000	90	—
0x4005_B000	91	—
0x4005_C000	92	—
0x4005_D000	93	—
0x4005_E000	94	—
0x4005_F000	95	FlexIO
0x4006_0000	96	—
0x4006_1000	97	—
0x4006_2000	98	—
0x4006_3000	99	—
0x4006_4000	100	Multi-purpose clock Generator Lite (MCG_Lite)
0x4006_5000	101	System oscillator (OSC)
0x4006_6000	102	I ² C0
0x4006_7000	103	I ² C1
0x4006_8000	104	—
0x4006_9000	105	—
0x4006_A000	106	—
0x4006_B000	107	—
0x4006_C000	108	UART2
0x4006_D000	109	—
0x4006_E000	110	—
0x4006_F000	111	—
0x4007_0000	112	—
0x4007_1000	113	—
0x4007_2000	114	USB FS
0x4007_3000	115	Analog comparator (CMP) / 6-bit digital-to-analog converter (DAC)
0x4007_4000	116	Voltage reference (VREF)
0x4007_5000	117	—
0x4007_6000	118	SPI0
0x4007_7000	119	SPI1
0x4007_8000	120	—

Table continues on the next page...

Table 4-4. Peripheral bridge 0 slot assignments (continued)

System 32-bit base address	Slot number	Module
0x4007_9000	121	—
0x4007_A000	122	—
0x4007_B000	123	—
0x4007_C000	124	Low-leakage wakeup unit (LLWU)
0x4007_D000	125	Power management controller (PMC)
0x4007_E000	126	System mode controller (SMC)
0x4007_F000	127	Reset control module (RCM)
0x400F_F000	128	GPIO controller

Chapter 5

Clock Distribution

5.1 Introduction

This chapter presents the clock architecture for the device, the overview of the clocks and includes a terminology section.

The Cortex M0+ resides within a synchronous core platform, where the processor and bus masters, flash memory, and peripheral clocks can be configured independently. The clock distribution figure shows how clocks from the lite version of Multi Clock Generation (MCG-Lite) and OSC module are distributed to the microcontroller's other function units. Some modules in the microcontroller have selectable clock input.

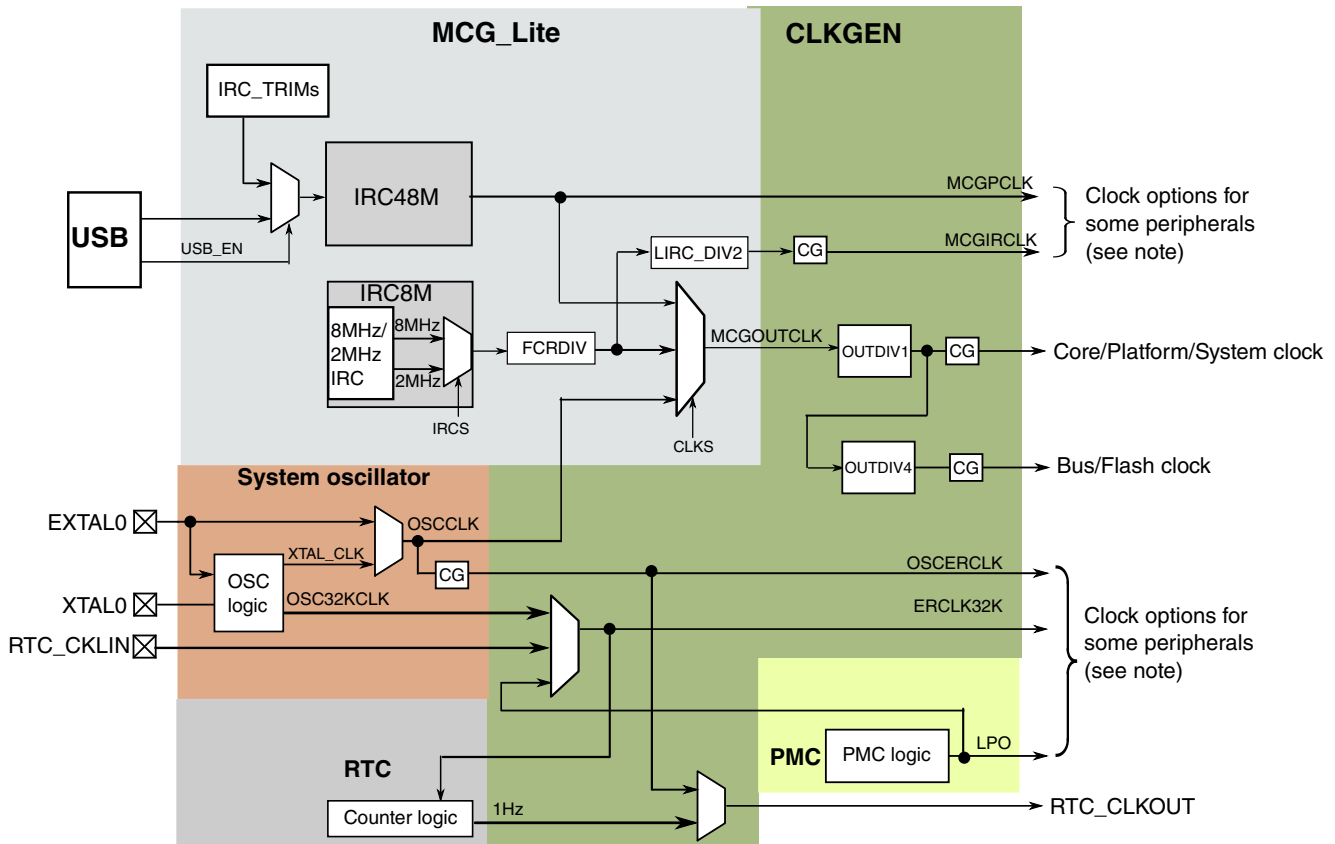
5.2 Programming model

The selection and multiplexing of system clock sources is controlled and programmed via the Clock Generation Module. The setting of clock dividers and module clock gating for the system are programmed via the SIM module. Refer to the [MCG_Lite](#) and [SIM](#) sections for detailed register and bit descriptions.

5.3 High-level device clocking diagram

The following [system oscillator](#), [MCG_Lite](#), and [SIM](#) module registers control the multiplexers, dividers, and clock gates shown in the following figure:

	OSC	MCG-Lite	SIM
Multiplexers	MCG_Cx	MCG_Cx	SIM_SOPT1, SIM_SOPT2
Dividers	—	MCG_Cx	SIM_CLKDIVx
Clock gates	OSC_CR	MCG_C1	SIM_SCGCx



CG — Clock gate

Note1: See subsequent sections for details on where these clocks are used.

Note2: 48Mhz clock (IRC48M) control register is defined in either USB or MCG_Lite. In case USB is not available, IRC48M will be controlled by IRC_TRIMs in MCG_Lite module

Note3: FCRDIV support divider ratio 1,2,4,8,16, 32, 64, 128. LIRC_DIV2 provides the further divide down for MCGIRCLK.

Note4: OSC32KCLK is only available when external crystal is in 30KHz - 40KHz range.

Figure 5-1. Clocking diagram

5.4 Clock definitions

The following table describes the clocks in the previous block diagram.

Clock name	Description
Core clock	MCGOUTCLK divided by OUTDIV1 Clocks the Arm Cortex-M0+ core.
Platform clock	MCGOUTCLK divided by OUTDIV1 Clocks the crossbar switch and NVIC.
System clock	MCGOUTCLK divided by OUTDIV1 Clocks the bus masters directly .

Table continues on the next page...

Clock name	Description
Bus clock	System clock divided by OUTDIV4. Clocks the bus slaves and peripherals.
Flash clock	Flash memory clock On this device, it is the same as Bus clock.
MCGOUTCLK	MCG_Lite output of either IRC48M, IRC8M, MCG_Lite's external reference clock that sources the core, system, bus, and flash clock.
MCGIRCLK	IRC8M/2M internal reference clock divided by lirc_div2
MCGPCLK	MCG_Lite output of the fast (IRC48M) internal reference clock. This clock may clock some modules. In addition, this clock is used for LPUART0, LPUART1 and TPM modules
OSCCLK	System oscillator output of the internal oscillator or sourced directly from EXTAL. Used as MCG_Lite's external reference clock.
OSCERCLK	System oscillator output sourced from OSCCLK that may clock some on-chip modules
OSC32KCLK	System oscillator 32 kHz output
ERCLK32K	Clock source for some modules that is chosen as OSC32KCLK or RTC_CLKIN or LPO
LPO	PMC 1 kHz output

5.4.1 Device clock summary

The following table provides more information regarding the on-chip clocks.

Table 5-1. Clock summary

Clock name	Run mode clock frequency	VLPR mode clock frequency	Clock source	Clock is disabled when...
MCGOUTCLK	Up to 48 MHz	Up to 8 MHz	MCG_Lite	In all stop modes except for partial stop modes.
MCGPCLK	Up to 48 MHz	N/A	MCG_Lite	MCG_Lite and USB clock controls are not enabled and in all stop modes except for partial stop modes.
Core clock	Up to 48 MHz	Up to 4 MHz	MCGOUTCLK clock divider	In all wait and stop modes
Platform clock	Up to 48 MHz	Up to 4 MHz	MCGOUTCLK clock divider	In all stop modes
System clock	Up to 48 MHz	Up to 4 MHz	MCGOUTCLK clock divider	In all stop modes and Compute Operation
Bus clock	Up to 24 MHz	Up to 1 MHz ¹	MCGOUTCLK clock divider	In all stop modes except for partial

Table continues on the next page...

Table 5-1. Clock summary (continued)

Clock name	Run mode clock frequency	VLPR mode clock frequency	Clock source	Clock is disabled when...
				STOP2 mode, and Compute Operation
SWD Clock	Up to 24 MHz	Up to 1 MHz	SWD_CLK pin	In all stop modes
Flash clock	Up to 24 MHz	Up to 1 MHz in EXT and LIRC	MCGOUTCLK clock divider	In all stop modes except for partial STOP2 mode
Internal reference (MCGIRCLK)	8/2MHz LIRC	8/2MHz LIRC	MCG_Lite	MCG_C1[IRCLKEN] cleared, Stop/VLPS mode and MCG_C1[IREFSTEN] cleared, or VLLS mode
External reference (OSCERCLK)	Up to 48 MHz (bypass), 30–40 kHz or 3-32Mhz(crystal)	Up to 16 MHz (bypass), 30–40 kHz (low-range crystal) or 3-16Mhz (high range crystal)	System OSC	System OSC's OSC_CR[ERCLKEN] cleared, or Stop mode and OSC_CR[EREFSTEN] cleared or VLLS0 and oscillator not in external clock mode.
External reference 32kHz (ERCLK32K)	30–40 kHz	30–40 kHz	System OSC or RTC_CLKIN or LPO	System OSC's OSC_CR[ERCLKEN] cleared and RTC's RTC_CR[OSCE] cleared or VLLS0 and oscillator not in external clock mode.
RTC_CLKOUT	RTC 1Hz, OSCERCLK	RTC 1Hz, OSCERCLK	RTC 1Hz, OSCERCLK	Clock is disabled in VLLSx modes
CLKOUT32K	32K	32K	ERCLK32K	SIM_SOPT1[OSC32KOUT] not configured to drive ERCLK32K out.
LPO	1 kHz	1 kHz	PMC	in VLLS0
TPM clock	Up to 48 MHz	Up to 8 MHz	MCGIRCLK, MCGPCLK, OSCERCLK	SIM_SOPT2[TPMSRC]=00 selected clock source disabled
LPUART0 clock	Up to 48 MHz	Up to 8 MHz	MCGIRCLK, MCGPCLK, OSCERCLK	SIM_SOPT2[LPUART0SRC]=00 selected clock source disabled

Table continues on the next page...

Table 5-1. Clock summary (continued)

Clock name	Run mode clock frequency	VLPR mode clock frequency	Clock source	Clock is disabled when...
LPUART1 clock	Up to 48 MHz	Up to 8 MHz	MCGIRCLK, MCGPCLK, OSCERCLK	SIM_SOPT2[LPUART1 SRC]=00 selected clock source disabled
FlexIO clock	Up to 48 MHz	Up to 8 MHz	MCGIRCLK, MCGPCLK, OSCERCLK	SIM_SOPT2[FLEXIOS RC]=00 selected clock source disabled
USB FS clock	48 MHz	N/A	MCGPCLK, USB_CLKIN	USB FS is disabled

1. If in LIRC mode, where clocking is derived from the fast internal reference clock, the Bus clock and flash clock frequency needs to be limited to 1Mhz if executing from flash.

5.5 Internal clocking requirements

The clock dividers are programmed via the SIM_CLKDIV1 register. The following requirements must be met when configuring the clocks for this device:

- The core, platform, and system clock are programmable from a divide-by-1 through divide-by-16 setting. The core, platform, and system clock frequencies must be 48 MHz or slower.
- The frequency of bus clock and flash clock is divided by the system clock and is programmable from a divide-by-1 through divide-by-8 setting. The bus clock and flash clock must be programmed to 24 MHz or slower.
- MCGPCLK is used for peripheral which is fixed to 48 MHz.
- MCGIRCLK is also one of peripheral clock sources which is from IRC8M and can be divided down by a divider.

The following is a common clock configuration for this device:

Clock	Max. Frequency
Core clock	48 MHz
Platform clock	48 MHz
System clock	48 MHz
Bus clock	24 MHz
Flash clock	24 MHz
MCGIRCLK	8 MHz
MCGPCLK	48 MHz

5.5.1 Clock divider values after reset

Each clock divider is programmed via the CLKDIV1 registers of the SIM module. Two bits in the flash memory's FTFA_FOPT register control the reset value of the core clock, system clock, bus clock, and flash clock dividers as shown in the table given below:

FTFA_FOPT [4,0]	Core/system clock	Bus/Flash clock	Execution Mode
00	0x7 (divide by 8)	0x1 (divide by 2)	VLPR
01	0x3 (divide by 4)	0x1 (divide by 2)	VLPR
10	0x1 (divide by 2)	0x1 (divide by 2)	RUN
11	0x0 (divide by 1)	0x1 (divide by 2)	RUN

This gives the user flexibility in selecting between a lower frequency, low-power boot option and higher frequency, higher power during and after reset.

The flash erased state defaults to fast clocking mode, since these bits reside in flash, which is logic 1 in the flash erased state. To enable a lower power boot option, program the appropriate bits in FTFA_FOPT. During the reset sequence, if either of the control bits is cleared, the system is in a slower clock configuration. Upon any system reset, the clock dividers return to this configurable reset state.

The default reset clock for core/system clock is 8 MHz from IRC8M.

5.5.2 VLPR mode clocking

The clock dividers cannot be changed while in VLPR mode. These dividers must be programmed prior to entering VLPR mode to guarantee operation. Maximum frequency limitations for VLPR mode is as follows :

- the core/system clocks are less than or equal to 4 MHz, and
- the bus and flash clocks are less than or equal to 1 MHz

5.6 Clock gating

The clock to each module can be individually gated on and off using bits of the SCGCx registers of the SIM module. These bits are cleared after any reset, which disables the clock to the corresponding module to conserve power. Prior to initializing a module, set the corresponding bit in the SCGCx register to enable the clock. Before turning off the clock, make sure to disable the module.

Any bus access to a peripheral that has its clock disabled generates an error termination.

5.7 Module clocks

The following table summarizes the clocks associated with each module.

Table 5-2. Module clocks

Module	Bus interface clock	Internal clocks	I/O interface clocks
Core modules			
Arm Cortex-M0+ core	Platform clock	Core clock	—
NVIC	Platform clock	—	—
DAP	Platform clock	—	SWD_CLK
System modules			
DMA	System clock	—	—
DMA Mux	Bus clock	—	—
Port control	Bus clock	—	—
Crossbar Switch	Platform clock	—	—
Peripheral bridges	System clock	Bus clock	—
LLWU, PMC, SIM, RCM	Bus clock	LPO	—
Mode controller	Bus clock	—	—
MCM	Platform clock	—	—
COP watchdog	Bus clock	LPO, Bus Clock, MCGIRCLK, OSCERCLK	—
Clocks			
MCG_Lite	Bus clock	MCGOUTCLK, MCGPCLK, MCGIRCLK, OSCERCLK, ERCLK32K	—
OSC	Bus clock	OSCERCLK	—
Memory and memory interfaces			
Flash Controller	Platform clock	Flash clock	—
Flash memory	Flash clock	—	—
Analog			
ADC	Bus clock	OSCERCLK	—
CMP	Bus clock	—	—
DAC	Bus clock	—	—
Internal Voltage Reference (VREF)	Bus clock	—	—
Timers			
TPM	Bus clock	TPM clock	TPM_CLKIN0, TPM_CLKIN1
PIT	Bus clock	—	—
LPTMR	Bus clock	LPO, OSCERCLK, MCGPCLK, ERCLK32K	—

Table continues on the next page...

Table 5-2. Module clocks (continued)

Module	Bus interface clock	Internal clocks	I/O interface clocks
RTC	Bus clock	ERCLK32K	RTC_CLKOUT, RTC_CLKIN
Communication interfaces			
USB FS (Device Only)	System clock	USB FS clock	—
SPI0	Bus clock	—	SPI0_SCK
SPI1	System clock	—	SPI1_SCK
I ² C0	System Clock	—	I2C0_SCL
I ² C1	System Clock	—	I2C1_SCL
LPUART0, LPUART1	Bus clock	LPUART0 clock LPUART1 clock	—
UART2	Bus clock	—	—
FlexIO	Bus clock	FlexIO clock	—
Human-machine interfaces			
GPIO	Platform clock	—	—
Segment LCD	Bus clock	ERCLK32K, MCGIRCLK, OSCERCLK	—

5.7.1 PMC 1-kHz LPO clock

The Power Management Controller (PMC) generates a 1-kHz clock that is enabled in all modes of operation, including all low-power modes except VLLS0. This 1-kHz source is commonly referred to as LPO clock or 1-kHz LPO clock.

5.7.2 COP clocking

The COP may be clocked from four clock sources as shown in the following figure.

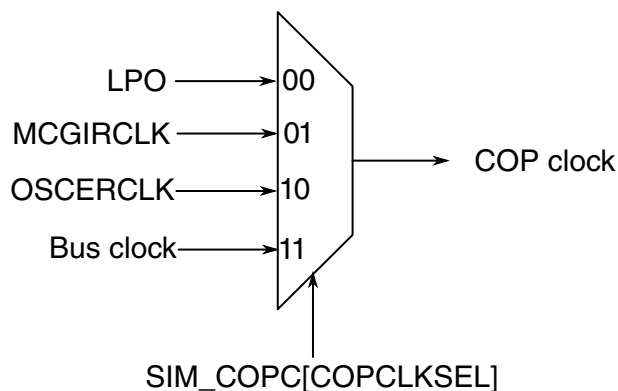


Figure 5-2. COP clock generation

5.7.3 RTC clocking

The RTC module can be clocked as shown in the following figure.

NOTE

The chosen clock must remain enabled if the RTC is to continue operating in all required low-power modes.

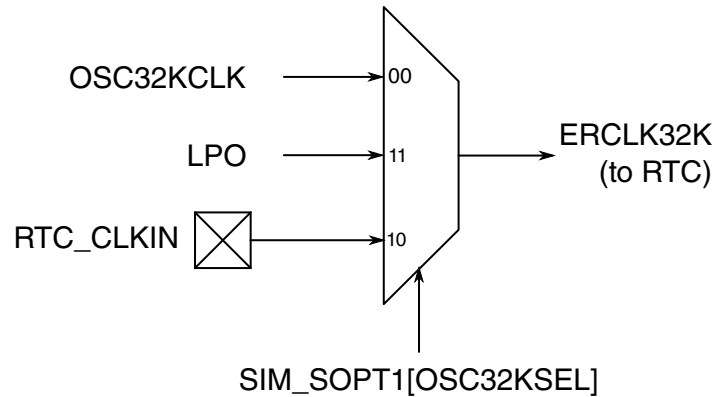


Figure 5-3. RTC clock generation

5.7.4 RTC_CLKOUT and CLKOUT32K clocking

When the RTC is enabled and the port control module selects the RTC_CLKOUT function, the RTC_CLKOUT signal, controlled from SIM_SOPT2[RTCCLKOUTSEL], outputs a 1 Hz or 32 kHz output derived from RTC oscillator as shown below and can be configured to drive to external pins via pin control configuration for the associated pin. It is also possible to drive CLKOUT32K on the same pins as controlled by SIM_SOPT1[OSC32KOUT] on the selected RTC_CLKOUT pins in all modes of operation (including LLS/VLLS and System Reset), overriding the existing pin mux configuration for that pin.

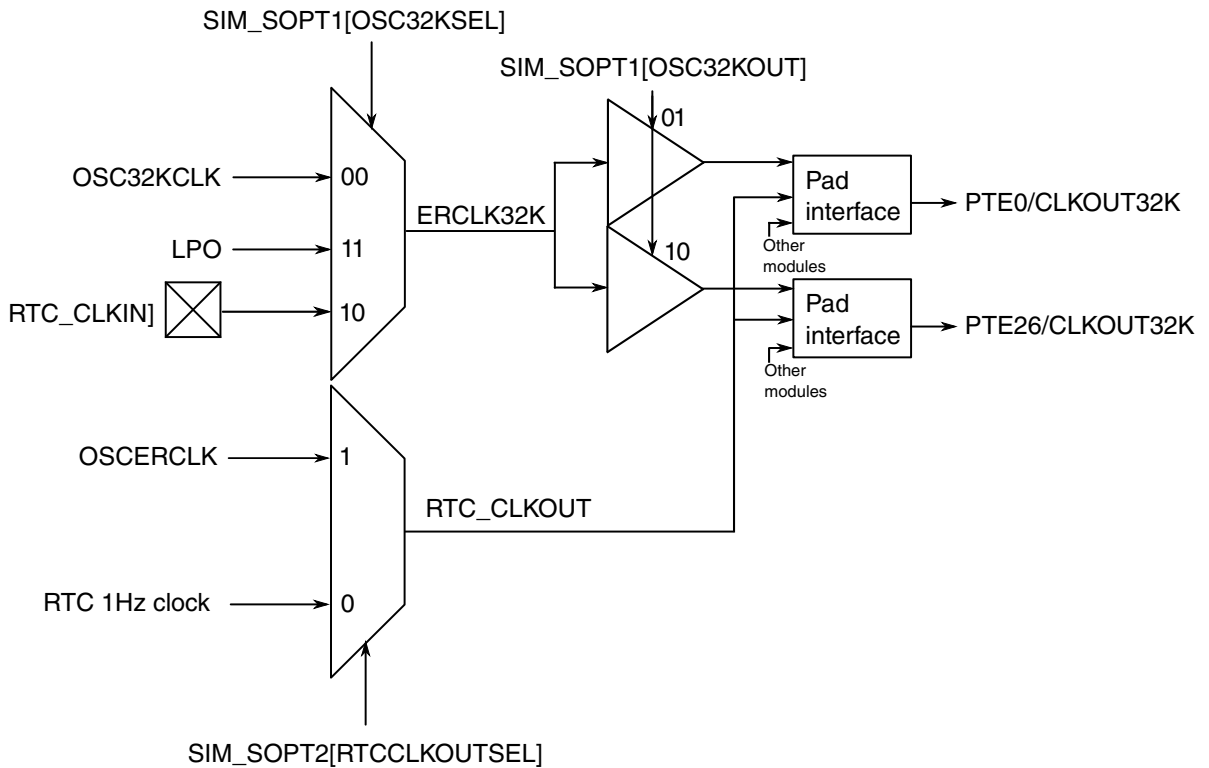


Figure 5-4. RTC_CLKOUT and CLKOUT32K generation

5.7.5 LPTMR clocking

The prescaler and glitch filters in each of the LPTMR_x modules can be clocked as shown in the following figure.

NOTE

The chosen clock must remain enabled if the LPTMR_x is to continue operating in all required low-power modes.

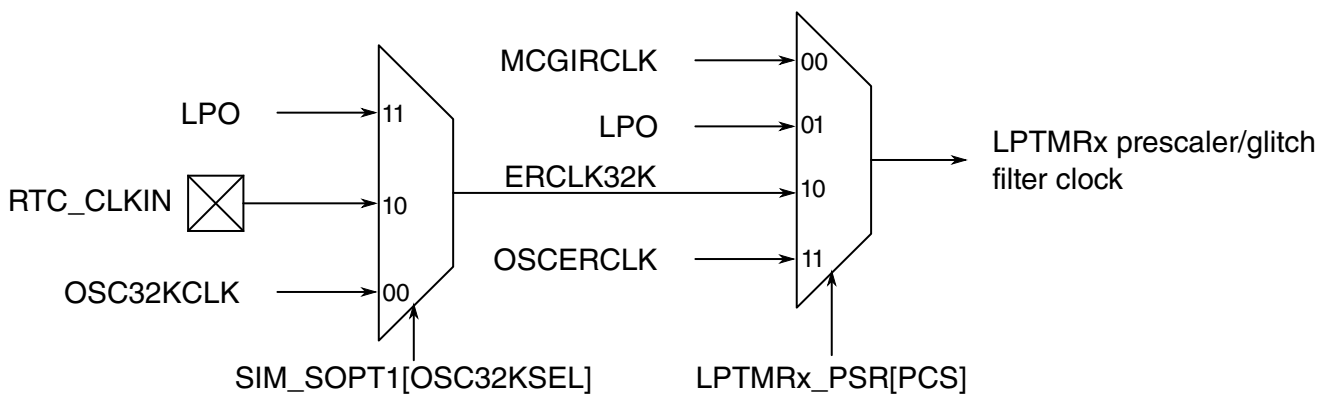


Figure 5-5. LPTMR_x prescaler/glitch filter clock generation

5.7.6 TPM clocking

The counter for the TPM modules has a selectable clock as shown in the following figure.

NOTE

The chosen clock must remain enabled if the TPM_x is to continue operating in all required low-power modes.

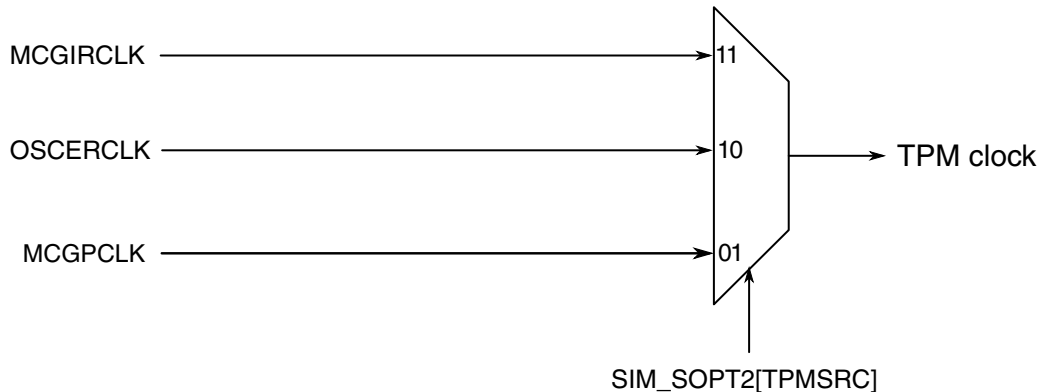


Figure 5-6. TPM clock generation

5.7.7 USB FS device only controller clocking

The USB FS controller is a bus master attached to the crossbar switch. As such, its clock is connected to the system clock.

NOTE

For the USB FS controller to operate, the minimum system clock frequency is 20 MHz.

The USB controller also requires a 48 MHz clock. The clock source options are shown below.

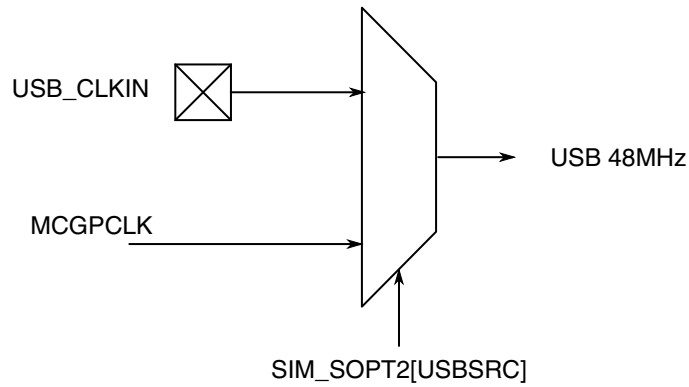


Figure 5-7. USB 48 MHz clock source

5.7.8 LPUART clocking

The LPUART0 and LPUART1 have a selectable clock as shown in the following figure. UART2 module operates from the bus clock.

NOTE

The chosen clock must remain enabled if the LPUART0 and LPUART1 is to continue operating in all required low-power modes.

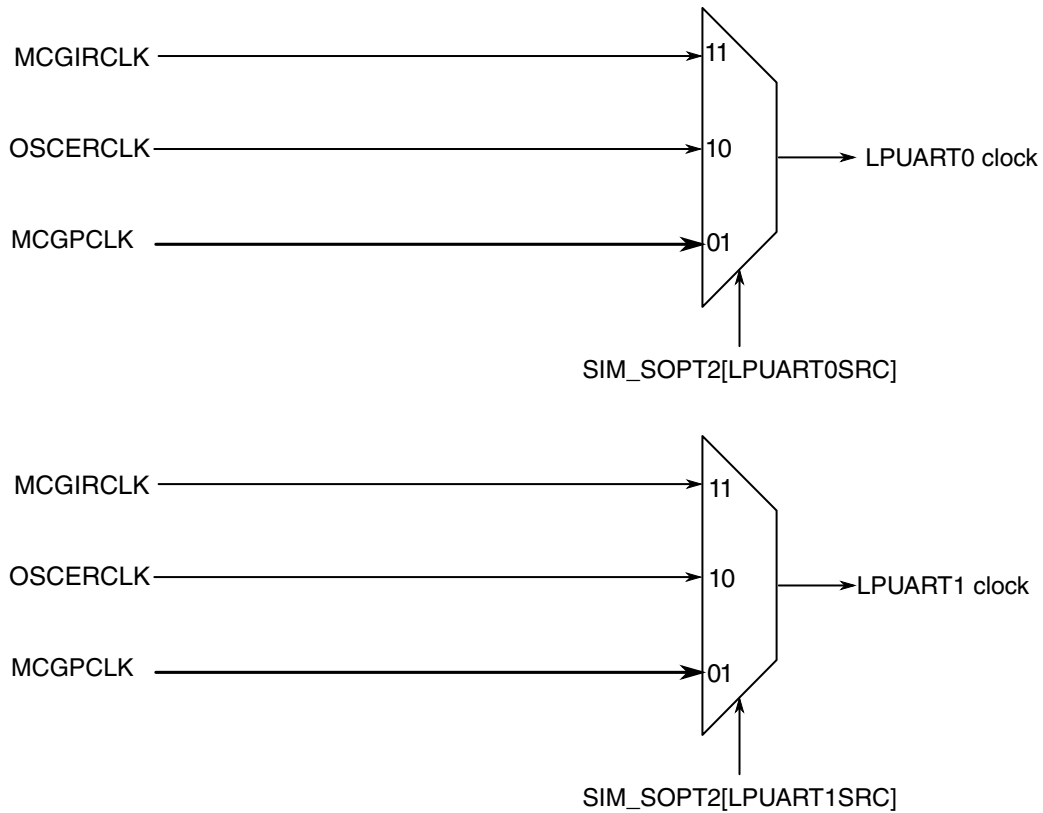


Figure 5-8. LPUART0 and LPUART1 clock generation

5.7.9 FlexIO clocking

The FlexIO module has a selectable clock as shown in the following figure.

NOTE

The chosen clock must remain enabled if the FlexIO is to continue operating in all required low-power modes.

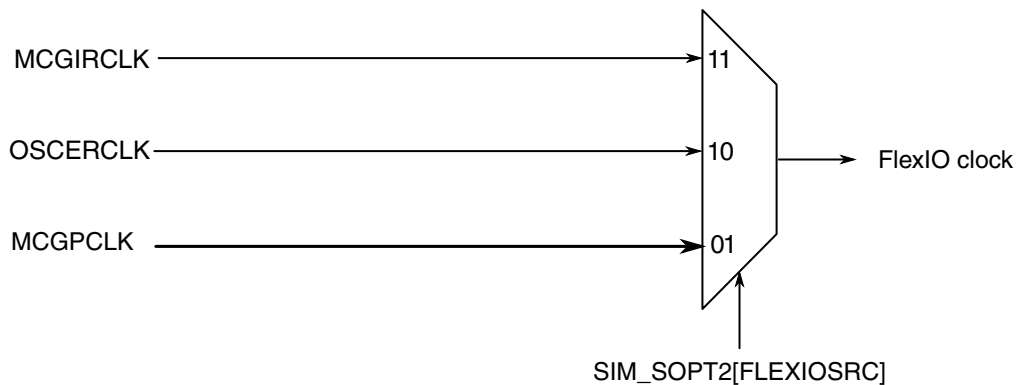


Figure 5-9. FlexIO clock generation

5.7.10 SLCD clocking

The SLCD module can be clocked as shown in the following figure.

NOTE

The chosen clock must remain enabled if the SLCD is to continue operating in all required low-power modes. Selecting the LPO clock is not a valid clocking configuration for the SLCD.

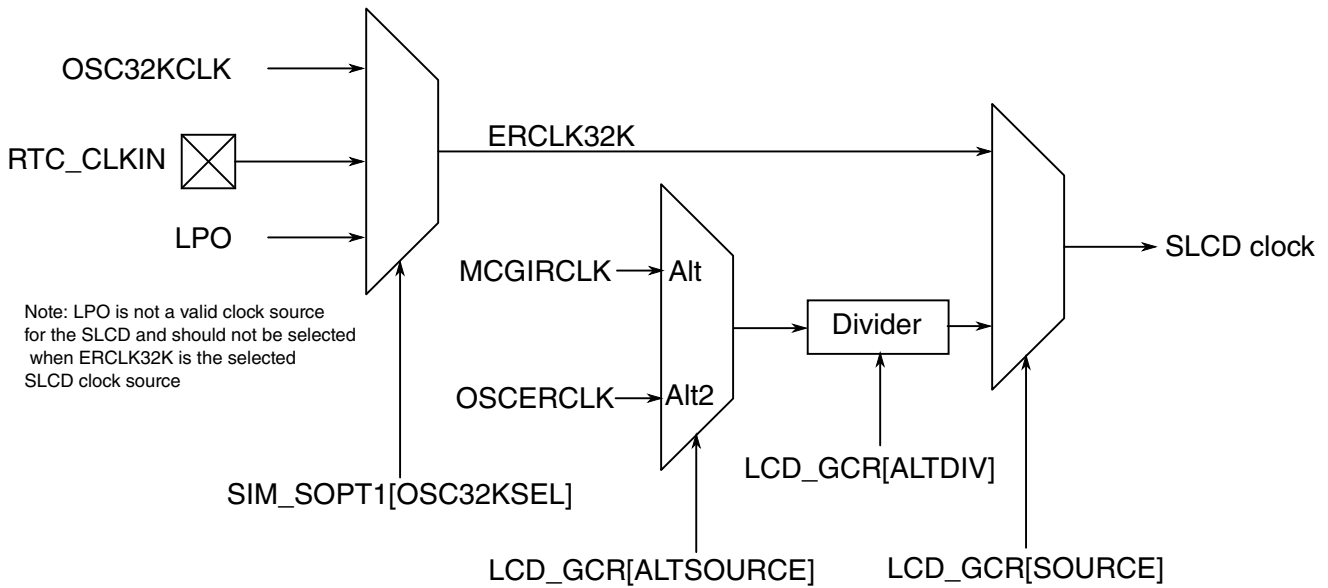


Figure 5-10. SLCD clock generation

Chapter 6

Reset and Boot

6.1 Introduction

The reset sources supported in this MCU are listed in the table found here.

Table 6-1. Reset sources

Reset sources	Description
POR reset	<ul style="list-style-type: none">• Power-on reset (POR)
System resets	<ul style="list-style-type: none">• External pin reset (PIN)• Low-voltage detect (LVD)• Computer operating properly (COP) watchdog reset• Low leakage wakeup (LLWU) reset• Stop mode acknowledge error (SACKERR)• Software reset (SW)• Lockup reset (LOCKUP)• MDM DAP system reset
Debug reset	<ul style="list-style-type: none">• Debug reset

Each of the system reset sources has an associated bit in the System Reset Status (SRS) registers. See the [Reset Control Module](#) for register details.

The MCU can exit and reset in functional mode where the CPU is executing code (default) or the CPU is in a debug halted state. There are several boot options that can be configured. See [Boot information](#) for more details.

6.2 Reset

The information found here discusses basic reset mechanisms and sources.

Some modules that cause resets can be configured to cause interrupts instead. Consult the individual peripheral chapters for more information.

6.2.1 Power-on reset (POR)

When power is initially applied to the MCU or when the supply voltage drops below the power-on reset re-arm voltage level (V_{POR}), the POR circuit causes a POR reset condition.

As the supply voltage rises, the LVD circuit holds the MCU in reset until the supply has risen above the LVD low threshold (V_{LVDL}). The POR and LVD fields in the Reset Status Register are set following a POR.

6.2.2 System reset sources

Resetting the MCU provides a way to start processing from a known set of initial conditions. System reset begins with the on-chip regulator in full regulation and system clocking generation from an internal reference. When the processor exits reset, it performs the following:

- Reads the start SP (SP_main) from vector-table offset 0
- Reads the start program counter (PC) from vector-table offset 4
- Link register (LR) is set to 0xFFFF_FFFF.

The on-chip peripheral modules are disabled and the non-analog I/O pins are initially configured as disabled. The pins with analog functions assigned to them default to their analog function after reset.

During and following a reset, the SWD pins have their associated input pins configured as:

- SWD_CLK in pulldown (PD)
- SWD_DIO in pullup (PU)

6.2.2.1 External pin reset ($\overline{\text{RESET}}$)

This pin is open drain and has an internal pullup device. Asserting $\overline{\text{RESET}}$ wakes the device from any mode.

The $\overline{\text{RESET}}$ pin can be disabled by programming RESET_PIN_CFG option bit to 0. When this option is selected, there could be a short period of contention during a POR ramp where the device drives the pin-out low prior to establishing the setting of this option and releasing the reset function on the pin.

6.2.2.1.1 $\overline{\text{RESET}}$ pin filter

The $\overline{\text{RESET}}$ pin filter supports filtering from both the 1 kHz LPO clock and the bus clock. RCM_RPFC[RSTFLTSS], RCM_RPFC[RSTFLTSRW], and RCM_RPFW[RSTFLTSEL] control this functionality; see the [RCM](#) chapter. The filters are asynchronously reset by Chip POR. The reset value for each filter assumes the $\overline{\text{RESET}}$ pin is negated.

For all stop modes where LPO clock is still active (Stop, VLPS, LLS, VLLS3, and VLLS1), the only filtering option is the LPO-based digital filter. The filtering logic either switches to bypass operation or has continued filtering operation depending on the filtering mode selected. When entering VLLS0, the $\overline{\text{RESET}}$ pin filter is disabled and bypassed.

The LPO filter has a fixed filter value of 3. Due to a synchronizer on the input data, there is also some associated latency (2 cycles). As a result, 5 cycles are required to complete a transition from low to high or high to low.

6.2.2.2 Low-voltage detect (LVD)

The chip includes a system for managing low-voltage conditions to protect memory contents and control MCU system states during supply voltage variations. The system consists of a power-on reset (POR) circuit and an LVD circuit with a user-selectable trip voltage. The LVD system is always enabled in Normal Run, Wait, or Stop mode. The LVD system is disabled when entering VLPx, LLS, or VLLSx modes.

The LVD can be configured to generate a reset upon detection of a low-voltage condition by setting PMC_LVDSC1[LVDRE] to 1. The low-voltage detection threshold is determined by PMC_LVDSC1[LVDV]. After an LVD reset has occurred, the LVD system holds the MCU in reset until the supply voltage has risen above the low voltage detection threshold. RCM_SRS0[LVD] is set following either an LVD reset or POR.

6.2.2.3 Computer operating properly (COP) watchdog timer

The computer operating properly (COP) watchdog timer (WDOG) monitors the operation of the system by expecting periodic communication from the software. This communication is generally known as servicing (or refreshing) the COP watchdog. If this periodic refreshing does not occur, the watchdog issues a system reset. The COP reset causes RCM_SRS0[WDOG] to set.

6.2.2.4 Low leakage wakeup (LLWU)

The LLWU module provides the means for a number of external pins to wake the MCU from low leakage power modes. The LLWU module is functional only in low leakage power modes. In VLLSx modes, all enabled inputs to the LLWU can generate a system reset.

After a system reset, the LLWU retains the flags indicating the input source of the last wakeup until the user clears them.

NOTE

Some flags are cleared in the LLWU and some flags are required to be cleared in the peripheral module. Refer to the individual peripheral chapters for more information.

6.2.2.5 Stop mode acknowledge error (SACKERR)

This reset is generated if the core attempts to enter Stop mode or Compute Operation, but not all modules acknowledge Stop mode within 1025 cycles of the 1 kHz LPO clock.

A module might not acknowledge the entry to Stop mode if an error condition occurs. The error can be caused by a failure of an external clock input to a module.

6.2.2.6 Software reset (SW)

The SYSRESETREQ field in the NVIC Application Interrupt and Reset Control register can be set to force a software reset on the device. (See Arm's NVIC documentation for the full description of the register fields, especially the VECTKEY field requirements.) Setting SYSRESETREQ generates a software reset request. This reset forces a system reset of all major components except for the debug module. A software reset causes RCM_SRS1[SW] to set.

6.2.2.7 Lockup reset (LOCKUP)

The LOCKUP gives immediate indication of seriously errant kernel software. This is the result of the core being locked because of an unrecoverable exception following the activation of the processor's built in system state protection hardware.

The LOCKUP condition causes a system reset and also causes RCM_SRS1[LOCKUP] to set.

6.2.2.8 MDM-AP system reset request

Set the System Reset Request field in the MDM-AP control register to initiate a system reset. This is the primary method for resets via the SWD interface. The system reset is held until this field is cleared.

Set the Core Hold Reset field in the MDM-AP control register to hold the core in reset as the rest of the chip comes out of system reset.

6.2.3 MCU resets

A variety of resets are generated by the MCU to reset different modules.

6.2.3.1 POR Only

The POR Only reset asserts on the POR reset source only. It resets the PMC.

The POR Only reset also causes all other reset types to occur.

6.2.3.2 Chip POR not VLLS

The Chip POR not VLLS reset asserts on POR and LVD reset sources. It resets parts of the SMC and SIM. It also resets the LPTMR.

The Chip POR not VLLS reset also causes these resets to occur: Chip POR, Chip Reset not VLLS, and Chip Reset (including Early Chip Reset).

6.2.3.3 Chip POR

The Chip POR asserts on POR, LVD, and VLLS Wakeup reset sources. It resets the Reset Pin Filter registers and parts of the SIM and MCG-Lite.

The Chip POR also causes the Chip Reset (including Early Chip Reset) to occur.

6.2.3.4 Chip Reset not VLLS

The Chip Reset not VLLS reset asserts on all reset sources except a VLLS Wakeup that does not occur via the $\overline{\text{RESET}}$ pin. It resets parts of the SMC, LLWU, and other modules that remain powered during VLLS mode.

The Chip Reset not VLLS reset also causes the Chip Reset (including Early Chip Reset) to occur.

6.2.3.5 Early Chip Reset

The Early Chip Reset asserts on all reset sources. It resets only the flash memory module. It negates before flash memory initialization begins ("earlier" than when the Chip Reset negates).

6.2.3.6 Chip Reset

Chip Reset asserts on all reset sources and only negates after flash initialization has completed and the $\overline{\text{RESET}}$ pin has also negated. It resets the remaining modules (the modules not reset by other reset types).

6.2.4 $\overline{\text{RESET}}$ pin

For all reset sources except a VLLS Wakeup that does not occur via the $\overline{\text{RESET}}$ pin, the $\overline{\text{RESET}}$ pin is driven low by the MCU for at least 128 bus clock cycles and until flash initialization has completed.

After flash initialization has completed, the $\overline{\text{RESET}}$ pin is released, and the internal Chip Reset negates after the $\overline{\text{RESET}}$ pin is pulled high. Keeping the $\overline{\text{RESET}}$ pin asserted externally delays the negation of the internal Chip Reset.

The $\overline{\text{RESET}}$ pin can be disabled by programming FTFA_FOPT[RESET_PIN_CFG] option bit to 0 (See [Table 6-2](#)). When this option is selected, there could be a short period of contention during a POR ramp where the device drives the pinout low prior to establishing the setting of this option and releasing the reset function on the pin.

6.3 Boot

The information found here describes the boot sequence, including sources and options.

Some configuration information such as clock trim values stored in factory programmed flash locations is autoloaded.

6.3.1 Boot sources

The CM0+ core adds support for a programmable Vector Table Offset Register (VTOR) to relocate the exception vector table. This device supports booting from:

- internal flash
- ROM

This device supports booting from internal flash with the reset vectors located at addresses 0x0 (initial SP_main), 0x4 (initial PC).

The device is also able to boot from ROM. The ROM start address is from 0x1C00_0000. When boot from ROM, it remaps all vector fetch to ROM base address. ROM code start pointer locates in ROM vector table which address is 0x1C00_0000 where stack pointer is offset 0x0 and reset vector is offset 0x4. Vector table and stack pointer are valid out of reset. RCM mode register is cleared by software when Boot ROM completes, this disables remapping of vector fetches. Boot source can change between reset, but is always known before core reset negation. $\overline{\text{NMI}}$ input is disabled to platform when booting from ROM. See FOPT section and [Reset Control Module](#) for more detail options.

The boot options can be overridden by using RCM_FM[2:1] and RCM_MR[2:1] which can be written by software. The boot source remains set until the next System Reset or software can write logic one to clear one or both of the mode bits.

6.3.2 FOPT boot options

The Flash Option (FOPT) register in the Flash Memory module (FTFA_FOPT) allows the user to customize the operation of the MCU at boot time. The register contains read-only bits that are loaded from the NVM's option byte in the flash configuration field. The default setting for all values in the FTFA_FOPT register is logic 1 since it is copied from the option byte residing in flash, which has all bits as logic 1 in the flash erased state. To configure for alternate settings, program the appropriate bits in the NVM option byte. The new settings will take effect on subsequent POR, VLLSx recoveries, and any system reset. For more details on programming the option byte, see the flash memory chapter.

The MCU uses FTFA_FOPT to configure the device at reset as shown in the following table. An FTFA_FOPT value of 0x00 is invalid and will be ignored. The FOPT register is written to 0xFF if the contents of the Flash nonvolatile option are 0x00.

Table 6-2. Flash Option Register (FTFA_FOPT) definition

Bit Num	Field	Value	Definition
7-6	BOOTSRC_SEL		Boot Source Selection: these bits select the boot sources if boot pin option bit BOOTPIN_OPT = 1
		00	Boot from Flash
		01	Reserved
		10	Boot from ROM
		11	Boot from ROM
5	FAST_INIT		Selects initialization speed on POR, VLLSx, and any system reset.
		0	Slower initialization: The flash initialization will be slower with the benefit of reduced average current during this time. The duration of the recovery will be controlled by the clock divider selection determined by the LPBOOT setting.
		1	Fast Initialization: The flash has faster recoveries at the expense of higher current during these times.
3	RESET_PIN_CFG		Enables/disables control for the $\overline{\text{RESET}}$ pin.
		0	<p>$\overline{\text{RESET}}$ pin is disabled following a POR and cannot be enabled as reset function. When this option is selected, there could be a short period of contention during a POR ramp where the device drives the pinout low prior to establishing the setting of this option and releasing the reset function on the pin.</p> <p>This bit is preserved through system resets and low-power modes. When $\overline{\text{RESET}}$ pin function is disabled, it cannot be used as a source for low-power mode wake-up.</p> <p>NOTE: When the reset pin has been disabled and security has been enabled by means of the FSEC register, a mass erase can be performed only by setting both the Mass Erase and System Reset Request fields in the MDM-AP register.</p>
2	NMI_DIS	1	RESET_b pin is dedicated. The port is configured as open drain and pullup enabled.
		0	RESET pin controls with internal pullup enabled. When NMI pin function is disabled, it cannot be used as a source for low-power mode wake-up.
1	BOOTPIN_OPT	1	NMI_b pin/interrupts reset default to enabled.
		0	NMI interrupts are always blocked. The associated pin continues to default to $\overline{\text{NMI}}$ pin controls with internal pullup enabled. When NMI pin function is disabled, it cannot be used as a source for low-power mode wake-up.
1	BOOTPIN_OPT		External pin selects boot options
		0	Force Boot from ROM if BOOTCFG0 asserted, where BOOTCFG0 is the boot config function which is muxed with $\overline{\text{NMI}}$ pin. $\overline{\text{RESET}}$ pin must be enabled when this option is selected.
		1	Boot source configured by FOPT[7:6] (BOOTSRC_SEL) bits
4,0	LPBOOT		Controls the reset value of OUTDIV1 value in SIM_CLKDIV1 register, and the state of the RUNM register in SMC_PMCTRL. Larger divide value selections produce lower average power consumption during POR, VLLSx recoveries and reset sequencing and after reset exit. The recovery times are also extended if the FAST_INIT option is not selected. ¹

Table continues on the next page...

**Table 6-2. Flash Option Register (FTFA_FOPT) definition
(continued)**

Bit Num	Field	Value	Definition
		00	Core and system clock divider (OUTDIV1) is 0x7 (divide by 8). Device is configured for VLPR mode on exit from reset.
		01	Core and system clock divider (OUTDIV1) is 0x3 (divide by 4). Device is configured for VLPR mode on exit from reset.
		10	Core and system clock divider (OUTDIV1) is 0x1 (divide by 2). Device is configured for RUN mode on exit from reset.
		11	Core and system clock divider (OUTDIV1) is 0x0 (divide by 1). Device is configured for RUN mode on exit from reset.

1. Refer to [Clock divider values after reset](#) and RCM_FM, RCM_MR in the [Reset Control Module \(RCM\)](#) for details.

6.3.3 Boot sequence

At power up, the on-chip regulator holds the system in a POR state until the input supply exceeds the POR threshold. The system continues to be held in this static state until the internally regulated supplies have reached a safe operating voltage as determined by the LVD. The Reset Controller logic then controls a sequence to exit reset.

1. A system reset is held on internal logic, the $\overline{\text{RESET}}$ pin is driven out low, and the MCG-Lite is enabled in its default clocking mode.
2. Required clocks are enabled (system clock, flash clock, and any bus clocks that do not have clock gate control reset to disabled).
3. The system reset on internal logic continues to be held, but the Flash Controller is released from reset and begins initialization operation while the Reset Control logic continues to drive the $\overline{\text{RESET}}$ pin out low.
4. Early in reset sequencing, the NVM option byte is read and stored to the FOPT register of the Flash Memory module (FTFA_FOPT). If the bits associated with FTFA_FOPT[LPBOOT] are programmed for an alternate clock divider reset value, the system/core clock is switched to a slower clock speed. If FTFA_FOPT[FAST_INIT] is programmed clear, the flash initialization switches to slower clock resulting longer recovery times.
5. When flash Initialization completes, the $\overline{\text{RESET}}$ pin is released. If $\overline{\text{RESET}}$ continues to be asserted (an indication of a slow rise time on the $\overline{\text{RESET}}$ pin or external drive in low), the system continues to be held in reset. Once the $\overline{\text{RESET}}$ pin is detected high, the core clock is enabled and the system is released from reset.
6. When the system exits reset, the processor sets up the stack, program counter (PC), and link register (LR). The processor reads the start SP (SP_main) from vector-table offset 0. The core reads the start PC from vector-table offset 4. LR is set to 0xFFFF_FFFF. The next sequence of events depends on the $\overline{\text{NMI}}/\text{BOOTCFG0}$ input

and FTFA_FOPT[NMI_DIS] and FTFA_FOPT[BOOTSRC_SEL] and FTFA_FOPT[BOOTPIN_OPT] as well as RCM_FM[FORCEROM] and RCM_MR[BOOTROM](See [Table 6-2](#) and RCM block guide) :

- If the $\overline{\text{NMI}}/\text{BOOTCFG0}$ input is high or the NMI function is disabled in FTFA_FOPT, the CPU begins execution at the PC location.
- If the $\overline{\text{NMI}}/\text{BOOTCFG0}$ input is low, the NMI function is enabled in FTFA_FOPT, and FTFA_FOPT[BOOTPIN_OPT] = 1, this results in an NMI interrupt. The processor executes an Exception Entry and reads the NMI interrupt handler address from vector-table offset 8. The CPU begins execution at the NMI interrupt handler.
- When FTFA_FOPT[BOOTPIN_OPT] = 0, it forces boot from ROM if $\overline{\text{NMI}}/\text{BOOTCFG0}$ pin set to 0.

NOTE

If the NMI function is not required, either for an interrupt or wake up source, it is recommended that the NMI function be disabled by clearing NMI_DIS in the FOPT register.

Subsequent system resets follow this same reset flow.

Chapter 7

Power Management

7.1 Introduction

Information about the various chip power modes and functionality of the individual modules in these modes can be found here.

See [AN4503: Power Management for Kinetis and ColdFire+ MCUs](#) for further details on power management techniques.

7.2 Clocking modes

Information found here describes the various clocking modes supported on this device.

7.2.1 Partial Stop

Partial Stop is a clocking option that can be taken instead of entering Stop mode and is configured in the SMC Stop Control Register (SMC_STOPCTRL). The Stop mode is only partially entered, which leaves some additional functionality alive at the expense of higher power consumption. Partial Stop can be entered from either Run mode or VLP Run mode.

When configured for PSTOP2, only the core and system clocks are gated and the bus clock remains active. The bus masters and bus slaves clocked by the system clock enter Stop mode, but the bus slaves clocked by bus clock remain in Run (or VLP Run) mode. The clock generators in the MCG and the on-chip regulator in the PMC also remain in Run (or VLP Run) mode. Exit from PSTOP2 can be initiated by a reset, an asynchronous interrupt from a bus master or bus slave clocked by the system clock, or a synchronous interrupt from a bus slave clocked by the bus clock. If configured, a DMA request (using the asynchronous DMA wakeup) can also be used to exit Partial Stop for the duration of a DMA transfer before the device is transitioned back into PSTOP2.

When configured for PSTOP1, both the system clock and bus clock are gated. All bus masters and bus slaves enter Stop mode, but the clock generators in the MCG and the on-chip regulator in the PMC remain in Run (or VLP Run) mode. Exit from PSTOP1 can be initiated by a reset or an asynchronous interrupt from a bus master or bus slave. If configured, an asynchronous DMA request can also be used to exit Partial Stop for the duration of a DMA transfer before the device is transitioned back into PSTOP1.

PSTOP1 is functionally similar to Stop mode, but offers faster wake-up at the expense of higher power consumption. Another benefit is that it keeps all of the MCG clocks enabled, which can be useful for some of the asynchronous peripherals that can remain functional in Stop modes.

7.2.2 DMA Wakeup

The DMA can be configured to wake the device on a DMA request whenever it is placed in Stop mode. The wake-up is configured per DMA channel and is supported in Compute Operation, PSTOP, STOP, and VLPS low power modes.

When a DMA wake-up is detected in PSTOP, STOP or VLPS then the device will initiate a normal exit from the low power mode. This can include restoring the on-chip regulator and internal power switches, enabling the clock generators in the MCG, enabling the system and bus clocks (but not the core clock) and negating the stop mode signal to the bus masters and bus slaves. The only difference is that the CPU will remain in the low power mode with the CPU clock disabled.

During Compute Operation, a DMA wake-up will initiate a normal exit from Compute Operation. This includes enabling the clocks and negating the stop mode signal to the bus masters and bus slaves. The core clock always remains enabled during Compute Operation.

Since the DMA wakeup will enable the clocks and negate the stop mode signals to all bus masters and slaves, software needs to ensure that bus masters and slaves that are not involved with the DMA wake-up and transfer remain in a known state. That can be accomplished by disabling the modules before entry into the low power mode or by setting the Doze enable bit in selected modules.

Once the DMA request that initiated the wake-up negates and the DMA completes the current transfer, the device will transition back to the original low-power mode. This includes requesting all non-CPU bus masters to enter Stop mode and then requesting bus slaves to enter Stop mode. In STOP and VLPS modes the MCG and PMC would then also enter their appropriate modes.

NOTE

If the requested DMA transfer cannot cause the DMA request to negate then the device will remain in a higher power state until the low power mode is fully exited.

An enabled DMA wake-up can cause an aborted entry into the low power mode, if the DMA request asserts during the stop mode entry sequence (or reentry if the request asserts during a DMA wakeup) and can cause the SMC to assert its Stop Abort flag. Once the DMA wake-up completes, entry into the low power mode will restart.

An interrupt that occurs during a DMA wake-up will cause an immediate exit from the low power mode (this is optional for Compute Operation) without impacting the DMA transfer.

A DMA wake-up can be generated by either a synchronous DMA request or an asynchronous DMA request. Not all peripherals can generate an asynchronous DMA request in stop modes, although in general if a peripheral can generate synchronous DMA requests and also supports asynchronous interrupts in stop modes, then it can generate an asynchronous DMA request.

7.2.3 Compute Operation

Compute Operation is an execution or compute-only mode of operation that keeps the CPU enabled with full access to the SRAM and Flash read port, but places all other bus masters and bus slaves into their stop mode. Compute Operation can be enabled in either Run mode or VLP Run mode.

NOTE

Do not enter any Stop mode without first exiting Compute Operation.

Because Compute Operation reuses the Stop mode logic (including the staged entry with bus masters disabled before bus slaves), any bus master or bus slave that can remain functional in Stop mode also remains functional in Compute Operation, including generation of asynchronous interrupts and DMA requests. When enabling Compute Operation in Run mode, module functionality for bus masters and slaves is the equivalent of STOP mode. When enabling Compute Operation in VLP Run mode, module functionality for bus masters and slaves is the equivalent of VLPS mode. The MCG, PMC, SRAM, and Flash read port are not affected by Compute Operation, although the Flash register interface is disabled.

During Compute Operation, the AIPS peripheral space is disabled and attempted accesses generate bus errors. The private peripheral space remains accessible during Compute Operation, including the MCM, NVIC, IOPORT, and SysTick. Although access to the GPIO registers via the IOPORT is supported, the GPIO Port Data Input registers do not return valid data since clocks are disabled to the Port Control and Interrupt modules. By writing to the GPIO Port Data Output registers, it is possible to control those GPIO ports that are configured as output pins.

Compute Operation is controlled by the CPO register in the MCM (MCM_CPO), which is only accessible to the CPU. Setting or clearing MCM_CPO[CPOREQ] initiates entry or exit into Compute Operation. Compute Operation can also be configured to exit automatically on detection of an interrupt, which is required in order to service most interrupts. Only the core system interrupts (exceptions, including NMI and SysTick) and any edge-sensitive interrupts can be serviced without exiting Compute Operation.

- When entering Compute Operation, the CPOACK status field in the CPO register of MCM module (MCM_CPO[CPOACK]) indicates when entry has completed.
- When exiting Compute Operation in Run mode, MCM_CPO[CPOACK] negates immediately.
- When exiting Compute Operation in VLP Run mode, the exit is delayed to allow the PMC to handle the change in power consumption. This delay means that MCM_CPO[CPOACK] is polled to determine when the AIPS peripheral space can be accessed without generating a bus error.

The DMA wake-up is also supported during Compute Operation and causes MCM_CPO[CPOACK] to clear and the AIPS peripheral space to be accessible for the duration of the DMA wakeup. At the completion of the DMA wake-up, the device transitions back into Compute Operation.

7.2.4 Peripheral Doze

Several peripherals support a Peripheral Doze mode, where a register bit can be used to disable the peripheral for the duration of a low-power mode. The flash memory can also be placed in a low-power state during Peripheral Doze via a register bit in the SIM.

Peripheral Doze is defined to include all of the modes of operation listed below.

- The CPU is in Wait mode.
- The CPU is in Stop mode, including the entry sequence and for the duration of a DMA wakeup.
- The CPU is in Compute Operation, including the entry sequence and for the duration of a DMA wakeup.

Peripheral Doze can therefore be used to disable selected bus masters or slaves for the duration of WAIT or VLPW mode. It can also be used to disable selected bus slaves immediately on entry into any stop mode (or Compute Operation), instead of waiting for the bus masters to acknowledge the entry as part of the stop entry sequence. Finally, it can be used to disable selected bus masters or slaves that should remain inactive during a DMA wakeup.

If the flash memory is not being accessed during WAIT and PSTOP modes, then the Flash Doze mode can be used to reduce power consumption, at the expense of a slightly longer wake-up when executing code and vectors from flash. It can also be used to reduce power consumption during Compute Operation when executing code and vectors from SRAM.

7.2.5 Clock gating

To conserve power, the clocks to most modules can be turned off using the SCGCx registers in the SIM module. The bits of these registers are cleared after any reset, which disables the clock to the corresponding module. Prior to initializing a module, set the corresponding bit in the SCGCx register to enable the clock. Before turning off the clock, make sure to disable the module. For more details, see the [Clock Distribution](#) and [SIM](#) chapters.

7.3 Power modes

The Power Management Controller (PMC) provides multiple power options to allow the user to optimize power consumption for the level of functionality needed.

Depending on the stop requirements of the user application, a variety of stop modes are available that provide state retention, partial power-down or full power-down of certain logic and/or memory. I/O states are held in all modes of operation. The following table compares the various power modes available.

For each run mode, there is a corresponding Wait and Stop mode. Wait modes are similar to Arm Sleep modes. Stop modes (VLPS, STOP) are similar to Arm Sleep Deep mode. The Very Low Power Run (VLPR) operating mode can drastically reduce runtime power when the maximum bus frequency is not required to handle the application needs.

Power modes

The three primary modes of operation are Run, Wait, and Stop. The WFI instruction invokes both Wait and Stop modes for the chip. The primary modes are augmented in a number of ways to provide lower power based on application needs.

Table 7-1. Chip power modes

Chip mode	Description	Core mode	Normal recovery method
Normal Run	Allows maximum performance of chip. <ul style="list-style-type: none"> • Default mode out of reset • On-chip voltage regulator is on. 	Run	—
Normal Wait - via WFI	Allows peripherals to function while the core is in Sleep mode, reducing power. <ul style="list-style-type: none"> • NVIC remains sensitive to interrupts • Peripherals continue to be clocked. 	Sleep	Interrupt
Normal Stop - via WFI	Places chip in static state. Lowest power mode that retains all registers while maintaining LVD protection. <ul style="list-style-type: none"> • NVIC is disabled. • AWIC is used to wake up from interrupt. • Peripheral clocks are stopped. 	Sleep Deep	Interrupt
VLPR (Very Low-Power Run)	On-chip voltage regulator is in a low-power mode that supplies only enough power to run the chip at a reduced frequency. Only MCG-Lite modes LIRC and EXT can be used in VLPR. <ul style="list-style-type: none"> • Reduced frequency Flash access mode (1 MHz) • LVD off • In LIRC clock mode, only the internal reference oscillator (LIRC8M) is available to provide a low power nominal 4 MHz source for the core with the nominal bus and flash clock required to be <1 MHz • Alternatively, EXT clock mode can be used with an external clock or the crystal oscillator providing the clock source. 	Run	—
VLPW (Very Low-Power Wait) -via WFI	Same as VLPR but with the core in Sleep mode to further reduce power. <ul style="list-style-type: none"> • NVIC remains sensitive to interrupts (CPU clk = ON). • On-chip voltage regulator is in a low-power mode that supplies only enough power to run the chip at a reduced frequency. 	Sleep	Interrupt
VLPS (Very Low-Power Stop)-via WFI	Places chip in static state with LVD operation off. Lowest power mode with ADC and pin interrupts functional. <ul style="list-style-type: none"> • Peripheral clocks are stopped, but OSC, LPTMR, RTC, CMP, LCD can be used. • UART, LPUART and TPM can optionally be enabled if their clock source is enabled. • NVIC is disabled (CPU clk = OFF); AWIC is used to wake up from interrupt. • On-chip voltage regulator is in a low-power mode that supplies only enough power to run the chip at a reduced frequency. • All SRAM is operating (content retained and I/O states held). 	Sleep Deep	Interrupt
LLS (Low-Leakage Stop)	State retention power mode <ul style="list-style-type: none"> • Most peripherals are in state retention mode (with clocks stopped), but OSC, LLWU, LPTMR, RTC, CMP, LCD can be used. • NVIC is disabled; LLWU is used to wake up. 	Sleep Deep	Wake-up Interrupt ¹

Table continues on the next page...

Table 7-1. Chip power modes (continued)

Chip mode	Description	Core mode	Normal recovery method
	<p>NOTE: The LLWU interrupt must not be masked by the interrupt controller to avoid a scenario where the system does not fully exit stop mode on an LLS recovery</p> <ul style="list-style-type: none"> All SRAM is operating (content retained and I/O states held). 		
VLLS3 (Very Low-Leakage Stop3)	<ul style="list-style-type: none"> Most peripherals are disabled (with clocks stopped), but OSC, LLWU, LPTMR, RTC, CMP, LCD can be used. NVIC is disabled; LLWU is used to wake up. SRAM_U and SRAM_L remain powered on (content retained and I/O states held). 	Sleep Deep	Wake-up Reset ²
VLLS1 (Very Low-Leakage Stop1)	<ul style="list-style-type: none"> Most peripherals are disabled (with clocks stopped), but OSC, LLWU, LPTMR, RTC, CMP, LCD can be used. NVIC is disabled; LLWU is used to wake up. All of SRAM_U and SRAM_L are powered off. The 32-byte system register file remains powered for customer-critical data 	Sleep Deep	Wake-up Reset ²
VLLS0 (Very Low-Leakage Stop 0)	<ul style="list-style-type: none"> Most peripherals are disabled (with clocks stopped), but LLWU, LPTMR, RTC can be used. NVIC is disabled; LLWU is used to wake up. All of SRAM_U and SRAM_L are powered off. The 32-byte system register file remains powered for customer-critical data LPO disabled, optional POR brown-out detection 	Sleep Deep	Wake-up Reset ²

- Resumes Normal Run mode operation by executing the LLWU interrupt service routine.
- Follows the reset flow with the LLWU interrupt flag set for the NVIC.

7.4 Entering and exiting power modes

The WFI instruction invokes wait and stop modes for the chip. The processor exits the low-power mode via an interrupt.

For LLS and VLLS modes, the wake-up sources are limited to LLWU generated wake-ups, $\overline{\text{NMI}}_b$ pin, or $\overline{\text{RESET}}_b$ pin assertions. When the $\overline{\text{NMI}}_b$ pin or $\overline{\text{RESET}}_b$ pin have been disabled through associated FTFA_FOPT settings, then these pins are ignored as wakeup sources. The wake-up flow from VLLSx is always through reset.

NOTE

The WFE instruction can have the side effect of entering a low-power mode, but that is not its intended usage. See Arm documentation for more on the WFE instruction.

On VLLS recoveries, the I/O pins continue to be held in a static state after code execution begins, allowing software to reconfigure the system before unlocking the I/O. RAM is retained in VLLS3 only.

7.5 Module operation in low-power modes

The table found here illustrates the functionality of each module while the chip is in each of the low power modes.

The standard behavior is shown with some exceptions for Compute Operation (CPO) and Partial Stop2 (PSTOP2).

Debug modules are discussed separately; see [Debug in low-power modes](#). Number ratings (such as 4 MHz and 1 Mbit/s) represent the maximum frequencies or maximum data rates per mode. Following is list of terms also used in the table.

- FF = Full functionality. In VLPR and VLPW, the system frequency is limited, but if a module does not have a limitation in its functionality, it is still listed as FF.
- Async operation = Fully functional with alternate clock source, provided the selected clock source remains enabled
- static = Module register states and associated memories are retained.
- powered = Memory is powered to retain contents.
- low power = Memory is powered to retain contents in a lower power state
- OFF = Modules are powered off; module is in reset state upon wake-up. For clocks, OFF means disabled.
- wakeup = Modules can serve as a wake-up source for the chip.

Table 7-2. Module operation in low power modes

Modules	VLPR	VLPW	Stop	VLPS	LLS	VLLSx
Core modules						
NVIC	FF	FF	static	static	static	OFF
System modules						
Mode Controller	FF	FF	FF	FF	FF	FF
LLWU ¹	static	static	static	static	FF	FF ²
Regulator	low power	low power	ON	low power	low power	low power in VLLS3, OFF in VLLS0/1
LVD	disabled	disabled	ON	disabled	disabled	disabled
Brown-out Detection	ON	ON	ON	ON	ON	ON in VLLS1/3, optionally disabled in VLLS0 ³
DMA	FF Async operation in CPO	FF	Async operation	Async operation	static	OFF

Table continues on the next page...

Table 7-2. Module operation in low power modes (continued)

Modules	VLPR	VLPW	Stop	VLPS	LLS	VLLSx
COP watchdog	FF static in CPO	FF	Optional work with clock source enabled in stop mode FF in PSTOP2	Optional work with clock source enabled in stop mode	static	OFF
Clocks						
1kHz LPO	ON	ON	ON	ON	ON	ON in VLLS1/3, OFF in VLLS0
System oscillator (OSC)	OSCERCLK max of 16MHz crystal	OSCERCLK max of 16MHz crystal	OSCERCLK optional	OSCERCLK max of 16MHz crystal	OSCERCLK max of 16MHz crystal	OSCERCLK max of 16MHz crystal in VLLS1/3, OFF in VLLS0
MCG_Lite	4 MHz	4 MHz	static - MCGIRCLK optional	static - MCGIRCLK optional	static - no clock output	OFF
Core clock	4 MHz max	OFF	OFF	OFF	OFF	OFF
Platform clock	4 MHz max	4 MHz max	OFF	OFF	OFF	OFF
System clock	4 MHz max OFF in CPO	4 MHz max	OFF	OFF	OFF	OFF
Bus clock	1 MHz max OFF in CPO	1 MHz max	OFF 24 MHz max in PSTOP2 from RUN 1 MHz max in PSTOP2 from VLPR	OFF	OFF	OFF
Memory and memory interfaces						
Flash	1 MHz max access - no program No register access in CPO	low power	low power	low power	OFF	OFF
SRAM_U and SRAM_L	low power	low power	low power	low power	low power	low power in VLLS3, OFF in VLLS0/1
System Register File	powered	powered	powered	powered	powered	powered
Communication interfaces						
USB FS	static	static	static	static	static	OFF
USB Voltage Regulator	optional	optional	optional	optional	optional	optional
LPUART0, LPUART1	1 Mbit/s Async operation in CPO	1 Mbit/s	Async operation FF in PSTOP2	Async operation	static	OFF

Table continues on the next page...

Table 7-2. Module operation in low power modes (continued)

Modules	VLPR	VLPW	Stop	VLPS	LLS	VLLSx
UART2	62.5 kbit/s static, wakeup on edge in CPO	62.5 kbit/s	static, wakeup on edge FF in PSTOP2	static, wakeup on edge	static	OFF
SPI0 (without FIFO)	master mode 500 kbit/s, slave mode 250 kbit/s static, slave mode receive in CPO	master mode 500 kbit/s, slave mode 250 kbit/s	static, slave mode receive FF in PSTOP2	static, slave mode receive	static	OFF
SPI1 (with FIFO)	master mode 2 Mbit/s, slave mode 1 Mbit/s static, slave mode receive in CPO	master mode 2 Mbit/s, slave mode 1 Mbit/s	static, slave mode receive	static, slave mode receive	static	OFF
I ² C0	100 kbit/s static, address match wakeup in CPO	100 kbit/s	static, address match wakeup	static, address match wakeup	static	OFF
I ² C1	100 kbit/s static, address match wakeup in CPO	100 kbit/s	static, address match wakeup	static, address match wakeup	static	OFF
FlexIO	FF	FF	FF	FF	static	OFF
Timers						
TPM	FF Async operation in CPO	FF	Async operation FF in PSTOP2	Async operation	static	OFF
PIT	FF static in CPO	FF	static	static	static	OFF
LPTMR	FF	FF	Async operation FF in PSTOP2	Async operation	Async operation	Async operation ⁴
RTC	FF Async operation in CPO	FF	Async operation FF in PSTOP2	Async operation	Async operation	Async operation ⁵
Analog						
16-bit ADC	FF ADC internal clock only in CPO	FF	ADC internal clock only FF in PSTOP2	ADC internal clock only	static	OFF

Table continues on the next page...

Table 7-2. Module operation in low power modes (continued)

Modules	VLPR	VLPW	Stop	VLPS	LLS	VLLSx
CMP ⁶	FF HS or LS compare in CPO	FF	HS or LS compare FF in PSTOP2	HS or LS compare	LS compare	LS compare in VLLS1/3, OFF in VLLS0
6-bit DAC	FF static in CPO	FF	static FF in PSTOP2	static	static	static, OFF in VLLS0
12-bit DAC	FF static in CPO	FF	static FF in PSTOP2	static	static	static, OFF in VLLS0
Internal Voltage Reference (VREF)	FF static in CPO	FF	static FF in PSTOP2	static	static	static, OFF in VLLS0
Human-machine interfaces						
GPIO	FF IOPORT write only in CPO	FF	static output, wakeup input FF in PSTOP2	static output, wakeup input	static, pins latched	OFF, pins latched
Segment LCD	FF Async operation in CPO	FF	Async operation FF in PSTOP2	Async operation	Async operation ⁷	Async operation, OFF in VLLS0 ⁷

- Using the LLWU module, the external pins available for this chip do not require the associated peripheral function to be enabled. It only requires the function controlling the pin (GPIO or peripheral) to be configured as an input to allow a transition to occur to the LLWU.
- Since LPO clock source is disabled, filters will be bypassed during VLLS0.
- STOPCTRL[PORPO] in the SMC module controls this option.
- LPO clock source is not available in VLLS0. Also, to use system OSC in VLLS0 it must be configured for bypass (external clock) operation. Pulse counting is available in all modes.
- In VLLS0 the only clocking option is from RTC_CLKIN.
- CMP in stop or VLPS supports high speed or low speed external pin to pin or external pin to DAC compares. CMP in LLS or VLLSx only supports low speed external pin to pin or external pin to DAC compares.
- End of Frame wakeup not supported in LLS and VLLSx.

Chapter 8

Security

8.1 Introduction

This device implements security based on the mode selected from the flash module.

The following sections provide an overview of flash security and details the effects of security on non-flash modules.

8.1.1 Flash security

The flash module provides security information to the MCU based on the state held by FTFA_FSEC[SEC]. The MCU, in turn, confirms the security request and limits access to flash resources. During reset, the flash module initializes FTFA_FSEC using data read from the security byte of the flash configuration field.

NOTE

The security features apply only to external accesses: debug. CPU accesses to the flash are not affected by the status of FTFA_FSEC.

In the unsecured state, all flash commands are available on the programming interfaces either from the debug port (SWD) or user code execution. When the flash is secured (FTFA_FSEC[SEC] = 00, 01, or 11), the programmer interfaces are only allowed to launch mass erase operations. Additionally, in this mode, the debug port has no access to memory locations.

8.1.2 Security interactions with other modules

The flash security settings are used by the system to determine what resources are available. The following sections describe the interactions between modules and the flash security settings or the impact that the flash security has on non-flash modules.

8.1.2.1 Security interactions with Debug

When flash security is active, the SWD port cannot access the memory resources of the MCU.

Although most debug functions are disabled, the debugger can write to the Flash Mass Erase in Progress field of the MDM-AP Control register to trigger a mass erase (Erase All Blocks) command. A mass erase via the debugger is allowed even when some memory locations are protected.

When mass erase is disabled, mass erase via the debugger is blocked.

Chapter 9

Debug

9.1 Introduction

This debug of this device is based on the Arm CoreSight™ architecture and is configured to provide the maximum flexibility as allowed by the restrictions of the pinout and other available resources.

It provides register and memory accessibility from the external debugger interface, basic run/halt control plus 2 breakpoints and 2 watchpoints.

Only one debug interface is supported:

- Serial Wire Debug (SWD)

9.2 Debug port pin descriptions

The debug port pins default after POR to their SWD functionality.

Table 9-1. Serial wire debug pin description

Pin name	Type	Description
SWD_CLK	Input	Serial Wire Clock This pin is the clock for debug logic when in the Serial Wire Debug mode. This pin is pulled down internally.
SWD_DIO	Input / Output	Serial Wire Debug Data Input/Output The SWD_DIO pin is used by an external debug tool for communication and device control. This pin is pulled up internally.

9.3 SWD status and control registers

Through the Arm Debug Access Port (DAP), the debugger has access to the status and control elements, implemented as registers on the DAP bus as shown in the figure found here.

These registers provide additional control and status for low power mode recovery and typical run-control scenarios. The status register bits also provide a means for the debugger to get updated status of the core without having to initiate a bus transaction across the crossbar switch, thus remaining less intrusive during a debug session.

It is important to note that these DAP control and status registers are not memory mapped within the system memory map and are only accessible via the Debug Access Port using SWD. The MDM-AP is accessible as Debug Access Port 1 with the available registers shown in this table.

Table 9-2. MDM-AP register summary

Address	Register	Description
0x0100_0000	Status	See MDM-AP Status Register
0x0100_0004	Control	See MDM-AP Control Register
0x0100_00FC	IDR	Read-only identification register that always reads as 0x001C_0020

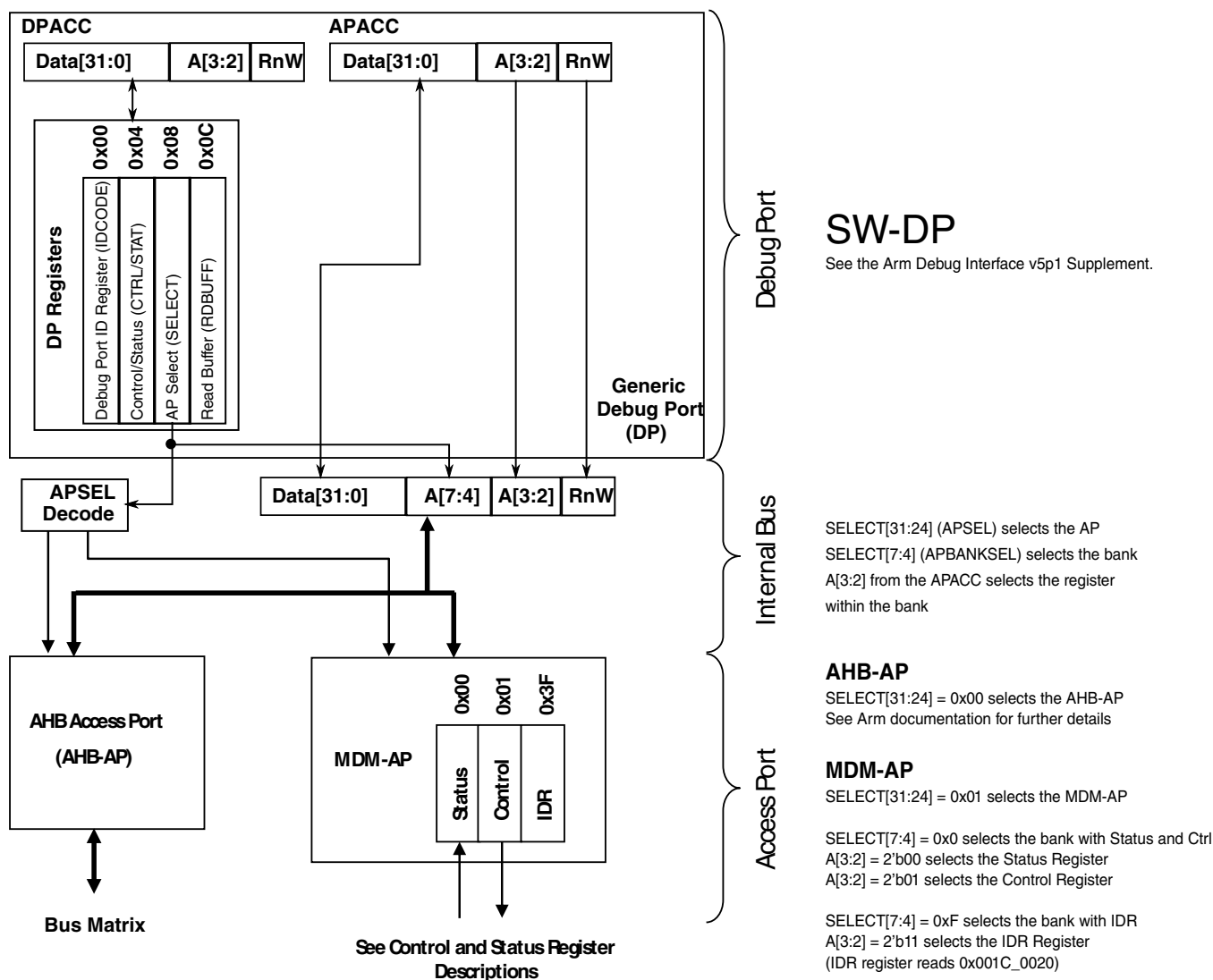


Figure 9-1. MDM AP addressing

9.3.1 MDM-AP Control Register

Table 9-3. MDM-AP Control register assignments

Bit	Name	Secure ¹	Description
0	Flash Mass Erase in Progress	Y	Set to cause mass erase. Cleared by hardware after mass erase operation completes. When mass erase is disabled (via MEEN and SEC settings), the erase request does not occur and the Flash Mass Erase in Progress bit continues to assert until the next system reset.
1	Debug Disable	N	Set to disable debug. Clear to allow debug operation. When set, it overrides the C_DEBUGEN bit within the DHCSR and force disables Debug logic.
2	Debug Request	N	Set to force the core to halt.

Table continues on the next page...

Table 9-3. MDM-AP Control register assignments (continued)

Bit	Name	Secure ¹	Description
			If the core is in a Stop or Wait mode, this bit can be used to wake the core and transition to a halted state.
3	System Reset Request	Y	Set to force a system reset. The system remains held in reset until this bit is cleared.
4	Core Hold Reset	N	Configuration bit to control core operation at the end of system reset sequencing. 0 Normal operation: Release the core from reset along with the rest of the system at the end of system reset sequencing. 1 Suspend operation: Hold the core in reset at the end of reset sequencing. Once the system enters this suspended state, clearing this control bit immediately releases the core from reset and CPU operation begins.
5	VLLSx Debug Request (VLLDBGREQ)	N	Set to configure the system to be held in reset after the next recovery from a VLLSx mode. This bit is ignored on a VLLS wakeup via the Reset pin. During a VLLS wakeup via the Reset pin, the system can be held in reset by holding the reset pin asserted allowing the debugger to reinitialize the debug modules. This bit holds the system in reset when VLLSx modes are exited to allow the debugger time to re-initialize debug IP before the debug session continues. The Mode Controller captures this bit logic on entry to VLLSx modes. Upon exit from VLLSx modes, the Mode Controller will hold the system in reset until VLLDBGACK is asserted. VLLDBGREQ clears automatically due to the POR reset generated as part of the VLLSx recovery.
6	VLLSx Debug Acknowledge (VLLDBGACK)	N	Set to release a system being held in reset following a VLLSx recovery This bit is used by the debugger to release the system reset when it is being held on VLLSx mode exit. The debugger re-initializes all debug IP and then assert this control bit to allow the Mode Controller to release the system from reset and allow CPU operation to begin. VLLDBGACK is cleared by the debugger or can be left set because it clears automatically due to the POR reset generated as part of the next VLLSx recovery.
7	LLS, VLLSx Status Acknowledge	N	Set this bit to acknowledge the DAP LLS and VLLS Status bits have been read. This acknowledge automatically clears the status bits. This bit is used by the debugger to clear the sticky LLS and VLLSx mode entry status bits. This bit is asserted and cleared by the debugger.
8 – 31	Reserved for future use	N	

1. Command available in secure mode

9.3.2 MDM-AP Status Register

Table 9-4. MDM-AP Status register assignments

Bit	Name	Description
0	Flash Mass Erase Acknowledge	<p>The Flash Mass Erase Acknowledge bit is cleared after any system reset. The bit is also cleared at launch of a mass erase command due to write of Flash Mass Erase in Progress bit in MDM AP Control Register. The Flash Mass Erase Acknowledge is set after Flash control logic has started the mass erase operation.</p> <p>When mass erase is disabled (via MEEN and SEC settings), an erase request due to setting of Flash Mass Erase in Progress bit is not acknowledged.</p>
1	Flash Ready	Indicates Flash has been initialized and debugger can be configured even if system is continuing to be held in reset via the debugger.
2	System Security	Indicates the security state. When secure, the debugger does not have access to the system bus or any memory mapped peripherals. This bit indicates when the part is locked and no system bus access is possible.
3	System Reset	<p>Indicates the system reset state.</p> <p>0 System is in reset.</p> <p>1 System is not in reset.</p>
4	Reserved	
5	Mass Erase Enable	<p>Indicates if the MCU can be mass erased or not</p> <p>0 Mass erase is disabled.</p> <p>1 Mass erase is enabled .</p>
6	Backdoor Access Key Enable	<p>Indicates if the MCU has the backdoor access key enabled.</p> <p>0 Disabled</p> <p>1 Enabled</p>
7	LP Enabled	<p>Decode of SMC_PMCTRL[STOPM] field to indicate that VLPS, LLS, or VLLSx are the selected power mode the next time the Arm Core enters Deep Sleep.</p> <p>0 Low Power Stop Mode is not enabled.</p> <p>1 Low Power Stop Mode is enabled.</p> <p>Usage intended for debug operation in which Run to VLPS is attempted. Per debug definition, the system actually enters the Stop state. A debugger should interpret deep sleep indication (with SLEEPDEEP and SLEEPING asserted), in conjunction with this bit asserted as the debugger-VLPS status indication.</p>
8	Very Low Power Mode	<p>Indicates current power mode is VLPx. This bit is not 'sticky' and should always represent whether VLPx is enabled or not.</p> <p>This bit is used to throttle SWD_CLK frequency up/down.</p>
9	LLS Mode Exit	This bit indicates an exit from LLS mode has occurred. The debugger will lose communication while the system is in LLS (including access to this register). Once communication is reestablished, this bit indicates that the system had been in LLS. Since the debug modules held their state during LLS, they do not need to be reconfigured.

Table continues on the next page...

Table 9-4. MDM-AP Status register assignments (continued)

Bit	Name	Description
		This bit is set during the LLS recovery sequence. The LLS Mode Exit bit is held until the debugger has had a chance to recognize that LLS was exited and is cleared by a write of 1 to the LLS, VLLSx Status Acknowledge bit in MDM AP Control register.
10	VLLSx Modes Exit	<p>This bit indicates an exit from VLLSx mode has occurred. The debugger will lose communication while the system is in VLLSx (including access to this register). Once communication is reestablished, this bit indicates that the system had been in VLLSx. Since the debug modules lose their state during VLLSx modes, they need to be reconfigured.</p> <p>This bit is set during the VLLSx recovery sequence. The VLLSx Mode Exit bit is held until the debugger has had a chance to recognize that a VLLS mode was exited and is cleared by a write of 1 to the LLS, VLLSx Status Acknowledge bit in MDM AP Control register.</p>
11 – 15	Reserved for future use	Always read 0.
16	Core Halted	Indicates the core has entered Debug Halt mode
17	Core SLEEPDEEP	Indicates the core has entered a low-power mode
18	Core SLEEPING	<p>SLEEPING==1 and SLEEPDEEP==0 indicates wait or VLPW mode.</p> <p>SLEEPING==1 and SLEEPDEEP==1 indicates stop or VLPS mode.</p>
19 – 31	Reserved for future use	Always read 0.

9.4 Debug resets

The debug system receives the following sources of reset:

- System POR reset

Conversely, the debug system is capable of generating system reset using the following mechanism:

- A system reset in the DAP control register which allows the debugger to hold the system in reset.
- SYSRESETREQ field in the NVIC Application Interrupt and Reset control register
- A system reset in the DAP control register which allows the debugger to hold the core in reset.

9.5 Micro Trace Buffer (MTB)

The Micro Trace Buffer (MTB) provides a simple execution trace capability for the Cortex-M0+ processor.

When enabled, the MTB records changes in program flow reported by the Cortex-M0+ processor, via the execution trace interface, into a configurable region of the SRAM. Subsequently, an off-chip debugger may extract the trace information, which would allow reconstruction of an instruction flow trace. The MTB does not include any form of load/store data trace capability or tracing of any other information.

In addition to providing the trace capability, the MTB also operates as a simple AHB-Lite SRAM controller. The system bus masters, including the processor, have read/write access to all of the SRAM via the AHB-Lite interface, allowing the memory to be also used to store program and data information. The MTB simultaneously stores the trace information into an attached SRAM and allows bus masters to access the memory. The MTB ensures that trace information write accesses to the SRAM take priority over accesses from the AHB-Lite interface.

The MTB includes trace control registers for configuring and triggering the MTB functions. The MTB also supports triggering via TSTART and TSTOP control functions in the MTB DWT module.

9.6 Debug in low-power modes

In low-power modes, in which the debug modules are kept static or powered off, the debugger cannot gather any debug data for the duration of the low-power mode.

- In the case that the debugger is held static, the debug port returns to full functionality as soon as the low-power mode exits and the system returns to a state with active debug.
- In the case that the debugger logic is powered off, the debugger is reset on recovery and must be reconfigured once the low-power mode is exited.

Power mode entry logic monitors Debug Power Up and System Power Up signals from the debug port as indications that a debugger is active. These signals can be changed in RUN, VLPR, WAIT and VLPW. If the debug signal is active and the system attempts to enter Stop or VLPS, CPU clk continues to run to support core register access. In these modes in which CPU clk is left active the debug modules have access to core registers but not to system memory resources accessed via the crossbar.

With debug enabled, transitions from Run directly to VLPS result in the system entering Stop mode instead. Status bits within the MDM-AP Status register can be evaluated to determine this pseudo-VLPS state.

NOTE

With the debug enabled, transitions from Run --> VLPR --> VLPS are still possible.

In VLLS mode, all debug modules are powered off and reset at wakeup. In LLS mode, the debug modules retain their state but no debug activity is possible.

Going into a VLLSx mode causes all the debug controls and settings to be reset. To give time to the debugger to sync up with the HW, the MDM-AP Control register can be configured to hold the system in reset on recovery so that the debugger can regain control and reconfigure debug logic prior to the system exiting reset and resuming operation.

9.7 Debug and security

When flash security is enabled, the debug port capabilities are limited in order to prevent exploitation of secure data.

In the secure state, the debugger still has access to the status register and can determine the current security state of the device. In the case of a secure device, the debugger has the capability of only performing a mass erase operation.

Chapter 10

Signal Multiplexing and Signal Descriptions

10.1 Introduction

To optimize functionality in small packages, pins have several functions available via signal multiplexing. Information found here illustrates which of this device's signals are multiplexed on which external pin.

The [Port Control](#) block controls which signal is present on the external pin. Refer to that chapter to find which register controls the operation of a specific pin.

10.2 Signal multiplexing integration

Information found here summarizes how the module is integrated into the device. For a comprehensive description of the module itself, see the module's dedicated chapter.

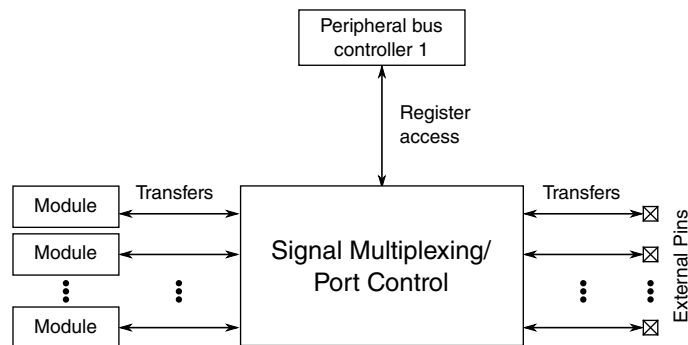


Figure 10-1. Signal multiplexing integration

Table 10-1. Reference links to related information

Topic	Related module	Reference
Full description	Port control	Port control
System memory map		System memory map

Table continues on the next page...

Table 10-1. Reference links to related information (continued)

Topic	Related module	Reference
Clocking		Clock Distribution
Register access	Peripheral bus controller	Peripheral bridge

10.2.1 Clock gating

The clock to the port control module can be gated on and off using the SCGC5[PORTx] bits in the SIM module. These bits are cleared after any reset, which disables the clock to the corresponding module to conserve power. Prior to initializing the corresponding module, set SIM_SCGC5[PORTx] to enable the clock. Before turning off the clock, make sure to disable the module. For more details, see the [Clock distribution](#) chapter.

10.2.2 Signal multiplexing constraints

1. A given peripheral function must be assigned to a maximum of one package pin. Do not program the same function to more than one pin.
2. To ensure the best signal timing for a given peripheral's interface, choose the pins in closest proximity to each other.
3. For normal operation of the LCD, use ALT0 LCD functions. The ALT7 LCD functions are only available for LCD fault detection.

10.3 K32 L2B Signal Multiplexing and Pin Assignments (LQFP and MAPBGA)

The following table shows the signals available on each pin and the locations of these pins on the devices supported by this document. The Port Control Module is responsible for selecting which ALT functionality is available on each pin.

NOTE

VREFH can act as VREF_OUT when VREFV1 module is enabled.

64 MAP BGA	64 LQFP	Pin Name	Default	ALT0	ALT1	ALT2	ALT3	ALT4	ALT5	ALT6	ALT7
A1	1	PTE0	LCD_P48	LCD_P48	PTE0/ CLKOUT32K	SPI1_MISO	LPUART1_TX	RTC_CLKOUT	CMP0_OUT	I2C1_SDA	LCD_P48
B1	2	PTE1	LCD_P49	LCD_P49	PTE1	SPI1_MOSI	LPUART1_RX		SPI1_MISO	I2C1_SCL	LCD_P49

Chapter 10 Signal Multiplexing and Signal Descriptions

64 MAP BGA	64 LQFP	Pin Name	Default	ALT0	ALT1	ALT2	ALT3	ALT4	ALT5	ALT6	ALT7
—	3	VDD	VDD	VDD							
C4	4	VSS	VSS	VSS							
E1	5	USB0_DP	USB0_DP	USB0_DP							
D1	6	USB0_DM	USB0_DM	USB0_DM							
E2	7	VOOUT33	VOOUT33	VOOUT33							
D2	8	VREGIN	VREGIN	VREGIN							
G1	9	PTE20	LCD_P59/ ADC0_DP0/ ADC0_SE0	LCD_P59/ ADC0_DP0/ ADC0_SE0	PTE20		TPM1_CH0	LPUART0_TX		FXIO0_D4	LCD_P59
F1	10	PTE21	LCD_P60/ ADC0_DM0/ ADC0_SE4a	LCD_P60/ ADC0_DM0/ ADC0_SE4a	PTE21		TPM1_CH1	LPUART0_RX		FXIO0_D5	LCD_P60
G2	11	PTE22	ADC0_DP3/ ADC0_SE3	ADC0_DP3/ ADC0_SE3	PTE22		TPM2_CH0	UART2_TX		FXIO0_D6	
F2	12	PTE23	ADC0_DM3/ ADC0_SE7a	ADC0_DM3/ ADC0_SE7a	PTE23		TPM2_CH1	UART2_RX		FXIO0_D7	
F4	13	VDDA	VDDA	VDDA							
G4	14	VREFH	VREFH	VREFH							
G3	15	VREFL	VREFL	VREFL							
F3	16	VSSA	VSSA	VSSA							
H1	17	PTE29	CMP0_IN5/ ADC0_SE4b	CMP0_IN5/ ADC0_SE4b	PTE29		TPM0_CH2	TPM_CLKIN0			
H2	18	PTE30	DAC0_OUT/ ADC0_SE23/ CMP0_IN4	DAC0_OUT/ ADC0_SE23/ CMP0_IN4	PTE30		TPM0_CH3	TPM_CLKIN1	LPUART1_TX	LPTMR0_ALT1	
H3	19	PTE31	DISABLED		PTE31		TPM0_CH4				
H4	20	PTE24	DISABLED		PTE24		TPM0_CH0		I2C0_SCL		
H5	21	PTE25	DISABLED		PTE25		TPM0_CH1		I2C0_SDA		
D3	22	PTA0	SWD_CLK		PTA0		TPM0_CH5				SWD_CLK
D4	23	PTA1	DISABLED		PTA1	LPUART0_RX	TPM2_CH0				
E5	24	PTA2	DISABLED		PTA2	LPUART0_TX	TPM2_CH1				
D5	25	PTA3	SWD_DIO		PTA3	I2C1_SCL	TPM0_CH0				SWD_DIO
G5	26	PTA4	NMI_b		PTA4	I2C1_SDA	TPM0_CH1				NMI_b
F5	27	PTA5	DISABLED		PTA5	USB_CLKIN	TPM0_CH2				
H6	28	PTA12	DISABLED		PTA12		TPM1_CH0				
G6	29	PTA13	DISABLED		PTA13		TPM1_CH1				
G7	30	VDD	VDD	VDD							
H7	31	VSS	VSS	VSS							
H8	32	PTA18	EXTAL0	EXTAL0	PTA18		LPUART1_RX	TPM_CLKIN0			
G8	33	PTA19	XTAL0	XTAL0	PTA19		LPUART1_TX	TPM_CLKIN1		LPTMR0_ALT1	
F8	34	PTA20	RESET_b		PTA20						RESET_b
F7	35	PTB0/ LLWU_P5	LCD_P0/ ADC0_SE8	LCD_P0/ ADC0_SE8	PTB0/ LLWU_P5	I2C0_SCL	TPM1_CH0				LCD_P0

K32 L2B Signal Multiplexing and Pin Assignments (LQFP and MAPBGA)

64 MAP BGA	64 LQFP	Pin Name	Default	ALT0	ALT1	ALT2	ALT3	ALT4	ALT5	ALT6	ALT7
F6	36	PTB1	LCD_P1/ ADC0_SE9	LCD_P1/ ADC0_SE9	PTB1	I2C0_SDA	TPM1_CH1				LCD_P1
E7	37	PTB2	LCD_P2/ ADC0_SE12	LCD_P2/ ADC0_SE12	PTB2	I2C0_SCL	TPM2_CH0				LCD_P2
E8	38	PTB3	LCD_P3/ ADC0_SE13	LCD_P3/ ADC0_SE13	PTB3	I2C0_SDA	TPM2_CH1				LCD_P3
E6	39	PTB16	LCD_P12	LCD_P12	PTB16	SPI1_MOSI	LPUART0_RX	TPM_CLKIN0	SPI1_MISO		LCD_P12
D7	40	PTB17	LCD_P13	LCD_P13	PTB17	SPI1_MISO	LPUART0_TX	TPM_CLKIN1	SPI1_MOSI		LCD_P13
D6	41	PTB18	LCD_P14	LCD_P14	PTB18		TPM2_CH0				LCD_P14
C7	42	PTB19	LCD_P15	LCD_P15	PTB19		TPM2_CH1				LCD_P15
D8	43	PTC0	LCD_P20/ ADC0_SE14	LCD_P20/ ADC0_SE14	PTC0		EXTRG_IN	audioUSB_ SOF_OUT	CMP0_OUT		LCD_P20
C6	44	PTC1/ LLWU_P6/ RTC_CLKIN	LCD_P21/ ADC0_SE15	LCD_P21/ ADC0_SE15	PTC1/ LLWU_P6/ RTC_CLKIN	I2C1_SCL		TPM0_CH0			LCD_P21
B7	45	PTC2	LCD_P22/ ADC0_SE11	LCD_P22/ ADC0_SE11	PTC2	I2C1_SDA		TPM0_CH1			LCD_P22
C8	46	PTC3/ LLWU_P7	LCD_P23	LCD_P23	PTC3/ LLWU_P7	SPI1_SCK	LPUART1_RX	TPM0_CH2	CLKOUT		LCD_P23
E3	47	VSS	VSS	VSS							
E4	—	VDD	VDD	VDD							
C5	48	VLL3	VLL3	VLL3							
A6	49	VLL2	VLL2/ LCD_P4	VLL2/ LCD_P4	PTC20						LCD_P4
B5	50	VLL1	VLL1/ LCD_P5	VLL1/ LCD_P5	PTC21						LCD_P5
B4	51	VCAP2	VCAP2/ LCD_P6	VCAP2/ LCD_P6	PTC22						LCD_P6
A5	52	VCAP1	VCAP1/ LCD_P39	VCAP1/ LCD_P39	PTC23						LCD_P39
B8	53	PTC4/ LLWU_P8	LCD_P24	LCD_P24	PTC4/ LLWU_P8	SPI0_SS	LPUART1_TX	TPM0_CH3			LCD_P24
A8	54	PTC5/ LLWU_P9	LCD_P25	LCD_P25	PTC5/ LLWU_P9	SPI0_SCK	LPTMR0_ALT2			CMP0_OUT	LCD_P25
A7	55	PTC6/ LLWU_P10	LCD_P26/ CMP0_IN0	LCD_P26/ CMP0_IN0	PTC6/ LLWU_P10	SPI0_MOSI	EXTRG_IN		SPI0_MISO		LCD_P26
B6	56	PTC7	LCD_P27/ CMP0_IN1	LCD_P27/ CMP0_IN1	PTC7	SPI0_MISO	audioUSB_ SOF_OUT		SPI0_MOSI		LCD_P27
C3	57	PTD0	LCD_P40	LCD_P40	PTD0	SPI0_SS		TPM0_CH0		FXIO0_D0	LCD_P40
A4	58	PTD1	LCD_P41/ ADC0_SE5b	LCD_P41/ ADC0_SE5b	PTD1	SPI0_SCK		TPM0_CH1		FXIO0_D1	LCD_P41
C2	59	PTD2	LCD_P42	LCD_P42	PTD2	SPI0_MOSI	UART2_RX	TPM0_CH2	SPI0_MISO	FXIO0_D2	LCD_P42
B3	60	PTD3	LCD_P43	LCD_P43	PTD3	SPI0_MISO	UART2_TX	TPM0_CH3	SPI0_MOSI	FXIO0_D3	LCD_P43
A3	61	PTD4/ LLWU_P14	LCD_P44	LCD_P44	PTD4/ LLWU_P14	SPI1_SS	UART2_RX	TPM0_CH4		FXIO0_D4	LCD_P44

64 MAP BGA	64 LQFP	Pin Name	Default	ALT0	ALT1	ALT2	ALT3	ALT4	ALT5	ALT6	ALT7
C1	62	PTD5	LCD_P45/ ADC0_SE6b	LCD_P45/ ADC0_SE6b	PTD5	SPI1_SCK	UART2_TX	TPM0_CH5		FXIO0_D5	LCD_P45
B2	63	PTD6/ LLWU_P15	LCD_P46/ ADC0_SE7b	LCD_P46/ ADC0_SE7b	PTD6/ LLWU_P15	SPI1_MOSI	LPUART0_RX		SPI1_MISO	FXIO0_D6	LCD_P46
A2	64	PTD7	LCD_P47	LCD_P47	PTD7	SPI1_MISO	LPUART0_TX		SPI1_MOSI	FXIO0_D7	LCD_P47

10.4 K32 L2B Signal Multiplexing and Pin Assignments (QFN)

The following table shows the signals available on each pin and the locations of these pins on the devices supported by this document. The Port Control Module is responsible for selecting which ALT functionality is available on each pin.

32 QFN	48 QFN	Pin Name	Default	ALT0	ALT1	ALT2	ALT3	ALT4	ALT5	ALT6	ALT7
—	1	VDD	VDD	VDD							
—	7	PTE20	ADC0_DP0/ ADC0_SE0	ADC0_DP0/ ADC0_SE0	PTE20		TPM1_CH0	LPUART0_TX		FXIO0_D4	
—	8	PTE21	ADC0_DM0/ ADC0_SE4a	ADC0_DM0/ ADC0_SE4a	PTE21		TPM1_CH1	LPUART0_RX		FXIO0_D5	
—	10	VREFH	VREFH	VREFH							
—	11	VREFL	VREFL	VREFL							
—	13	PTE29	CMP0_IN5/ ADC0_SE4b	CMP0_IN5/ ADC0_SE4b	PTE29		TPM0_CH2	TPM_CLKIN0			
—	15	PTE24	DISABLED		PTE24		TPM0_CH0		I2C0_SCL		
—	16	PTE25	DISABLED		PTE25		TPM0_CH1		I2C0_SDA		
—	29	PTB2	ADC0_SE12	ADC0_SE12	PTB2	I2C0_SCL	TPM2_CH0				
—	30	PTB3	ADC0_SE13	ADC0_SE13	PTB3	I2C0_SDA	TPM2_CH1				
—	31	PTB16	DISABLED		PTB16	SPI1_MOSI	LPUART0_RX	TPM_CLKIN0	SPI1_MISO		
—	32	PTB17	DISABLED		PTB17	SPI1_MISO	LPUART0_TX	TPM_CLKIN1	SPI1_MOSI		
—	33	PTC0	ADC0_SE14	ADC0_SE14	PTC0		EXTRG_IN	audioUSB_SOF_OUT	CMP0_OUT		
—	41	PTD0	DISABLED		PTD0	SPI0_SS		TPM0_CH0		FXIO0_D0	
—	42	PTD1	ADC0_SE5b	ADC0_SE5b	PTD1	SPI0_SCK		TPM0_CH1		FXIO0_D1	
—	43	PTD2	DISABLED		PTD2	SPI0_MOSI	UART2_RX	TPM0_CH2	SPI0_MISO	FXIO0_D2	
—	44	PTD3	DISABLED		PTD3	SPI0_MISO	UART2_TX	TPM0_CH3	SPI0_MOSI	FXIO0_D3	
1	—	PTE0	DISABLED		PTE0/ CLKOUT32K	SPI1_MISO	LPUART1_TX	RTC_CLKOUT	CMP0_OUT	I2C1_SDA	
2	2	VSS	VSS	VSS							
3	3	USB0_DP	USB0_DP	USB0_DP							
4	4	USB0_DM	USB0_DM	USB0_DM							
5	5	VOUT33	VOUT33	VOUT33							

K32 L2B LQFP and MAPBGA pinouts

32 QFN	48 QFN	Pin Name	Default	ALT0	ALT1	ALT2	ALT3	ALT4	ALT5	ALT6	ALT7
6	6	VREGIN	VREGIN	VREGIN							
7	9	VDDA	VDDA	VDDA							
8	12	VSSA	VSSA	VSSA							
9	14	PTE30	DAC0_OUT/ ADC0_SE23/ CMP0_IN4	DAC0_OUT/ ADC0_SE23/ CMP0_IN4	PTE30		TPM0_CH3	TPM_CLKIN1	LPUART1_TX	LPTMR0_ALT1	
10	17	PTA0	SWD_CLK		PTA0		TPM0_CH5				SWD_CLK
11	18	PTA1	DISABLED		PTA1	LPUART0_RX	TPM2_CH0				
12	19	PTA2	DISABLED		PTA2	LPUART0_TX	TPM2_CH1				
13	20	PTA3	SWD_DIO		PTA3	I2C1_SCL	TPM0_CH0				SWD_DIO
14	21	PTA4	NMI_b		PTA4	I2C1_SDA	TPM0_CH1				NMI_b
15	22	VDD	VDD	VDD							
16	23	VSS	VSS	VSS							
17	24	PTA18	EXTAL0	EXTAL0	PTA18		LPUART1_RX	TPM_CLKIN0			
18	25	PTA19	XTAL0	XTAL0	PTA19		LPUART1_TX	TPM_CLKIN1		LPTMR0_ALT1	
19	26	PTA20	RESET_b		PTA20						RESET_b
20	27	PTB0/ LLWU_P5	ADC0_SE8	ADC0_SE8	PTB0/ LLWU_P5	I2C0_SCL	TPM1_CH0				
21	28	PTB1	ADC0_SE9	ADC0_SE9	PTB1	I2C0_SDA	TPM1_CH1				
22	34	PTC1/ LLWU_P6/ RTC_CLKIN	ADC0_SE15	ADC0_SE15	PTC1/ LLWU_P6/ RTC_CLKIN	I2C1_SCL		TPM0_CH0			
23	35	PTC2	ADC0_SE11	ADC0_SE11	PTC2	I2C1_SDA		TPM0_CH1			
24	36	PTC3/ LLWU_P7	DISABLED		PTC3/ LLWU_P7	SPI1_SCK	LPUART1_RX	TPM0_CH2	CLKOUT		
25	37	PTC4/ LLWU_P8	DISABLED		PTC4/ LLWU_P8	SPI0_SS	LPUART1_TX	TPM0_CH3			
26	38	PTC5/ LLWU_P9	DISABLED		PTC5/ LLWU_P9	SPI0_SCK	LPTMR0_ALT2			CMP0_OUT	
27	39	PTC6/ LLWU_P10	CMP0_IN0	CMP0_IN0	PTC6/ LLWU_P10	SPI0_MOSI	EXTRG_IN		SPI0_MISO		
28	40	PTC7	CMP0_IN1	CMP0_IN1	PTC7	SPI0_MISO	audioUSB_ SOF_OUT		SPI0_MOSI		
29	45	PTD4/ LLWU_P14	DISABLED		PTD4/ LLWU_P14	SPI1_SS	UART2_RX	TPM0_CH4		FXIO0_D4	
30	46	PTD5	ADC0_SE6b	ADC0_SE6b	PTD5	SPI1_SCK	UART2_TX	TPM0_CH5		FXIO0_D5	
31	47	PTD6/ LLWU_P15	ADC0_SE7b	ADC0_SE7b	PTD6/ LLWU_P15	SPI1_MOSI	LPUART0_RX		SPI1_MISO	FXIO0_D6	
32	48	PTD7	DISABLED		PTD7	SPI1_MISO	LPUART0_TX		SPI1_MOSI	FXIO0_D7	

10.5 K32 L2B LQFP and MAPBGA pinouts

Figure below shows the 64 LQFP pinouts

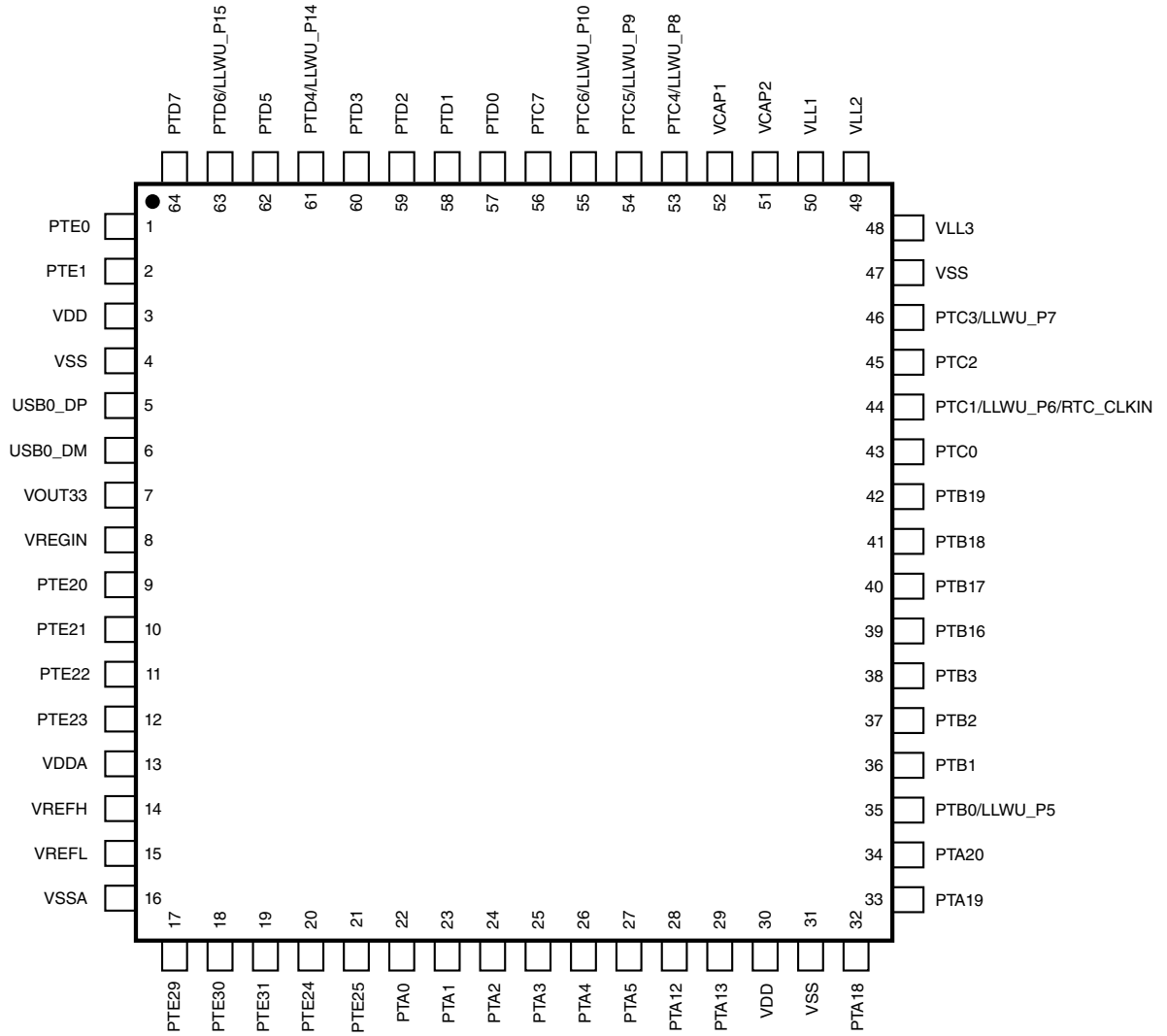


Figure 10-2. 64 LQFP Pinout diagram

Figure below shows the 64 MAPBGA pinouts

	1	2	3	4	5	6	7	8	
A	PTE0	PTD7	PTD4/ LLWU_P14	PTD1	VCAP1	VLL2	PTC6/ LLWU_P10	PTC5/ LLWU_P9	A
B	PTE1	PTD6/ LLWU_P15	PTD3	VCAP2	VLL1	PTC7	PTC2	PTC4/ LLWU_P8	B
C	PTD5	PTD2	PTD0	VSS	VLL3	PTC1/ LLWU_P6/ RTC_CLKIN	PTB19	PTC3/ LLWU_P7	C
D	USB0_DM	VREGIN	PTA0	PTA1	PTA3	PTB18	PTB17	PTC0	D
E	USB0_DP	VOUT33	VSS	VDD	PTA2	PTB16	PTB2	PTB3	E
F	PTE21	PTE23	VSSA	VDDA	PTA5	PTB1	PTB0/ LLWU_P5	PTA20	F
G	PTE20	PTE22	VREFL	VREFH	PTA4	PTA13	VDD	PTA19	G
H	PTE29	PTE30	PTE31	PTE24	PTE25	PTA12	VSS	PTA18	H
	1	2	3	4	5	6	7	8	

Figure 10-3. 64 MAPBGA Pinout diagram

10.6 K32 L2B QFN Pinouts

The figure below shows the 32 QFN pinouts.

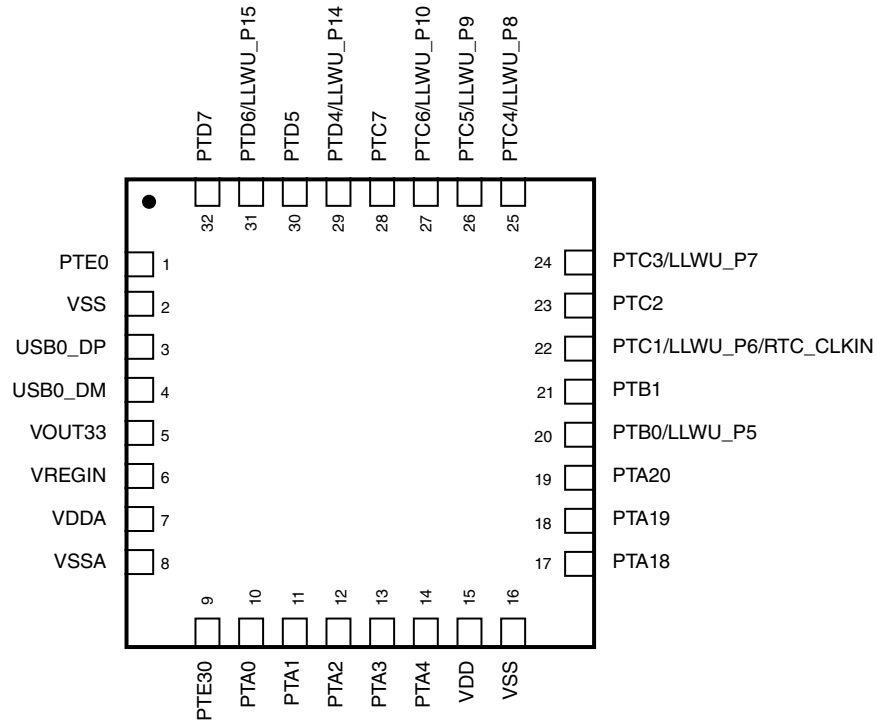


Figure 10-4. 32 QFN Pinout diagram (transparent top view)

The figure below shows the 48 QFN pinouts.

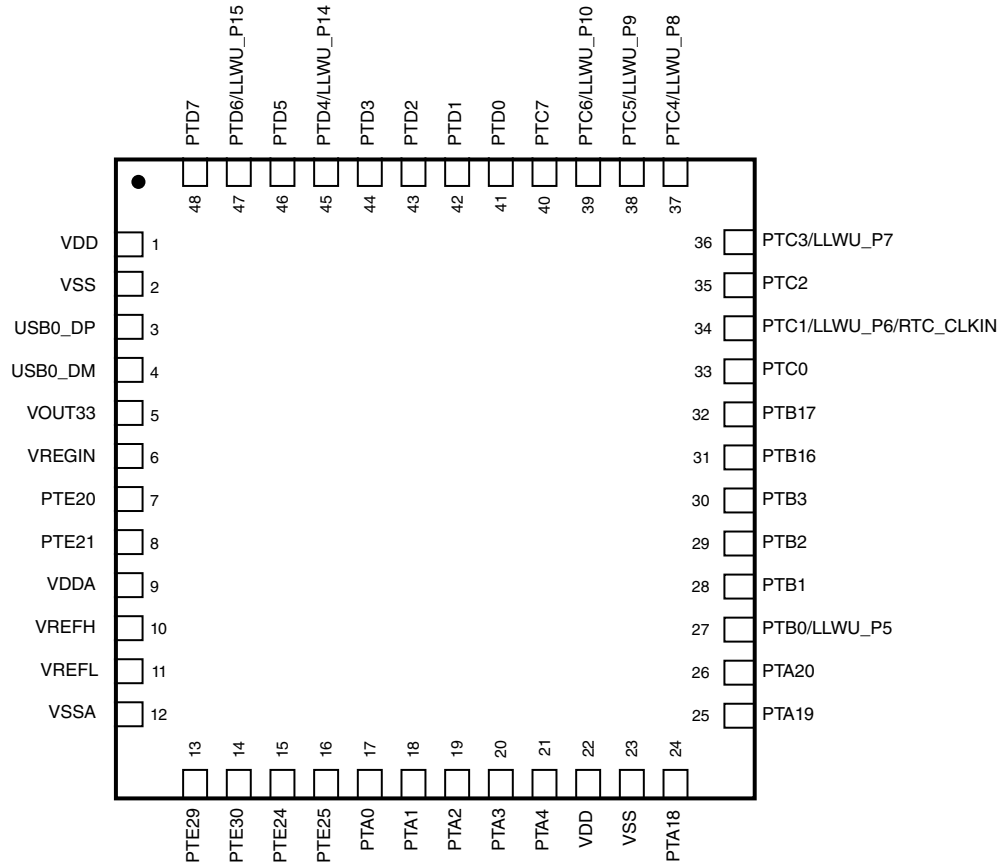


Figure 10-5. 48 QFN Pinout diagram (transparent top view)

10.7 Module Signal Description Tables

10.7.1 Core modules

Table 10-2. SWD signal descriptions

Chip signal name	Module signal name	Description	I/O
SWD_DIO	SWD_DIO	Serial Wire Debug Data Input/Output The SWD_DIO pin is used by an external debug tool for communication and device control. This pin is pulled up internally.	Input / Output
SWD_CLK	SWD_CLK	Serial Wire Clock This pin is the clock for debug logic when in the Serial Wire Debug mode. This pin is pulled down internally.	Input

10.7.2 System modules

Table 10-3. System signal descriptions

Chip signal name	Module signal name	Description	I/O
NMI	—	Non-maskable interrupt NOTE: Driving the $\overline{\text{NMI}}$ signal low forces a non-maskable interrupt, if the $\overline{\text{NMI}}$ function is selected on the corresponding pin.	I
$\overline{\text{RESET}}$	—	Reset bidirectional signal	I/O
VDD	—	MCU power	I
VSS	—	MCU ground	I

Table 10-4. LLWU signal descriptions

Chip signal name	Module signal name	Description	I/O
LLWU_Pn	LLWU_Pn	Wakeup inputs	I

10.7.3 Clock modules

Table 10-5. OSC signal descriptions

Chip signal name	Module signal name	Description	I/O
EXTAL0	EXTAL	External clock/Oscillator input	I
XTAL0	XTAL	Oscillator output	O

10.7.4 Analog

This table presents the signal descriptions of the ADC0 module.

Table 10-6. ADC0 signal descriptions

Chip signal name	Module signal name	Description	I/O
ADC0_DPn	DADP3–DADP0	Differential Analog Channel Inputs	I
ADC0_DMn	DADM3–DADM0	Differential Analog Channel Inputs	I
ADC0_SEn	ADn	Single-Ended Analog Channel Inputs	I
VREFH	V _{REFSH}	Voltage Reference Select High	I
VREFL	V _{REFSL}	Voltage Reference Select Low	I
VDDA	V _{DDA}	Analog Power Supply	I
VSSA	V _{SSA}	Analog Ground	I
EXTRG_IN	ADHWT	Hardware trigger	I

This table presents the signal descriptions of the CMP0 module.

Table 10-7. CMP0 signal descriptions

Chip signal name	Module signal name	Description	I/O
CMP0_IN[5:0]	IN[5:0]	Analog voltage inputs	I
CMP0_OUT	CMPO	Comparator output	O

This table presents the signal descriptions of the DAC0 module.

Table 10-8. DAC0 signal descriptions

Chip signal name	Module signal name	Description	I/O
DAC0_OUT	—	DAC output	O

Table 10-9. VREF signal descriptions

Chip signal name	Module signal name	Description	I/O
VREF_OUT	VREF_OUT	Internally-generated voltage reference output	O

10.7.5 Timer Modules

Table 10-10. TPM0 signal descriptions

Chip signal name	Module signal name	Description	I/O
TPM_CLKIN[1:0]	TPM_EXTCLK	External clock. TPM external clock can be selected to increment the TPM counter on every rising edge synchronized to the counter clock.	I
TPM0_CH[5:0]	TPM_CHn	TPM channel (n = 5 to 0). A TPM channel pin is configured as output when configured in an output compare or PWM mode and the TPM counter is enabled, otherwise the TPM channel pin is an input.	I/O
EXTRG_IN	ADHWT	Hardware trigger	I

Table 10-11. TPM1 signal descriptions

Chip signal name	Module signal name	Description	I/O
TPM_CLKIN[1:0]	TPM_EXTCLK	External clock. TPM external clock can be selected to increment the TPM counter on every rising edge synchronized to the counter clock.	I
TPM1_CH[1:0]	TPM_CHn	TPM channel (n = 1 to 0). A TPM channel pin is configured as output when configured in an output compare or PWM mode and the TPM counter is enabled, otherwise the TPM channel pin is an input.	I/O
EXTRG_IN	ADHWT	Hardware trigger	I

Table 10-12. TPM2 signal descriptions

Chip signal name	Module signal name	Description	I/O
TPM_CLKIN[1:0]	TPM_EXTCLK	External clock. TPM external clock can be selected to increment the TPM counter on every rising edge synchronized to the counter clock.	I
TPM2_CH[1:0]	TPM_CHn	TPM channel (n = 1 to 0). A TPM channel pin is configured as output when configured in an output compare or PWM mode and the TPM counter is enabled, otherwise the TPM channel pin is an input.	I/O
EXTRG_IN	ADHWT	Hardware trigger	I

Table 10-13. LPTMR0 signal descriptions

Chip signal name	Module signal name	Description	I/O
LPTMR0_ALT[3:1]	LPTMR0_ALTn	Pulse Counter Input pin	I

Table 10-14. RTC signal descriptions

Chip signal name	Module signal name	Description	I/O
RTC_CLKOUT ¹	RTC_CLKOUT	1 Hz square-wave output or OSCERCLK	O

1. RTC_CLKOUT can also be driven with OSCERCLK via SIM control bit SIM_SOPT[RCTCLKOUTSEL]

10.7.6 Communication interfaces

Table 10-15. USB FS OTG Signal Descriptions

Chip signal name	Module signal name	Description	I/O
USB0_DM	usb_dm	USB D- analog data signal on the USB bus.	I/O
USB0_DP	usb_dp	USB D+ analog data signal on the USB bus.	I/O
USB_CLKIN	—	Alternate USB clock input	I

Table 10-16. USB VREG Signal Descriptions

Chip signal name	Module signal name	Description	I/O
VOUT33	reg33_out	Regulator output voltage	O
VREGIN	reg33_in	Unregulated power supply	I

Table 10-17. SPI0 signal descriptions

Chip signal name	Module signal name	Description	I/O
SPI0_MISO	MISO	Master Data In, Slave Data Out	I/O
SPI0_MOSI	MOSI	Master Data Out, Slave Data In	I/O
SPI0_SCLK	SPSCK	SPI Serial Clock	I/O
SPI0_PCS0	\overline{SS}	Slave Select	I/O

Table 10-18. SPI1 signal descriptions

Chip signal name	Module signal name	Description	I/O
SPI1_MISO	MISO	Master Data In, Slave Data Out	I/O
SPI1_MOSI	MOSI	Master Data Out, Slave Data In	I/O
SPI1_SCLK	SPSCK	SPI Serial Clock	I/O
SPI1_PCS0	\overline{SS}	Slave Select	I/O

Table 10-19. I²C0 signal descriptions

Chip signal name	Module signal name	Description	I/O
I2C0_SCL	SCL	Bidirectional serial clock line of the I ² C system.	I/O
I2C0_SDA	SDA	Bidirectional serial data line of the I ² C system.	I/O

Table 10-20. I²C1 signal descriptions

Chip signal name	Module signal name	Description	I/O
I2C1_SCL	SCL	Bidirectional serial clock line of the I ² C system.	I/O
I2C1_SDA	SDA	Bidirectional serial data line of the I ² C system.	I/O

Table 10-21. LPUART0 signal descriptions

Chip signal name	Module signal name	Description	I/O
LPUART0_TX	TxD	Transmit data	O
LPUART0_RX	RxD	Receive data	I

Table 10-22. LPUART1 signal descriptions

Chip signal name	Module signal name	Description	I/O
LPUART1_TX	TxD	Transmit data	I/O
LPUART1_RX	RxD	Receive data	I

Table 10-23. UART2 signal descriptions

Chip signal name	Module signal name	Description	I/O
UART2_TX	TxD	Transmit data	O
UART2_RX	RxD	Receive data	I

Table 10-24. FlexIO signal descriptions

Chip signal name	Module signal name	Description	I/O
FXIO0_Dx	FXIO_Dn (n=0...7)	Bidirectional FlexIO Shifter and Timer pin inputs/outputs	I/O
EXTRG_IN	ADHWT	Hardware trigger	I

10.7.7 Human-machine interfaces (HMI)

Table 10-25. GPIO Signal Descriptions

Chip signal name	Module signal name	Description	I/O
PTA[20:0]	PORTA20–PORTA0	General-purpose input/output	I/O
PTB[19:0]	PORTB19–PORTB0	General-purpose input/output	I/O
PTD[7:0]	PORTD7–PORTD0	General-purpose input/output	I/O
PTE[31:0]	PORTE31–PORTE0	General-purpose input/output	I/O

Table 10-26. LCD Signal Descriptions

Chip signal name	Module signal name	Description	I/O
LCD_Pn	LCD_P[63:0] . 64 LCD front plane/back plane	Configurable front plane/back plane driver that connects directly to the display. LCD_P[63:0] can operate as GPIO pins	O
V _{LL1} , V _{LL2} , V _{LL3}	V _{LL1} , V _{LL2} , V _{LL3} . LCD bias voltages	LCD bias voltages (requires external capacitors when charge pump is used).	I/O
V _{cap1} , V _{cap2}	V _{cap1} , V _{cap2} : LCD charge pump capacitance.	Charge pump capacitor pins.	O

Chapter 11

Port Control and Interrupts (PORT)

11.1 Chip-specific PORT information

The following table list registers that are not implemented in this device:

Absolute address (hex)	Register names	Notes
4004_9020-4004_902C	PORTA_PCR8, PORTA_PCR9, PORTA_PCR10, and PORTA_PCR11	Not implemented in this device.
4004_9054-4004_907C	PORTA_PCR21, PORTA_PCR22, PORTA_PCR23, PORTA_PCR24, PORTA_PCR25, PORTA_PCR26, PORTA_PCR27, PORTA_PCR28, PORTA_PCR29, PORTA_PCR30, and PORTA_PCR31	
4004_A010-4004_A018	PORTB_PCR4, PORTB_PCR5, and PORTB_PCR6	
4004_A030-4004_A03C	PORTB_PCR12, PORTB_PCR13, PORTB_PCR14, and PORTB_PCR15	
4004_A060-4004_A07C	PORTB_PCR24, PORTB_PCR25, PORTB_PCR26, PORTB_PCR27, PORTB_PCR28, PORTB_PCR29, PORTB_PCR30, and PORTB_PCR31	
4004_B038	PORTC_PCR14	
4004_B03C	PORTC_PCR15	
4004_B04C	PORTC_PCR19	
4004_B060-4004_B07C	PORTC_PCR24, PORTC_PCR25, PORTC_PCR26, PORTC_PCR27, PORTC_PCR28, PORTC_PCR29, PORTC_PCR30, and PORTC_PCR31	
4004_C020-4004_C07C	PORTD_PCR8, PORTD_PCR9, PORTD_PCR10, PORTD_PCR11, PORTD_PCR12, PORTD_PCR13, PORTD_PCR14, PORTD_PCR15, PORTD_PCR16, PORTD_PCR17, PORTD_PCR18, PORTD_PCR19, PORTD_PCR20, PORTD_PCR21, PORTD_PCR22, PORTD_PCR23, PORTD_PCR24, PORTD_PCR25,	

Table continues on the next page...

Port control and interrupt summary

Absolute address (hex)	Register names	Notes
	PORTD_PCR26, PORTD_PCR27, PORTD_PCR28, PORTD_PCR29, PORTD_PCR30, and PORTD_PCR31	
4004_D01C-4004_D03C	PORTE_PCR7, PORTE_PCR8, PORTE_PCR9, PORTE_PCR10, PORTE_PCR11, PORTE_PCR12, PORTE_PCR13, PORTE_PCR14, and PORTE_PCR15	
4004_D06C	PORTE_PCR27	
4004_D070	PORTE_PCR28	

11.2 Port control and interrupt summary

The following table provides more information regarding the Port Control and Interrupt configurations .

Table 11-1. Ports summary

Feature	Port A	Port B	Port C	Port D	Port E
Pull select control	Yes	Yes	Yes	Yes	Yes
Pull select at reset	PTA0=Pull down, Others=Pull up	Pull up	Pull up	Pull up	Pull up
Pull enable control	Yes	Yes	Yes	Yes	Yes
Pull enable at reset	PTA0/PTA3/PTA4/ RESET_b=Enabled ; Others=Disabled	Disabled	Disabled	Disabled	Disabled
Slew rate enable control	Yes	Yes	Yes	Yes	Yes
Slew rate enable at reset	PTA3/PTA14/ PTA15/PTA16/ PTA17=Fast Slew; Others=Slow Slew	PTB10/PTB11/ PTB16/PTB17 = Fast Slew; Others=Slow Slew	PTC3/PTC4/PTC5/ PTC6/PTC7=Fast Slew; Others=Slow Slew	PTD4/PTD5/PTD6/ PTD7=Fast Slew; Others=Slow Slew	PTE16/PTE17/ PTE18/PTE19 =Fast Slew; Others=Slow Slew
Passive filter enable control	PTA4 and RESET_b only	No	No	No	No
Passive filter enable at reset	RESET_b=Enabled ; Others=Disabled	Disabled	Disabled	Disabled	Disabled
Open drain enable control ¹	No	No	No	No	No
Open drain enable at reset	Disabled	Disabled	Disabled	Disabled	Disabled
Drive strength enable control	No	PTB0/PTB1 only	PTC3 and PTC4	PTD6/PTD7 only	No
Drive strength enable at reset	Disabled	Disabled	Disabled	Disabled	Disabled
Pin mux control	Yes	Yes	Yes	Yes	Yes

Table continues on the next page...

Table 11-1. Ports summary (continued)

Feature	Port A	Port B	Port C	Port D	Port E
Pin mux at reset	PTA0/PTA3/ PTA4=ALT7; PTA20=ALT7; Others=ALT0	ALT0	ALT0	ALT0	ALT0
Lock bit	No	No	No	No	No
Interrupt and DMA request	Yes	No	Yes	Yes	No
Digital glitch filter	No	No	No	No	No

1. UART signals can be configured for open-drain using SIM_SOPT5 register. IIC signals are automatically enabled for open drain when selected.

NOTE

PTA20 RESET_b's PUE/PUS are not controlled by PORTA_PCR20's PUE/PUS, but they are tied to pull up enabled; LPTMR0_ALT1/2/3 's PUE/PUS is tied to disabled.

11.3 Introduction

11.4 Overview

The Port Control and Interrupt (PORT) module provides support for port control, and external interrupt functions.

Most functions can be configured independently for each pin in the 32-bit port and affect the pin regardless of its pin muxing state.

There is one instance of the PORT module for each port. Not all pins within each port are implemented on a specific device.

11.4.1 Features

The PORT module has the following features:

- Pin interrupt on selected pins
 - Interrupt flag and enable registers for each pin
 - Support for edge sensitive (rising, falling, both) or level sensitive (low, high) configured per pin
 - Support for interrupt or DMA request configured per pin

- Asynchronous wake-up in low-power modes
- Pin interrupt is functional in all digital pin muxing modes
- Port control
 - Individual pull control fields with pullup, pulldown, and pull-disable support on selected pins
 - Individual drive strength field supporting high and low drive strength on selected pins
 - Individual slew rate field supporting fast and slow slew rates on selected pins
 - Individual input passive filter field supporting enable and disable of the individual input passive filter on selected pins
 - Individual mux control field supporting analog or pin disabled, GPIO, and up to chip-specific digital functions
 - Pad configuration fields are functional in all digital pin muxing modes.

11.4.2 Modes of operation

11.4.2.1 Run mode

In Run mode, the PORT operates normally.

11.4.2.2 Wait mode

In Wait mode, PORT continues to operate normally and may be configured to exit the Low-Power mode if an enabled interrupt is detected. DMA requests are still generated during the Wait mode, but do not cause an exit from the Low-Power mode.

11.4.2.3 Stop mode

In Stop mode, the PORT can be configured to exit the Low-Power mode via an asynchronous wake-up signal if an enabled interrupt is detected.

11.4.2.4 Debug mode

In Debug mode, PORT operates normally.

11.5 External signal description

The table found here describes the PORT external signal.

Table 11-2. Signal properties

Name	Function	I/O	Reset	Pull
PORTx[31:0]	External interrupt	I/O	0	-

NOTE

Not all pins within each port are implemented on each device.

11.6 Detailed signal description

The table found here contains the detailed signal description for the PORT interface.

Table 11-3. PORT interface—detailed signal description

Signal	I/O	Description	
PORTx[31:0]	I/O	External interrupt.	
		State meaning	Asserted—pin is logic 1. Negated—pin is logic 0.
		Timing	Assertion—may occur at any time and can assert asynchronously to the system clock. Negation—may occur at any time and can assert asynchronously to the system clock.

11.7 Memory map and register definition

Any read or write access to the PORT memory space that is outside the valid memory map results in a bus error. All register accesses complete with zero wait states.

PORT memory map

Absolute address (hex)	Register name	Width (in bits)	Access	Reset value	Section/page
4004_9000	Pin Control Register n (PORTA_PCR0)	32	R/W	See section	11.7.1/141
4004_9004	Pin Control Register n (PORTA_PCR1)	32	R/W	See section	11.7.1/141
4004_9008	Pin Control Register n (PORTA_PCR2)	32	R/W	See section	11.7.1/141

Table continues on the next page...

PORT memory map (continued)

Absolute address (hex)	Register name	Width (in bits)	Access	Reset value	Section/page
4004_900C	Pin Control Register n (PORTA_PCR3)	32	R/W	See section	11.7.1/141
4004_9010	Pin Control Register n (PORTA_PCR4)	32	R/W	See section	11.7.1/141
4004_9014	Pin Control Register n (PORTA_PCR5)	32	R/W	See section	11.7.1/141
4004_9018	Pin Control Register n (PORTA_PCR6)	32	R/W	See section	11.7.1/141
4004_901C	Pin Control Register n (PORTA_PCR7)	32	R/W	See section	11.7.1/141
4004_9020	Pin Control Register n (PORTA_PCR8)	32	R/W	See section	11.7.1/141
4004_9024	Pin Control Register n (PORTA_PCR9)	32	R/W	See section	11.7.1/141
4004_9028	Pin Control Register n (PORTA_PCR10)	32	R/W	See section	11.7.1/141
4004_902C	Pin Control Register n (PORTA_PCR11)	32	R/W	See section	11.7.1/141
4004_9030	Pin Control Register n (PORTA_PCR12)	32	R/W	See section	11.7.1/141
4004_9034	Pin Control Register n (PORTA_PCR13)	32	R/W	See section	11.7.1/141
4004_9038	Pin Control Register n (PORTA_PCR14)	32	R/W	See section	11.7.1/141
4004_903C	Pin Control Register n (PORTA_PCR15)	32	R/W	See section	11.7.1/141
4004_9040	Pin Control Register n (PORTA_PCR16)	32	R/W	See section	11.7.1/141
4004_9044	Pin Control Register n (PORTA_PCR17)	32	R/W	See section	11.7.1/141
4004_9048	Pin Control Register n (PORTA_PCR18)	32	R/W	See section	11.7.1/141
4004_904C	Pin Control Register n (PORTA_PCR19)	32	R/W	See section	11.7.1/141
4004_9050	Pin Control Register n (PORTA_PCR20)	32	R/W	See section	11.7.1/141
4004_9054	Pin Control Register n (PORTA_PCR21)	32	R/W	See section	11.7.1/141
4004_9058	Pin Control Register n (PORTA_PCR22)	32	R/W	See section	11.7.1/141
4004_905C	Pin Control Register n (PORTA_PCR23)	32	R/W	See section	11.7.1/141
4004_9060	Pin Control Register n (PORTA_PCR24)	32	R/W	See section	11.7.1/141
4004_9064	Pin Control Register n (PORTA_PCR25)	32	R/W	See section	11.7.1/141
4004_9068	Pin Control Register n (PORTA_PCR26)	32	R/W	See section	11.7.1/141
4004_906C	Pin Control Register n (PORTA_PCR27)	32	R/W	See section	11.7.1/141
4004_9070	Pin Control Register n (PORTA_PCR28)	32	R/W	See section	11.7.1/141
4004_9074	Pin Control Register n (PORTA_PCR29)	32	R/W	See section	11.7.1/141
4004_9078	Pin Control Register n (PORTA_PCR30)	32	R/W	See section	11.7.1/141
4004_907C	Pin Control Register n (PORTA_PCR31)	32	R/W	See section	11.7.1/141
4004_9080	Global Pin Control Low Register (PORTA_GPCLR)	32	W (always reads 0)	0000_0000h	11.7.2/144
4004_9084	Global Pin Control High Register (PORTA_GPCHR)	32	W (always reads 0)	0000_0000h	11.7.3/144
4004_90A0	Interrupt Status Flag Register (PORTA_ISFR)	32	w1c	0000_0000h	11.7.4/145
4004_A000	Pin Control Register n (PORTB_PCR0)	32	R/W	See section	11.7.1/141
4004_A004	Pin Control Register n (PORTB_PCR1)	32	R/W	See section	11.7.1/141
4004_A008	Pin Control Register n (PORTB_PCR2)	32	R/W	See section	11.7.1/141

Table continues on the next page...

PORT memory map (continued)

Absolute address (hex)	Register name	Width (in bits)	Access	Reset value	Section/page
4004_A00C	Pin Control Register n (PORTB_PCR3)	32	R/W	See section	11.7.1/141
4004_A010	Pin Control Register n (PORTB_PCR4)	32	R/W	See section	11.7.1/141
4004_A014	Pin Control Register n (PORTB_PCR5)	32	R/W	See section	11.7.1/141
4004_A018	Pin Control Register n (PORTB_PCR6)	32	R/W	See section	11.7.1/141
4004_A01C	Pin Control Register n (PORTB_PCR7)	32	R/W	See section	11.7.1/141
4004_A020	Pin Control Register n (PORTB_PCR8)	32	R/W	See section	11.7.1/141
4004_A024	Pin Control Register n (PORTB_PCR9)	32	R/W	See section	11.7.1/141
4004_A028	Pin Control Register n (PORTB_PCR10)	32	R/W	See section	11.7.1/141
4004_A02C	Pin Control Register n (PORTB_PCR11)	32	R/W	See section	11.7.1/141
4004_A030	Pin Control Register n (PORTB_PCR12)	32	R/W	See section	11.7.1/141
4004_A034	Pin Control Register n (PORTB_PCR13)	32	R/W	See section	11.7.1/141
4004_A038	Pin Control Register n (PORTB_PCR14)	32	R/W	See section	11.7.1/141
4004_A03C	Pin Control Register n (PORTB_PCR15)	32	R/W	See section	11.7.1/141
4004_A040	Pin Control Register n (PORTB_PCR16)	32	R/W	See section	11.7.1/141
4004_A044	Pin Control Register n (PORTB_PCR17)	32	R/W	See section	11.7.1/141
4004_A048	Pin Control Register n (PORTB_PCR18)	32	R/W	See section	11.7.1/141
4004_A04C	Pin Control Register n (PORTB_PCR19)	32	R/W	See section	11.7.1/141
4004_A050	Pin Control Register n (PORTB_PCR20)	32	R/W	See section	11.7.1/141
4004_A054	Pin Control Register n (PORTB_PCR21)	32	R/W	See section	11.7.1/141
4004_A058	Pin Control Register n (PORTB_PCR22)	32	R/W	See section	11.7.1/141
4004_A05C	Pin Control Register n (PORTB_PCR23)	32	R/W	See section	11.7.1/141
4004_A060	Pin Control Register n (PORTB_PCR24)	32	R/W	See section	11.7.1/141
4004_A064	Pin Control Register n (PORTB_PCR25)	32	R/W	See section	11.7.1/141
4004_A068	Pin Control Register n (PORTB_PCR26)	32	R/W	See section	11.7.1/141
4004_A06C	Pin Control Register n (PORTB_PCR27)	32	R/W	See section	11.7.1/141
4004_A070	Pin Control Register n (PORTB_PCR28)	32	R/W	See section	11.7.1/141
4004_A074	Pin Control Register n (PORTB_PCR29)	32	R/W	See section	11.7.1/141
4004_A078	Pin Control Register n (PORTB_PCR30)	32	R/W	See section	11.7.1/141
4004_A07C	Pin Control Register n (PORTB_PCR31)	32	R/W	See section	11.7.1/141
4004_A080	Global Pin Control Low Register (PORTB_GPCLR)	32	W (always reads 0)	0000_0000h	11.7.2/144
4004_A084	Global Pin Control High Register (PORTB_GPCHR)	32	W (always reads 0)	0000_0000h	11.7.3/144
4004_A0A0	Interrupt Status Flag Register (PORTB_ISFR)	32	w1c	0000_0000h	11.7.4/145
4004_B000	Pin Control Register n (PORTC_PCR0)	32	R/W	See section	11.7.1/141
4004_B004	Pin Control Register n (PORTC_PCR1)	32	R/W	See section	11.7.1/141
4004_B008	Pin Control Register n (PORTC_PCR2)	32	R/W	See section	11.7.1/141

Table continues on the next page...

PORT memory map (continued)

Absolute address (hex)	Register name	Width (in bits)	Access	Reset value	Section/page
4004_B00C	Pin Control Register n (PORTC_PCR3)	32	R/W	See section	11.7.1/141
4004_B010	Pin Control Register n (PORTC_PCR4)	32	R/W	See section	11.7.1/141
4004_B014	Pin Control Register n (PORTC_PCR5)	32	R/W	See section	11.7.1/141
4004_B018	Pin Control Register n (PORTC_PCR6)	32	R/W	See section	11.7.1/141
4004_B01C	Pin Control Register n (PORTC_PCR7)	32	R/W	See section	11.7.1/141
4004_B020	Pin Control Register n (PORTC_PCR8)	32	R/W	See section	11.7.1/141
4004_B024	Pin Control Register n (PORTC_PCR9)	32	R/W	See section	11.7.1/141
4004_B028	Pin Control Register n (PORTC_PCR10)	32	R/W	See section	11.7.1/141
4004_B02C	Pin Control Register n (PORTC_PCR11)	32	R/W	See section	11.7.1/141
4004_B030	Pin Control Register n (PORTC_PCR12)	32	R/W	See section	11.7.1/141
4004_B034	Pin Control Register n (PORTC_PCR13)	32	R/W	See section	11.7.1/141
4004_B038	Pin Control Register n (PORTC_PCR14)	32	R/W	See section	11.7.1/141
4004_B03C	Pin Control Register n (PORTC_PCR15)	32	R/W	See section	11.7.1/141
4004_B040	Pin Control Register n (PORTC_PCR16)	32	R/W	See section	11.7.1/141
4004_B044	Pin Control Register n (PORTC_PCR17)	32	R/W	See section	11.7.1/141
4004_B048	Pin Control Register n (PORTC_PCR18)	32	R/W	See section	11.7.1/141
4004_B04C	Pin Control Register n (PORTC_PCR19)	32	R/W	See section	11.7.1/141
4004_B050	Pin Control Register n (PORTC_PCR20)	32	R/W	See section	11.7.1/141
4004_B054	Pin Control Register n (PORTC_PCR21)	32	R/W	See section	11.7.1/141
4004_B058	Pin Control Register n (PORTC_PCR22)	32	R/W	See section	11.7.1/141
4004_B05C	Pin Control Register n (PORTC_PCR23)	32	R/W	See section	11.7.1/141
4004_B060	Pin Control Register n (PORTC_PCR24)	32	R/W	See section	11.7.1/141
4004_B064	Pin Control Register n (PORTC_PCR25)	32	R/W	See section	11.7.1/141
4004_B068	Pin Control Register n (PORTC_PCR26)	32	R/W	See section	11.7.1/141
4004_B06C	Pin Control Register n (PORTC_PCR27)	32	R/W	See section	11.7.1/141
4004_B070	Pin Control Register n (PORTC_PCR28)	32	R/W	See section	11.7.1/141
4004_B074	Pin Control Register n (PORTC_PCR29)	32	R/W	See section	11.7.1/141
4004_B078	Pin Control Register n (PORTC_PCR30)	32	R/W	See section	11.7.1/141
4004_B07C	Pin Control Register n (PORTC_PCR31)	32	R/W	See section	11.7.1/141
4004_B080	Global Pin Control Low Register (PORTC_GPCLR)	32	W (always reads 0)	0000_0000h	11.7.2/144
4004_B084	Global Pin Control High Register (PORTC_GPCHR)	32	W (always reads 0)	0000_0000h	11.7.3/144
4004_B0A0	Interrupt Status Flag Register (PORTC_ISFR)	32	w1c	0000_0000h	11.7.4/145
4004_C000	Pin Control Register n (PORTD_PCR0)	32	R/W	See section	11.7.1/141
4004_C004	Pin Control Register n (PORTD_PCR1)	32	R/W	See section	11.7.1/141
4004_C008	Pin Control Register n (PORTD_PCR2)	32	R/W	See section	11.7.1/141

Table continues on the next page...

PORT memory map (continued)

Absolute address (hex)	Register name	Width (in bits)	Access	Reset value	Section/page
4004_C00C	Pin Control Register n (PORTD_PCR3)	32	R/W	See section	11.7.1/141
4004_C010	Pin Control Register n (PORTD_PCR4)	32	R/W	See section	11.7.1/141
4004_C014	Pin Control Register n (PORTD_PCR5)	32	R/W	See section	11.7.1/141
4004_C018	Pin Control Register n (PORTD_PCR6)	32	R/W	See section	11.7.1/141
4004_C01C	Pin Control Register n (PORTD_PCR7)	32	R/W	See section	11.7.1/141
4004_C020	Pin Control Register n (PORTD_PCR8)	32	R/W	See section	11.7.1/141
4004_C024	Pin Control Register n (PORTD_PCR9)	32	R/W	See section	11.7.1/141
4004_C028	Pin Control Register n (PORTD_PCR10)	32	R/W	See section	11.7.1/141
4004_C02C	Pin Control Register n (PORTD_PCR11)	32	R/W	See section	11.7.1/141
4004_C030	Pin Control Register n (PORTD_PCR12)	32	R/W	See section	11.7.1/141
4004_C034	Pin Control Register n (PORTD_PCR13)	32	R/W	See section	11.7.1/141
4004_C038	Pin Control Register n (PORTD_PCR14)	32	R/W	See section	11.7.1/141
4004_C03C	Pin Control Register n (PORTD_PCR15)	32	R/W	See section	11.7.1/141
4004_C040	Pin Control Register n (PORTD_PCR16)	32	R/W	See section	11.7.1/141
4004_C044	Pin Control Register n (PORTD_PCR17)	32	R/W	See section	11.7.1/141
4004_C048	Pin Control Register n (PORTD_PCR18)	32	R/W	See section	11.7.1/141
4004_C04C	Pin Control Register n (PORTD_PCR19)	32	R/W	See section	11.7.1/141
4004_C050	Pin Control Register n (PORTD_PCR20)	32	R/W	See section	11.7.1/141
4004_C054	Pin Control Register n (PORTD_PCR21)	32	R/W	See section	11.7.1/141
4004_C058	Pin Control Register n (PORTD_PCR22)	32	R/W	See section	11.7.1/141
4004_C05C	Pin Control Register n (PORTD_PCR23)	32	R/W	See section	11.7.1/141
4004_C060	Pin Control Register n (PORTD_PCR24)	32	R/W	See section	11.7.1/141
4004_C064	Pin Control Register n (PORTD_PCR25)	32	R/W	See section	11.7.1/141
4004_C068	Pin Control Register n (PORTD_PCR26)	32	R/W	See section	11.7.1/141
4004_C06C	Pin Control Register n (PORTD_PCR27)	32	R/W	See section	11.7.1/141
4004_C070	Pin Control Register n (PORTD_PCR28)	32	R/W	See section	11.7.1/141
4004_C074	Pin Control Register n (PORTD_PCR29)	32	R/W	See section	11.7.1/141
4004_C078	Pin Control Register n (PORTD_PCR30)	32	R/W	See section	11.7.1/141
4004_C07C	Pin Control Register n (PORTD_PCR31)	32	R/W	See section	11.7.1/141
4004_C080	Global Pin Control Low Register (PORTD_GPCLR)	32	W (always reads 0)	0000_0000h	11.7.2/144
4004_C084	Global Pin Control High Register (PORTD_GPCHR)	32	W (always reads 0)	0000_0000h	11.7.3/144
4004_C0A0	Interrupt Status Flag Register (PORTD_ISFR)	32	w1c	0000_0000h	11.7.4/145
4004_D000	Pin Control Register n (PORTE_PCR0)	32	R/W	See section	11.7.1/141
4004_D004	Pin Control Register n (PORTE_PCR1)	32	R/W	See section	11.7.1/141
4004_D008	Pin Control Register n (PORTE_PCR2)	32	R/W	See section	11.7.1/141

Table continues on the next page...

PORT memory map (continued)

Absolute address (hex)	Register name	Width (in bits)	Access	Reset value	Section/page
4004_D00C	Pin Control Register n (PORTE_PCR3)	32	R/W	See section	11.7.1/141
4004_D010	Pin Control Register n (PORTE_PCR4)	32	R/W	See section	11.7.1/141
4004_D014	Pin Control Register n (PORTE_PCR5)	32	R/W	See section	11.7.1/141
4004_D018	Pin Control Register n (PORTE_PCR6)	32	R/W	See section	11.7.1/141
4004_D01C	Pin Control Register n (PORTE_PCR7)	32	R/W	See section	11.7.1/141
4004_D020	Pin Control Register n (PORTE_PCR8)	32	R/W	See section	11.7.1/141
4004_D024	Pin Control Register n (PORTE_PCR9)	32	R/W	See section	11.7.1/141
4004_D028	Pin Control Register n (PORTE_PCR10)	32	R/W	See section	11.7.1/141
4004_D02C	Pin Control Register n (PORTE_PCR11)	32	R/W	See section	11.7.1/141
4004_D030	Pin Control Register n (PORTE_PCR12)	32	R/W	See section	11.7.1/141
4004_D034	Pin Control Register n (PORTE_PCR13)	32	R/W	See section	11.7.1/141
4004_D038	Pin Control Register n (PORTE_PCR14)	32	R/W	See section	11.7.1/141
4004_D03C	Pin Control Register n (PORTE_PCR15)	32	R/W	See section	11.7.1/141
4004_D040	Pin Control Register n (PORTE_PCR16)	32	R/W	See section	11.7.1/141
4004_D044	Pin Control Register n (PORTE_PCR17)	32	R/W	See section	11.7.1/141
4004_D048	Pin Control Register n (PORTE_PCR18)	32	R/W	See section	11.7.1/141
4004_D04C	Pin Control Register n (PORTE_PCR19)	32	R/W	See section	11.7.1/141
4004_D050	Pin Control Register n (PORTE_PCR20)	32	R/W	See section	11.7.1/141
4004_D054	Pin Control Register n (PORTE_PCR21)	32	R/W	See section	11.7.1/141
4004_D058	Pin Control Register n (PORTE_PCR22)	32	R/W	See section	11.7.1/141
4004_D05C	Pin Control Register n (PORTE_PCR23)	32	R/W	See section	11.7.1/141
4004_D060	Pin Control Register n (PORTE_PCR24)	32	R/W	See section	11.7.1/141
4004_D064	Pin Control Register n (PORTE_PCR25)	32	R/W	See section	11.7.1/141
4004_D068	Pin Control Register n (PORTE_PCR26)	32	R/W	See section	11.7.1/141
4004_D06C	Pin Control Register n (PORTE_PCR27)	32	R/W	See section	11.7.1/141
4004_D070	Pin Control Register n (PORTE_PCR28)	32	R/W	See section	11.7.1/141
4004_D074	Pin Control Register n (PORTE_PCR29)	32	R/W	See section	11.7.1/141
4004_D078	Pin Control Register n (PORTE_PCR30)	32	R/W	See section	11.7.1/141
4004_D07C	Pin Control Register n (PORTE_PCR31)	32	R/W	See section	11.7.1/141
4004_D080	Global Pin Control Low Register (PORTE_GPCLR)	32	W (always reads 0)	0000_0000h	11.7.2/144
4004_D084	Global Pin Control High Register (PORTE_GPCHR)	32	W (always reads 0)	0000_0000h	11.7.3/144
4004_D0A0	Interrupt Status Flag Register (PORTE_ISFR)	32	w1c	0000_0000h	11.7.4/145

11.7.1 Pin Control Register n (PORTx_PCRn)

NOTE

See the Signal Multiplexing and Pin Assignment chapter for the reset value of this device.

See the GPIO Configuration section for details on the available functions for each pin.

Do not modify pin configuration registers associated with pins not available in your selected package. All unbonded pins not available in your package will default to DISABLE state for lowest power consumption.

Address: Base address + 0h offset + (4d × i), where i=0d to 31d

Bit	31	30	29	28	27	26	25	24	23	22	21	20	19	18	17	16	
R	0								ISF	0				IRQC			
W									w1c								
Reset	0	0	0	0	0	0	0	0	0	0	0	0	0	0	0	0	
Bit	15	14	13	12	11	10	9	8	7	6	5	4	3	2	1	0	
R	0					MUX			0	DSE	0	PFE	0	SRE	PE	PS	
W																	
Reset	0	0	0	0	0	*	*	*	0	*	0	*	0	*	*	*	

* Notes:

- MUX field: Varies by port. See Signal Multiplexing and Signal Descriptions chapter for reset values per port.
- DSE field: Varies by port. See PORT chapter for reset values per port.
- PFE field: Varies by port. See PORT chapter for reset values per port.
- SRE field: Varies by port. See PORT chapter for reset values per port.
- PE field: Varies by port. See PORT chapter for reset values per port.
- PS field: Varies by port. See PORT chapter for reset values per port.

PORTx_PCRn field descriptions

Field	Description
31–25 Reserved	This field is reserved. This read-only field is reserved and always has the value 0.
24 ISF	Interrupt Status Flag This field is read-only for pins that do not support interrupt generation. The pin interrupt configuration is valid in all digital pin muxing modes.

Table continues on the next page...

PORTx_PCRn field descriptions (continued)

Field	Description
	<p>0 Configured interrupt is not detected.</p> <p>1 Configured interrupt is detected. If the pin is configured to generate a DMA request, then the corresponding flag will be cleared automatically at the completion of the requested DMA transfer. Otherwise, the flag remains set until a logic 1 is written to the flag. If the pin is configured for a level sensitive interrupt and the pin remains asserted, then the flag is set again immediately after it is cleared.</p>
23–20 Reserved	<p>This field is reserved.</p> <p>This read-only field is reserved and always has the value 0.</p>
19–16 IRQC	<p>Interrupt Configuration</p> <p>This field is read-only for pins that do not support interrupt generation.</p> <p>The pin interrupt configuration is valid in all digital pin muxing modes. The corresponding pin is configured to generate interrupt/DMA request as follows:</p> <p>0000 Interrupt Status Flag (ISF) is disabled.</p> <p>0001 ISF flag and DMA request on rising edge.</p> <p>0010 ISF flag and DMA request on falling edge.</p> <p>0011 ISF flag and DMA request on either edge.</p> <p>0100 Reserved.</p> <p>0101 Reserved.</p> <p>0110 Reserved.</p> <p>0111 Reserved.</p> <p>1000 ISF flag and Interrupt when logic 0.</p> <p>1001 ISF flag and Interrupt on rising-edge.</p> <p>1010 ISF flag and Interrupt on falling-edge.</p> <p>1011 ISF flag and Interrupt on either edge.</p> <p>1100 ISF flag and Interrupt when logic 1.</p> <p>1101 Reserved.</p> <p>1110 Reserved.</p> <p>1111 Reserved.</p>
15–11 Reserved	<p>This field is reserved.</p> <p>This read-only field is reserved and always has the value 0.</p>
10–8 MUX	<p>Pin Mux Control</p> <p>Not all pins support all pin muxing slots. Unimplemented pin muxing slots are reserved and may result in configuring the pin for a different pin muxing slot.</p> <p>The corresponding pin is configured in the following pin muxing slot as follows:</p> <p>000 Pin disabled (Alternative 0) (analog).</p> <p>001 Alternative 1 (GPIO).</p> <p>010 Alternative 2 (chip-specific).</p> <p>011 Alternative 3 (chip-specific).</p> <p>100 Alternative 4 (chip-specific).</p> <p>101 Alternative 5 (chip-specific).</p> <p>110 Alternative 6 (chip-specific).</p> <p>111 Alternative 7 (chip-specific).</p>
7 Reserved	<p>This field is reserved.</p> <p>This read-only field is reserved and always has the value 0.</p>

Table continues on the next page...

PORTx_PCRn field descriptions (continued)

Field	Description
6 DSE	<p>Drive Strength Enable</p> <p>This field is read-only for pins that do not support a configurable drive strength.</p> <p>Drive strength configuration is valid in all digital pin muxing modes.</p> <p>0 Low drive strength is configured on the corresponding pin, if pin is configured as a digital output. 1 High drive strength is configured on the corresponding pin, if pin is configured as a digital output.</p>
5 Reserved	<p>This field is reserved.</p> <p>This read-only field is reserved and always has the value 0.</p>
4 PFE	<p>Passive Filter Enable</p> <p>This field is read-only for pins that do not support a configurable passive input filter.</p> <p>Passive filter configuration is valid in all digital pin muxing modes.</p> <p>0 Passive input filter is disabled on the corresponding pin. 1 Passive input filter is enabled on the corresponding pin, if the pin is configured as a digital input. Refer to the device data sheet for filter characteristics.</p>
3 Reserved	<p>This field is reserved.</p> <p>This read-only field is reserved and always has the value 0.</p>
2 SRE	<p>Slew Rate Enable</p> <p>This field is read-only for pins that do not support a configurable slew rate.</p> <p>Slew rate configuration is valid in all digital pin muxing modes.</p> <p>0 Fast slew rate is configured on the corresponding pin, if the pin is configured as a digital output. 1 Slow slew rate is configured on the corresponding pin, if the pin is configured as a digital output.</p>
1 PE	<p>Pull Enable</p> <p>This field is read-only for pins that do not support a configurable pull resistor. Refer to the Chapter of Signal Multiplexing and Signal Descriptions for the pins that support a configurable pull resistor.</p> <p>Pull configuration is valid in all digital pin muxing modes.</p> <p>0 Internal pullup or pulldown resistor is not enabled on the corresponding pin. 1 Internal pullup or pulldown resistor is enabled on the corresponding pin, if the pin is configured as a digital input.</p>
0 PS	<p>Pull Select</p> <p>This bit is read only for pins that do not support a configurable pull resistor direction.</p> <p>Pull configuration is valid in all digital pin muxing modes.</p> <p>0 Internal pulldown resistor is enabled on the corresponding pin, if the corresponding PE field is set. 1 Internal pullup resistor is enabled on the corresponding pin, if the corresponding PE field is set.</p>

11.7.2 Global Pin Control Low Register (PORTx_GPCLR)

Only 32-bit writes are supported to this register.

Address: Base address + 80h offset

Bit	31	30	29	28	27	26	25	24	23	22	21	20	19	18	17	16	15	14	13	12	11	10	9	8	7	6	5	4	3	2	1	0
R	0																0															
W	GPWE																GPWD															
Reset	0	0	0	0	0	0	0	0	0	0	0	0	0	0	0	0	0	0	0	0	0	0	0	0	0	0	0	0	0	0	0	0

PORTx_GPCLR field descriptions

Field	Description
31–16 GPWE	Global Pin Write Enable Selects which Pin Control Registers (15 through 0) bits [15:0] update with the value in GPWD. 0 Corresponding Pin Control Register is not updated with the value in GPWD. 1 Corresponding Pin Control Register is updated with the value in GPWD.
GPWD	Global Pin Write Data Write value that is written to all Pin Control Registers bits [15:0] that are selected by GPWE.

11.7.3 Global Pin Control High Register (PORTx_GPCHR)

Only 32-bit writes are supported to this register.

Address: Base address + 84h offset

Bit	31	30	29	28	27	26	25	24	23	22	21	20	19	18	17	16	15	14	13	12	11	10	9	8	7	6	5	4	3	2	1	0
R	0																0															
W	GPWE																GPWD															
Reset	0	0	0	0	0	0	0	0	0	0	0	0	0	0	0	0	0	0	0	0	0	0	0	0	0	0	0	0	0	0	0	0

PORTx_GPCHR field descriptions

Field	Description
31–16 GPWE	Global Pin Write Enable Selects which Pin Control Registers (31 through 16) bits [15:0] update with the value in GPWD. 0 Corresponding Pin Control Register is not updated with the value in GPWD. 1 Corresponding Pin Control Register is updated with the value in GPWD.
GPWD	Global Pin Write Data Write value that is written to all Pin Control Registers bits [15:0] that are selected by GPWE.

11.7.4 Interrupt Status Flag Register (PORTx_ISFR)

The corresponding bit is read only for pins that do not support interrupt generation.

The pin interrupt configuration is valid in all digital pin muxing modes. The Interrupt Status Flag for each pin is also visible in the corresponding Pin Control Register, and each flag can be cleared in either location.

Address: Base address + A0h offset

Bit	31	30	29	28	27	26	25	24	23	22	21	20	19	18	17	16	15	14	13	12	11	10	9	8	7	6	5	4	3	2	1	0
R																	ISF															
W																	w1c															
Reset	0	0	0	0	0	0	0	0	0	0	0	0	0	0	0	0	0	0	0	0	0	0	0	0	0	0	0	0	0	0	0	0

PORTx_ISFR field descriptions

Field	Description
ISF	<p>Interrupt Status Flag</p> <p>Each bit in the field indicates the detection of the configured interrupt of the same number as the field.</p> <p>0 Configured interrupt is not detected.</p> <p>1 Configured interrupt is detected. If the pin is configured to generate a DMA request, then the corresponding flag will be cleared automatically at the completion of the requested DMA transfer. Otherwise, the flag remains set until a logic 1 is written to the flag. If the pin is configured for a level sensitive interrupt and the pin remains asserted, then the flag is set again immediately after it is cleared.</p>

11.8 Functional description

11.8.1 Pin control

Each port pin has a corresponding Pin Control register, PORT_PCRn, associated with it.

The upper half of the Pin Control register configures the pin's capability to either interrupt the CPU or request a DMA transfer, on a rising/falling edge or both edges as well as a logic level occurring on the port pin. It also includes a flag to indicate that an interrupt has occurred.

The lower half of the Pin Control register configures the following functions for each pin within the 32-bit port.

- Pullup or pulldown enable on selected pins
- Drive strength and slew rate configuration on selected pins

Functional description

- Passive input filter enable on selected pins
- Pin Muxing mode

The functions apply across all digital pin muxing modes and individual peripherals do not override the configuration in the Pin Control register. For example, if an I²C function is enabled on a pin, that does not override the pullup configuration for that pin.

When the Pin Muxing mode is configured for analog or is disabled, all the digital functions on that pin are disabled. This includes the pullup and pulldown enables, output buffer enable, input buffer enable, and passive filter enable.

The configuration of each Pin Control register is retained when the PORT module is disabled.

Whenever a pin is configured in any digital pin muxing mode, the input buffer for that pin is enabled allowing the pin state to be read via the corresponding GPIO Port Data Input Register (GPIO_PDIR) or allowing a pin interrupt or DMA request to be generated. If a pin is ever floating when its input buffer is enabled, then this can cause an increase in power consumption and must be avoided. A pin can be floating due to an input pin that is not connected or an output pin that has tri-stated (output buffer is disabled).

Enabling the internal pull resistor (or implementing an external pull resistor) will ensure a pin does not float when its input buffer is enabled; note that the internal pull resistor is automatically disabled whenever the output buffer is enabled allowing the Pull Enable bit to remain set. Configuring the Pin Muxing mode to disabled or analog will disable the pin's input buffer and results in the lowest power consumption.

11.8.2 Global pin control

The two global pin control registers allow a single register write to update the lower half of the pin control register on up to 16 pins, all with the same value.

The global pin control registers are designed to enable software to quickly configure multiple pins within the one port for the same peripheral function. However, the interrupt functions cannot be configured using the global pin control registers.

The global pin control registers are write-only registers, that always read as 0.

11.8.3 External interrupts

The external interrupt capability of the PORT module is available in all digital pin muxing modes provided the PORT module is enabled.

Each pin can be individually configured for any of the following external interrupt modes:

- Interrupt disabled, default out of reset
- Active high level sensitive interrupt
- Active low level sensitive interrupt
- Rising edge sensitive interrupt
- Falling edge sensitive interrupt
- Rising and falling edge sensitive interrupt
- Rising edge sensitive DMA request
- Falling edge sensitive DMA request
- Rising and falling edge sensitive DMA request

The interrupt status flag is set when the configured edge or level is detected on the pin . When not in Stop mode, the input is first synchronized to the bus clock to detect the configured level or edge transition.

The PORT module generates a single interrupt that asserts when the interrupt status flag is set for any enabled interrupt for that port. The interrupt negates after the interrupt status flags for all enabled interrupts have been cleared by writing a logic 1 to the ISF flag in either the PORT_ISFR or PORT_PCRn registers.

The PORT module generates a single DMA request that asserts when the interrupt status flag is set for any enabled DMA request in that port. The DMA request negates after the DMA transfer is completed, because that clears the interrupt status flags for all enabled DMA requests.

During Stop mode, the interrupt status flag for any enabled interrupt is asynchronously set if the required level or edge is detected. This also generates an asynchronous wake-up signal to exit the Low-Power mode.

Chapter 12

System Integration Module (SIM)

12.1 Chip-specific SIM information

12.1.1 COP clocks

The multiple clock inputs for the COP are:

- 1 kHz clock
- bus clock
- 8 MHz or 2 MHz internal reference clock
- external crystal

12.2 Introduction

The system integration module (SIM) provides system control and chip configuration registers.

12.2.1 Features

- System clocking configuration
 - System clock divide values
 - Architectural clock gating control
 - ERCLK32K clock selection
 - USB clock selection
 - LPUART and TPM clock selection
- Flash and System RAM size configuration
- TPM external clock and input capture selection
- LPUART receive/transmit source selection/configuration
- ADC trigger selection
- COP configuration

12.3 Memory map and register definition

The SIM module contains many bitfields for selecting the clock source and dividers for various module clocks.

NOTE

The SIM registers can be written only in supervisor mode. In user mode, write accesses are blocked and will result in a bus error.

NOTE

The SIM_SOPT1 and SIM_SOPT1CFG registers are located at a different base address than the other SIM registers.

SIM memory map

Absolute address (hex)	Register name	Width (in bits)	Access	Reset value	Section/page
4004_7000	System Options Register 1 (SIM_SOPT1)	32	R/W	See section	12.3.1/151
4004_7004	SOPT1 Configuration Register (SIM_SOPT1CFG)	32	R/W	0000_0000h	12.3.2/152
4004_8004	System Options Register 2 (SIM_SOPT2)	32	R/W	0000_0000h	12.3.3/154
4004_800C	System Options Register 4 (SIM_SOPT4)	32	R/W	0000_0000h	12.3.4/156
4004_8010	System Options Register 5 (SIM_SOPT5)	32	R/W	0000_0000h	12.3.5/157
4004_8018	System Options Register 7 (SIM_SOPT7)	32	R/W	0000_0000h	12.3.6/159
4004_8024	System Device Identification Register (SIM_SDID)	32	R	See section	12.3.7/160
4004_8034	System Clock Gating Control Register 4 (SIM_SCGC4)	32	R/W	F000_0030h	12.3.8/161
4004_8038	System Clock Gating Control Register 5 (SIM_SCGC5)	32	R/W	0000_0182h	12.3.9/163
4004_803C	System Clock Gating Control Register 6 (SIM_SCGC6)	32	R/W	0000_0001h	12.3.10/165
4004_8040	System Clock Gating Control Register 7 (SIM_SCGC7)	32	R/W	0000_0100h	12.3.11/167
4004_8044	System Clock Divider Register 1 (SIM_CLKDIV1)	32	R/W	See section	12.3.12/168
4004_804C	Flash Configuration Register 1 (SIM_FCFG1)	32	R/W	See section	12.3.13/169
4004_8050	Flash Configuration Register 2 (SIM_FCFG2)	32	R	See section	12.3.14/171
4004_8058	Unique Identification Register Mid-High (SIM_UIDMH)	32	R	See section	12.3.15/172
4004_805C	Unique Identification Register Mid Low (SIM_UIDML)	32	R	See section	12.3.16/172
4004_8060	Unique Identification Register Low (SIM_UIDL)	32	R	See section	12.3.17/173
4004_8100	COP Control Register (SIM_COPC)	32	R/W	0000_000Ch	12.3.18/173
4004_8104	Service COP (SIM_SRVCOP)	32	W	0000_0000h	12.3.19/175

12.3.1 System Options Register 1 (SIM_SOPT1)

NOTE

The SOPT1 register is only reset on POR or LVD.

Address: 4004_7000h base + 0h offset = 4004_7000h

Bit	31	30	29	28	27	26	25	24	23	22	21	20	19	18	17	16
R	USBREGEN			USBSSTBY			USBVSTBY			0				OSC32KSEL		OSC32KOUT
W	USBREGEN			USBSSTBY			USBVSTBY			Reserved				OSC32KSEL		OSC32KOUT
Reset	1	0	0	0	0	0	0	0	0	0	0	0	0	0	0	0
Bit	15	14	13	12	11	10	9	8	7	6	5	4	3	2	1	0
R	0								Reserved							
W	Reserved								Reserved							
Reset	0	0	0	0	0	0	0	0	0	0	*	*	*	*	*	*

* Notes:

- Reserved field: Device specific value.

SIM_SOPT1 field descriptions

Field	Description
31 USBREGEN	USB voltage regulator enable Controls whether the USB voltage regulator is enabled. 0 USB voltage regulator is disabled. 1 USB voltage regulator is enabled.
30 USBSSTBY	USB voltage regulator in standby mode during Stop, VLPS, LLS and VLLS modes. Controls whether the USB voltage regulator is placed in standby mode during Stop, VLPS, LLS and VLLS modes. 0 USB voltage regulator not in standby during Stop, VLPS, LLS and VLLS modes. 1 USB voltage regulator in standby during Stop, VLPS, LLS and VLLS modes.
29 USBVSTBY	USB voltage regulator in standby mode during VLPR and VLPW modes Controls whether the USB voltage regulator is placed in standby mode during VLPR and VLPW modes. 0 USB voltage regulator not in standby during VLPR and VLPW modes. 1 USB voltage regulator in standby during VLPR and VLPW modes.
28–20 Reserved	This field is reserved. This read-only field is reserved and always has the value 0.

Table continues on the next page...

SIM_SOPT1 field descriptions (continued)

Field	Description
19–18 OSC32KSEL	32K Oscillator Clock Select Selects the 32 kHz clock source (ERCLK32K) for Segment LCD, RTC and LPTMR. This field is reset only on POR/LVD. 00 System oscillator (OSC32KCLK) 01 Reserved 10 RTC_CLKIN 11 LPO 1kHz
17–16 OSC32KOUT	32K oscillator clock output Outputs the ERCLK32K on the selected pin in all modes of operation (including LLS/VLLS and System Reset), overriding the existing pin mux configuration for that pin. This field is reset only on POR/LVD. 00 ERCLK32K is not output. 01 ERCLK32K is output on PTE0. 10 ERCLK32K is output on PTE26. 11 Reserved.
15–6 Reserved	This field is reserved. This read-only field is reserved and always has the value 0.
Reserved	This field is reserved.

12.3.2 SOPT1 Configuration Register (SIM_SOPT1CFG)

NOTE

The SOPT1CFG register is reset on System Reset not VLLS.

Address: 4004_7000h base + 4h offset = 4004_7004h

Bit	31	30	29	28	27	26	25	24	23	22	21	20	19	18	17	16
R	0					USSWE	UVSWE	URWE	0							
W	[Greyed out]					USSWE	UVSWE	URWE	[Greyed out]							
Reset	0	0	0	0	0	0	0	0	0	0	0	0	0	0	0	0
Bit	15	14	13	12	11	10	9	8	7	6	5	4	3	2	1	0
R	0															
W	[Greyed out]															
Reset	0	0	0	0	0	0	0	0	0	0	0	0	0	0	0	0

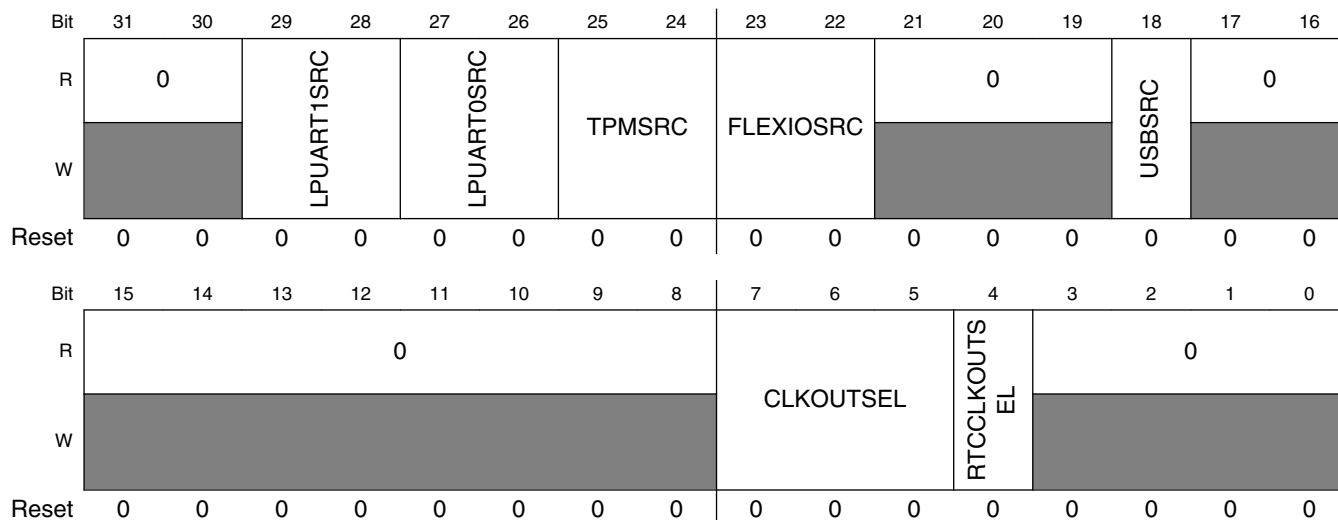
SIM_SOPT1CFG field descriptions

Field	Description
31–27 Reserved	This field is reserved. This read-only field is reserved and always has the value 0.
26 USSWE	USB voltage regulator stop standby write enable Writing one to the USSWE bit allows the SOPT1 USBSSTBY bit to be written. This register bit clears after a write to USBSSTBY. 0 SOPT1 USBSSTB cannot be written. 1 SOPT1 USBSSTB can be written.
25 UVSWE	USB voltage regulator VLP standby write enable Writing one to the UVSWE bit allows the SOPT1 USBVSTBY bit to be written. This register bit clears after a write to USBVSTBY. 0 SOPT1 USBVSTB cannot be written. 1 SOPT1 USBVSTB can be written.
24 URWE	USB voltage regulator enable write enable Writing one to the URWE bit allows the SOPT1 USBREGEN bit to be written. This register bit clears after a write to USBREGEN. 0 SOPT1 USBREGEN cannot be written. 1 SOPT1 USBREGEN can be written.
Reserved	This field is reserved. This read-only field is reserved and always has the value 0.

12.3.3 System Options Register 2 (SIM_SOPT2)

SOPT2 contains the controls for selecting many of the module clock source options on this device. See the Clock Distribution chapter for more information including clocking diagrams and definitions of device clocks.

Address: 4004_7000h base + 1004h offset = 4004_8004h



SIM_SOPT2 field descriptions

Field	Description
31–30 Reserved	This field is reserved. This read-only field is reserved and always has the value 0.
29–28 LPUART1SRC	LPUART1 Clock Source Select Selects the clock source for the LPUART1 transmit and receive clock. 00 Clock disabled 01 IRC48M clock 10 OSCERCLK clock 11 MCGIRCLK clock
27–26 LPUART0SRC	LPUART0 Clock Source Select Selects the clock source for the LPUART0 transmit and receive clock. 00 Clock disabled 01 IRC48M clock 10 OSCERCLK clock 11 MCGIRCLK clock
25–24 TPMSRC	TPM Clock Source Select Selects the clock source for the TPM counter clock

Table continues on the next page...

SIM_SOPT2 field descriptions (continued)

Field	Description
	00 Clock disabled 01 IRC48M clock 10 OSCERCLK clock 11 MCGIRCLK clock
23–22 FLEXIOSRC	FlexIO Module Clock Source Select Selects the clock source for the FlexIO transmit and receive clock. 00 Clock disabled 01 IRC48M clock 10 OSCERCLK clock 11 MCGIRCLK clock
21–19 Reserved	This field is reserved. This read-only field is reserved and always has the value 0.
18 USBSRC	USB clock source select Selects the clock source for the USB 48 MHz clock. 0 External bypass clock (USB_CLKIN). 1 IRC48M clock
17–16 Reserved	This field is reserved. This read-only field is reserved and always has the value 0.
15–8 Reserved	This field is reserved. This read-only field is reserved and always has the value 0.
7–5 CLKOUTSEL	CLKOUT select Selects the clock to output on the CLKOUT pin. 000 Reserved 001 Reserved 010 Bus clock 011 LPO clock (1 kHz) 100 LIRC_CLK 101 Reserved 110 OSCERCLK 111 IRC48M clock (IRC48M clock can be output to PAD only when chip VDD is 2.7-3.6 V)
4 RTCCLKOUTSEL	RTC Clock Out Select Selects either the RTC 1 Hz clock or the OSC clock to be output on the RTC_CLKOUT pin. 0 RTC 1 Hz clock is output on the RTC_CLKOUT pin. 1 OSCERCLK clock is output on the RTC_CLKOUT pin.
Reserved	This field is reserved. This read-only field is reserved and always has the value 0.

12.3.4 System Options Register 4 (SIM_SOPT4)

Address: 4004_7000h base + 100Ch offset = 4004_800Ch

Bit	31	30	29	28	27	26	25	24	23	22	21	20	19	18	17	16
R	0					TPM2CLKSEL	TPM1CLKSEL	TPM0CLKSEL	0			TPM2CH0SRC	TPM1CH0SRC	0		
W	[Shaded]					TPM2CLKSEL	TPM1CLKSEL	TPM0CLKSEL	[Shaded]			TPM2CH0SRC	TPM1CH0SRC	[Shaded]		
Reset	0	0	0	0	0	0	0	0	0	0	0	0	0	0	0	0
Bit	15	14	13	12	11	10	9	8	7	6	5	4	3	2	1	0
R	0															
W	[Shaded]															
Reset	0	0	0	0	0	0	0	0	0	0	0	0	0	0	0	0

SIM_SOPT4 field descriptions

Field	Description
31–27 Reserved	This field is reserved. This read-only field is reserved and always has the value 0.
26 TPM2CLKSEL	TPM2 External Clock Pin Select Selects the external pin used to drive the clock to the TPM2 module. NOTE: The selected pin must also be configured for the TPM external clock function through the appropriate Pin Control Register in the Port Control module. 0 TPM2 external clock driven by TPM_CLKIN0 pin. 1 TPM2 external clock driven by TPM_CLKIN1 pin.
25 TPM1CLKSEL	TPM1 External Clock Pin Select Selects the external pin used to drive the clock to the TPM1 module. NOTE: The selected pin must also be configured for the TPM external clock function through the appropriate pin control register in the port control module. 0 TPM1 external clock driven by TPM_CLKIN0 pin. 1 TPM1 external clock driven by TPM_CLKIN1 pin.
24 TPM0CLKSEL	TPM0 External Clock Pin Select Selects the external pin used to drive the clock to the TPM0 module. NOTE: The selected pin must also be configured for the TPM external clock function through the appropriate pin control register in the port control module. 0 TPM0 external clock driven by TPM_CLKIN0 pin. 1 TPM0 external clock driven by TPM_CLKIN1 pin.

Table continues on the next page...

SIM_SOPT4 field descriptions (continued)

Field	Description
23–21 Reserved	This field is reserved. This read-only field is reserved and always has the value 0.
20 TPM2CH0SRC	TPM2 Channel 0 Input Capture Source Select Selects the source for TPM2 channel 0 input capture. NOTE: When TPM2 is not in input capture mode, clear this field. 0 TPM2_CH0 signal 1 CMP0 output
19–18 TPM1CH0SRC	TPM1 channel 0 input capture source select Selects the source for TPM1 channel 0 input capture. NOTE: When TPM1 is not in input capture mode, clear this field. 00 TPM1_CH0 signal 01 CMP0 output 10 Reserved 11 USB start of frame pulse
Reserved	This field is reserved. This read-only field is reserved and always has the value 0.

12.3.5 System Options Register 5 (SIM_SOPT5)

Address: 4004_7000h base + 1010h offset = 4004_8010h

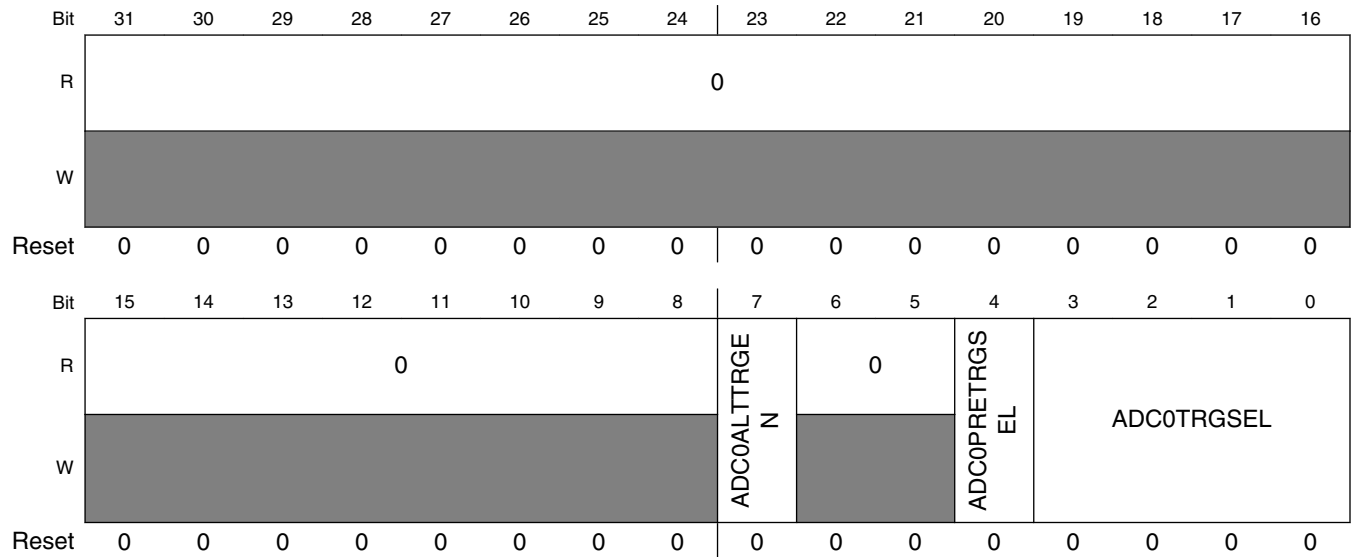
Bit	31	30	29	28	27	26	25	24	23	22	21	20	19	18	17	16	
R	0												0	UART2ODE	LPUART1ODE	LPUART0ODE	
W	[Shaded]																
Reset	0	0	0	0	0	0	0	0	0	0	0	0	0	0	0	0	0
Bit	15	14	13	12	11	10	9	8	7	6	5	4	3	2	1	0	
R	0								LPUART1RXS RC		LPUART1TXS RC		0	LPUART0RXS RC	LPUART0TXS RC		
W	[Shaded]								[Shaded]		[Shaded]		[Shaded]	[Shaded]			
Reset	0	0	0	0	0	0	0	0	0	0	0	0	0	0	0	0	

SIM_SOPT5 field descriptions

Field	Description
31–20 Reserved	This field is reserved. This read-only field is reserved and always has the value 0.
19 Reserved	This field is reserved. This read-only field is reserved and always has the value 0.
18 UART2ODE	UART2 Open Drain Enable 0 Open drain is disabled on UART2 1 Open drain is enabled on UART2
17 LPUART1ODE	LPUART1 Open Drain Enable 0 Open drain is disabled on LPUART1. 1 Open drain is enabled on LPUART1
16 LPUART0ODE	LPUART0 Open Drain Enable 0 Open drain is disabled on LPUART0. 1 Open drain is enabled on LPUART0.
15–7 Reserved	This field is reserved. This read-only field is reserved and always has the value 0.
6 LPUART1RXSRC	LPUART1 Receive Data Source Select Selects the source for the LPUART1 receive data. 0 LPUART1_RX pin 1 CMP0 output
5–4 LPUART1TXSRC	LPUART1 Transmit Data Source Select Selects the source for the LPUART1 transmit data. 00 LPUART1_TX pin 01 LPUART1_TX pin modulated with TPM1 channel 0 output 10 LPUART1_TX pin modulated with TPM2 channel 0 output 11 Reserved
3 Reserved	This field is reserved. This read-only field is reserved and always has the value 0.
2 LPUART0RXSRC	LPUART0 Receive Data Source Select Selects the source for the LPUART0 receive data. 0 LPUART_RX pin 1 CMP0 output
LPUART0TXSRC	LPUART0 Transmit Data Source Select Selects the source for the LPUART0 transmit data. 00 LPUART0_TX pin 01 LPUART0_TX pin modulated with TPM1 channel 0 output 10 LPUART0_TX pin modulated with TPM2 channel 0 output 11 Reserved

12.3.6 System Options Register 7 (SIM_SOPT7)

Address: 4004_7000h base + 1018h offset = 4004_8018h



SIM_SOPT7 field descriptions

Field	Description
31–8 Reserved	This field is reserved. This read-only field is reserved and always has the value 0.
7 ADC0ALTTTRGEN	ADC0 Alternate Trigger Enable Enables alternative conversion triggers for ADC0. 0 ADC ADHWT trigger comes from TPM1 channel 0 and channel1. Prior to the assertion of TPM1 channel 0, a pre-trigger pulse will be sent to ADHWTSa to initiate an ADC acquisition using ADCx_SC1A configuration and store ADC conversion in ADCx_RA Register. Prior to the assertion of TPM1 channel 1 a pre-trigger pulse will be sent to ADHWTSb to initiate an ADC acquisition using ADCx_SC1B configuration and store ADC conversion in ADCx_RB Register. 1 ADC ADHWT trigger comes from a peripheral event selected by ADC0TRGSEL bits. ADC0PRETRGSEL bit will select the optional ADHWTSa or ADHWTSb select lines for choosing the ADCx_SC1x config and ADCx_Rx result register to store the ADC conversion.
6–5 Reserved	This field is reserved. This read-only field is reserved and always has the value 0.
4 ADC0PRETRGSEL	ADC0 Pretrigger Select Selects the ADC0 pre-trigger source when alternative triggers are enabled through ADC0ALTTTRGEN. NOTE: The ADC0PRETRGSEL function is ignored if ADC0ALTTTRGEN = 0. 0 Pre-trigger ADHWTSa is selected, thus ADC0 will use ADC0_SC1A configuration for the next ADC conversion and store the result in ADC0_RA register. 1 Pre-trigger ADHWTSb is selected, thus ADC0 will use ADC0_SC1B configuration for the next ADC conversion and store the result in ADC0_RB register.

Table continues on the next page...

SIM_SOPT7 field descriptions (continued)

Field	Description
ADC0TRGSEL	<p>ADC0 Trigger Select</p> <p>Selects 1 of 16 peripherals to initiate an ADC conversion via the ADHWDT input, when ADC0ALTTRGEN =1, else is ignored by ADC0.</p> <p>0000 External trigger pin input (EXTRG_IN)</p> <p>0001 CMP0 output</p> <p>0010 Reserved</p> <p>0011 Reserved</p> <p>0100 PIT trigger 0</p> <p>0101 PIT trigger 1</p> <p>0110 Reserved</p> <p>0111 Reserved</p> <p>1000 TPM0 overflow</p> <p>1001 TPM1 overflow</p> <p>1010 TPM2 overflow</p> <p>1011 Reserved</p> <p>1100 RTC alarm</p> <p>1101 RTC seconds</p> <p>1110 LPTMR0 trigger</p> <p>1111 Reserved</p>

12.3.7 System Device Identification Register (SIM_SDID)

Address: 4004_7000h base + 1024h offset = 4004_8024h

Bit	31	30	29	28	27	26	25	24	23	22	21	20	19	18	17	16	15	14	13	12	11	10	9	8	7	6	5	4	3	2	1	0	
R	FAMID				SUBFAMID				SERIESID				SRAMSIZE				REVID				0				PINID								
W	0																0																
Reset	*	*	*	*	*	*	*	*	*	0	0	0	1	*	*	*	*	*	*	*	*	1	1	0	1	1	0	0	0	*	*	*	*

- * Notes:
- FAMID field: Device specific value.
 - SUBFAMID field: Device specific value.
 - SRAMSIZE field: Device specific value.
 - REVID field: Device specific value.
 - PINID field: Device specific value.

SIM_SDID field descriptions

Field	Description
31–28 FAMID	<p>Family ID</p> <p>0000 K32L3A</p> <p>0100 K32L2B</p> <p>0010 K32L2A</p>

Table continues on the next page...

SIM_SDID field descriptions (continued)

Field	Description
27–24 SUBFAMID	Sub-Family ID Specifies the sub-family of the device. 0000 Dual core 0001 Single core
23–20 SERIESID	Series ID Specifies the family of the device. 0001 K32 L2 family
19–16 SRAMSIZE	System SRAM Size Specifies the size of the System SRAM 0101 16 KB 0110 32 KB
15–12 REVID	Device Revision Number Specifies the silicon implementation number for the device.
11–4 Reserved	This field is reserved. This read-only field is reserved and always has the value 0.
PINID	Pincount Identification Specifies the pincount of the device. 0010 32-pin 0100 48-pin 0101 64-pin 1011 Custom pinout (WLCSP)

12.3.8 System Clock Gating Control Register 4 (SIM_SCGC4)

Address: 4004_7000h base + 1034h offset = 4004_8034h

Bit	31	30	29	28	27	26	25	24	23	22	21	20	19	18	17	16
R	1				0				SPI1	SPI0	0	VREF	CMPO	USBFS	0	
W	[Shaded]										[Shaded]				[Shaded]	
Reset	1	1	1	1	0	0	0	0	0	0	0	0	0	0	0	0
Bit	15	14	13	12	11	10	9	8	7	6	5	4	3	2	1	0
R	0	0	UART2	0	0	0	0	I2C1	I2C0	1		0				
W	[Shaded]		UART2	[Shaded]						[Shaded]		[Shaded]				
Reset	0	0	0	0	0	0	0	0	0	0	1	1	0	0	0	0

SIM_SCGC4 field descriptions

Field	Description
31–28 Reserved	This field is reserved. This read-only field is reserved and always has the value 1.
27–24 Reserved	This field is reserved. This read-only field is reserved and always has the value 0.
23 SPI1	SPI1 Clock Gate Control Controls the clock gate to the SPI1 module. 0 Clock disabled 1 Clock enabled
22 SPI0	SPI0 Clock Gate Control Controls the clock gate to the SPI0 module. 0 Clock disabled 1 Clock enabled
21 Reserved	This field is reserved. This read-only field is reserved and always has the value 0.
20 VREF	VREF Clock Gate Control Controls the clock gate to the VREF module. 0 Clock disabled 1 Clock enabled
19 CMP0	Comparator Clock Gate Control Controls the clock gate to the comparator module. 0 Clock disabled 1 Clock enabled
18 USBFS	USB Clock Gate Control This bit controls the clock gate to the USB module. 0 Clock disabled 1 Clock enabled
17–14 Reserved	This field is reserved. This read-only field is reserved and always has the value 0.
13 Reserved	This field is reserved. This read-only field is reserved and always has the value 0.
12 UART2	UART2 Clock Gate Control Controls the clock gate to the UART2 module. 0 Clock disabled 1 Clock enabled
11 Reserved	This field is reserved. This read-only field is reserved and always has the value 0.
10 Reserved	This field is reserved. This read-only field is reserved and always has the value 0.

Table continues on the next page...

SIM_SCGC4 field descriptions (continued)

Field	Description
9 Reserved	This field is reserved. This read-only field is reserved and always has the value 0.
8 Reserved	This field is reserved. This read-only field is reserved and always has the value 0.
7 I2C1	I2C1 Clock Gate Control Controls the clock gate to the I ² C1 module. 0 Clock disabled 1 Clock enabled
6 I2C0	I2C0 Clock Gate Control Controls the clock gate to the I ² C0 module. 0 Clock disabled 1 Clock enabled
5–4 Reserved	This field is reserved. This read-only field is reserved and always has the value 1.
Reserved	This field is reserved. This read-only field is reserved and always has the value 0.

12.3.9 System Clock Gating Control Register 5 (SIM_SCGC5)

Address: 4004_7000h base + 1038h offset = 4004_8038h

Bit	31	30	29	28	27	26	25	24	23	22	21	20	19	18	17	16
R	0							LPUART1			LPUART0	SLCD	0			
W	FLEXIO															
Reset	0	0	0	0	0	0	0	0	0	0	0	0	0	0	0	0
Bit	15	14	13	12	11	10	9	8	7	6	5	4	3	2	1	0
R	0	PORTE			PORTD	PORTC	PORTB	PORTA	1		0	0	0		1	LPTMR
W	FLEXIO															
Reset	0	0	0	0	0	0	0	0	1	1	0	0	0	0	1	0

SIM_SCGC5 field descriptions

Field	Description
31 FLEXIO	FlexIO Module This bit controls the clock gate to the FlexIO Module.

Table continues on the next page...

SIM_SCGC5 field descriptions (continued)

Field	Description
	0 Clock disabled 1 Clock enabled
30–22 Reserved	This field is reserved. This read-only field is reserved and always has the value 0.
21 LPUART1	LPUART1 Clock Gate Control This bit controls the clock gate to the LPUART1 module. 0 Clock disabled 1 Clock enabled
20 LPUART0	LPUART0 Clock Gate Control This bit controls the clock gate to the LPUART0 module. 0 Clock disabled 1 Clock enabled
19 SLCD	Segment LCD Clock Gate Control This bit controls the clock gate to the Segment LCD module. 0 Clock disabled 1 Clock enabled
18–14 Reserved	This field is reserved. This read-only field is reserved and always has the value 0.
13 PORTE	Port E Clock Gate Control Controls the clock gate to the Port E module. 0 Clock disabled 1 Clock enabled
12 PORTD	Port D Clock Gate Control Controls the clock gate to the Port D module. 0 Clock disabled 1 Clock enabled
11 PORTC	Port C Clock Gate Control Controls the clock gate to the Port C module. 0 Clock disabled 1 Clock enabled
10 PORTB	Port B Clock Gate Control Controls the clock gate to the Port B module. 0 Clock disabled 1 Clock enabled
9 PORTA	Port A Clock Gate Control Controls the clock gate to the Port A module.

Table continues on the next page...

SIM_SCGC5 field descriptions (continued)

Field	Description
	0 Clock disabled 1 Clock enabled
8–7 Reserved	This field is reserved. This read-only field is reserved and always has the value 1.
6 Reserved	This field is reserved. This read-only field is reserved and always has the value 0.
5 Reserved	This field is reserved. This read-only field is reserved and always has the value 0.
4–2 Reserved	This field is reserved. This read-only field is reserved and always has the value 0.
1 Reserved	This field is reserved. This read-only field is reserved and always has the value 1.
0 LPTMR	Low Power Timer Access Control Controls software access to the Low Power Timer module. 0 Access disabled 1 Access enabled

12.3.10 System Clock Gating Control Register 6 (SIM_SCGC6)

Address: 4004_7000h base + 103Ch offset = 4004_803Ch

Bit	31	30	29	28	27	26	25	24	23	22	21	20	19	18	17	16
R		0		0							0			0		0
W	DAC0		RTC		ADC0	TPM2	TPM1	TPM0	PIT							
Reset	0	0	0	0	0	0	0	0	0	0	0	0	0	0	0	0
Bit	15	14	13	12	11	10	9	8	7	6	5	4	3	2	1	0
R	0							0								
W															DMAMUX	FTF
Reset	0	0	0	0	0	0	0	0	0	0	0	0	0	0	0	1

SIM_SCGC6 field descriptions

Field	Description
31 DAC0	DAC0 Clock Gate Control This bit controls the clock gate to the DAC0 module. 0 Clock disabled 1 Clock enabled

Table continues on the next page...

SIM_SCGC6 field descriptions (continued)

Field	Description
30 Reserved	This field is reserved. This read-only field is reserved and always has the value 0.
29 RTC	RTC Access Control Controls software access and interrupts to the RTC module. 0 Access and interrupts disabled 1 Access and interrupts enabled
28 Reserved	This field is reserved. This read-only field is reserved and always has the value 0.
27 ADC0	ADC0 Clock Gate Control Controls the clock gate to the ADC0 module. 0 Clock disabled 1 Clock enabled
26 TPM2	TPM2 Clock Gate Control Controls the clock gate to the TPM2 module. 0 Clock disabled 1 Clock enabled
25 TPM1	TPM1 Clock Gate Control Controls the clock gate to the TPM1 module. 0 Clock disabled 1 Clock enabled
24 TPM0	TPM0 Clock Gate Control Controls the clock gate to the TPM0 module. 0 Clock disabled 1 Clock enabled
23 PIT	PIT Clock Gate Control This bit controls the clock gate to the PIT module. 0 Clock disabled 1 Clock enabled
22–19 Reserved	This field is reserved. This read-only field is reserved and always has the value 0.
18 Reserved	This field is reserved. This read-only field is reserved and always has the value 0.
17–16 Reserved	This field is reserved. This read-only field is reserved and always has the value 0.
15 Reserved	This field is reserved. This read-only field is reserved and always has the value 0.
14–2 Reserved	This field is reserved. This read-only field is reserved and always has the value 0.

Table continues on the next page...

SIM_SCGC6 field descriptions (continued)

Field	Description
1 DMAMUX	DMA Mux Clock Gate Control Controls the clock gate to the DMA Mux module. 0 Clock disabled 1 Clock enabled
0 FTF	Flash Memory Clock Gate Control Controls the clock gate to the flash memory. Flash reads are still supported while the flash memory is clock gated, but entry into low power modes is blocked. 0 Clock disabled 1 Clock enabled

12.3.11 System Clock Gating Control Register 7 (SIM_SCGC7)

Address: 4004_7000h base + 1040h offset = 4004_8040h

Bit	31	30	29	28	27	26	25	24	23	22	21	20	19	18	17	16	
R	0																
W																	
Reset	0	0	0	0	0	0	0	0	0	0	0	0	0	0	0	0	
Bit	15	14	13	12	11	10	9	8	7	6	5	4	3	2	1	0	
R	0								DMA	0							
W																	
Reset	0	0	0	0	0	0	0	1	0	0	0	0	0	0	0	0	

SIM_SCGC7 field descriptions

Field	Description
31–9 Reserved	This field is reserved. This read-only field is reserved and always has the value 0.
8 DMA	DMA Clock Gate Control Controls the clock gate to the DMA module. 0 Clock disabled 1 Clock enabled
Reserved	This field is reserved. This read-only field is reserved and always has the value 0.

12.3.12 System Clock Divider Register 1 (SIM_CLKDIV1)

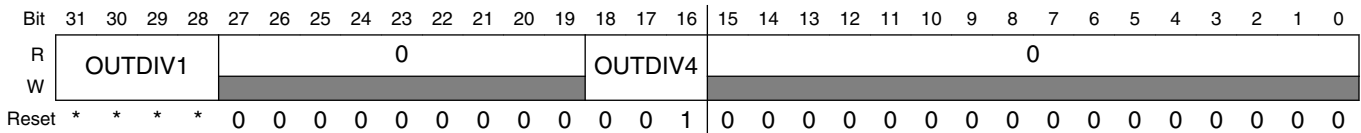
NOTE

The CLKDIV1 register cannot be written to when the device is in VLPR mode.

NOTE

Reset value loaded during System Reset from FTFA_FOPT[LPBOOT] (See [Table 6-2](#)).

Address: 4004_7000h base + 1044h offset = 4004_8044h



* Notes:

- OUTDIV1 field: The reset value depends on the FTFA_FOPT[LPBOOT]. It is loaded with 0000 (divide by 1), 0001 (divide by 2), 0011 (divide by 4, or 0111 (divide by 8).

SIM_CLKDIV1 field descriptions

Field	Description
31–28 OUTDIV1	<p>Clock 1 Output Divider value</p> <p>Sets the divide value for the core/system clock, as well as the bus/flash clocks. At the end of reset, it is loaded with 0000 (divide by one), 0001 (divide by two), 0011 (divide by four), or 0111 (divide by eight) depending on the setting of the FTFA_FOPT[LPBOOT] (See Table 6-2).</p> <p>0000 Divide-by-1. 0001 Divide-by-2. 0010 Divide-by-3. 0011 Divide-by-4. 0100 Divide-by-5. 0101 Divide-by-6. 0110 Divide-by-7. 0111 Divide-by-8. 1000 Divide-by-9. 1001 Divide-by-10. 1010 Divide-by-11. 1011 Divide-by-12. 1100 Divide-by-13. 1101 Divide-by-14. 1110 Divide-by-15. 1111 Divide-by-16.</p>
27–19 Reserved	<p>This field is reserved. This read-only field is reserved and always has the value 0.</p>

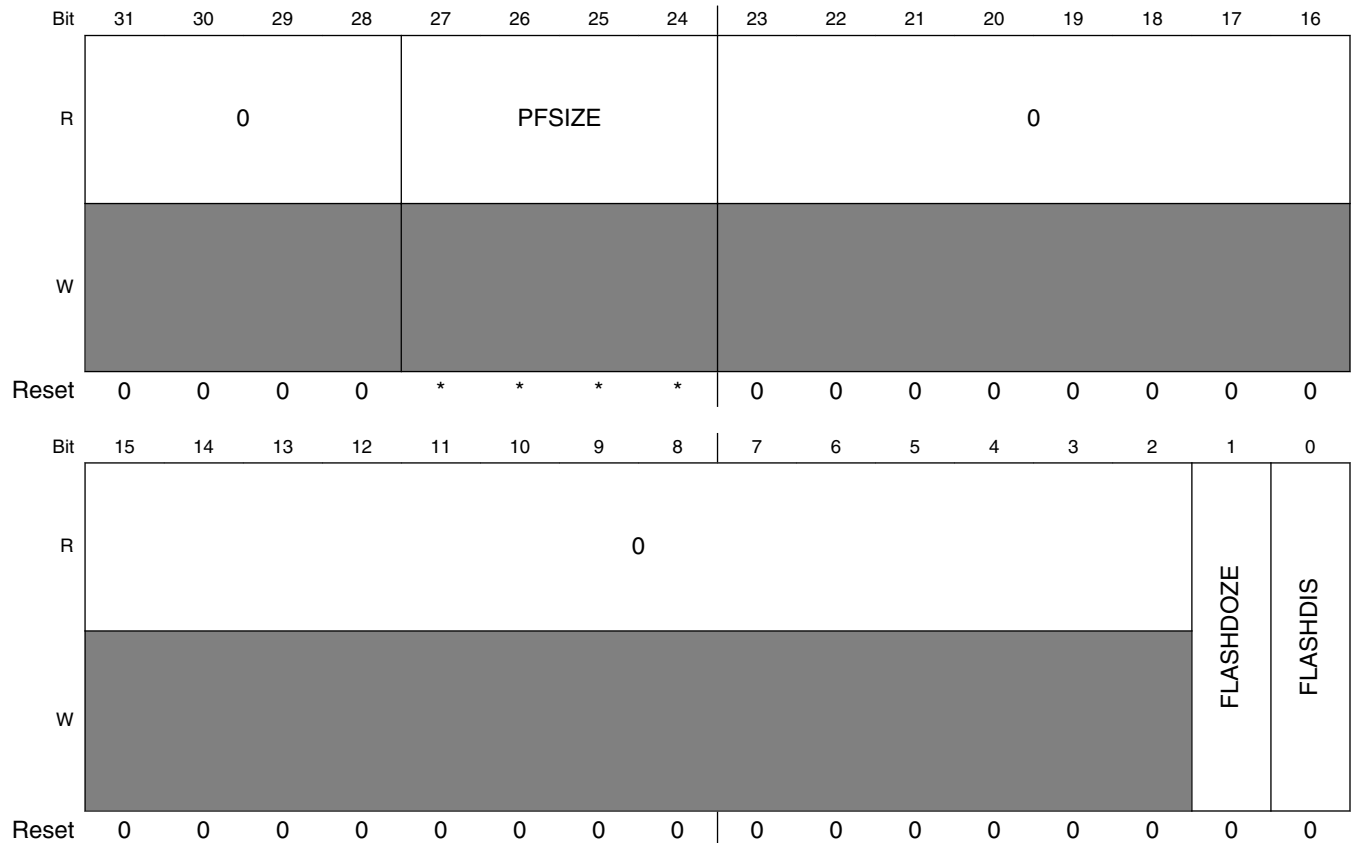
Table continues on the next page...

SIM_CLKDIV1 field descriptions (continued)

Field	Description
18–16 OUTDIV4	<p>Clock 4 Output Divider value</p> <p>Sets the divide value for the bus and flash clock and is in addition to the System clock divide ratio. At the end of reset, it is loaded with 0001 (divide by 2).</p> <p>000 Divide-by-1. 001 Divide-by-2. 010 Divide-by-3. 011 Divide-by-4. 100 Divide-by-5. 101 Divide-by-6. 110 Divide-by-7. 111 Divide-by-8.</p>
Reserved	<p>This field is reserved.</p> <p>This read-only field is reserved and always has the value 0.</p>

12.3.13 Flash Configuration Register 1 (SIM_FCFG1)

Address: 4004_7000h base + 104Ch offset = 4004_804Ch



- * Notes:
- PFSIZE field: Device specific value.

SIM_FCFG1 field descriptions

Field	Description
31–28 Reserved	This field is reserved. This read-only field is reserved and always has the value 0.
27–24 PFSIZE	Program Flash Size Specifies the amount of program flash memory available on the device. Undefined values are reserved. 0000 8 KB of program flash memory, 1 KB protection region 0001 16 KB of program flash memory, 1 KB protection region 0011 32 KB of program flash memory, 1 KB protection region 0101 64 KB of program flash memory, 2 KB protection region 0111 128 KB of program flash memory, 4 KB protection region 1001 256 KB of program flash memory, 8 KB protection region 1111 256 KB of program flash memory, 8 KB protection region
23–2 Reserved	This field is reserved. This read-only field is reserved and always has the value 0.
1 FLASHDOZE	Flash Doze When set, flash memory is disabled for the duration of Doze mode. This field must be clear during VLP modes. The flash will be automatically enabled again at the end of Doze mode so interrupt vectors do not need to be relocated out of flash memory. The wake-up time from Doze mode is extended when this field is set. An attempt by the DMA or other bus master to access the flash memory when the flash is disabled will result in a bus error. 0 Flash remains enabled during Doze mode. 1 Flash is disabled for the duration of Doze mode.
0 FLASHDIS	Flash Disable Flash accesses are disabled (and generate a bus error) and the flash memory is placed in a low-power state. This field should not be changed during VLP modes. Relocate the interrupt vectors out of Flash memory before disabling the Flash. 0 Flash is enabled. 1 Flash is disabled.

12.3.14 Flash Configuration Register 2 (SIM_FCFG2)

This is read only register, any write to this register will cause transfer error.

Address: 4004_7000h base + 1050h offset = 4004_8050h

Bit	31	30	29	28	27	26	25	24	23	22	21	20	19	18	17	16
R	0	MAXADDR0							1	MAXADDR1						
W																
Reset	0	*	*	*	*	*	*	*	1	*	*	*	*	*	*	*
Bit	15	14	13	12	11	10	9	8	7	6	5	4	3	2	1	0
R	0															
W																
Reset	0	0	0	0	0	0	0	0	0	0	0	0	0	0	0	0

* Notes:

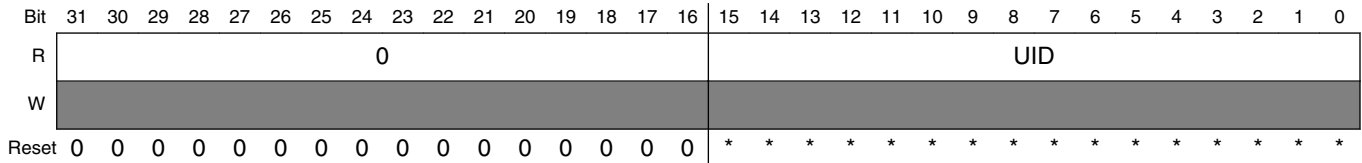
- MAXADDR0 field: Device specific value indicating amount of implemented flash.
- MAXADDR1 field: Device specific value indicating amount of implemented flash.

SIM_FCFG2 field descriptions

Field	Description
31 Reserved	This field is reserved. This read-only field is reserved and always has the value 0.
30–24 MAXADDR0	Max Address lock This field concatenated with 13 trailing zeros indicates the first invalid address of program flash (block 0). For example, if MAXADDR0 = 0x10, the first invalid address of program flash (block 0) is 0x0002_0000. This would be the MAXADDR0 value for a device with 128 KB program flash in flash block 0.
23 Reserved	This field is reserved. This read-only field is reserved and always has the value 1.
22–16 MAXADDR1	This field concatenated with leading zeros plus the value of the MAXADDR0 field indicates the first invalid address of the second program flash block (flash block 1). For example, if MAXADDR0 = MAXADDR1 = 0x10 the first invalid address of flash block 1 is 0x2_0000 + 0x2_0000. This would be the MAXADDR1 value for a device with 256 KB program flash memory across two flash blocks.
Reserved	This field is reserved. This read-only field is reserved and always has the value 0.

12.3.15 Unique Identification Register Mid-High (SIM_UIDMH)

Address: 4004_7000h base + 1058h offset = 4004_8058h



* Notes:

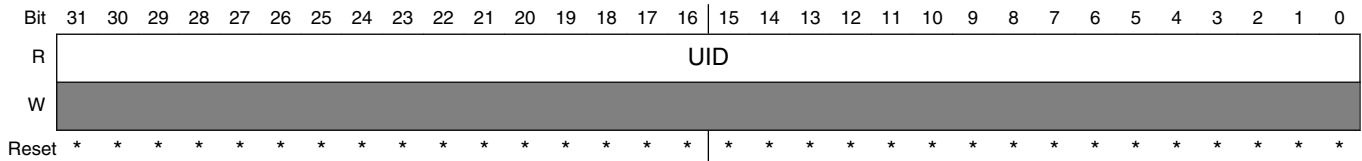
- UID field: Device specific value.

SIM_UIDMH field descriptions

Field	Description
31–16 Reserved	This field is reserved. This read-only field is reserved and always has the value 0.
UID	Unique Identification Unique identification for the device.

12.3.16 Unique Identification Register Mid Low (SIM_UIDML)

Address: 4004_7000h base + 105Ch offset = 4004_805Ch



* Notes:

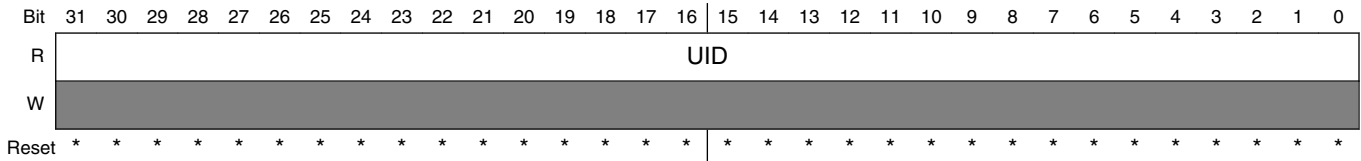
- UID field: Device specific value.

SIM_UIDML field descriptions

Field	Description
UID	Unique Identification Unique identification for the device.

12.3.17 Unique Identification Register Low (SIM_UIDL)

Address: 4004_7000h base + 1060h offset = 4004_8060h



* Notes:

- UID field: Device specific value.

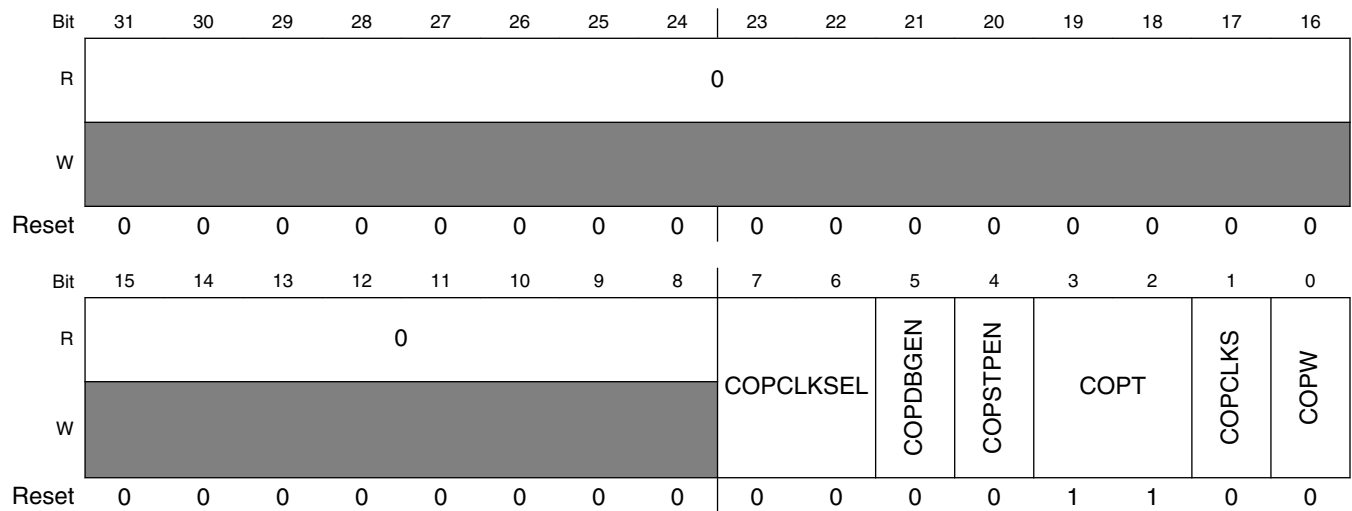
SIM_UIDL field descriptions

Field	Description
UID	Unique Identification Unique identification for the device.

12.3.18 COP Control Register (SIM_COPC)

All of the bits in this register can be written only once after a reset, writing this register will also reset the COP counter.

Address: 4004_7000h base + 1100h offset = 4004_8100h



SIM_COPC field descriptions

Field	Description
31–8 Reserved	This field is reserved. This read-only field is reserved and always has the value 0.

Table continues on the next page...

SIM_COPC field descriptions (continued)

Field	Description
7–6 COPCLKSEL	<p>COP Clock Select</p> <p>This write-once field selects the clock source of the COP watchdog.</p> <p>00 LPO clock (1 kHz) 01 MCGIRCLK 10 OSCERCLK 11 Bus clock</p>
5 COPDBGEN	<p>COP Debug Enable</p> <p>0 COP is disabled and the counter is reset in Debug mode 1 COP is enabled in Debug mode</p>
4 COPSTPEN	<p>COP Stop Enable</p> <p>0 COP is disabled and the counter is reset in Stop modes 1 COP is enabled in Stop modes</p>
3–2 COPT	<p>COP Watchdog Timeout</p> <p>This write-once field selects the timeout period of the COP. COPT along with the COPCLKS field define the COP timeout period.</p> <p>00 COP disabled 01 COP timeout after 2^5 cycles for short timeout or 2^{13} cycles for long timeout 10 COP timeout after 2^8 cycles for short timeout or 2^{16} cycles for long timeout 11 COP timeout after 2^{10} cycles for short timeout or 2^{18} cycles for long timeout</p>
1 COPCLKS	<p>COP Clock Select</p> <p>This write-once field selects between a short timeout or a long timeout, the COP clock source is configured by COPCLKSEL.</p> <p>0 COP configured for short timeout 1 COP configured for long timeout</p>
0 COPW	<p>COP Windowed Mode</p> <p>Windowed mode is supported for all COP clock sources, but only when the COP is configured for a long timeout. The COP window is opened three quarters through the timeout period and will generate a system reset if the COP is serviced outside of that time.</p> <p>0 Normal mode 1 Windowed mode</p>

12.3.19 Service COP (SIM_SRVCOP)

This is write only register, any read to this register will cause transfer error.

Address: 4004_7000h base + 1104h offset = 4004_8104h

Bit	31	30	29	28	27	26	25	24	23	22	21	20	19	18	17	16	15	14	13	12	11	10	9	8	7	6	5	4	3	2	1	0
R	Reserved																SRVCOP															
W	Reserved																SRVCOP															
Reset	0	0	0	0	0	0	0	0	0	0	0	0	0	0	0	0	0	0	0	0	0	0	0	0	0	0	0	0	0	0	0	0

SIM_SRVCOP field descriptions

Field	Description
31–8 Reserved	This field is reserved.
SRVCOP	Service COP Register Write 0x55 and then 0xAA (in that order) to reset the COP timeout counter, writing any other value will generate a system reset.

12.4 Functional description

See [Introduction](#) section.

12.4.1 COP watchdog operation

The COP watchdog is intended to force a system reset when the application software fails to execute as expected. To prevent a system reset from the COP timer (when it is enabled), the application software must reset the COP counter periodically. If the application program gets lost and fails to reset the COP counter before it times out, a system reset is generated to force the system back to a known starting point.

After any reset, the COP watchdog is enabled. If the COP watchdog is not used in an application, it can be disabled by clearing SIM_COPC[COPT].

The COP counter is reset by writing 0x55 and 0xAA (in that order) to the address of the SIM's Service COP (SRVCOP) register during the selected timeout period. Writes do not affect the data in the SRVCOP register. As soon as the write sequence is complete, the

COP timeout period is restarted. If the program fails to perform this restart during the timeout period, the microcontroller resets. Also, if any value other than 0x55 or 0xAA is written to the SRVCOP register, the microcontroller immediately resets.

SIM_COPC[COPCLKS] and SIM_COPCTRL[COPCLKSEL] select the timeout duration and clock source used for the COP timer. The clock source options are either the bus clock, 8 MHz/2 MHz IRC, external crystal or an internal 1 kHz clock source. With each clock source, the associated timeouts are controlled by SIM_COPC[COPT] and SIM_COPC[COPCLKS]. The following table summarizes the control functions of SIM_COPCTRL[COPCLKS] and SIM_COPC[COPCLKSEL] and SIM_COPC[COPT] fields. The COP watchdog defaults to operation from the 1 kHz clock source and the longest timeout is 2¹⁰ cycles.

Table 12-1. COP configuration options

Control bits			Clock source	COP window opens (SIM_COPC[COPW]=1)	COP overflow count
SIM_COPC[COPCLKSEL]	SIM_COPC[COPCLKS]	SIM_COPC[COPT]			
N/A	N/A	00	N/A	N/A	COP is disabled.
00	0	01	1 kHz	N/A	2 ⁵ cycles (32ms)
	1			6,144 cycles	2 ¹³ cycles (8192ms)
00	0	10	1 kHz	N/A	2 ⁸ cycles (256ms)
	1			49,152 cycles	2 ¹⁶ cycles (65536ms)
00	0	11	1 kHz	N/A	2 ¹⁰ cycles (1024 ms)
	1			196,608 cycles	2 ¹⁸ cycles (262144ms)
01	0	01	8/2 MHz	N/A	2 ⁵ cycles
	1			6,144 cycles	2 ¹³ cycles
01	0	10	8/2 MHz	N/A	2 ⁸ cycles
	1			49,152 cycles	2 ¹⁶ cycles
01	0	11	8/2 MHz	N/A	2 ¹⁰ cycles
	1			196,608 cycles	2 ¹⁸ cycles
10	0	01	crystal	N/A	2 ⁵ cycles
	1			6,144 cycles	2 ¹³ cycles
10	0	10	crystal	N/A	2 ⁸ cycles
	1			49,152 cycles	2 ¹⁶ cycles
10	0	11	crystal	N/A	2 ¹⁰ cycles
	1			196,608 cycles	2 ¹⁸ cycles
01	0	01	bus	N/A	2 ⁵ cycles
	1			6,144 cycles	2 ¹³ cycles
01	0	10	bus	N/A	2 ⁸ cycles

Table continues on the next page...

Table 12-1. COP configuration options (continued)

Control bits			Clock source	COP window opens (SIM_COPC[COPW]=1)	COP overflow count
SIM_COPC[COPCLK SEL]	SIM_COPC[COPCLK S]	SIM_COPC[COP T]			
	1			49,152 cycles	2 ¹⁶ cycles
01	0	11	bus	N/A	2 ¹⁰ cycles
	1			196,608 cycles	2 ¹⁸ cycles

After the long timeout (COPCLKS = 1) is selected, windowed COP operation is available by setting SIM_COPC[COPW]. In this mode, writes to SIM_SRVCOP to clear the COP timer must occur in the last 25% of the selected timeout period. A premature write immediately resets the chip. When the short timeout (COPCLKS =0) is selected, windowed COP operation is not available.

The COP counter is initialized by the first writes to SIM_COPC and after any system reset. Subsequent writes to SIM_COPC have no effect on COP operation. Even if an application uses the reset default settings of SIM_COPC[COPT], SIM_COPC[COPCLKS], SIM_COPC[COPCLKSEL], and SIM_COPC[COPW] fields, the user should write to the write-once SIM_COPC register during reset initialization to lock in the settings. This approach prevents accidental changes if the application program becomes lost.

The write to SIM_SRVCOP that services (clears) the COP counter should not be placed in an interrupt service routine (ISR) because the ISR could continue to be executed periodically even if the main application program fails.

If the selected clock is not the 1 kHz clock source, the COP counter does not increment while the microcontroller is in Debug mode or while the system is in Stop (including VLPS or LLS) mode. The COP counter resumes when the microcontroller exits Debug or Stop mode.

The COP counter is re-initialized to 0 upon entry to either Debug mode or Stop (including VLPS or LLS) mode. The counter begins from 0 upon exit from Debug mode or Stop mode.

The COP counter can also be configured to continue incrementing during Debug mode or Stop (including VLPS) mode if either COPDBGEN or COPSTPEN are set respectively. When the selected clock is the bus clock and COPSTEN bit is set, the COP counter cannot increment during Stop modes, however the COP counter is not reset to 0.

Regardless of the clock selected, the COP is disabled when the chip enters a VLLSx mode. Upon a reset that wakes the chip from the VLLSx mode, the COP is reinitialized and enabled as for any reset.

Chapter 13

Kinetis ROM Bootloader

13.1 Chip-Specific Information

This device has various peripherals (UART, I2C, SPI , USB) supported by the Kinetis ROM Bootloader. To use an interface for bootloader communications, the peripheral must be enabled in the BCA, as shown in [Table 13-3](#). If the BCA is invalid (such as all 0xFF bytes), then all peripherals will be enabled by default. The next table shows the pads used by the Kinetis ROM Bootloader.

Table 13-1. Kinetis Bootloader Peripheral Pinmux

Port	Signal
PTA2	LPUART0_TX
PTA1	LPUART0_RX
PTB0	I2C0_SCL
PTB1	I2C0_SDA
PTC4	SPI0_SS_b
PTC7	SPI0_MISO
PTC6	SPI0_MOSI
PTC5	SPI0_SCK
USB0_DP	USB0_DP
USB0_DM	USB0_DM

13.2 Introduction

The Kinetis bootloader is the program residing in the on-chip read-only memory (ROM) of a Kinetis microcontroller device. There is hardware logic in place at boot time that either starts execution of an embedded image available on the internal flash memory, or starts the execution of the Kinetis Bootloader from on-chip ROM.

The Kinetis Bootloader's main task is to provision the internal flash memory with an embedded firmware image during manufacturing, or at any time during the life of the Kinetis device. The Kinetis Bootloader does the provisioning by acting as a slave device, and listening to various peripheral ports where a master can start communication.

For the Kinetis device, the Kinetis Bootloader can interface with USB, I2C, SPI, and LPUART peripherals in slave mode and respond to the commands sent by a master (or host) communicating on one of those ports. The host/master can be a firmware-download application running on a PC or an embedded host communicating with the Kinetis Bootloader. Regardless of the host/master (PC or embedded host), the Kinetis Bootloader always uses a command protocol to communicate with that host/master. Commands are provided to write to memory (internal flash or RAM), erase flash, and get/set bootloader options and property values. The host application can query the set of available commands.

On start-up, the bootloader reads optional configuration parameters from a fixed area on flash called the bootloader configuration area (BCA). These parameters can be modified by the write memory command or by downloaded flash image. BCA parameters include configuration data such as enabled peripherals, peripheral-specific settings, etc.

This chapter describes Kinetis Bootloader features, functionality, command structure and which peripherals are supported.

Features supported by the Kinetis Bootloader in Kinetis ROM:

- Supports USB, I2C, SPI, and LPUART peripheral interfaces
- Automatic detection of the active peripheral
- Ability to disable any peripheral
- LPUART peripheral implements autobaud
- Common packet-based protocol for all peripherals
- Packet error detection and retransmission
- Flash-resident configuration options
- Fully supports internal flash security, including ability to mass erase or unlock security via the backdoor key
- Protection of RAM used by the bootloader while it is running
- Provides command to read properties of the device, such as flash and RAM size
- Multiple options for executing the bootloader either at system start-up or under application control at runtime

Table 13-2. Commands supported by the Kinetis Bootloader in ROM

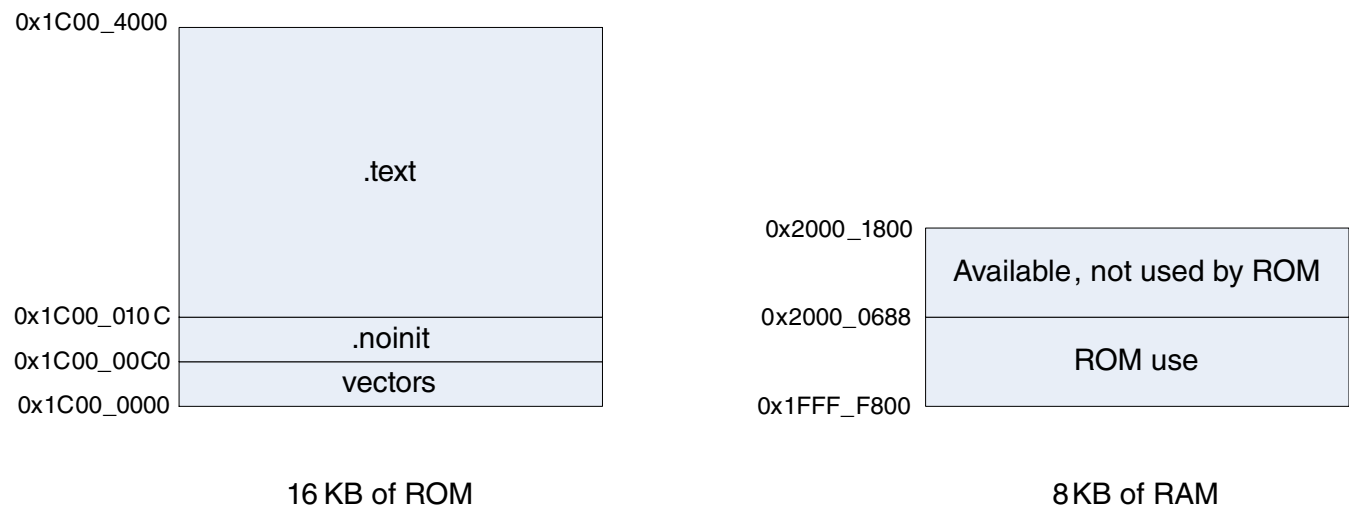
Command	Description	When flash security is enabled, then this command is
Execute	Run user application code that never returns control to the bootloader	Not supported
FlashEraseAll	Erase the entire flash array	Not supported
FlashEraseRegion	Erase a range of sectors in flash	Not supported
WriteMemory	Write data to memory	Not supported
ReadMemory	Read data from memory	Not supported
FlashSecurityDisable	Attempt to unlock flash security using the backdoor key	Supported
GetProperty	Get the current value of a property	Supported
Reset	Reset the chip	Supported
SetProperty	Attempt to modify a writable property	Supported
FlashEraseAllUnsecure	Erase the entire flash array, including protected sectors	Supported

13.3 Functional Description

The following sub-sections describe the Kinetis Bootloader in KLx3 ROM functionality.

13.3.1 Memory Maps

While executing, the Kinetis Bootloader uses ROM and RAM memory.

**Figure 13-1. Kinetis Bootloader ROM/RAM Memory Maps**

13.3.2 The Kinetis Bootloader Configuration Area (BCA)

The Kinetis Bootloader reads data from the Bootloader Configuration Area (BCA) to configure various features of the bootloader. The BCA resides in flash memory at offset 0x3C0, and provides all of the parameters needed to configure the Kinetis Bootloader operation. For uninitialized flash, the Kinetis Bootloader uses a predefined default configuration. A host application can use the Kinetis Bootloader to program the BCA for use during subsequent initializations of the bootloader.

Table 13-3. Configuration Fields for the Kinetis Bootloader

Offset	Size (bytes)	Configuration Field	Description
0x00 - 0x03	4	tag	Magic number to verify bootloader configuration is valid. Must be set to 'kcfg'.
0x04 - 0x07	4	-	Reserved in KLx3
0x08 - 0x0B	4	-	Reserved in KLx3
0x0C - 0x0F	4	-	Reserved in KLx3
0x10	1	enabledPeripherals	Bitfield of peripherals to enable. bit 0 LPUART bit 1 I2C bit 2 SPI bit 4 USB Kinetis bootloader will enable the peripheral if corresponding bit is set to 1.
0x11	1	i2cSlaveAddress	If not 0xFF, used as the 7-bit I2C slave address. If 0xFF, defaults to 0x10 for I2C slave address
0x12 - 0x13	2	peripheralDetectionTimeout	Timeout in milliseconds for active peripheral detection. If 0xFFFF, defaults to 5 seconds.
0x14 - 0x15	2	usbVid	Sets the USB Vendor ID reported by the device during enumeration. If 0xFFFF, it defaults to 0x15A2.
0x16 - 0x17	2	usbPid	Sets the USB Product ID reported by the device during enumeration.
0x18 - 0x1B	4	usbStringsPointer	Sets the USB Strings reported by the device during enumeration. Default string values are described in the USB peripheral section.
0x1C	1	clockFlags	See Table 13-5 , clockFlags Configuration Field
0x1D	1	clockDivider	Inverted value of the divider to use for core and bus clocks when in high speed mode

Table continues on the next page...

Table 13-3. Configuration Fields for the Kinetis Bootloader (continued)

Offset	Size (bytes)	Configuration Field	Description
0x1F	1	pad byte	N/A
0x24	4	Reserved	-
0x28	8	Reserved	-
0x30	4	Reserved	-
0x34	12	Reserved	-

NOTE

The flash sector containing the BCA should not be located in the execute-only region, because the Kinetis bootloader cannot read an execute-only region.

The first configuration field 'tag' is a tag value or magic number. The tag value must be set to 'kcfg' for the bootloader configuration data to be recognized as valid. If tag-field verification fails, then the Kinetis Bootloader assumes that the flash is not initialized and uses a predefined default configuration. The tag value is treated as a character string, so bytes 0-3 must be set as shown in the table.

Table 13-4. tag Configuration Field

Offset	tag Byte Value
0	'k' (0x6B)
1	'c' (0x63)
2	'f' (0x66)
3	'g' (0x67)

The flags in the clockFlags configuration field are enabled if the corresponding bit is cleared (0).

Table 13-5. clockFlags Configuration Field

Bit	Flag	Description
0	HighSpeed	Enable high speed mode (i.e., 48 MHz).
1 - 7	Reserved	

13.3.3 Start-up Process

Any of the following conditions will force the hardware to start the Kinetis Bootloader:

- FOPT [7] is set to 1. This forces the ROM to run out of reset.

Functional Description

- The BOOTCFG0 pin is asserted. The pin must be configured as BOOTCFG0 by setting the BOOTPIN_OPT bit of FOPT to 0.
- A user applications running on flash or RAM calls into the Kinetis Bootloader entry point address in ROM, to start Kinetis Bootloader execution.

The FOPT[BOOTSRC_SEL] determines the boot source. The FOPT register is located in the flash configuration field at address 0x40D in the flash memory array. For a complete list of options, see the Boot options section in the Reset and Boot chapter. If FOPT [7] is set to 1, then the device will boot to ROM out of reset. Flash memory defaults to all 1s when erased, so a blank chip will automatically boot to ROM.

The BOOTCFG0 pin is shared with the NMI pin, with NMI being the default usage. Regardless of whether the NMI pin is enabled or not, the NMI functionality is disabled if the ROM is executed out of reset, for as long as the ROM is running.

When the ROM is executed out of reset, vector fetches from the CPU are redirected to the ROM's vector table in ROM memory at offset 0x1C00_0000. This ensures that any exceptions will be handled by the ROM.

After the Kinetis Bootloader has started, the following procedure starts bootloader operations:

1. The RCM_MR [FORCEROM] bits are set, so that the device will reboot back into the ROM if/when the device is reset.
2. Initializes the bootloader's .data and .bss sections.
3. Reads bootloader configuration data from flash at address 0x3C0. The configuration data is only used if the tag field is set to the expected 'kcfg' value. If the tag is incorrect, then the configuration values are set to default, as if the data was all 0xFF bytes.
4. Clocks are configured. See the [Clock Configuration](#) section.
5. Enabled peripherals are initialized.
6. The bootloader waits for communication to begin on a peripheral.
 - If detection times out, then the bootloader jumps to the user application in flash. See [Bootloader Exit state](#) section.
 - If communication is detected, then all inactive peripherals are shut down, and the command phase is entered.

NOTE

The flash sector containing the vector table should not be located in the execute-only region, because the Kinetis bootloader cannot read the PC and SP addresses in an execute-only region.

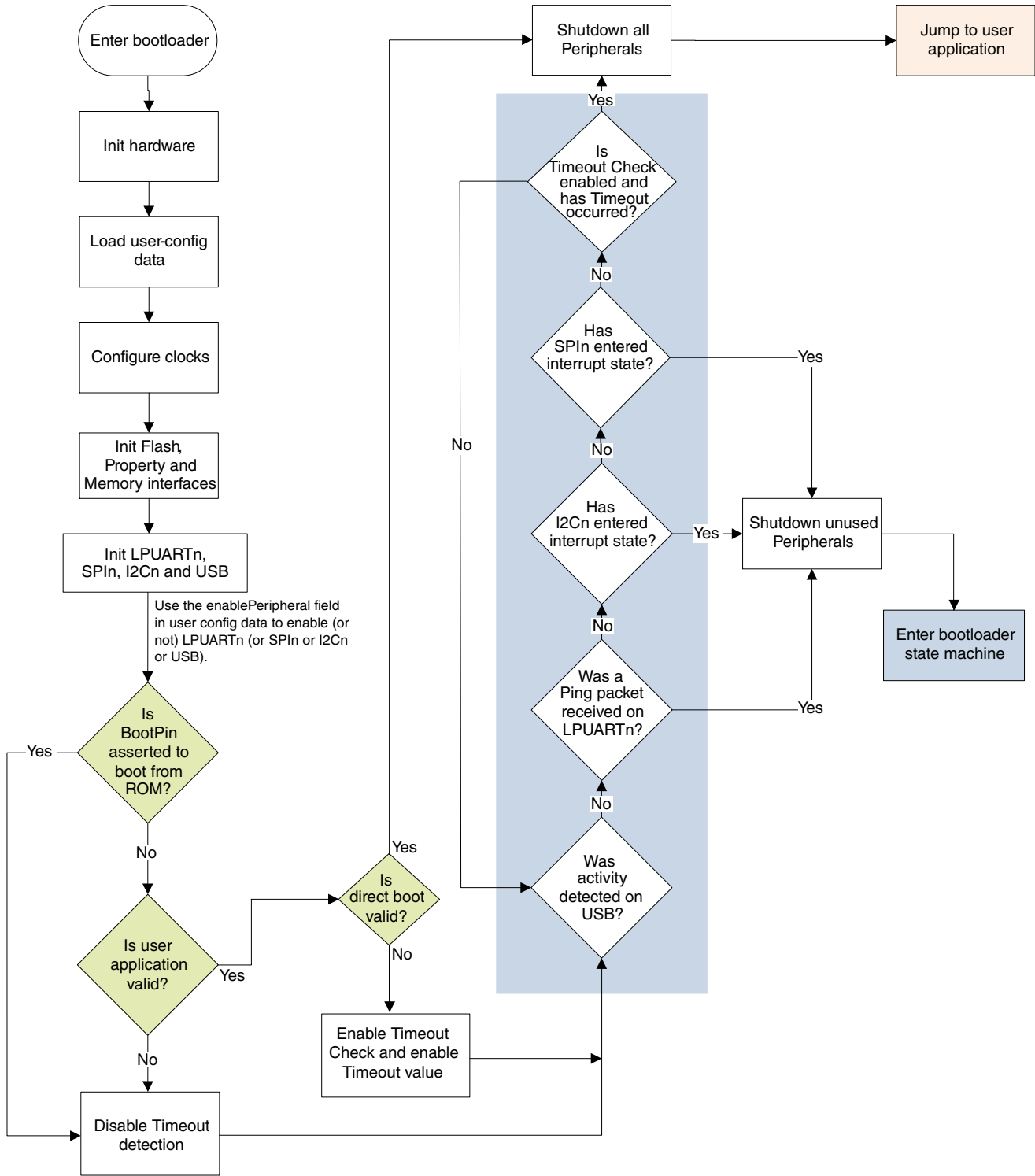


Figure 13-2. Kinetis Bootloader Start-up Flowchart

13.3.4 Clock Configuration

By default, the bootloader does not modify clocks. The Kinetis Bootloader in ROM will use the clock configuration of the chip out of reset unless the clock configuration bits in the FOPT register are cleared, or if a USB peripheral is enabled.

- Alternate clock configurations are supported, by setting fields in the Bootloader Configuration Area (BCA) shown in [Table 13-3](#).
- If the HighSpeed flag of the clockFlags configuration value is cleared, or if a USB peripheral is enabled, the bootloader will enable the internal 48 MHz reference clock.
- In high speed mode, the core and bus clock frequencies are determined by the clockDivider configuration value.
- The core clock divider is set directly from the inverted value of the clockDivider unless a USB peripheral is enabled. If a USB peripheral is enabled and the inverted value of the clockDivider is greater than 2, then the value is reduced to 2, in order to keep the CPU clock above 20 MHz.
- The bus clock divider is set to 1, unless the resulting bus clock frequency would be greater than the maximum supported value. In this case, the bus clock divider is increased until the bus clock frequency is at or below the maximum.
- Note that the maximum baud rate of serial peripherals is related to the core and bus clock frequencies. To achieve the desired baud rates, high speed mode should be enabled in BCA.

13.3.5 Bootloader Entry Point

The Kinetis Bootloader provides a function (runBootloader) that a user application can call, to run the bootloader.

To get the address of the entry point, the user application reads the word containing the pointer to the bootloader API tree at offset 0x1C of the bootloader's vector table. The vector table is placed at the base of the bootloader's address range, which for the ROM is 0x1C00_0000. Thus, the API tree pointer is at address 0x1C00_001C.

The bootloader API tree is a structure that contains pointers to other structures, which have the function and data addresses for the bootloader. The bootloader entry point is always the first word of the API tree.

The prototype of the entry point is:

```
void run_bootloader(void * arg);
```

The arg parameter is currently unused, and is intended for future expansion (for example, passing options to the bootloader). To ensure future compatibility, a value of NULL should be passed for arg.

Example code to get the entry pointer address from the ROM and start the bootloader.

NOTE

This entry must be called in supervisor (privileged) mode.

```
// Variables
uint32_t runBootloaderAddress;
void (*runBootloader)(void * arg);

// Read the function address from the ROM API tree.
runBootloaderAddress = *(uint32_t *) (0x1c00001c);
runBootloader = (void (*)(void * arg))runBootloaderAddress;

// Start the bootloader.
runBootloader(NULL);
```

13.3.6 Bootloader Protocol

This section explains the general protocol for the packet transfers between the host and the Kinetis Bootloader. The description includes the transfer of packets for different transactions, such as commands with no data phase and commands with incoming or outgoing data phase. The next section describes various packet types used in a transaction.

Each command sent from the host is replied to with a response command.

Commands may include an optional data phase:

- If the data phase is **incoming** (from host to bootloader), then the data phase is part of the **original command**.
- If the data phase is **outgoing** (from bootloader to host), then the data phase is part of the **response command**.

NOTE

In all protocols (described in the next subsections), the Ack sent in response to a Command or Data packet can arrive at any time *before, during, or after* the Command/Data packet has processed.

13.3.6.1 Command with no data phase

The protocol for a command with no data phase contains:

- Command packet (from host)
- Generic response command packet (to host)

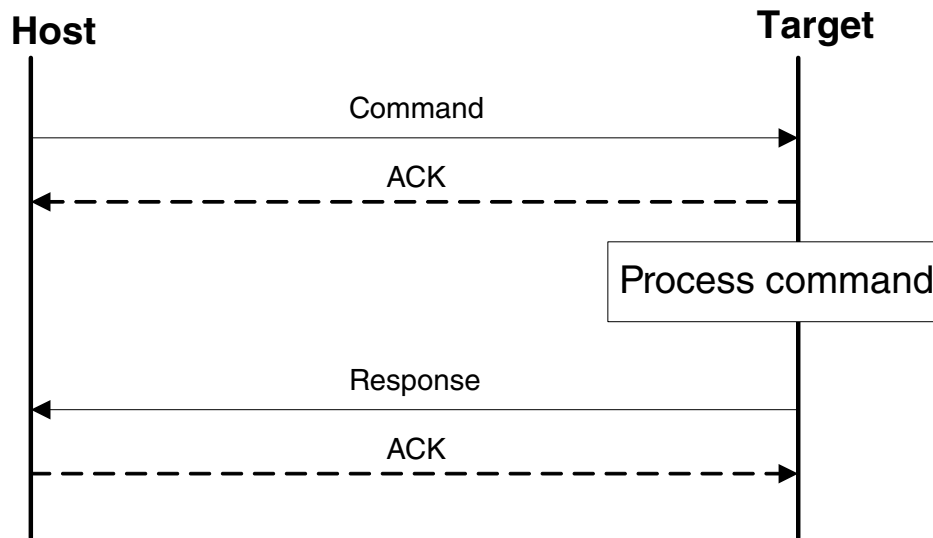


Figure 13-3. Command with No Data Phase

13.3.6.2 Command with incoming data phase

The protocol for a command with an incoming data phase contains:

- Command packet (from host)
- Generic response command packet (to host)
- Incoming data packets (from host)
- Generic response command packet (to host)

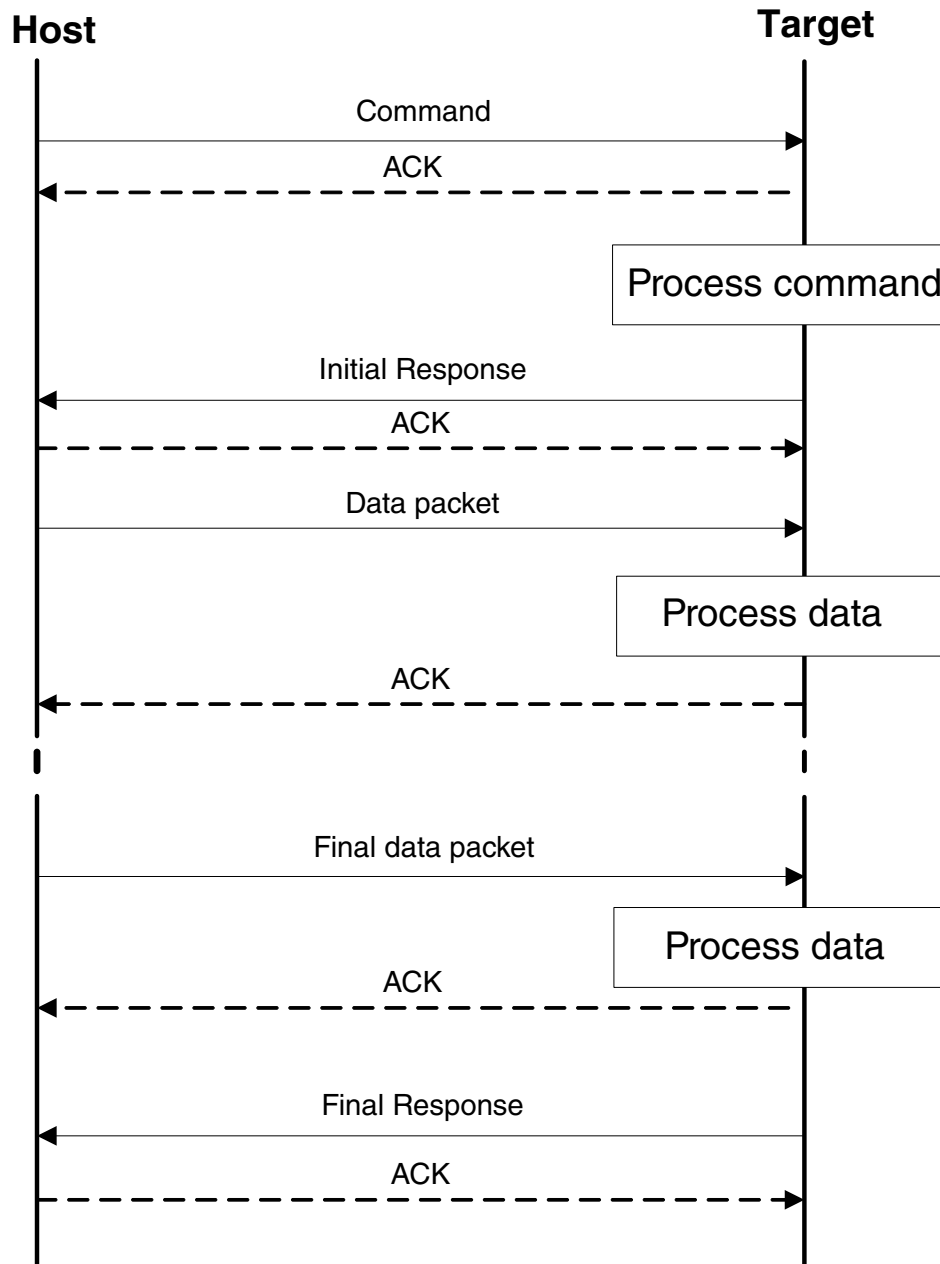


Figure 13-4. Command with incoming data phase

NOTE

- The host may not send any further packets while it (the host) is waiting for the response to a command.
- If the Generic Response packet prior to the start of the data phase does not have a status of `kStatus_Success`, then the data phase is aborted.
- Data phases may be aborted by the receiving side by sending the final Generic Response early with a status of

kStatus_AbortDataPhase. The host may abort the data phase early by sending a zero-length data packet.

- The final Generic Response packet *sent after the data phase* includes the status for the entire operation.

13.3.6.3 Command with outgoing data phase

The protocol for a command with an outgoing data phase contains:

- Command packet (from host)
- ReadMemory Response command packet (to host) (kCommandFlag_HasDataPhase set)
- Outgoing data packets (to host)
- Generic response command packet (to host)

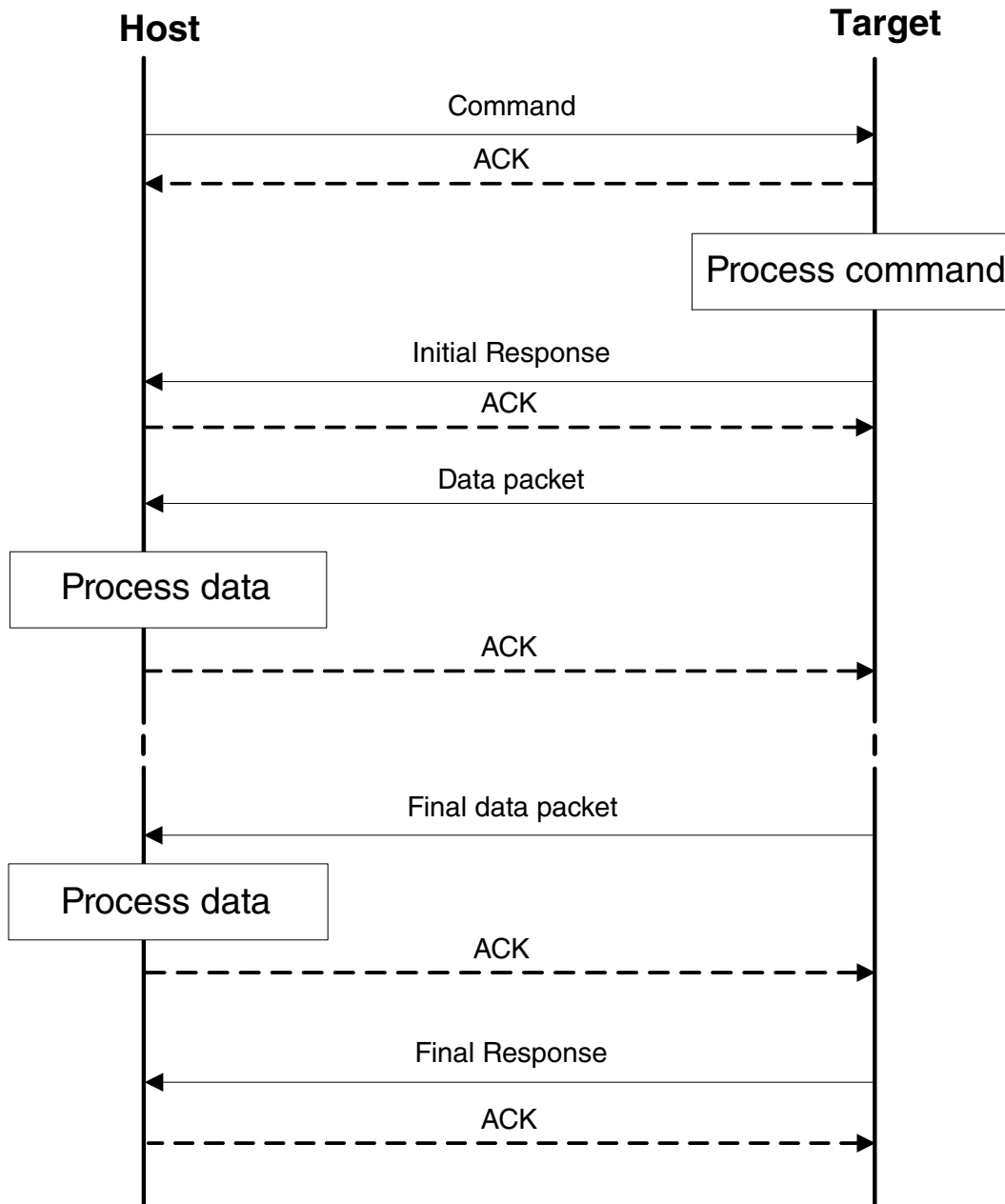


Figure 13-5. Command with outgoing data phase

NOTE

- For the outgoing data phase sequence above, the data phase is really considered part of the response command.
- The host may not send any further packets while it (the host) is waiting for the response to a command.
- If the ReadMemory Response command packet prior to the start of the data phase does not contain the `kCommandFlag_HasDataPhase` flag, then the data phase is aborted.

- Data phases may be aborted by the host sending the final Generic Response early with a status of kStatus_AbortDataPhase. The sending side may abort the data phase early by sending a zero-length data packet.
- The final Generic Response packet *sent after the data phase* includes the status for the entire operation.

13.3.7 Bootloader Packet Types

The Kinetis Bootloader device works in slave mode. All data communication is initiated by a host, which is either a PC or an embedded host . The Kinetis Bootloader device is the target, which receives a command or data packet. All data communication between host and target is packetized.

NOTE

The term "target" refers to the "Kinetis Bootloader device."

There are 6 types of packets used in the device:

- Ping packet
- Ping Response packet
- Framing packet
- Command packet
- Data packet
- Response packet

All fields in the packets are in little-endian byte order.

13.3.7.1 Ping packet

The Ping packet is the first packet sent from a host to the target (Kinetis Bootloader), to establish a connection on a selected peripheral. For a LPUART peripheral, the Ping packet is used to determine the baudrate. A Ping packet must be sent before any other communications. In response to a Ping packet, the target sends a Ping Response packet.

Table 13-6. Ping Packet Format

Byte #	Value	Name
0	0x5A	start byte
1	0xA6	ping

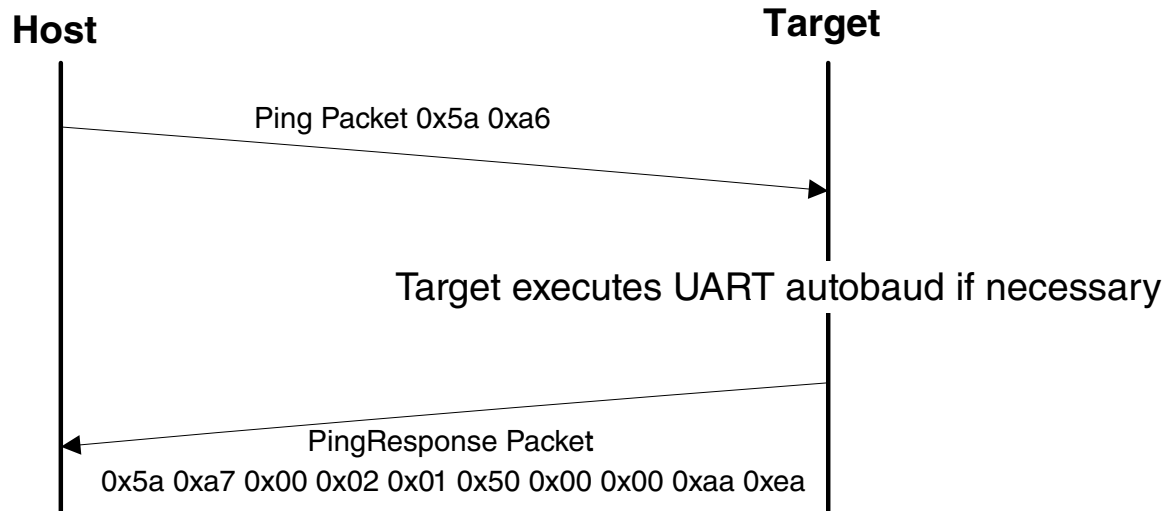


Figure 13-6. Ping Packet Protocol Sequence

13.3.7.2 Ping Response Packet

The target (Kinetis Bootloader) sends a Ping Response packet back to the host after receiving a Ping packet. If communication is over a LPUART peripheral, the target uses the incoming Ping packet to determine the baud rate before replying with the Ping Response packet. Once the Ping Response packet is received by the host, the connection is established, and the host starts sending commands to the target (Kinetis Bootloader).

Table 13-7. Ping Response Packet Format

Byte #	Value	Parameter
0	0x5A	start byte
1	0xA7	Ping response code
2		Protocol bugfix
3		Protocol minor
4		Protocol major
5		Protocol name = 'P' (0x50)
6		Options low
7		Options high
8		CRC16 low
9		CRC16 high

13.3.7.3 Framing Packet

The framing packet is used for flow control and error detection, and it (the framing packet) wraps command and data packets as well.

The framing packet described in this section is used for serial peripherals including LPUART, I2C and SPI. The USB HID peripheral does not use framing packets. Instead, the packetization inherent in the USB protocol itself is used. Please refer to the [USB peripheral](#) section for details.

Table 13-8. Framing Packet Format

Byte #	Value	Parameter	
0	0x5A	start byte	
1		packetType	
2		length_low	Length is a 16-bit field that specifies the entire command or data packet size in bytes.
3		length_high	
4		crc16_low	This is a 16-bit field. The CRC16 value covers entire framing packet, including the start byte and command or data packets, but does not include the CRC bytes. See the CRC16 algorithm after this table.
5		crc16_high	
6 . . . n		Command or Data packet payload	

A special framing packet that contains only a start byte and a packet type is used for synchronization between the host and target.

Table 13-9. Special Framing Packet Format

Byte #	Value	Parameter
0	0x5A	start byte
1	0xA n	packetType

The Packet Type field specifies the type of the packet from one of the defined types (below):

Table 13-10. packetType Field

packetType	Name	Description
0xA1	kFramingPacketType_Ack	The previous packet was received successfully; the sending of more packets is allowed.
0xA2	kFramingPacketType_Nak	The previous packet was corrupted and must be re-sent.
0xA3	kFramingPacketType_AckAbort	Data phase is being aborted.
0xA4	kFramingPacketType_Command	The framing packet contains a command packet payload.
0xA5	kFramingPacketType_Data	The framing packet contains a data packet payload.

Table continues on the next page...

Table 13-10. packetType Field (continued)

packetType	Name	Description
0xA6	kFramingPacketType_Ping	Sent to verify the other side is alive. Also used for UART autobaud.
0xA7	kFramingPacketType_PingResponse	A response to Ping; contains the framing protocol version number and options.

CRC16 algorithm:

```

uint16_t crc16_update(const uint8_t * src, uint32_t lengthInBytes)
{
    uint32_t crc = 0;
    uint32_t j;
    for (j=0; j < lengthInBytes; ++j)
    {
        uint32_t i;
        uint32_t byte = src[j];
        crc ^= byte << 8;
        for (i = 0; i < 8; ++i)
        {
            uint32_t temp = crc << 1;
            if (crc & 0x8000)
            {
                temp ^= 0x1021;
            }
            crc = temp;
        }
    }
    return crc;
}

```

13.3.7.4 Command packet

The command packet carries a 32-bit command header and a list of 32-bit parameters.

Table 13-11. Command Packet Format

Command Packet Format (32 bytes)										
Command Header (4 bytes)				28 bytes for Parameters (Max 7 parameters)						
Tag	Flags	Rsvd	Param Count	Param1 (32-bit)	Param2 (32-bit)	Param3 (32-bit)	Param4 (32-bit)	Param5 (32-bit)	Param6 (32-bit)	Param7 (32-bit)
byte 0	byte 1	byte 2	byte 3							

Table 13-12. Command Header Format

Byte #	Command Header Field	
0	Command or Response tag	The command header is 4 bytes long, with these fields.
1	Flags	
2	Reserved. Should be 0x00.	
3	ParameterCount	

The header is followed by 32-bit parameters up to the value of the ParameterCount field specified in the header. Because a command packet is 32 bytes long, only 7 parameters can fit into the command packet.

Command packets are also used by the target to send responses back to the host. As mentioned earlier, command packets and data packets are embedded into framing packets for all of the transfers.

Table 13-13. Commands that are supported

Command	Name
0x01	FlashEraseAll
0x02	FlashEraseRegion
0x03	ReadMemory
0x04	WriteMemory
0x05	Reserved
0x06	FlashSecurityDisable
0x07	GetProperty
0x08	Reserved
0x09	Execute
0x0A	Reserved
0x0B	Reset
0x0C	SetProperty
0x0D	FlashEraseAllUnsecure

Table continues on the next page...

Table 13-13. Commands that are supported (continued)

Command	Name
0x0E	Reserved
0x0F	Reserved
0x10	Reserved
0x11	Reserved

Table 13-14. Responses that are supported

Response	Name
0xA0	GenericResponse
0xA7	GetPropertyResponse (used for sending responses to GetProperty command only)
0xA3	ReadMemoryResponse (used for sending responses to ReadMemory command only)

Flags: Each command packet contains a Flag byte. Only bit 0 of the flag byte is used. If bit 0 of the flag byte is set to 1, then data packets will follow in the command sequence. The number of bytes that will be transferred in the data phase is determined by a command-specific parameter in the parameters array.

ParameterCount: The number of parameters included in the command packet.

Parameters: The parameters are word-length (32 bits). With the default maximum packet size of 32 bytes, a command packet can contain up to 7 parameters.

13.3.7.5 Data packet

The data packet carries just the data, either host sending data to target, or target sending data to host. The data transfer direction is determined by the last command sent from the host. The data packet is also wrapped within a framing packet, to ensure the correct packet data is received.

The contents of a data packet are simply the data itself. There are no other fields, so that the most data per packet can be transferred. Framing packets are responsible for ensuring that the correct packet data is received.

13.3.7.6 Response packet

The responses are carried using the same command packet format wrapped with framing packet data. Types of responses include:

- GenericResponse
- GetPropertyResponse
- ReadMemoryResponse

GenericResponse: After the Kinetis Bootloader has processed a command, the bootloader will send a generic response with status and command tag information to the host. The generic response is the last packet in the command protocol sequence. The generic response packet contains the framing packet data and the command packet data (with generic response tag = 0xA0) and a list of parameters (defined in the next section). The parameter count field in the header is always set to 2, for status code and command tag parameters.

Table 13-15. GenericResponse Parameters

Byte #	Parameter	Description
0 - 3	Status code	The Status codes are errors encountered during the execution of a command by the target (Kinetis Bootloader). If a command succeeds, then a kStatus_Success code is returned. Table 13-40 , Kinetis Bootloader Status Error Codes, lists the status codes returned to the host by the Kinetis Bootloader for KLx3 ROM.
4 - 7	Command tag	The Command tag parameter identifies the response to the command sent by the host.

GetPropertyResponse: The GetPropertyResponse packet is sent by the target in response to the host query that uses the GetProperty command. The GetPropertyResponse packet contains the framing packet data and the command packet data, with the command/response tag set to a GetPropertyResponse tag value (0xA7).

The parameter count field in the header is set to greater than 1, to always include the status code and one or many property values.

Table 13-16. GetPropertyResponse Parameters

Byte #	Value	Parameter
0 - 3		Status code
4 - 7		Property value
...		...
		Can be up to maximum 6 property values, limited to the size of the 32-bit command packet and property type.

ReadMemoryResponse: The ReadMemoryResponse packet is sent by the target in response to the host sending a ReadMemory command. The ReadMemoryResponse packet contains the framing packet data and the command packet data, with the command/response tag set to a ReadMemoryResponse tag value (0xA3), the flags field set to kCommandFlag_HasDataPhase (1).

The parameter count set to 2 for the status code and the data byte count parameters shown below.

Table 13-17. ReadMemoryResponse Parameters

Byte #	Parameter	Description
0 - 3	Status code	The status of the associated Read Memory command.
4 - 7	Data byte count	The number of bytes sent in the data phase.

13.3.8 Bootloader Command API

All Kinetis Bootloader command APIs follow the command packet format that is wrapped by the framing packet, as explained in previous sections.

- For a list of commands supported by the Kinetis Bootloader in KLx3 ROM, see [Table 13-2, Commands supported](#).
- For a list of status codes returned by the Kinetis Bootloader in KLx3 ROM, see [Table 13-40, Kinetis Bootloader Status Error Codes](#).

NOTE

All the examples in this section depict byte traffic on serial peripherals that use framing packets. USB HID transactions use the USB HID report packets instead of the serial framing packets shown in this section. Please refer to the [HID reports](#) section for details of the USB HID packet structure.

13.3.8.1 Execute command

The execute command results in the bootloader setting the program counter to the code at the provided jump address, R0 to the provided argument, and a Stack pointer to the provided stack pointer address. Prior to the jump, the system is returned to the reset state.

The Jump address, function argument pointer, and stack pointer are the parameters required for the Execute command.

Table 13-18. Parameters for Execute Command

Byte #	Command
0 - 3	Jump address
4 - 7	Argument word
8 - 11	Stack pointer address

The Execute command has no data phase.

Response: Before executing the Execute command, the target (Kinetis Bootloader) will validate the parameters and return a GenericResponse packet with a status code either set to kStatus_Success or an appropriate error status code.

13.3.8.2 Reset command

The Reset command will result in bootloader resetting the chip.

The Reset command requires no parameters.

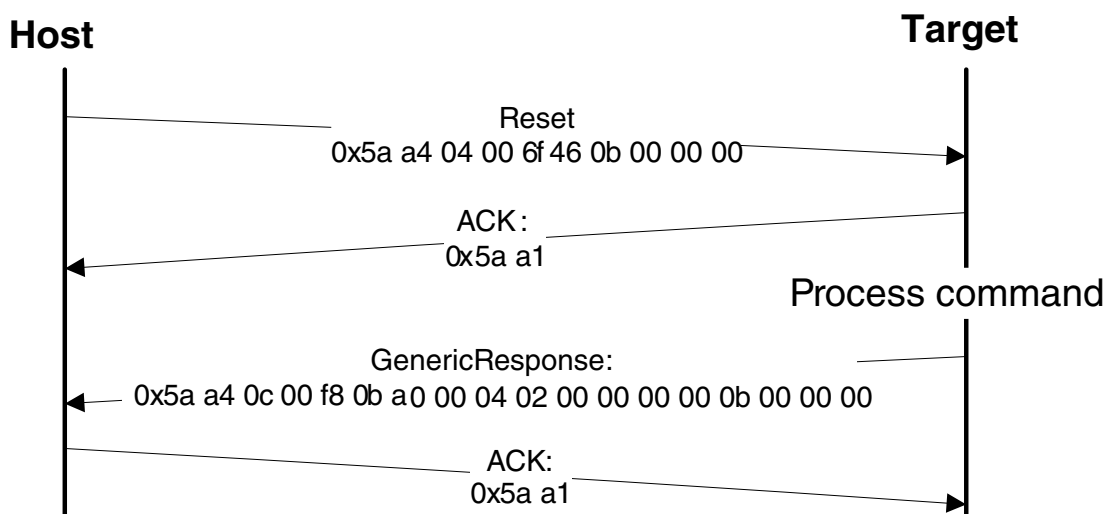


Figure 13-7. Protocol Sequence for Reset Command

Table 13-19. Reset Command Packet Format (Example)

Reset	Parameter	Value
Framing packet	start byte	0x5A
	packetType	0xA4, kFramingPacketType_Command
	length	0x04 0x00

Table continues on the next page...

Table 13-19. Reset Command Packet Format (Example) (continued)

Reset	Parameter	Value
	crc16	0x6F 0x46
Command packet	commandTag	0x0B - reset
	flags	0x00
	reserved	0x00
	parameterCount	0x00

The Reset command has no data phase.

Response: The target (Kinetis Bootloader) will return a GenericResponse packet with status code set to `kStatus_Success`, before resetting the chip.

13.3.8.3 GetProperty command

The GetProperty command is used to query the bootloader about various properties and settings. Each supported property has a unique 32-bit tag associated with it. The tag occupies the first parameter of the command packet. The target returns a GetPropertyResponse packet with the property values for the property identified with the tag in the GetProperty command.

Properties are the defined units of data that can be accessed with the GetProperty or SetProperty commands. Properties may be read-only or read-write. All read-write properties are 32-bit integers, so they can easily be carried in a command parameter.

For a list of properties and their associated 32-bit property tags supported by the Kinetis Bootloader in KLx3 ROM, see [Table 13-36](#).

The 32-bit property tag is the only parameter required for GetProperty command.

Table 13-20. Parameters for GetProperty Command

Byte #	Command
0 - 3	Property tag

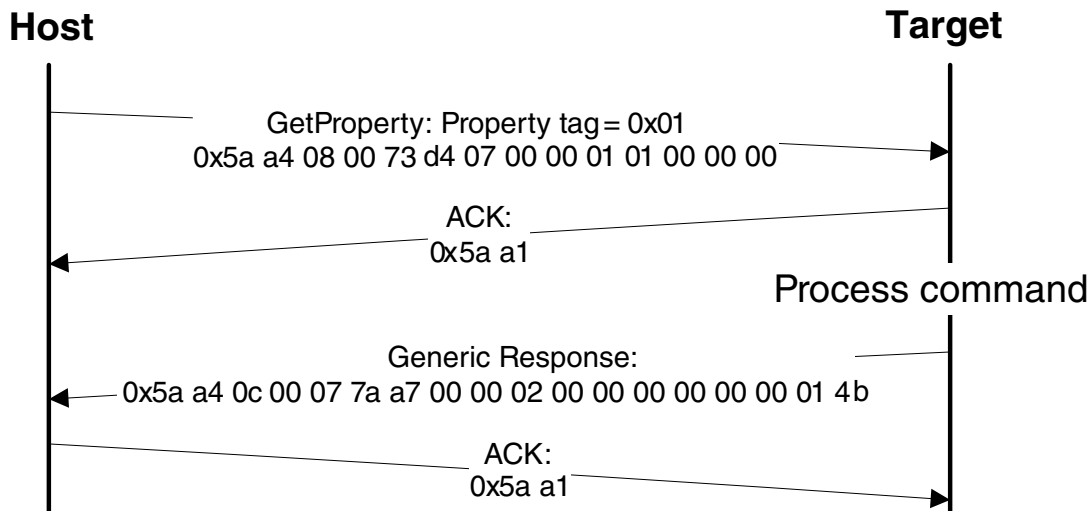


Figure 13-8. Protocol Sequence for GetProperty Command

Table 13-21. GetProperty Command Packet Format (Example)

GetProperty	Parameter	Value
Framing packet	start byte	0x5A
	packetType	0xA4, kFramingPacketType_Command
	length	0x08 0x00
	crc16	0x73 0xD4
Command packet	commandTag	0x07 – GetProperty
	flags	0x00
	reserved	0x00
	parameterCount	0x01
	propertyTag	0x00000001 - CurrentVersion

The GetProperty command has no data phase.

Response: In response to a GetProperty command, the target will send a GetPropertyResponse packet with the response tag set to 0xA7. The parameter count indicates the number of parameters sent for the property values, with the first parameter showing status code 0, followed by the property value(s). The next table shows an example of a GetPropertyResponse packet.

Table 13-22. GetProperty Response Packet Format (Example)

GetPropertyResponse	Parameter	Value
Framing packet	start byte	0x5A
	packetType	0xA4, kFramingPacketType_Command
	length	0x0c 0x00 (12 bytes)

Table continues on the next page...

Table 13-22. GetProperty Response Packet Format (Example) (continued)

GetPropertyResponse	Parameter	Value
	crc16	0x07 0x7a
Command packet	responseTag	0xA7
	flags	0x00
	reserved	0x00
	parameterCount	0x02
	status	0x00000000
	propertyValue	0x0000014b - CurrentVersion

13.3.8.4 SetProperty command

The SetProperty command is used to change or alter the values of the properties or options in the Kinetis Bootloader ROM. However, the SetProperty command can only change the value of properties that are writable—see [Table 13-36](#), Properties used by Get/SetProperty Commands. If you try to set a value for a read-only property, then the Kinetis Bootloader will return an error.

The property tag and the new value to set are the 2 parameters required for the SetProperty command.

Table 13-23. Parameters for SetProperty Command

Byte #	Command
0 - 3	Property tag
4 - 7	Property value

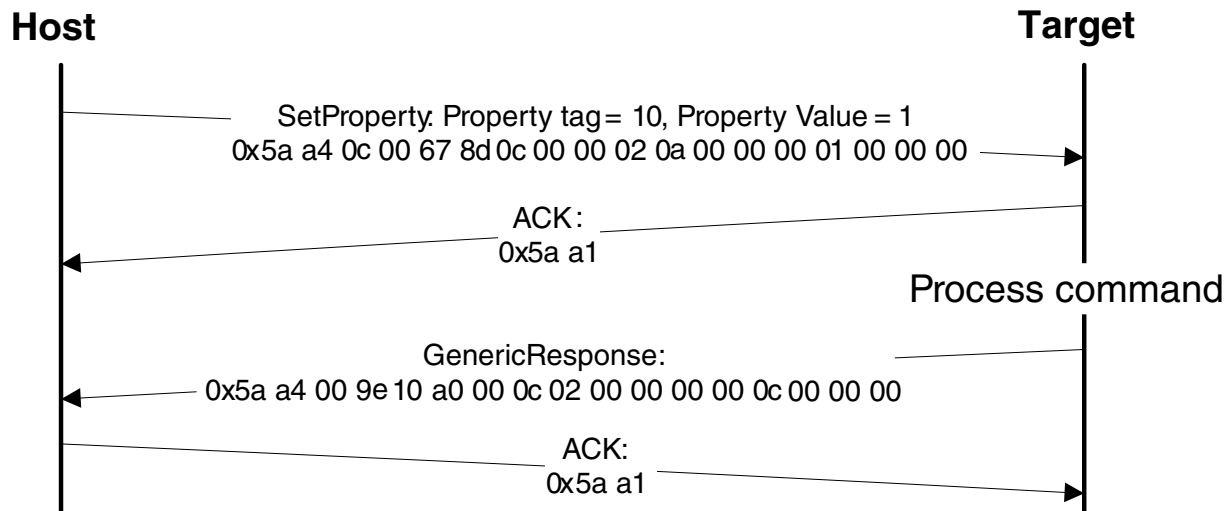


Figure 13-9. Protocol Sequence for SetProperty Command

Table 13-24. SetProperty Command Packet Format (Example)

SetProperty	Parameter	Value
Framing packet	start byte	0x5A
	packetType	0xA4, kFramingPacketType_Command
	length	0x0C 0x00
	crc16	0x67 0x8D
Command packet	commandTag	0x0C – SetProperty with property tag 10
	flags	0x00
	reserved	0x00
	parameterCount	0x02
	propertyTag	0x0000000A - VerifyWrites
	propertyValue	0x00000001

The SetProperty command has no data phase.

Response: The target (Kinetis Bootloader) will return a GenericResponse packet with one of following status codes:

Table 13-25. SetProperty Response Status Codes

Status Code
kStatus_Success
kStatus_ReadOnly
kStatus_UnknownProperty
kStatus_InvalidArgument

13.3.8.5 FlashEraseAll command

The FlashEraseAll command performs an erase of the entire flash memory. If any flash regions are protected, then the FlashEraseAll command will fail and return an error status code. Executing the FlashEraseAll command will release flash security if it (flash security) was enabled, by setting the FTFA_FSEC register. However, the FSEC field of the flash configuration field is erased, so unless it is reprogrammed, the flash security will be re-enabled after the next system reset. The Command tag for FlashEraseAll command is 0x01 set in the commandTag field of the command packet.

The FlashEraseAll command requires no parameters.

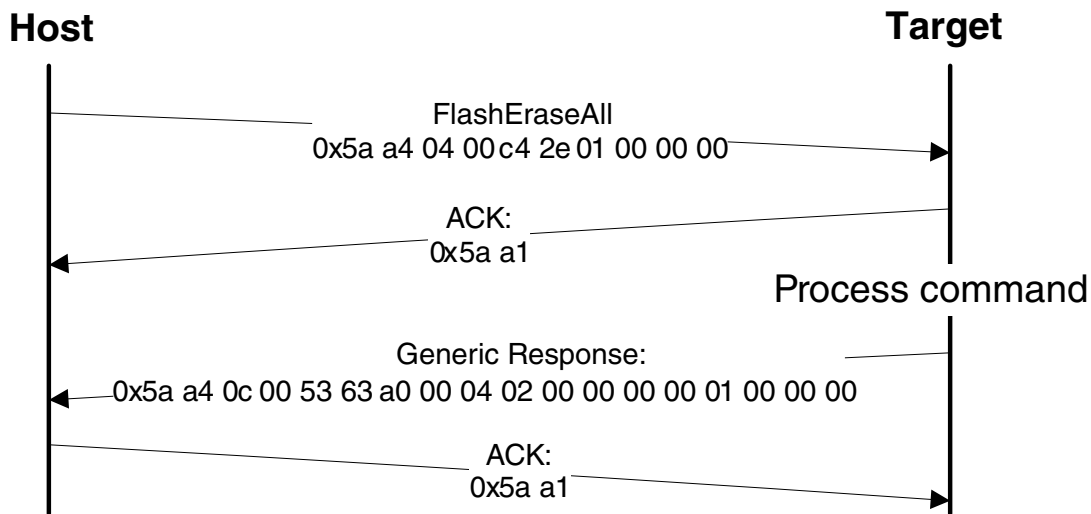


Figure 13-10. Protocol Sequence for FlashEraseAll Command

Table 13-26. FlashEraseAll Command Packet Format (Example)

FlashEraseAll	Parameter	Value
Framing packet	start byte	0x5A
	packetType	0xA4, kFramingPacketType_Command
	length	0x04 0x00
	crc16	0xC4 0x2E
Command packet	commandTag	0x01 - FlashEraseAll
	flags	0x00
	reserved	0x00
	parameterCount	0x00

The FlashEraseAll command has no data phase.

Response: The target (Kinetis Bootloader) will return a GenericResponse packet with status code either set to kStatus_Success for successful execution of the command, or set to an appropriate error status code.

13.3.8.6 FlashEraseRegion command

The FlashEraseRegion command performs an erase of one or more sectors of the flash memory or a specified range of flash within the connected SPI flash devices.

The start address and number of bytes are the 2 parameters required for the FlashEraseRegion command. The start and byte count parameters must be 4-byte aligned ([1:0] = 00), or the FlashEraseRegion command will fail and return kStatus_FlashAlignmentError (0x101). If the region specified does not fit in the flash memory space, the FlashEraseRegion command will fail and return kStatus_FlashAddressError (0x102). If any part of the region specified is protected, the FlashEraseRegion command will fail and return kStatus_MemoryRangeInvalid (0x10200).

Table 13-27. Parameters for FlashEraseRegion Command

Byte #	Parameter
0 - 3	Start address
4 - 7	Byte count

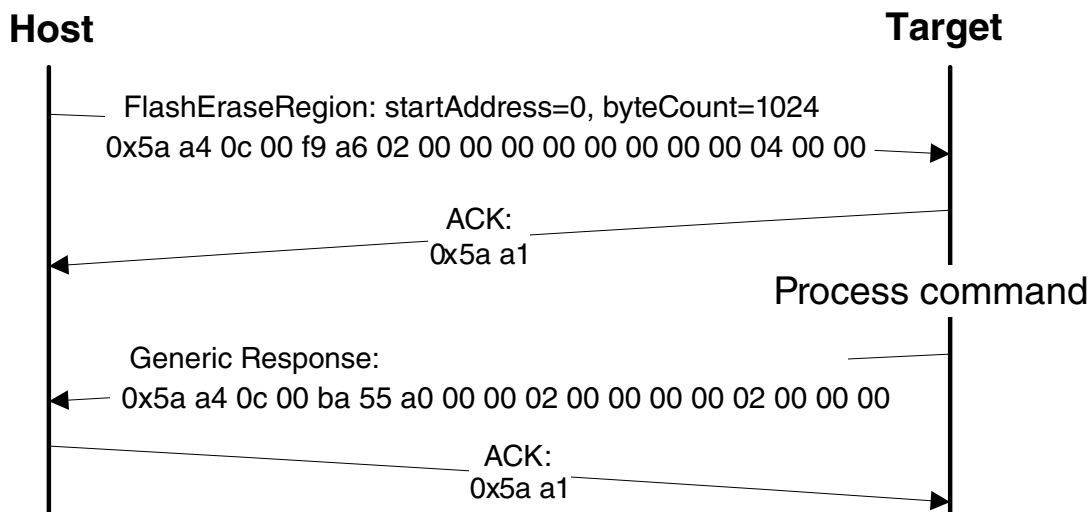


Figure 13-11. Protocol Sequence for FlashEraseRegion Command

Table 13-28. FlashEraseRegion Command Packet Format (Example)

FlashEraseRegion	Parameter	Value
Framing packet	start byte	0x5A
	packetType	0xA4, kFramingPacketType_Command
	length	0x0C 0x00
	crc16	0xF9 0x A6
Command packet	commandTag	0x02, kCommandTag_FlashEraseRegion
	flags	0x00
	reserved	0x00
	parameterCount	0x02
	startAddress	0x00 0x00 0x00 0x00 (0x0000_0000)
	byte count	0x00 0x04 0x00 0x00 (0x400)

The FlashEraseRegion command has no data phase.

Response: The target (Kinetis Bootloader) will return a GenericResponse packet with one of following error status codes.

Table 13-29. FlashEraseRegion Response Status Codes

Status Code
kStatus_Success (0x0)
kStatus_MemoryRangeInvalid (0x10200)
kStatus_FlashAlignmentError (0x101)
kStatus_FlashAddressError (0x102)
kStatus_FlashAccessError (0x103)
kStatus_FlashProtectionViolation (0x104)
kStatus_FlashCommandFailure (0x105)

13.3.8.7 FlashEraseAllUnsecure command

The FlashEraseAllUnsecure command performs a mass erase of the flash memory, including protected sectors. Flash security is immediately disabled if it (flash security) was enabled, and the FSEC byte in the flash configuration field at address 0x40C is programmed to 0xFE. However, if the mass erase enable option in the FSEC field is disabled, then the FlashEraseAllUnsecure command will fail.

The FlashEraseAllUnsecure command requires no parameters.

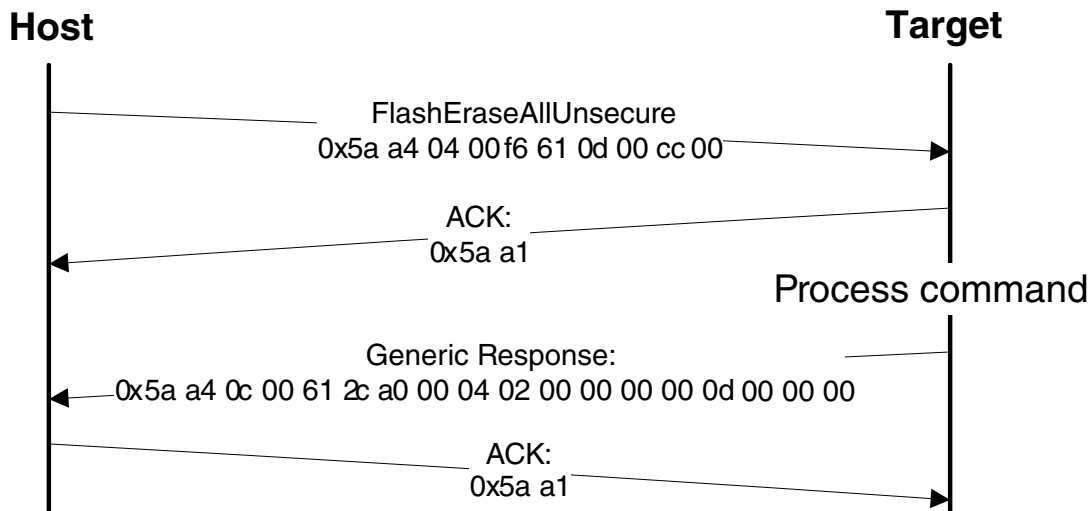


Figure 13-12. Protocol Sequence for FlashEraseAll Command

Table 13-30. FlashEraseAllUnsecure Command Packet Format (Example)

FlashEraseAllUnsecure	Parameter	Value
Framing packet	start byte	0x5A
	packetType	0xA4, kFramingPacketType_Command
	length	0x04 0x00
	crc16	0xF6 0x61
Command packet	commandTag	0x0D - FlashEraseAllUnsecure
	flags	0x00
	reserved	0x00
	parameterCount	0x00

The FlashEraseAllUnsecure command has no data phase.

Response: The target (Kinetis Bootloader) will return a GenericResponse packet with status code either set to kStatus_Success for successful execution of the command, or set to an appropriate error status code.

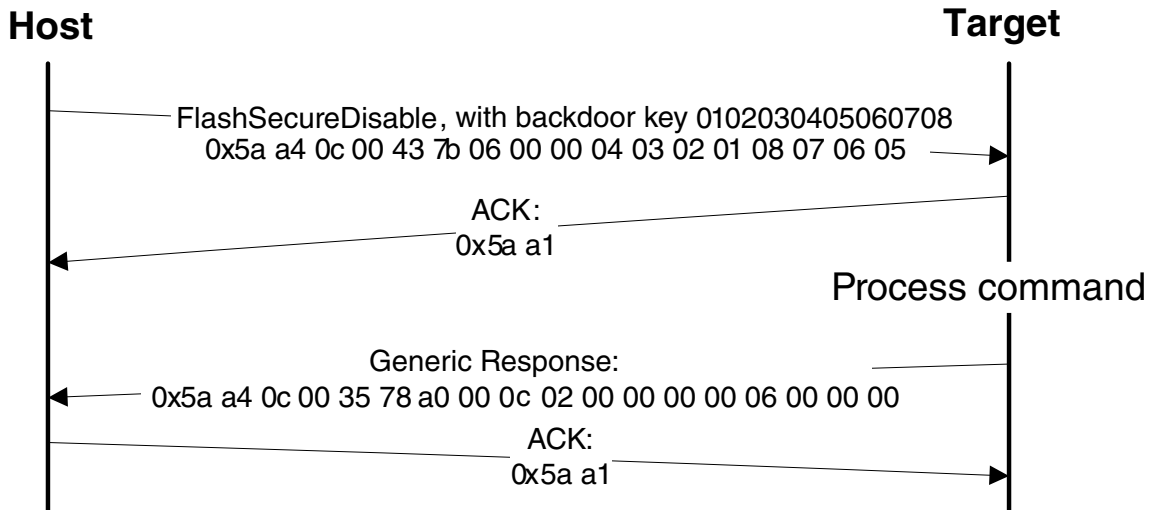
13.3.8.8 FlashSecurityDisable command

The FlashSecurityDisable command performs the flash security disable operation, by comparing the 8-byte backdoor key (provided in the command) against the backdoor key stored in the flash configuration field (at address 0x400 in the flash).

The backdoor low and high words are the only parameters required for FlashSecurityDisable command.

Table 13-31. Parameters for FlashSecurityDisable Command

Byte #	Command
0 - 3	Backdoor key low word
4 - 7	Backdoor key high word

**Figure 13-13. Protocol Sequence for FlashSecurityDisable Command****Table 13-32. FlashSecurityDisable Command Packet Format (Example)**

FlashSecurityDisable	Parameter	Value
Framing packet	start byte	0x5A
	packetType	0xA4, kFramingPacketType_Command
	length	0x0C 0x00
	crc16	0x43 0x7B
Command packet	commandTag	0x06 - FlashSecurityDisable
	flags	0x00
	reserved	0x00
	parameterCount	0x02
	Backdoorkey_low	0x04 0x03 0x02 0x01
	Backdoorkey_high	0x08 0x07 0x06 0x05

The FlashSecurityDisable command has no data phase.

Response: The target (Kinetis Bootloader) will return a GenericResponse packet with a status code either set to kStatus_Success upon successful execution of the command, or set to an appropriate error status code.

13.3.8.9 WriteMemory command

The WriteMemory command writes data provided in the data phase to a specified range of bytes in memory (flash or RAM). However, if flash protection is enabled, then writes to protected sectors will fail.

Special care must be taken when writing to flash.

- First, any flash sector written to must have been previously erased with a FlashEraseAll, FlashEraseRegion, or FlashEraseAllUnsecure command.
- Writing to flash requires the start address to be 4-byte aligned ([1:0] = 00).
- The byte count will be rounded up to a multiple of 4, and the trailing bytes will be filled with the flash erase pattern (0xff).
- If the VerifyWrites property is set to true, then writes to flash will also perform a flash verify program operation.

When writing to RAM, the start address need not be aligned, and the data will not be padded.

The start address and number of bytes are the 2 parameters required for WriteMemory command.

Table 13-33. Parameters for WriteMemory Command

Byte #	Command
0 - 3	Start address
4 - 7	Byte count

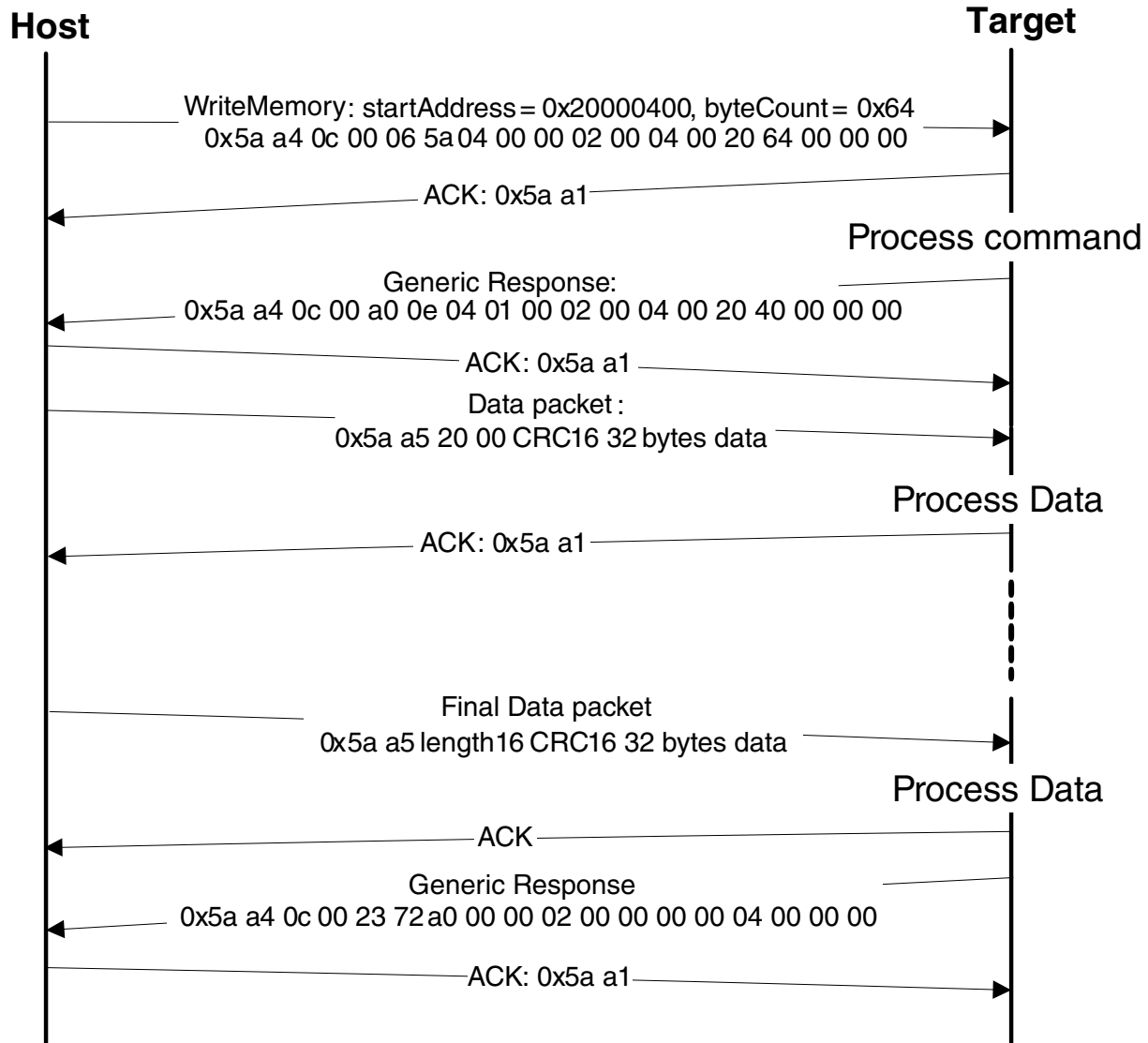


Figure 13-14. Protocol Sequence for WriteMemory Command

Table 13-34. WriteMemory Command Packet Format (Example)

WriteMemory	Parameter	Value
Framing packet	start byte	0x5A
	packetType	0xA4, kFramingPacketType_Command
	length	0x0C 0x00
	crc16	0x06 0x5A
Command packet	commandTag	0x04 - writeMemory
	flags	0x00
	reserved	0x00
	parameterCount	0x02
	startAddress	0x20000400
	byteCount	0x00000064

Data Phase: The WriteMemory command has a data phase; the host will send data packets until the number of bytes of data specified in the byteCount parameter of the WriteMemory command are received by the target.

Response: The target (Kinetis Bootloader) will return a GenericResponse packet with a status code set to kStatus_Success upon successful execution of the command, or to an appropriate error status code.

13.3.8.10 Read memory command

The ReadMemory command returns the contents of memory at the given address, for a specified number of bytes. This command can read any region of memory accessible by the CPU and not protected by security.

The start address and number of bytes are the 2 parameters required for ReadMemory command.

Table 13-35. Parameters for read memory command

Byte	Parameter	Description
0-3	Start address	Start address of memory to read from
4-7	Byte count	Number of bytes to read and return to caller

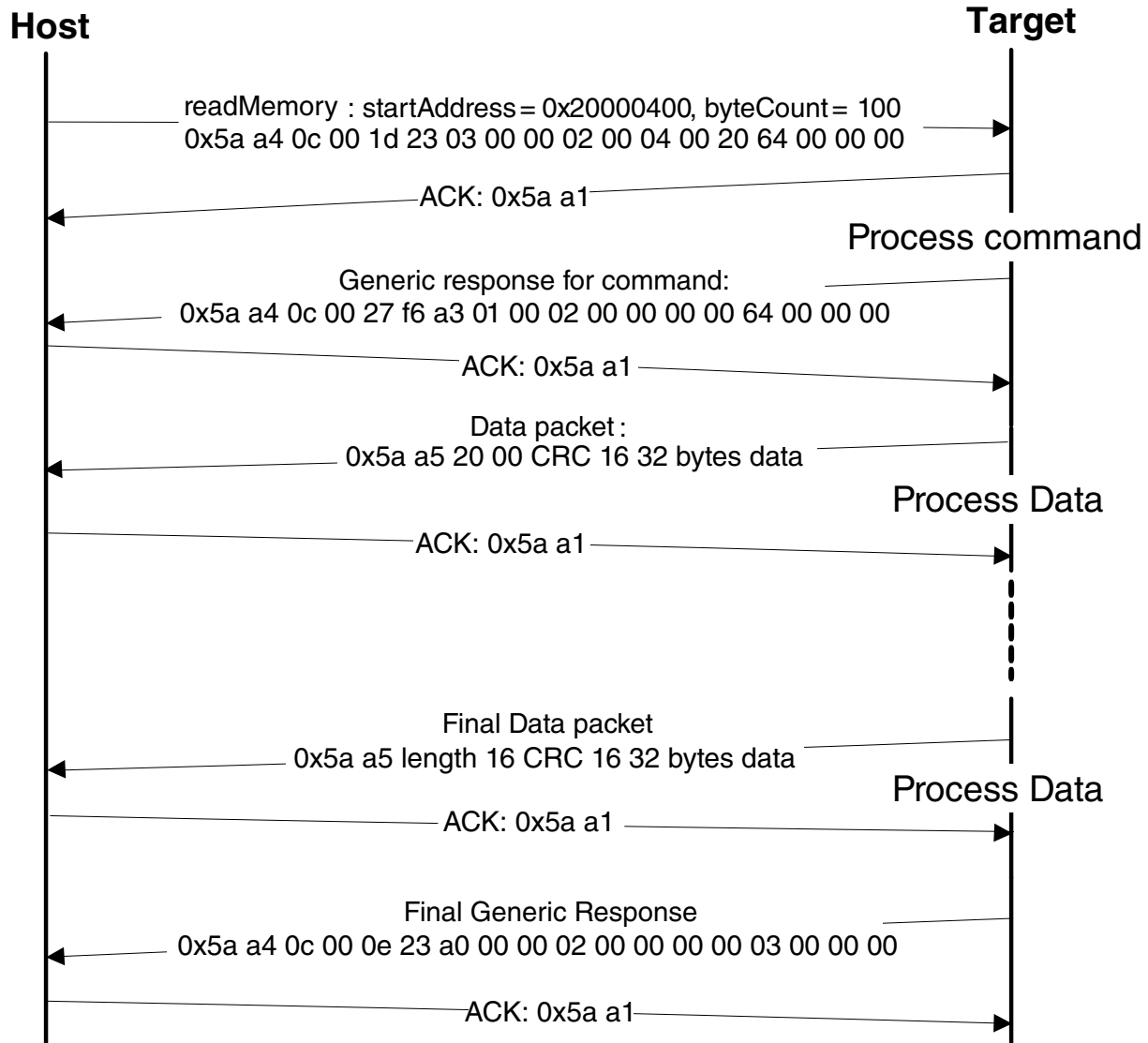


Figure 13-15. Command sequence for read memory

ReadMemory	Parameter	Value
Framing packet	Start byte	0x5A0xA4,
	packetType	kFramingPacketType_Command
	length	0x0C 0x00
	crc16	0x1D 0x23
Command packet	commandTag	0x03 - readMemory
	flags	0x00
	reserved	0x00
	parameterCount	0x02
	startAddress	0x20000400
	byteCount	0x00000064

Data Phase: The ReadMemory command has a data phase. Since the target (Kinetis Bootloader) works in slave mode, the host need pull data packets until the number of bytes of data specified in the byteCount parameter of ReadMemory command are received by host.

Response: The target (Kinetis Bootloader) will return a GenericResponse packet with a status code either set to kStatus_Success upon successful execution of the command, or set to an appropriate error status code.

13.3.9 Bootloader Exit state

The Kinetis Bootloader tries to reconfigure the system back to the reset state in the following situations:

- After completion of an Execute command, but before jumping to the specified entry point.
- After a peripheral detection timeout, but before jumping to the application entry point.

In general, all peripherals are reset. However, the application must consider the following exceptions:

- I2C and SPI are restored by writing the control registers to reset values.
- LPUART is not restored.
- Peripheral pin mux is not reset to default, see the pin mux table (Kinetis Bootloader Peripheral Pinmux).

Additional considerations:

- If VLPR mode is active during a system boot, then the bootloader will exit VLPR mode on entry (to bootloader operation), and VLPR mode will not be restored after exiting from the bootloader.
- If high speed clocking is selected in the Bootloader Configuration Area, then high speed clocks will be retained after exiting from the bootloader.
- Upon exit from the bootloader, the bootloader leaves global interrupts disabled and restores the VTOR register to its default value (0x0).

NOTE

PORT clock gate, pin mux and peripheral registers are not reset to default values on bootloader exit.

- Affected PORT clock gates: PORTA, PORTB, PORTC, PORTD and PORTE(SIM_SCGC5_PORTA, SIM_SCGC5_PORTB, SIM_SCGC5_PORTC, SIM_SCGC5_PORTD and SIM_SCGC5_PORTE are enabled)

- Affected pin mux:
 - LPUART0(PTA1, PTA2)
 - I2C0(PTB0, PTB1)
 - SPI0(PTC4, PTC5, PTC6, PTC7)
- Affected peripheral registers:
 - LPUART and LPUART clock source (SIM_SOPT2_PLLFLLSEL = 3)
 - SPI
 - I2C

You must re-configure the corresponding register to the expected value, instead of relying on the default value.

13.4 Peripherals Supported

This section describes the peripherals supported by the Kinetis ROM Bootloader. To use an interface for bootloader communications, the peripheral must be enabled in the BCA, as shown in [Table 13-3](#). If the BCA is invalid (such as all 0xFF bytes), then all peripherals will be enabled by default.

13.4.1 I2C Peripheral

The Kinetis Bootloader in ROM supports loading data into flash via the I2C peripheral, where the I2C peripheral serves as the I2C slave. A 7-bit slave address is used during the transfer.

Customizing an I2C slave address is also supported. This feature is enabled if the Bootloader Configuration Area (BCA) (shown in [Table 13-3](#)) is enabled (tag field is filled with 'kcfg') and the `i2cSlaveAddress` field is filled with a value other than 0xFF. 0x10 is used as the default I2C slave address.

The maximum supported I2C baud rate depends on corresponding clock configuration field in the BCA. Typical supported baud rate is 400 kbps with factory settings. Actual supported baud rate may be lower or higher than 400 kbps, depending on the actual value of the `clockFlags` and the `clockDivider` fields.

Because the I2C peripheral serves as an I2C slave device, each transfer should be started by the host, and each outgoing packet should be fetched by the host.

- An incoming packet is sent by the host with a selected I2C slave address and the direction bit is set as write.

- An outgoing packet is read by the host with a selected I2C slave address and the direction bit is set as read.
- 0x00 will be sent as the response to host if the target is busy with processing or preparing data.

The following flow charts demonstrate the communication flow of how the host reads ping packet, ACK and response from the target.

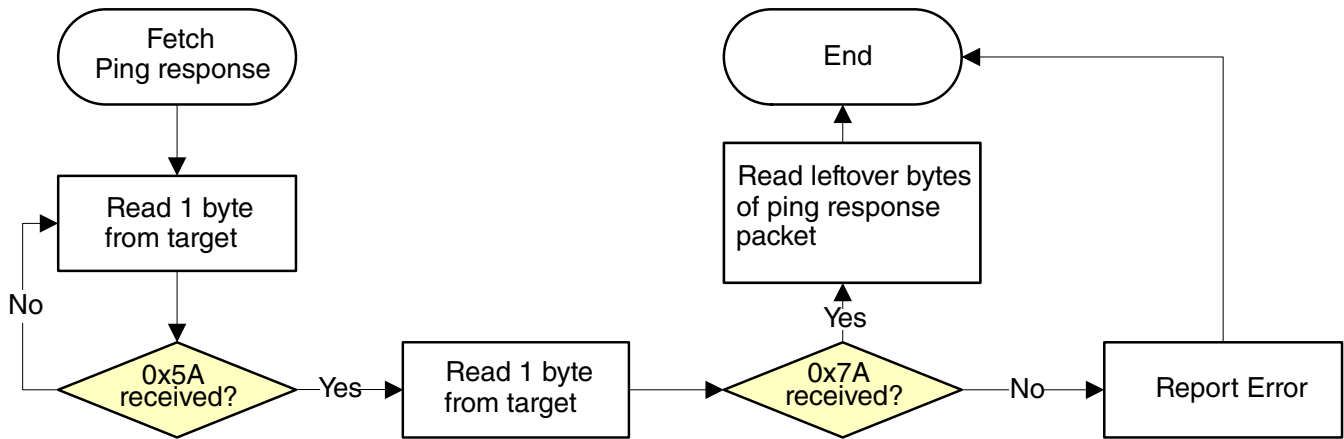


Figure 13-16. Host reads ping response from target via I2C

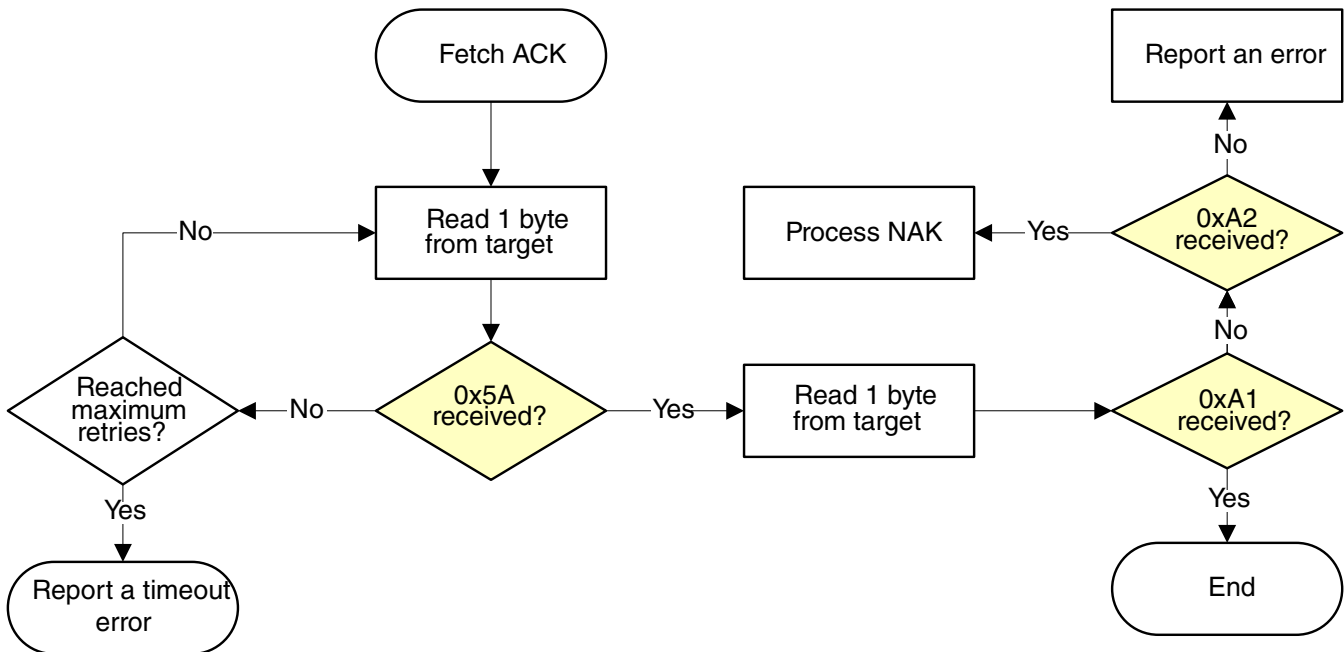


Figure 13-17. Host reads ACK packet from target via I2C

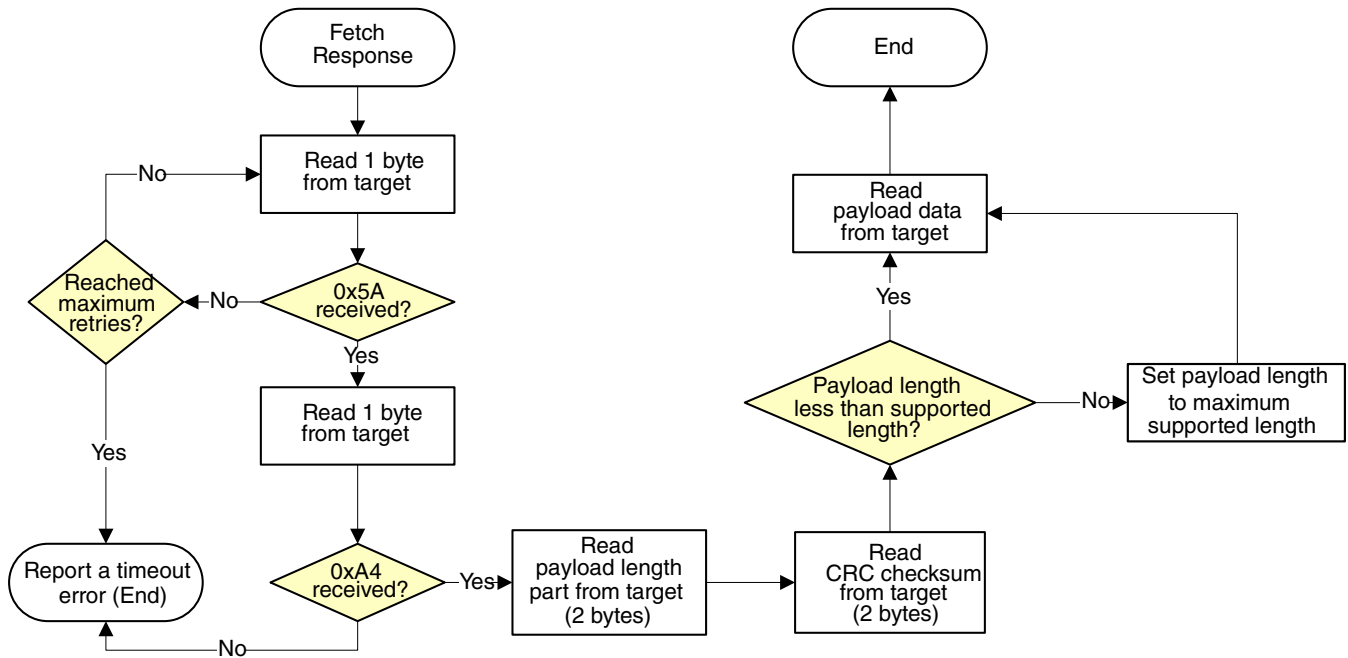


Figure 13-18. Host reads response from target via I2C

13.4.2 SPI Peripheral

The Kinetis Bootloader in KLx3 ROM supports loading data into flash via the SPI peripheral, where the SPI peripheral serves as a SPI slave.

Maximum supported baud rate of SPI depends on the clock configuration fields in the Bootloader Configuration Area (BCA) shown in [Table 13-3](#). The typical supported baud rate is 400 kbps with the factory settings. The actual baud rate is lower or higher than 400 kbps, depending on the actual value of the clockFlags and clockDivider fields in the BCA.

The SPI peripheral uses the following bus attributes:

- Clock Phase = 1 (Second Edge)
- Clock Polarity = 1 (Active Low)

Because the SPI peripheral in KLx3 ROM serves as a SPI slave device, each transfer should be started by the host, and each outgoing packet should be fetched by the host.

The transfer on SPI is slightly different from I2C:

- Host will receive 1 byte after it sends out any byte.
- Received bytes should be ignored when host is sending out bytes to target
- Host starts reading bytes by sending 0x00s to target
- The byte 0x00 will be sent as response to host if target is under the following conditions:

Peripherals Supported

- Processing incoming packet
- Preparing outgoing data
- Received invalid data

The SPI bus configuration is:

- Phase = 1; data is sampled on rising edges
- Polarity = 1; idle is high
- MSB is transmitted first

For any transfer where the target does not have actual data to send, the target (slave) is responsible for ensuring that 0x00 bytes will be returned to the host (master). The host uses framing packets to identify real data and not "dummy" 0x00 bytes (which do not have framing packets).

The following flowcharts demonstrate how the host reads a ping response, an ACK and a command response from target via SPI.

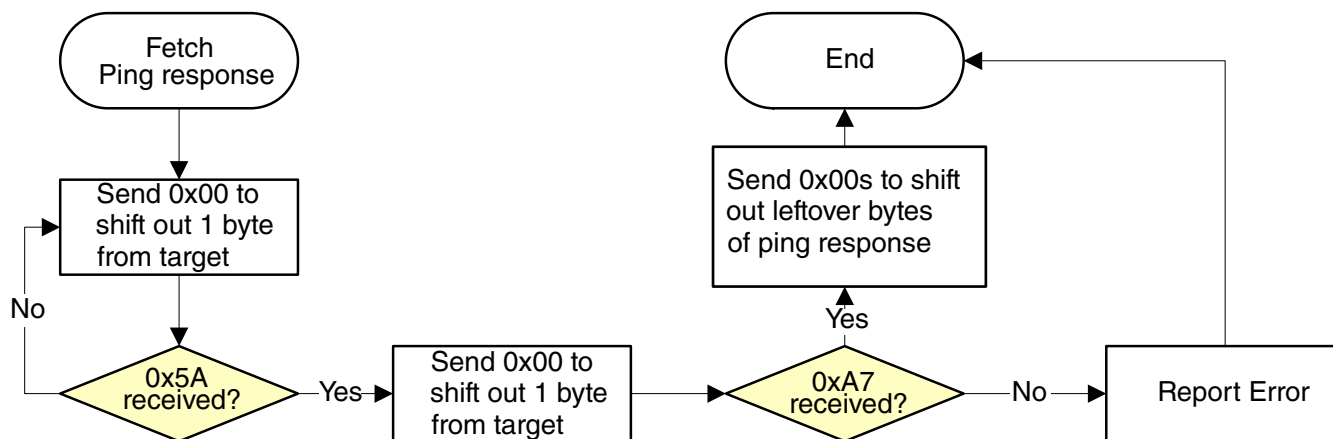


Figure 13-19. Host reads ping packet from target via SPI

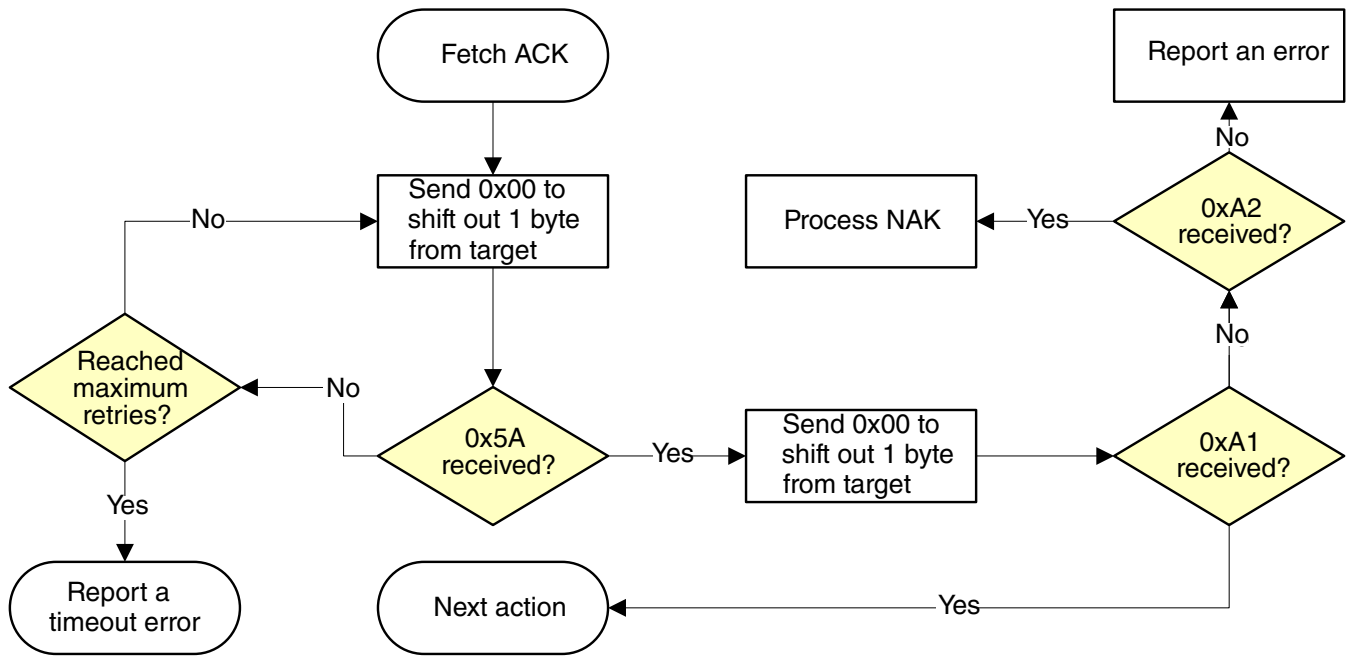


Figure 13-20. Host reads ACK from target via SPI

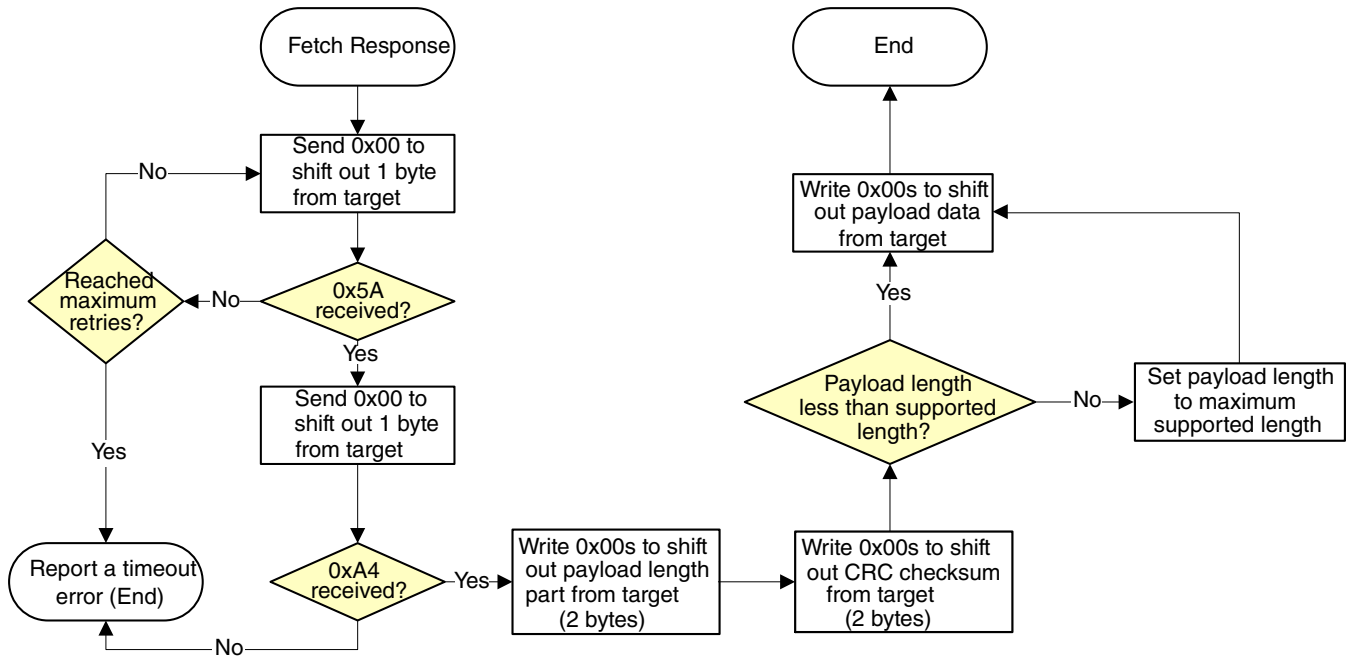


Figure 13-21. Host reads response from target via SPI

13.4.3 USB peripheral

The Kinetis Bootloader in the ROM supports loading data into flash via the USB peripheral. The target is implemented as a USB HID class.

USB HID does not use framing packets; instead the packetization inherent in the USB protocol itself is used. The ability for the device to NAK Out transfers (until they can be received) provides the required flow control; the built-in CRC of each USB packet provides the required error detection.

13.4.3.1 Clock configuration

The KLx3 ROM supports the crystal-less USB feature. If the USB peripheral is enabled, then the ROM enables the 48-MHz HIRC. The ROM also enables the USB clock recovery feature (by setting `USB_CLK_RECOVER_CTRL[CLOCK_RECOVER_EN]` to 1 and `USB_CLK_RECOVER_IRC_EN[IRC_EN]` to 1).

13.4.3.2 Device descriptor

The Kinetis ROM configures the default USB VID/PID/Strings as below:

Default VID/PID:

- VID = 0x15A2
- PID = 0x0073

Default Strings:

- Manufacturer [1] = "Freescale Semiconductor Inc." (Note that Freescale Semiconductor is now NXP Semiconductors.)
- Product [2] = "Kinetis Bootloader"

You can customize the USB VID/PID/Strings with the Bootloader Configuration Area (BCA) of the flash. See [Table 13-3](#). For example, the USB VID and PID can be customized by writing the new VID to the `usbVid(BCA + 0x14)` field and the new PID to the `usbPid(BCA + 0x16)` field of the BCA in flash. To change the USB strings, you need to prepare a structure (like the one shown below) in the flash, and then write the address of the `g_languages` structure to the `usbStringsPointer(BCA + 0x18)` field of the BCA.

```
g_languages = { USB_STR_0,
sizeof(USB_STR_0),
(uint_16)0x0409,
(const uint_8 **)g_string_descriptors,
g_string_desc_size};
the USB_STR_0, g_string_descriptors and g_string_desc_size are defined as below.
USB_STR_0[4] = {0x02,
0x03,
0x09,
0x04
};
g_string_descriptors[4] =
{ USB_STR_0,
```

```

USB_STR_1,
USB_STR_2,
USB_STR_3};
g_string_desc_size[4] =
{ sizeof(USB_STR_0),
  sizeof(USB_STR_1),
  sizeof(USB_STR_2),
  sizeof(USB_STR_3)};

```

You can make your own structure of USB_STR_1, USB_STR_2, USB_STR_3:

- USB_STR_1 is used for the manufacturer string.
- USB_STR_2 is used for the product string.
- USB_STR_3 is used for the serial number string.

By default, the 3 strings are defined as below:

```

USB_STR_1[] =
{ sizeof(USB_STR_1),
  USB_STRING_DESCRIPTOR,
  'F',0,
  'r',0,
  'e',0,
  'e',0,
  's',0,
  'c',0,
  'a',0,
  'l',0,
  'e',0,
  ' ',0,
  'S',0,
  'e',0,
  'm',0,
  'i',0,
  'c',0,
  'o',0,
  'n',0,
  'd',0,
  'u',0,
  'c',0,
  't',0,
  'o',0,
  'r',0,
  ' ',0,
  'I',0,
  'n',0,
  'c',0,
  '.',0,
  };

USB_STR_2[] =
{ sizeof(USB_STR_2),
  USB_STRING_DESCRIPTOR,
  'M',0,
  'K',0,
  ' ',0,
  'M',0,
  'a',0,
  's',0,
  's',0,
  ' ',0,
  'S',0,
  't',0,
  'o',0,
  'r',0,

```

Peripherals Supported

```
'a',0,  
'g',0,  
'e',0  
};  
  
USB_STR_3[] =  
{ sizeof(USB_STR_3),  
  USB_STRING_DESCRIPTOR,  
  '0',0,  
  '1',0,  
  '2',0,  
  '3',0,  
  '4',0,  
  '5',0,  
  '6',0,  
  '7',0,  
  '8',0,  
  '9',0,  
  'A',0,  
  'B',0,  
  'C',0,  
  'D',0,  
  'E',0,  
  'F',0  
};
```

13.4.3.3 Endpoints

The HID peripheral uses 3 endpoints:

- Control (0)
- Interrupt IN (1)
- Interrupt OUT (2)

The Interrupt OUT endpoint is optional for HID class devices, but the Kinetis Bootloader uses it as a pipe, where the firmware can NAK send requests from the USB host.

13.4.3.4 HID reports

There are 4 HID reports defined and used by the bootloader USB HID peripheral. The report ID determines the direction and type of packet sent in the report; otherwise, the contents of all reports are the same.

Report ID	Packet Type	Direction
1	Command	OUT
2	Data	OUT
3	Command	IN
4	Data	IN

For all reports, these properties apply:

Usage Min	1
Usage Max	1
Logical Min	0
Logical Max	255
Report Size	8
Report Count	34

Each report has a maximum size of 34 bytes. This is derived from the minimum bootloader packet size of 32 bytes, plus a 2-byte report header that indicates the length (in bytes) of the packet sent in the report.

NOTE

In the future, the maximum report size may be increased, to support transfers of larger packets. Alternatively, additional reports may be added with larger maximum sizes.

The actual data sent in all of the reports looks like:

0	Report ID
1	Packet Length LSB
2	Packet Length MSB
3	Packet[0]
4	Packet[1]
5	Packet[2]
	...
N+3-1	Packet[N-1]

This data includes the Report ID, which is required if more than one report is defined in the HID report descriptor. The actual data sent and received has a maximum length of 35 bytes. The Packet Length header is written in little-endian format, and it is set to the size (in bytes) of the packet sent in the report. This size does not include the Report ID or the Packet Length header itself. During a data phase, a packet size of 0 indicates a data phase abort request from the receiver.

13.5 Get/SetProperty Command Properties

This section lists the properties of the GetProperty and SetProperty commands.

Table 13-36. Properties used by Get/SetProperty Commands, sorted by Value

Property	Writable	Tag Value	Size	Description
CurrentVersion	No	01h	4	Current bootloader version.
AvailablePeripherals	No	02h	4	The set of peripherals supported on this chip.
FlashStartAddress	No	03h	4	Start address of program flash.
FlashSizeInBytes	No	04h	4	Size in bytes of program flash.
FlashSectorSize	No	05h	4	The size in bytes of one sector of program flash. This is the minimum erase size.
FlashBlockCount	No	06h	4	Number of blocks in the flash array.
AvailableCommands	No	07h	4	The set of commands supported by the bootloader.
VerifyWrites	Yes	0Ah	4	Controls whether the bootloader will verify writes to flash. VerifyWrites feature is enabled by default. 0 - No verification is done. 1 - Enable verification.
MaxPacketSize	No	0Bh	4	Maximum supported packet size for the currently active peripheral interface.
ReservedRegions	No	0Ch	16	List of memory regions reserved by the bootloader. Returned as value pairs (<start-address-of-region>, <end-address-of-region>). <ul style="list-style-type: none"> If HasDataPhase flag is not set, then the Response packet parameter count indicates the number of pairs. If HasDataPhase flag is set, then the second parameter is the number of bytes in the data phase.
ValidateRegions	Yes	0Dh	4	Controls whether the bootloader will validate attempts to write to memory regions (i.e., check if they are reserved before attempting to write). ValidateRegions feature is enabled by default. 0 - No validation is done 1 - Enable validation
RAMStartAddress	No	0Eh	4	Start address of RAM
RAMSizeInBytes	No	0Fh	4	Size in bytes of RAM
SystemDeviceId	No	10h	4	Value of the Kinetis System Device Identification register.
FlashSecurityState	No	11h	4	Indicates whether Flash security is enabled 0 - Flash security is disabled 1 - Flash security is enabled

13.5.1 Property Definitions

Get/Set property definitions are provided in this section.

13.5.1.1 CurrentVersion Property

The value of this property is a 4-byte structure containing the current version of the bootloader.

Table 13-37. Fields of CurrentVersion property:

Bits	[31:24]	[23:16]	[15:8]	[7:0]
Field	Name = 'K' (0x4B)	Major version	Minor version	Bugfix version

13.5.1.2 AvailablePeripherals Property

The value of this property is a bitfield that lists the peripherals supported by the bootloader and the hardware on which it is running.

Table 13-38. Peripheral bits:

Bit	[31:7]	[6]	[5]	[4]	[3]	[2]	[1]	[0]
Peripheral	Reserved	USB DFU	USB CDC	USB HID	Reserved	SPI Slave	I2C Slave	LPUART

If the peripheral is available, then the corresponding bit will be set in the property value. All reserved bits must be set to 0.

13.5.1.3 AvailableCommands Property

This property value is a bitfield with set bits indicating the commands enabled in the bootloader. Only commands that can be sent from the host to the target are listed in the bitfield. Response commands such as GenericResponse are excluded.

The bit number that identifies whether a command is present is the command's tag value minus 1. 1 is subtracted from the command tag because the lowest command tag value is 0x01. To get the bit mask for a given command, use this expression:

```
mask = 1 << (tag - 1)
```

Table 13-39. Command bits:

Bit	[31: 17]	[16]	[15]	[14]	[13]	[12]	[11]	[10]	[9]	[8]	[7]	[6]	[5]	[4]	[3]	[2]	[1]	[0]

Table continues on the next page...

Table 13-39. Command bits: (continued)

Command	Reserved	Reserved	Reserved	Reserved	Reserved	FlashEraseAllUnsecure	SetProperty	Reset	Call	Execute	Reserved	GetProperty	FlashSecurityDisable	FillMemory	WriteMemory	ReadMemory	FlashEraseRegion	FlashEraseAll
---------	----------	----------	----------	----------	----------	-----------------------	-------------	-------	------	---------	----------	-------------	----------------------	------------	-------------	------------	------------------	---------------

13.6 Kinetis Bootloader Status Error Codes

This section describes the status error codes that the Kinetis Bootloader returns to the host.

Table 13-40. Kinetis Bootloader Status Error Codes, sorted by Value

Error Code	Value	Description
kStatus_Success	0	Operation succeeded without error.
kStatus_Fail	1	Operation failed with a generic error.
kStatus_ReadOnly	2	Requested value cannot be changed because it is read-only.
kStatus_OutOfRange	3	Requested value is out of range.
kStatus_InvalidArgument	4	The requested command's argument is undefined.
kStatus_Timeout	5	A timeout occurred.
kStatus_FlashSizeError	100	Not used.
kStatus_FlashAlignmentError	101	Address or length does not meet required alignment.
kStatus_FlashAddressError	102	Address or length is outside addressable memory.
kStatus_FlashAccessError	103	The FTFA_FSTAT[ACCERR] bit is set.
kStatus_FlashProtectionViolation	104	The FTFA_FSTAT[FPVIOL] bit is set.
kStatus_FlashCommandFailure	105	The FTFA_FSTAT[MGSTAT0] bit is set.
kStatus_FlashUnknownProperty	106	Unknown Flash property.
kStatus_FlashEraseKeyError	107	The key provided does not match the programmed flash key.
kStatus_FlashRegionExecuteOnly	108	The area of flash is protected as execute only.
kStatus_I2C_SlaveTxUnderrun	200	I2C Slave TX Underrun error.
kStatus_I2C_SlaveRxOverrun	201	I2C Slave RX Overrun error.
kStatus_I2C_ArbitrationLost	202	I2C Arbitration Lost error.
kStatus_SPI_SlaveTxUnderrun	300	SPI Slave TX Underrun error.
kStatus_SPI_SlaveRxOverrun	301	SPI Slave RX Overrun error.
kStatus_SPI_Timeout	302	SPI transfer timed out.
kStatus_SPI_Busy	303	SPI instance is already busy performing a transfer.
kStatus_SPI_NoTransferInProgress	304	Attempt to abort a transfer when no transfer was in progress.

Table continues on the next page...

Table 13-40. Kinetis Bootloader Status Error Codes, sorted by Value (continued)

Error Code	Value	Description
kStatus_UnknownCommand	10000	The requested command value is undefined.
kStatus_SecurityViolation	10001	Command is disallowed because flash security is enabled.
kStatus_AbortDataPhase	10002	Abort the data phase early.
kStatus_Ping	10003	Internal: received ping during command phase.
kStatusRomLdrSectionOverrun	10100	The loader has finished processing the SB file.
kStatusRomLdrSignature	10101	The signature of the SB file is incorrect.
kStatusRomLdrSectionLength	10102	The section length in chunks is invalid.
kStatusRomLdrUnencryptedOnly	10103	An encrypted SB file has been sent and decryption support is not available.
kStatusRomLdrEOFReached	10104	The end of the SB file has been reached.
kStatusRomLdrChecksum	10105	The checksum of a command tag block is invalid.
kStatusRomLdrCrc32Error	10106	The CRC-32 of the data for a load command is incorrect.
kStatusRomLdrUnknownCommand	10107	An unknown command was found in the SB file.
kStatusRomLdrIdNotFound	10108	There was no bootable section found in the SB file.
kStatusRomLdrDataUnderrun	10109	The SB state machine is waiting for more data.
kStatusRomLdrJumpReturned	10110	The function that was jumped to by the SB file has returned.
kStatusRomLdrCallFailed	10111	The call command in the SB file failed.
kStatusRomLdrKeyNotFound	10112	A matching key was not found in the SB file's key dictionary to unencrypt the section.
kStatusRomLdrSecureOnly	10113	The SB file sent is unencrypted and security on the target is enabled.
kStatusRomLdrResetReturned	10114	The SB file reset operation has unexpectedly returned.
kStatusMemoryRangeInvalid	10200	Memory range conflicts with a protected region.
kStatus_UnknownProperty	10300	The requested property value is undefined.
kStatus_ReadOnlyProperty	10301	The requested property value cannot be written.
kStatus_InvalidPropertyValue	10302	The specified property value is invalid.
kStatus_AppCrcCheckPassed	10400	CRC check is valid and passed.
kStatus_AppCrcCheckFailed	10401	CRC check is valid but failed.
kStatus_AppCrcCheckInactive	10402	CRC check is inactive.
kStatus_AppCrcCheckInvalid	10403	CRC check is invalid, because the BCA is invalid or the CRC parameters are unset (all 0xFF bytes).
kStatus_AppCrcCheckOutOfRange	10404	CRC check is valid but addresses are out of range.

13.7 Bootloader errata

The bootloader has the following errata:

1. PORT clock gate, pin mux and peripheral registers are not reset to default values on ROM exit

Description

- Affected PORT clock gates: PORTA, PORTB, PORTC, PORTD and PORTE (SIM_SCGC5_PORTA, SIM_SCGC5_PORTB, SIM_SCGC5_PORTC, SIM_SCGC5_PORTD and SIM_SCGC5_PORTE are enabled)
- Affected pin mux: LPUART0(PTA1, PTA2), I2C0(PTB0,PTB1), SPI0(PTC4,PTC5,PTC6,PTC7)
- Affected peripheral registers:
 - UART and UART clock source (SIM_SOPT2_UART0SRC = 3)
 - SPI
 - I2C

Workaround

- User must re-configure corresponding register to expected value instead of relying on the default value.
2. UART cannot work at 57600 baudrate with default core clock

Workaround

- Send ping packet bytes continuously without delay
 - Limit highest UART clock frequency to 38400 at default clock (8 MHz)
 - To improve UART throughput, configure the core clock to higher frequency
3. COP is disabled in ROM and it cannot be re-enabled by an application that is jumped-to from ROM

Description

- SIM_COPC register is write once when out of reset, it is disabled in ROM
- User application cannot re-enable it if application is run by jumping from ROM

Workaround

- Set FOPT[BOOTSRC_SEL] = 00b, FOPT[BOOTPIN_OPT]= 0b
- With above settings, boot source of chip is selected by assertion of NMI pin; if NMI pin is not asserted during POR reset / Chip reset, chip will boot from flash and COP can be enabled.

Chapter 14

System Mode Controller (SMC)

14.1 Chip-specific SMC information

This device does not support VLLS2 power mode. Ignore the VLLS2 in the following sections.

14.2 Introduction

The System Mode Controller (SMC) is responsible for sequencing the system into and out of all low-power Stop and Run modes.

Specifically, it monitors events to trigger transitions between power modes while controlling the power, clocks, and memories of the system to achieve the power consumption and functionality of that mode.

This chapter describes all the available low-power modes, the sequence followed to enter/exit each mode, and the functionality available while in each of the modes.

The SMC is able to function during even the deepest low power modes.

See [AN4503: Power Management for Kinetis MCUs](#) for further details on using the SMC.

14.3 Modes of operation

The Arm CPU has three primary modes of operation:

- Run
- Sleep
- Deep Sleep

Modes of operation

The WFI or WFE instruction is used to invoke Sleep and Deep Sleep modes. Run, Wait, and Stop are the common terms used for the primary operating modes of Kinetis microcontrollers.

The following table shows the translation between the Arm CPU modes and the Kinetis MCU power modes.

Arm CPU mode	MCU mode
Sleep	Wait
Deep Sleep	Stop

Accordingly, the Arm CPU documentation refers to sleep and deep sleep, while the Kinetis MCU documentation normally uses wait and stop.

In addition, Kinetis MCUs also augment Stop, Wait, and Run modes in a number of ways. The power management controller (PMC) contains a run and a stop mode regulator. Run regulation is used in normal run, wait and stop modes. Stop mode regulation is used during all very low power and low leakage modes. During stop mode regulation, the bus frequencies are limited in the very low power modes.

The SMC provides the user with multiple power options. The Very Low Power Run (VLPR) mode can drastically reduce run time power when maximum bus frequency is not required to handle the application needs. From Normal Run mode, the Run Mode (RUNM) field can be modified to change the MCU into VLPR mode when limited frequency is sufficient for the application. From VLPR mode, a corresponding wait (VLPW) and stop (VLPS) mode can be entered.

Depending on the needs of the user application, a variety of stop modes are available that allow the state retention, partial power down or full power down of certain logic and/or memory. I/O states are held in all modes of operation. Several registers are used to configure the various modes of operation for the device.

The following table describes the power modes available for the device.

Table 14-1. Power modes

Mode	Description
RUN	The MCU can be run at full speed and the internal supply is fully regulated, that is, in run regulation. This mode is also referred to as Normal Run mode.
WAIT	The core clock is gated off. The system clock continues to operate. Bus clocks, if enabled, continue to operate. Run regulation is maintained.
STOP	The core clock is gated off. System clocks to other masters and bus clocks are gated off after all stop acknowledge signals from supporting peripherals are valid.
VLPR	The core, system, bus, and flash clock maximum frequencies are restricted in this mode. See the Power Management chapter for details about the maximum allowable frequencies.

Table continues on the next page...

Table 14-1. Power modes (continued)

Mode	Description
VLPW	The core clock is gated off. The system, bus, and flash clocks continue to operate, although their maximum frequency is restricted. See the Power Management chapter for details on the maximum allowable frequencies.
VLPS	The core clock is gated off. System clocks to other masters and bus clocks are gated off after all stop acknowledge signals from supporting peripherals are valid.
LLS	The core clock is gated off. System clocks to other masters and bus clocks are gated off after all stop acknowledge signals from supporting peripherals are valid. The MCU is placed in a low leakage mode by reducing the voltage to internal logic. All system RAM contents, internal logic and I/O states are retained.
VLLS3	The core clock is gated off. System clocks to other masters and bus clocks are gated off after all stop acknowledge signals from supporting peripherals are valid. The MCU is placed in a low leakage mode by powering down the internal logic. All system RAM contents are retained and I/O states are held. Internal logic states are not retained.
VLLS1	The core clock is gated off. System clocks to other masters and bus clocks are gated off after all stop acknowledge signals from supporting peripherals are valid. The MCU is placed in a low leakage mode by powering down the internal logic and all system RAM. I/O states are held. Internal logic states are not retained.
VLLS0	The core clock is gated off. System clocks to other masters and bus clocks are gated off after all stop acknowledge signals from supporting peripherals are valid. The MCU is placed in a low leakage mode by powering down the internal logic and all system RAM. I/O states are held. Internal logic states are not retained. The 1kHz LPO clock is disabled and the power on reset (POR) circuit can be optionally enabled using STOPCTRL[PORPO].

14.4 Memory map and register descriptions

Information about the registers related to the system mode controller can be found here.

Different SMC registers reset on different reset types. Each register's description provides details. For more information about the types of reset on this chip, refer to the Reset section details.

NOTE

The SMC registers can be written only in supervisor mode. Write accesses in user mode are blocked and will result in a bus error.

NOTE

Before executing the WFI instruction, the last register written to must be read back. This ensures that all register writes associated with setting up the low power mode being entered have completed before the MCU enters the low power mode. Failure to do this may result in the low power mode not being entered correctly.

SMC memory map

Absolute address (hex)	Register name	Width (in bits)	Access	Reset value	Section/page
4007_E000	Power Mode Protection register (SMC_PMPROT)	8	R/W	00h	14.4.1/232
4007_E001	Power Mode Control register (SMC_PMCTRL)	8	R/W	00h	14.4.2/233
4007_E002	Stop Control Register (SMC_STOPCTRL)	8	R/W	03h	14.4.3/234
4007_E003	Power Mode Status register (SMC_PMSTAT)	8	R	01h	14.4.4/236

14.4.1 Power Mode Protection register (SMC_PMPROT)

This register provides protection for entry into any low-power run or stop mode. The enabling of the low-power run or stop mode occurs by configuring the Power Mode Control register (PMCTRL).

The PMPROT register can be written only once after any system reset.

If the MCU is configured for a disallowed or reserved power mode, the MCU remains in its current power mode. For example, if the MCU is in normal RUN mode and AVLP is 0, an attempt to enter VLPR mode using PMCTRL[RUNM] is blocked and PMCTRL[RUNM] remains 00b, indicating the MCU is still in Normal Run mode.

NOTE

This register is reset on Chip Reset not VLLS and by reset types that trigger Chip Reset not VLLS. It is unaffected by reset types that do not trigger Chip Reset not VLLS. See the Reset section details for more information.

Address: 4007_E000h base + 0h offset = 4007_E000h

Bit	7	6	5	4	3	2	1	0
Read	0	0	AVLP	0	ALLS	0	AVLLS	0
Write								
Reset	0	0	0	0	0	0	0	0

SMC_PMPROT field descriptions

Field	Description
7 Reserved	This field is reserved. This read-only field is reserved and always has the value 0.
6 Reserved	This field is reserved. This read-only field is reserved and always has the value 0.
5 AVLP	Allow Very-Low-Power Modes Provided the appropriate control bits are set up in PMCTRL, this write-once field allows the MCU to enter any very-low-power mode (VLPR, VLPW, and VLPS).

Table continues on the next page...

SMC_PMPROT field descriptions (continued)

Field	Description
	0 VLPR, VLPW, and VLPS are not allowed. 1 VLPR, VLPW, and VLPS are allowed.
4 Reserved	This field is reserved. This read-only field is reserved and always has the value 0.
3 ALLS	Allow Low-Leakage Stop Mode Provided the appropriate control bits are set up in PMCTRL, this write-once field allows the MCU to enter any low-leakage stop mode (LLS). 0 LLS is not allowed 1 LLS is allowed
2 Reserved	This field is reserved. This read-only field is reserved and always has the value 0.
1 AVLLS	Allow Very-Low-Leakage Stop Mode Provided the appropriate control bits are set up in PMCTRL, this write once bit allows the MCU to enter any very-low-leakage stop mode (VLLSx). 0 Any VLLSx mode is not allowed 1 Any VLLSx mode is allowed
0 Reserved	This field is reserved. This read-only field is reserved and always has the value 0.

14.4.2 Power Mode Control register (SMC_PMCTRL)

The PMCTRL register controls entry into low-power Run and Stop modes, provided that the selected power mode is allowed via an appropriate setting of the protection (PMPROT) register.

NOTE

This register is reset on Chip POR not VLLS and by reset types that trigger Chip POR not VLLS. It is unaffected by reset types that do not trigger Chip POR not VLLS. See the Reset section details for more information.

Address: 4007_E000h base + 1h offset = 4007_E001h

Bit	7	6	5	4	3	2	1	0
Read	Reserved		RUNM		0	STOPA	STOPM	
Write	Reserved		RUNM		Reserved		STOPM	
Reset	0	0	0	0	0	0	0	0

SMC_PMCTRL field descriptions

Field	Description
7 Reserved	This field is reserved. This bit is reserved for future expansion and should always be written zero.
6–5 RUNM	Run Mode Control When written, causes entry into the selected run mode. Writes to this field are blocked if the protection level has not been enabled using the PMPROT register. NOTE: RUNM may be set to VLPR only when PMSTAT=RUN. After being written to VLPR, RUNM should not be written back to RUN until PMSTAT=VLPR. 00 Normal Run mode (RUN) 01 Reserved 10 Very-Low-Power Run mode (VLPR) 11 Reserved
4 Reserved	This field is reserved. This read-only field is reserved and always has the value 0.
3 STOPA	Stop Aborted When set, this read-only status bit indicates an interrupt occurred during the previous stop mode entry sequence, preventing the system from entering that mode. This field is cleared by reset or by hardware at the beginning of any stop mode entry sequence and is set if the sequence was aborted. 0 The previous stop mode entry was successful. 1 The previous stop mode entry was aborted.
STOPM	Stop Mode Control When written, controls entry into the selected stop mode when Sleep-Now or Sleep-On-Exit mode is entered with SLEEPDEEP=1 . Writes to this field are blocked if the protection level has not been enabled using the PMPROT register. After any system reset, this field is cleared by hardware on any successful write to the PMPROT register. NOTE: When set to VLLSx, the VLLSM field in the STOPCTRL register is used to further select the particular VLLS submode which will be entered. NOTE: When set to STOP, the PSTOPO bits in the STOPCTRL register can be used to select a Partial Stop mode if desired. 000 Normal Stop (STOP) 001 Reserved 010 Very-Low-Power Stop (VLPS) 011 Low-Leakage Stop (LLS) 100 Very-Low-Leakage Stop (VLLSx) 101 Reserved 110 Reseved 111 Reserved

14.4.3 Stop Control Register (SMC_STOPCTRL)

The STOPCTRL register provides various control bits allowing the user to fine tune power consumption during the stop mode selected by the STOPM field.

NOTE

This register is reset on Chip POR not VLLS and by reset types that trigger Chip POR not VLLS. It is unaffected by reset types that do not trigger Chip POR not VLLS. See the Reset section details for more information.

Address: 4007_E000h base + 2h offset = 4007_E002h

Bit	7	6	5	4	3	2	1	0
Read	PSTOPO		PORPO	0	Reserved	VLLSM		
Write								
Reset	0	0	0	0	0	0	1	1

SMC_STOPCTRL field descriptions

Field	Description
7–6 PSTOPO	<p>Partial Stop Option</p> <p>These bits control whether a Partial Stop mode is entered when STOPM=STOP. When entering a Partial Stop mode from RUN (or VLPR) mode, the PMC, MCG and flash remain fully powered, allowing the device to wakeup almost instantaneously at the expense of higher power consumption. In PSTOP2, only system clocks are gated allowing peripherals running on bus clock to remain fully functional. In PSTOP1, both system and bus clocks are gated.</p> <p>00 STOP - Normal Stop mode 01 PSTOP1 - Partial Stop with both system and bus clocks disabled 10 PSTOP2 - Partial Stop with system clock disabled and bus clock enabled 11 Reserved</p>
5 PORPO	<p>POR Power Option</p> <p>This bit controls whether the POR detect circuit is enabled in VLLS0 mode.</p> <p>0 POR detect circuit is enabled in VLLS0 1 POR detect circuit is disabled in VLLS0</p>
4 Reserved	<p>This field is reserved. This read-only field is reserved and always has the value 0.</p>
3 Reserved	<p>This field is reserved. This bit is reserved for future expansion and should always be written zero.</p>
VLLSM	<p>VLLS Mode Control</p> <p>This field controls which VLLS sub-mode to enter if STOPM = VLLSx.</p> <p>000 VLLS0 001 VLLS1 010 Reserved 011 VLLS3 100 Reserved 101 Reserved 110 Reserved 111 Reserved</p>

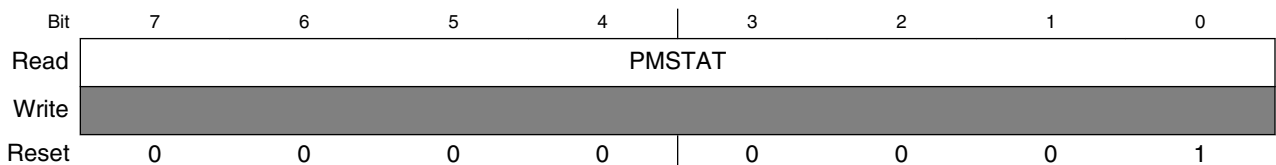
14.4.4 Power Mode Status register (SMC_PMSTAT)

PMSTAT is a read-only, one-hot register which indicates the current power mode of the system.

NOTE

This register is reset on Chip POR not VLLS and by reset types that trigger Chip POR not VLLS. It is unaffected by reset types that do not trigger Chip POR not VLLS. See the Reset section details for more information.

Address: 4007_E000h base + 3h offset = 4007_E003h



SMC_PMSTAT field descriptions

Field	Description
PMSTAT	<p>Power Mode Status</p> <p>NOTE: When debug is enabled, the PMSTAT will not update to STOP or VLPS NOTE: When a PSTOP mode is enabled, the PMSTAT will not update to STOP or VLPS</p> <p>0000_0001 Current power mode is RUN. 0000_0010 Current power mode is STOP. 0000_0100 Current power mode is VLPR. 0000_1000 Current power mode is VLPW. 0001_0000 Current power mode is VLPS. 0010_0000 Current power mode is LLS. 0100_0000 Current power mode is VLLS. 1000_0000 Reserved</p>

14.5 Functional description

14.5.1 Power mode transitions

The following figure shows the power mode state transitions available on the chip. Any reset always brings the MCU back to the normal RUN state.

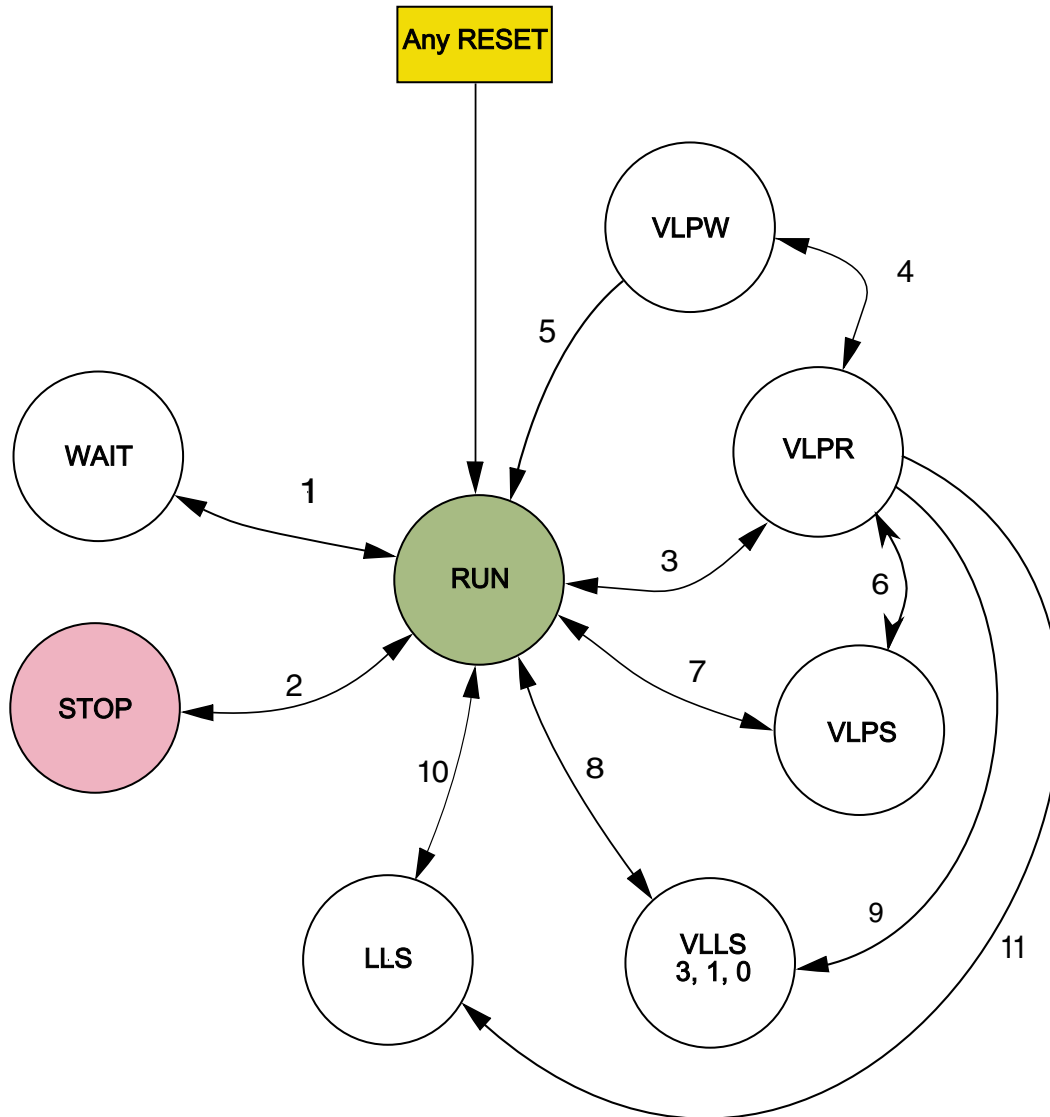


Figure 14-1. Power mode state diagram

The following table defines triggers for the various state transitions shown in the previous figure.

Table 14-2. Power mode transition triggers

Transition #	From	To	Trigger conditions
1	RUN	WAIT	Sleep-now or sleep-on-exit modes entered with SLEEPDEEP clear, controlled in System Control Register in Arm core. See note. ¹
	WAIT	RUN	Interrupt or Reset
2	RUN	STOP	PMCTRL[RUNM]=00, PMCTRL[STOPM]=000 ²

Table continues on the next page...

Table 14-2. Power mode transition triggers (continued)

Transition #	From	To	Trigger conditions
			Sleep-now or sleep-on-exit modes entered with SLEEPDEEP set, which is controlled in System Control Register in Arm core. See note. ¹
	STOP	RUN	Interrupt or Reset
3	RUN	VLPR	The core, system, bus and flash clock frequencies and MCG clocking mode are restricted in this mode. See the Power Management chapter for the maximum allowable frequencies and MCG modes supported. Set PMPROT[AVLP]=1, PMCTRL[RUNM]=10.
	VLPR	RUN	Set PMCTRL[RUNM]=00 or Reset.
4	VLPR	VLPW	Sleep-now or sleep-on-exit modes entered with SLEEPDEEP clear, which is controlled in System Control Register in Arm core. See note. ¹
	VLPW	VLPR	Interrupt
5	VLPW	RUN	Reset
6	VLPR	VLPS	PMCTRL[STOPM]=000 ³ or 010, Sleep-now or sleep-on-exit modes entered with SLEEPDEEP set, which is controlled in System Control Register in Arm core. See note. ¹
	VLPS	VLPR	Interrupt NOTE: If VLPS was entered directly from RUN (transition #7), hardware forces exit back to RUN and does not allow a transition to VLPR.
7	RUN	VLPS	PMPROT[AVLP]=1, PMCTRL[STOPM]=010, Sleep-now or sleep-on-exit modes entered with SLEEPDEEP set, which is controlled in System Control Register in Arm core. See note. ¹
	VLPS	RUN	Interrupt and VLPS mode was entered directly from RUN or Reset
8	RUN	VLLSx	PMPROT[AVLLS]=1, PMCTRL[STOPM]=100, STOPCTRL[LLSM]=x (VLLSx), Sleep-now or sleep-on-exit modes entered with SLEEPDEEP set, which is controlled in System Control Register in Arm core.
	VLLSx	RUN	Wakeup from enabled LLWU input source or RESET pin
9	VLPR	VLLSx	PMPROT[AVLLS]=1, PMCTRL[STOPM]=100, STOPCTRL[LLSM]=x (VLLSx), Sleep-now or sleep-on-exit modes entered with SLEEPDEEP set, which is controlled in System Control Register in Arm core.

Table continues on the next page...

Table 14-2. Power mode transition triggers (continued)

Transition #	From	To	Trigger conditions
10	RUN	LLSx	PMPROT[ALLS]=1, PMCTRL[STOPM]=011, STOPCTRL[LLSM]=x (LLSx), Sleep-now or sleep-on-exit modes entered with SLEEPDEEP set, which is controlled in System Control Register in Arm core.
	LLSx	RUN	Wakeup from enabled LLWU input source or RESET pin.
11	VLPR	LLSx	PMPROT[ALLS]=1, PMCTRL[STOPM]=011, Sleep-now or sleep-on-exit modes entered with SLEEPDEEP set, which is controlled in System Control Register in Arm core.

1. If debug is enabled, the core clock remains to support debug.
2. If PMCTRL[STOPM]=000 and STOPCTRL[PSTOPO]=01 or 10, then only a Partial Stop mode is entered instead of STOP.
3. If PMCTRL[STOPM]=000 and STOPCTRL[PSTOPO]=00, then VLPS mode is entered instead of STOP. If PMCTRL[STOPM]=000 and STOPCTRL[PSTOPO]=01 or 10, then only a Partial Stop mode is entered instead of VLPS.

14.5.2 Power mode entry/exit sequencing

When entering or exiting low-power modes, the system must conform to an orderly sequence to manage transitions safely.

The SMC manages the system's entry into and exit from all power modes. This diagram illustrates the connections of the SMC with other system components in the chip that are necessary to sequence the system through all power modes.

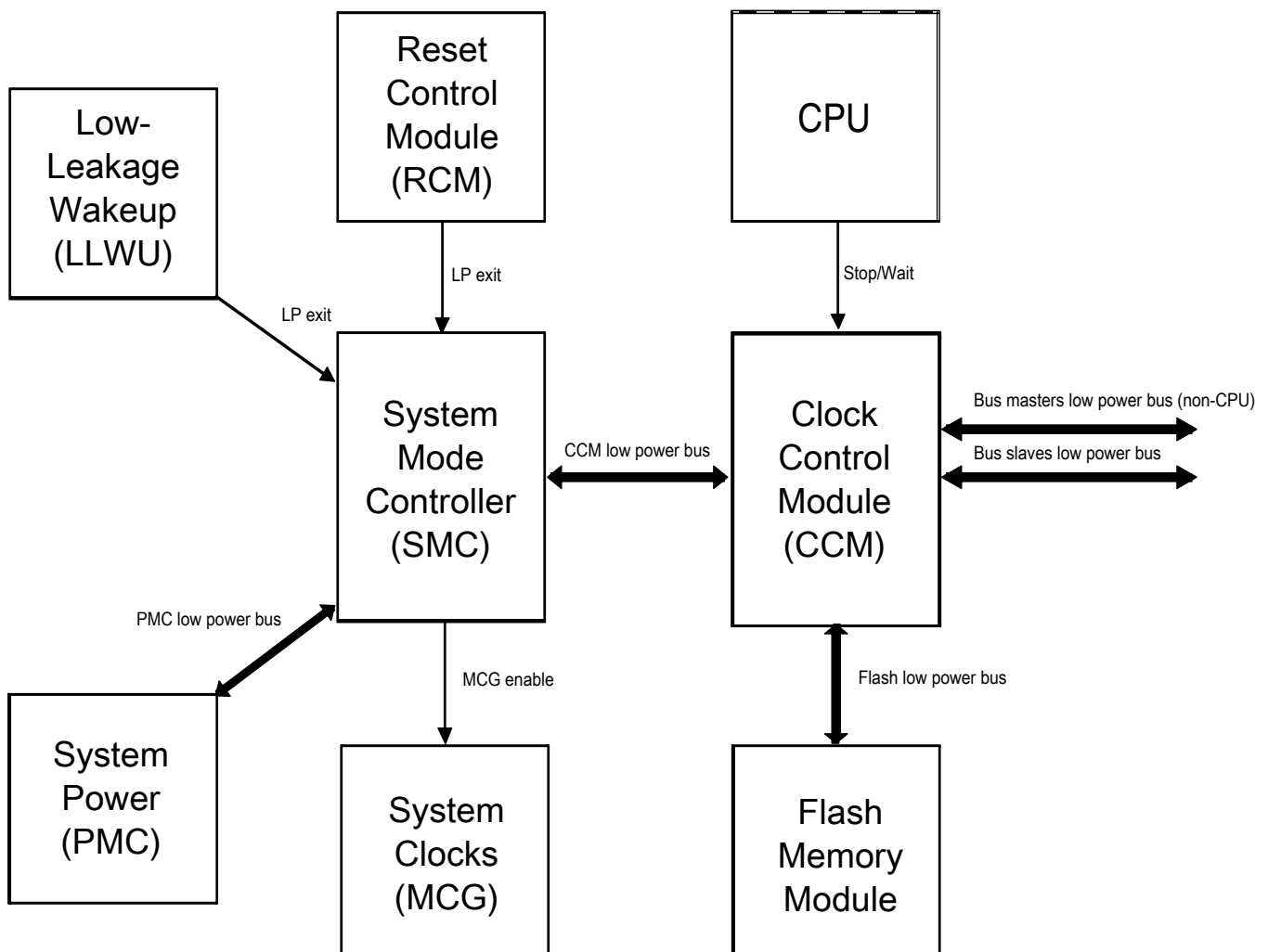


Figure 14-2. Low-power system components and connections

14.5.2.1 Stop mode entry sequence

Entry into a low-power stop mode (Stop, VLPS, LLS, VLLSx) is initiated by a CPU executing the WFI instruction. After the instruction is executed, the following sequence occurs:

1. The CPU clock is gated off immediately.
2. Requests are made to all non-CPU bus masters to enter Stop mode.
3. After all masters have acknowledged they are ready to enter Stop mode, requests are made to all bus slaves to enter Stop mode.
4. After all slaves have acknowledged they are ready to enter Stop mode, all system and bus clocks are gated off.
5. Clock generators are disabled in the MCG.
6. The on-chip regulator in the PMC and internal power switches are configured to meet the power consumption goals for the targeted low-power mode.

14.5.2.2 Stop mode exit sequence

Exit from a low-power stop mode is initiated either by a reset or an interrupt event. The following sequence then executes to restore the system to a run mode (RUN or VLPR):

1. The on-chip regulator in the PMC and internal power switches are restored.
2. Clock generators are enabled in the MCG.
3. System and bus clocks are enabled to all masters and slaves.
4. The CPU clock is enabled and the CPU begins servicing the reset or interrupt that initiated the exit from the low-power stop mode.

14.5.2.3 Aborted stop mode entry

If an interrupt occurs during a stop entry sequence, the SMC can abort the transition early and return to RUN mode without completely entering the stop mode. An aborted entry is possible only if the interrupt occurs before the PMC begins the transition to stop mode regulation. After this point, the interrupt is ignored until the PMC has completed its transition to stop mode regulation. When an aborted stop mode entry sequence occurs, SMC_PMCTRL[STOPA] is set to 1.

14.5.2.4 Transition to wait modes

For wait modes (WAIT and VLPW), the CPU clock is gated off while all other clocking continues, as in RUN and VLPR mode operation. Some modules that support stop-in-wait functionality have their clocks disabled in these configurations.

14.5.2.5 Transition from stop modes to Debug mode

The debugger module supports a transition from STOP, WAIT, VLPS, and VLPW back to a Halted state when the debugger has been enabled. As part of this transition, system clocking is re-established and is equivalent to the normal RUN and VLPR mode clocking configuration.

14.5.3 Run modes

The run modes supported by this device can be found here.

- Run (RUN)
- Very Low-Power Run (VLPR)

14.5.3.1 RUN mode

This is the normal operating mode for the device.

This mode is selected after any reset. When the Arm processor exits reset, it sets up the stack, program counter (PC), and link register (LR):

- The processor reads the start SP (SP_main) from vector-table offset 0x000
- The processor reads the start PC from vector-table offset 0x004
- LR is set to 0xFFFF_FFFF.

To reduce power in this mode, disable the clocks to unused modules using their corresponding clock gating control bits in the SIM's (or PCC's) registers.

14.5.3.2 Very-Low Power Run (VLPR) mode

In VLPR mode, the on-chip voltage regulator is put into a stop mode regulation state. In this state, the regulator is designed to supply enough current to the MCU over a reduced frequency. To further reduce power in this mode, disable the clocks to unused modules using their corresponding clock gating control bits in the SIM's registers.

Before entering this mode, the following conditions must be met:

- The MCG must be configured in a mode which is supported during VLPR. See the Power Management details for information about these MCG modes.
- All clock monitors in the MCG must be disabled.
- The maximum frequencies of the system, bus, flash, and core are restricted. See the Power Management details about which frequencies are supported.
- Mode protection must be set to allow VLP modes, that is, PMPROT[AVLP] is 1.
- PMCTRL[RUNM] must be set to 10b to enter VLPR.
- Flash programming/erasing is not allowed.

NOTE

Do not increase the clock frequency while in VLPR mode, because the regulator is slow in responding and cannot manage fast load transitions. In addition, do not modify the clock source in the MCG module or any clock divider registers. Module clock enables in the SIM can be set, but not cleared.

To reenter Normal Run mode, clear PMCTRL[RUNM]. PMSTAT is a read-only status register that can be used to determine when the system has completed an exit to RUN mode. When PMSTAT=RUN, the system is in run regulation and the MCU can run at full speed in any clock mode. If a higher execution frequency is desired, poll PMSTAT until it is set to RUN when returning from VLPR mode.

Any reset always causes an exit from VLPR and returns the device to RUN mode after the MCU exits its reset flow.

14.5.4 Wait modes

This device contains two different wait modes which are listed here.

- Wait
- Very-Low Power Wait (VLPW)

14.5.4.1 WAIT mode

WAIT mode is entered when the Arm core enters the Sleep-Now or Sleep-On-Exit modes while SLEEPDEEP is cleared. The Arm CPU enters a low-power state in which it is not clocked, but peripherals continue to be clocked provided they are enabled. Clock gating to the peripheral is enabled via the SIM module.

When an interrupt request occurs, the CPU exits WAIT mode and resumes processing in RUN mode, beginning with the stacking operations leading to the interrupt service routine.

A system reset will cause an exit from WAIT mode, returning the device to normal RUN mode.

14.5.4.2 Very-Low-Power Wait (VLPW) mode

VLPW is entered by the entering the Sleep-Now or Sleep-On-Exit mode while SLEEPDEEP is cleared and the MCU is in VLPR mode.

In VLPW, the on-chip voltage regulator remains in its stop regulation state. In this state, the regulator is designed to supply enough current to the MCU over a reduced frequency. To further reduce power in this mode, disable the clocks to unused modules by clearing the peripherals' corresponding clock gating control bits in the SIM (or PCC).

VLPR mode restrictions also apply to VLPW.

When an interrupt from VLPW occurs, the device returns to VLPR mode to execute the interrupt service routine.

A system reset will cause an exit from VLPW mode, returning the device to normal RUN mode.

14.5.5 Stop modes

This device contains a variety of stop modes to meet your application needs.

The stop modes range from:

- a stopped CPU, with all I/O, logic, and memory states retained, and certain asynchronous mode peripherals operating

to:

- a powered down CPU, with only I/O and a small register file retained, very few asynchronous mode peripherals operating, while the remainder of the MCU is powered down.

The choice of stop mode depends upon the user's application, and how power usage and state retention versus functional needs and recovery time may be traded off.

The various stop modes are selected by setting the appropriate fields in PMPROT and PMCTRL. The selected stop mode is entered during the sleep-now or sleep-on-exit entry with the SLEEPDEEP bit set in the System Control Register in the Arm core.

The available stop modes are:

- Normal Stop (STOP)
- Very-Low Power Stop (VLPS)
- Low-Leakage Stop (LLS)
- Very-Low-Leakage Stop (VLLSx)

14.5.5.1 STOP mode

STOP mode is entered via the sleep-now or sleep-on-exit with the SLEEPDEEP bit set in the System Control Register in the Arm core.

The MCG module can be configured to leave the reference clocks running.

A module capable of providing an asynchronous interrupt to the device takes the device out of STOP mode and returns the device to normal RUN mode. Refer to the device's Power Management chapter for peripheral, I/O, and memory operation in STOP mode. When an interrupt request occurs, the CPU exits STOP mode and resumes processing, beginning with the stacking operations leading to the interrupt service routine.

A system reset will cause an exit from STOP mode, returning the device to normal RUN mode via an MCU reset.

14.5.5.2 Very-Low-Power Stop (VLPS) mode

The two ways in which VLPS mode can be entered are listed here.

- Entry into stop via the sleep-now or sleep-on-exit with the SLEEPDEEP bit set in the System Control Register in the Arm core while the MCU is in VLPR mode and $PMCTRL[STOPM] = 010$ or 000 .
- Entry into stop via the sleep-now or sleep-on-exit with the SLEEPDEEP bit set in the System Control Register in the Arm core while the MCU is in normal RUN mode and $PMCTRL[STOPM] = 010$. When VLPS is entered directly from RUN mode, exit to VLPR is disabled by hardware and the system will always exit back to RUN.

In VLPS, the on-chip voltage regulator remains in its stop regulation state as in VLPR.

A module capable of providing an asynchronous interrupt to the device takes the device out of VLPS and returns the device to VLPR mode.

A system reset will also cause a VLPS exit, returning the device to normal RUN mode.

14.5.5.3 Low-Leakage Stop (LLS) mode

Low-Leakage Stop (LLS) mode can be entered from normal RUN or VLPR modes.

The MCU enters LLS mode if:

- In Sleep-Now or Sleep-On-Exit mode, SLEEPDEEP is set in the System Control Register in the Arm core, and
- The device is configured as shown in [Table 14-2](#).

In LLS, the on-chip voltage regulator is in stop regulation. Most of the peripherals are put in a state-retention mode that does not allow them to operate while in LLS.

Before entering LLS mode, the user should configure the Low-Leakage Wake-up (LLWU) module to enable the desired wake-up sources. The available wake-up sources in LLS are detailed in the chip configuration details for this device.

After wakeup from LLS, the device returns to normal RUN mode with a pending LLWU module interrupt. In the LLWU interrupt service routine (ISR), the user can poll the LLWU module wake-up flags to determine the source of the wakeup.

NOTE

The LLWU interrupt must not be masked by the interrupt controller to avoid a scenario where the system does not fully exit Stop mode on an LLS recovery.

An asserted $\overline{\text{RESET}}$ pin will cause an exit from LLS mode, returning the device to normal RUN mode. When LLS is exiting via the $\overline{\text{RESET}}$ pin, RCM_SRS[PIN] and RCM_SRS[WAKEUP] are set.

14.5.5.4 Very-Low-Leakage Stop (VLLSx) modes

This device contains these very low leakage modes:

- VLLS3
- VLLS1
- VLLS0

VLLSx is often used in this document to refer to all of these modes.

All VLLSx modes can be entered from normal RUN or VLPR modes.

The MCU enters the configured VLLS mode if:

- In Sleep-Now or Sleep-On-Exit mode, the SLEEPDEEP bit is set in the System Control Register in the Arm core, and
- The device is configured as shown in [Table 14-2](#).

In VLLS, the on-chip voltage regulator is in its stop-regulation state while most digital logic is powered off.

Before entering VLLS mode, the user should configure the Low-Leakage Wake-up (LLWU) module to enable the desired wakeup sources. The available wake-up sources in VLLS are detailed in the chip configuration details for this device.

After wakeup from VLLS, the device returns to normal RUN mode with a pending LLWU interrupt. In the LLWU interrupt service routine (ISR), the user can poll the LLWU module wake-up flags to determine the source of the wake-up.

When entering VLLS, each I/O pin is latched as configured before executing VLLS. Because all digital logic in the MCU is powered off, all port and peripheral data is lost during VLLS. This information must be restored before PMC_REGSC[ACKISO] is set.

An asserted $\overline{\text{RESET}}$ pin will cause an exit from any VLLS mode, returning the device to normal RUN mode. When exiting VLLS via the $\overline{\text{RESET}}$ pin, RCM_SRS[PIN] and RCM_SRS[WAKEUP] are set.

14.5.6 Debug in low power modes

When the MCU is secure, the device disables/limits debugger operation. When the MCU is unsecure, the Arm debugger can assert two power-up request signals:

- System power up, via SYSPWR in the Debug Port Control/Stat register
- Debug power up, via CDBGPWRUPREQ in the Debug Port Control/Stat register

When asserted while in RUN, WAIT, VLPR, or VLPW the mode controller drives a corresponding acknowledge for each signal, that is, both CDBGPWRUPACK and CSYSPWRUPACK. When both requests are asserted, the mode controller handles attempts to enter STOP and VLPS by entering an emulated stop state. In this emulated stop state:

- the regulator is in run regulation,
- the MCG-generated clock source is enabled,
- all system clocks, except the core clock, are disabled,
- the debug module has access to core registers, and
- access to the on-chip peripherals is blocked.

No debug is available while the MCU is in LLS or VLLS modes. LLS is a state-retention mode and all debug operation can continue after waking from LLS, even in cases where system wakeup is due to a system reset event.

Entering into a VLLS mode causes all of the debug controls and settings to be powered off. To give time to the debugger to sync with the MCU, the MDM AP Control Register includes a Very-Low-Leakage Debug Request (VLLDBGREQ) bit that is set to configure the Reset Controller logic to hold the system in reset after the next recovery from a VLLS mode. This bit allows the debugger time to reinitialize the debug module before the debug session continues.

The MDM AP Control Register also includes a Very Low Leakage Debug Acknowledge (VLLDBGACK) bit that is set to release the Arm core being held in reset following a VLLS recovery. The debugger reinitializes all debug IP, and then asserts the VLLDBGACK control bit to allow the RCM to release the Arm core from reset and allow CPU operation to begin.

The VLLDBGACK bit is cleared by the debugger (or can be left set as is) or clears automatically due to the reset generated as part of the next VLLS recovery.

Chapter 15

Power Management Controller (PMC)

15.1 Introduction

The power management controller (PMC) contains the internal voltage regulator, power on reset (POR), and low voltage detect system (LVD).

See [AN4503: Power Management for Kinetis MCUs](#) for further details on using the PMC.

15.2 Features

A list of included PMC features can be found here.

- Internal voltage regulator
- Active POR providing brown-out detect
- Low-voltage detect supporting two low-voltage trip points with four warning levels per trip point

15.3 Low-voltage detect (LVD) system

This device includes a system to guard against low-voltage conditions. This protects memory contents and controls MCU system states during supply voltage variations.

The system is comprised of a power-on reset (POR) circuit and a LVD circuit with a user-selectable trip voltage: high (V_{LVDH}) or low (V_{LVDL}). The trip voltage is selected by `LVDS1[LVDF]`. The LVD is disabled upon entering `VLPx`, `LLS`, and `VLLSx` modes.

Two flags are available to indicate the status of the low-voltage detect system:

- The Low Voltage Detect Flag in the Low Voltage Status and Control 1 Register (`LVDS1[LVDF]`) operates in a level sensitive manner. `LVDS1[LVDF]` is set

when the supply voltage falls below the selected trip point (VLVD).

LVDS1[LVDF] is cleared by writing 1 to LVDS1[LVDAK], but only if the internal supply has returned above the trip point; otherwise, LVDS1[LVDF] remains set.

- The Low Voltage Warning Flag (LVWF) in the Low Voltage Status and Control 2 Register (LVDS2[LVWF]) operates in a level sensitive manner. LVDS2[LVWF] is set when the supply voltage falls below the selected monitor trip point (VLVW). LVDS2[LVWF] is cleared by writing one to LVDS2[LVWAK], but only if the internal supply has returned above the trip point; otherwise, LVDS2[LVWF] remains set.

15.3.1 LVD reset operation

By setting LVDS1[LVDR], the LVD generates a reset upon detection of a low-voltage condition. The low-voltage detection threshold is determined by LVDS1[LVDV]. After an LVD reset occurs, the LVD system holds the MCU in reset until the supply voltage rises above this threshold. The LVD field in the SRS register of the RCM module (RCM_SRS[LVD]) is set following an LVD or power-on reset.

15.3.2 LVD interrupt operation

By configuring the LVD circuit for interrupt operation (LVDS1[LVDR] set and LVDS1[LVDR] clear), LVDS1[LVDF] is set and an LVD interrupt request occurs upon detection of a low voltage condition. LVDS1[LVDF] is cleared by writing 1 to LVDS1[LVDAK].

15.3.3 Low-voltage warning (LVW) interrupt operation

The LVD system contains a Low-Voltage Warning Flag (LVWF) in the Low Voltage Detect Status and Control 2 Register to indicate that the supply voltage is approaching, but is above, the LVD voltage. The LVW also has an interrupt, which is enabled by setting LVDS2[LVWR]. If enabled, an LVW interrupt request occurs when LVDS2[LVWF] is set. LVDS2[LVWF] is cleared by writing 1 to LVDS2[LVWAK].

LVDS2[LVWR] selects one of the four trip voltages:

- Highest: V_{LVW4}

- Two mid-levels: V_{LVW3} and V_{LVW2}
- Lowest: V_{LVW1}

15.4 I/O retention

When in LLS mode, the I/O pins are held in their input or output state.

Upon wakeup, the PMC is re-enabled, goes through a power up sequence to full regulation, and releases the logic from state retention mode. The I/O are released immediately after a wake-up or reset event. In the case of LLS exit via a RESET pin, the I/O default to their reset state.

When in VLLS modes, the I/O states are held on a wake-up event (with the exception of wake-up by reset event) until the wake-up has been acknowledged via a write to REGSC[ACKISO]. In the case of VLLS exit via a RESET pin, the I/O are released and default to their reset state. In this case, no write to REGSC[ACKISO] is needed.

15.5 Memory map and register descriptions

Details about the PMC registers can be found here.

NOTE

Different portions of PMC registers are reset only by particular reset types. Each register's description provides details. For more information about the types of reset on this chip, refer to the Reset section details.

The PMC registers can be written only in supervisor mode. Write accesses in user mode are blocked and will result in a bus error.

PMC memory map

Absolute address (hex)	Register name	Width (in bits)	Access	Reset value	Section/page
4007_D000	Low Voltage Detect Status And Control 1 register (PMC_LVDSC1)	8	R/W	10h	15.5.1/252
4007_D001	Low Voltage Detect Status And Control 2 register (PMC_LVDSC2)	8	R/W	00h	15.5.2/253
4007_D002	Regulator Status And Control register (PMC_REGSC)	8	R/W	04h	15.5.3/254

15.5.1 Low Voltage Detect Status And Control 1 register (PMC_LVDSC1)

This register contains status and control bits to support the low voltage detect function. This register should be written during the reset initialization program to set the desired controls even if the desired settings are the same as the reset settings.

While the device is in the very low power or low leakage modes, the LVD system is disabled regardless of LVDSC1 settings. To protect systems that must have LVD always on, configure the Power Mode Protection (PMPROT) register of the SMC module (SMC_PMPROT) to disallow any very low power or low leakage modes from being enabled.

See the device's data sheet for the exact LVD trip voltages.

NOTE

The LVDV bits are reset solely on a POR Only event. The register's other bits are reset on Chip Reset Not VLLS. For more information about these reset types, refer to the Reset section details.

Address: 4007_D000h base + 0h offset = 4007_D000h

Bit	7	6	5	4	3	2	1	0
Read	LVDF	0	LVDIE	LVDRE	0		LVDV	
Write		LVDACK						
Reset	0	0	0	1	0	0	0	0

PMC_LVDSC1 field descriptions

Field	Description
7 LVDF	Low-Voltage Detect Flag This read-only status field indicates a low-voltage detect event. 0 Low-voltage event not detected 1 Low-voltage event detected
6 LVDACK	Low-Voltage Detect Acknowledge This write-only field is used to acknowledge low voltage detection errors. Write 1 to clear LVDF. Reads always return 0.
5 LVDIE	Low-Voltage Detect Interrupt Enable Enables hardware interrupt requests for LVDF. 0 Hardware interrupt disabled (use polling) 1 Request a hardware interrupt when LVDF = 1

Table continues on the next page...

PMC_LVDSC1 field descriptions (continued)

Field	Description
4 LVDRE	<p>Low-Voltage Detect Reset Enable</p> <p>This write-once bit enables LVDF events to generate a hardware reset. Additional writes are ignored.</p> <p>0 LVDF does not generate hardware resets 1 Force an MCU reset when LVDF = 1</p>
3–2 Reserved	<p>This field is reserved.</p> <p>This read-only field is reserved and always has the value 0.</p>
LVDV	<p>Low-Voltage Detect Voltage Select</p> <p>Selects the LVD trip point voltage (V_{LVD}).</p> <p>00 Low trip point selected ($V_{LVD} = V_{LVDL}$) 01 High trip point selected ($V_{LVD} = V_{LVDH}$) 10 Reserved 11 Reserved</p>

15.5.2 Low Voltage Detect Status And Control 2 register (PMC_LVDSC2)

This register contains status and control bits to support the low voltage warning function.

While the device is in the very low power or low leakage modes, the LVD system is disabled regardless of LVDSC2 settings.

See the device's data sheet for the exact LVD trip voltages.

NOTE

The LVW trip voltages depend on LVWV and LVDV.

NOTE

LVWV is reset solely on a POR Only event. The other fields of the register are reset on Chip Reset Not VLLS. For more information about these reset types, refer to the Reset section details.

Address: 4007_D000h base + 1h offset = 4007_D001h

Bit	7	6	5	4	3	2	1	0
Read	LVWF	0	LVWIE	0			LVWV	
Write	LVWACK		LVWIE				LVWV	
Reset	0	0	0	0	0	0	0	0

PMC_LVDSC2 field descriptions

Field	Description
7 LVWF	<p>Low-Voltage Warning Flag</p> <p>This read-only status field indicates a low-voltage warning event. LVWF is set when V_{Supply} transitions below the trip point, or after reset and V_{Supply} is already below V_{LVW}. LVWF may be 1 after power-on reset, therefore, to use LVW interrupt function, before enabling LVWIE, LVWF must be cleared by writing LVWACK first.</p> <p>0 Low-voltage warning event not detected 1 Low-voltage warning event detected</p>
6 LVWACK	<p>Low-Voltage Warning Acknowledge</p> <p>This write-only field is used to acknowledge low voltage warning errors. Write 1 to clear LVWF. Reads always return 0.</p>
5 LVWIE	<p>Low-Voltage Warning Interrupt Enable</p> <p>Enables hardware interrupt requests for LVWF.</p> <p>0 Hardware interrupt disabled (use polling) 1 Request a hardware interrupt when LVWF = 1</p>
4–2 Reserved	<p>This field is reserved. This read-only field is reserved and always has the value 0.</p>
LVWV	<p>Low-Voltage Warning Voltage Select</p> <p>Selects the LVW trip point voltage (V_{LVW}). The actual voltage for the warning depends on LVDS1[LVDV].</p> <p>00 Low trip point selected ($V_{LVW} = V_{LVW1}$) 01 Mid 1 trip point selected ($V_{LVW} = V_{LVW2}$) 10 Mid 2 trip point selected ($V_{LVW} = V_{LVW3}$) 11 High trip point selected ($V_{LVW} = V_{LVW4}$)</p>

15.5.3 Regulator Status And Control register (PMC_REGSC)

The PMC contains an internal voltage regulator. The voltage regulator design uses a bandgap reference that is also available through a buffer as input to certain internal peripherals, such as the CMP and ADC. The internal regulator provides a status bit (REGONS) indicating the regulator is in run regulation.

NOTE

This register is reset on Chip Reset Not VLLS and by reset types that trigger Chip Reset not VLLS. See the Reset section details for more information.

Address: 4007_D000h base + 2h offset = 4007_D002h

Bit	7	6	5	4	3	2	1	0
Read	0	0	Reserved	BGEN	ACKISO	REGONS	Reserved	BGBE
Write					w1c			
Reset	0	0	0	0	0	1	0	0

PMC_REGSC field descriptions

Field	Description
7 Reserved	This field is reserved. This read-only field is reserved and always has the value 0.
6 Reserved	This field is reserved. This read-only field is reserved and always has the value 0.
5 Reserved	This field is reserved.
4 BGEN	Bandgap Enable In VLPx Operation BGEN controls whether the bandgap is enabled in lower power modes of operation (VLPx, LLS, and VLLSx). When on-chip peripherals require the bandgap voltage reference in low power modes of operation, set BGEN to continue to enable the bandgap operation. NOTE: When the bandgap voltage reference is not needed in low power modes, clear BGEN to avoid excess power consumption. 0 Bandgap voltage reference is disabled in VLPx , LLS , and VLLSx modes. 1 Bandgap voltage reference is enabled in VLPx , LLS , and VLLSx modes.
3 ACKISO	Acknowledge Isolation Reading this field indicates whether certain peripherals and the I/O pads are in a latched state as a result of having been in a VLLS mode. Writing 1 to this field when it is set releases the I/O pads and certain peripherals to their normal run mode state. NOTE: After recovering from a VLLS mode, user should restore chip configuration before clearing ACKISO. In particular, pin configuration for enabled LLWU wakeup pins should be restored to avoid any LLWU flag from being falsely set when ACKISO is cleared. 0 Peripherals and I/O pads are in normal run state. 1 Certain peripherals and I/O pads are in an isolated and latched state.
2 REGONS	Regulator In Run Regulation Status This read-only field provides the current status of the internal voltage regulator. 0 Regulator is in stop regulation or in transition to/from it 1 Regulator is in run regulation
1 Reserved	This field is reserved. NOTE: This reserved bit must remain cleared (set to 0).
0 BGBE	Bandgap Buffer Enable Enables the bandgap buffer. 0 Bandgap buffer not enabled 1 Bandgap buffer enabled

Chapter 16

Miscellaneous Control Module (MCM)

16.1 Introduction

The Miscellaneous Control Module (MCM) provides a myriad of miscellaneous control functions.

16.1.1 Features

The MCM includes the following features:

- Program-visible information on the platform configuration
- Crossbar master arbitration policy selection
- Flash controller speculation buffer and cache configurations

16.2 Memory map/register descriptions

The memory map and register descriptions found here describe the registers using byte addresses. The registers can be written only when in supervisor mode.

MCM memory map

Absolute address (hex)	Register name	Width (in bits)	Access	Reset value	Section/page
F000_3008	Crossbar Switch (AXBS) Slave Configuration (MCM_PLASC)	16	R	0007h	16.2.1/258
F000_300A	Crossbar Switch (AXBS) Master Configuration (MCM_PLAMC)	16	R	000Dh	16.2.2/258
F000_300C	Platform Control Register (MCM_PLACR)	32	R/W	0000_0000h	16.2.3/259
F000_3040	Compute Operation Control Register (MCM_CPO)	32	R/W	0000_0000h	16.2.4/262

16.2.1 Crossbar Switch (AXBS) Slave Configuration (MCM_PLASC)

PLASC is a 16-bit read-only register identifying the presence/absence of bus slave connections to the device's crossbar switch.

Address: F000_3000h base + 8h offset = F000_3008h

Bit	15	14	13	12	11	10	9	8	7	6	5	4	3	2	1	0	
Read	0								ASC								
Write	[Shaded]																
Reset	0	0	0	0	0	0	0	0	0	0	0	0	0	0	1	1	1

MCM_PLASC field descriptions

Field	Description
15–8 Reserved	This field is reserved. This read-only field is reserved and always has the value 0.
ASC	Each bit in the ASC field indicates whether there is a corresponding connection to the crossbar switch's slave input port. 0 A bus slave connection to AXBS input port <i>n</i> is absent. 1 A bus slave connection to AXBS input port <i>n</i> is present.

16.2.2 Crossbar Switch (AXBS) Master Configuration (MCM_PLAMC)

PLAMC is a 16-bit read-only register identifying the presence/absence of bus master connections to the device's crossbar switch.

Address: F000_3000h base + Ah offset = F000_300Ah

Bit	15	14	13	12	11	10	9	8	7	6	5	4	3	2	1	0	
Read	0								AMC								
Write	[Shaded]																
Reset	0	0	0	0	0	0	0	0	0	0	0	0	0	1	1	0	1

MCM_PLAMC field descriptions

Field	Description
15–8 Reserved	This field is reserved. This read-only field is reserved and always has the value 0.
AMC	Each bit in the AMC field indicates whether there is a corresponding connection to the AXBS master input port.

Table continues on the next page...

MCM_PLAMC field descriptions (continued)

Field	Description
0	A bus master connection to AXBS input port <i>n</i> is absent
1	A bus master connection to AXBS input port <i>n</i> is present

16.2.3 Platform Control Register (MCM_PLACR)

The PLACR register selects the arbitration policy for the crossbar masters and configures the flash memory controller.

The speculation buffer and cache in the flash memory controller is configurable via PLACR[15:10].

The speculation buffer is enabled only for instructions after reset. It is possible to have these states for the speculation buffer:

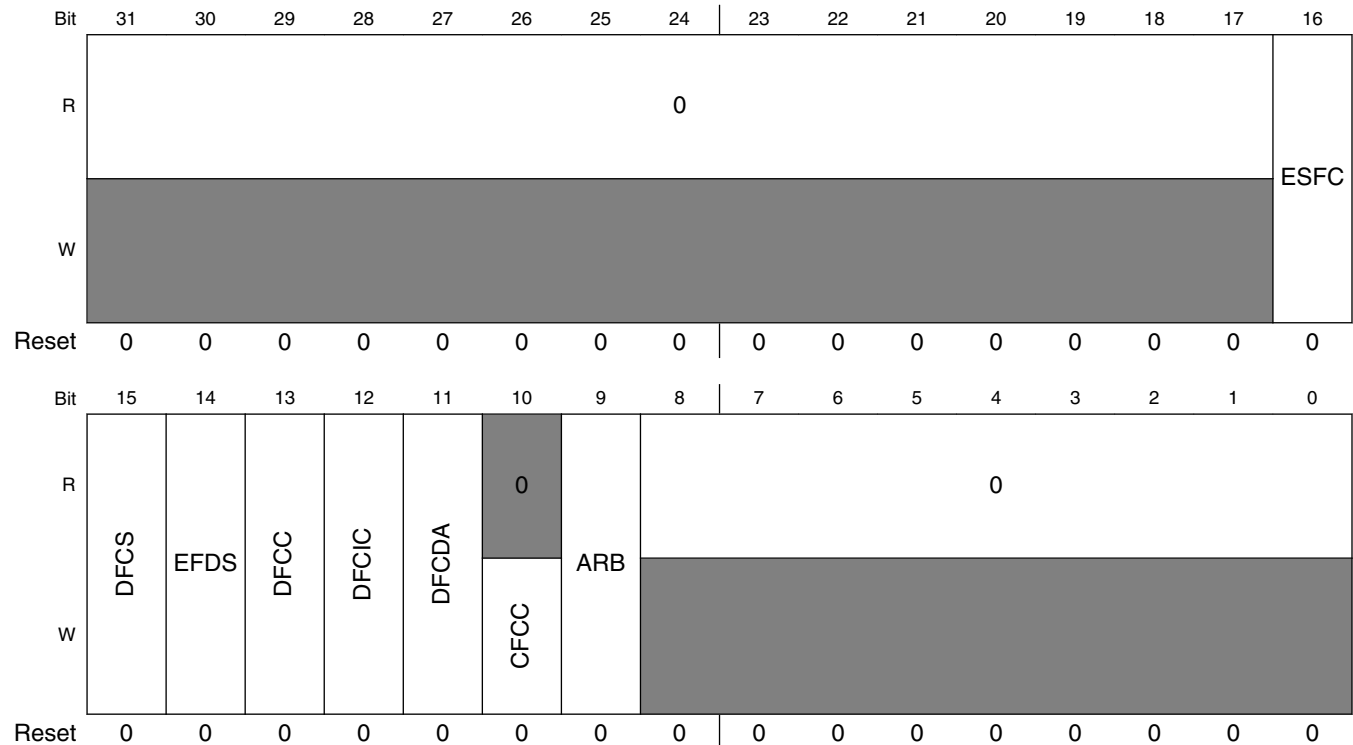
DFCS	EFDS	Description
0	0	Speculation buffer is on for instruction and off for data.
0	1	Speculation buffer is on for instruction and on for data.
1	X	Speculation buffer is off.

The cache in flash controller is enabled and caching both instruction and data type fetches after reset. It is possible to have these states for the cache:

DFCC	DFCIC	DFCDA	Description
0	0	0	Cache is on for both instruction and data.
0	0	1	Cache is on for instruction and off for data.
0	1	0	Cache is off for instruction and on for data.
0	1	1	Cache is off for both instruction and data.
1	X	X	Cache is off.

Memory map/register descriptions

Address: F000_3000h base + Ch offset = F000_300Ch



MCM_PLACR field descriptions

Field	Description
31–17 Reserved	This field is reserved. This read-only field is reserved and always has the value 0.
16 ESFC	Enable Stalling Flash Controller Enables stalling flash controller when flash is busy. When software needs to access the flash memory while a flash memory resource is being manipulated by a flash command, software can enable a stall mechanism to avoid a read collision. The stall mechanism allows software to execute code from the same block on which flash operations are being performed. However, software must ensure the sector the flash operations are being performed on is not the same sector from which the code is executing. ESFC enables the stall mechanism. This bit must be set only just before the flash operation is executed and must be cleared when the operation completes. 0 Disable stalling flash controller when flash is busy. 1 Enable stalling flash controller when flash is busy.
15 DFCS	Disable Flash Controller Speculation Disables flash controller speculation. 0 Enable flash controller speculation. 1 Disable flash controller speculation.
14 EFDS	Enable Flash Data Speculation Enables flash data speculation.

Table continues on the next page...

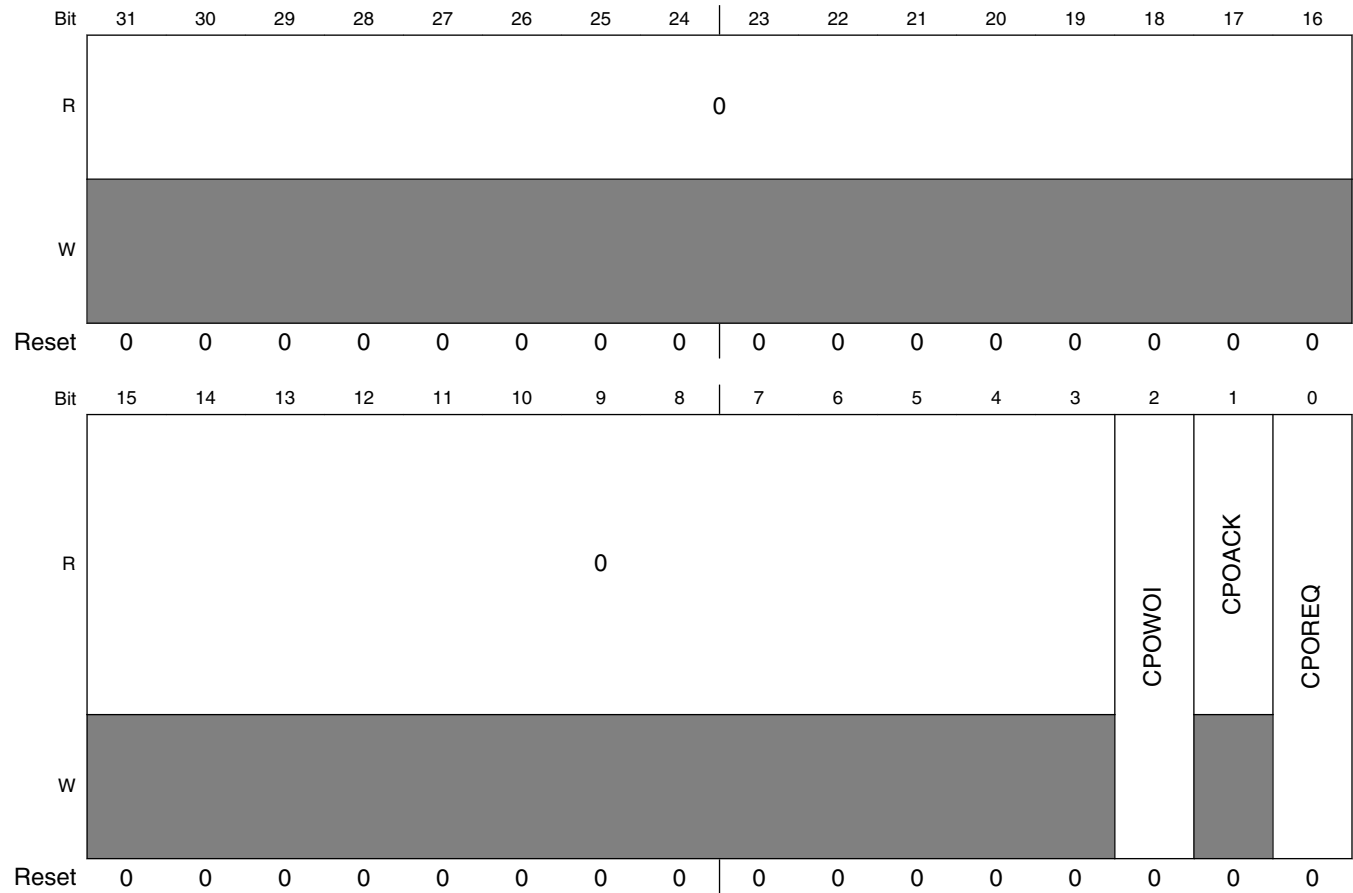
MCM_PLACR field descriptions (continued)

Field	Description
	0 Disable flash data speculation. 1 Enable flash data speculation.
13 DFCC	Disable Flash Controller Cache Disables flash controller cache. 0 Enable flash controller cache. 1 Disable flash controller cache.
12 DFCIC	Disable Flash Controller Instruction Caching Disables flash controller instruction caching. 0 Enable flash controller instruction caching. 1 Disable flash controller instruction caching.
11 DFCDA	Disable Flash Controller Data Caching Disables flash controller data caching. 0 Enable flash controller data caching 1 Disable flash controller data caching.
10 CFCC	Clear Flash Controller Cache Writing a 1 to this field clears the cache. Writing a 0 to this field is ignored. This field always reads as 0.
9 ARB	Arbitration select 0 Fixed-priority arbitration for the crossbar masters 1 Round-robin arbitration for the crossbar masters
Reserved	This field is reserved. This read-only field is reserved and always has the value 0.

16.2.4 Compute Operation Control Register (MCM_CPO)

This register controls the Compute Operation.

Address: F000_3000h base + 40h offset = F000_3040h



MCM_CPO field descriptions

Field	Description
31–3 Reserved	This field is reserved. This read-only field is reserved and always has the value 0.
2 CPOWUI	Compute Operation Wake-up on Interrupt 0 No effect. 1 When set, the CPOREQ is cleared on any interrupt or exception vector fetch.
1 CPOACK	Compute Operation Acknowledge 0 Compute operation entry has not completed or compute operation exit has completed. 1 Compute operation entry has completed or compute operation exit has not completed.
0 CPOREQ	Compute Operation Request This bit is auto-cleared by vector fetching if CPOWUI = 1.

Table continues on the next page...

MCM_CPO field descriptions (continued)

Field	Description
0	Request is cleared.
1	Request Compute Operation.

Chapter 17

Crossbar Switch Lite (AXBS-Lite)

17.1 Chip-specific AXBS-Lite information

17.1.1 Crossbar-light switch master assignments

The masters connected to the crossbar switch are assigned as follows:

Master module	Master port number
Arm core unified bus	0
DMA	2
USB	3

17.1.2 Crossbar switch slave assignments

This device contains 3 slaves connected to the crossbar switch.

The slave assignment is as follows:

Slave module	Slave port number
Flash memory controller	0
SRAM controller	1
Peripheral bridge 0	2

17.2 Introduction

The information found here provides information on the layout, configuration, and programming of the crossbar switch.

The crossbar switch connects bus masters and bus slaves using a crossbar switch structure. This structure allows up to four bus masters to access different bus slaves simultaneously, while providing arbitration among the bus masters when they access the same slave.

17.2.1 Features

The crossbar switch includes these features:

- Symmetric crossbar bus switch implementation
 - Allows concurrent accesses from different masters to different slaves
- Up to single-clock 32-bit transfer
- Programmable configuration for fixed-priority or round-robin slave port arbitration (see the chip-specific information).

17.3 Memory Map / Register Definition

This crossbar switch is designed for minimal gate count. It, therefore, has no memory-mapped configuration registers.

Please see the chip-specific information for information on whether the arbitration method in the crossbar switch is programmable, and by which module.

17.4 Functional Description

17.4.1 General operation

When a master accesses the crossbar switch, the access is immediately taken. If the targeted slave port of the access is available, then the access is immediately presented on the slave port. Single-clock or zero-wait-state accesses are possible through the crossbar. If the targeted slave port of the access is busy or parked on a different master port, the requesting master simply sees wait states inserted until the targeted slave port can service the master's request. The latency in servicing the request depends on each master's priority level and the responding slave's access time.

Because the crossbar switch appears to be just another slave to the master device, the master device has no knowledge of whether it actually owns the slave port it is targeting. While the master does not have control of the slave port it is targeting, it simply waits.

After the master has control of the slave port it is targeting, the master remains in control of the slave port until it relinquishes the slave port by running an IDLE cycle or by targeting a different slave port for its next access.

The master can also lose control of the slave port if another higher-priority master makes a request to the slave port.

The crossbar terminates all master IDLE transfers, as opposed to allowing the termination to come from one of the slave buses. Additionally, when no master is requesting access to a slave port, the crossbar drives IDLE transfers onto the slave bus, even though a default master may be granted access to the slave port.

When a slave bus is being idled by the crossbar, it remains parked with the last master to use the slave port. This is done to save the initial clock of arbitration delay that otherwise would be seen if the same master had to arbitrate to gain control of the slave port.

17.4.2 Arbitration

The crossbar switch supports two arbitration algorithms:

- Fixed priority
- Round-robin

The selection of the global slave port arbitration is controlled in the MCM module. For fixed priority, set `MCM_PLACR[ARB]` to 0. For round robin, set `MCM_PLACR[ARB]` to 1. This arbitration setting applies to all slave ports.

17.4.2.1 Arbitration during undefined length bursts

All lengths of burst accesses lock out arbitration until the last beat of the burst.

17.4.2.2 Fixed-priority operation

When operating in fixed-priority mode, each master is assigned a unique priority level with the highest numbered master having the highest priority (for example, in a system with 5 masters, master 1 has lower priority than master 3). If two masters request access to the same slave port, the master with the highest priority gains control over the slave port.

NOTE

In this arbitration mode, a higher-priority master can monopolize a slave port, preventing accesses from any lower-priority master to the port.

When a master makes a request to a slave port, the slave port checks whether the new requesting master's priority level is higher than that of the master that currently has control over the slave port, unless the slave port is in a parked state. The slave port performs an arbitration check at every clock edge to ensure that the proper master, if any, has control of the slave port.

The following table describes possible scenarios based on the requesting master port:

Table 17-1. How the Crossbar Switch grants control of a slave port to a master

When	Then the Crossbar Switch grants control to the requesting master
Both of the following are true: <ul style="list-style-type: none"> The current master is not running a transfer. The new requesting master's priority level is higher than that of the current master. 	At the next clock edge
The requesting master's priority level is lower than the current master.	At the conclusion of one of the following cycles: <ul style="list-style-type: none"> An IDLE cycle A non-IDLE cycle to a location other than the current slave port

17.4.2.3 Round-robin priority operation

When operating in round-robin mode, each master is assigned a relative priority based on the master port number. This relative priority is compared to the master port number (ID) of the last master to perform a transfer on the slave bus. The highest priority requesting master becomes owner of the slave bus at the next transfer boundary. Priority is based on how far ahead the ID of the requesting master is to the ID of the last master.

After granted access to a slave port, a master may perform as many transfers as desired to that port until another master makes a request to the same slave port. The next master in line is granted access to the slave port at the next transfer boundary, or possibly on the next clock cycle if the current master has no pending access request.

As an example of arbitration in round-robin mode, assume the crossbar is implemented with master ports 0, 1, 4, and 5. If the last master of the slave port was master 1, and master 0, 4, and 5 make simultaneous requests, they are serviced in the order: 4 then 5 then 0.

The round-robin arbitration mode generally provides a more fair allocation of the available slave-port bandwidth (compared to fixed priority) as the fixed master priority does not affect the master selection.

17.5 Initialization/application information

No initialization is required for the crossbar switch.

See the AXBS section of the configuration chapter for the reset state of the arbitration scheme.

Chapter 18

Low-Leakage Wakeup Unit (LLWU)

18.1 LLWU interrupt

The interrupt requests of external sources and internal peripherals are used in wakeup.

NOTE

Do not mask the LLWU interrupt when in LLS/VLLSx mode. Masking the interrupt prevents the device from exiting stop mode when a wakeup is detected.

18.1.1 Wake-up Sources

The device uses the following internal peripheral and external pin inputs as wakeup sources to the LLWU module. LLWU_Px are external pin inputs, and LLWU_M0IF-M7IF are connections to the internal peripheral interrupt flags.

NOTE

In addition to the LLWU wakeup sources, the device also wakes from low power modes when NMI or RESET pins are enabled and the respective pin is asserted.

Table 18-1. Wakeup Source

LLWU pin	Module source or pin name
LLWU_P5	PTB0
LLWU_P6	PTC1
LLWU_P7	PTC3
LLWU_P8	PTC4
LLWU_P9	PTC5
LLWU_P10	PTC6
LLWU_P14	PTD4
LLWU_P15	PTD6

Table continues on the next page...

Table 18-1. Wakeup Source (continued)

LLWU pin	Module source or pin name
LLWU_M0IF	LPTMR0
LLWU_M1IF	CMP0
LLWU_M2IF	Reserved
LLWU_M3IF	Reserved
LLWU_M4IF	Reserved
LLWU_M5IF	RTC Alarm
LLWU_M6IF	Reserved
LLWU_M7IF	RTC Seconds

18.2 Introduction

The LLWU module allows the user to select up to 16 external pins and up to 8 internal modules as interrupt wake-up sources from low-leakage power modes.

The input sources are described in the device's chip configuration details. Each of the available wake-up sources can be individually enabled.

The RESET pin is an additional source for triggering an exit from low-leakage power modes, and causes the MCU to exit both LLS and VLLS through a reset flow.

The LLWU module also includes two optional digital pin filters for the external wakeup pins.

See [AN4503: Power Management for Kinetis MCUs](#) for further details on using the LLWU.

18.2.1 Features

The LLWU module features include:

- Support for up to 16 external input pins and up to 8 internal modules with individual enable bits for MCU interrupt from low leakage modes
- Input sources may be external pins or from internal peripherals capable of running in LLS or VLLS. See the chip configuration information for wakeup input sources for this device.
- External pin wake-up inputs, each of which is programmable as falling-edge, rising-edge, or any change

- Wake-up inputs that are activated after MCU enters a low-leakage power mode
- Optional digital filters provided to qualify an external pin detect. Note that when the LPO clock is disabled, the filters are disabled and bypassed.

18.2.2 Modes of operation

The LLWU module becomes functional on entry into a low-leakage power mode. After recovery from LLS, the LLWU is immediately disabled. After recovery from VLLS, the LLWU continues to detect wake-up events until the user has acknowledged the wake-up via a write to PMC_REGSC[ACKISO].

18.2.2.1 LLS mode

Wake-up events due to external pin inputs (LLWU_Px) and internal module interrupt inputs (LLWU_MxIF) result in an interrupt flow when exiting LLS.

NOTE

The LLWU interrupt must not be masked by the interrupt controller to avoid a scenario where the system does not fully exit Stop mode on an LLS recovery.

18.2.2.2 VLLS modes

All wakeup and reset events result in VLLS exit via a reset flow.

18.2.2.3 Non-low leakage modes

The LLWU is not active in all non-low leakage modes where detection and control logic are in a static state. The LLWU registers are accessible in non-low leakage modes and are available for configuring and reading status when bus transactions are possible.

When the wake-up pin filters are enabled, filter operation begins immediately. If a low leakage mode is entered within five LPO clock cycles of an active edge, the edge event will be detected by the LLWU.

18.2.2.4 Debug mode

When the chip is in Debug mode and then enters LLS or a VLLSx mode, no debug logic works in the fully-functional low-leakage mode. Upon an exit from the LLS or VLLSx mode, the LLWU becomes inactive.

18.2.3 Block diagram

The following figure is the block diagram for the LLWU module.

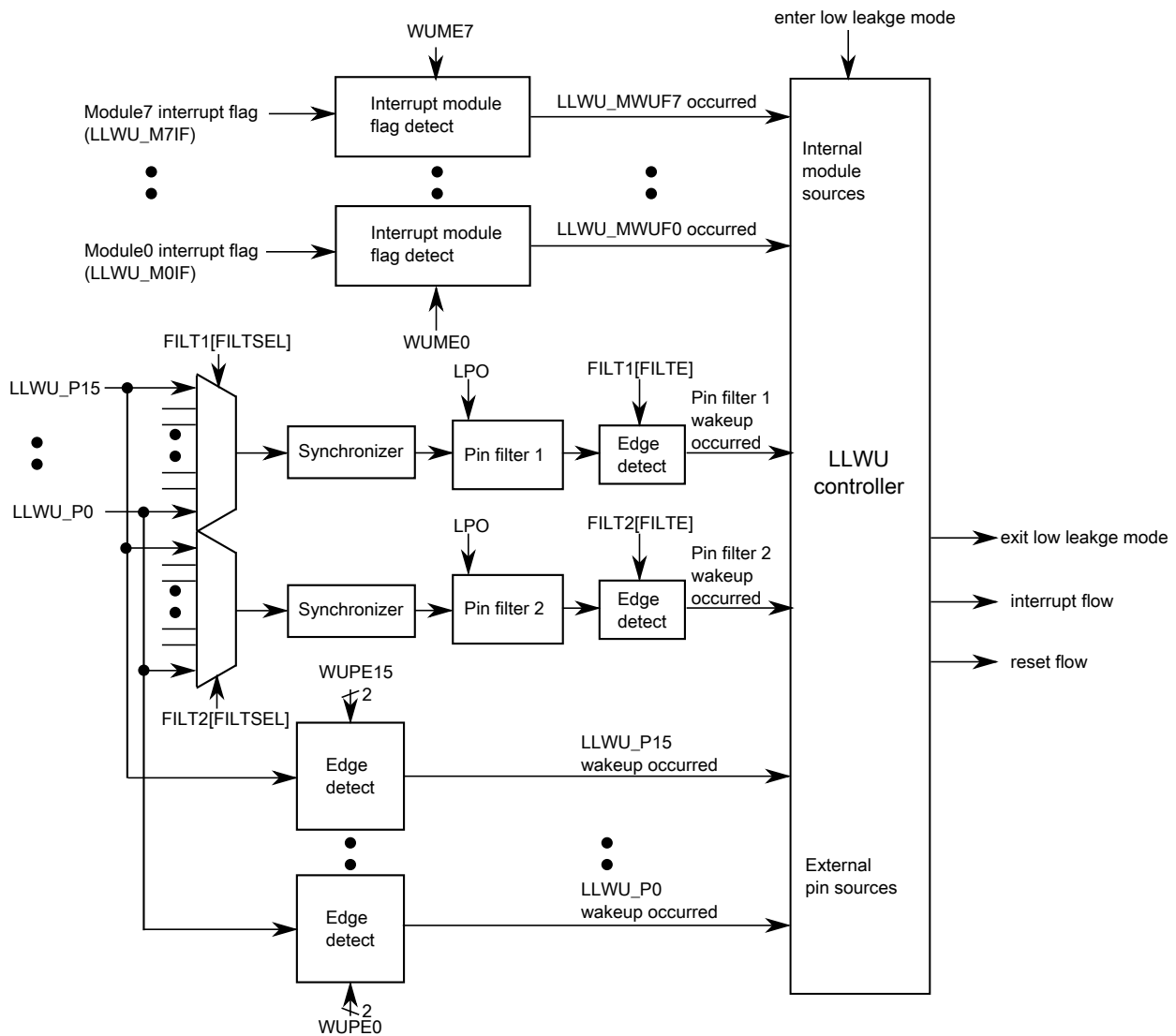


Figure 18-1. LLWU block diagram

18.3 LLWU signal descriptions

The signal properties of LLWU are shown in the table found here.

The external wakeup input pins can be enabled to detect either rising-edge, falling-edge, or on any change.

Table 18-2. LLWU signal descriptions

Signal	Description	I/O
LLWU_Pn	Wakeup inputs (n = 0-15)	I

18.4 Memory map/register definition

The LLWU includes the following registers:

- Wake-up source enable registers
 - Enable external pin input sources
 - Enable internal peripheral interrupt sources
- Wake-up flag registers
 - Indication of wakeup source that caused exit from a low-leakage power mode includes external pin or internal module interrupt
- Wake-up pin filter enable registers

NOTE

The LLWU registers can be written only in supervisor mode. Write accesses in user mode are blocked and will result in a bus error.

All LLWU registers are reset by Chip Reset not VLLS and by reset types that trigger Chip Reset not VLLS. Each register's displayed reset value represents this subset of reset types. LLWU registers are unaffected by reset types that do not trigger Chip Reset not VLLS. For more information about the types of reset on this chip, refer to the [Introduction](#) details.

LLWU memory map

Absolute address (hex)	Register name	Width (in bits)	Access	Reset value	Section/page
4007_C000	LLWU Pin Enable 1 register (LLWU_PE1)	8	R/W	00h	18.4.1/276
4007_C001	LLWU Pin Enable 2 register (LLWU_PE2)	8	R/W	00h	18.4.2/277
4007_C002	LLWU Pin Enable 3 register (LLWU_PE3)	8	R/W	00h	18.4.3/278
4007_C003	LLWU Pin Enable 4 register (LLWU_PE4)	8	R/W	00h	18.4.4/279
4007_C004	LLWU Module Enable register (LLWU_ME)	8	R/W	00h	18.4.5/280
4007_C005	LLWU Flag 1 register (LLWU_F1)	8	R/W	00h	18.4.6/282
4007_C006	LLWU Flag 2 register (LLWU_F2)	8	R/W	00h	18.4.7/284
4007_C007	LLWU Flag 3 register (LLWU_F3)	8	R	00h	18.4.8/285
4007_C008	LLWU Pin Filter 1 register (LLWU_FILT1)	8	R/W	00h	18.4.9/287
4007_C009	LLWU Pin Filter 2 register (LLWU_FILT2)	8	R/W	00h	18.4.10/288

18.4.1 LLWU Pin Enable 1 register (LLWU_PE1)

LLWU_PE1 contains the field to enable and select the edge detect type for the external wakeup input pins LLWU_P3–LLWU_P0.

NOTE

This register is reset on Chip Reset not VLLS and by reset types that trigger Chip Reset not VLLS. It is unaffected by reset types that do not trigger Chip Reset not VLLS. See the [Introduction](#) details for more information.

Address: 4007_C000h base + 0h offset = 4007_C000h

Bit	7	6	5	4	3	2	1	0
Read	WUPE3		WUPE2		WUPE1		WUPE0	
Write								
Reset	0	0	0	0	0	0	0	0

LLWU_PE1 field descriptions

Field	Description
7–6 WUPE3	Wakeup Pin Enable For LLWU_P3 Enables and configures the edge detection for the wakeup pin. 00 External input pin disabled as wakeup input 01 External input pin enabled with rising edge detection 10 External input pin enabled with falling edge detection 11 External input pin enabled with any change detection
5–4 WUPE2	Wakeup Pin Enable For LLWU_P2 Enables and configures the edge detection for the wakeup pin.

Table continues on the next page...

LLWU_PE1 field descriptions (continued)

Field	Description
	00 External input pin disabled as wakeup input 01 External input pin enabled with rising edge detection 10 External input pin enabled with falling edge detection 11 External input pin enabled with any change detection
3–2 WUPE1	Wakeup Pin Enable For LLWU_P1 Enables and configures the edge detection for the wakeup pin. 00 External input pin disabled as wakeup input 01 External input pin enabled with rising edge detection 10 External input pin enabled with falling edge detection 11 External input pin enabled with any change detection
WUPE0	Wakeup Pin Enable For LLWU_P0 Enables and configures the edge detection for the wakeup pin. 00 External input pin disabled as wakeup input 01 External input pin enabled with rising edge detection 10 External input pin enabled with falling edge detection 11 External input pin enabled with any change detection

18.4.2 LLWU Pin Enable 2 register (LLWU_PE2)

LLWU_PE2 contains the field to enable and select the edge detect type for the external wakeup input pins LLWU_P7–LLWU_P4.

NOTE

This register is reset on Chip Reset not VLLS and by reset types that trigger Chip Reset not VLLS. It is unaffected by reset types that do not trigger Chip Reset not VLLS. See the [Introduction](#) details for more information.

Address: 4007_C000h base + 1h offset = 4007_C001h

Bit	7	6	5	4	3	2	1	0
Read	WUPE7		WUPE6		WUPE5		WUPE4	
Write								
Reset	0	0	0	0	0	0	0	0

LLWU_PE2 field descriptions

Field	Description
7–6 WUPE7	Wakeup Pin Enable For LLWU_P7 Enables and configures the edge detection for the wakeup pin. 00 External input pin disabled as wakeup input 01 External input pin enabled with rising edge detection

Table continues on the next page...

LLWU_PE2 field descriptions (continued)

Field	Description
	10 External input pin enabled with falling edge detection 11 External input pin enabled with any change detection
5-4 WUPE6	Wakeup Pin Enable For LLWU_P6 Enables and configures the edge detection for the wakeup pin. 00 External input pin disabled as wakeup input 01 External input pin enabled with rising edge detection 10 External input pin enabled with falling edge detection 11 External input pin enabled with any change detection
3-2 WUPE5	Wakeup Pin Enable For LLWU_P5 Enables and configures the edge detection for the wakeup pin. 00 External input pin disabled as wakeup input 01 External input pin enabled with rising edge detection 10 External input pin enabled with falling edge detection 11 External input pin enabled with any change detection
WUPE4	Wakeup Pin Enable For LLWU_P4 Enables and configures the edge detection for the wakeup pin. 00 External input pin disabled as wakeup input 01 External input pin enabled with rising edge detection 10 External input pin enabled with falling edge detection 11 External input pin enabled with any change detection

18.4.3 LLWU Pin Enable 3 register (LLWU_PE3)

LLWU_PE3 contains the field to enable and select the edge detect type for the external wakeup input pins LLWU_P11–LLWU_P8.

NOTE

This register is reset on Chip Reset not VLLS and by reset types that trigger Chip Reset not VLLS. It is unaffected by reset types that do not trigger Chip Reset not VLLS. See the [Introduction](#) details for more information.

Address: 4007_C000h base + 2h offset = 4007_C002h

Bit	7	6	5	4	3	2	1	0
Read	WUPE11		WUPE10		WUPE9		WUPE8	
Write								
Reset	0	0	0	0	0	0	0	0

LLWU_PE3 field descriptions

Field	Description
7–6 WUPE11	<p>Wakeup Pin Enable For LLWU_P11</p> <p>Enables and configures the edge detection for the wakeup pin.</p> <p>00 External input pin disabled as wakeup input 01 External input pin enabled with rising edge detection 10 External input pin enabled with falling edge detection 11 External input pin enabled with any change detection</p>
5–4 WUPE10	<p>Wakeup Pin Enable For LLWU_P10</p> <p>Enables and configures the edge detection for the wakeup pin.</p> <p>00 External input pin disabled as wakeup input 01 External input pin enabled with rising edge detection 10 External input pin enabled with falling edge detection 11 External input pin enabled with any change detection</p>
3–2 WUPE9	<p>Wakeup Pin Enable For LLWU_P9</p> <p>Enables and configures the edge detection for the wakeup pin.</p> <p>00 External input pin disabled as wakeup input 01 External input pin enabled with rising edge detection 10 External input pin enabled with falling edge detection 11 External input pin enabled with any change detection</p>
WUPE8	<p>Wakeup Pin Enable For LLWU_P8</p> <p>Enables and configures the edge detection for the wakeup pin.</p> <p>00 External input pin disabled as wakeup input 01 External input pin enabled with rising edge detection 10 External input pin enabled with falling edge detection 11 External input pin enabled with any change detection</p>

18.4.4 LLWU Pin Enable 4 register (LLWU_PE4)

LLWU_PE4 contains the field to enable and select the edge detect type for the external wakeup input pins LLWU_P15–LLWU_P12.

NOTE

This register is reset on Chip Reset not VLLS and by reset types that trigger Chip Reset not VLLS. It is unaffected by reset types that do not trigger Chip Reset not VLLS. See the [Introduction](#) details for more information.

Memory map/register definition

Address: 4007_C000h base + 3h offset = 4007_C003h

Bit	7	6	5	4	3	2	1	0
Read	WUPE15		WUPE14		WUPE13		WUPE12	
Write								
Reset	0	0	0	0	0	0	0	0

LLWU_PE4 field descriptions

Field	Description
7-6 WUPE15	<p>Wakeup Pin Enable For LLWU_P15</p> <p>Enables and configures the edge detection for the wakeup pin.</p> <p>00 External input pin disabled as wakeup input 01 External input pin enabled with rising edge detection 10 External input pin enabled with falling edge detection 11 External input pin enabled with any change detection</p>
5-4 WUPE14	<p>Wakeup Pin Enable For LLWU_P14</p> <p>Enables and configures the edge detection for the wakeup pin.</p> <p>00 External input pin disabled as wakeup input 01 External input pin enabled with rising edge detection 10 External input pin enabled with falling edge detection 11 External input pin enabled with any change detection</p>
3-2 WUPE13	<p>Wakeup Pin Enable For LLWU_P13</p> <p>Enables and configures the edge detection for the wakeup pin.</p> <p>00 External input pin disabled as wakeup input 01 External input pin enabled with rising edge detection 10 External input pin enabled with falling edge detection 11 External input pin enabled with any change detection</p>
WUPE12	<p>Wakeup Pin Enable For LLWU_P12</p> <p>Enables and configures the edge detection for the wakeup pin.</p> <p>00 External input pin disabled as wakeup input 01 External input pin enabled with rising edge detection 10 External input pin enabled with falling edge detection 11 External input pin enabled with any change detection</p>

18.4.5 LLWU Module Enable register (LLWU_ME)

LLWU_ME contains the bits to enable the internal module flag as a wakeup input source for inputs MWUF7–MWUF0.

NOTE

This register is reset on Chip Reset not VLLS and by reset types that trigger Chip Reset not VLLS. It is unaffected by reset

types that do not trigger Chip Reset not VLLS. See the [Introduction](#) details for more information.

Address: 4007_C000h base + 4h offset = 4007_C004h

Bit	7	6	5	4	3	2	1	0
Read	WUME7	WUME6	WUME5	WUME4	WUME3	WUME2	WUME1	WUME0
Write								
Reset	0	0	0	0	0	0	0	0

LLWU_ME field descriptions

Field	Description
7 WUME7	<p>Wakeup Module Enable For Module 7</p> <p>Enables an internal module as a wakeup source input.</p> <p>0 Internal module flag not used as wakeup source 1 Internal module flag used as wakeup source</p>
6 WUME6	<p>Wakeup Module Enable For Module 6</p> <p>Enables an internal module as a wakeup source input.</p> <p>0 Internal module flag not used as wakeup source 1 Internal module flag used as wakeup source</p>
5 WUME5	<p>Wakeup Module Enable For Module 5</p> <p>Enables an internal module as a wakeup source input.</p> <p>0 Internal module flag not used as wakeup source 1 Internal module flag used as wakeup source</p>
4 WUME4	<p>Wakeup Module Enable For Module 4</p> <p>Enables an internal module as a wakeup source input.</p> <p>0 Internal module flag not used as wakeup source 1 Internal module flag used as wakeup source</p>
3 WUME3	<p>Wakeup Module Enable For Module 3</p> <p>Enables an internal module as a wakeup source input.</p> <p>0 Internal module flag not used as wakeup source 1 Internal module flag used as wakeup source</p>
2 WUME2	<p>Wakeup Module Enable For Module 2</p> <p>Enables an internal module as a wakeup source input.</p> <p>0 Internal module flag not used as wakeup source 1 Internal module flag used as wakeup source</p>
1 WUME1	<p>Wakeup Module Enable for Module 1</p> <p>Enables an internal module as a wakeup source input.</p> <p>0 Internal module flag not used as wakeup source 1 Internal module flag used as wakeup source</p>

Table continues on the next page...

LLWU_ME field descriptions (continued)

Field	Description
0 WUME0	Wakeup Module Enable For Module 0 Enables an internal module as a wakeup source input. 0 Internal module flag not used as wakeup source 1 Internal module flag used as wakeup source

18.4.6 LLWU Flag 1 register (LLWU_F1)

LLWU_F1 contains the wakeup flags indicating which wakeup source caused the MCU to exit LLS or VLLS mode. For LLS, this is the source causing the CPU interrupt flow. For VLLS, this is the source causing the MCU reset flow.

The external wakeup flags are read-only and clearing a flag is accomplished by a write of a 1 to the corresponding WUFx bit. The wakeup flag (WUFx), if set, will remain set if the associated WUPEx bit is cleared.

NOTE

This register is reset on Chip Reset not VLLS and by reset types that trigger Chip Reset not VLLS. It is unaffected by reset types that do not trigger Chip Reset not VLLS. See the [Introduction](#) details for more information.

Address: 4007_C000h base + 5h offset = 4007_C005h

Bit	7	6	5	4	3	2	1	0
Read	WUF7	WUF6	WUF5	WUF4	WUF3	WUF2	WUF1	WUF0
Write	w1c	w1c	w1c	w1c	w1c	w1c	w1c	w1c
Reset	0	0	0	0	0	0	0	0

LLWU_F1 field descriptions

Field	Description
7 WUF7	Wakeup Flag For LLWU_P7 Indicates that an enabled external wakeup pin was a source of exiting a low-leakage power mode. To clear the flag, write a 1 to WUF7. 0 LLWU_P7 input was not a wakeup source 1 LLWU_P7 input was a wakeup source
6 WUF6	Wakeup Flag For LLWU_P6 Indicates that an enabled external wakeup pin was a source of exiting a low-leakage power mode. To clear the flag, write a 1 to WUF6.

Table continues on the next page...

LLWU_F1 field descriptions (continued)

Field	Description
	0 LLWU_P6 input was not a wakeup source 1 LLWU_P6 input was a wakeup source
5 WUF5	Wakeup Flag For LLWU_P5 Indicates that an enabled external wakeup pin was a source of exiting a low-leakage power mode. To clear the flag, write a 1 to WUF5. 0 LLWU_P5 input was not a wakeup source 1 LLWU_P5 input was a wakeup source
4 WUF4	Wakeup Flag For LLWU_P4 Indicates that an enabled external wake-up pin was a source of exiting a low-leakage power mode. To clear the flag, write a 1 to WUF4. 0 LLWU_P4 input was not a wakeup source 1 LLWU_P4 input was a wakeup source
3 WUF3	Wakeup Flag For LLWU_P3 Indicates that an enabled external wakeup pin was a source of exiting a low-leakage power mode. To clear the flag, write a 1 to WUF3. 0 LLWU_P3 input was not a wake-up source 1 LLWU_P3 input was a wake-up source
2 WUF2	Wakeup Flag For LLWU_P2 Indicates that an enabled external wakeup pin was a source of exiting a low-leakage power mode. To clear the flag, write a 1 to WUF2. 0 LLWU_P2 input was not a wakeup source 1 LLWU_P2 input was a wakeup source
1 WUF1	Wakeup Flag For LLWU_P1 Indicates that an enabled external wakeup pin was a source of exiting a low-leakage power mode. To clear the flag, write a 1 to WUF1. 0 LLWU_P1 input was not a wakeup source 1 LLWU_P1 input was a wakeup source
0 WUF0	Wakeup Flag For LLWU_P0 Indicates that an enabled external wake-up pin was a source of exiting a low-leakage power mode. To clear the flag, write a 1 to WUF0. 0 LLWU_P0 input was not a wakeup source 1 LLWU_P0 input was a wakeup source

18.4.7 LLWU Flag 2 register (LLWU_F2)

LLWU_F2 contains the wakeup flags indicating which wakeup source caused the MCU to exit LLS or VLLS mode. For LLS, this is the source causing the CPU interrupt flow. For VLLS, this is the source causing the MCU reset flow.

The external wakeup flags are read-only and clearing a flag is accomplished by a write of a 1 to the corresponding WUFx bit. The wakeup flag (WUFx), if set, will remain set if the associated WUPEx bit is cleared.

NOTE

This register is reset on Chip Reset not VLLS and by reset types that trigger Chip Reset not VLLS. It is unaffected by reset types that do not trigger Chip Reset not VLLS. See the [Introduction](#) details for more information.

Address: 4007_C000h base + 6h offset = 4007_C006h

Bit	7	6	5	4	3	2	1	0
Read	WUF15	WUF14	WUF13	WUF12	WUF11	WUF10	WUF9	WUF8
Write	w1c	w1c	w1c	w1c	w1c	w1c	w1c	w1c
Reset	0	0	0	0	0	0	0	0

LLWU_F2 field descriptions

Field	Description
7 WUF15	<p>Wakeup Flag For LLWU_P15</p> <p>Indicates that an enabled external wakeup pin was a source of exiting a low-leakage power mode. To clear the flag, write a 1 to WUF15.</p> <p>0 LLWU_P15 input was not a wakeup source 1 LLWU_P15 input was a wakeup source</p>
6 WUF14	<p>Wakeup Flag For LLWU_P14</p> <p>Indicates that an enabled external wakeup pin was a source of exiting a low-leakage power mode. To clear the flag, write a 1 to WUF14.</p> <p>0 LLWU_P14 input was not a wakeup source 1 LLWU_P14 input was a wakeup source</p>
5 WUF13	<p>Wakeup Flag For LLWU_P13</p> <p>Indicates that an enabled external wakeup pin was a source of exiting a low-leakage power mode. To clear the flag, write a 1 to WUF13.</p> <p>0 LLWU_P13 input was not a wakeup source 1 LLWU_P13 input was a wakeup source</p>

Table continues on the next page...

LLWU_F2 field descriptions (continued)

Field	Description
4 WUF12	<p>Wakeup Flag For LLWU_P12</p> <p>Indicates that an enabled external wakeup pin was a source of exiting a low-leakage power mode. To clear the flag, write a 1 to WUF12.</p> <p>0 LLWU_P12 input was not a wakeup source 1 LLWU_P12 input was a wakeup source</p>
3 WUF11	<p>Wakeup Flag For LLWU_P11</p> <p>Indicates that an enabled external wakeup pin was a source of exiting a low-leakage power mode. To clear the flag, write a 1 to WUF11.</p> <p>0 LLWU_P11 input was not a wakeup source 1 LLWU_P11 input was a wakeup source</p>
2 WUF10	<p>Wakeup Flag For LLWU_P10</p> <p>Indicates that an enabled external wakeup pin was a source of exiting a low-leakage power mode. To clear the flag, write a 1 to WUF10.</p> <p>0 LLWU_P10 input was not a wakeup source 1 LLWU_P10 input was a wakeup source</p>
1 WUF9	<p>Wakeup Flag For LLWU_P9</p> <p>Indicates that an enabled external wakeup pin was a source of exiting a low-leakage power mode. To clear the flag, write a 1 to WUF9.</p> <p>0 LLWU_P9 input was not a wakeup source 1 LLWU_P9 input was a wakeup source</p>
0 WUF8	<p>Wakeup Flag For LLWU_P8</p> <p>Indicates that an enabled external wakeup pin was a source of exiting a low-leakage power mode. To clear the flag, write a 1 to WUF8.</p> <p>0 LLWU_P8 input was not a wakeup source 1 LLWU_P8 input was a wakeup source</p>

18.4.8 LLWU Flag 3 register (LLWU_F3)

LLWU_F3 contains the wakeup flags indicating which internal wakeup source caused the MCU to exit LLS or VLLS mode. For LLS, this is the source causing the CPU interrupt flow. For VLLS, this is the source causing the MCU reset flow.

For internal peripherals that are capable of running in a low-leakage power mode, such as a real time clock module or CMP module, the flag from the associated peripheral is accessible as the MWUFx bit. The flag will need to be cleared in the peripheral instead of writing a 1 to the MWUFx bit.

NOTE

This register is reset on Chip Reset not VLLS and by reset types that trigger Chip Reset not VLLS. It is unaffected by reset types that do not trigger Chip Reset not VLLS. See the [Introduction](#) details for more information.

Address: 4007_C000h base + 7h offset = 4007_C007h

Bit	7	6	5	4	3	2	1	0
Read	MWUF7	MWUF6	MWUF5	MWUF4	MWUF3	MWUF2	MWUF1	MWUF0
Write								
Reset	0	0	0	0	0	0	0	0

LLWU_F3 field descriptions

Field	Description
7 MWUF7	<p>Wakeup flag For module 7</p> <p>Indicates that an enabled internal peripheral was a source of exiting a low-leakage power mode. To clear the flag, follow the internal peripheral flag clearing mechanism.</p> <p>0 Module 7 input was not a wakeup source 1 Module 7 input was a wakeup source</p>
6 MWUF6	<p>Wakeup flag For module 6</p> <p>Indicates that an enabled internal peripheral was a source of exiting a low-leakage power mode. To clear the flag, follow the internal peripheral flag clearing mechanism.</p> <p>0 Module 6 input was not a wakeup source 1 Module 6 input was a wakeup source</p>
5 MWUF5	<p>Wakeup flag For module 5</p> <p>Indicates that an enabled internal peripheral was a source of exiting a low-leakage power mode. To clear the flag, follow the internal peripheral flag clearing mechanism.</p> <p>0 Module 5 input was not a wakeup source 1 Module 5 input was a wakeup source</p>
4 MWUF4	<p>Wakeup flag For module 4</p> <p>Indicates that an enabled internal peripheral was a source of exiting a low-leakage power mode. To clear the flag, follow the internal peripheral flag clearing mechanism.</p> <p>0 Module 4 input was not a wakeup source 1 Module 4 input was a wakeup source</p>
3 MWUF3	<p>Wakeup flag For module 3</p> <p>Indicates that an enabled internal peripheral was a source of exiting a low-leakage power mode. To clear the flag, follow the internal peripheral flag clearing mechanism.</p> <p>0 Module 3 input was not a wakeup source 1 Module 3 input was a wakeup source</p>
2 MWUF2	<p>Wakeup flag For module 2</p>

Table continues on the next page...

LLWU_F3 field descriptions (continued)

Field	Description
	Indicates that an enabled internal peripheral was a source of exiting a low-leakage power mode. To clear the flag, follow the internal peripheral flag clearing mechanism. 0 Module 2 input was not a wakeup source 1 Module 2 input was a wakeup source
1 MWUF1	Wakeup flag For module 1 Indicates that an enabled internal peripheral was a source of exiting a low-leakage power mode. To clear the flag, follow the internal peripheral flag clearing mechanism. 0 Module 1 input was not a wakeup source 1 Module 1 input was a wakeup source
0 MWUF0	Wakeup flag For module 0 Indicates that an enabled internal peripheral was a source of exiting a low-leakage power mode. To clear the flag, follow the internal peripheral flag clearing mechanism. 0 Module 0 input was not a wakeup source 1 Module 0 input was a wakeup source

18.4.9 LLWU Pin Filter 1 register (LLWU_FILT1)

LLWU_FILT1 is a control and status register that is used to enable/disable the digital filter 1 features for an external pin.

NOTE

This register is reset on Chip Reset not VLLS and by reset types that trigger Chip Reset not VLLS. It is unaffected by reset types that do not trigger Chip Reset not VLLS. See the [Introduction](#) details for more information.

Address: 4007_C000h base + 8h offset = 4007_C008h

Bit	7	6	5	4	3	2	1	0
Read	FILTF	FILTE			0	FILTSEL		
Write	w1c							
Reset	0	0	0	0	0	0	0	0

LLWU_FILT1 field descriptions

Field	Description
7 FILTF	Filter Detect Flag Indicates that the filtered external wakeup pin, selected by FILTSEL, was a source of exiting a low-leakage power mode. To clear the flag write a one to FILTF.

Table continues on the next page...

LLWU_FILT1 field descriptions (continued)

Field	Description
	0 Pin Filter 1 was not a wakeup source 1 Pin Filter 1 was a wakeup source
6–5 FILTE	Digital Filter On External Pin Controls the digital filter options for the external pin detect. 00 Filter disabled 01 Filter posedge detect enabled 10 Filter negedge detect enabled 11 Filter any edge detect enabled
4 Reserved	This field is reserved. This read-only field is reserved and always has the value 0.
FILTSEL	Filter Pin Select Selects 1 out of the 16 wakeup pins to be muxed into the filter. 0000 Select LLWU_P0 for filter 1111 Select LLWU_P15 for filter

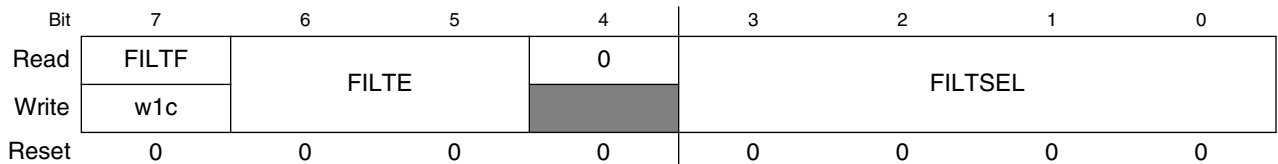
18.4.10 LLWU Pin Filter 2 register (LLWU_FILT2)

LLWU_FILT2 is a control and status register that is used to enable/disable the digital filter 2 features for an external pin.

NOTE

This register is reset on Chip Reset not VLLS and by reset types that trigger Chip Reset not VLLS. It is unaffected by reset types that do not trigger Chip Reset not VLLS. See the [Introduction](#) details for more information.

Address: 4007_C000h base + 9h offset = 4007_C009h



LLWU_FILT2 field descriptions

Field	Description
7 FILTF	Filter Detect Flag Indicates that the filtered external wakeup pin, selected by FILTSEL, was a source of exiting a low-leakage power mode. To clear the flag write a one to FILTF.

Table continues on the next page...

LLWU_FILT2 field descriptions (continued)

Field	Description
	0 Pin Filter 2 was not a wakeup source 1 Pin Filter 2 was a wakeup source
6–5 FILTE	Digital Filter On External Pin Controls the digital filter options for the external pin detect. 00 Filter disabled 01 Filter posedge detect enabled 10 Filter negedge detect enabled 11 Filter any edge detect enabled
4 Reserved	This field is reserved. This read-only field is reserved and always has the value 0.
FILTSEL	Filter Pin Select Selects 1 out of the 16 wakeup pins to be muxed into the filter. 0000 Select LLWU_P0 for filter 1111 Select LLWU_P15 for filter

18.5 Functional description

This low-leakage wakeup unit (LLWU) module allows internal peripherals and external input pins as a source of wakeup from low-leakage modes.

It is operational only in LLS and VLLSx modes.

The LLWU module contains pin enables for each external pin and internal module. For each external pin, the user can disable or select the edge type for the wakeup with the following options:

- Falling-edge
- Rising-edge
- Either-edge

When an external pin is enabled as a wakeup source, the pin must be configured as an input pin.

The LLWU implements optional 3-cycle glitch filters, based on the LPO clock. A detected external pin is required to remain asserted until the enabled glitch filter times out. Additional latency of up to 2 cycles is due to synchronization, which results in a total of up to 5 cycles of delay before the detect circuit alerts the system to the wakeup or reset event when the filter function is enabled. Two wakeup detect filters are available for selected external pins. Glitch filtering is not provided on the internal modules.

For internal module interrupts, the WUMEx bit enables the associated module interrupt as a wakeup source.

18.5.1 LLS mode

Wakeup events triggered from either an external pin input or an internal module interrupt, result in a CPU interrupt flow to begin user code execution.

18.5.2 VLLS modes

For any wakeup from VLLS, recovery is always via a reset flow and RCM_SRS[WAKEUP] is set indicating the low-leakage mode was active. State retention data is lost and I/O will be restored after PMC_REGSC[ACKISO] has been written.

A VLLS exit event due to $\overline{\text{RESET}}$ pin assertion causes an exit via a system reset. State retention data is lost and the I/O states immediately return to their reset state. The RCM_SRS[WAKEUP] and RCM_SRS[PIN] bits are set and the system executes a reset flow before CPU operation begins with a reset vector fetch.

18.5.3 Initialization

For an enabled peripheral wakeup input, the peripheral flag must be cleared by software before entering LLS or VLLSx mode to avoid an immediate exit from the mode.

Flags associated with external input pins, filtered and unfiltered, must also be cleared by software prior to entry to LLS or VLLSx mode.

After enabling an external pin filter or changing the source pin, wait at least five LPO clock cycles before entering LLS or VLLSx mode to allow the filter to initialize.

NOTE

After recovering from a VLLS mode, user must restore chip configuration before clearing PMC_REGSC[ACKISO]. In particular, pin configuration for enabled LLWU wake-up pins must be restored to avoid any LLWU flag from being falsely set when PMC_REGSC[ACKISO] is cleared.

The signal selected as a wake-up source pin must be a digital pin, as selected in the pin mux control.

Chapter 19

Peripheral Bridge (AIPS-Lite)

19.1 Chip-specific AIPS-Lite information

19.1.1 Number of peripheral bridges

This device contains one peripheral bridge.

19.1.2 Memory maps

The peripheral bridges are used to access the registers of most of the modules on this device. See [AIPS0 Memory Map](#) for the memory slot assignment for each module.

19.2 Introduction

The peripheral bridge converts the crossbar switch interface to an interface that can access most of the slave peripherals on this chip.

The peripheral bridge occupies 64 MB of the address space, which is divided into peripheral slots of 4 KB. (It might be possible that all the peripheral slots are not used. See the memory map chapter for details on slot assignments.) The bridge includes separate clock enable inputs for each of the slots to accommodate slower peripherals.

19.2.1 Features

Key features of the peripheral bridge are:

- Supports peripheral slots with 8-, 16-, and 32-bit datapath width

19.2.2 General operation

The slave devices connected to the peripheral bridge are modules which contain a programming model of control and status registers. The system masters read and write these registers through the peripheral bridge.

The register maps of the peripherals are located on 4-KB boundaries. Each peripheral is allocated one or more 4-KB block(s) of the memory map.

19.3 Memory map/register definition

AIPS memory map

Absolute address (hex)	Register name	Width (in bits)	Access	Reset value	Section/page
0	Master Privilege Register A (AIPS_MPRA)	32	R/W	See section	19.3.1/293
20	Peripheral Access Control Register (AIPS_PACRA)	32	R/W	See section	19.3.2/295
24	Peripheral Access Control Register (AIPS_PACRB)	32	R/W	See section	19.3.2/295
28	Peripheral Access Control Register (AIPS_PACRC)	32	R/W	See section	19.3.2/295
2C	Peripheral Access Control Register (AIPS_PACRD)	32	R/W	See section	19.3.2/295
40	Off-Platform Peripheral Access Control Register (AIPS_OPACRA)	32	R/W	See section	19.3.3/300
44	Off-Platform Peripheral Access Control Register (AIPS_OPACRB)	32	R/W	See section	19.3.3/300
48	Off-Platform Peripheral Access Control Register (AIPS_OPACRC)	32	R/W	See section	19.3.3/300
4C	Off-Platform Peripheral Access Control Register (AIPS_OPACRD)	32	R/W	See section	19.3.3/300
50	Off-Platform Peripheral Access Control Register (AIPS_OPACRE)	32	R/W	See section	19.3.3/300
54	Off-Platform Peripheral Access Control Register (AIPS_OPACRF)	32	R/W	See section	19.3.3/300
58	Off-Platform Peripheral Access Control Register (AIPS_OPACRG)	32	R/W	See section	19.3.3/300
5C	Off-Platform Peripheral Access Control Register (AIPS_OPACRH)	32	R/W	See section	19.3.3/300
60	Off-Platform Peripheral Access Control Register (AIPS_OPACRI)	32	R/W	See section	19.3.3/300
64	Off-Platform Peripheral Access Control Register (AIPS_OPACRJ)	32	R/W	See section	19.3.3/300
68	Off-Platform Peripheral Access Control Register (AIPS_OPACRK)	32	R/W	See section	19.3.3/300
6C	Off-Platform Peripheral Access Control Register (AIPS_OPACRL)	32	R/W	See section	19.3.3/300

19.3.1 Master Privilege Register A (AIPS_MPRA)

The MPRA specifies identical 4-bit fields defining the access-privilege level associated with a bus master to various peripherals on the chip. The register provides one field per bus master.

NOTE

At reset, the default value loaded into the MPRA fields is chip-specific. See the chip configuration details for the value of a particular device.

A register field that maps to an unimplemented master or peripheral behaves as read-only-zero.

Each master is assigned a logical ID from 0 to 15. See the master logical ID assignment table in the chip-specific AIPS information.

Address: 0h base + 0h offset = 0h

Bit	31	30	29	28	27	26	25	24	23	22	21	20	19	18	17	16
R	0	MTR0	MTW0	MPL0	0	MTR2	MTW2	MPL2	0	MTR3	MTW3	MPL3				
W																
Reset	0*	0*	0*	0*	0*	0*	0*	0*	0*	0*	0*	0*	0*	0*	0*	0*
Bit	15	14	13	12	11	10	9	8	7	6	5	4	3	2	1	0
R																
W																
Reset	0*	0*	0*	0*	0*	0*	0*	0*	0*	0*	0*	0*	0*	0*	0*	0*

* Notes:

- The reset value is chip-dependent and can be found in the chip-specific AIPS information.

AIPS_MPRA field descriptions

Field	Description
31 Reserved	This field is reserved. This read-only field is reserved and always has the value 0.
30 MTR0	Master 0 Trusted For Read Determines whether the master is trusted for read accesses. 0 This master is not trusted for read accesses. 1 This master is trusted for read accesses.

Table continues on the next page...

AIPS_MPRA field descriptions (continued)

Field	Description
29 MTW0	<p>Master 0 Trusted For Writes</p> <p>Determines whether the master is trusted for write accesses.</p> <p>0 This master is not trusted for write accesses. 1 This master is trusted for write accesses.</p>
28 MPL0	<p>Master 0 Privilege Level</p> <p>Specifies how the privilege level of the master is determined.</p> <p>0 Accesses from this master are forced to user-mode. 1 Accesses from this master are not forced to user-mode.</p>
23 Reserved	<p>This field is reserved. This read-only field is reserved and always has the value 0.</p>
22 MTR2	<p>Master 2 Trusted For Read</p> <p>Determines whether the master is trusted for read accesses.</p> <p>0 This master is not trusted for read accesses. 1 This master is trusted for read accesses.</p>
21 MTW2	<p>Master 2 Trusted For Writes</p> <p>Determines whether the master is trusted for write accesses.</p> <p>0 This master is not trusted for write accesses. 1 This master is trusted for write accesses.</p>
20 MPL2	<p>Master 2 Privilege Level</p> <p>Specifies how the privilege level of the master is determined.</p> <p>0 Accesses from this master are forced to user-mode. 1 Accesses from this master are not forced to user-mode.</p>
19 Reserved	<p>This field is reserved. This read-only field is reserved and always has the value 0.</p>
18 MTR3	<p>Master 3 Trusted For Read</p> <p>Determines whether the master is trusted for read accesses.</p> <p>0 This master is not trusted for read accesses. 1 This master is trusted for read accesses.</p>
17 MTW3	<p>Master 3 Trusted For Writes</p> <p>Determines whether the master is trusted for write accesses.</p> <p>0 This master is not trusted for write accesses. 1 This master is trusted for write accesses.</p>
16 MPL3	<p>Master 3 Privilege Level</p> <p>Specifies how the privilege level of the master is determined.</p> <p>0 Accesses from this master are forced to user-mode. 1 Accesses from this master are not forced to user-mode.</p>

19.3.2 Peripheral Access Control Register (AIPS_PACR_n)

Each PACR register consists of eight 4-bit PACR fields. Each PACR field defines the access levels for a particular on-platform peripheral. The peripheral assignment to each PACR field is defined by the memory map slot of the peripheral. See the chip-specific AIPS information for the field assignment of a particular peripheral.

Every PACR field to which no peripheral is assigned is reserved. Reads to reserved locations return zeros, and writes are ignored.

The following table shows the location of each peripheral slot's PACR field in the PACR registers.

Offset	Register	[31:28]	[27:24]	[23:20]	[19:16]	[15:12]	[11:8]	[7:4]	[3:0]
0x20	PACRA	PACR0	PACR1	PACR2	PACR3	PACR4	PACR5	PACR6	PACR7
0x24	PACRB	PACR8	PACR9	PACR10	PACR11	PACR12	PACR13	PACR14	PACR15
0x28	PACRC	PACR16	PACR17	PACR18	PACR19	PACR20	PACR21	PACR22	PACR23
0x2C	PACRD	PACR24	PACR25	PACR26	PACR27	PACR28	PACR29	PACR30	PACR31

Address: 0h base + 20h offset + (4d × i), where i=0d to 3d

Bit	31	30	29	28	27	26	25	24	23	22	21	20	19	18	17	16
R	0	SP0	WP0	TP0	0	SP1	WP1	TP1	0	SP2	WP2	TP2	0	SP3	WP3	TP3
W																
Reset	0*	0*	0*	0*	0*	0*	0*	0*	0*	0*	0*	0*	0*	0*	0*	0*
Bit	15	14	13	12	11	10	9	8	7	6	5	4	3	2	1	0
R	0	SP4	WP4	TP4	0	SP5	WP5	TP5	0	SP6	WP6	TP6	0	SP7	WP7	TP7
W																
Reset	0*	0*	0*	0*	0*	0*	0*	0*	0*	0*	0*	0*	0*	0*	0*	0*

* Notes:

- The reset value is chip-dependent and can be found in the AIPS chip-specific information.

AIPS_PACR_n field descriptions

Field	Description
31 Reserved	This field is reserved. This read-only field is reserved and always has the value 0.
30 SP0	Supervisor Protect Determines whether the peripheral requires supervisor privilege level for accesses. When this field is set, the master privilege level must indicate the supervisor access attribute, and the MPR _x [MPL _n] control field for the master must be set. If not, access terminates with an error response and no peripheral access initiates.

Table continues on the next page...

AIPS_PACR_n field descriptions (continued)

Field	Description
	0 This peripheral does not require supervisor privilege level for accesses. 1 This peripheral requires supervisor privilege level for accesses.
29 WP0	Write Protect Determines whether the peripheral allows write accesses. When this bit is set and a write access is attempted, access terminates with an error response and no peripheral access initiates. 0 This peripheral allows write accesses. 1 This peripheral is write protected.
28 TP0	Trusted Protect Determines whether the peripheral allows accesses from an untrusted master. When this field is set and an access is attempted by an untrusted master, the access terminates with an error response and no peripheral access initiates. 0 Accesses from an untrusted master are allowed. 1 Accesses from an untrusted master are not allowed.
27 Reserved	This field is reserved. This read-only field is reserved and always has the value 0.
26 SP1	Supervisor Protect Determines whether the peripheral requires supervisor privilege level for accesses. When this field is set, the master privilege level must indicate the supervisor access attribute, and the MPRx[MPL _n] control field for the master must be set. If not, access terminates with an error response and no peripheral access initiates. 0 This peripheral does not require supervisor privilege level for accesses. 1 This peripheral requires supervisor privilege level for accesses.
25 WP1	Write Protect Determines whether the peripheral allows write accesses. When this field is set and a write access is attempted, access terminates with an error response and no peripheral access initiates. 0 This peripheral allows write accesses. 1 This peripheral is write protected.
24 TP1	Trusted Protect Determines whether the peripheral allows accesses from an untrusted master. When this bit is set and an access is attempted by an untrusted master, the access terminates with an error response and no peripheral access initiates. 0 Accesses from an untrusted master are allowed. 1 Accesses from an untrusted master are not allowed.
23 Reserved	This field is reserved. This read-only field is reserved and always has the value 0.
22 SP2	Supervisor Protect Determines whether the peripheral requires supervisor privilege level for accesses. When this field is set, the master privilege level must indicate the supervisor access attribute, and the MPRx[MPL _n] control field for the master must be set. If not, access terminates with an error response and no peripheral access initiates.

Table continues on the next page...

AIPS_PACR_n field descriptions (continued)

Field	Description
	<p>0 This peripheral does not require supervisor privilege level for accesses.</p> <p>1 This peripheral requires supervisor privilege level for accesses.</p>
21 WP2	<p>Write Protect</p> <p>Determines whether the peripheral allows write accesses. When this bit is set and a write access is attempted, access terminates with an error response and no peripheral access initiates.</p> <p>0 This peripheral allows write accesses.</p> <p>1 This peripheral is write protected.</p>
20 TP2	<p>Trusted Protect</p> <p>Determines whether the peripheral allows accesses from an untrusted master. When this field is set and an access is attempted by an untrusted master, the access terminates with an error response and no peripheral access initiates.</p> <p>0 Accesses from an untrusted master are allowed.</p> <p>1 Accesses from an untrusted master are not allowed.</p>
19 Reserved	<p>This field is reserved.</p> <p>This read-only field is reserved and always has the value 0.</p>
18 SP3	<p>Supervisor Protect</p> <p>Determines whether the peripheral requires supervisor privilege level for access. When this bit is set, the master privilege level must indicate the supervisor access attribute, and the MPR_x[MPL_n] control bit for the master must be set. If not, access terminates with an error response and no peripheral access initiates.</p> <p>0 This peripheral does not require supervisor privilege level for accesses.</p> <p>1 This peripheral requires supervisor privilege level for accesses.</p>
17 WP3	<p>Write Protect</p> <p>Determines whether the peripheral allows write accesses. When this field is set and a write access is attempted, access terminates with an error response and no peripheral access initiates.</p> <p>0 This peripheral allows write accesses.</p> <p>1 This peripheral is write protected.</p>
16 TP3	<p>Trusted Protect</p> <p>Determines whether the peripheral allows accesses from an untrusted master. When this bit is set and an access is attempted by an untrusted master, the access terminates with an error response and no peripheral access initiates.</p> <p>0 Accesses from an untrusted master are allowed.</p> <p>1 Accesses from an untrusted master are not allowed.</p>
15 Reserved	<p>This field is reserved.</p> <p>This read-only field is reserved and always has the value 0.</p>
14 SP4	<p>Supervisor Protect</p> <p>Determines whether the peripheral requires supervisor privilege level for accesses. When this field is set, the master privilege level must indicate the supervisor access attribute, and the MPR_x[MPL_n] control field for the master must be set. If not, access terminates with an error response and no peripheral access initiates.</p>

Table continues on the next page...

AIPS_PACR_n field descriptions (continued)

Field	Description
	0 This peripheral does not require supervisor privilege level for accesses. 1 This peripheral requires supervisor privilege level for accesses.
13 WP4	Write Protect Determines whether the peripheral allows write accesses. When this bit is set and a write access is attempted, access terminates with an error response and no peripheral access initiates. 0 This peripheral allows write accesses. 1 This peripheral is write protected.
12 TP4	Trusted Protect Determines whether the peripheral allows accesses from an untrusted master. When this field is set and an access is attempted by an untrusted master, the access terminates with an error response and no peripheral access initiates. 0 Accesses from an untrusted master are allowed. 1 Accesses from an untrusted master are not allowed.
11 Reserved	This field is reserved. This read-only field is reserved and always has the value 0.
10 SP5	Supervisor Protect Determines whether the peripheral requires supervisor privilege level for accesses. When this field is set, the master privilege level must indicate the supervisor access attribute, and the MPR _x [MPL _n] control field for the master must be set. If not, access terminates with an error response and no peripheral access initiates. 0 This peripheral does not require supervisor privilege level for accesses. 1 This peripheral requires supervisor privilege level for accesses.
9 WP5	Write Protect Determines whether the peripheral allows write accesses. When this field is set and a write access is attempted, access terminates with an error response and no peripheral access initiates. 0 This peripheral allows write accesses. 1 This peripheral is write protected.
8 TP5	Trusted Protect Determines whether the peripheral allows accesses from an untrusted master. When this field is set and an access is attempted by an untrusted master, the access terminates with an error response and no peripheral access initiates. 0 Accesses from an untrusted master are allowed. 1 Accesses from an untrusted master are not allowed.
7 Reserved	This field is reserved. This read-only field is reserved and always has the value 0.
6 SP6	Supervisor Protect Determines whether the peripheral requires supervisor privilege level for accesses. When this field is set, the master privilege level must indicate the supervisor access attribute, and the MPR _x [MPL _n] control field for the master must be set. If not, access terminates with an error response and no peripheral access initiates.

Table continues on the next page...

AIPS_PACR_n field descriptions (continued)

Field	Description
	0 This peripheral does not require supervisor privilege level for accesses. 1 This peripheral requires supervisor privilege level for accesses.
5 WP6	Write Protect Determines whether the peripheral allows write accesses. When this field is set and a write access is attempted, access terminates with an error response and no peripheral access initiates. 0 This peripheral allows write accesses. 1 This peripheral is write protected.
4 TP6	Trusted Protect Determines whether the peripheral allows accesses from an untrusted master. When this field is set and an access is attempted by an untrusted master, the access terminates with an error response and no peripheral access initiates. 0 Accesses from an untrusted master are allowed. 1 Accesses from an untrusted master are not allowed.
3 Reserved	This field is reserved. This read-only field is reserved and always has the value 0.
2 SP7	Supervisor Protect Determines whether the peripheral requires supervisor privilege level for accesses. When this field is set, the master privilege level must indicate the supervisor access attribute, and the MPR _x [MPL _n] control field for the master must be set. If not, access terminates with an error response and no peripheral access initiates. 0 This peripheral does not require supervisor privilege level for accesses. 1 This peripheral requires supervisor privilege level for accesses.
1 WP7	Write Protect Determines whether the peripheral allows write accesses. When this field is set and a write access is attempted, access terminates with an error response and no peripheral access initiates. 0 This peripheral allows write accesses. 1 This peripheral is write protected.
0 TP7	Trusted Protect Determines whether the peripheral allows accesses from an untrusted master. When this field is set and an access is attempted by an untrusted master, the access terminates with an error response and no peripheral access initiates. 0 Accesses from an untrusted master are allowed. 1 Accesses from an untrusted master are not allowed.

19.3.3 Off-Platform Peripheral Access Control Register (AIPS_OPACRn)

Each OPACR register consists of eight 4-bit OPACR fields. Each OPACR field defines the access levels for a particular off-platform peripheral. The peripheral assignment to each OPACR field is defined by the memory map slot of the peripheral. See the chip-specific AIPS information for the field assignment of a particular peripheral.

Every OPACR field to which no peripheral is assigned is reserved. Reads to reserved locations return zeros, and writes are ignored.

The following table shows the location of each peripheral slot's OPACR field in the OPACR registers.

Offset	Register	[31:28]	[27:24]	[23:20]	[19:16]	[15:12]	[11:8]	[7:4]	[3:0]
0x40	OPACRA	OPACR0	OPACR1	OPACR2	OPACR3	OPACR4	OPACR5	OPACR6	OPACR7
0x44	OPACRB	OPACR8	OPACR9	OPACR10	OPACR11	OPACR12	OPACR13	OPACR14	OPACR15
0x48	OPACRC	OPACR16	OPACR17	OPACR18	OPACR19	OPACR20	OPACR21	OPACR22	OPACR23
0x4C	OPACRD	OPACR24	OPACR25	OPACR26	OPACR27	OPACR28	OPACR29	OPACR30	OPACR31
0x50	OPACRE	OPACR32	OPACR33	OPACR34	OPACR35	OPACR36	OPACR37	OPACR38	OPACR39
0x54	OPACRF	OPACR40	OPACR41	OPACR42	OPACR43	OPACR44	OPACR45	OPACR46	OPACR47
0x58	OPACRG	OPACR48	OPACR49	OPACR50	OPACR51	OPACR52	OPACR53	OPACR54	OPACR55
0x5C	OPACRH	OPACR56	OPACR57	OPACR58	OPACR59	OPACR60	OPACR61	OPACR62	OPACR63
0x60	OPACRI	OPACR64	OPACR65	OPACR66	OPACR67	OPACR68	OPACR69	OPACR70	OPACR71
0x64	OPACRJ	OPACR72	OPACR73	OPACR74	OPACR75	OPACR76	OPACR77	OPACR78	OPACR79
0x68	OPACRK	OPACR80	OPACR81	OPACR82	OPACR83	OPACR84	OPACR85	OPACR86	OPACR87
0x6C	OPACRL	OPACR88	OPACR89	OPACR90	OPACR91	OPACR92	OPACR93	OPACR94	OPACR95

Address: 0h base + 40h offset + (4d × i), where i=0d to 11d

Bit	31	30	29	28	27	26	25	24	23	22	21	20	19	18	17	16
R	0	SP0	WP0	TP0	0	SP1	WP1	TP1	0	SP2	WP2	TP2	0	SP3	WP3	TP3
W																
Reset	0*	0*	0*	0*	0*	0*	0*	0*	0*	0*	0*	0*	0*	0*	0*	0*
Bit	15	14	13	12	11	10	9	8	7	6	5	4	3	2	1	0
R	0	SP4	WP4	TP4	0	SP5	WP5	TP5	0	SP6	WP6	TP6	0	SP7	WP7	TP7
W																
Reset	0*	0*	0*	0*	0*	0*	0*	0*	0*	0*	0*	0*	0*	0*	0*	0*

* Notes:

- The reset value is chip-dependent and can be found in the AIPS chip-specific information.

AIPS_OPACR n field descriptions

Field	Description
31 Reserved	This field is reserved. This read-only field is reserved and always has the value 0.
30 SP0	Supervisor Protect Determines whether the peripheral requires supervisor privilege level for accesses. When this field is set, the master privilege level must indicate the supervisor access attribute, and the MPRx[MPL n] control field for the master must be set. If not, access terminates with an error response and no peripheral access initiates. 0 This peripheral does not require supervisor privilege level for accesses. 1 This peripheral requires supervisor privilege level for accesses.
29 WP0	Write Protect Determines whether the peripheral allows write accesses. When this field is set and a write access is attempted, access terminates with an error response and no peripheral access initiates. 0 This peripheral allows write accesses. 1 This peripheral is write protected.
28 TP0	Trusted Protect Determines whether the peripheral allows accesses from an untrusted master. When this bit is set and an access is attempted by an untrusted master, the access terminates with an error response and no peripheral access initiates. 0 Accesses from an untrusted master are allowed. 1 Accesses from an untrusted master are not allowed.
27 Reserved	This field is reserved. This read-only field is reserved and always has the value 0.
26 SP1	Supervisor Protect Determines whether the peripheral requires supervisor privilege level for access. When this field is set, the master privilege level must indicate the supervisor access attribute, and the MPRx[MPL n] control field for the master must be set. If not, access terminates with an error response and no peripheral access initiates. 0 This peripheral does not require supervisor privilege level for accesses. 1 This peripheral requires supervisor privilege level for accesses.
25 WP1	Write Protect Determines whether the peripheral allows write accesses. When this field is set and a write access is attempted, access terminates with an error response and no peripheral access initiates. 0 This peripheral allows write accesses. 1 This peripheral is write protected.
24 TP1	Trusted Protect Determines whether the peripheral allows accesses from an untrusted master. When this field is set and an access is attempted by an untrusted master, the access terminates with an error response and no peripheral access initiates. 0 Accesses from an untrusted master are allowed. 1 Accesses from an untrusted master are not allowed.

Table continues on the next page...

AIPS_OPACR n field descriptions (continued)

Field	Description
23 Reserved	This field is reserved. This read-only field is reserved and always has the value 0.
22 SP2	Supervisor Protect Determines whether the peripheral requires supervisor privilege level for access. When this bit is set, the master privilege level must indicate the supervisor access attribute, and the MPRx[MPL n] control bit for the master must be set. If not, access terminates with an error response and no peripheral access initiates. 0 This peripheral does not require supervisor privilege level for accesses. 1 This peripheral requires supervisor privilege level for accesses.
21 WP2	Write Protect Determines whether the peripheral allows write accesses. When this field is set and a write access is attempted, access terminates with an error response and no peripheral access initiates. 0 This peripheral allows write accesses. 1 This peripheral is write protected.
20 TP2	Trusted Protect Determines whether the peripheral allows accesses from an untrusted master. When this bit is set and an access is attempted by an untrusted master, the access terminates with an error response and no peripheral access initiates. 0 Accesses from an untrusted master are allowed. 1 Accesses from an untrusted master are not allowed.
19 Reserved	This field is reserved. This read-only field is reserved and always has the value 0.
18 SP3	Supervisor Protect Determines whether the peripheral requires supervisor privilege level for accesses. When this field is set, the master privilege level must indicate the supervisor access attribute, and the MPRx[MPL n] control field for the master must be set. If not, access terminates with an error response and no peripheral access initiates. 0 This peripheral does not require supervisor privilege level for accesses. 1 This peripheral requires supervisor privilege level for accesses.
17 WP3	Write Protect Determines whether the peripheral allows write accesses. When this bit is set and a write access is attempted, access terminates with an error response and no peripheral access initiates. 0 This peripheral allows write accesses. 1 This peripheral is write protected.
16 TP3	Trusted Protect Determines whether the peripheral allows accesses from an untrusted master. When this field is set and an access is attempted by an untrusted master, the access terminates with an error response and no peripheral access initiates. 0 Accesses from an untrusted master are allowed. 1 Accesses from an untrusted master are not allowed.

Table continues on the next page...

AIPS_OPACR n field descriptions (continued)

Field	Description
15 Reserved	This field is reserved. This read-only field is reserved and always has the value 0.
14 SP4	Supervisor Protect Determines whether the peripheral requires supervisor privilege level for access. When this bit is set, the master privilege level must indicate the supervisor access attribute, and the MPRx[MPL n] control bit for the master must be set. If not, access terminates with an error response and no peripheral access initiates. 0 This peripheral does not require supervisor privilege level for accesses. 1 This peripheral requires supervisor privilege level for accesses.
13 WP4	Write Protect Determines whether the peripheral allows write accesses. When this field is set and a write access is attempted, access terminates with an error response and no peripheral access initiates. 0 This peripheral allows write accesses. 1 This peripheral is write protected.
12 TP4	Trusted Protect Determines whether the peripheral allows accesses from an untrusted master. When this bit is set and an access is attempted by an untrusted master, the access terminates with an error response and no peripheral access initiates. 0 Accesses from an untrusted master are allowed. 1 Accesses from an untrusted master are not allowed.
11 Reserved	This field is reserved. This read-only field is reserved and always has the value 0.
10 SP5	Supervisor Protect Determines whether the peripheral requires supervisor privilege level for accesses. When this field is set, the master privilege level must indicate the supervisor access attribute, and the MPRx[MPL n] control field for the master must be set. If not, access terminates with an error response and no peripheral access initiates. 0 This peripheral does not require supervisor privilege level for accesses. 1 This peripheral requires supervisor privilege level for accesses.
9 WP5	Write Protect Determines whether the peripheral allows write accesses. When this field is set and a write access is attempted, access terminates with an error response and no peripheral access initiates. 0 This peripheral allows write accesses. 1 This peripheral is write protected.
8 TP5	Trusted Protect Determines whether the peripheral allows accesses from an untrusted master. When this field is set and an access is attempted by an untrusted master, the access terminates with an error response and no peripheral access initiates. 0 Accesses from an untrusted master are allowed. 1 Accesses from an untrusted master are not allowed.

Table continues on the next page...

AIPS_OPACR_n field descriptions (continued)

Field	Description
7 Reserved	This field is reserved. This read-only field is reserved and always has the value 0.
6 SP6	Supervisor Protect Determines whether the peripheral requires supervisor privilege level for accesses. When this field is set, the master privilege level must indicate the supervisor access attribute, and the MPR _x [MPL _n] control field for the master must be set. If not, access terminates with an error response and no peripheral access initiates. 0 This peripheral does not require supervisor privilege level for accesses. 1 This peripheral requires supervisor privilege level for accesses.
5 WP6	Write Protect Determines whether the peripheral allows write accesses. When this field is set and a write access is attempted, access terminates with an error response and no peripheral access initiates. 0 This peripheral allows write accesses. 1 This peripheral is write protected.
4 TP6	Trusted Protect Determines whether the peripheral allows accesses from an untrusted master. When this field is set and an access is attempted by an untrusted master, the access terminates with an error response and no peripheral access initiates. 0 Accesses from an untrusted master are allowed. 1 Accesses from an untrusted master are not allowed.
3 Reserved	This field is reserved. This read-only field is reserved and always has the value 0.
2 SP7	Supervisor Protect Determines whether the peripheral requires supervisor privilege level for accesses. When this field is set, the master privilege level must indicate the supervisor access attribute, and the MPR _x [MPL _n] control field for the master must be set. If not, access terminates with an error response and no peripheral access initiates. 0 This peripheral does not require supervisor privilege level for accesses. 1 This peripheral requires supervisor privilege level for accesses.
1 WP7	Write Protect Determines whether the peripheral allows write accesses. When this field is set and a write access is attempted, access terminates with an error response and no peripheral access initiates. 0 This peripheral allows write accesses. 1 This peripheral is write protected.
0 TP7	Trusted Protect Determines whether the peripheral allows accesses from an untrusted master. When this field is set and an access is attempted by an untrusted master, the access terminates with an error response and no peripheral access initiates. 0 Accesses from an untrusted master are allowed. 1 Accesses from an untrusted master are not allowed.

19.4 Functional description

The peripheral bridge functions as a bus protocol translator between the crossbar switch and the slave peripheral bus.

The peripheral bridge manages all transactions destined for the attached slave devices and generates select signals for modules on the peripheral bus by decoding accesses within the attached address space.

19.4.1 Access support

All combinations of access size and peripheral data port width are supported. An access that is larger than the target peripheral's data width will be decomposed to multiple, smaller accesses. Bus decomposition is terminated by a transfer error caused by an access to an empty register area.

Chapter 20

Direct Memory Access Multiplexer (DMAMUX)

20.1 Chip-specific DMAMUX information

20.1.1 DMA MUX Request Sources

This device includes a DMA request mux that allows up to 63 DMA request signals to be mapped to any of the 4 DMA channels. Because of the mux there is no hard correlation between any of the DMA request sources and a specific DMA channel. Some of the modules support Asynchronous DMA operation as indicated by the last column in the following DMA source assignment table.

Table 20-1. DMA request sources - MUX 0

Source number	Source module	Source description	Async DMA capable
0	—	Channel disabled ¹	
1	Reserved	Not used	
2	LPUART0	Receive	Yes
3	LPUART0	Transmit	Yes
4	LPUART1	Receive	Yes
5	LPUART1	Transmit	Yes
6	UART2	Receive	
7	UART2	Transmit	
8	Reserved	—	
9	Reserved	—	
10	Flex_IO	FlexIO_Ch0	Yes
11	Flex_IO	FlexIO_Ch1	Yes
12	Flex_IO	FlexIO_Ch2	Yes
13	Flex_IO	FlexIO_Ch3	Yes
14	Reserved	—	

Table continues on the next page...

Table 20-1. DMA request sources - MUX 0 (continued)

Source number	Source module	Source description	Async DMA capable
15	Reserved	—	
16	SPI0	Receive	
17	SPI0	Transmit	
18	SPI1	Receive	
19	SPI1	Transmit	
20	Reserved	—	
21	Reserved	—	
22	I ² C0		
23	I ² C1		
24	TPM0	Channel 0	Yes
25	TPM0	Channel 1	Yes
26	TPM0	Channel 2	Yes
27	TPM0	Channel 3	Yes
28	TPM0	Channel 4	Yes
29	TPM0	Channel 5	Yes
30	Reserved	—	
31	Reserved	—	
32	TPM1	Channel 0	Yes
33	TPM1	Channel 1	Yes
34	TPM2	Channel 0	Yes
35	TPM2	Channel 1	Yes
36	Reserved	—	
37	Reserved	—	
38	Reserved	—	
39	Reserved	—	
40	ADC0		Yes
41	Reserved	—	
42	CMP0		Yes
43	Reserved	—	
44	Reserved	—	
45	DAC0	—	
46	Reserved	—	
47	Reserved	—	
48	Reserved	—	
49	Port control module	Port A	Yes
50	Reserved	—	
51	Port control module	Port C	Yes
52	Port control module	Port D	Yes
53	Reserved	—	

Table continues on the next page...

Table 20-1. DMA request sources - MUX 0 (continued)

Source number	Source module	Source description	Async DMA capable
54	TPM0	Overflow	Yes
55	TPM1	Overflow	Yes
56	TPM2	Overflow	Yes
57	Reserved	—	
58	Reserved	—	
59	Reserved	—	
60	DMA MUX	Always enabled	
61	DMA MUX	Always enabled	
62	DMA MUX	Always enabled	
63	DMA MUX	Always enabled	

1. Configuring a DMA channel to select source 0 or any of the reserved sources disables that DMA channel.

20.1.2 DMA transfers via PIT trigger

The PIT module can trigger a DMA transfer on the first two DMA channels. The assignments are detailed at [PIT/DMA periodic trigger assignments](#) .

20.2 Introduction

20.2.1 Overview

The Direct Memory Access Multiplexer (DMAMUX) routes DMA sources, called slots, to any of the four DMA channels. This process is illustrated in the following figure.

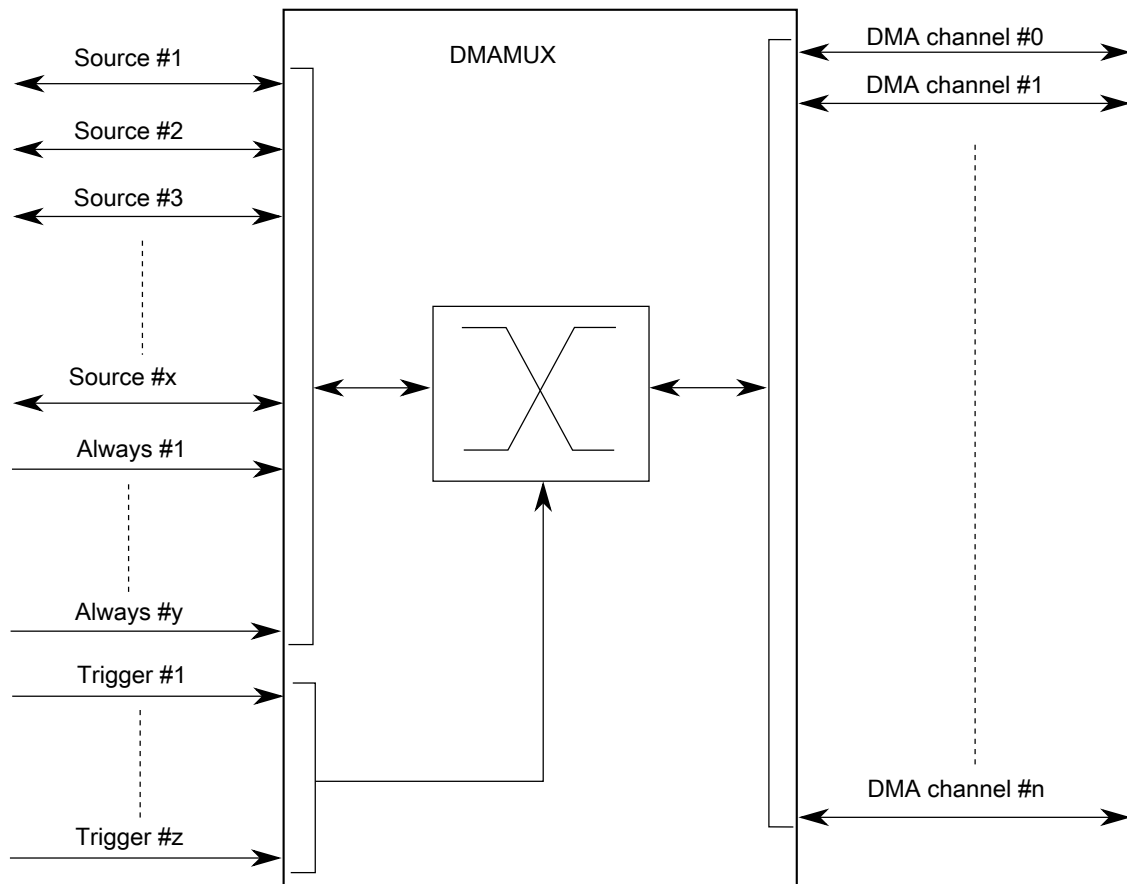


Figure 20-1. DMAMUX block diagram

20.2.2 Features

The DMAMUX module provides these features:

- Up to 63 peripheral slots and up to four always-on slots can be routed to four channels.
- four independently selectable DMA channel routers.
 - The first two channels additionally provide a trigger functionality.
- Each channel router can be assigned to one of the possible peripheral DMA slots or to one of the always-on slots.

20.2.3 Modes of operation

The following operating modes are available:

- Disabled mode

In this mode, the DMA channel is disabled. Because disabling and enabling of DMA channels is done primarily via the DMA configuration registers, this mode is used mainly as the reset state for a DMA channel in the DMA channel MUX. It may also be used to temporarily suspend a DMA channel while reconfiguration of the system takes place, for example, changing the period of a DMA trigger.

- Normal mode

In this mode, a DMA source is routed directly to the specified DMA channel. The operation of the DMAMUX in this mode is completely transparent to the system.

- Periodic Trigger mode

In this mode, a DMA source may only request a DMA transfer, such as when a transmit buffer becomes empty or a receive buffer becomes full, periodically.

Configuration of the period is done in the registers of the periodic interrupt timer (PIT). This mode is available only for channels 0–1.

20.3 External signal description

The DMAMUX has no external pins.

20.4 Memory map/register definition

This section provides a detailed description of all memory-mapped registers in the DMAMUX.

DMAMUX memory map

Absolute address (hex)	Register name	Width (in bits)	Access	Reset value	Section/page
4002_1000	Channel Configuration register (DMAMUX0_CHCFG0)	8	R/W	00h	20.4.1/311
4002_1001	Channel Configuration register (DMAMUX0_CHCFG1)	8	R/W	00h	20.4.1/311
4002_1002	Channel Configuration register (DMAMUX0_CHCFG2)	8	R/W	00h	20.4.1/311
4002_1003	Channel Configuration register (DMAMUX0_CHCFG3)	8	R/W	00h	20.4.1/311

20.4.1 Channel Configuration register (DMAMUXx_CHCFGn)

Each of the DMA channels can be independently enabled/disabled and associated with one of the DMA slots (peripheral slots or always-on slots) in the system.

NOTE

Setting multiple CHCFG registers with the same source value will result in unpredictable behavior. This is true, even if a channel is disabled (ENBL==0).

Before changing the trigger or source settings, a DMA channel must be disabled via CHCFGn[ENBL].

Address: 4002_1000h base + 0h offset + (1d × i), where i=0d to 3d

Bit	7	6	5	4	3	2	1	0
Read	ENBL	TRIG	SOURCE					
Write								
Reset	0	0	0	0	0	0	0	0

DMAMUXx_CHCFGn field descriptions

Field	Description
7 ENBL	<p>DMA Channel Enable</p> <p>Enables the DMA channel.</p> <p>0 DMA channel is disabled. This mode is primarily used during configuration of the DMAMux. The DMA has separate channel enables/disables, which should be used to disable or reconfigure a DMA channel.</p> <p>1 DMA channel is enabled</p>
6 TRIG	<p>DMA Channel Trigger Enable</p> <p>Enables the periodic trigger capability for the triggered DMA channel.</p> <p>0 Triggering is disabled. If triggering is disabled and ENBL is set, the DMA Channel will simply route the specified source to the DMA channel. (Normal mode)</p> <p>1 Triggering is enabled. If triggering is enabled and ENBL is set, the DMAMUX is in Periodic Trigger mode.</p>
SOURCE	<p>DMA Channel Source (Slot)</p> <p>Specifies which DMA source, if any, is routed to a particular DMA channel. See the chip-specific DMAMUX information for details about the peripherals and their slot numbers.</p>

20.5 Functional description

The primary purpose of the DMAMUX is to provide flexibility in the system's use of the available DMA channels.

As such, configuration of the DMAMUX is intended to be a static procedure done during execution of the system boot code. However, if the procedure outlined in [Enabling and configuring sources](#) is followed, the configuration of the DMAMUX may be changed during the normal operation of the system.

Functionally, the DMAMUX channels may be divided into two classes:

- Channels that implement the normal routing functionality plus periodic triggering capability
- Channels that implement only the normal routing functionality

20.5.1 DMA channels with periodic triggering capability

Besides the normal routing functionality, the first 2 channels of the DMAMUX provide a special periodic triggering capability that can be used to provide an automatic mechanism to transmit bytes, frames, or packets at fixed intervals without the need for processor intervention.

The trigger is generated by the periodic interrupt timer (PIT); as such, the configuration of the periodic triggering interval is done via configuration registers in the PIT. See the section on periodic interrupt timer for more information on this topic.

Note

Because of the dynamic nature of the system (due to DMA channel priorities, bus arbitration, interrupt service routine lengths, etc.), the number of clock cycles between a trigger and the actual DMA transfer cannot be guaranteed.

Functional description

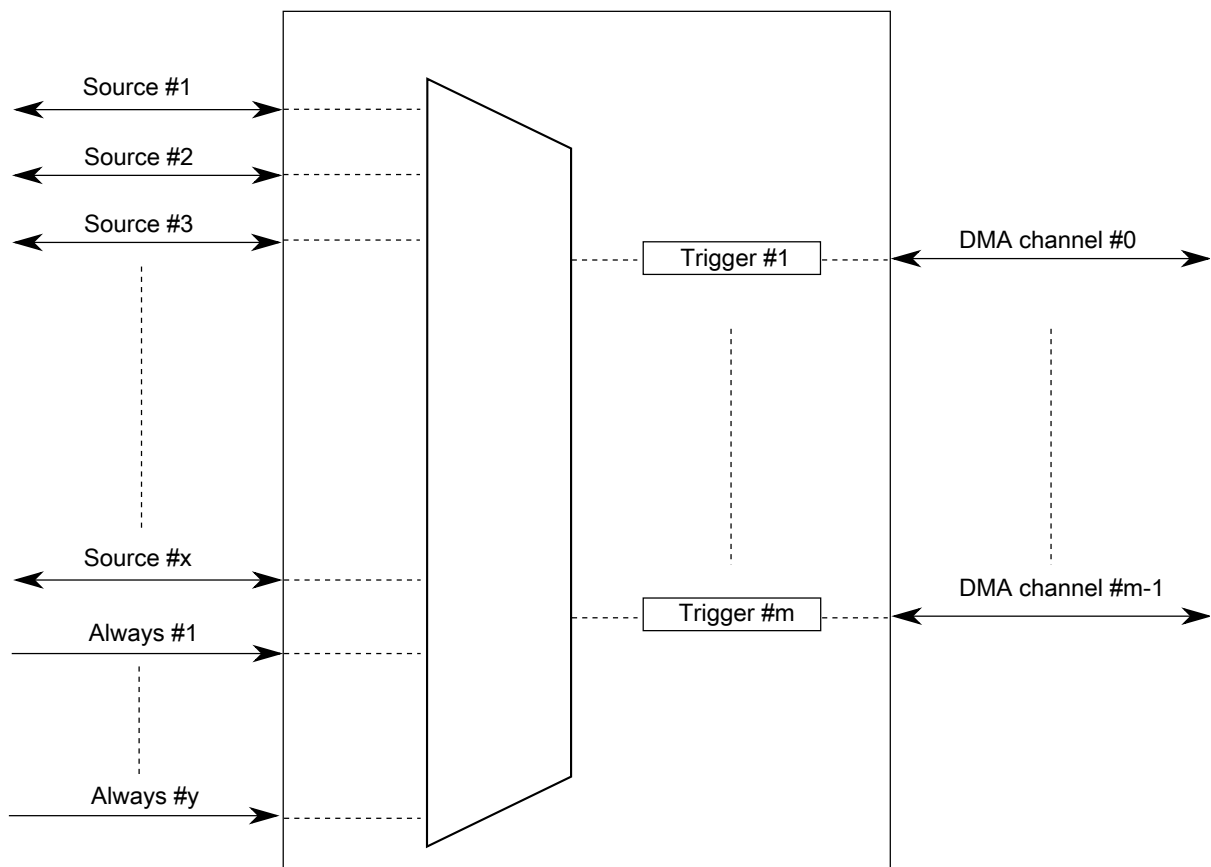


Figure 20-2. DMAMUX triggered channels

The DMA channel triggering capability allows the system to schedule regular DMA transfers, usually on the transmit side of certain peripherals, without the intervention of the processor. This trigger works by gating the request from the peripheral to the DMA until a trigger event has been seen. This is illustrated in the following figure.

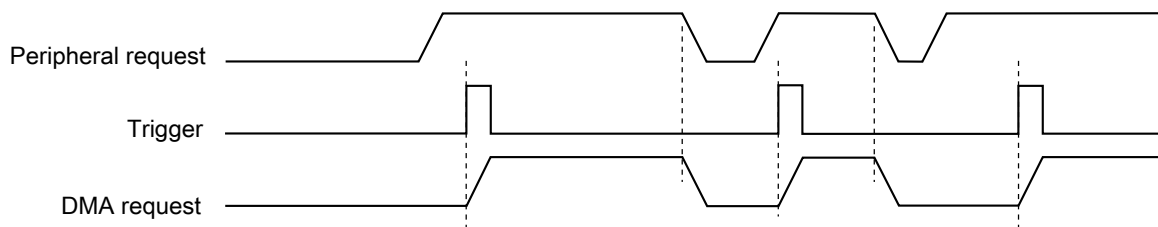


Figure 20-3. DMAMUX channel triggering: normal operation

After the DMA request has been serviced, the peripheral will negate its request, effectively resetting the gating mechanism until the peripheral reasserts its request and the next trigger event is seen. This means that if a trigger is seen, but the peripheral is not requesting a transfer, then that trigger will be ignored. This situation is illustrated in the following figure.

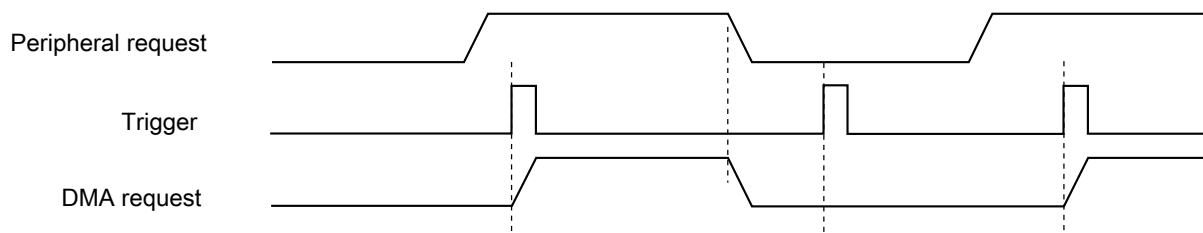


Figure 20-4. DMAMUX channel triggering: ignored trigger

This triggering capability may be used with any peripheral that supports DMA transfers, and is most useful for two types of situations:

- Periodically polling external devices on a particular bus

As an example, the transmit side of an SPI is assigned to a DMA channel with a trigger, as described above. After it has been set up, the SPI will request DMA transfers, presumably from memory, as long as its transmit buffer is empty. By using a trigger on this channel, the SPI transfers can be automatically performed every 5 μs (as an example). On the receive side of the SPI, the SPI and DMA can be configured to transfer receive data into memory, effectively implementing a method to periodically read data from external devices and transfer the results into memory without processor intervention.

- Using the GPIO ports to drive or sample waveforms

By configuring the DMA to transfer data to one or more GPIO ports, it is possible to create complex waveforms using tabular data stored in on-chip memory. Conversely, using the DMA to periodically transfer data from one or more GPIO ports, it is possible to sample complex waveforms and store the results in tabular form in on-chip memory.

A more detailed description of the capability of each trigger, including resolution, range of values, and so on, may be found in the periodic interrupt timer section.

20.5.2 DMA channels with no triggering capability

The other channels of the DMAMUX provide the normal routing functionality as described in [Modes of operation](#).

20.5.3 Always-enabled DMA sources

In addition to the peripherals that can be used as DMA sources, there are four additional DMA sources that are always enabled. Unlike the peripheral DMA sources, where the peripheral controls the flow of data during DMA transfers, the sources that are always enabled provide no such "throttling" of the data transfers. These sources are most useful in the following cases:

- Performing DMA transfers to/from GPIO—Moving data from/to one or more GPIO pins, either unthrottled (that is, as fast as possible), or periodically (using the DMA triggering capability).
- Performing DMA transfers from memory to memory—Moving data from memory to memory, typically as fast as possible, sometimes with software activation.
- Performing DMA transfers from memory to the external bus, or vice-versa—Similar to memory to memory transfers, this is typically done as quickly as possible.
- Any DMA transfer that requires software activation—Any DMA transfer that should be explicitly started by software.

In cases where software should initiate the start of a DMA transfer, an always-enabled DMA source can be used to provide maximum flexibility. When activating a DMA channel via software, subsequent executions of the minor loop require that a new start event be sent. This can either be a new software activation, or a transfer request from the DMA channel MUX. The options for doing this are:

- Transfer all data in a single minor loop.

By configuring the DMA to transfer all of the data in a single minor loop (that is, major loop counter = 1), no reactivation of the channel is necessary. The disadvantage to this option is the reduced granularity in determining the load that the DMA transfer will impose on the system. For this option, the DMA channel must be disabled in the DMA channel MUX.

- Use explicit software reactivation.

In this option, the DMA is configured to transfer the data using both minor and major loops, but the processor is required to reactivate the channel by writing to the DMA registers *after every minor loop*. For this option, the DMA channel must be disabled in the DMA channel MUX.

- Use an always-enabled DMA source.

In this option, the DMA is configured to transfer the data using both minor and major loops, and the DMA channel MUX does the channel reactivation. For this option, the DMA channel should be enabled and pointing to an "always enabled" source. Note that the reactivation of the channel can be continuous (DMA triggering is disabled) or can use the DMA triggering capability. In this manner, it is possible to execute periodic transfers of packets of data from one source to another, without processor intervention.

20.6 Initialization/application information

This section provides instructions for initializing the DMA channel MUX.

20.6.1 Reset

The reset state of each individual bit is shown in [Memory map/register definition](#). In summary, after reset, all channels are disabled and must be explicitly enabled before use.

20.6.2 Enabling and configuring sources

To enable a source with periodic triggering:

1. Determine with which DMA channel the source will be associated. Note that only the first 2 DMA channels have periodic triggering capability.
2. Clear the CHCFG[ENBL] and CHCFG[TRIG] fields of the DMA channel.
3. Ensure that the DMA channel is properly configured in the DMA. The DMA channel may be enabled at this point.
4. Configure the corresponding timer.
5. Select the source to be routed to the DMA channel. Write to the corresponding CHCFG register, ensuring that the CHCFG[ENBL] and CHCFG[TRIG] fields are set.

NOTE

The following is an example. See the chip configuration details for the number of this device's DMA channels that have triggering capability.

To configure source #5 transmit for use with DMA channel 1, with periodic triggering capability:

1. Write 0x00 to CHCFG1.

2. Configure channel 1 in the DMA, including enabling the channel.
3. Configure a timer for the desired trigger interval.
4. Write 0xC5 to CHCFG1.

The following code example illustrates steps 1 and 4 above:

```
void DMAMUX_Init(uint8_t DMA_CH, uint8_t DMAMUX_SOURCE)
{
    DMAMUX_0.CHCFG[DMA_CH].B.SOURCE = DMAMUX_SOURCE;
    DMAMUX_0.CHCFG[DMA_CH].B.ENBL   = 1;
    DMAMUX_0.CHCFG[DMA_CH].B.TRIG   = 1;
}
```

To enable a source, without periodic triggering:

1. Determine with which DMA channel the source will be associated. Note that only the first 2 DMA channels have periodic triggering capability.
2. Clear the CHCFG[ENBL] and CHCFG[TRIG] fields of the DMA channel.
3. Ensure that the DMA channel is properly configured in the DMA. The DMA channel may be enabled at this point.
4. Select the source to be routed to the DMA channel. Write to the corresponding CHCFG register, ensuring that CHCFG[ENBL] is set while CHCFG[TRIG] is cleared.

NOTE

The following is an example. See the chip configuration details for the number of this device's DMA channels that have triggering capability.

To configure source #5 transmit for use with DMA channel 1, with no periodic triggering capability:

1. Write 0x00 to CHCFG1.
2. Configure channel 1 in the DMA, including enabling the channel.
3. Write 0x85 to CHCFG1.

The following code example illustrates steps 1 and 3 above:

```
In File registers.h:
#define DMAMUX_BASE_ADDR    0x40021000/* Example only ! */
/* Following example assumes char is 8-bits */
volatile unsigned char *CHCFG0 = (volatile unsigned char *) (DMAMUX_BASE_ADDR+0x0000);
volatile unsigned char *CHCFG1 = (volatile unsigned char *) (DMAMUX_BASE_ADDR+0x0001);
volatile unsigned char *CHCFG2 = (volatile unsigned char *) (DMAMUX_BASE_ADDR+0x0002);
volatile unsigned char *CHCFG3 = (volatile unsigned char *) (DMAMUX_BASE_ADDR+0x0003);
volatile unsigned char *CHCFG4 = (volatile unsigned char *) (DMAMUX_BASE_ADDR+0x0004);
volatile unsigned char *CHCFG5 = (volatile unsigned char *) (DMAMUX_BASE_ADDR+0x0005);
volatile unsigned char *CHCFG6 = (volatile unsigned char *) (DMAMUX_BASE_ADDR+0x0006);
volatile unsigned char *CHCFG7 = (volatile unsigned char *) (DMAMUX_BASE_ADDR+0x0007);
volatile unsigned char *CHCFG8 = (volatile unsigned char *) (DMAMUX_BASE_ADDR+0x0008);
volatile unsigned char *CHCFG9 = (volatile unsigned char *) (DMAMUX_BASE_ADDR+0x0009);
volatile unsigned char *CHCFG10= (volatile unsigned char *) (DMAMUX_BASE_ADDR+0x000A);
volatile unsigned char *CHCFG11= (volatile unsigned char *) (DMAMUX_BASE_ADDR+0x000B);
volatile unsigned char *CHCFG12= (volatile unsigned char *) (DMAMUX_BASE_ADDR+0x000C);
volatile unsigned char *CHCFG13= (volatile unsigned char *) (DMAMUX_BASE_ADDR+0x000D);
```

```
volatile unsigned char *CHCFG14= (volatile unsigned char *) (DMAMUX_BASE_ADDR+0x000E);
volatile unsigned char *CHCFG15= (volatile unsigned char *) (DMAMUX_BASE_ADDR+0x000F);
```

```
In File main.c:
#include "registers.h"
:
:
*CHCFG1 = 0x00;
*CHCFG1 = 0x85;
```

To disable a source:

A particular DMA source may be disabled by not writing the corresponding source value into any of the CHCFG registers. Additionally, some module-specific configuration may be necessary. See the appropriate section for more details.

To switch the source of a DMA channel:

1. Disable the DMA channel in the DMA and reconfigure the channel for the new source.
2. Clear the CHCFG[ENBL] and CHCFG[TRIG] bits of the DMA channel.
3. Select the source to be routed to the DMA channel. Write to the corresponding CHCFG register, ensuring that the CHCFG[ENBL] and CHCFG[TRIG] fields are set.

To switch DMA channel 8 from source #5 transmit to source #7 transmit:

1. In the DMA configuration registers, disable DMA channel 8 and reconfigure it to handle the transfers to peripheral slot 7. This example assumes channel 8 doesn't have triggering capability.
2. Write 0x00 to CHCFG8.
3. Write 0x87 to CHCFG8. (In this example, setting CHCFG[TRIG] would have no effect due to the assumption that channel 8 does not support the periodic triggering functionality.)

The following code example illustrates steps 2 and 3 above:

```
In File registers.h:
#define DMAMUX_BASE_ADDR      0x40021000/* Example only ! */
/* Following example assumes char is 8-bits */
volatile unsigned char *CHCFG0 = (volatile unsigned char *) (DMAMUX_BASE_ADDR+0x0000);
volatile unsigned char *CHCFG1 = (volatile unsigned char *) (DMAMUX_BASE_ADDR+0x0001);
volatile unsigned char *CHCFG2 = (volatile unsigned char *) (DMAMUX_BASE_ADDR+0x0002);
volatile unsigned char *CHCFG3 = (volatile unsigned char *) (DMAMUX_BASE_ADDR+0x0003);
volatile unsigned char *CHCFG4 = (volatile unsigned char *) (DMAMUX_BASE_ADDR+0x0004);
volatile unsigned char *CHCFG5 = (volatile unsigned char *) (DMAMUX_BASE_ADDR+0x0005);
volatile unsigned char *CHCFG6 = (volatile unsigned char *) (DMAMUX_BASE_ADDR+0x0006);
volatile unsigned char *CHCFG7 = (volatile unsigned char *) (DMAMUX_BASE_ADDR+0x0007);
volatile unsigned char *CHCFG8 = (volatile unsigned char *) (DMAMUX_BASE_ADDR+0x0008);
volatile unsigned char *CHCFG9 = (volatile unsigned char *) (DMAMUX_BASE_ADDR+0x0009);
volatile unsigned char *CHCFG10= (volatile unsigned char *) (DMAMUX_BASE_ADDR+0x000A);
volatile unsigned char *CHCFG11= (volatile unsigned char *) (DMAMUX_BASE_ADDR+0x000B);
volatile unsigned char *CHCFG12= (volatile unsigned char *) (DMAMUX_BASE_ADDR+0x000C);
volatile unsigned char *CHCFG13= (volatile unsigned char *) (DMAMUX_BASE_ADDR+0x000D);
volatile unsigned char *CHCFG14= (volatile unsigned char *) (DMAMUX_BASE_ADDR+0x000E);
volatile unsigned char *CHCFG15= (volatile unsigned char *) (DMAMUX_BASE_ADDR+0x000F);
```

Initialization/application information

```
In File main.c:  
#include "registers.h"  
:  
:  
*CHCFG8 = 0x00;  
*CHCFG8 = 0x87;
```


Chapter 21

DMA Controller Module

21.1 Introduction

Information found here describes the direct memory access (DMA) controller module. It provides an overview of the module and describes in detail its signals and programming model.

The latter sections of this chapter describe operations, features, and supported data transfer modes in detail.

An example of using several features of the DMA module is described in [AN4631: Using the Asynchronous DMA features of the Kinetis L Series](#).

Note

The designation n is used throughout this section to refer to registers or signals associated with one of the four identical DMA channels: DMA0, DMA1, DMA2, or DMA3.

21.1.1 Overview

The DMA controller module enables fast transfers of data, providing an efficient way to move blocks of data with minimal processor interaction. The DMA module, shown in the following figure, has four channels that allow 8-bit, 16-bit, or 32-bit data transfers. Each channel has a dedicated Source Address register (SAR_n), Destination Address register (DAR_n), Status register (DSR_n), Byte Count register (BCR_n), and Control register (DCR_n). Collectively, the combined program-visible registers associated with each channel define a transfer control descriptor (TCD). All transfers are dual address, moving data from a source memory location to a destination memory location with the module operating as a 32-bit bus master connected to the system bus. The programming model is accessed through a 32-bit connection with the slave peripheral bus. DMA data transfers may be explicitly initiated by software or by peripheral hardware requests.

The following figure is a simplified block diagram of the 4-channel DMA controller.

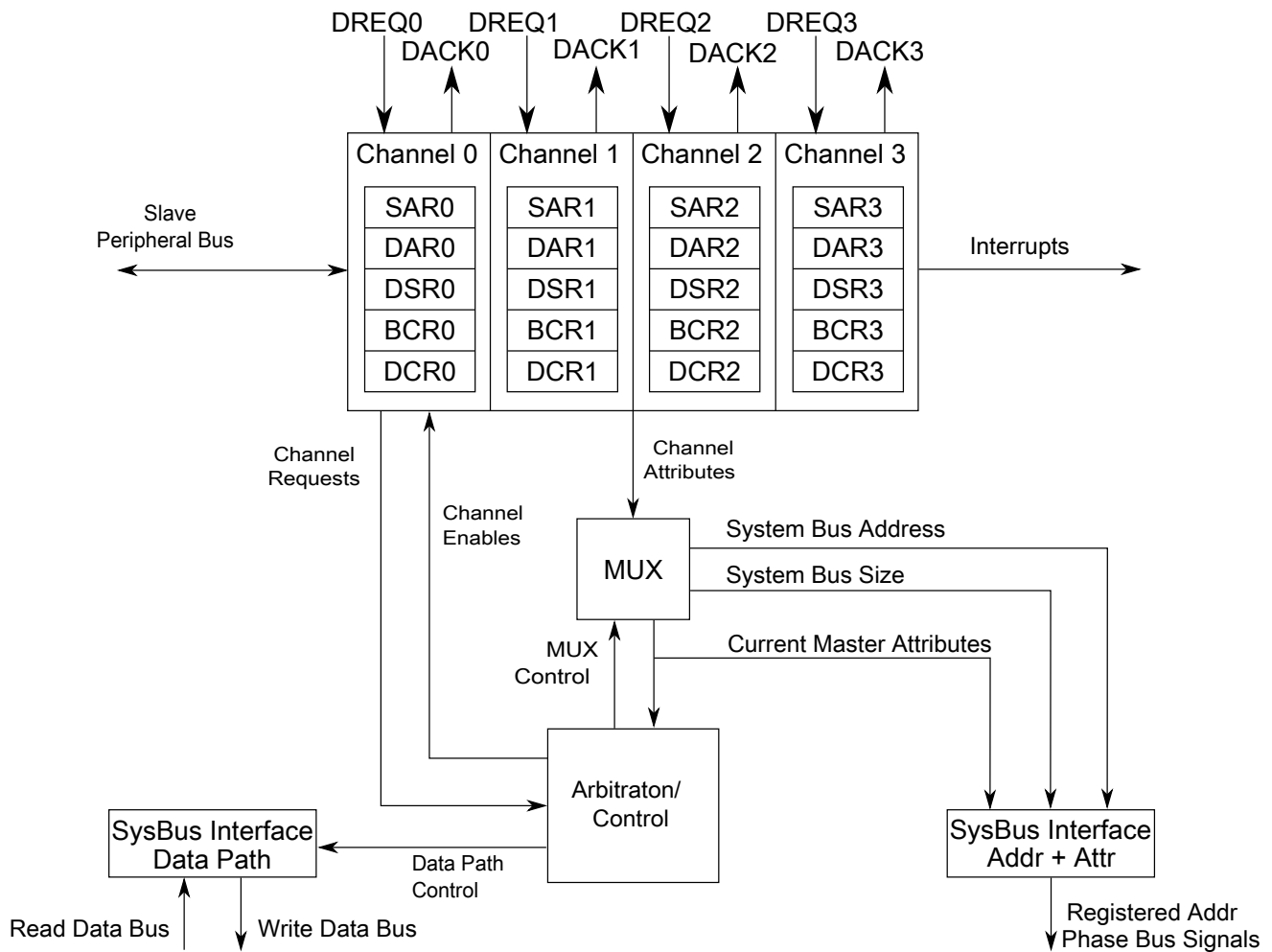


Figure 21-1. 4-Channel DMA Block Diagram

The terms *peripheral request* and *DREQ* refer to a DMA request from one of the on-chip peripherals or package pins. The DMA provides hardware handshake signals: either a DMA acknowledge (DACK) or a done indicator back to the peripheral.

21.1.2 Features

The DMA controller module features:

- Four independently programmable DMA controller channels
- Dual-address transfers via 32-bit master connection to the system bus
- Data transfers in 8-, 16-, or 32-bit blocks
- Continuous-mode or cycle-steal transfers from software or peripheral initiation

- Automatic hardware acknowledge/done indicator from each channel
- Independent source and destination address registers
- Optional modulo addressing and automatic updates of source and destination addresses
- Independent transfer sizes for source and destination
- Optional auto-alignment feature for source or destination accesses
- Optional automatic single or double channel linking
- Programming model accessed via 32-bit slave peripheral bus
- Channel arbitration on transfer boundaries using fixed priority scheme

21.2 DMA Transfer Overview

The DMA module can move data within system memory (including memory and peripheral devices) with minimal processor intervention, greatly improving overall system performance.

The DMA module consists of four independent, functionally equivalent channels, so references to DMA in this chapter apply to any of the channels. It is not possible to address all four channels at once.

As soon as a channel has been initialized, it may be started by setting $DCR_n[START]$ or a properly-selected peripheral DMA request, depending on the status of $DCR_n[ERQ]$.

The DMA controller supports dual-address transfers using its bus master connection to the system bus. The DMA channels support transfers up to 32 data bits in size and have the same memory map addressability as the processor.

- Dual-address transfers—A dual-address transfer consists of a read followed by a write and is initiated by a request using the $DCR_n[START]$ bit or by a peripheral DMA request. The read data is temporarily held in the DMA channel hardware until the write operation. Two types of single transfers occur: a read from a source address followed by a write to a destination address. See the following figure.

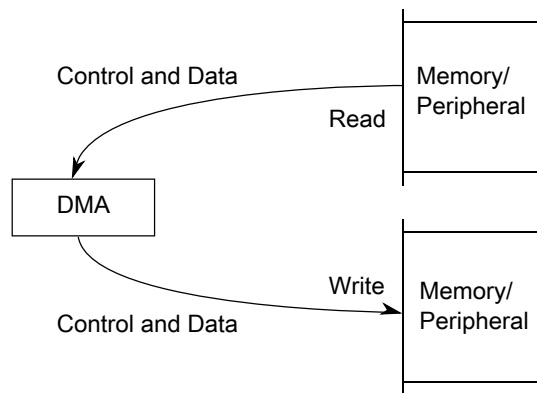


Figure 21-2. Dual-Address Transfer

Any operation involving a DMA channel follows the same three steps:

1. Channel initialization—The transfer control descriptor, contained in the channel registers, is loaded with address pointers, a byte-transfer count, and control information using accesses from the slave peripheral bus.
2. Data transfer—The DMA accepts requests for data transfers. Upon receipt of a request, it provides address and bus control for the transfers via its master connection to the system bus and temporary storage for the read data. The channel performs one or more source read and destination write data transfers.
3. Channel termination—Occurs after the operation is finished successfully or due to an error. The channel indicates the operation status in the channel's DSR, described in the definitions of the DMA Status Registers (DSR_n) and Byte Count Registers (BCR_n).

21.3 Memory Map/Register Definition

Information about the registers related to the DMA controller module can be found here.

Descriptions of each register and its bit assignments follow. Modifying DMA control registers during a transfer can result in undefined operation. The following table shows the mapping of DMA controller registers. The DMA programming model is accessed via the slave peripheral bus. The concatenation of the source and destination address registers, the status and byte count register, and the control register create a 128-bit transfer control descriptor (TCD) that defines the operation of each DMA channel.

DMA memory map

Absolute address (hex)	Register name	Width (in bits)	Access	Reset value	Section/page
4000_8100	Source Address Register (DMA_SAR0)	32	R/W	0000_0000h	21.3.1/325
4000_8104	Destination Address Register (DMA_DAR0)	32	R/W	0000_0000h	21.3.2/326
4000_8108	DMA Status Register / Byte Count Register (DMA_DSR_BCR0)	32	R/W	0000_0000h	21.3.3/327
4000_810C	DMA Control Register (DMA_DCR0)	32	R/W	0000_0000h	21.3.4/329
4000_8110	Source Address Register (DMA_SAR1)	32	R/W	0000_0000h	21.3.1/325
4000_8114	Destination Address Register (DMA_DAR1)	32	R/W	0000_0000h	21.3.2/326
4000_8118	DMA Status Register / Byte Count Register (DMA_DSR_BCR1)	32	R/W	0000_0000h	21.3.3/327
4000_811C	DMA Control Register (DMA_DCR1)	32	R/W	0000_0000h	21.3.4/329
4000_8120	Source Address Register (DMA_SAR2)	32	R/W	0000_0000h	21.3.1/325
4000_8124	Destination Address Register (DMA_DAR2)	32	R/W	0000_0000h	21.3.2/326
4000_8128	DMA Status Register / Byte Count Register (DMA_DSR_BCR2)	32	R/W	0000_0000h	21.3.3/327
4000_812C	DMA Control Register (DMA_DCR2)	32	R/W	0000_0000h	21.3.4/329
4000_8130	Source Address Register (DMA_SAR3)	32	R/W	0000_0000h	21.3.1/325
4000_8134	Destination Address Register (DMA_DAR3)	32	R/W	0000_0000h	21.3.2/326
4000_8138	DMA Status Register / Byte Count Register (DMA_DSR_BCR3)	32	R/W	0000_0000h	21.3.3/327
4000_813C	DMA Control Register (DMA_DCR3)	32	R/W	0000_0000h	21.3.4/329

21.3.1 Source Address Register (DMA_SAR_n)

Restriction

For this register:

- Only 32-bit writes are allowed. 16-bit and 8-bit writes result in a bus error.
- Only several values are allowed to be written to bits 31-20 of this register, see the value list in the field description. A write of any other value to these bits causes a configuration error when the channel starts to execute. For more information about the configuration error, see the description of the [CE](#) field of DSR.

Address: 4000_8000h base + 100h offset + (16d × i), where i=0d to 3d

Bit	31	30	29	28	27	26	25	24	23	22	21	20	19	18	17	16	15	14	13	12	11	10	9	8	7	6	5	4	3	2	1	0
R																																
W	SAR																															
Reset	0	0	0	0	0	0	0	0	0	0	0	0	0	0	0	0	0	0	0	0	0	0	0	0	0	0	0	0	0	0	0	0

DMA_SARn field descriptions

Field	Description
SAR	<p>SAR</p> <p>Each SAR contains the byte address used by the DMA controller to read data. The SARn is typically aligned on a 0-modulo-ssize boundary—that is, on the natural alignment of the source data.</p> <p>Restriction: Bits 31-20 of this register must be written with one of only several allowed values. Each of these allowed values corresponds to a valid region of the device's memory map. The allowed values are:</p> <ul style="list-style-type: none"> • 0x000x_xxxx • 0x1FFx_xxxx • 0x200x_xxxx • 0x400x_xxxx <p>After being written with one of the allowed values, bits 31-20 read back as the written value. After being written with any other value, bits 31-20 read back as an indeterminate value.</p>

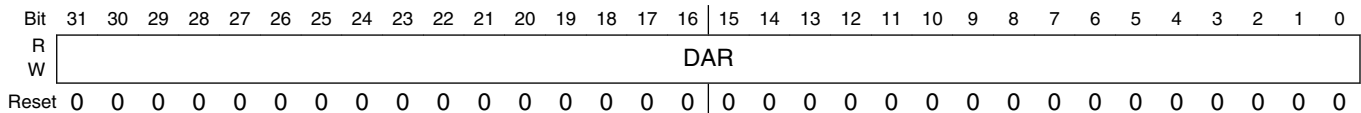
21.3.2 Destination Address Register (DMA_DARn)

Restriction

For this register:

- Only 32-bit writes are allowed. 16-bit and 8-bit writes result in a bus error.
- Only several values are allowed to be written to bits 31-20 of this register, see the value list in the field description. A write of any other value to these bits causes a configuration error when the channel starts to execute. For more information about the configuration error, see the description of the [CE](#) field of DSR.

Address: 4000_8000h base + 104h offset + (16d × i), where i=0d to 3d



DMA_DARn field descriptions

Field	Description
DAR	<p>DAR</p> <p>Each DAR contains the byte address used by the DMA controller to write data. The DARn is typically aligned on a 0-modulo-dsize boundary—that is, on the natural alignment of the destination data.</p> <p>Restriction: Bits 31-20 of this register must be written with one of only several allowed values. Each of these allowed values corresponds to a valid region of the device's memory map. The allowed values are:</p>

DMA_DAR_n field descriptions (continued)

Field	Description
	<ul style="list-style-type: none"> • 0x000x_xxxx • 0x1FFx_xxxx • 0x200x_xxxx • 0x400x_xxxx <p>After being written with one of the allowed values, bits 31-20 read back as the written value. After being written with any other value, bits 31-20 read back as an indeterminate value.</p>

21.3.3 DMA Status Register / Byte Count Register (DMA_DSR_BCR_n)

DSR and BCR are two logical registers that occupy one 32-bit address. DSR_n occupies bits 31–24, and BCR_n occupies bits 23–0. DSR_n contains flags indicating the channel status, and BCR_n contains the number of bytes yet to be transferred for a given block.

On the successful completion of the write transfer, BCR_n decrements by 1, 2, or 4 for 8-bit, 16-bit, or 32-bit accesses, respectively. BCR_n is cleared if a 1 is written to DSR[**DONE**].

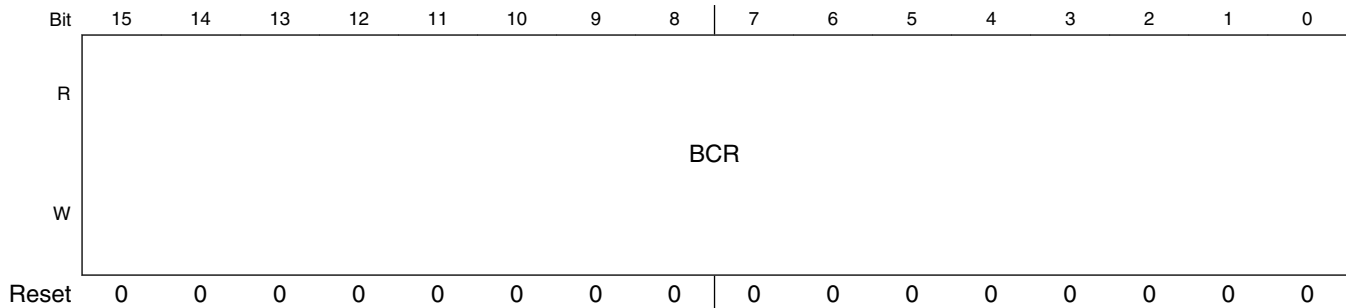
In response to an event, the DMA controller writes to the appropriate DSR_n bit. Only a write to DSR_n[**DONE**] results in action. DSR_n[**DONE**] is set when the block transfer is complete.

When a transfer sequence is initiated and BCR_n[**BCR**] is not a multiple of 4 or 2 when the DMA is configured for 32-bit or 16-bit transfers, respectively, DSR_n[**CE**] is set and no transfer occurs.

Address: 4000_8000h base + 108h offset + (16d × i), where i=0d to 3d

Bit	31	30	29	28	27	26	25	24	23	22	21	20	19	18	17	16
R	0	CE	BES	BED	0	REQ	BSY	DONE	BCR							
W								w1c								
Reset	0	0	0	0	0	0	0	0	0	0	0	0	0	0	0	0

Memory Map/Register Definition



DMA_DSR_BCR_n field descriptions

Field	Description
31 Reserved	This field is reserved. This read-only field is reserved and always has the value 0.
30 CE	Configuration Error Any of the following conditions causes a configuration error: <ul style="list-style-type: none"> • BCR, SAR, or DAR does not match the requested transfer size. • A value greater than 0F_FFFFh is written to BCR. • Bits 31-20 of SAR or DAR are written with a value other than one of the allowed values. See SAR and DAR. • SSIZE or DSIZE is set to an unsupported value. • BCR equals 0 when the DMA receives a start condition. CE is cleared at hardware reset or by writing a 1 to DONE. 0 No configuration error exists. 1 A configuration error has occurred.
29 BES	Bus Error on Source BES is cleared at hardware reset or by writing a 1 to DONE. 0 No bus error occurred. 1 The DMA channel terminated with a bus error during the read portion of a transfer.
28 BED	Bus Error on Destination BED is cleared at hardware reset or by writing a 1 to DONE. 0 No bus error occurred. 1 The DMA channel terminated with a bus error during the write portion of a transfer.
27 Reserved	This field is reserved. This read-only field is reserved and always has the value 0.
26 REQ	Request 0 No request is pending or the channel is currently active. Cleared when the channel is selected. 1 The DMA channel has a transfer remaining and the channel is not selected.
25 BSY	Busy 0 DMA channel is inactive. Cleared when the DMA has finished the last transaction. 1 BSY is set the first time the channel is enabled after a transfer is initiated.
24 DONE	Transactions Done

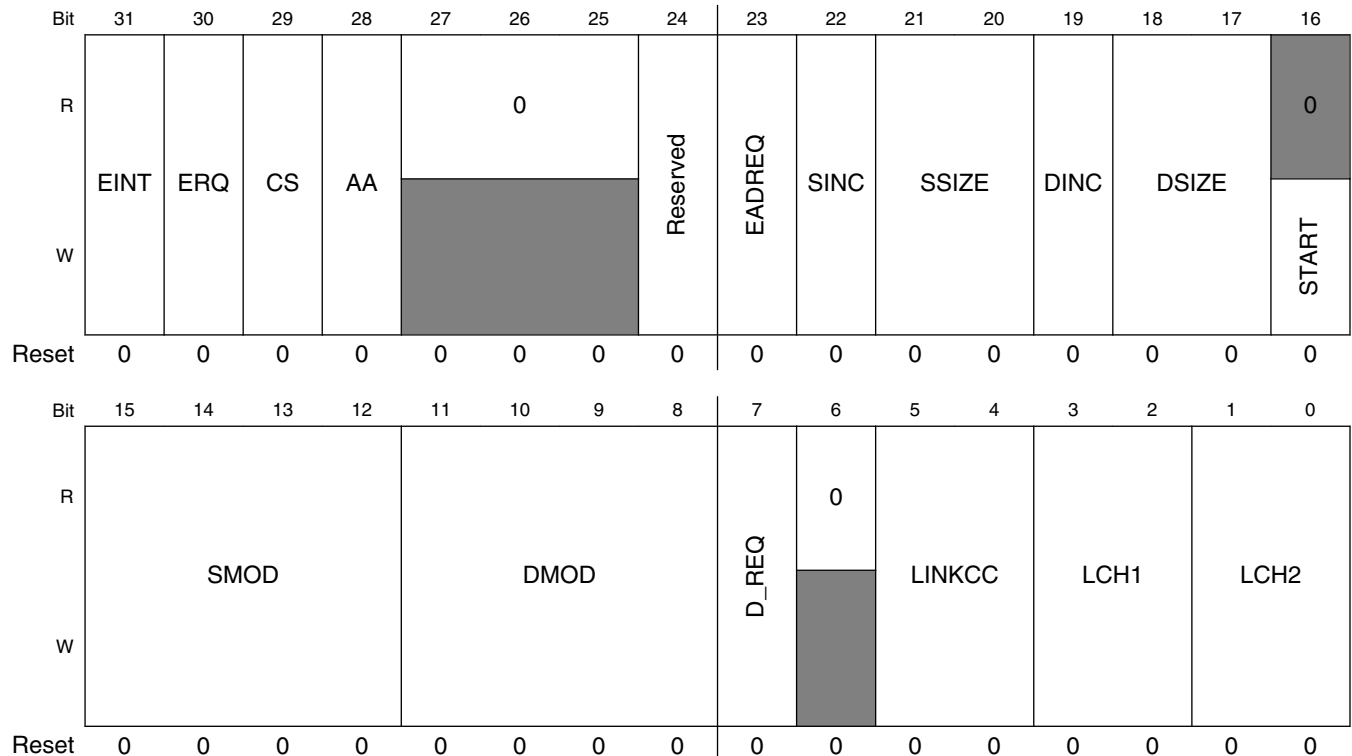
Table continues on the next page...

DMA_DSR_BCRn field descriptions (continued)

Field	Description
	<p>Set when all DMA controller transactions complete as determined by transfer count, or based on error conditions. When BCR reaches 0, DONE is set when the final transfer completes successfully. DONE can also be used to abort a transfer by resetting the status bits. When a transfer completes, software must clear DONE before reprogramming the DMA.</p> <p>0 DMA transfer is not yet complete. Writing a 0 has no effect. 1 DMA transfer completed. Writing a 1 to this bit clears all DMA status bits and should be used in an interrupt service routine to clear the DMA interrupt and error bits.</p>
BCR	<p>BCR</p> <p>This field contains the number of bytes yet to be transferred for a given block.</p> <p>Restriction: BCR must be written with a value equal to or less than 0F_FFFFh. After being written with a value in this range, bits 23-20 of BCR read back as 0000b. A write to BCR of a value greater than 0F_FFFFh causes a configuration error when the channel starts to execute. After being written with a value in this range, bits 23-20 of BCR read back as 0001b.</p>

21.3.4 DMA Control Register (DMA_DCRn)

Address: 4000_8000h base + 10Ch offset + (16d × i), where i=0d to 3d



DMA_DCRn field descriptions

Field	Description
31 EINT	Enable Interrupt on Completion of Transfer

Table continues on the next page...

DMA_DCRn field descriptions (continued)

Field	Description
	<p>Determines whether an interrupt is generated by completing a transfer or by the occurrence of an error condition.</p> <p>0 No interrupt is generated. 1 Interrupt signal is enabled.</p>
30 ERQ	<p>Enable Peripheral Request</p> <p>CAUTION: Be careful: a collision can occur between START and D_REQ when ERQ is 1.</p> <p>0 Peripheral request is ignored. 1 Enables peripheral request to initiate transfer. A software-initiated request (setting START) is always enabled.</p>
29 CS	<p>Cycle Steal</p> <p>0 DMA continuously makes read/write transfers until the BCR decrements to 0. 1 Forces a single read/write transfer per request.</p>
28 AA	<p>Auto-align</p> <p>AA and SIZE bits determine whether the source or destination is auto-aligned; that is, transfers are optimized based on the address and size.</p> <p>0 Auto-align disabled 1 If SSIZE indicates a transfer no smaller than DSIZE, source accesses are auto-aligned; otherwise, destination accesses are auto-aligned. Source alignment takes precedence over destination alignment. If auto-alignment is enabled, the appropriate address register increments, regardless of DINC or SINC.</p>
27–25 Reserved	<p>This field is reserved. This read-only field is reserved and always has the value 0.</p>
24 Reserved	<p>This field is reserved.</p> <p>CAUTION: Must be written as zero; otherwise, undefined behavior results.</p>
23 EADREQ	<p>Enable asynchronous DMA requests</p> <p>Enables the channel to support asynchronous DREQs while the MCU is in Stop mode.</p> <p>0 Disabled 1 Enabled</p>
22 SINC	<p>Source Increment</p> <p>Controls whether the source address increments after each successful transfer.</p> <p>0 No change to SAR after a successful transfer. 1 The SAR increments by 1, 2, 4 as determined by the transfer size.</p>
21–20 SSIZE	<p>Source Size</p> <p>Determines the data size of the source bus cycle for the DMA controller.</p> <p>00 32-bit 01 8-bit</p>

Table continues on the next page...

DMA_DCR_n field descriptions (continued)

Field	Description
	10 16-bit 11 Reserved (generates a configuration error (DSR _n [CE]) if incorrectly specified at time of channel activation)
19 DINC	Destination Increment Controls whether the destination address increments after each successful transfer. 0 No change to the DAR after a successful transfer. 1 The DAR increments by 1, 2, 4 depending upon the size of the transfer.
18–17 DSIZE	Destination Size Determines the data size of the destination bus cycle for the DMA controller. 00 32-bit 01 8-bit 10 16-bit 11 Reserved (generates a configuration error (DSR _n [CE]) if incorrectly specified at time of channel activation)
16 START	Start Transfer 0 DMA inactive 1 The DMA begins the transfer in accordance to the values in the TCD _n . START is cleared automatically after one module clock and always reads as logic 0.
15–12 SMOD	Source Address Modulo Defines the size of the source data circular buffer used by the DMA Controller. If enabled (SMOD is non-zero), the buffer base address is located on a boundary of the buffer size. The value of this boundary is based upon the initial source address (SAR). The base address should be aligned to a 0-modulo-(circular buffer size) boundary. Misaligned buffers are not possible. The boundary is forced to the value determined by the upper address bits in the field selection. 0000 Buffer disabled 0001 Circular buffer size is 16 bytes. 0010 Circular buffer size is 32 bytes. 0011 Circular buffer size is 64 bytes. 0100 Circular buffer size is 128 bytes. 0101 Circular buffer size is 256 bytes. 0110 Circular buffer size is 512 bytes. 0111 Circular buffer size is 1 KB. 1000 Circular buffer size is 2 KB. 1001 Circular buffer size is 4 KB. 1010 Circular buffer size is 8 KB. 1011 Circular buffer size is 16 KB. 1100 Circular buffer size is 32 KB. 1101 Circular buffer size is 64 KB. 1110 Circular buffer size is 128 KB. 1111 Circular buffer size is 256 KB.
11–8 DMOD	Destination Address Modulo Defines the size of the destination data circular buffer used by the DMA Controller. If enabled (DMOD value is non-zero), the buffer base address is located on a boundary of the buffer size. The value of this

Table continues on the next page...

DMA_DCRn field descriptions (continued)

Field	Description
	<p>boundary depends on the initial destination address (DAR). The base address should be aligned to a 0-modulo-(circular buffer size) boundary. Misaligned buffers are not possible. The boundary is forced to the value determined by the upper address bits in the field selection.</p> <p>0000 Buffer disabled</p> <p>0001 Circular buffer size is 16 bytes</p> <p>0010 Circular buffer size is 32 bytes</p> <p>0011 Circular buffer size is 64 bytes</p> <p>0100 Circular buffer size is 128 bytes</p> <p>0101 Circular buffer size is 256 bytes</p> <p>0110 Circular buffer size is 512 bytes</p> <p>0111 Circular buffer size is 1 KB</p> <p>1000 Circular buffer size is 2 KB</p> <p>1001 Circular buffer size is 4 KB</p> <p>1010 Circular buffer size is 8 KB</p> <p>1011 Circular buffer size is 16 KB</p> <p>1100 Circular buffer size is 32 KB</p> <p>1101 Circular buffer size is 64 KB</p> <p>1110 Circular buffer size is 128 KB</p> <p>1111 Circular buffer size is 256 KB</p>
7 D_REQ	<p>Disable Request</p> <p>DMA hardware automatically clears the corresponding DCRn[ERQ] bit when the byte count register reaches 0.</p> <p>0 ERQ bit is not affected.</p> <p>1 ERQ bit is cleared when the BCR is exhausted.</p>
6 Reserved	<p>This field is reserved.</p> <p>This read-only field is reserved and always has the value 0.</p>
5-4 LINKCC	<p>Link Channel Control</p> <p>Allows DMA channels to have their transfers linked. The current DMA channel triggers a DMA request to the linked channels (LCH1 or LCH2) depending on the condition described by the LINKCC bits.</p> <p>If not in cycle steal mode (DCRn[CS]=0) and LINKCC equals 01 or 10, no link to LCH1 occurs.</p> <p>If LINKCC equals 01, a link to LCH1 is created after each cycle-steal transfer performed by the current DMA channel is completed. As the last cycle-steal is performed and the BCR reaches zero, then the link to LCH1 is closed and a link to LCH2 is created.</p> <p>00 No channel-to-channel linking</p> <p>01 Perform a link to channel LCH1 after each cycle-steal transfer followed by a link to LCH2 after the BCR decrements to 0.</p> <p>10 Perform a link to channel LCH1 after each cycle-steal transfer</p> <p>11 Perform a link to channel LCH1 after the BCR decrements to 0.</p>
3-2 LCH1	<p>Link Channel 1</p> <p>Indicates the DMA channel assigned as link channel 1. The link channel number cannot be the same as the currently executing channel, and generates a configuration error if this is attempted (DSRn[CE] is set).</p> <p>00 DMA Channel 0</p> <p>01 DMA Channel 1</p>

Table continues on the next page...

DMA_DCR n field descriptions (continued)

Field	Description
	10 DMA Channel 2 11 DMA Channel 3
LCH2	Link Channel 2 Indicates the DMA channel assigned as link channel 2. The link channel number cannot be the same as the currently executing channel, and generates a configuration error if this is attempted (DSR n [CE] is set). 00 DMA Channel 0 01 DMA Channel 1 10 DMA Channel 2 11 DMA Channel 3

21.4 Functional Description

In the following discussion, the term DMA request implies that DCR n [START] is set, or DCR n [ERQ] is set and then followed by assertion of the properly selected DMA peripheral request. DCR n [START] is cleared when the channel is activated.

Before initiating a dual-address access, the DMA module verifies that DCR n [SSIZE] and DCR n [DSIZE] are consistent with the source and destination addresses. If they are not consistent, the configuration error bit, DSR n [CE], is set. If misalignment is detected, no transfer occurs, DSR n [CE] is set, and, depending on the DCR configuration, an interrupt event may be issued. If the auto-align bit, DCR n [AA], is set, error checking is performed on the appropriate registers.

A read/write transfer sequence reads data from the source address and writes it to the destination address. The number of bytes transferred is the largest of the sizes specified by DCR n [SSIZE] and DCR n [DSIZE] in the DMA Control Registers (DCR n).

Source and destination address registers (SAR n and DAR n) can be programmed in the DCR n to increment at the completion of a successful transfer.

21.4.1 Transfer requests (Cycle-Steal and Continuous modes)

The DMA channel supports software-initiated or peripheral-initiated requests. A request is issued by setting DCR n [START] or when the selected peripheral request asserts and DCR n [ERQ] is set. Setting DCR n [ERQ] enables recognition of the peripheral DMA requests. Selecting between cycle-steal and continuous modes minimizes bus usage for either type of request.

Functional Description

- Cycle-steal mode ($DCRn[CS] = 1$)—Only one complete transfer from source to destination occurs for each request. If $DCRn[ERQ]$ is set, the request is peripheral initiated. A software-initiated request is enabled by setting $DCRn[START]$.
- Continuous mode ($DCRn[CS] = 0$)—After a software-initiated or peripheral request, the DMA continuously transfers data until $BCRn$ reaches 0. The DMA performs the specified number of transfers, then retires the channel.

In either mode, the crossbar switch performs independent arbitration on each slave port after each transaction.

21.4.2 Channel initialization and startup

Before a data transfer starts, the channel's transfer control descriptor must be initialized with information describing configuration, request-generation method, and pointers to the data to be moved.

21.4.2.1 Channel prioritization

The four DMA channels are prioritized based on number, with channel 0 having highest priority and channel 3 having the lowest, that is, channel 0 > channel 1 > channel 2 > channel 3.

Simultaneous peripheral requests activate the channels based on this priority order. Once activated, a channel runs to completion as defined by $DCRn[CS]$ and $BCRn$.

21.4.2.2 Programming the DMA Controller Module

CAUTION

During a channel's execution, writes to programming model registers can corrupt the data transfer. The DMA module itself does not have a mechanism to prevent writes to registers during a channel's execution.

General guidelines for programming the DMA are:

- $TCDn$ is initialized.

- SAR_n is loaded with the source (read) address. If the transfer is from a peripheral device to memory or to another peripheral, the source address is the location of the peripheral data register. If the transfer is from memory to a peripheral device or to memory, the source address is the starting address of the data block. This can be any appropriately aligned address.
- DAR_n is initialized with the destination (write) address. If the transfer is from a peripheral device to memory, or from memory to memory, DAR_n is loaded with the starting address of the data block to be written. If the transfer is from memory to a peripheral device, or from a peripheral device to a peripheral device, DAR_n is loaded with the address of the peripheral data register. This address can be any appropriately aligned address.
- SAR_n and DAR_n change after each data transfer depending on $DCR_n[SSIZE, DSIZE, SINC, DINC, SMOD, DMOD]$ and the starting addresses. Increment values can be 1, 2, or 4 for 8-bit, 16-bit, or 32-bit transfers, respectively. If the address register is programmed to remain unchanged, the register is not incremented after the data transfer.
- $BCR_n[BCR]$ must be loaded with the total number of bytes to be transferred. It is decremented by 1, 2, or 4 at the end of each transfer, depending on the transfer size. $DSR_n[DONE]$ must be cleared for channel startup.
- After the channel has been initialized, it may be started by setting $DCR_n[START]$ or a properly selected peripheral DMA request, depending on the status of $DCR_n[ERQ]$. For a software-initiated transfer, the channel can be started by setting $DCR_n[START]$ as part of a single 32-bit write to the last 32 bits of the TCD_n ; that is, it is not required to write the DCR_n with $START$ cleared and then perform a second write to explicitly set $START$.
- Programming the channel for a software-initiated request causes the channel to request the system bus and start transferring data immediately. If the channel is programmed for peripheral-initiated request, a properly selected peripheral DMA request must be asserted before the channel begins the system bus transfers.
- The hardware can automatically clear $DCR_n[ERQ]$, disabling the peripheral request, when BCR_n reaches zero by setting $DCR_n[D_REQ]$.
- Changes to DCR_n are effective immediately while the channel is active. To avoid problems with changing a DMA channel setup, write a one to $DSR_n[DONE]$ to stop the DMA channel.

21.4.3 Dual-Address Data Transfer Mode

Each channel supports dual-address transfers. Dual-address transfers consist of a source data read and a destination data write. The DMA controller module begins a dual-address transfer sequence after a DMA request. If no error condition exists, $DSRn[REQ]$ is set.

- Dual-address read—The DMA controller drives the $SARn$ value onto the system address bus. If $DCRn[SINC]$ is set, the $SARn$ increments by the appropriate number of bytes upon a successful read cycle. When the appropriate number of read cycles complete (multiple reads if the destination size is larger than the source), the DMA initiates the write portion of the transfer.

If a termination error occurs, $DSRn[BES, DONE]$ are set and DMA transactions stop.

- Dual-address write—The DMA controller drives the $DARn$ value onto the system address bus. When the appropriate number of write cycles complete (multiple writes if the source size is larger than the destination), $DARn$ increments by the appropriate number of bytes if $DCRn[DINC]$ is set. $BCRn$ decrements by the appropriate number of bytes. $DSRn[DONE]$ is set when $BCRn$ reaches zero. If the $BCRn$ is greater than zero, another read/write transfer is initiated if continuous mode is enabled ($DCRn[CS] = 0$).

If a termination error occurs, $DSRn[BED, DONE]$ are set and DMA transactions stop.

21.4.4 Advanced Data Transfer Controls: Auto-Alignment

Typically, auto-alignment for DMA transfers applies for transfers of large blocks of data. As a result, it does not apply for peripheral-initiated cycle-steal transfers.

Auto-alignment allows block transfers to occur at the optimal size based on the address, byte count, and programmed size. To use this feature, $DCRn[AA]$ must be set. The source is auto-aligned if $DCRn[SSIZE]$ indicates a transfer size larger than $DCRn[DSIZE]$. Source alignment takes precedence over the destination when the source and destination sizes are equal. Otherwise, the destination is auto-aligned. The address register chosen for alignment increments regardless of the increment value. Configuration error checking is performed on registers not chosen for alignment.

If $BCRn$ is greater than 16, the address determines transfer size. Transfers of 8 bits, 16 bits, or 32 bits are transferred until the address is aligned to the programmed size boundary, at which time accesses begin using the programmed size. If $BCRn$ is less than 16 at the start of a transfer, the number of bytes remaining dictates transfer size.

Consider this example:

- AA equals 1.
- SAR_n equals 0x2000_0001.
- BCR_n equals 0x00_00F0.
- SSIZE equals 00 (32 bits).
- DSIZE equals 01 (8 bits).

Because SSIZE > DSIZE, the source is auto-aligned. Error checking is performed on destination registers. The access sequence is as follows:

1. Read 1 byte from 0x2000_0001, increment SAR_n, write 1 byte (using DAR_n).
2. Read 2 bytes from 0x2000_0002, increment SAR_n, write 2 bytes.
3. Read 4 bytes from 0x2000_0004, increment SAR_n, write 4 bytes.
4. Repeat 4-byte operations until SAR_n equals 0x2000_00F0.
5. Read byte from 0x2000_00F0, increment SAR_n, write byte.

If DSIZE is another size, data writes are optimized to write the largest size allowed based on the address, but not exceeding the configured size.

21.4.5 Termination

An unsuccessful transfer can terminate for one of the following reasons:

- Error conditions—When the DMA encounters a read or write cycle that terminates with an error condition, DSR_n[BES] is set for a read and DSR_n[BED] is set for a write before the transfer is halted. If the error occurred in a write cycle, data in the internal holding registers is lost.
- Interrupts—If DCR_n[EINT] is set, the DMA drives the appropriate interrupt request signal. The processor can read DSR_n to determine whether the transfer terminated successfully or with an error. DSR_n[DONE] is then written with a 1 to clear the interrupt, DSR_n[DONE], and error status bits.

Chapter 22

Reset Control Module (RCM)

22.1 Introduction

Information found here describes the registers of the Reset Control Module (RCM). The RCM implements many of the reset functions for the chip. See the chip's reset chapter for more information.

See [AN4503: Power Management for Kinetis MCUs](#) for further details on using the RCM.

22.2 Reset memory map and register descriptions

The RCM Memory Map/Register Definition can be found here.

The Reset Control Module (RCM) registers provide reset status information and reset filter control.

NOTE

The RCM registers can be written only in supervisor mode. Write accesses in user mode are blocked and will result in a bus error.

RCM memory map

Absolute address (hex)	Register name	Width (in bits)	Access	Reset value	Section/page
4007_F000	System Reset Status Register 0 (RCM_SRS0)	8	R	82h	22.2.1/340
4007_F001	System Reset Status Register 1 (RCM_SRS1)	8	R	00h	22.2.2/341
4007_F004	Reset Pin Filter Control register (RCM_RPFC)	8	R/W	00h	22.2.3/342
4007_F005	Reset Pin Filter Width register (RCM_RPFW)	8	R/W	00h	22.2.4/343

Table continues on the next page...

RCM memory map (continued)

Absolute address (hex)	Register name	Width (in bits)	Access	Reset value	Section/page
4007_F006	Force Mode Register (RCM_FM)	8	R/W	00h	22.2.5/345
4007_F007	Mode Register (RCM_MR)	8	R/W	See section	22.2.6/345
4007_F008	Sticky System Reset Status Register 0 (RCM_SSRS0)	8	R/W	82h	22.2.7/346
4007_F009	Sticky System Reset Status Register 1 (RCM_SSRS1)	8	R/W	00h	22.2.8/347

22.2.1 System Reset Status Register 0 (RCM_SRS0)

This register includes read-only status flags to indicate the source of the most recent reset. The reset state of these bits depends on what caused the MCU to reset.

NOTE

The reset value of this register depends on the reset source:

- POR (including LVD) — 0x82
- LVD (without POR) — 0x02
- VLLS mode wakeup due to $\overline{\text{RESET}}$ pin assertion — 0x41
- VLLS mode wakeup due to other wakeup sources — 0x01
- Other reset — a bit is set if its corresponding reset source caused the reset

Address: 4007_F000h base + 0h offset = 4007_F000h

Bit	7	6	5	4	3	2	1	0
Read	POR	PIN	WDOG	0		0	LVD	WAKEUP
Write								
Reset	1	0	0	0	0	0	1	0

RCM_SRS0 field descriptions

Field	Description
7 POR	<p>Power-On Reset</p> <p>Indicates a reset has been caused by the power-on detection logic. Because the internal supply voltage was ramping up at the time, the low-voltage reset (LVD) status bit is also set to indicate that the reset occurred while the internal supply was below the LVD threshold.</p> <p>0 Reset not caused by POR 1 Reset caused by POR</p>
6 PIN	<p>External Reset Pin</p> <p>Indicates a reset has been caused by an active-low level on the external $\overline{\text{RESET}}$ pin.</p> <p>0 Reset not caused by external reset pin 1 Reset caused by external reset pin</p>

Table continues on the next page...

RCM_SRS0 field descriptions (continued)

Field	Description
5 WDOG	<p>Watchdog</p> <p>Indicates a reset has been caused by the watchdog timer timing out. This reset source can be blocked by disabling the watchdog.</p> <p>0 Reset not caused by watchdog timeout 1 Reset caused by watchdog timeout</p>
4–3 Reserved	<p>This field is reserved. This read-only field is reserved and always has the value 0.</p>
2 Reserved	<p>This field is reserved. This read-only field is reserved and always has the value 0.</p>
1 LVD	<p>Low-Voltage Detect Reset</p> <p>If PMC_LVDSC1[LVDRE] is set and the supply drops below the LVD trip voltage, an LVD reset occurs. This field is also set by POR.</p> <p>0 Reset not caused by LVD trip or POR 1 Reset caused by LVD trip or POR</p>
0 WAKEUP	<p>Low Leakage Wakeup Reset</p> <p>Indicates a reset has been caused by an enabled LLWU module wakeup source while the chip was in a low leakage mode. In LLS mode, the RESET pin is the only wakeup source that can cause this reset. Any enabled wakeup source in a VLLSx mode causes a reset. This bit is cleared by any reset except WAKEUP.</p> <p>0 Reset not caused by LLWU module wakeup source 1 Reset caused by LLWU module wakeup source</p>

22.2.2 System Reset Status Register 1 (RCM_SRS1)

This register includes read-only status flags to indicate the source of the most recent reset. The reset state of these bits depends on what caused the MCU to reset.

NOTE

The reset value of this register depends on the reset source:

- POR (including LVD) — 0x00
- LVD (without POR) — 0x00
- VLLS mode wakeup — 0x00
- Other reset — a bit is set if its corresponding reset source caused the reset

Reset memory map and register descriptions

Address: 4007_F000h base + 1h offset = 4007_F001h

Bit	7	6	5	4	3	2	1	0
Read	0	0	SACKERR	0	MDM_AP	SW	LOCKUP	0
Write								
Reset	0	0	0	0	0	0	0	0

RCM_SRS1 field descriptions

Field	Description
7 Reserved	This field is reserved. This read-only field is reserved and always has the value 0.
6 Reserved	This field is reserved. This read-only field is reserved and always has the value 0.
5 SACKERR	Stop Mode Acknowledge Error Reset Indicates that after an attempt to enter Stop mode, a reset has been caused by a failure of one or more peripherals to acknowledge within approximately one second to enter stop mode. 0 Reset not caused by peripheral failure to acknowledge attempt to enter stop mode 1 Reset caused by peripheral failure to acknowledge attempt to enter stop mode
4 Reserved	This field is reserved. This read-only field is reserved and always has the value 0.
3 MDM_AP	MDM-AP System Reset Request Indicates a reset has been caused by the host debugger system setting of the System Reset Request bit in the MDM-AP Control Register. 0 Reset not caused by host debugger system setting of the System Reset Request bit 1 Reset caused by host debugger system setting of the System Reset Request bit
2 SW	Software Indicates a reset has been caused by software setting of SYSRESETREQ bit in Application Interrupt and Reset Control Register in the Arm core. 0 Reset not caused by software setting of SYSRESETREQ bit 1 Reset caused by software setting of SYSRESETREQ bit
1 LOCKUP	Core Lockup Indicates a reset has been caused by the Arm core indication of a LOCKUP event. 0 Reset not caused by core LOCKUP event 1 Reset caused by core LOCKUP event
0 Reserved	This field is reserved. This read-only field is reserved and always has the value 0.

22.2.3 Reset Pin Filter Control register (RCM_RPFC)

NOTE

The reset values of bits 2-0 are for Chip POR only. They are unaffected by other reset types.

NOTE

The bus clock filter is reset when disabled or when entering stop mode. The LPO filter is reset when disabled .

Address: 4007_F000h base + 4h offset = 4007_F004h

Bit	7	6	5	4	3	2	1	0
Read	0					RSTFLTSS	RSTFLTSRW	
Write								
Reset	0	0	0	0	0	0	0	0

RCM_RPFC field descriptions

Field	Description
7-3 Reserved	This field is reserved. This read-only field is reserved and always has the value 0.
2 RSTFLTSS	Reset Pin Filter Select in Stop Mode Selects how the reset pin filter is enabled in Stop and VLPS modes , and also during LLS and VLLS modes. On exit from VLLS mode, this bit should be reconfigured before clearing PMC_REGSC[ACKISO]. 0 All filtering disabled 1 LPO clock filter enabled
RSTFLTSRW	Reset Pin Filter Select in Run and Wait Modes Selects how the reset pin filter is enabled in run and wait modes. 00 All filtering disabled 01 Bus clock filter enabled for normal operation 10 LPO clock filter enabled for normal operation 11 Reserved

22.2.4 Reset Pin Filter Width register (RCM_RPFW)**NOTE**

The reset values of the bits in the RSTFLTSEL field are for Chip POR only. They are unaffected by other reset types.

Address: 4007_F000h base + 5h offset = 4007_F005h

Bit	7	6	5	4	3	2	1	0
Read	0				RSTFLTSEL			
Write								
Reset	0	0	0	0	0	0	0	0

RCM_RPFW field descriptions

Field	Description
7-5 Reserved	This field is reserved. This read-only field is reserved and always has the value 0.
RSTFLTSEL	Reset Pin Filter Bus Clock Select Selects the reset pin bus clock filter width. 00000 Bus clock filter count is 1 00001 Bus clock filter count is 2 00010 Bus clock filter count is 3 00011 Bus clock filter count is 4 00100 Bus clock filter count is 5 00101 Bus clock filter count is 6 00110 Bus clock filter count is 7 00111 Bus clock filter count is 8 01000 Bus clock filter count is 9 01001 Bus clock filter count is 10 01010 Bus clock filter count is 11 01011 Bus clock filter count is 12 01100 Bus clock filter count is 13 01101 Bus clock filter count is 14 01110 Bus clock filter count is 15 01111 Bus clock filter count is 16 10000 Bus clock filter count is 17 10001 Bus clock filter count is 18 10010 Bus clock filter count is 19 10011 Bus clock filter count is 20 10100 Bus clock filter count is 21 10101 Bus clock filter count is 22 10110 Bus clock filter count is 23 10111 Bus clock filter count is 24 11000 Bus clock filter count is 25 11001 Bus clock filter count is 26 11010 Bus clock filter count is 27 11011 Bus clock filter count is 28 11100 Bus clock filter count is 29 11101 Bus clock filter count is 30 11110 Bus clock filter count is 31 11111 Bus clock filter count is 32

22.2.5 Force Mode Register (RCM_FM)

NOTE

The reset values of the bits in the FORCEROM field are for Chip POR only. They are unaffected by other reset types.

Address: 4007_F000h base + 6h offset = 4007_F006h

Bit	7	6	5	4	3	2	1	0
Read	0				FORCEROM			0
Write								
Reset	0	0	0	0	0	0	0	0

RCM_FM field descriptions

Field	Description
7–3 Reserved	This field is reserved. This read-only field is reserved and always has the value 0.
2–1 FORCEROM	Force ROM Boot When either bit is set, will force boot from ROM during all subsequent system resets. 00 No effect 01 Force boot from ROM with RCM_MR[1] set. 10 Force boot from ROM with RCM_MR[2] set. 11 Force boot from ROM with RCM_MR[2:1] set.
0 Reserved	This field is reserved. This read-only field is reserved and always has the value 0.

22.2.6 Mode Register (RCM_MR)

This register includes status flags to indicate the state of the mode pins during the last Chip Reset.

Address: 4007_F000h base + 7h offset = 4007_F007h

Bit	7	6	5	4	3	2	1	0
Read	0				BOOTROM			0
Write					w1c			
Reset	0	0	0	0	0	*	*	0

* Notes:

- BOOTROM field: The reset state of this register depends on the boot mode.

RCM_MR field descriptions

Field	Description
7-3 Reserved	This field is reserved. This read-only field is reserved and always has the value 0.
2-1 BOOTROM	<p>Boot ROM Configuration</p> <p>Indicates the boot source, the boot source remains set until the next System Reset or software can write logic one to clear the corresponding mode bit.</p> <p>While either bit is set, the NMI input is disabled and the vector table is relocated to the ROM base address at 0x1C00_0000. These bits should be cleared by writing logic one before executing any code from either Flash or SRAM.</p> <p>00 Boot from Flash 01 Boot from ROM due to BOOTCFG0 pin assertion 10 Boot form ROM due to FOPT[7] configuration 11 Boot from ROM due to both BOOTCFG0 pin assertion and FOPT[7] configuration</p>
0 Reserved	This field is reserved. This read-only field is reserved and always has the value 0.

22.2.7 Sticky System Reset Status Register 0 (RCM_SSRS0)

This register includes status flags to indicate all reset sources since the last POR, LVD or VLLS Wakeup that have not been cleared by software. Software can clear the status flags by writing a logic one to a flag.

Address: 4007_F000h base + 8h offset = 4007_F008h

Bit	7	6	5	4	3	2	1	0
Read	SPOR	SPIN	SWDOG	0		0	SLVD	SWAKEUP
Write	w1c	w1c	w1c				w1c	w1c
Reset	1	0	0	0	0	0	1	0

RCM_SSRS0 field descriptions

Field	Description
7 SPOR	<p>Sticky Power-On Reset</p> <p>Indicates a reset has been caused by the power-on detection logic. Because the internal supply voltage was ramping up at the time, the low-voltage reset (LVD) status bit is also set to indicate that the reset occurred while the internal supply was below the LVD threshold.</p> <p>0 Reset not caused by POR 1 Reset caused by POR</p>
6 SPIN	<p>Sticky External Reset Pin</p> <p>Indicates a reset has been caused by an active-low level on the external $\overline{\text{RESET}}$ pin.</p>

Table continues on the next page...

RCM_SSRS0 field descriptions (continued)

Field	Description
	0 Reset not caused by external reset pin 1 Reset caused by external reset pin
5 SWDOG	Sticky Watchdog Indicates a reset has been caused by the watchdog timer timing out. This reset source can be blocked by disabling the watchdog. 0 Reset not caused by watchdog timeout 1 Reset caused by watchdog timeout
4–3 Reserved	This field is reserved. This read-only field is reserved and always has the value 0.
2 Reserved	This field is reserved. This read-only field is reserved and always has the value 0.
1 SLVD	Sticky Low-Voltage Detect Reset If PMC_LVDSC1[LVDRE] is set and the supply drops below the LVD trip voltage, an LVD reset occurs. This field is also set by POR. 0 Reset not caused by LVD trip or POR 1 Reset caused by LVD trip or POR
0 SWAKEUP	Sticky Low Leakage Wakeup Reset Indicates a reset has been caused by an enabled LLWU module wakeup source while the chip was in a low leakage mode. In LLS mode, the RESET pin is the only wakeup source that can cause this reset. Any enabled wakeup source in a VLLSx mode causes a reset. 0 Reset not caused by LLWU module wakeup source 1 Reset caused by LLWU module wakeup source

22.2.8 Sticky System Reset Status Register 1 (RCM_SSRS1)

This register includes status flags to indicate all reset sources since the last POR, LVD or VLLS Wakeup that have not been cleared by software. Software can clear the status flags by writing a logic one to a flag.

Address: 4007_F000h base + 9h offset = 4007_F009h

Bit	7	6	5	4	3	2	1	0
Read	0	0	SSACKERR	0	SMDM_AP	SSW	SLOCKUP	0
Write			w1c		w1c	w1c	w1c	
Reset	0	0	0	0	0	0	0	0

RCM_SSRS1 field descriptions

Field	Description
7 Reserved	This field is reserved. This read-only field is reserved and always has the value 0.
6 Reserved	This field is reserved. This read-only field is reserved and always has the value 0.
5 SSACKERR	Sticky Stop Mode Acknowledge Error Reset Indicates that after an attempt to enter Stop mode, a reset has been caused by a failure of one or more peripherals to acknowledge within approximately one second to enter stop mode. 0 Reset not caused by peripheral failure to acknowledge attempt to enter stop mode 1 Reset caused by peripheral failure to acknowledge attempt to enter stop mode
4 Reserved	This field is reserved. This read-only field is reserved and always has the value 0.
3 SMDM_AP	Sticky MDM-AP System Reset Request Indicates a reset has been caused by the host debugger system setting of the System Reset Request bit in the MDM-AP Control Register. 0 Reset not caused by host debugger system setting of the System Reset Request bit 1 Reset caused by host debugger system setting of the System Reset Request bit
2 SSW	Sticky Software Indicates a reset has been caused by software setting of SYSRESETREQ bit in Application Interrupt and Reset Control Register in the Arm core. 0 Reset not caused by software setting of SYSRESETREQ bit 1 Reset caused by software setting of SYSRESETREQ bit
1 SLOCKUP	Sticky Core Lockup Indicates a reset has been caused by the Arm core indication of a LOCKUP event. 0 Reset not caused by core LOCKUP event 1 Reset caused by core LOCKUP event
0 Reserved	This field is reserved. This read-only field is reserved and always has the value 0.

Chapter 23

Analog-to-Digital Converter (ADC)

23.1 Chip-specific ADC information

23.1.1 ADC instantiation information

This device contains one 16-bit successive approximation ADC with up to 16 channels.

The ADC supports both software and hardware triggers. The hardware trigger sources are listed in the [Module-to-Module section](#).

The number of ADC channels present on the device is determined by the pinout of the specific device package and is shown in the following table.

Table 23-1. Number of K32 L2B ADC channels (includes both SExa and SExb)

Device	Number of ADC Channels	Number of ADC Pins	Package
K32L2B31VLH0A, K32L2B21VLH0A, K32L2B11VLH0A	16	16	64 LQFP
K32L2B31VMP0A, K32L2B21VMP0A, K32L2B11VMP0A	16	16	64 MAPBGA
K32L2B31VFT0A, K32L2B21VFT0A, K32L2B11VFT0A	16	16	48 QFN
K32L2B31VFM0A, K32L2B21VFM0A, K32L2B11VFM0A	16	16	32 QFN

23.1.2 DMA Support on ADC

Applications may require continuous sampling of the ADC that may have considerable load on the CPU. The ADC supports DMA request functionality for higher performance when the ADC is sampled at a very high rate. The ADC can trigger the DMA (via DMA req) on conversion completion.

23.1.3 ADC0 connections/channel assignment

NOTE

As indicated by the following sections, each ADC_x_DP_x input and certain ADC_x_DM_x inputs may operate as single-ended ADC channels in single-ended mode.

Table 23-2. ADC0 channel assignment

ADC channel (SC1n[ADCH])	Channel	Input signal (SC1n[DIFF]= 1)	Input signal (SC1n[DIFF]= 0)
00000	DAD0	ADC0_DP0 and ADC0_DM0	ADC0_DP0/ADC0_SE0
00001	DAD1	ADC0_DP1 and ADC0_DM1	ADC0_DP1/ADC0_SE1
00010	DAD2	ADC0_DP2 and ADC0_DM2	ADC0_DP2/ADC0_SE2
00011	DAD3	ADC0_DP3 and ADC0_DM3	ADC0_DP3/ADC0_SE3
00100 ¹	AD4a	Reserved	ADC0_DM0/ADC0_SE4a
00101 ¹	AD5a	Reserved	ADC0_DM1/ADC0_SE5a
00110 ¹	AD6a	Reserved	ADC0_DM2/ADC0_SE6a
00111 ¹	AD7a	Reserved	ADC0_DM3/ADC0_SE7a
00100 ¹	AD4b	Reserved	ADC0_SE4b
00101 ¹	AD5b	Reserved	ADC0_SE5b
00110 ¹	AD6b	Reserved	ADC0_SE6b
00111 ¹	AD7b	Reserved	ADC0_SE7b
01000	AD8	Reserved	ADC0_SE8
01001	AD9	Reserved	ADC0_SE9
01010	AD10	Reserved	Reserved
01011	AD11	Reserved	ADC0_SE11
01100	AD12	Reserved	ADC0_SE12
01101	AD13	Reserved	ADC0_SE13
01110	AD14	Reserved	ADC0_SE14
01111	AD15	Reserved	ADC0_SE15
10000	AD16	Reserved	Reserved
10001	AD17	Reserved	Reserved
10010	AD18	Reserved	Reserved
10011	AD19	Reserved	Reserved

Table continues on the next page...

Table 23-2. ADC0 channel assignment (continued)

ADC channel (SC1n[ADCH])	Channel	Input signal (SC1n[DIFF]=1)	Input signal (SC1n[DIFF]=0)
10100	AD20	Reserved	Reserved
10101	AD21	Reserved	Reserved
10110	AD22	Reserved	Reserved
10111	AD23	Reserved	12-bit DAC0 Output/ ADC0_SE23
11000	AD24	Reserved	Reserved
11001	AD25	Reserved	Reserved
11010	AD26	Temperature Sensor (Diff)	Temperature Sensor (S.E)
11011	AD27	Bandgap (Diff) ²	Bandgap (S.E) ²
11100	AD28	Reserved	Reserved
11101	AD29	VREFH (Diff)	VREFH (S.E)
11110	AD30	Reserved	VREFL
11111	AD31	Module Disabled	Module Disabled

1. ADCx_CFG2[MUXSEL] bit selects between ADCx_SEn channels a and b. Refer to MUXSEL description in ADC chapter for details.
2. This is the PMC bandgap 1V reference voltage. Prior to reading from this ADC channel, ensure that you enable the bandgap buffer by setting the PMC_REGSC[BGBE] bit. Refer to the device data sheet for the bandgap voltage (V_{BG}) specification.

23.1.4 ADC analog supply and reference connections

This device includes dedicated VDDA and VSSA pins.

This device contains dedicated VREFH and VREFL pins on 64-pin and 48-pin packages. Both VREFH and VREFL pads are internally connected to VDDA and VSSA respectively on 36-pin and lower devices.

The output of On-chip 1.2V high precision voltage reference VREF_OUT shares with VREFH on 64-pin and 48-pin packages. When VREF_OUT is enabled, this pin needs to connect a capacitor to ground.

23.1.5 Alternate clock

For this device, the alternate clock is connected to the external reference clock (OSCERCLK).

NOTE

This clock option is only usable when OSCERCLK is in the MHz range. A system with OSCERCLK in the kHz range has

the optional clock source below minimum ADC clock operating frequency.

23.2 Introduction

The 16-bit analog-to-digital converter (ADC) is a successive approximation ADC designed for operation within an integrated microcontroller system-on-chip.

NOTE

For the chip specific modes of operation, see the power management information of the device.

23.2.1 Features

Following are the features of the ADC module.

- Linear successive approximation algorithm with up to 16-bit resolution
- Up to four pairs of differential and 24 single-ended external analog inputs
- Output modes:
 - differential 16-bit, 13-bit, 11-bit, and 9-bit modes
 - single-ended 16-bit, 12-bit, 10-bit, and 8-bit modes
- Output format in 2's complement 16-bit sign extended for differential modes
- Output in right-justified unsigned format for single-ended
- Single or continuous conversion, that is, automatic return to idle after single conversion
- Configurable sample time and conversion speed/power
- Conversion complete/hardware average complete flag and interrupt
- Input clock selectable from up to four sources
- Operation in low-power modes for lower noise
- Asynchronous clock source for lower noise operation with option to output the clock
- Selectable hardware conversion trigger with hardware channel select
- Automatic compare with interrupt for less-than, greater-than or equal-to, within range, or out-of-range, programmable value

- Temperature sensor
- Hardware average function
- Selectable voltage reference: external or alternate
- Self-Calibration mode

23.2.2 Block diagram

The following figure is the ADC module block diagram.

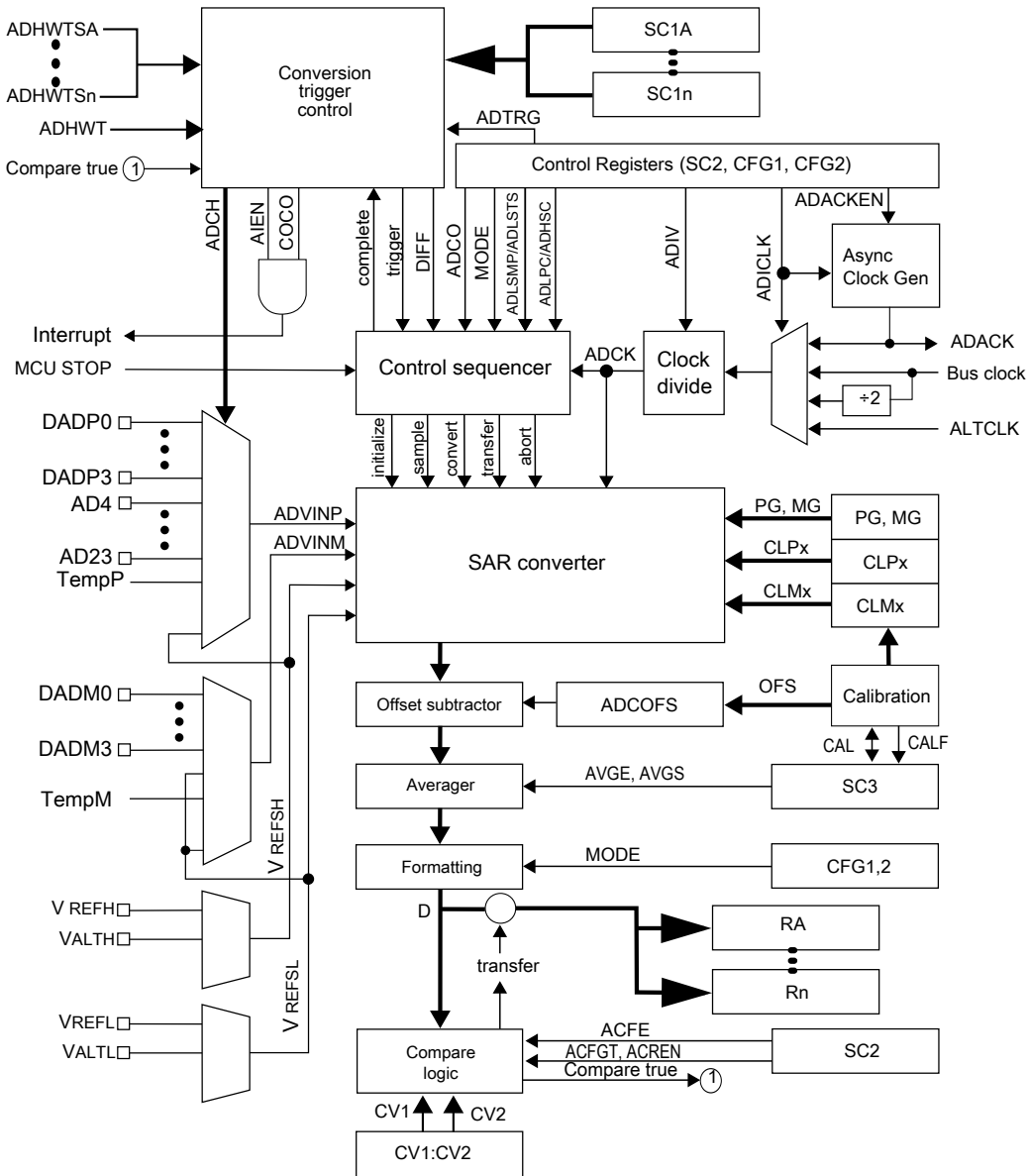


Figure 23-1. ADC block diagram

23.3 ADC signal descriptions

The ADC module supports up to 4 pairs of differential inputs and up to 24 single-ended inputs.

Each differential pair requires two inputs, DADPx and DADMx. The ADC also requires four supply/reference/ground connections.

NOTE

For the number of channels supported on this device as well as information regarding other chip-specific inputs into the ADC block, see the chip-specific ADC configuration information.

Table 23-3. ADC signal descriptions

Signal	Description	I/O
DADP3–DADP0	Differential Analog Channel Inputs	I
DADM3–DADM0	Differential Analog Channel Inputs	I
AD _n	Single-Ended Analog Channel Inputs	I
V _{REFSH}	Voltage Reference Select High	I
V _{REFSL}	Voltage Reference Select Low	I
V _{DDA}	Analog Power Supply	I
V _{SSA}	Analog Ground	I

23.3.1 Analog Power (V_{DDA})

The ADC analog portion uses V_{DDA} as its power connection. In some packages, V_{DDA} is connected internally to V_{DD}. If externally available, connect the V_{DDA} pin to the same voltage potential as V_{DD}. External filtering may be necessary to ensure clean V_{DDA} for good results.

23.3.2 Analog Ground (V_{SSA})

The ADC analog portion uses V_{SSA} as its ground connection. In some packages, V_{SSA} is connected internally to V_{SS}. If externally available, connect the V_{SSA} pin to the same voltage potential as V_{SS}.

23.3.3 Voltage Reference Select

V_{REFSH} and V_{REFSL} are the high and low reference voltages for the ADC module.

The ADC can be configured to accept one of two voltage reference pairs for V_{REFSH} and V_{REFSL} . Each pair contains a positive reference that must be between the minimum Ref Voltage High and V_{DDA} , and a ground reference that must be at the same potential as V_{SSA} . The two pairs are external (V_{REFH} and V_{REFL}) and alternate (V_{ALTH} and V_{ALTL}). These voltage references are selected using $SC2[REFSEL]$. The alternate V_{ALTH} and V_{ALTL} voltage reference pair may select additional external pins or internal sources depending on MCU configuration. See the chip configuration information on the Voltage References specific to this MCU.

In some packages, V_{REFH} is connected in the package to V_{DDA} and V_{REFL} to V_{SSA} . If externally available, the positive reference(s) may be connected to the same potential as V_{DDA} or may be driven by an external source to a level between the minimum Ref Voltage High and the V_{DDA} potential. V_{REFH} must never exceed V_{DDA} . Connect the ground references to the same voltage potential as V_{SSA} .

23.3.4 Analog Channel Inputs (ADx)

The ADC module supports up to 24 single-ended analog inputs. A single-ended input is selected for conversion through the $SC1[ADCH]$ channel select bits when $SC1n[DIFF]$ is low.

23.3.5 Differential Analog Channel Inputs (DADx)

The ADC module supports up to four differential analog channel inputs. Each differential analog input is a pair of external pins, $DADPx$ and $DADMx$, referenced to each other to provide the most accurate analog to digital readings. A differential input is selected for conversion through $SC1[ADCH]$ when $SC1n[DIFF]$ is high. All $DADPx$ inputs may be used as single-ended inputs if $SC1n[DIFF]$ is low. In certain MCU configurations, some $DADMx$ inputs may also be used as single-ended inputs if $SC1n[DIFF]$ is low. For ADC connections specific to this device, see the chip-specific ADC information.

23.4 Memory map and register definitions

This section describes the ADC registers.

ADC memory map

Absolute address (hex)	Register name	Width (in bits)	Access	Reset value	Section/page
4003_B000	ADC Status and Control Registers 1 (ADC0_SC1A)	32	R/W	0000_001Fh	23.4.1/357
4003_B004	ADC Status and Control Registers 1 (ADC0_SC1B)	32	R/W	0000_001Fh	23.4.1/357
4003_B008	ADC Configuration Register 1 (ADC0_CFG1)	32	R/W	0000_0000h	23.4.2/360
4003_B00C	ADC Configuration Register 2 (ADC0_CFG2)	32	R/W	0000_0000h	23.4.3/361
4003_B010	ADC Data Result Register (ADC0_RA)	32	R	0000_0000h	23.4.4/362
4003_B014	ADC Data Result Register (ADC0_RB)	32	R	0000_0000h	23.4.4/362
4003_B018	Compare Value Registers (ADC0_CV1)	32	R/W	0000_0000h	23.4.5/364
4003_B01C	Compare Value Registers (ADC0_CV2)	32	R/W	0000_0000h	23.4.5/364
4003_B020	Status and Control Register 2 (ADC0_SC2)	32	R/W	0000_0000h	23.4.6/365
4003_B024	Status and Control Register 3 (ADC0_SC3)	32	R/W	0000_0000h	23.4.7/367
4003_B028	ADC Offset Correction Register (ADC0_OFS)	32	R/W	0000_0004h	23.4.8/368
4003_B02C	ADC Plus-Side Gain Register (ADC0_PG)	32	R/W	0000_8200h	23.4.9/369
4003_B030	ADC Minus-Side Gain Register (ADC0_MG)	32	R/W	0000_8200h	23.4.10/369
4003_B034	ADC Plus-Side General Calibration Value Register (ADC0_CLPD)	32	R/W	0000_000Ah	23.4.11/370
4003_B038	ADC Plus-Side General Calibration Value Register (ADC0_CLPS)	32	R/W	0000_0020h	23.4.12/371
4003_B03C	ADC Plus-Side General Calibration Value Register (ADC0_CLP4)	32	R/W	0000_0200h	23.4.13/371
4003_B040	ADC Plus-Side General Calibration Value Register (ADC0_CLP3)	32	R/W	0000_0100h	23.4.14/372
4003_B044	ADC Plus-Side General Calibration Value Register (ADC0_CLP2)	32	R/W	0000_0080h	23.4.15/372
4003_B048	ADC Plus-Side General Calibration Value Register (ADC0_CLP1)	32	R/W	0000_0040h	23.4.16/373
4003_B04C	ADC Plus-Side General Calibration Value Register (ADC0_CLP0)	32	R/W	0000_0020h	23.4.17/373
4003_B054	ADC Minus-Side General Calibration Value Register (ADC0_CLMD)	32	R/W	0000_000Ah	23.4.18/374
4003_B058	ADC Minus-Side General Calibration Value Register (ADC0_CLMS)	32	R/W	0000_0020h	23.4.19/374
4003_B05C	ADC Minus-Side General Calibration Value Register (ADC0_CLM4)	32	R/W	0000_0200h	23.4.20/375
4003_B060	ADC Minus-Side General Calibration Value Register (ADC0_CLM3)	32	R/W	0000_0100h	23.4.21/375
4003_B064	ADC Minus-Side General Calibration Value Register (ADC0_CLM2)	32	R/W	0000_0080h	23.4.22/376
4003_B068	ADC Minus-Side General Calibration Value Register (ADC0_CLM1)	32	R/W	0000_0040h	23.4.23/376
4003_B06C	ADC Minus-Side General Calibration Value Register (ADC0_CLM0)	32	R/W	0000_0020h	23.4.24/377

23.4.1 ADC Status and Control Registers 1 (ADCx_SC1n)

SC1A is used for both software and hardware trigger modes of operation.

To allow sequential conversions of the ADC to be triggered by internal peripherals, the ADC can have more than one status and control register: one for each conversion. The SC1B–SC1n registers indicate potentially multiple SC1 registers for use only in hardware trigger mode. See the chip configuration information about the number of SC1n registers specific to this device. The SC1n registers have identical fields, and are used in a "ping-pong" approach to control ADC operation.

At any one point in time, only one of the SC1n registers is actively controlling ADC conversions. Updating SC1A while SC1n is actively controlling a conversion is allowed, and vice-versa for any of the SC1n registers specific to this MCU.

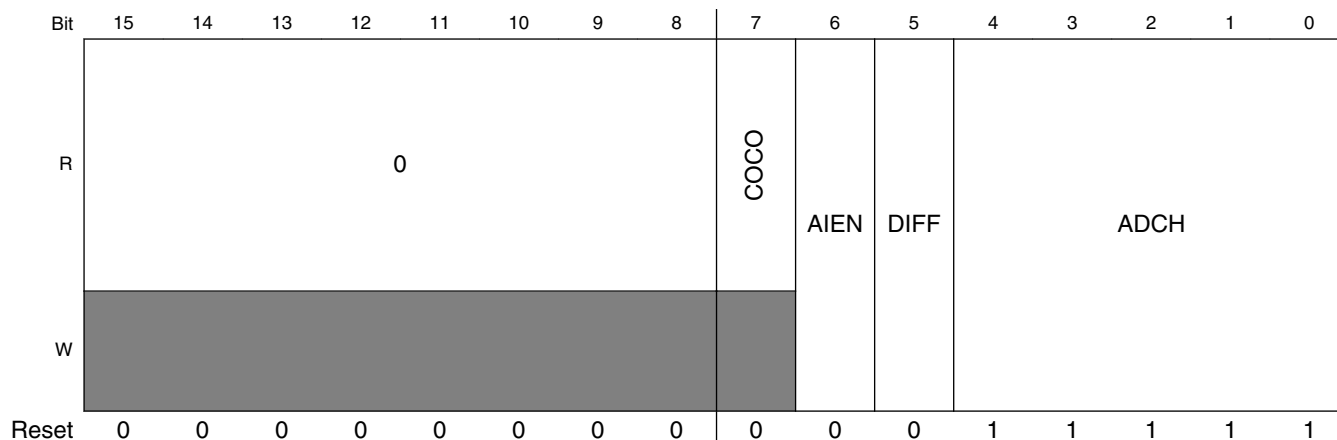
Writing SC1A while SC1A is actively controlling a conversion aborts the current conversion. In Software Trigger mode, when SC2[ADTRG]=0, writes to SC1A subsequently initiate a new conversion, if SC1[ADCH] contains a value other than all 1s (module disabled).

Writing any of the SC1n registers while that specific SC1n register is actively controlling a conversion aborts the current conversion. None of the SC1B–SC1n registers are used for software trigger operation and therefore writes to the SC1B–SC1n registers do not initiate a new conversion.

Address: 4003_B000h base + 0h offset + (4d × i), where i=0d to 1d

Bit	31	30	29	28	27	26	25	24	23	22	21	20	19	18	17	16	
R									0								
W																	
Reset	0	0	0	0	0	0	0	0	0	0	0	0	0	0	0	0	

Memory map and register definitions



ADCx_SC1n field descriptions

Field	Description
31–8 Reserved	This field is reserved. This read-only field is reserved and always has the value 0.
7 COCO	Conversion Complete Flag This is a read-only field that is set each time a conversion is completed when the compare function is disabled, or SC2[ACFE]=0 and the hardware average function is disabled, or SC3[AVGE]=0. When the compare function is enabled, or SC2[ACFE]=1, COCO is set upon completion of a conversion only if the compare result is true. When the hardware average function is enabled, or SC3[AVGE]=1, COCO is set upon completion of the selected number of conversions (determined by AVGS). COCO in SC1A is also set at the completion of a calibration sequence. COCO is cleared when the respective SC1n register is written or when the respective Rn register is read. 0 Conversion is not completed. 1 Conversion is completed.
6 AIEN	Interrupt Enable Enables conversion complete interrupts. When COCO becomes set while the respective AIEN is high, an interrupt is asserted. 0 Conversion complete interrupt is disabled. 1 Conversion complete interrupt is enabled.
5 DIFF	Differential Mode Enable Configures the ADC to operate in differential mode. When enabled, this mode automatically selects from the differential channels, and changes the conversion algorithm and the number of cycles to complete a conversion. 0 Single-ended conversions and input channels are selected. 1 Differential conversions and input channels are selected.
ADCH	Input channel select Selects one of the input channels. The input channel decode depends on the value of DIFF. DAD0-DAD3 are associated with the input pin pairs DADPx and DADMx. NOTE: Some of the input channel options in the bitfield-setting descriptions might not be available for your device. For the actual ADC channel assignments for your device, see the Chip Configuration details.

Table continues on the next page...

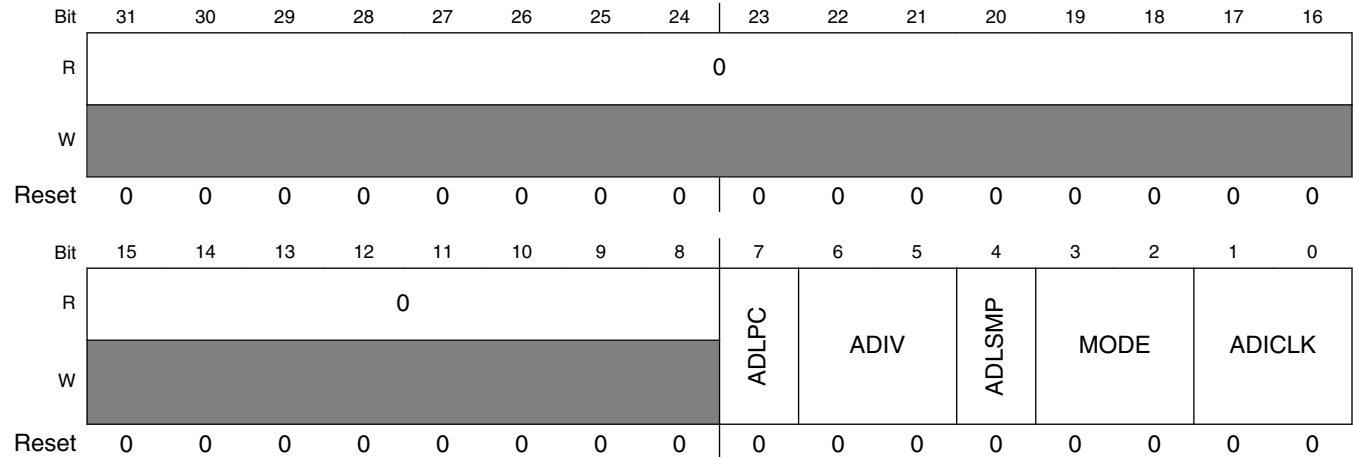
ADCx_SC1n field descriptions (continued)

Field	Description
	The successive approximation converter subsystem is turned off when the channel select bits are all set, that is, ADCH = 11111. This feature allows explicit disabling of the ADC and isolation of the input channel from all sources. Terminating continuous conversions this way prevents an additional single conversion from being performed. It is not necessary to set ADCH to all 1s to place the ADC in a low-power state when continuous conversions are not enabled because the module automatically enters a low-power state when a conversion completes.
00000	When DIFF=0, DADP0 is selected as input; when DIFF=1, DAD0 is selected as input.
00001	When DIFF=0, DADP1 is selected as input; when DIFF=1, DAD1 is selected as input.
00010	When DIFF=0, DADP2 is selected as input; when DIFF=1, DAD2 is selected as input.
00011	When DIFF=0, DADP3 is selected as input; when DIFF=1, DAD3 is selected as input.
00100	When DIFF=0, AD4 is selected as input; when DIFF=1, it is reserved.
00101	When DIFF=0, AD5 is selected as input; when DIFF=1, it is reserved.
00110	When DIFF=0, AD6 is selected as input; when DIFF=1, it is reserved.
00111	When DIFF=0, AD7 is selected as input; when DIFF=1, it is reserved.
01000	When DIFF=0, AD8 is selected as input; when DIFF=1, it is reserved.
01001	When DIFF=0, AD9 is selected as input; when DIFF=1, it is reserved.
01010	When DIFF=0, AD10 is selected as input; when DIFF=1, it is reserved.
01011	When DIFF=0, AD11 is selected as input; when DIFF=1, it is reserved.
01100	When DIFF=0, AD12 is selected as input; when DIFF=1, it is reserved.
01101	When DIFF=0, AD13 is selected as input; when DIFF=1, it is reserved.
01110	When DIFF=0, AD14 is selected as input; when DIFF=1, it is reserved.
01111	When DIFF=0, AD15 is selected as input; when DIFF=1, it is reserved.
10000	When DIFF=0, AD16 is selected as input; when DIFF=1, it is reserved.
10001	When DIFF=0, AD17 is selected as input; when DIFF=1, it is reserved.
10010	When DIFF=0, AD18 is selected as input; when DIFF=1, it is reserved.
10011	When DIFF=0, AD19 is selected as input; when DIFF=1, it is reserved.
10100	When DIFF=0, AD20 is selected as input; when DIFF=1, it is reserved.
10101	When DIFF=0, AD21 is selected as input; when DIFF=1, it is reserved.
10110	When DIFF=0, AD22 is selected as input; when DIFF=1, it is reserved.
10111	When DIFF=0, AD23 is selected as input; when DIFF=1, it is reserved.
11000	Reserved.
11001	Reserved.
11010	When DIFF=0, Temp Sensor (single-ended) is selected as input; when DIFF=1, Temp Sensor (differential) is selected as input.
11011	When DIFF=0, Bandgap (single-ended) is selected as input; when DIFF=1, Bandgap (differential) is selected as input.
11100	Reserved.
11101	When DIFF=0, V _{REFSH} is selected as input; when DIFF=1, -V _{REFSH} (differential) is selected as input. Voltage reference selected is determined by SC2[REFSEL].
11110	When DIFF=0, V _{REFSL} is selected as input; when DIFF=1, it is reserved. Voltage reference selected is determined by SC2[REFSEL].
11111	Module is disabled.

23.4.2 ADC Configuration Register 1 (ADCx_CFG1)

The configuration Register 1 (CFG1) selects the mode of operation, clock source, clock divide, and configuration for low power or long sample time.

Address: 4003_B000h base + 8h offset = 4003_B008h



ADCx_CFG1 field descriptions

Field	Description
31–8 Reserved	This field is reserved. This read-only field is reserved and always has the value 0.
7 ADLPC	Low-Power Configuration Controls the power configuration of the successive approximation converter. This optimizes power consumption when higher sample rates are not required. 0 Normal power configuration. 1 Low-power configuration. The power is reduced at the expense of maximum clock speed.
6–5 ADIV	Clock Divide Select Selects the divide ratio used by the ADC to generate the internal clock ADCK. 00 The divide ratio is 1 and the clock rate is input clock. 01 The divide ratio is 2 and the clock rate is (input clock)/2. 10 The divide ratio is 4 and the clock rate is (input clock)/4. 11 The divide ratio is 8 and the clock rate is (input clock)/8.
4 ADLSMP	Sample Time Configuration Selects between different sample times based on the conversion mode selected. This field adjusts the sample period to allow higher impedance inputs to be accurately sampled or to maximize conversion speed for lower impedance inputs. Longer sample times can also be used to lower overall power consumption if continuous conversions are enabled and high conversion rates are not required. When ADLSMP=1, the long sample time select bits, (ADLSTS[1:0]), can select the extent of the long sample time.

Table continues on the next page...

ADCx_CFG1 field descriptions (continued)

Field	Description
	0 Short sample time. 1 Long sample time.
3–2 MODE	Conversion mode selection Selects the ADC resolution mode. 00 When DIFF=0:It is single-ended 8-bit conversion; when DIFF=1, it is differential 9-bit conversion with 2's complement output. 01 When DIFF=0:It is single-ended 12-bit conversion ; when DIFF=1, it is differential 13-bit conversion with 2's complement output. 10 When DIFF=0:It is single-ended 10-bit conversion. ; when DIFF=1, it is differential 11-bit conversion with 2's complement output 11 When DIFF=0:It is single-ended 16-bit conversion..; when DIFF=1, it is differential 16-bit conversion with 2's complement output
ADICLK	Input Clock Select Selects the input clock source to generate the internal clock, ADCK. Note that when the ADACK clock source is selected, it is not required to be active prior to conversion start. When it is selected and it is not active prior to a conversion start, when CFG2[ADACKEN]=0, the asynchronous clock is activated at the start of a conversion and deactivated when conversions are terminated. In this case, there is an associated clock startup delay each time the clock source is re-activated. 00 Bus clock 01 Bus clock divided by 2(BUSCLK/2) 10 Alternate clock (ALTCLK) 11 Asynchronous clock (ADACK)

23.4.3 ADC Configuration Register 2 (ADCx_CFG2)

Configuration Register 2 (CFG2) selects the special high-speed configuration for very high speed conversions and selects the long sample time duration during long sample mode.

Address: 4003_B000h base + Ch offset = 4003_B00Ch

Bit	31	30	29	28	27	26	25	24	23	22	21	20	19	18	17	16
R	0															
W																
Reset	0	0	0	0	0	0	0	0	0	0	0	0	0	0	0	0
Bit	15	14	13	12	11	10	9	8	7	6	5	4	3	2	1	0
R	0								0				MUXSEL	ADACKEN	ADHSC	ADLSTS
W																
Reset	0	0	0	0	0	0	0	0	0	0	0	0	0	0	0	0

ADCx_CFG2 field descriptions

Field	Description
31–8 Reserved	This field is reserved. This read-only field is reserved and always has the value 0.
7–5 Reserved	This field is reserved. This read-only field is reserved and always has the value 0.
4 MUXSEL	ADC Mux Select Changes the ADC mux setting to select between alternate sets of ADC channels. 0 ADxxa channels are selected. 1 ADxxb channels are selected.
3 ADACKEN	Asynchronous Clock Output Enable Enables the asynchronous clock source and the clock source output regardless of the conversion and status of CFG1[ADICLK]. Based on MCU configuration, the asynchronous clock may be used by other modules. See chip configuration information. Setting this field allows the clock to be used even while the ADC is idle or operating from a different clock source. Also, latency of initiating a single or first-continuous conversion with the asynchronous clock selected is reduced because the ADACK clock is already operational. 0 Asynchronous clock output disabled; Asynchronous clock is enabled only if selected by ADICLK and a conversion is active. 1 Asynchronous clock and clock output is enabled regardless of the state of the ADC.
2 ADHSC	High-Speed Configuration Configures the ADC for very high-speed operation. The conversion sequence is altered with 2 ADCK cycles added to the conversion time to allow higher speed conversion clocks. 0 Normal conversion sequence selected. 1 High-speed conversion sequence selected with 2 additional ADCK cycles to total conversion time.
ADLSTS	Long Sample Time Select Selects between the extended sample times when long sample time is selected, that is, when CFG1[ADLSMP]=1. This allows higher impedance inputs to be accurately sampled or to maximize conversion speed for lower impedance inputs. Longer sample times can also be used to lower overall power consumption when continuous conversions are enabled if high conversion rates are not required. 00 Default longest sample time; 20 extra ADCK cycles; 24 ADCK cycles total. 01 12 extra ADCK cycles; 16 ADCK cycles total sample time. 10 6 extra ADCK cycles; 10 ADCK cycles total sample time. 11 2 extra ADCK cycles; 6 ADCK cycles total sample time.

23.4.4 ADC Data Result Register (ADCx_Rn)

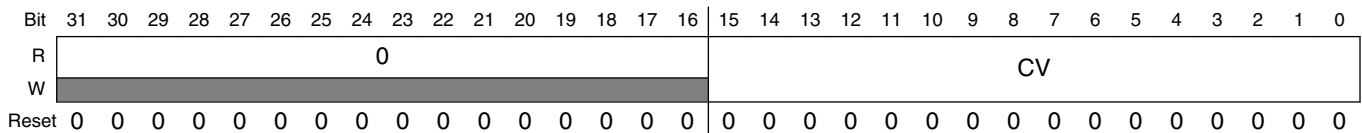
The data result registers (Rn) contain the result of an ADC conversion of the channel selected by the corresponding status and channel control register (SC1A:SC1n). For every status and channel control register, there is a corresponding data result register.

23.4.5 Compare Value Registers (ADCx_CVn)

The Compare Value Registers (CV1 and CV2) contain a compare value used to compare the conversion result when the compare function is enabled, that is, SC2[ACFE]=1. This register is formatted in the same way as the Rn registers in different modes of operation for both bit position definition and value format using unsigned or sign-extended 2's complement. Therefore, the compare function uses only the CVn fields that are related to the ADC mode of operation.

The compare value 2 register (CV2) is used only when the compare range function is enabled, that is, SC2[ACREN]=1.

Address: 4003_B000h base + 18h offset + (4d × i), where i=0d to 1d



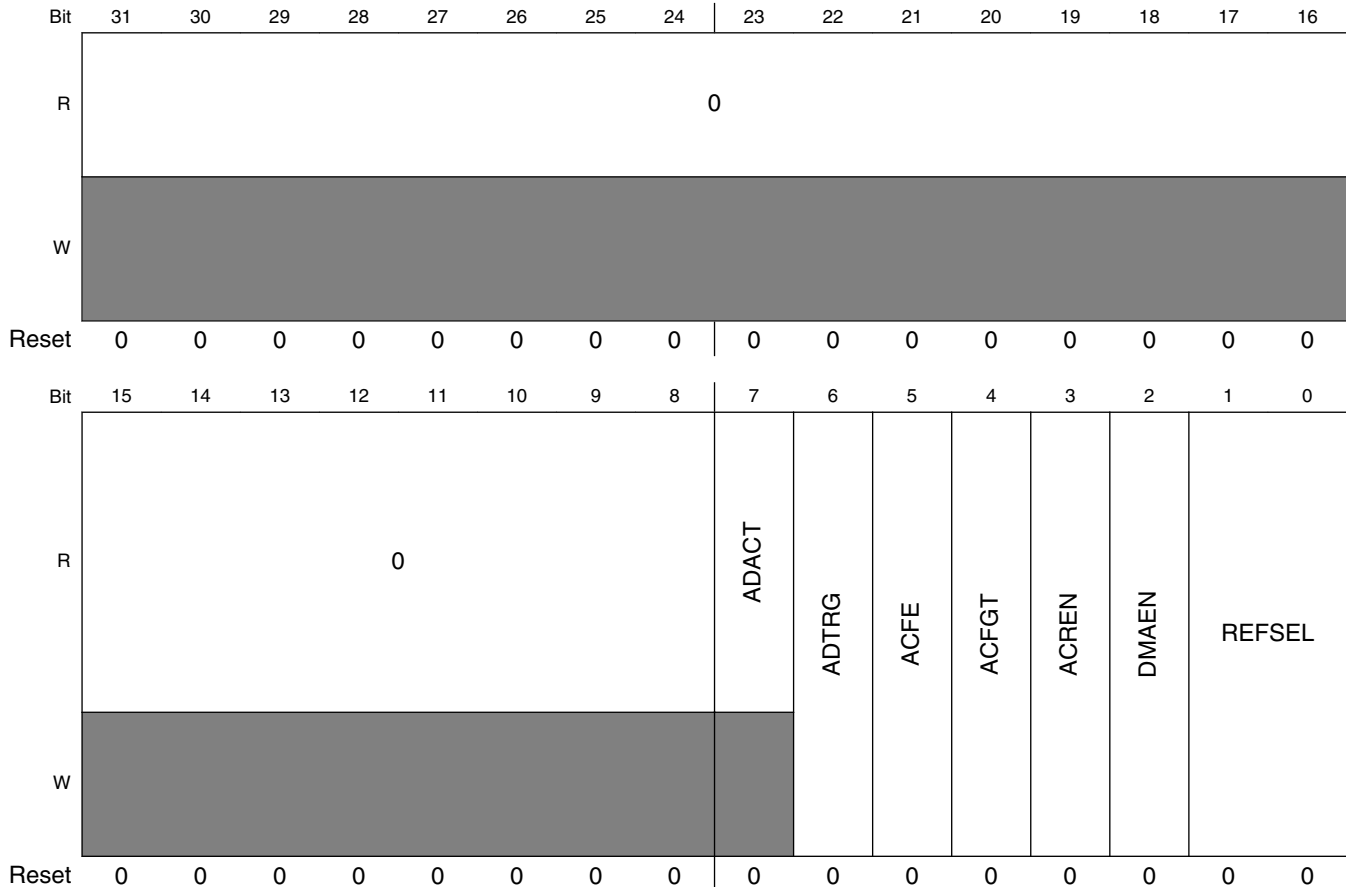
ADCx_CVn field descriptions

Field	Description
31–16 Reserved	This field is reserved. This read-only field is reserved and always has the value 0.
CV	Compare Value.

23.4.6 Status and Control Register 2 (ADCx_SC2)

The status and control register 2 (SC2) contains the conversion active, hardware/software trigger select, compare function, and voltage reference select of the ADC module.

Address: 4003_B000h base + 20h offset = 4003_B020h



ADCx_SC2 field descriptions

Field	Description
31–8 Reserved	This field is reserved. This read-only field is reserved and always has the value 0.
7 ADACT	Conversion Active Indicates that a conversion or hardware averaging is in progress. ADACT is set when a conversion is initiated and cleared when a conversion is completed or aborted. 0 Conversion not in progress. 1 Conversion in progress.
6 ADTRG	Conversion Trigger Select Selects the type of trigger used for initiating a conversion. Two types of trigger are selectable:

Table continues on the next page...

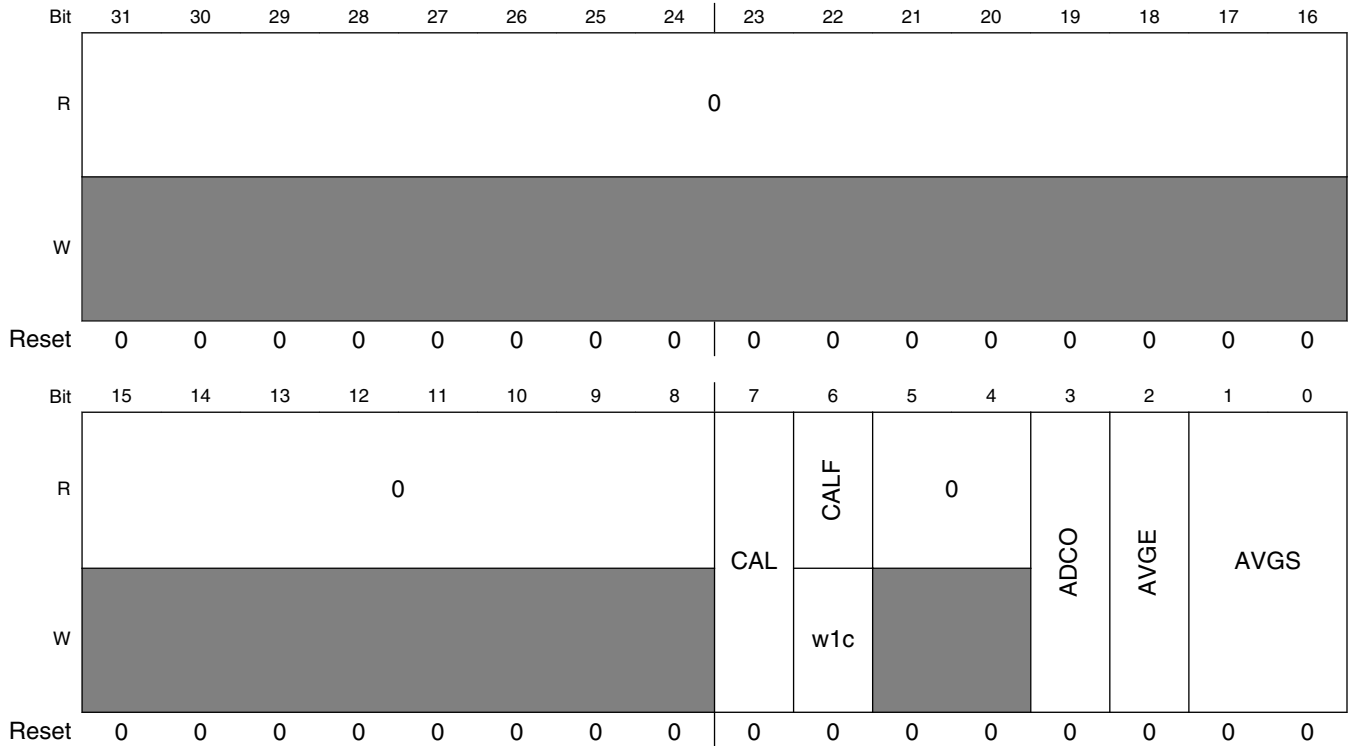
ADCx_SC2 field descriptions (continued)

Field	Description
	<ul style="list-style-type: none"> Software trigger: When software trigger is selected, a conversion is initiated following a write to SC1A. Hardware trigger: When hardware trigger is selected, a conversion is initiated following the assertion of the ADHWT input after a pulse of the ADHWTSn input. <p>0 Software trigger selected. 1 Hardware trigger selected.</p>
5 ACFE	<p>Compare Function Enable</p> <p>Enables the compare function.</p> <p>0 Compare function disabled. 1 Compare function enabled.</p>
4 ACFGT	<p>Compare Function Greater Than Enable</p> <p>Configures the compare function to check the conversion result relative to the CV1 and CV2 based upon the value of ACREN. ACFE must be set for ACFGT to have any effect.</p> <p>0 Configures less than threshold, outside range not inclusive and inside range not inclusive; functionality based on the values placed in CV1 and CV2. 1 Configures greater than or equal to threshold, outside and inside ranges inclusive; functionality based on the values placed in CV1 and CV2.</p>
3 ACREN	<p>Compare Function Range Enable</p> <p>Configures the compare function to check if the conversion result of the input being monitored is either between or outside the range formed by CV1 and CV2 determined by the value of ACFGT. ACFE must be set for ACFGT to have any effect.</p> <p>0 Range function disabled. Only CV1 is compared. 1 Range function enabled. Both CV1 and CV2 are compared.</p>
2 DMAEN	<p>DMA Enable</p> <p>0 DMA is disabled. 1 DMA is enabled and will assert the ADC DMA request during an ADC conversion complete event noted when any of the SC1n[COCO] flags is asserted.</p>
REFSEL	<p>Voltage Reference Selection</p> <p>Selects the voltage reference source used for conversions.</p> <p>00 Default voltage reference pin pair, that is, external pins V_{REFH} and V_{REFL} 01 Alternate reference pair, that is, V_{ALTH} and V_{ALT L}. This pair may be additional external pins or internal sources depending on the MCU configuration. See the chip configuration information for details specific to this MCU 10 Reserved 11 Reserved</p>

23.4.7 Status and Control Register 3 (ADCx_SC3)

The Status and Control Register 3 (SC3) controls the calibration, continuous convert, and hardware averaging functions of the ADC module.

Address: 4003_B000h base + 24h offset = 4003_B024h



ADCx_SC3 field descriptions

Field	Description
31–8 Reserved	This field is reserved. This read-only field is reserved and always has the value 0.
7 CAL	Calibration Begins the calibration sequence when set. This field stays set while the calibration is in progress and is cleared when the calibration sequence is completed. CALF must be checked to determine the result of the calibration sequence. Once started, the calibration routine cannot be interrupted by writes to the ADC registers or the results will be invalid and CALF will set. Setting CAL will abort any current conversion.
6 CALF	Calibration Failed Flag Displays the result of the calibration sequence. The calibration sequence will fail if SC2[ADTRG] = 1, any ADC register is written, or any stop mode is entered before the calibration sequence completes. Writing 1 to CALF clears it. 0 Calibration completed normally. 1 Calibration failed. ADC accuracy specifications are not guaranteed.

Table continues on the next page...

ADCx_SC3 field descriptions (continued)

Field	Description
5-4 Reserved	This field is reserved. This read-only field is reserved and always has the value 0.
3 ADCO	Continuous Conversion Enable Enables continuous conversions. 0 One conversion or one set of conversions if the hardware average function is enabled, that is, AVGE=1, after initiating a conversion. 1 Continuous conversions or sets of conversions if the hardware average function is enabled, that is, AVGE=1, after initiating a conversion.
2 AVGE	Hardware Average Enable Enables the hardware average function of the ADC. 0 Hardware average function disabled. 1 Hardware average function enabled.
AVGS	Hardware Average Select Determines how many ADC conversions will be averaged to create the ADC average result. 00 4 samples averaged. 01 8 samples averaged. 10 16 samples averaged. 11 32 samples averaged.

23.4.8 ADC Offset Correction Register (ADCx_OFS)

The ADC Offset Correction Register (OFS) contains the user-selected or calibration-generated offset error correction value. This register is a 2’s complement, left-justified, 16-bit value . The value in OFS is subtracted from the conversion and the result is transferred into the result registers, Rn. If the result is greater than the maximum or less than the minimum result value, it is forced to the appropriate limit for the current mode of operation.

For more information regarding the calibration procedure, please refer to the [Calibration function](#) section.

Address: 4003_B000h base + 28h offset = 4003_B028h

Bit	31	30	29	28	27	26	25	24	23	22	21	20	19	18	17	16	15	14	13	12	11	10	9	8	7	6	5	4	3	2	1	0	
R	0																OFS																
W	0																0																
Reset	0	0	0	0	0	0	0	0	0	0	0	0	0	0	0	0	0	0	0	0	0	0	0	0	0	0	0	0	0	0	1	0	0

ADCx_OFS field descriptions

Field	Description
31–16 Reserved	This field is reserved. This read-only field is reserved and always has the value 0.
OFS	Offset Error Correction Value

23.4.9 ADC Plus-Side Gain Register (ADCx_PG)

The Plus-Side Gain Register (PG) contains the gain error correction for the plus-side input in differential mode or the overall conversion in single-ended mode. PG, a 16-bit real number in binary format, is the gain adjustment factor, with the radix point fixed between PG[15] and PG[14]. This register must be written by the user with the value described in the calibration procedure. Otherwise, the gain error specifications may not be met.

For more information regarding the calibration procedure, please refer to the [Calibration function](#) section.

Address: 4003_B000h base + 2Ch offset = 4003_B02Ch

Bit	31	30	29	28	27	26	25	24	23	22	21	20	19	18	17	16	15	14	13	12	11	10	9	8	7	6	5	4	3	2	1	0
R	0																PG															
W	0																0															
Reset	0	0	0	0	0	0	0	0	0	0	0	0	0	0	0	0	1	0	0	0	0	0	0	1	0	0	0	0	0	0	0	0

ADCx_PG field descriptions

Field	Description
31–16 Reserved	This field is reserved. This read-only field is reserved and always has the value 0.
PG	Plus-Side Gain

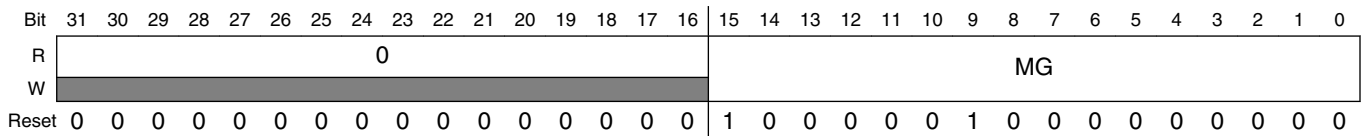
23.4.10 ADC Minus-Side Gain Register (ADCx_MG)

The Minus-Side Gain Register (MG) contains the gain error correction for the minus-side input in differential mode. This register is ignored in single-ended mode. MG, a 16-bit real number in binary format, is the gain adjustment factor, with the radix point fixed between MG[15] and MG[14]. This register must be written by the user with the value described in the calibration procedure. Otherwise, the gain error specifications may not be met.

Memory map and register definitions

For more information regarding the calibration procedure, please refer to the [Calibration function](#) section.

Address: 4003_B000h base + 30h offset = 4003_B030h



ADCx_MG field descriptions

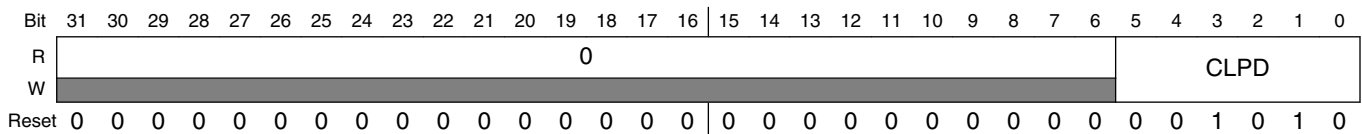
Field	Description
31–16 Reserved	This field is reserved. This read-only field is reserved and always has the value 0.
MG	Minus-Side Gain

23.4.11 ADC Plus-Side General Calibration Value Register (ADCx_CLPD)

The Plus-Side General Calibration Value Registers (CLPx) contain calibration information that is generated by the calibration function. These registers contain seven calibration values of varying widths: CLP0[5:0], CLP1[6:0], CLP2[7:0], CLP3[8:0], CLP4[9:0], CLPS[5:0], and CLPD[5:0]. CLPx are automatically set when the self-calibration sequence is done, that is, CAL is cleared. If these registers are written by the user after calibration, the linearity error specifications may not be met.

For more information regarding the calibration procedure, please refer to the [Calibration function](#) section.

Address: 4003_B000h base + 34h offset = 4003_B034h



ADCx_CLPD field descriptions

Field	Description
31–6 Reserved	This field is reserved. This read-only field is reserved and always has the value 0.
CLPD	Calibration Value Calibration Value

23.4.12 ADC Plus-Side General Calibration Value Register (ADCx_CLPS)

For more information, see CLPD register description.

Address: 4003_B000h base + 38h offset = 4003_B038h

Bit	31	30	29	28	27	26	25	24	23	22	21	20	19	18	17	16	15	14	13	12	11	10	9	8	7	6	5	4	3	2	1	0
R	0																CLPS															
W																																
Reset	0	0	0	0	0	0	0	0	0	0	0	0	0	0	0	0	0	0	0	0	0	0	0	0	0	0	1	0	0	0	0	0

ADCx_CLPS field descriptions

Field	Description
31–6 Reserved	This field is reserved. This read-only field is reserved and always has the value 0.
CLPS	Calibration Value Calibration Value

23.4.13 ADC Plus-Side General Calibration Value Register (ADCx_CLP4)

For more information, see CLPD register description.

Address: 4003_B000h base + 3Ch offset = 4003_B03Ch

Bit	31	30	29	28	27	26	25	24	23	22	21	20	19	18	17	16	15	14	13	12	11	10	9	8	7	6	5	4	3	2	1	0
R	0																CLP4															
W																																
Reset	0	0	0	0	0	0	0	0	0	0	0	0	0	0	0	0	0	0	0	0	0	0	1	0	0	0	0	0	0	0	0	0

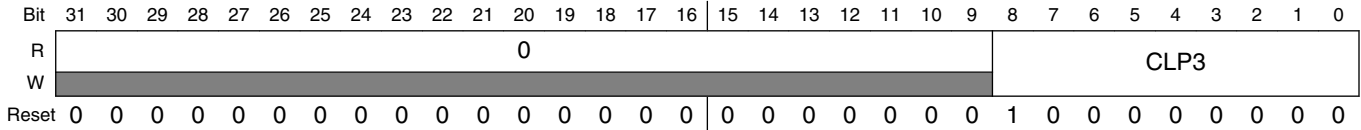
ADCx_CLP4 field descriptions

Field	Description
31–10 Reserved	This field is reserved. This read-only field is reserved and always has the value 0.
CLP4	Calibration Value Calibration Value

23.4.14 ADC Plus-Side General Calibration Value Register (ADCx_CLP3)

For more information, see CLPD register description.

Address: 4003_B000h base + 40h offset = 4003_B040h



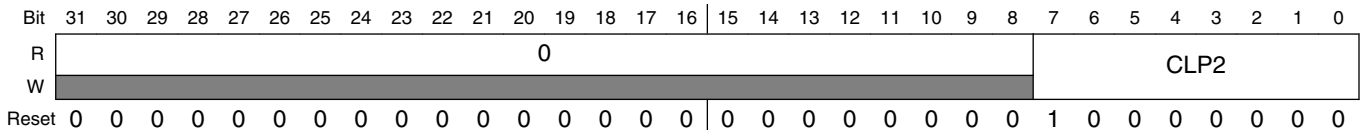
ADCx_CLP3 field descriptions

Field	Description
31–9 Reserved	This field is reserved. This read-only field is reserved and always has the value 0.
CLP3	Calibration Value Calibration Value

23.4.15 ADC Plus-Side General Calibration Value Register (ADCx_CLP2)

For more information, see CLPD register description.

Address: 4003_B000h base + 44h offset = 4003_B044h



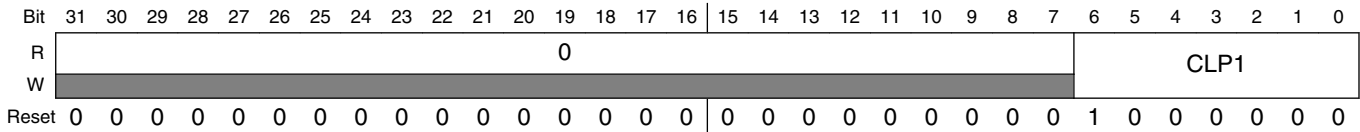
ADCx_CLP2 field descriptions

Field	Description
31–8 Reserved	This field is reserved. This read-only field is reserved and always has the value 0.
CLP2	Calibration Value Calibration Value

23.4.16 ADC Plus-Side General Calibration Value Register (ADCx_CLP1)

For more information, see CLPD register description.

Address: 4003_B000h base + 48h offset = 4003_B048h



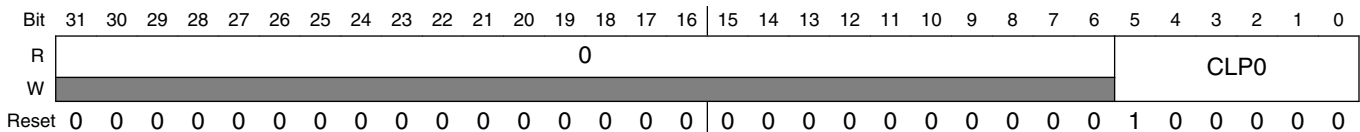
ADCx_CLP1 field descriptions

Field	Description
31–7 Reserved	This field is reserved. This read-only field is reserved and always has the value 0.
CLP1	Calibration Value Calibration Value

23.4.17 ADC Plus-Side General Calibration Value Register (ADCx_CLP0)

For more information, see CLPD register description.

Address: 4003_B000h base + 4Ch offset = 4003_B04Ch



ADCx_CLP0 field descriptions

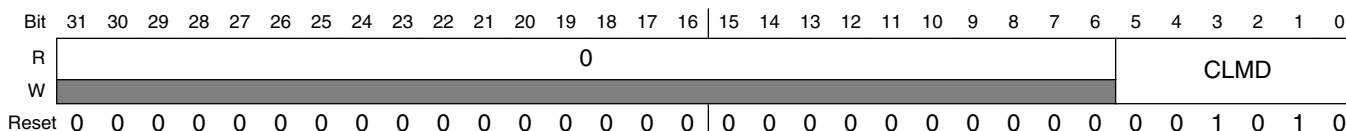
Field	Description
31–6 Reserved	This field is reserved. This read-only field is reserved and always has the value 0.
CLP0	Calibration Value Calibration Value

23.4.18 ADC Minus-Side General Calibration Value Register (ADCx_CLMD)

The Minus-Side General Calibration Value (CLMx) registers contain calibration information that is generated by the calibration function. These registers contain seven calibration values of varying widths: CLM0[5:0], CLM1[6:0], CLM2[7:0], CLM3[8:0], CLM4[9:0], CLMS[5:0], and CLMD[5:0]. CLMx are automatically set when the self-calibration sequence is done, that is, CAL is cleared. If these registers are written by the user after calibration, the linearity error specifications may not be met.

For more information regarding the calibration procedure, please refer to the [Calibration function](#) section.

Address: 4003_B000h base + 54h offset = 4003_B054h



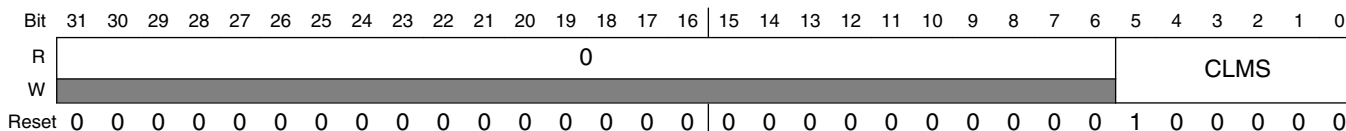
ADCx_CLMD field descriptions

Field	Description
31–6 Reserved	This field is reserved. This read-only field is reserved and always has the value 0.
CLMD	Calibration Value Calibration Value

23.4.19 ADC Minus-Side General Calibration Value Register (ADCx_CLMS)

For more information, see CLMD register description.

Address: 4003_B000h base + 58h offset = 4003_B058h



ADCx_CLMS field descriptions

Field	Description
31–6 Reserved	This field is reserved. This read-only field is reserved and always has the value 0.
CLMS	Calibration Value Calibration Value

23.4.20 ADC Minus-Side General Calibration Value Register (ADCx_CLM4)

For more information, see CLMD register description.

Address: 4003_B000h base + 5Ch offset = 4003_B05Ch

Bit	31	30	29	28	27	26	25	24	23	22	21	20	19	18	17	16	15	14	13	12	11	10	9	8	7	6	5	4	3	2	1	0
R	0																CLM4															
W	0																0															
Reset	0	0	0	0	0	0	0	0	0	0	0	0	0	0	0	0	0	0	0	0	0	0	1	0	0	0	0	0	0	0	0	0

ADCx_CLM4 field descriptions

Field	Description
31–10 Reserved	This field is reserved. This read-only field is reserved and always has the value 0.
CLM4	Calibration Value Calibration Value

23.4.21 ADC Minus-Side General Calibration Value Register (ADCx_CLM3)

For more information, see CLMD register description.

Address: 4003_B000h base + 60h offset = 4003_B060h

Bit	31	30	29	28	27	26	25	24	23	22	21	20	19	18	17	16	15	14	13	12	11	10	9	8	7	6	5	4	3	2	1	0
R	0																CLM3															
W	0																0															
Reset	0	0	0	0	0	0	0	0	0	0	0	0	0	0	0	0	0	0	0	0	0	0	0	1	0	0	0	0	0	0	0	0

ADCx_CLM3 field descriptions

Field	Description
31–9 Reserved	This field is reserved. This read-only field is reserved and always has the value 0.

Table continues on the next page...

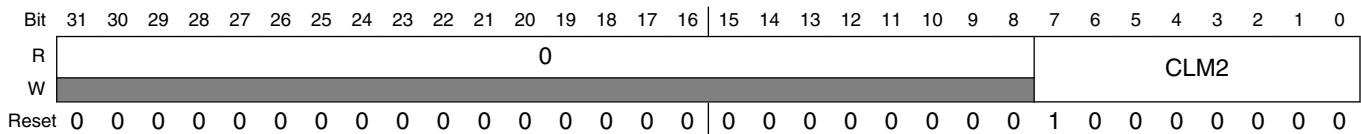
ADCx_CLM3 field descriptions (continued)

Field	Description
CLM3	Calibration Value
	Calibration Value

23.4.22 ADC Minus-Side General Calibration Value Register (ADCx_CLM2)

For more information, see CLMD register description.

Address: 4003_B000h base + 64h offset = 4003_B064h



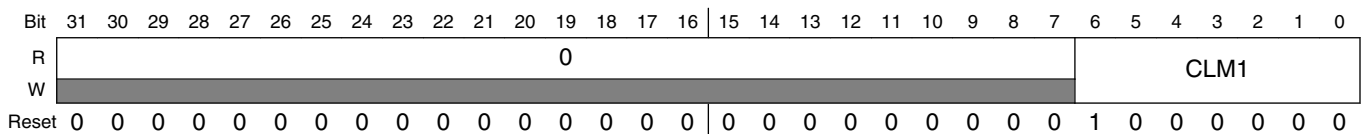
ADCx_CLM2 field descriptions

Field	Description
31–8 Reserved	This field is reserved. This read-only field is reserved and always has the value 0.
CLM2	Calibration Value
	Calibration Value

23.4.23 ADC Minus-Side General Calibration Value Register (ADCx_CLM1)

For more information, see CLMD register description.

Address: 4003_B000h base + 68h offset = 4003_B068h



ADCx_CLM1 field descriptions

Field	Description
31–7 Reserved	This field is reserved. This read-only field is reserved and always has the value 0.
CLM1	Calibration Value
	Calibration Value

23.4.24 ADC Minus-Side General Calibration Value Register (ADCx_CLM0)

For more information, see CLMD register description.

Address: 4003_B000h base + 6Ch offset = 4003_B06Ch

Bit	31	30	29	28	27	26	25	24	23	22	21	20	19	18	17	16	15	14	13	12	11	10	9	8	7	6	5	4	3	2	1	0
R	0																CLM0															
W																																
Reset	0	0	0	0	0	0	0	0	0	0	0	0	0	0	0	0	0	0	0	0	0	0	0	0	0	0	1	0	0	0	0	0

ADCx_CLM0 field descriptions

Field	Description
31–6 Reserved	This field is reserved. This read-only field is reserved and always has the value 0.
CLM0	Calibration Value Calibration Value

23.5 Functional description

The ADC module is disabled during reset, in Low-Power Stop mode, or when SC1n[ADCH] are all high; see the power management information for details. The module is idle when a conversion has completed and another conversion has not been initiated. When it is idle and the asynchronous clock output enable is disabled, or CFG2[ADACKEN]= 0, the module is in its lowest power state. The ADC can perform an analog-to-digital conversion on any of the software selectable channels. All modes perform conversion by a successive approximation algorithm.

To meet accuracy specifications, the ADC module must be calibrated using the on-chip calibration function.

See [Calibration function](#) for details on how to perform calibration.

When the conversion is completed, the result is placed in the Rn data registers. The respective SC1n[COCO] is then set and an interrupt is generated if the respective conversion complete interrupt has been enabled, or, when SC1n[AIEN]=1.

The ADC module has the capability of automatically comparing the result of a conversion with the contents of the CV1 and CV2 registers. The compare function is enabled by setting SC2[ACFE] and operates in any of the conversion modes and configurations.

The ADC module has the capability of automatically averaging the result of multiple conversions. The hardware average function is enabled by setting SC3[AVGE] and operates in any of the conversion modes and configurations.

NOTE

For the chip specific modes of operation, see the power management information of this MCU.

23.5.1 Clock select and divide control

One of four clock sources can be selected as the clock source for the ADC module.

This clock source is then divided by a configurable value to generate the input clock ADCK, to the module. The clock is selected from one of the following sources by means of CFG1[ADICLK].

- Bus clock. This is the default selection following reset.
- Bus clock divided by two. For higher bus clock rates, this allows a maximum divide-by-16 of the bus clock using CFG1[ADIV].
- ALTCLK: As defined for this MCU. See the chip configuration information. Conversions are possible using ALTCLK as the input clock source while the MCU is in Normal Stop mode.
- Asynchronous clock (ADACK): This clock is generated from a clock source within the ADC module. When the ADACK clock source is selected, it is not required to be active prior to conversion start. When it is selected and it is not active prior to a conversion start CFG2[ADACKEN]=0, ADACK is activated at the start of a conversion and deactivated when conversions are terminated. In this case, there is an associated clock startup delay each time the clock source is re-activated. To avoid the conversion time variability and latency associated with the ADACK clock startup, set CFG2[ADACKEN]=1 and wait the worst-case startup time of 5 μ s prior to initiating any conversions using the ADACK clock source. Conversions are possible using ADACK as the input clock source while the MCU is in Normal Stop mode. See [Power Control](#) for more information.

Whichever clock is selected, its frequency must fall within the specified frequency range for ADCK. If the available clocks are too slow, the ADC may not perform according to specifications. If the available clocks are too fast, the clock must be divided to the appropriate frequency. This divider is specified by CFG1[ADIV] and can be divide-by 1, 2, 4, or 8.

23.5.2 Voltage reference selection

The ADC can be configured to accept one of the two voltage reference pairs as the reference voltage (V_{REFSH} and V_{REFSL}) used for conversions.

Each pair contains a positive reference that must be between the minimum Ref Voltage High and V_{DDA} , and a ground reference that must be at the same potential as V_{SSA} . The two pairs are external (V_{REFH} and V_{REFL}) and alternate (V_{ALTH} and V_{ALTL}). These voltage references are selected using $SC2[REFSEL]$. The alternate (V_{ALTH} and V_{ALTL}) voltage reference pair may select additional external pins or internal sources depending on MCU configuration. See the chip configuration information on the voltage references specific to this MCU.

23.5.3 Hardware trigger and channel selects

The ADC module has a selectable asynchronous hardware conversion trigger, ADHWT, that is enabled when $SC2[ADTRG]$ is set and a hardware trigger select event, ADHWTSn, has occurred.

This source is not available on all MCUs. See the chip-specific ADC information for information on the ADHWT source and the ADHWTSn configurations specific to this MCU.

When an ADHWT source is available and hardware trigger is enabled, that is $SC2[ADTRG]=1$, a conversion is initiated on the rising-edge of ADHWT after a hardware trigger select event, that is, ADHWTSn, has occurred. If a conversion is in progress when a rising-edge of a trigger occurs, the rising-edge is ignored. In continuous convert configuration, only the initial rising-edge to launch continuous conversions is observed, and until conversion is aborted, the ADC continues to do conversions on the same SCn register that initiated the conversion. The hardware trigger function operates in conjunction with any of the conversion modes and configurations.

The hardware trigger select event, ADHWTSn, must be set prior to the receipt of the ADHWT signal. If these conditions are not met, the converter may ignore the trigger or use the incorrect configuration. If a hardware trigger select event is asserted during a conversion, it must stay asserted until the end of current conversion and remain set until the receipt of the ADHWT signal to trigger a new conversion. The channel and status fields selected for the conversion depend on the active trigger select signal:

- ADHWTSn active selects SC1A.
- ADHWTSn active selects SC1n.

Note

Asserting more than one hardware trigger select signal (ADHWTSn) at the same time results in unknown results. To avoid this, select only one hardware trigger select signal (ADHWTSn) prior to the next intended conversion.

When the conversion is completed, the result is placed in the Rn registers associated with the ADHWTSn received. For example:

- ADHWTS_A active selects RA register
- ADHWTS_n active selects R_n register

The conversion complete flag associated with the ADHWTSn received, that is, SC1n[COCO], is then set and an interrupt is generated if the respective conversion complete interrupt has been enabled, that is, SC1[AIEN]=1.

23.5.4 Conversion control

Conversions can be performed as determined by CFG1[MODE] and SC1n[DIFF] as shown in the description of CFG1[MODE].

Conversions can be initiated by a software or hardware trigger.

In addition, the ADC module can be configured for:

- Low-power operation
- Long sample time
- Continuous conversion
- Hardware average
- Automatic compare of the conversion result to a software determined compare value

23.5.4.1 Initiating conversions

A conversion is initiated:

- Following a write to SC1A, with SC1n[ADCH] not all 1's, if software triggered operation is selected, that is, when SC2[ADTRG]=0.
- Following a hardware trigger, or ADHWT event, if hardware triggered operation is selected, that is, SC2[ADTRG]=1, and a hardware trigger select event, ADHWTS_n, has occurred. The channel and status fields selected depend on the active trigger select signal:
 - ADHWTS_A active selects SC1A.

- ADHWTSn active selects SC1n.
- if neither is active, the off condition is selected

Note

Selecting more than one ADHWTSn prior to a conversion completion will result in unknown results. To avoid this, select only one ADHWTSn prior to a conversion completion.

- Following the transfer of the result to the data registers when continuous conversion is enabled, that is, when $SC3[ADCO] = 1$.

If continuous conversions are enabled, a new conversion is automatically initiated after the completion of the current conversion. In software triggered operation, that is, when $SC2[ADTRG] = 0$, continuous conversions begin after SC1A is written and continue until aborted. In hardware triggered operation, that is, when $SC2[ADTRG] = 1$ and one ADHWTSn event has occurred, continuous conversions begin after a hardware trigger event and continue until aborted.

If hardware averaging is enabled, a new conversion is automatically initiated after the completion of the current conversion until the correct number of conversions are completed. In software triggered operation, conversions begin after SC1A is written. In hardware triggered operation, conversions begin after a hardware trigger. If continuous conversions are also enabled, a new set of conversions to be averaged are initiated following the last of the selected number of conversions.

23.5.4.2 Completing conversions

A conversion is completed when the result of the conversion is transferred into the data result registers, Rn. If the compare functions are disabled, this is indicated by setting of $SC1n[COCO]$. If hardware averaging is enabled, the respective $SC1n[COCO]$ sets only if the last of the selected number of conversions is completed. If the compare function is enabled, the respective $SC1n[COCO]$ sets and conversion result data is transferred only if the compare condition is true. If both hardware averaging and compare functions are enabled, then the respective $SC1n[COCO]$ sets only if the last of the selected number of conversions is completed and the compare condition is true. An interrupt is generated if the respective $SC1n[AIEN]$ is high at the time that the respective $SC1n[COCO]$ is set.

23.5.4.3 Aborting conversions

Any conversion in progress is aborted when:

- Writing to SC1A while it is actively controlling a conversion, aborts the current conversion. In Software Trigger mode, when SC2[ADTRG]=0, a write to SC1A initiates a new conversion if SC1A[ADCH] is equal to a value other than all 1s. Writing to any of the SC1B–SC1n registers while that specific SC1B–SC1n register is actively controlling a conversion aborts the current conversion. The SC1(B-n) registers are not used for software trigger operation and therefore writes to the SC1(B-n) registers do not initiate a new conversion.
- A write to any ADC register besides the SC1A-SC1n registers occurs. This indicates that a change in mode of operation has occurred and the current conversion is therefore invalid.
- The MCU is reset or enters Low-Power Stop modes.
- The MCU enters Normal Stop mode with ADACK or Alternate Clock Sources not enabled.

When a conversion is aborted, the contents of the data registers, Rn, are not altered. The data registers continue to be the values transferred after the completion of the last successful conversion. If the conversion was aborted by a reset or Low-Power Stop modes, RA and Rn return to their reset states.

23.5.4.4 Power control

The ADC module remains in its idle state until a conversion is initiated. If ADACK is selected as the conversion clock source, but the asynchronous clock output is disabled, that is CFG2[ADACKEN]=0, the ADACK clock generator also remains in its idle state (disabled) until a conversion is initiated. If the asynchronous clock output is enabled, that is, CFG2[ADACKEN]=1, it remains active regardless of the state of the ADC or the MCU power mode.

Power consumption when the ADC is active can be reduced by setting CFG1[ADLPC]. This results in a lower maximum value for f_{ADCK} .

23.5.4.5 Sample time and total conversion time

For short sample, that is, when CFG1[ADLSMP]=0, there is a 2-cycle adder for first conversion over the base sample time of four ADCK cycles. For high-speed conversions, that is, when CFG2[ADHSC]=1, there is an additional 2-cycle adder on any conversion. The table below summarizes sample times for the possible ADC configurations.

ADC configuration			Sample time (ADCK cycles)	
CFG1[ADLSMP]	CFG2[ADLSTS]	CFG2[ADHSC]	First or Single	Subsequent
0	X	0	6	4
1	00	0	24	
1	01	0	16	
1	10	0	10	
1	11	0	6	
0	X	1	8	6
1	00	1	26	
1	01	1	18	
1	10	1	12	
1	11	1	8	

The total conversion time depends upon:

- The sample time as determined by CFG1[ADLSMP] and CFG2[ADLSTS]
- The MCU bus frequency
- The conversion mode, as determined by CFG1[MODE] and SC1n[DIFF]
- The high-speed configuration, that is, CFG2[ADHSC]
- The frequency of the conversion clock, that is, f_{ADCK} .

CFG2[ADHSC] is used to configure a higher clock input frequency. This will allow faster overall conversion times. To meet internal ADC timing requirements, CFG2[ADHSC] adds additional ADCK cycles. Conversions with CFG2[ADHSC]=1 take two more ADCK cycles. CFG2[ADHSC] must be used when the ADCLK exceeds the limit for CFG2[ADHSC]=0.

After the module becomes active, sampling of the input begins.

1. CFG1[ADLSMP] and CFG2[ADLSTS] select between sample times based on the conversion mode that is selected.
2. When sampling is completed, the converter is isolated from the input channel and a successive approximation algorithm is applied to determine the digital value of the analog signal.
3. The result of the conversion is transferred to Rn upon completion of the conversion algorithm.

Functional description

If the bus frequency is less than f_{ADCK} , precise sample time for continuous conversions cannot be guaranteed when short sample is enabled, that is, when $CFG1[ADLSMP]=0$.

The maximum total conversion time is determined by the clock source chosen and the divide ratio selected. The clock source is selectable by $CFG1[ADICLK]$, and the divide ratio is specified by $CFG1[ADIV]$.

The maximum total conversion time for all configurations is summarized in the equation below. See the following tables for the variables referenced in the equation.

$$\text{ConversionTime} = \text{SFCAdder} + \text{AverageNum} \times (\text{BCT} + \text{LSTAdder} + \text{HSCAdder})$$

Equation 1. Conversion time equation

Table 23-5. Single or first continuous time adder (SFCAdder)

CFG1[ADLSMP]	CFG2[ADACKEN]	CFG1[ADICLK]	Single or first continuous time adder (SFCAdder)
1	x	0x, 10	3 ADCK cycles + 5 bus clock cycles
1	1	11	3 ADCK cycles + 5 bus clock cycles ¹
1	0	11	5 μ s + 3 ADCK cycles + 5 bus clock cycles
0	x	0x, 10	5 ADCK cycles + 5 bus clock cycles
0	1	11	5 ADCK cycles + 5 bus clock cycles ¹
0	0	11	5 μ s + 5 ADCK cycles + 5 bus clock cycles

1. To achieve this time, $CFG2[ADACKEN]$ must be 1 for at least 5 μ s prior to the conversion is initiated.

Table 23-6. Average number factor (AverageNum)

SC3[AVGE]	SC3[AVGS]	Average number factor (AverageNum)
0	xx	1
1	00	4
1	01	8
1	10	16
1	11	32

Table 23-7. Base conversion time (BCT)

Mode	Base conversion time (BCT)
8b single-ended	17 ADCK cycles
9b differential	27 ADCK cycles
10b single-ended	20 ADCK cycles
11b differential	30 ADCK cycles
12b single-ended	20 ADCK cycles
13b differential	30 ADCK cycles

Table continues on the next page...

Table 23-7. Base conversion time (BCT) (continued)

Mode	Base conversion time (BCT)
16b single-ended	25 ADCK cycles
16b differential	34 ADCK cycles

Table 23-8. Long sample time adder (LSTAdder)

CFG1[ADLSMP]	CFG2[ADLSTS]	Long sample time adder (LSTAdder)
0	xx	0 ADCK cycles
1	00	20 ADCK cycles
1	01	12 ADCK cycles
1	10	6 ADCK cycles
1	11	2 ADCK cycles

Table 23-9. High-speed conversion time adder (HSCAdder)

CFG2[ADHSC]	High-speed conversion time adder (HSCAdder)
0	0 ADCK cycles
1	2 ADCK cycles

Note

The ADCK frequency must be between f_{ADCK} minimum and f_{ADCK} maximum to meet ADC specifications.

23.5.4.6 Conversion time examples

The following examples use the [Equation 1 on page 384](#), and the information provided in [Table 23-5](#) through [Table 23-9](#).

23.5.4.6.1 Typical conversion time configuration

A typical configuration for ADC conversion is:

- 10-bit mode, with the bus clock selected as the input clock source
- The input clock divide-by-1 ratio selected
- Bus frequency of 8 MHz
- Long sample time disabled
- High-speed conversion disabled

The conversion time for a single conversion is calculated by using the [Equation 1 on page 384](#), and the information provided in [Table 23-5](#) through [Table 23-9](#). The table below lists the variables of [Equation 1 on page 384](#).

Table 23-10. Typical conversion time

Variable	Time
SFCAdder	5 ADCK cycles + 5 bus clock cycles
AverageNum	1
BCT	20 ADCK cycles
LSTAdder	0
HSCAdder	0

The resulting conversion time is generated using the parameters listed in the preceding table. Therefore, for a bus clock and an ADCK frequency equal to 8 MHz, the resulting conversion time is 3.75 μ s.

23.5.4.6.2 Long conversion time configuration

A configuration for long ADC conversion is:

- 16-bit differential mode with the bus clock selected as the input clock source
- The input clock divide-by-8 ratio selected
- Bus frequency of 8 MHz
- Long sample time enabled
- Configured for longest adder
- High-speed conversion disabled
- Average enabled for 32 conversions

The conversion time for this conversion is calculated by using the [Equation 1 on page 384](#), and the information provided in [Table 23-5](#) through [Table 23-9](#). The following table lists the variables of the [Equation 1 on page 384](#).

Table 23-11. Typical conversion time

Variable	Time
SFCAdder	3 ADCK cycles + 5 bus clock cycles
AverageNum	32
BCT	34 ADCK cycles
LSTAdder	20 ADCK cycles
HSCAdder	0

The resulting conversion time is generated using the parameters listed in the preceding table. Therefore, for bus clock equal to 8 MHz and ADCK equal to 1 MHz, the resulting conversion time is 57.625 μ s, that is, AverageNum. This results in a total conversion time of 1.844 ms.

23.5.4.6.3 Short conversion time configuration

A configuration for short ADC conversion is:

- 8-bit Single-Ended mode with the bus clock selected as the input clock source
- The input clock divide-by-1 ratio selected
- Bus frequency of 20 MHz
- Long sample time disabled
- High-speed conversion enabled

The conversion time for this conversion is calculated by using the [Equation 1 on page 384](#), and the information provided in [Table 23-5](#) through [Table 23-9](#). The table below lists the variables of [Equation 1 on page 384](#).

Table 23-12. Typical conversion time

Variable	Time
SFCAdder	5 ADCK cycles + 5 bus clock cycles
AverageNum	1
BCT	17 ADCK cycles
LSTAdder	0 ADCK cycles
HSCAdder	2

The resulting conversion time is generated using the parameters listed in the preceding table. Therefore, for bus clock and ADCK frequency equal to 20 MHz, the resulting conversion time is 1.45 μ s.

23.5.4.7 Hardware average function

The hardware average function can be enabled by setting SC3[AVGE]=1 to perform a hardware average of multiple conversions. The number of conversions is determined by the AVGS[1:0] bits, which can select 4, 8, 16, or 32 conversions to be averaged. While the hardware average function is in progress, SC2[ADACT] will be set.

After the selected input is sampled and converted, the result is placed in an accumulator from which an average is calculated once the selected number of conversions have been completed. When hardware averaging is selected, the completion of a single conversion will not set SC1n[COCO].

If the compare function is either disabled or evaluates true, after the selected number of conversions are completed, the average conversion result is transferred into the data result registers, Rn, and SC1n[COCO] is set. An ADC interrupt is generated upon the setting of SC1n[COCO] if the respective ADC interrupt is enabled, that is, SC1n[AIEN]=1.

Note

The hardware average function can perform conversions on a channel while the MCU is in Wait or Normal Stop modes. The ADC interrupt wakes the MCU when the hardware average is completed if SC1n[AIEN] is set.

23.5.5 Automatic compare function

The compare function can be configured to check whether the result is less than or greater-than-or-equal-to a single compare value, or, if the result falls within or outside a range determined by two compare values.

The compare mode is determined by SC2[ACFGT], SC2[ACREN], and the values in the compare value registers, CV1 and CV2. After the input is sampled and converted, the compare values in CV1 and CV2 are used as described in the following table. There are six Compare modes as shown in the following table.

Table 23-13. Compare modes

SC2[ACFGT]	SC2[ACREN]	ADCCV1 relative to ADCCV2	Function	Compare mode description
0	0	—	Less than threshold	Compare true if the result is less than the CV1 registers.
1	0	—	Greater than or equal to threshold	Compare true if the result is greater than or equal to CV1 registers.
0	1	Less than or equal	Outside range, not inclusive	Compare true if the result is less than CV1 Or the result is greater than CV2.
0	1	Greater than	Inside range, not inclusive	Compare true if the result is less than CV1 And the result is greater than CV2.
1	1	Less than or equal	Inside range, inclusive	Compare true if the result is greater than or equal to CV1 And the result is less than or equal to CV2.
1	1	Greater than	Outside range, inclusive	Compare true if the result is greater than or equal to CV1 Or the result is less than or equal to CV2.

With SC2[ACREN] =1, and if the value of CV1 is less than or equal to the value of CV2, then setting SC2[ACFGT] will select a trigger-if-inside-compare-range inclusive-of-endpoints function. Clearing SC2[ACFGT] will select a trigger-if-outside-compare-range, not-inclusive-of-endpoints function.

If CV1 is greater than CV2, setting SC2[ACFGT] will select a trigger-if-outside-compare-range, inclusive-of-endpoints function. Clearing SC2[ACFGT] will select a trigger-if-inside-compare-range, not-inclusive-of-endpoints function.

If the condition selected evaluates true, SC1n[COCO] is set.

Upon completion of a conversion while the compare function is enabled, if the compare condition is not true, SC1n[COCO] is not set and the conversion result data will not be transferred to the result register, Rn. If the hardware averaging function is enabled, the compare function compares the averaged result to the compare values. The same compare function definitions apply. An ADC interrupt is generated when SC1n[COCO] is set and the respective ADC interrupt is enabled, that is, SC1n[AIEN]=1.

Note

The compare function can monitor the voltage on a channel while the MCU is in Wait or Normal Stop modes. The ADC interrupt wakes the MCU when the compare condition is met.

23.5.6 Calibration function

The ADC contains a self-calibration function that is required to achieve the specified accuracy.

Calibration must be run, or valid calibration values written, after any reset and before a conversion is initiated. The calibration function sets the offset calibration value, the minus-side calibration values, and the plus-side calibration values. The offset calibration value is automatically stored in the ADC offset correction register (OFS), and the plus-side and minus-side calibration values are automatically stored in the ADC plus-side and minus-side calibration registers, CLPx and CLMx. The user must configure the ADC correctly prior to calibration, and must generate the plus-side and minus-side gain calibration results and store them in the ADC plus-side gain register (PG) after the calibration function completes.

Prior to calibration, the user must configure the ADC's clock source and frequency, low power configuration, voltage reference selection, sample time, and high speed configuration according to the application's clock source availability and needs. If the

application uses the ADC in a wide variety of configurations, the configuration for which the highest accuracy is required should be selected, or multiple calibrations can be done for the different configurations. For best calibration results:

- Set hardware averaging to maximum, that is, SC3[AVGE]=1 and SC3[AVGS]=11 for an average of 32
- Set ADC clock frequency f_{ADCK} less than or equal to 4 MHz
- $V_{REFH}=V_{DDA}$
- Calibrate at nominal voltage and temperature

The input channel, conversion mode continuous function, compare function, resolution mode, and differential/single-ended mode are all ignored during the calibration function.

To initiate calibration, the user sets SC3[CAL] and the calibration will automatically begin if the SC2[ADTRG] is 0. If SC2[ADTRG] is 1, SC3[CAL] will not get set and SC3[CALF] will be set. While calibration is active, no ADC register can be written and no stop mode may be entered, or the calibration routine will be aborted causing SC3[CAL] to clear and SC3[CALF] to set. At the end of a calibration sequence, SC1n[COCO] will be set. SC1n[AIEN] can be used to allow an interrupt to occur at the end of a calibration sequence. At the end of the calibration routine, if SC3[CALF] is not set, the automatic calibration routine is completed successfully.

To complete calibration, the user must generate the gain calibration values using the following procedure:

1. Initialize or clear a 16-bit variable in RAM.
2. Add the plus-side calibration results CLP0, CLP1, CLP2, CLP3, CLP4, and CLPS to the variable.
3. Divide the variable by two.
4. Set the MSB of the variable.
5. The previous two steps can be achieved by setting the carry bit, rotating to the right through the carry bit on the high byte and again on the low byte.
6. Store the value in the plus-side gain calibration register PG.
7. Repeat the procedure for the minus-side gain calibration value.

When calibration is complete, the user may reconfigure and use the ADC as desired. A second calibration may also be performed, if desired, by clearing and again setting SC3[CAL].

Overall, the calibration routine may take as many as 14k ADCK cycles and 100 bus cycles, depending on the results and the clock source chosen. For an 8 MHz clock source, this length amounts to about 1.7 ms. To reduce this latency, the calibration values, which are offset, plus-side and minus-side gain, and plus-side and minus-side calibration values, may be stored in flash memory after an initial calibration and recovered prior to the first ADC conversion. This method can reduce the calibration latency to 20 register store operations on all subsequent power, reset, or Low-Power Stop mode recoveries.

Further information on the calibration procedure can be found in the Calibration section of [AN3949: ADC16 Calibration Procedure and Programmable Delay Block Synchronization](#).

23.5.7 User-defined offset function

OFS contains the user-selected or calibration-generated offset error correction value.

This register is a 2's complement, left-justified. The value in OFS is subtracted from the conversion and the result is transferred into the result registers, Rn. If the result is greater than the maximum or less than the minimum result value, it is forced to the appropriate limit for the current mode of operation.

The formatting of the OFS is different from the data result register, Rn, to preserve the resolution of the calibration value regardless of the conversion mode selected. Lower order bits are ignored in lower resolution modes. For example, in 8-bit single-ended mode, OFS[14:7] are subtracted from D[7:0]; OFS[15] indicates the sign (negative numbers are effectively added to the result) and OFS[6:0] are ignored. The same bits are used in 9-bit differential mode because OFS[15] indicates the sign bit, which maps to D[8]. For 16-bit differential mode, OFS[15:0] are directly subtracted from the conversion result data D[15:0]. In 16-bit single-ended mode, there is no field in the OFS corresponding to the least significant result D[0], so odd values, such as -1 or +1, cannot be subtracted from the result.

OFS is automatically set according to calibration requirements once the self-calibration sequence is done, that is, SC3[CAL] is cleared. The user may write to OFS to override the calibration result if desired. If the OFS is written by the user to a value that is different from the calibration value, the ADC error specifications may not be met. Storing the value generated by the calibration function in memory before overwriting with a user-specified value is recommended.

Note

There is an effective limit to the values of offset that can be set by the user. If the magnitude of the offset is too high, the results of the conversions will cap off at the limits.

The offset calibration function may be employed by the user to remove application offsets or DC bias values. OFS may be written with a number in 2's complement format and this offset will be subtracted from the result, or hardware averaged value. To add an offset, store the negative offset in 2's complement format and the effect will be an addition. An offset correction that results in an out-of-range value will be forced to the minimum or maximum value. The minimum value for single-ended conversions is 0x0000; for a differential conversion it is 0x8000.

To preserve accuracy, the calibrated offset value initially stored in OFS must be added to the user-defined offset. For applications that may change the offset repeatedly during operation, store the initial offset calibration value in flash so it can be recovered and added to any user offset adjustment value and the sum stored in OFS.

23.5.8 Temperature sensor

The ADC module includes a temperature sensor whose output is connected to one of the ADC analog channel inputs.

The following equation provides an approximate transfer function of the temperature sensor.

$$\text{Temp} = 25 - \left(\left(V_{\text{TEMP}} - V_{\text{TEMP}25} \right) \div m \right)$$

Equation 2. Approximate transfer function of the temperature sensor

where:

- V_{TEMP} is the voltage of the temperature sensor channel at the ambient temperature.
- $V_{\text{TEMP}25}$ is the voltage of the temperature sensor channel at 25 °C.
- m is referred as temperature sensor slope in the device data sheet. It is the hot or cold voltage versus temperature slope in V/°C.

For temperature calculations, use the $V_{\text{TEMP}25}$ and temperature sensor slope values from the ADC Electricals table.

In application code, the user reads the temperature sensor channel, calculates V_{TEMP} , and compares to V_{TEMP25} . If V_{TEMP} is greater than V_{TEMP25} the cold slope value is applied in the preceding equation. If V_{TEMP} is less than V_{TEMP25} , the hot slope value is applied in the preceding equation. ADC Electricals table may only specify one temperature sensor slope value. In that case, the user could use the same slope for the calculation across the operational temperature range.

For more information on using the temperature sensor, see the application note titled *Temperature Sensor for the HCS08 Microcontroller Family* (document AN3031).

23.5.9 MCU wait mode operation

Wait mode is a lower-power consumption Standby mode from which recovery is fast because the clock sources remain active.

If a conversion is in progress when the MCU enters Wait mode, it continues until completion. Conversions can be initiated while the MCU is in Wait mode by means of the hardware trigger or if continuous conversions are enabled.

The bus clock, bus clock divided by two; and ADACK are available as conversion clock sources while in Wait mode. The use of ALTCLK as the conversion clock source in Wait is dependent on the definition of ALTCLK for this MCU. See the Chip Configuration information on ALTCLK specific to this MCU.

If the compare and hardware averaging functions are disabled, a conversion complete event sets $SC1n[COCO]$ and generates an ADC interrupt to wake the MCU from Wait mode if the respective ADC interrupt is enabled, that is, when $SC1n[AIEN]=1$. If the hardware averaging function is enabled, $SC1n[COCO]$ will set, and generate an interrupt if enabled, when the selected number of conversions are completed. If the compare function is enabled, $SC1n[COCO]$ will set, and generate an interrupt if enabled, only if the compare conditions are met. If a single conversion is selected and the compare trigger is not met, the ADC will return to its idle state and cannot wake the MCU from Wait mode unless a new conversion is initiated by the hardware trigger.

23.5.10 MCU Normal Stop mode operation

Stop mode is a low-power consumption Standby mode during which most or all clock sources on the MCU are disabled.

23.5.10.1 Normal Stop mode with ADACK disabled

If the asynchronous clock, ADACK, is not selected as the conversion clock, executing a stop instruction aborts the current conversion and places the ADC in its Idle state. The contents of the ADC registers, including Rn, are unaffected by Normal Stop mode. After exiting from Normal Stop mode, a software or hardware trigger is required to resume conversions.

23.5.10.2 Normal Stop mode with ADACK enabled

If ADACK is selected as the conversion clock, the ADC continues operation during Normal Stop mode. See the chip-specific ADC information for configuration information for this device.

If a conversion is in progress when the MCU enters Normal Stop mode, it continues until completion. Conversions can be initiated while the MCU is in Normal Stop mode by means of the hardware trigger or if continuous conversions are enabled.

If the compare and hardware averaging functions are disabled, a conversion complete event sets SC1n[COCO] and generates an ADC interrupt to wake the MCU from Normal Stop mode if the respective ADC interrupt is enabled, that is, when SC1n[AIEN]=1. The result register, Rn, will contain the data from the first completed conversion that occurred during Normal Stop mode. If the hardware averaging function is enabled, SC1n[COCO] will set, and generate an interrupt if enabled, when the selected number of conversions are completed. If the compare function is enabled, SC1n[COCO] will set, and generate an interrupt if enabled, only if the compare conditions are met. If a single conversion is selected and the compare is not true, the ADC will return to its idle state and cannot wake the MCU from Normal Stop mode unless a new conversion is initiated by another hardware trigger.

23.5.11 MCU Low-Power Stop mode operation

The ADC module is automatically disabled when the MCU enters Low-Power Stop mode.

All module registers contain their reset values following exit from Low-Power Stop mode. Therefore, the module must be re-enabled and re-configured following exit from Low-Power Stop mode.

NOTE

For the chip specific modes of operation, see the power management information for the device.

23.6 Initialization information

This section gives an example that provides some basic direction on how to initialize and configure the ADC module.

The user can configure the module for 16-bit, 12-bit, 10-bit, or 8-bit single-ended resolution or 16-bit, 13-bit, 11-bit, or 9-bit differential resolution, single or continuous conversion, and a polled or interrupt approach, among many other options. For information used in this example, refer to [Table 23-8](#), [Table 23-9](#), and [Table 23-10](#).

Note

Hexadecimal values are designated by a preceding 0x, binary values designated by a preceding %, and decimal values have no preceding character.

23.6.1 ADC module initialization example

23.6.1.1 Initialization sequence

Before the ADC module can be used to complete conversions, an initialization procedure must be performed. A typical sequence is:

1. Calibrate the ADC by following the calibration instructions in [Calibration function](#).
2. Update CFG to select the input clock source and the divide ratio used to generate ADCK. This register is also used for selecting sample time and low-power configuration.
3. Update SC2 to select the conversion trigger, hardware or software, and compare function options, if enabled.
4. Update SC3 to select whether conversions will be continuous or completed only once (ADCO) and whether to perform hardware averaging.
5. Update SC1:SC1n registers to select whether conversions will be single-ended or differential and to enable or disable conversion complete interrupts. Also, select the input channel which can be used to perform conversions.

23.6.1.2 Pseudo-code example

In this example, the ADC module is set up with interrupts enabled to perform a single 10-bit conversion at low-power with a long sample time on input channel 1, where ADCK is derived from the bus clock divided by 1.

CFG1 = 0x98 (%10011000)

Bit 7	ADLPC	1	Configures for low power, lowers maximum clock speed.
Bit 6:5	ADIV	00	Sets the ADCK to the input clock ÷ 1.
Bit 4	ADLSMP	1	Configures for long sample time.
Bit 3:2	MODE	10	Selects the single-ended 10-bit conversion, differential 11-bit conversion.
Bit 1:0	ADICLK	00	Selects the bus clock.

SC2 = 0x00 (%00000000)

Bit 7	ADACT	0	Flag indicates if a conversion is in progress.
Bit 6	ADTRG	0	Software trigger selected.
Bit 5	ACFE	0	Compare function disabled.
Bit 4	ACFGT	0	Not used in this example.
Bit 3	ACREN	0	Compare range disabled.
Bit 2	DMAEN	0	DMA request disabled.
Bit 1:0	REFSEL	00	Selects default voltage reference pin pair (External pins V _{REFH} and V _{REFL}).

SC1A = 0x41 (%01000001)

Bit 7	COCO	0	Read-only flag which is set when a conversion completes.
Bit 6	AIEN	1	Conversion complete interrupt enabled.
Bit 5	DIFF	0	Single-ended conversion selected.
Bit 4:0	ADCH	00001	Input channel 1 selected as ADC input channel.

RA = 0xxx

Holds results of conversion.

CV = 0xxx

Holds compare value when compare function enabled.

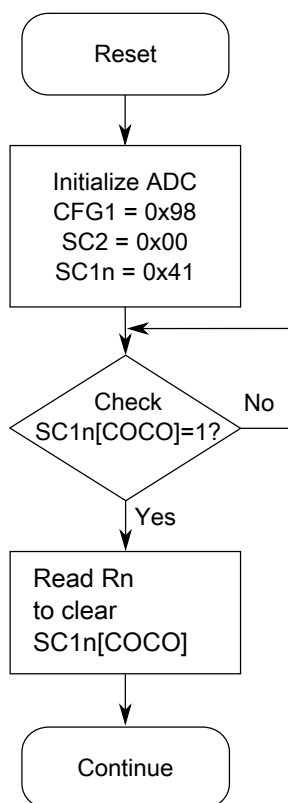


Figure 23-2. Initialization flowchart example

23.7 Application information

The ADC has been designed to be integrated into a microcontroller for use in embedded control applications requiring an ADC.

For guidance on selecting optimum external component values and converter parameters see [AN4373: Cookbook for SAR ADC Measurements](#).

23.7.1 External pins and routing

23.7.1.1 Analog supply pins

Depending on the device, the analog power and ground supplies, V_{DDA} and V_{SSA} , of the ADC module are available as:

- V_{DDA} and V_{SSA} available as separate pins—When available on a separate pin, both V_{DDA} and V_{SSA} must be connected to the same voltage potential as their corresponding MCU digital supply, V_{DD} and V_{SS} , and must be routed carefully for maximum noise immunity and bypass capacitors placed as near as possible to the package.
- V_{SSA} is shared on the same pin as the MCU digital V_{SS} .
- V_{SSA} and V_{DDA} are shared with the MCU digital supply pins—In these cases, there are separate pads for the analog supplies bonded to the same pin as the corresponding digital supply so that some degree of isolation between the supplies is maintained.

If separate power supplies are used for analog and digital power, the ground connection between these supplies must be at the V_{SSA} pin. This must be the only ground connection between these supplies, if possible. V_{SSA} makes a good single point ground location.

23.7.1.2 Analog voltage reference pins

In addition to the analog supplies, the ADC module has connections for two reference voltage inputs used by the converter:

- V_{REFSH} is the high reference voltage for the converter.
- V_{REFSL} is the low reference voltage for the converter.

The ADC can be configured to accept one of two voltage reference pairs for V_{REFSH} and V_{REFSL} . Each pair contains a positive reference and a ground reference. The two pairs are external, V_{REFH} and V_{REFL} and alternate, V_{ALTH} and V_{ALTL} . These voltage references are selected using $SC2[REFSEL]$. The alternate voltage reference pair, V_{ALTH} and V_{ALTL} , may select additional external pins or internal sources based on MCU configuration. See the chip configuration information on the voltage references specific to this MCU.

In some packages, the external or alternate pairs are connected in the package to V_{DDA} and V_{SSA} , respectively. One of these positive references may be shared on the same pin as V_{DDA} on some devices. One of these ground references may be shared on the same pin as V_{SSA} on some devices.

If externally available, the positive reference may be connected to the same potential as V_{DDA} or may be driven by an external source to a level between the minimum Ref Voltage High and the V_{DDA} potential. The positive reference must never exceed V_{DDA} . If externally available, the ground reference must be connected to the same voltage potential as V_{SSA} . The voltage reference pairs must be routed carefully for maximum noise immunity and bypass capacitors placed as near as possible to the package.

AC current in the form of current spikes required to supply charge to the capacitor array at each successive approximation step is drawn through the V_{REFH} and V_{REFL} loop. The best external component to meet this current demand is a 0.1 μF capacitor with good

high-frequency characteristics. This capacitor is connected between V_{REFH} and V_{REFL} and must be placed as near as possible to the package pins. Resistance in the path is not recommended because the current causes a voltage drop that could result in conversion errors. Inductance in this path must be minimum, that is, parasitic only.

23.7.1.3 Analog input pins

The external analog inputs are typically shared with digital I/O pins on MCU devices.

Empirical data shows that capacitors on the analog inputs improve performance in the presence of noise or when the source impedance is high. Use of 0.01 μF capacitors with good high-frequency characteristics is sufficient. These capacitors are not necessary in all cases, but when used, they must be placed as near as possible to the package pins and be referenced to V_{SSA} .

For proper conversion, the input voltage must fall between V_{REFH} and V_{REFL} . If the input is equal to or exceeds V_{REFH} , the converter circuit converts the signal to 0xFFF, which is full scale 12-bit representation, 0x3FF, which is full scale 10-bit representation, or 0xFF, which is full scale 8-bit representation. If the input is equal to or less than V_{REFL} , the converter circuit converts it to 0x000. Input voltages between V_{REFH} and V_{REFL} are straight-line linear conversions. There is a brief current associated with V_{REFL} when the sampling capacitor is charging.

For minimal loss of accuracy due to current injection, pins adjacent to the analog input pins must not be transitioning during conversions.

23.7.2 Sources of error

23.7.2.1 Sampling error

For proper conversions, the input must be sampled long enough to achieve the proper accuracy.

$$RAS + RADIN = SC / (FMAX * NUMTAU * CADIN)$$

Figure 23-3. Sampling equation

Where:

RAS = External analog source resistance

SC = Number of ADCK cycles used during sample window

CADIN = Internal ADC input capacitance

NUMTAU = $-\ln(\text{LSBERR} / 2^N)$

LSBERR = value of acceptable sampling error in LSBs

N = 8 in 8-bit mode, 10 in 10-bit mode, 12 in 12-bit mode or 16 in 16-bit mode

Higher source resistances or higher-accuracy sampling is possible by setting CFG1[ADLSMP] and changing CFG2[ADLSTS] to increase the sample window, or decreasing ADCK frequency to increase sample time.

23.7.2.2 Pin leakage error

Leakage on the I/O pins can cause conversion error if the external analog source resistance, R_{AS} , is high. If this error cannot be tolerated by the application, keep R_{AS} lower than $V_{REFH} / (4 \times I_{LEAK} \times 2^N)$ for less than 1/4 LSB leakage error, where N = 8 in 8-bit mode, 10 in 10-bit mode, 12 in 12-bit mode, or 16 in 16-bit mode.

23.7.2.3 Noise-induced errors

System noise that occurs during the sample or conversion process can affect the accuracy of the conversion. The ADC accuracy numbers are guaranteed as specified only if the following conditions are met:

- There is a 0.1 μF low-ESR capacitor from V_{REFH} to V_{REFL} .
- There is a 0.1 μF low-ESR capacitor from V_{DDA} to V_{SSA} .
- If inductive isolation is used from the primary supply, an additional 1 μF capacitor is placed from V_{DDA} to V_{SSA} .
- V_{SSA} , and V_{REFL} , if connected, is connected to V_{SS} at a quiet point in the ground plane.
- Operate the MCU in Wait or Normal Stop mode before initiating (hardware-triggered conversions) or immediately after initiating (hardware- or software-triggered conversions) the ADC conversion.

- For software triggered conversions, immediately follow the write to SC1 with a Wait instruction or Stop instruction.
- For Normal Stop mode operation, select ADACK as the clock source. Operation in Normal Stop reduces V_{DD} noise but increases effective conversion time due to stop recovery.
- There is no I/O switching, input or output, on the MCU during the conversion.

There are some situations where external system activity causes radiated or conducted noise emissions or excessive V_{DD} noise is coupled into the ADC. In these situations, or when the MCU cannot be placed in Wait or Normal Stop mode, or I/O activity cannot be halted, the following actions may reduce the effect of noise on the accuracy:

- Place a 0.01 μF capacitor (C_{AS}) on the selected input channel to V_{REFL} or V_{SSA} . This improves noise issues, but affects the sample rate based on the external analog source resistance.
- Average the result by converting the analog input many times in succession and dividing the sum of the results. Four samples are required to eliminate the effect of a 1 LSB, one-time error.
- Reduce the effect of synchronous noise by operating off the asynchronous clock, that is, ADACK, and averaging. Noise that is synchronous to ADCK cannot be averaged out.

23.7.2.4 Code width and quantization error

The ADC quantizes the ideal straight-line transfer function into 65536 steps in the 16-bit mode. Each step ideally has the same height, that is, 1 code, and width. The width is defined as the delta between the transition points to one code and the next. The ideal code width for an N-bit converter, where N can be 16, 12, 10, or 8, defined as 1 LSB, is:

$$1\text{LSB} = (V_{REFH}) / 2^N$$

Equation 3. Ideal code width for an N-bit converter

There is an inherent quantization error due to the digitization of the result. For 8-bit, 10-bit, or 12-bit conversions, the code transitions when the voltage is at the midpoint between the points where the straight line transfer function is exactly represented by the actual transfer function. Therefore, the quantization error will be $\pm 1/2$ LSB in 8-bit, 10-bit, or 12-bit modes. As a consequence, however, the code width of the first (0x000) conversion is only $1/2$ LSB and the code width of the last (0xFF or 0x3FF) is 1.5 LSB.

For 16-bit conversions, the code transitions only after the full code width is present, so the quantization error is -1 LSB to 0 LSB and the code width of each step is 1 LSB.

23.7.2.5 Linearity errors

The ADC may also exhibit non-linearity of several forms. Every effort has been made to reduce these errors, but the system designers must be aware of these errors because they affect overall accuracy:

- Zero-scale error (E_{ZS}), sometimes called offset: This error is defined as the difference between the actual code width of the first conversion and the ideal code width. This is 1/2 LSB in 8-bit, 10-bit, or 12-bit modes and 1 LSB in 16-bit mode. If the first conversion is 0x001, the difference between the actual 0x001 code width and its ideal (1 LSB) is used.
- Full-scale error (E_{FS}): This error is defined as the difference between the actual code width of the last conversion and the ideal code width. This is 1.5 LSB in 8-bit, 10-bit, or 12-bit modes and 1 LSB in 16-bit mode. If the last conversion is 0x3FE, the difference between the actual 0x3FE code width and its ideal (1 LSB) is used.
- Differential non-linearity (DNL): This error is defined as the worst-case difference between the actual code width and the ideal code width for all conversions.
- Integral non-linearity (INL): This error is defined as the highest-value or absolute value that the running sum of DNL achieves. More simply, this is the worst-case difference of the actual transition voltage to a given code and its corresponding ideal transition voltage, for all codes.
- Total unadjusted error (TUE): This error is defined as the difference between the actual transfer function and the ideal straight-line transfer function and includes all forms of error.

23.7.2.6 Code jitter, non-monotonicity, and missing codes

Analog-to-digital converters are susceptible to three special forms of error:

- Code jitter: Code jitter occurs when a given input voltage converts to one of the two values when sampled repeatedly. Ideally, when the input voltage is infinitesimally smaller than the transition voltage, the converter yields the lower code, and vice-versa. However, even small amounts of system noise can cause the converter to be indeterminate, between two codes, for a range of input voltages around the transition voltage.

This error may be reduced by repeatedly sampling the input and averaging the result. Additionally, the techniques discussed in [Noise-induced errors](#) reduces this error.

- **Non-monotonicity:** Non-monotonicity occurs when, except for code jitter, the converter converts to a lower code for a higher input voltage.
- **Missing codes:** Missing codes are those values never converted for any input value.

In 8-bit or 10-bit mode, the ADC is guaranteed to be monotonic and have no missing codes.

Chapter 24

Comparator (CMP)

24.1 Chip-specific CMP information

24.1.1 CMP instantiation information

The device includes two 8-input multiplexers for both the inverting and non-inverting inputs of the comparator. Each CMP input channel connects to both muxes. Two of the channels are connected to internal sources, leaving resources to support up to 6 input pins. See the channel assignment table for a summary of CMP input connections for this device.

The CMP also includes one 6-bit DAC with a 64-tap resistor ladder network, which provides a selectable voltage reference for applications where voltage reference is needed for internal connection to the CMP.

The CMP can be optionally on in all modes except VLLS0.

The CMP has several module-to-module interconnects in order to facilitate ADC triggering, TPM triggering, and interfaces. For complete details on the CMP module interconnects, see the [Module-to-Module section](#).

The CMP does not support window compare function and a 0 must always be written to CMP_CR1[WE]. The sample function has limited functionality since the SAMPLE input to the block is not connected to a valid input. Usage of sample operation is limited to a divided version of the bus clock (CMP_CR1[SE] = 0).

Due to the pin number limitation, the CMP pass through mode is not supported by this device, so the CMPx_MUXCR[PSTM] must be left as 0.

24.1.2 CMP input connections

The following table shows the fixed internal connections to the CMP0.

Table 24-1. CMP input connections

CMP inputs	CMP0
IN0	CMP0_IN0
IN1	CMP0_IN1
IN2	CMP0_IN2
IN3	CMP0_IN3
IN4	12-bit DAC0 reference/ CMP0_IN4
IN5	CMP0_IN5
IN6	Bandgap ¹
IN7	6-bit DAC0 reference

1. This is the PMC bandgap 1V reference voltage. Prior to using as CMP input, ensure that you enable the bandgap buffer by setting PMC_REGSC[BGBE]. See the device data sheet for the bandgap voltage (V_{BG}) specification.

24.1.3 CMP external references

The 6-bit DAC sub-block supports selection of two references. For this device, the references are connected as follows:

- VREF_OUT– V_{in1} input. When using VREF_OUT, any ADC conversion using this same reference at the same time is negatively impacted.
- VDD– V_{in2} input

24.1.4 CMP trigger mode

The CMP and 6-bit DAC sub-block supports trigger mode operation when CMP_CR1[TRIGM] is set. When trigger mode is enabled, the trigger event will initiate a compare sequence that must first enable the CMP and DAC prior to performing a CMP operation and capturing the output. In this device, control for this two-staged sequencing is provided from the LPTMR. The LPTMR triggering output is always enabled when the LPTMR is enabled. The first signal is supplied to enable the CMP and DAC and is asserted at the same time as the TCF flag is set. The delay to the second signal that triggers the CMP to capture the result of the compare operation is dependent on the LPTMR configuration.

- In Time Counter mode with prescaler enabled, the delay is 1/2 Prescaler output period.
- In Time Counter mode with prescaler bypassed, the delay is 1/2 Prescaler clock period.

The delay between the first signal from LPTMR and the second signal from LPTMR must be greater than the analog comparator initialization delay as defined in the device datasheet.

24.2 Introduction

The comparator (CMP) module provides a circuit for comparing two analog input voltages. The comparator circuit is designed to operate across the full range of the supply voltage, known as rail-to-rail operation.

The Analog MUX (ANMUX) provides a circuit for selecting an analog input signal from eight channels. One signal is provided by the 6-bit digital-to-analog converter (DAC). The mux circuit is designed to operate across the full range of the supply voltage.

The 6-bit DAC is 64-tap resistor ladder network which provides a selectable voltage reference for applications where voltage reference is needed. The 64-tap resistor ladder network divides the supply reference V_{in} into 64 voltage levels. A 6-bit digital signal input selects the output voltage level, which varies from V_{in} to $V_{in}/64$. V_{in} can be selected from two voltage sources, V_{in1} and V_{in2} . The 6-bit DAC from a comparator is available as an on-chip internal signal only and is not available externally to a pin.

24.2.1 CMP features

The CMP has the following features:

- Operational over the entire supply range
- Inputs may range from rail to rail
- Programmable hysteresis control
- Selectable interrupt on rising-edge, falling-edge, or both rising or falling edges of the comparator output
- Selectable inversion on comparator output
- Capability to produce a wide range of outputs such as:

- Sampled
- Digitally filtered:
 - Filter can be bypassed
 - Can be clocked via scaled bus clock
- External hysteresis can be used at the same time that the output filter is used for internal functions
- Two software selectable performance levels:
 - Shorter propagation delay at the expense of higher power
 - Low power, with longer propagation delay
- DMA transfer support
 - A comparison event can be selected to trigger a DMA transfer
- Functional in all modes of operation
- The filter functions are not available in the following modes:
 - Stop
 - VLPS
 - LLS
 - VLLSx

24.2.2 6-bit DAC key features

The 6-bit DAC has the following features:

- 6-bit resolution
- Selectable supply reference source
- Power Down mode to conserve power when not in use
- Option to route the output to internal comparator input

24.2.3 ANMUX key features

The ANMUX has the following features:

- Two 8-to-1 channel mux
- Operational over the entire supply range

24.2.4 CMP, DAC and ANMUX diagram

The following figure shows the block diagram for the High-Speed Comparator, DAC, and ANMUX modules.

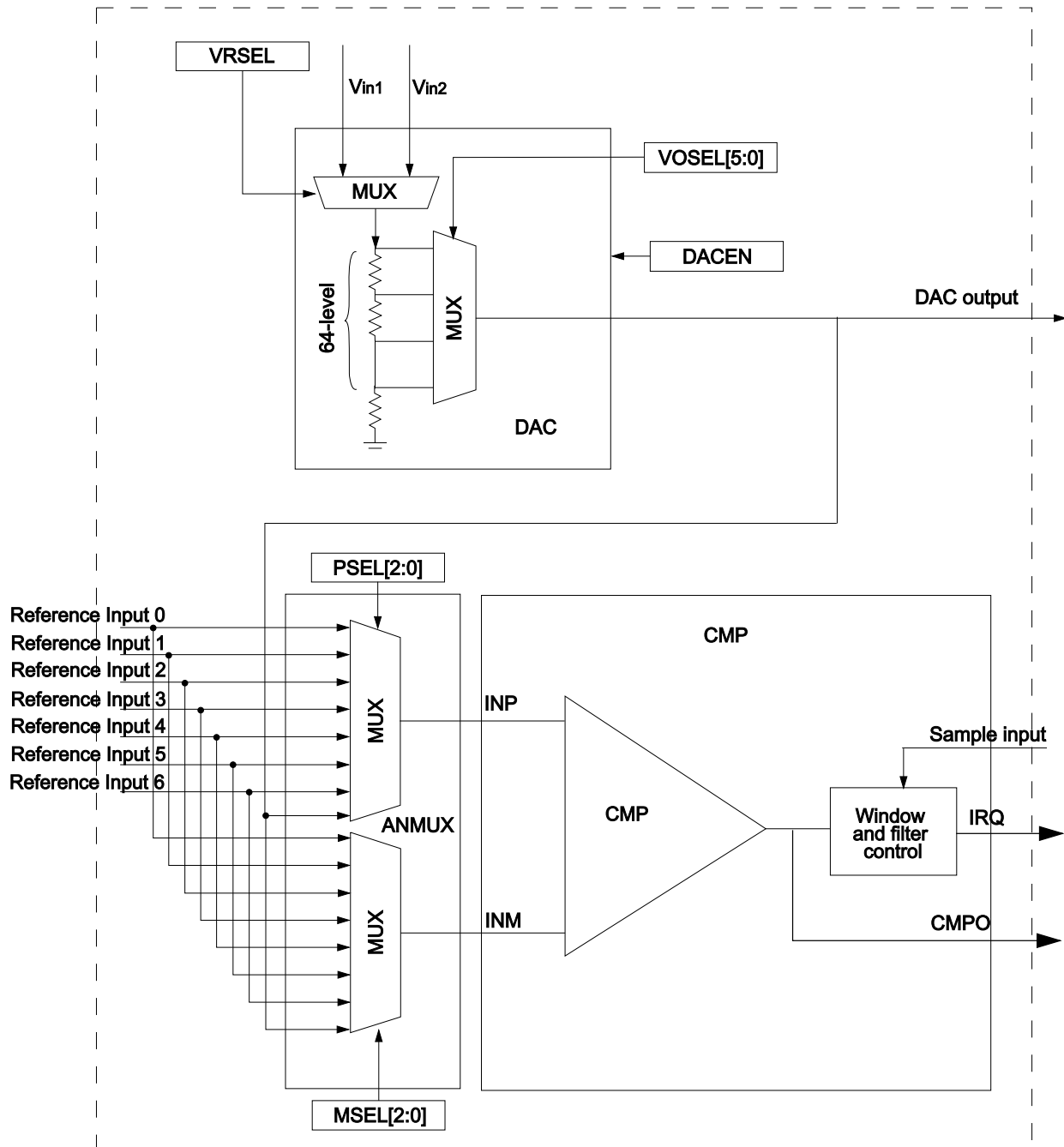


Figure 24-1. CMP, DAC and ANMUX block diagram

24.2.5 CMP block diagram

The following figure shows the block diagram for the CMP module.

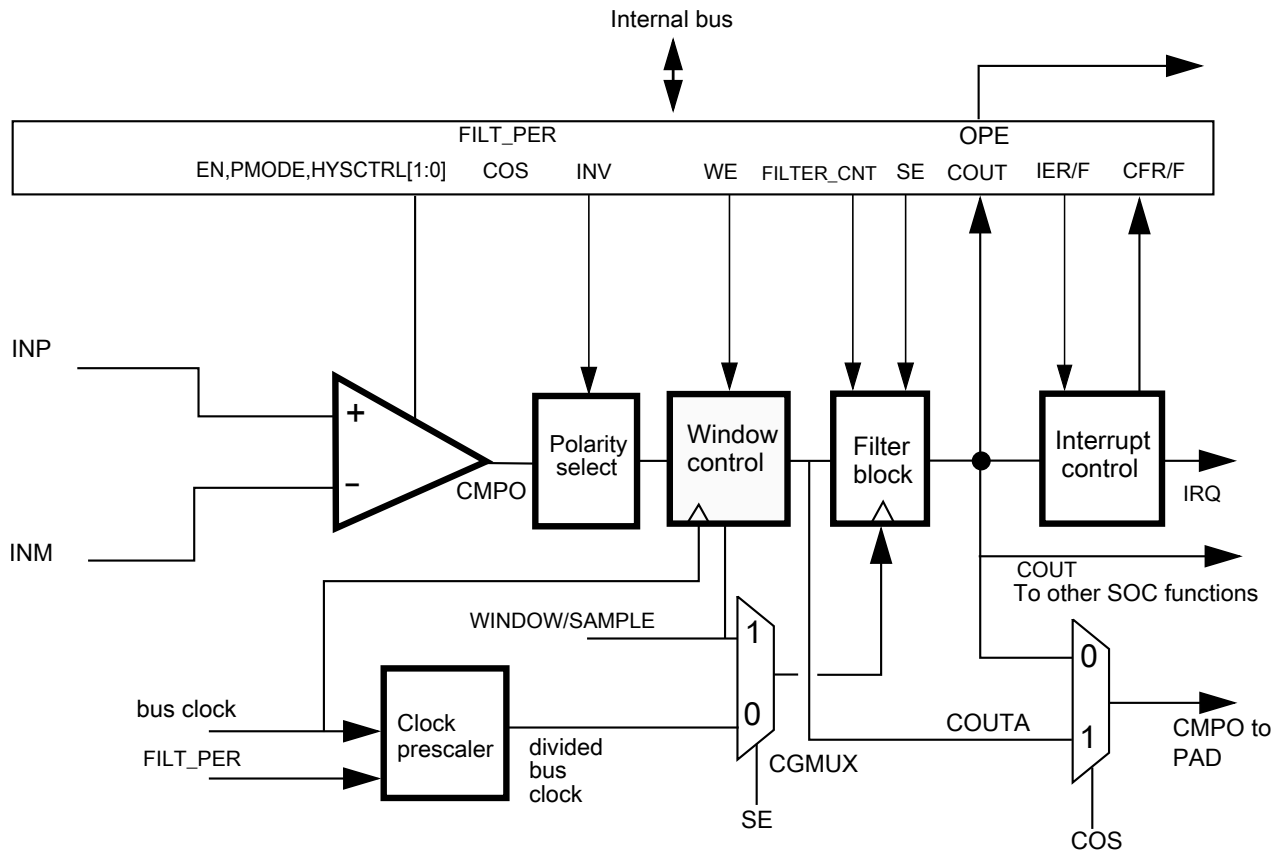


Figure 24-2. Comparator module block diagram

In the CMP block diagram:

- The Window Control block is bypassed when $CR1[WE] = 0$
- The Filter block is bypassed when not in use.
- The Filter block acts as a simple sampler if the filter is bypassed and $CR0[FILTER_CNT]$ is set to $0x01$.
- The Filter block filters based on multiple samples when the filter is bypassed and $CR0[FILTER_CNT]$ is set greater than $0x01$.
 - $CR1[SE] = 0$, the divided bus clock is used as sampling clock
- If enabled, the Filter block will incur up to one bus clock additional latency penalty on COUT due to the fact that COUT, which is crossing clock domain boundaries, must be resynchronized to the bus clock.

24.3 Memory map/register definitions

CMP memory map

Absolute address (hex)	Register name	Width (in bits)	Access	Reset value	Section/page
4007_3000	CMP Control Register 0 (CMP0_CR0)	8	R/W	00h	24.3.1/411
4007_3001	CMP Control Register 1 (CMP0_CR1)	8	R/W	00h	24.3.2/412
4007_3002	CMP Filter Period Register (CMP0_FPR)	8	R/W	00h	24.3.3/413
4007_3003	CMP Status and Control Register (CMP0_SCR)	8	R/W	00h	24.3.4/414
4007_3004	DAC Control Register (CMP0_DACCR)	8	R/W	00h	24.3.5/415
4007_3005	MUX Control Register (CMP0_MUXCR)	8	R/W	00h	24.3.6/415

24.3.1 CMP Control Register 0 (CMPx_CR0)

Address: 4007_3000h base + 0h offset = 4007_3000h

Bit	7	6	5	4	3	2	1	0
Read	0	FILTER_CNT			0	0	HYSTCTR	
Write	█				█			
Reset	0	0	0	0	0	0	0	0

CMPx_CR0 field descriptions

Field	Description
7 Reserved	This field is reserved. This read-only field is reserved and always has the value 0.
6–4 FILTER_CNT	Filter Sample Count Represents the number of consecutive samples that must agree prior to the comparator output filter accepting a new output state. For information regarding filter programming and latency, see the Functional description . 000 Filter is disabled. SE = 0, COUT = COUTA. 001 One sample must agree. The comparator output is simply sampled. 010 2 consecutive samples must agree. 011 3 consecutive samples must agree. 100 4 consecutive samples must agree. 101 5 consecutive samples must agree. 110 6 consecutive samples must agree. 111 7 consecutive samples must agree.
3 Reserved	This field is reserved. This read-only field is reserved and always has the value 0.
2 Reserved	This field is reserved. This read-only field is reserved and always has the value 0.

Table continues on the next page...

CMPx_CR0 field descriptions (continued)

Field	Description
HYSTCTR	<p>Comparator hard block hysteresis control</p> <p>Defines the programmable hysteresis level. The hysteresis values associated with each level are device-specific. See the Data Sheet of the device for the exact values.</p> <p>00 Level 0 01 Level 1 10 Level 2 11 Level 3</p>

24.3.2 CMP Control Register 1 (CMPx_CR1)

Address: 4007_3000h base + 1h offset = 4007_3001h

Bit	7	6	5	4	3	2	1	0
Read	SE	WE	TRIGM	PMODE	INV	COS	OPE	EN
Write								
Reset	0	0	0	0	0	0	0	0

CMPx_CR1 field descriptions

Field	Description
7 SE	<p>Sample Enable</p> <p>SE must be clear to 0 and usage of sample operation is limited to a divided version of the bus clock.</p> <p>0 Sampling mode is not selected. 1 Sampling mode is selected.</p>
6 WE	<p>Windowing Enable</p> <p>The CMP does not support window compare function and a 0 must always be written to WE.</p> <p>0 Windowing mode is not selected. 1 Windowing mode is selected.</p>
5 TRIGM	<p>Trigger Mode Enable</p> <p>CMP and DAC are configured to CMP Trigger mode when CMP_CR1[TRIGM] is set to 1. In addition, the CMP should be enabled. If the DAC is to be used as a reference to the CMP, it should also be enabled.</p> <p>CMP Trigger mode depends on an external timer resource to periodically enable the CMP and 6-bit DAC in order to generate a triggered compare.</p> <p>Upon setting TRIGM, the CMP and DAC are placed in a standby state until an external timer resource trigger is received.</p> <p>See the chip configuration for details about the external timer resource.</p> <p>0 Trigger mode is disabled. 1 Trigger mode is enabled.</p>
4 PMODE	Power Mode Select

Table continues on the next page...

CMPx_CR1 field descriptions (continued)

Field	Description
	See the electrical specifications table in the device Data Sheet for details. 0 Low-Speed (LS) Comparison mode selected. In this mode, CMP has slower output propagation delay and lower current consumption. 1 High-Speed (HS) Comparison mode selected. In this mode, CMP has faster output propagation delay and higher current consumption.
3 INV	Comparator INVERT Allows selection of the polarity of the analog comparator function. It is also driven to the COUT output, on both the device pin and as SCR[COUT], when OPE=0. 0 Does not invert the comparator output. 1 Inverts the comparator output.
2 COS	Comparator Output Select 0 Set the filtered comparator output (CMPO) to equal COUT. 1 Set the unfiltered comparator output (CMPO) to equal COUTA.
1 OPE	Comparator Output Pin Enable 0 CMPO is not available on the associated CMPO output pin. If the comparator does not own the pin, this field has no effect. 1 CMPO is available on the associated CMPO output pin. The comparator output (CMPO) is driven out on the associated CMPO output pin if the comparator owns the pin. If the comparator does not own the field, this bit has no effect.
0 EN	Comparator Module Enable Enables the Analog Comparator module. When the module is not enabled, it remains in the off state, and consumes no power. When the user selects the same input from analog mux to the positive and negative port, the comparator is disabled automatically. 0 Analog Comparator is disabled. 1 Analog Comparator is enabled.

24.3.3 CMP Filter Period Register (CMPx_FPR)

Address: 4007_3000h base + 2h offset = 4007_3002h

Bit	7	6	5	4	3	2	1	0
Read	FILT_PER							
Write	FILT_PER							
Reset	0	0	0	0	0	0	0	0

CMPx_FPR field descriptions

Field	Description
FILT_PER	Filter Sample Period Specifies the sampling period, in bus clock cycles, of the comparator output filter, when CR1[SE]=0. Setting FILT_PER to 0x0 disables the filter. Filter programming and latency details appear in the Functional description .

24.3.4 CMP Status and Control Register (CMPx_SCR)

Address: 4007_3000h base + 3h offset = 4007_3003h

Bit	7	6	5	4	3	2	1	0
Read	0	DMAEN	0	IER	IEF	CFR	CFF	COUT
Write						w1c	w1c	
Reset	0	0	0	0	0	0	0	0

CMPx_SCR field descriptions

Field	Description
7 Reserved	This field is reserved. This read-only field is reserved and always has the value 0.
6 DMAEN	DMA Enable Control Enables the DMA transfer triggered from the CMP module. When this field is set, a DMA request is asserted when CFR or CFF is set. 0 DMA is disabled. 1 DMA is enabled.
5 Reserved	This field is reserved. This read-only field is reserved and always has the value 0.
4 IER	Comparator Interrupt Enable Rising Enables the CFR interrupt from the CMP. When this field is set, an interrupt will be asserted when CFR is set. 0 Interrupt is disabled. 1 Interrupt is enabled.
3 IEF	Comparator Interrupt Enable Falling Enables the CFF interrupt from the CMP. When this field is set, an interrupt will be asserted when CFF is set. 0 Interrupt is disabled. 1 Interrupt is enabled.
2 CFR	Analog Comparator Flag Rising Detects a rising-edge on COUT, when set, during normal operation. CFR is cleared by writing 1 to it. During Stop modes, CFR is edge sensitive . 0 Rising-edge on COUT has not been detected. 1 Rising-edge on COUT has occurred.
1 CFF	Analog Comparator Flag Falling Detects a falling-edge on COUT, when set, during normal operation. CFF is cleared by writing 1 to it. During Stop modes, CFF is edge sensitive . 0 Falling-edge on COUT has not been detected. 1 Falling-edge on COUT has occurred.

Table continues on the next page...

CMPx_SCR field descriptions (continued)

Field	Description
0 COUT	Analog Comparator Output Returns the current value of the Analog Comparator output, when read. The field is reset to 0 and will read as CR1[INV] when the Analog Comparator module is disabled, that is, when CR1[EN] = 0. Writes to this field are ignored.

24.3.5 DAC Control Register (CMPx_DACCR)

Address: 4007_3000h base + 4h offset = 4007_3004h

Bit	7	6	5	4	3	2	1	0
Read	DACEN	VRSEL	VOSEL					
Write								
Reset	0	0	0	0	0	0	0	0

CMPx_DACCR field descriptions

Field	Description
7 DACEN	DAC Enable Enables the DAC. When the DAC is disabled, it is powered down to conserve power. 0 DAC is disabled. 1 DAC is enabled.
6 VRSEL	Supply Voltage Reference Source Select 0 V_{in1} is selected as resistor ladder network supply reference. 1 V_{in2} is selected as resistor ladder network supply reference.
VOSEL	DAC Output Voltage Select Selects an output voltage from one of 64 distinct levels. $DACO = (V_{in} / 64) * (VOSEL[5:0] + 1)$, so the DACO range is from $V_{in} / 64$ to V_{in} .

24.3.6 MUX Control Register (CMPx_MUXCR)

Address: 4007_3000h base + 5h offset = 4007_3005h

Bit	7	6	5	4	3	2	1	0
Read	PSTM	0	PSEL			MSEL		
Write								
Reset	0	0	0	0	0	0	0	0

CMPx_MUXCR field descriptions

Field	Description
7 PSTM	Pass Through Mode Enable

Table continues on the next page...

CMPx_MUXCR field descriptions (continued)

Field	Description
	<p>This bit is used to enable to MUX pass through mode. Pass through mode is always available but for some devices this feature must be always disabled due to the lack of package pins.</p> <p>0 Pass Through Mode is disabled. 1 Pass Through Mode is enabled.</p>
6 Reserved	<p>This field is reserved. This read-only field is reserved and always has the value 0.</p>
5–3 PSEL	<p>Plus Input Mux Control</p> <p>Determines which input is selected for the plus input of the comparator. For INx inputs, see CMP, DAC, and ANMUX block diagrams.</p> <p>NOTE: When an inappropriate operation selects the same input for both muxes, the comparator automatically shuts down to prevent itself from becoming a noise generator.</p> <p>000 IN0 001 IN1 010 IN2 011 IN3 100 IN4 101 IN5 110 IN6 111 IN7</p>
MSEL	<p>Minus Input Mux Control</p> <p>Determines which input is selected for the minus input of the comparator. For INx inputs, see CMP, DAC, and ANMUX block diagrams.</p> <p>NOTE: When an inappropriate operation selects the same input for both muxes, the comparator automatically shuts down to prevent itself from becoming a noise generator.</p> <p>000 IN0 001 IN1 010 IN2 011 IN3 100 IN4 101 IN5 110 IN6 111 IN7</p>

24.4 Functional description

The CMP module can be used to compare two analog input voltages applied to INP and INM.

CMPO is high when the non-inverting input is greater than the inverting input, and is low when the non-inverting input is less than the inverting input. This signal can be selectively inverted by setting $CR1[INV] = 1$.

SCR[IER] and SCR[IEF] are used to select the condition which will cause the CMP module to assert an interrupt to the processor. SCR[CFF] is set on a falling-edge and SCR[CFR] is set on rising-edge of the comparator output. The optionally filtered CMPO can be read directly through SCR[COUT].

24.4.1 CMP functional modes

There are the following main sub-blocks to the CMP module:

- The comparator itself
- The filter function

The filter, CR0[FILTER_CNT], can be clocked from an internal clock source only. The filter is programmable with respect to the number of samples that must agree before a change in the output is registered. In the simplest case, only one sample must agree. In this case, the filter acts as a simple sampler.

The comparator filter and sampling features can be combined as shown in the following table. Individual modes are discussed below.

Table 24-2. Comparator sample/filter controls

Mode #	CR1[EN]	CR1[WE]	CR1[SE]	CR0[FILTER_CNT]	FPR[FILT_PER]	Operation
1	0	X	X	X	X	Disabled See the Disabled mode (# 1) .
2A	1	0	0	0x00	X	Continuous Mode See the Continuous mode (#s 2A & 2B) .
2B	1	0	0	X	0x00	
3B	1	0	0	0x01	> 0x00	Sampled, Non-Filtered mode See the Sampled, Non-Filtered mode (#s 3B) .
4B	1	0	0	> 0x01	> 0x00	Sampled, Filtered mode See the Sampled, Filtered mode (#s 4B) .
All other combinations of CR1[EN], CR1[WE], CR1[SE], CR0[FILTER_CNT], and FPR[FILT_PER] are illegal.						

For cases where a comparator is used to drive a fault input, for example, for a motor-control module such as FTM, it must be configured to operate in Continuous mode so that an external fault can immediately pass through the comparator to the target fault circuitry.

Note

Filtering and sampling settings must be changed only after setting CR1[SE]=0 and CR0[FILTER_CNT]=0x00. This resets the filter to a known state.

24.4.1.1 Disabled mode (# 1)

In Disabled mode, the analog comparator is non-functional and consumes no power. CMPO is 0 in this mode.

24.4.1.2 Continuous mode (#s 2A & 2B)

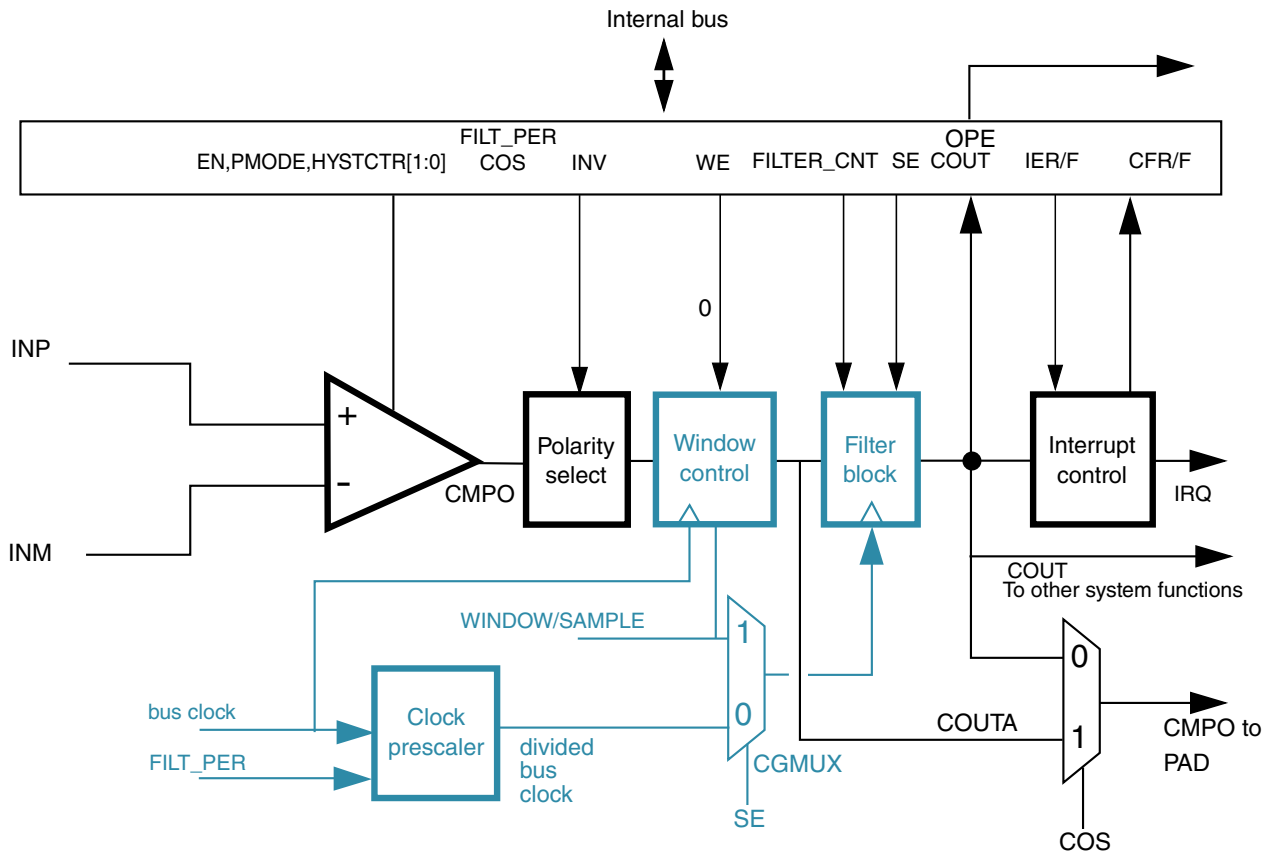


Figure 24-3. Comparator operation in Continuous mode

The analog comparator block is powered and active. CMPO may be optionally inverted, but is not subject to external sampling or filtering. Both window control and filter blocks are completely bypassed. SCR[COUT] is updated continuously. The path from comparator input pins to output pin is operating in combinational unlocked mode. COUT and COUTA are identical.

For control configurations which result in disabling the filter block, see the [Filter Block Bypass Logic](#) diagram.

24.4.1.3 Sampled, Non-Filtered mode (#s 3B)

In Sampled, Non-Filtered mode, the analog comparator block is powered and active. The path from analog inputs to COUTA is combinational unlocked. Windowing control is completely bypassed. COUTA is sampled whenever a rising-edge is detected on the filter block clock input.

The comparator filter has no other function than sample/hold of the comparator output in this mode (# 3B).

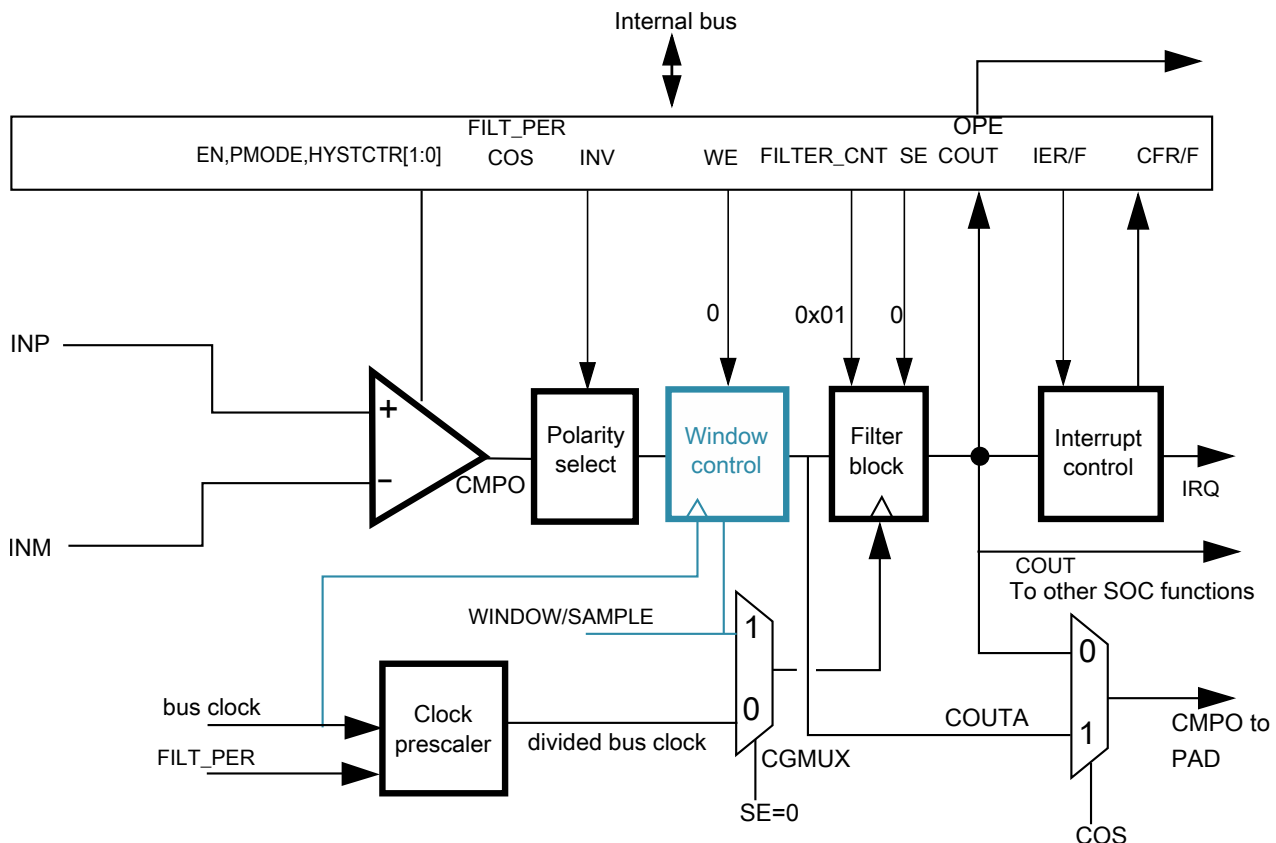


Figure 24-4. Sampled, Non-Filtered (# 3B): sampling interval internally derived

24.4.1.4 Sampled, Filtered mode (#s 4B)

In Sampled, Filtered mode, the analog comparator block is powered and active. The path from analog inputs to COUTA is combinational unlocked. Windowing control is completely bypassed. COUTA is sampled whenever a rising edge is detected on the filter block clock input.

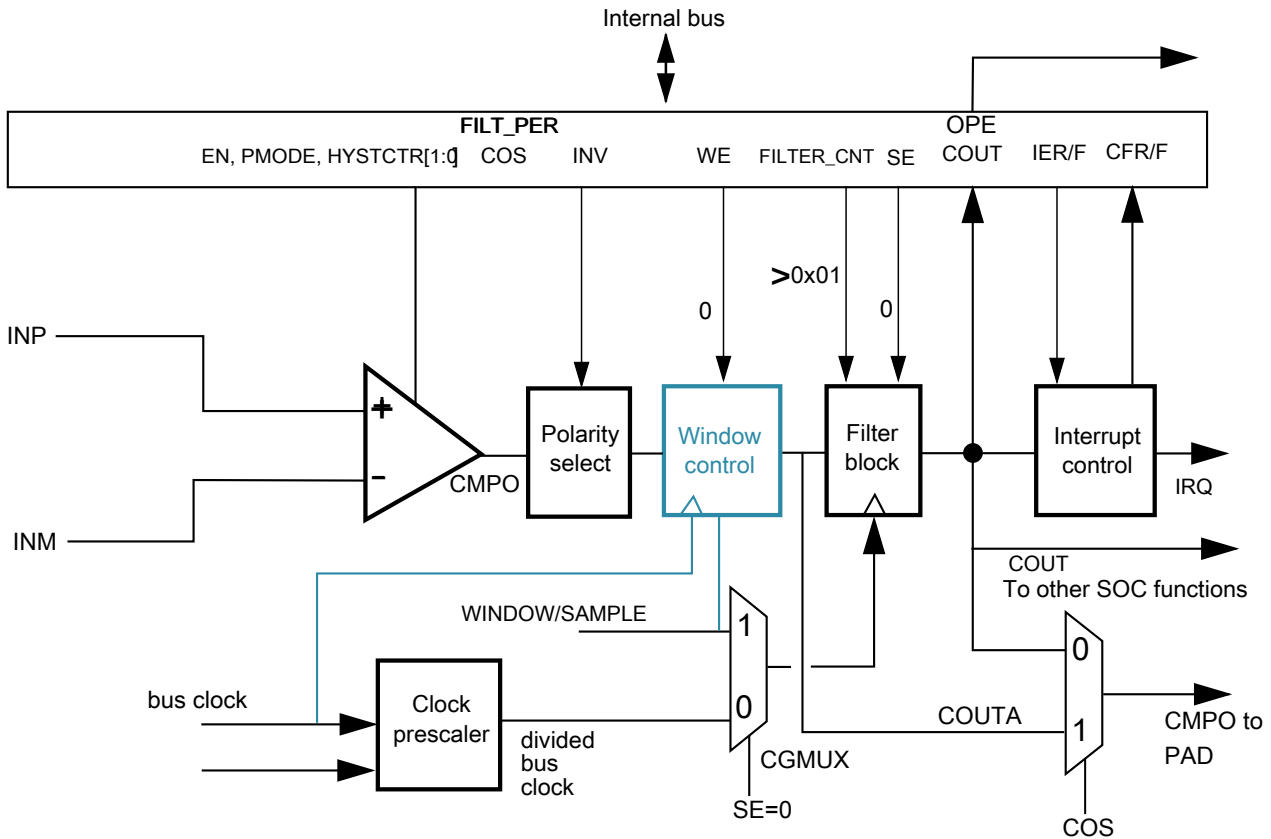


Figure 24-5. Sampled, Filtered (# 4B): sampling point internally derived

The only difference in operation between Sampled, Non-Filtered (# 3B) and Sampled, Filtered (# 4B) is that now, $CR0[FILTER_CNT] > 1$, which activates filter operation.

24.4.2 Power modes

24.4.2.1 Wait mode operation

During Wait and VLPW modes, the CMP, if enabled, continues to operate normally and a CMP interrupt can wake the MCU.

24.4.2.2 Stop mode operation

Depending on clock restrictions related to the MCU core or core peripherals, the MCU is brought out of stop when a compare event occurs and the corresponding interrupt is enabled. Similarly, if CR1[OPE] is enabled, the comparator output operates as in the normal operating mode and comparator output is placed onto the external pin. In Stop modes, the comparator can be operational in both:

- High-Speed (HS) Comparison mode when CR1[PMODE] = 1
- Low-Speed (LS) Comparison mode when CR1[PMODE] = 0

It is recommended to use the LS mode to minimize power consumption.

If stop is exited with a reset, all comparator registers are put into their reset state.

24.4.2.3 Low-Leakage mode operation

When the chip is in Low-Leakage modes:

- The CMP module is partially functional and is limited to Low-Speed mode, regardless of CR1[PMODE] setting
- Windowed, Sampled, and Filtered modes are not supported
- The CMP output pin is latched and does not reflect the compare output state.

The positive- and negative-input voltage can be supplied from external pins or the DAC output. The MCU can be brought out of the Low-Leakage mode if a compare event occurs and the CMP interrupt is enabled. After wakeup from low-leakage modes, the CMP module is in the reset state except for SCR[CFF] and SCR[CFR].

24.4.2.4 Background Debug Mode Operation

When the microcontroller is in active background debug mode, the CMP continues to operate normally.

24.4.3 Startup and operation

A typical startup sequence is listed here.

- The time required to stabilize COUT will be the power-on delay of the comparators plus the largest propagation delay from a selected analog source through the analog

comparator and filter. See the Data Sheets for power-on delays of the comparators. The filter delay is specified in the [Low-pass filter](#).

- During operation, the propagation delay of the selected data paths must always be considered. It may take many bus clock cycles for COUT and SCR[CFR]/SCR[CFF] to reflect an input change or a configuration change to one of the components involved in the data path.
- When programmed for filtering modes, COUT will initially be equal to 0, until sufficient clock cycles have elapsed to fill all stages of the filter. This occurs even if COUTA is at a logic 1.

24.4.4 Low-pass filter

The low-pass filter operates on the unfiltered and unsynchronized and optionally inverted comparator output COUTA and generates the filtered and synchronized output COUT.

Both COUTA and COUT can be configured as module outputs and are used for different purposes within the system.

Synchronization and edge detection are always used to determine status register bit values. They also apply to COUT for all sampling modes. Filtering can be performed using an internal timebase defined by FPR[FILT_PER] to determine sample time.

The need for digital filtering and the amount of filtering is dependent on user requirements. Filtering can become more useful in the absence of an external hysteresis circuit. Without external hysteresis, high-frequency oscillations can be generated at COUTA when the selected INM and INP input voltages differ by less than the offset voltage of the differential comparator.

24.4.4.1 Enabling filter modes

Filter modes can be enabled by:

- Setting CR0[FILTER_CNT] > 0x01 and
- Setting FPR[FILT_PER] to a nonzero value

Using the divided bus clock to drive the filter, it will take samples of COUTA every FPR[FILT_PER] bus clock cycles.

The filter output will be at logic 0 when first initialized, and will subsequently change when all the consecutive CR0[FILTER_CNT] samples agree that the output value has changed. In other words, SCR[COUT] will be 0 for some initial period, even when COUTA is at logic 1.

Setting FPR[FILT_PER] to 0 disables the filter and eliminates switching current associated with the filtering process.

Note

Always switch to this setting prior to making any changes in filter parameters. This resets the filter to a known state. Switching CR0[FILTER_CNT] on the fly without this intermediate step can result in unexpected behavior.

24.4.4.2 Latency issues

The value of FPR[FILT_PER] or SAMPLE period must be set such that the sampling period is just longer than the period of the expected noise. This way a noise spike will corrupt only one sample. The value of CR0[FILTER_CNT] must be chosen to reduce the probability of noisy samples causing an incorrect transition to be recognized. The probability of an incorrect transition is defined as the probability of an incorrect sample raised to the power of CR0[FILTER_CNT].

The values of FPR[FILT_PER] or SAMPLE period and CR0[FILTER_CNT] must also be traded off against the desire for minimal latency in recognizing actual comparator output transitions. The probability of detecting an actual output change within the nominal latency is the probability of a correct sample raised to the power of CR0[FILTER_CNT].

The following table summarizes maximum latency values for the various modes of operation *in the absence of noise*. Filtering latency is restarted each time an actual output transition is masked by noise.

Table 24-3. Comparator sample/filter maximum latencies

Mode #	CR1[EN]	CR1[WE]	CR1[SE]	CR0[FILTER_CNT]	FPR[FILT_PER]	Operation	Maximum latency ¹
1	0	X	X	X	X	Disabled	N/A
2A	1	0	0	0x00	X	Continuous Mode	T _{PD}
2B	1	0	0	X	0x00		
3B	1	0	0	0x01	> 0x00	Sampled, Non-Filtered mode	T _{PD} + (FPR[FILT_PER] * T _{per}) + T _{per}
4B	1	0	0	> 0x01	> 0x00	Sampled, Filtered mode	T _{PD} + (CR0[FILTER_CNT] * FPR[FILT_PER] x T _{per}) + T _{per}

1. T_{PD} represents the intrinsic delay of the analog component plus the polarity select logic. T_{per} is the period of the bus clock.

24.5 CMP interrupts

The CMP module is capable of generating an interrupt on either the rising- or falling-edge of the comparator output, or both.

The following table gives the conditions in which the interrupt request is asserted and deasserted.

When	Then
SCR[IER] and SCR[CFR] are set	The interrupt request is asserted
SCR[IEF] and SCR[CFF] are set	The interrupt request is asserted
SCR[IER] and SCR[CFR] are cleared for a rising-edge interrupt	The interrupt request is deasserted
SCR[IEF] and SCR[CFF] are cleared for a falling-edge interrupt	The interrupt request is deasserted

24.6 DMA support

Normally, the CMP generates a CPU interrupt if there is a change on the COUT. When DMA support is enabled by setting SCR[DMAEN] and the interrupt is enabled by setting SCR[IER], SCR[IEF], or both, the corresponding change on COUT forces a DMA transfer request rather than a CPU interrupt instead. When the DMA has completed the transfer, it sends a transfer completing indicator that deasserts the DMA transfer request and clears the flag to allow a subsequent change on comparator output to occur and force another DMA request.

The comparator can remain functional in STOP modes.

When DMA support is enabled by setting SCR[DMAEN] and the interrupt is enabled by setting SCR[IER], SCR[IEF], or both, the corresponding change on COUT forces a DMA transfer request to wake up the system from STOP modes. After the data transfer has finished, system will go back to STOP modes. Refer to DMA chapters in the device reference manual for the asynchronous DMA function for details.

24.7 CMP Asynchronous DMA support

The comparator can remain functional in STOP modes.

When DMA support is enabled by setting SCR[DMAEN] and the interrupt is enabled by setting SCR[IER], SCR[IEF], or both, the corresponding change on COUT forces a DMA transfer request to wake up the system from STOP modes. After the data transfer has finished, system will go back to STOP modes. Refer to DMA chapters in the device reference manual for the asynchronous DMA function for details.

24.8 Digital-to-analog converter

The figure found here shows the block diagram of the DAC module.

It contains a 64-tap resistor ladder network and a 64-to-1 multiplexer, which selects an output voltage from one of 64 distinct levels that outputs from DACO. It is controlled through the DAC Control Register (DACCR). Its supply reference source can be selected from two sources V_{in1} and V_{in2} . The module can be powered down or disabled when not in use. When in Disabled mode, DACO is connected to the analog ground.

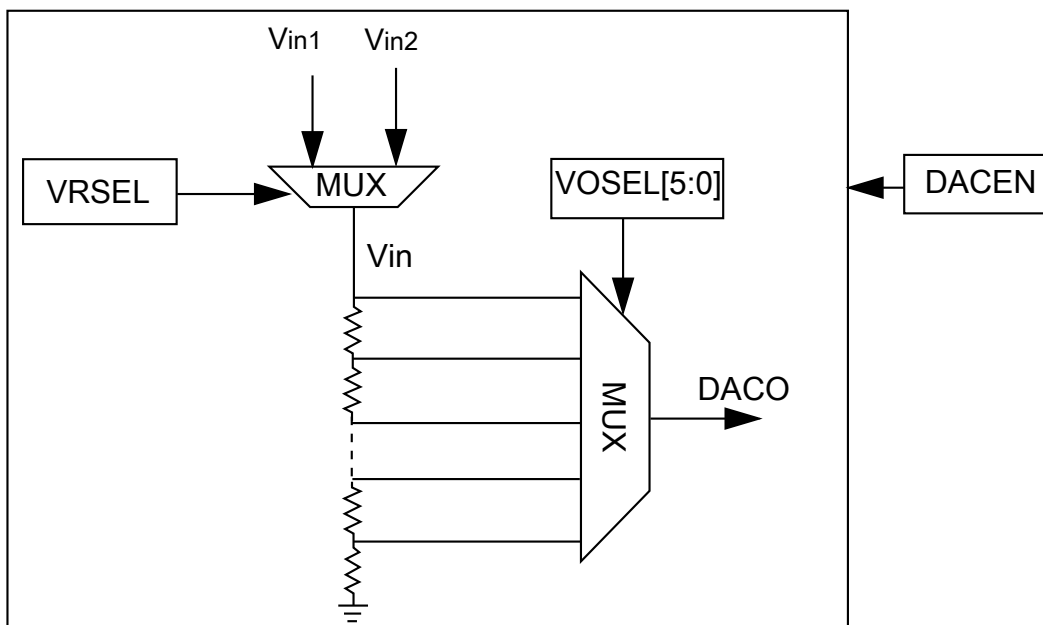


Figure 24-6. 6-bit DAC block diagram

24.9 DAC functional description

This section provides DAC functional description information.

24.9.1 Voltage reference source select

- V_{in1} connects to the primary voltage source as supply reference of 64 tap resistor ladder
- V_{in2} connects to an alternate voltage source

24.10 DAC resets

This module has a single reset input, corresponding to the chip-wide peripheral reset.

24.11 DAC clocks

This module has a single clock input, the bus clock.

24.12 DAC interrupts

This module has no interrupts.

24.13 CMP Trigger Mode

CMP and DAC are configured to CMP Trigger mode when `CMP_CR1[TRIGM]` is set to 1.

In addition, the CMP must be enabled. If the DAC is to be used as a reference to the CMP, it must also be enabled.

CMP Trigger mode depends on an external timer resource to periodically enable the CMP and 6-bit DAC in order to generate a triggered compare.

Upon setting `TRIGM`, the CMP and DAC are placed in a standby state until an external timer resource trigger is received.

Chapter 25

12-bit Digital-to-Analog Converter (DAC)

25.1 Introduction

The 12-bit digital-to-analog converter (DAC) is a low-power, general-purpose DAC. The output of the DAC can be placed on an external pin or set as one of the inputs to the analog comparator, op-amps, or ADC.

25.2 Features

The features of the DAC module include:

- On-chip programmable reference generator output. The voltage output range is from $1/4096 V_{in}$ to V_{in} , and the step is $1/4096 V_{in}$, where V_{in} is the input voltage.
- V_{in} can be selected from two reference sources
- Static operation in Normal Stop mode
- 2-word data buffer supported with multiple operation modes
- DMA support

25.3 Block diagram

The block diagram of the DAC module is as follows:

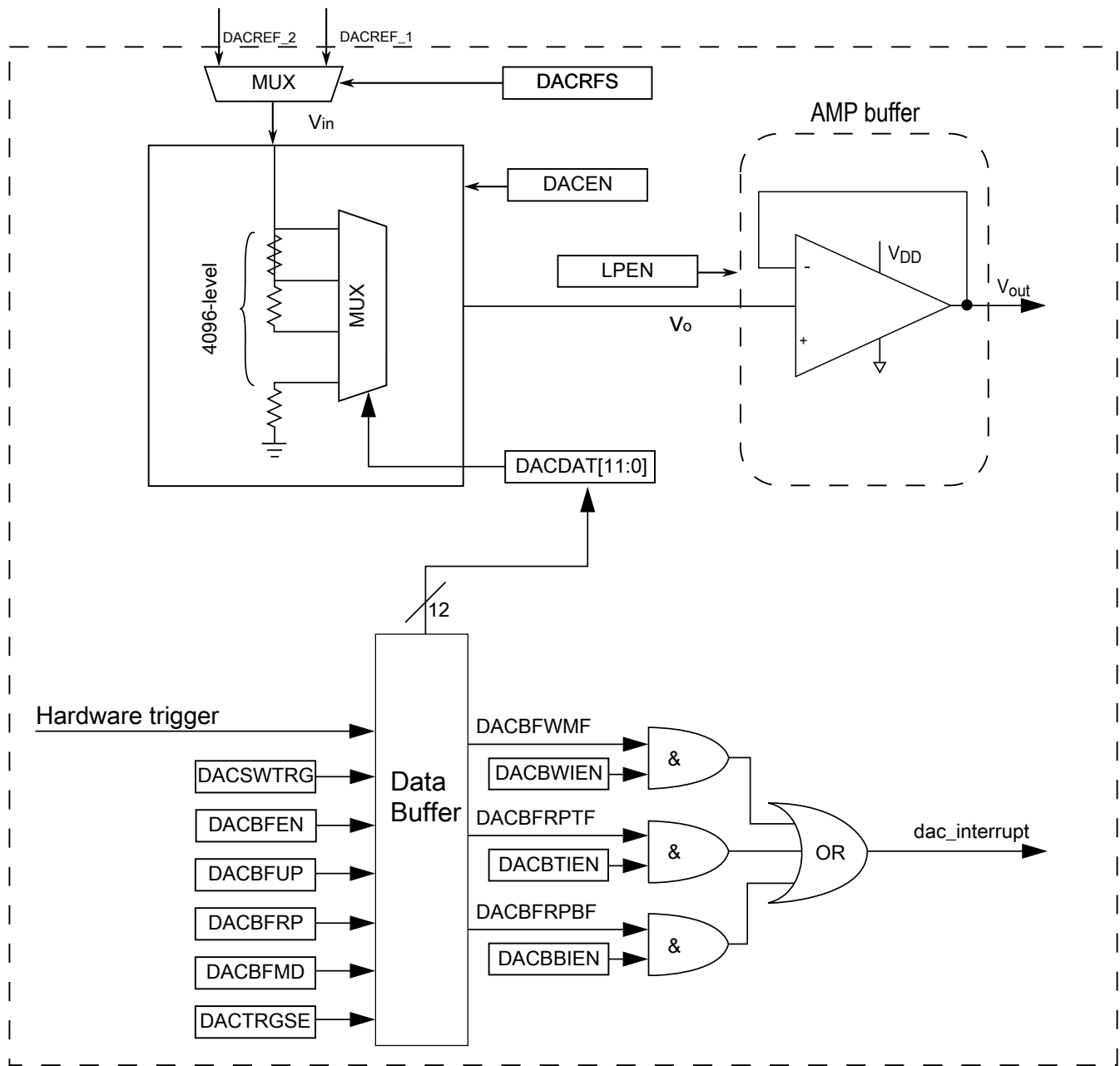


Figure 25-1. DAC block diagram

25.4 Memory map/register definition

The DAC has registers to control analog comparator and programmable voltage divider to perform the digital-to-analog functions.

DAC memory map

Absolute address (hex)	Register name	Width (in bits)	Access	Reset value	Section/page
4003_F000	DAC Data Low Register (DAC0_DAT0L)	8	R/W	00h	25.4.1/429
4003_F001	DAC Data High Register (DAC0_DAT0H)	8	R/W	00h	25.4.2/429
4003_F002	DAC Data Low Register (DAC0_DAT1L)	8	R/W	00h	25.4.1/429
4003_F003	DAC Data High Register (DAC0_DAT1H)	8	R/W	00h	25.4.2/429
4003_F020	DAC Status Register (DAC0_SR)	8	R/W	See section	25.4.3/430
4003_F021	DAC Control Register (DAC0_C0)	8	R/W	00h	25.4.4/431
4003_F022	DAC Control Register 1 (DAC0_C1)	8	R/W	00h	25.4.5/432
4003_F023	DAC Control Register 2 (DAC0_C2)	8	R/W	01h	25.4.6/432

25.4.1 DAC Data Low Register (DACx_DATnL)

Address: 4003_F000h base + 0h offset + (2d × i), where i=0d to 1d

Bit	7	6	5	4	3	2	1	0
Read	DATA0							
Write	DATA0							
Reset	0	0	0	0	0	0	0	0

DACx_DATnL field descriptions

Field	Description
DATA0	<p>DATA0</p> <p>When the DAC buffer is not enabled, DATA[11:0] controls the output voltage based on the following formula: $V_{out} = V_{in} * (1 + DACDAT0[11:0])/4096$</p> <p>When the DAC buffer is enabled, DATA is mapped to the 16-word buffer.</p>

25.4.2 DAC Data High Register (DACx_DATnH)

Address: 4003_F000h base + 1h offset + (2d × i), where i=0d to 1d

Bit	7	6	5	4	3	2	1	0
Read	0				DATA1			
Write	0				DATA1			
Reset	0	0	0	0	0	0	0	0

DACx_DATnH field descriptions

Field	Description
7–4 Reserved	<p>This field is reserved.</p> <p>This read-only field is reserved and always has the value 0.</p>
DATA1	DATA1

Table continues on the next page...

DACx_DATnH field descriptions (continued)

Field	Description
	When the DAC Buffer is not enabled, DATA[11:0] controls the output voltage based on the following formula. $V_{out} = V_{in} * (1 + DACDAT0[11:0])/4096$
	When the DAC buffer is enabled, DATA[11:0] is mapped to the 16-word buffer.

25.4.3 DAC Status Register (DACx_SR)

If DMA is enabled, the flags can be cleared automatically by DMA when the DMA request is done. Writing 0 to a field clears it whereas writing 1 has no effect. After reset, DACBFRPTF is set and can be cleared by software, if needed. The flags are set only when the data buffer status is changed.

Address: 4003_F000h base + 20h offset = 4003_F020h

Bit	7	6	5	4	3	2	1	0
Read	0					0	DACBFRPT	DACBFRPB
Write							F	F
Reset	0	0	0	0	0	0	1	0

DACx_SR field descriptions

Field	Description
7–3 Reserved	This field is reserved. This read-only field is reserved and always has the value 0.
2 Reserved	This field is reserved. This read-only field is reserved and always has the value 0.
1 DACBFRPTF	DAC Buffer Read Pointer Top Position Flag In FIFO mode, it is FIFO nearly empty flag. It is set when only one data remains in FIFO. Any DAC trigger does not increase the Read Pointer if this bit is set to avoid any possible glitch or abrupt change at DAC output. It is cleared automatically if FIFO is not empty. 0 The DAC buffer read pointer is not zero. 1 The DAC buffer read pointer is zero.
0 DACBFRPBF	DAC Buffer Read Pointer Bottom Position Flag In FIFO mode, it is FIFO FULL status bit. It means FIFO read pointer equals Write Pointer because of Write Pointer increase. If this bit is set, any write to FIFO from either DMA or CPU is ignored by DAC. It is cleared if there is any DAC trigger making the DAC read pointer increase. Write to this bit is ignored in FIFO mode. 0 The DAC buffer read pointer is not equal to C2[DACBFUP]. 1 The DAC buffer read pointer is equal to C2[DACBFUP].

25.4.4 DAC Control Register (DACx_C0)

Address: 4003_F000h base + 21h offset = 4003_F021h

Bit	7	6	5	4	3	2	1	0
Read	DACEN	DACRFS	DACTRGSEL	0	LPEN	0	DACBTIEN	DACBBIEN
Write			L	DACSWTRG				
Reset	0	0	0	0	0	0	0	0

DACx_C0 field descriptions

Field	Description
7 DACEN	<p>DAC Enable</p> <p>Starts the Programmable Reference Generator operation.</p> <p>0 The DAC system is disabled. 1 The DAC system is enabled.</p>
6 DACRFS	<p>DAC Reference Select</p> <p>0 The DAC selects DACREF_1 as the reference voltage. 1 The DAC selects DACREF_2 as the reference voltage.</p>
5 DACTRGSEL	<p>DAC Trigger Select</p> <p>0 The DAC hardware trigger is selected. 1 The DAC software trigger is selected.</p>
4 DACSWTRG	<p>DAC Software Trigger</p> <p>Active high. This is a write-only field, which always reads 0. If DAC software trigger is selected and buffer is enabled, writing 1 to this field will advance the buffer read pointer once.</p> <p>0 The DAC soft trigger is not valid. 1 The DAC soft trigger is valid.</p>
3 LPEN	<p>DAC Low Power Control</p> <p>NOTE: See the 12-bit DAC electrical characteristics of the device data sheet for details on the impact of the modes below.</p> <p>0 High-Power mode 1 Low-Power mode</p>
2 Reserved	<p>This field is reserved. This read-only field is reserved and always has the value 0.</p>
1 DACBTIEN	<p>DAC Buffer Read Pointer Top Flag Interrupt Enable</p> <p>0 The DAC buffer read pointer top flag interrupt is disabled. 1 The DAC buffer read pointer top flag interrupt is enabled.</p>
0 DACBBIEN	<p>DAC Buffer Read Pointer Bottom Flag Interrupt Enable</p> <p>0 The DAC buffer read pointer bottom flag interrupt is disabled. 1 The DAC buffer read pointer bottom flag interrupt is enabled.</p>

25.4.5 DAC Control Register 1 (DACx_C1)

Address: 4003_F000h base + 22h offset = 4003_F022h

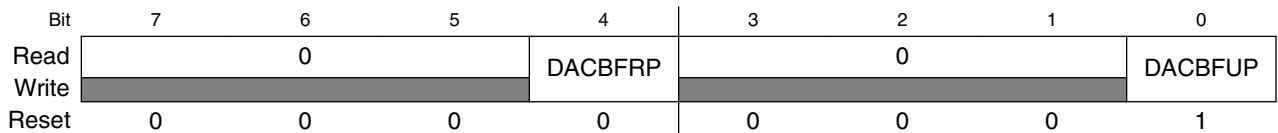


DACx_C1 field descriptions

Field	Description
7 DMAEN	DMA Enable Select 0 DMA is disabled. 1 DMA is enabled. When DMA is enabled, the DMA request will be generated by original interrupts. The interrupts will not be presented on this module at the same time.
6-3 Reserved	This field is reserved. This read-only field is reserved and always has the value 0.
2-1 DACBFMD	DAC Buffer Work Mode Select 00 Normal mode 01 Reserved 10 One-Time Scan mode 11 FIFO mode
0 DACBFEN	DAC Buffer Enable 0 Buffer read pointer is disabled. The converted data is always the first word of the buffer. 1 Buffer read pointer is enabled. The converted data is the word that the read pointer points to. It means converted data can be from any word of the buffer.

25.4.6 DAC Control Register 2 (DACx_C2)

Address: 4003_F000h base + 23h offset = 4003_F023h



DACx_C2 field descriptions

Field	Description
7-5 Reserved	This field is reserved. This read-only field is reserved and always has the value 0.

Table continues on the next page...

DACx_C2 field descriptions (continued)

Field	Description
4 DACBFRP	DAC Buffer Read Pointer In normal mode it keeps the current value of the buffer read pointer. FIFO mode, it is the FIFO read pointer. It is writable in FIFO mode. User can configure it to same address to reset FIFO as empty.
3–1 Reserved	This field is reserved. This read-only field is reserved and always has the value 0.
0 DACBFUP	DAC Buffer Upper Limit In normal mode it selects the upper limit of the DAC buffer. The buffer read pointer cannot exceed it. In FIFO mode it is the FIFO write pointer. User cannot set Buffer Up limit in FIFO mode. In Normal mode its reset value is MAX. When IP is configured to FIFO mode, this register becomes Write_Pointer, and its value is initially set to equal READ_POINTER automatically, and the FIFO status is empty. It is writable and user can configure it to the same address to reset FIFO as empty.

25.5 Functional description

The 12-bit DAC module can select one of the two reference inputs—DACREF_1 and DACREF_2 as the DAC reference voltage, V_{in} by C0 [DACRFS]. See the chip-specific DAC information to determine the source options for DACREF_1 and DACREF_2.

When the DAC is enabled, it converts the data in DACDAT0[11:0] or the data from the DAC data buffer to a stepped analog output voltage. The output voltage range is from V_{in} to $V_{in}/4096$, and the step is $V_{in}/4096$.

25.5.1 DAC data buffer operation

When the DAC is enabled and the buffer is not enabled, the DAC module always converts the data in DAT0 to the analog output voltage.

When both the DAC and the buffer are enabled, the DAC converts the data in the data buffer to analog output voltage. The data buffer read pointer advances to the next word whenever a hardware or software trigger event occurs.

The data buffer can be configured to operate in Normal mode, One-Time Scan mode or FIFO mode. When the buffer operation is switched from one mode to another, the read pointer does not change. The read pointer can be set to any value between 0 and C2[DACBFUP] by writing C2[DACBFRP].

25.5.1.1 DAC data buffer interrupts

There are several interrupts and associated flags that can be configured for the DAC buffer. SR[DACBFRPBF] is set when the DAC buffer read pointer reaches the DAC buffer upper limit, that is, C2[DACBFRP] = C2[DACBFUP]. SR[DACBFRPTF] is set when the DAC read pointer is equal to the start position, 0.

25.5.1.2 Modes of DAC data buffer operation

The following table describes the different modes of data buffer operation for the DAC module.

Table 25-1. Modes of DAC data buffer operation

Modes	Description
Buffer Normal mode	This is the default mode. The buffer works as a circular buffer. The read pointer increases by one, every time the trigger occurs. When the read pointer reaches the upper limit, it goes to 0 directly in the next trigger event.
Buffer One-time Scan mode	The read pointer increases by 1 every time the trigger occurs. When it reaches the upper limit, it stops there. If read pointer is reset to the address other than the upper limit, it will increase to the upper address and stop there again. NOTE: If the software set the read pointer to the upper limit, the read pointer will not advance in this mode.
FIFO Mode	In FIFO mode, the buffer is organized as a FIFO. For a valid write to any DACDATx, the data is put into the FIFO, and the write pointer is automatically incremented. The module is connected internally to a 32bit interface. For any 16bit or 8bit FIFO access, address bit[1] needs to be 0; otherwise, the write is ignored. For any 32bit FIFO access, the Write_Pointer needs to be an EVEN number; otherwise, the write is ignored. NOTE: A successful 32bit FIFO write will increase the write pointer by 2. Any write will cause the FIFO over-flow will be ignored, the cases includes: 1.FIFO is full, the write will be ignored. 2.FIFO is nearly full (FIFO_SIZE-1), 32bit write will be ignored. NOTE: For 8bit write, address bit[0] determine which byte lane will be written to the FIFO according to little endian alignment. Only both byte lanes are written will the write pointer increase. User need to make sure 8bit access happened in pair and both upper & lower bytes are written. There is no requirement on which byte write first. In FIFO mode, there is no change to read access of DACDATx (from normal mode), read to DACDATx will return the DATA addressed by the access address to the data buffer, and both write pointer and read pointer in FIFO mode will NOT be changed by read access. FIFO write can

Table 25-1. Modes of DAC data buffer operation

Modes	Description
	<p>be happened when DAC is not enabled for 1st data conversion enable. But FIFO mode need to work at buffer Enabled at DAC1[DACBFEN].</p> <p>In FIFO mode, the DATA BUF will be organized as FIFO.</p>

25.5.2 DMA operation

When DMA is enabled, DMA requests are generated instead of interrupt requests. The DMA Done signal clears the DMA request.

The status register flags are still set and are cleared automatically when the DMA completes.

25.5.3 Resets

During reset, the DAC is configured in the default mode and is disabled.

25.5.4 Low-Power mode operation

The following table shows the wait mode and the stop mode operation of the DAC module.

Table 25-2. Modes of operation

Modes of operation	Description
Wait mode	The DAC will operate normally, if enabled.
Stop mode	<p>If enabled, the DAC module continues to operate in Normal Stop mode and the output voltage will hold the value before stop.</p> <p>In low-power stop modes, the DAC is fully shut down.</p>

NOTE

The assignment of module modes to core modes is chip-specific. For module-to-core mode assignments, see the chapter that describes how modules are configured.

Chapter 26

Voltage Reference (VREFV1)

26.1 Introduction

The Voltage Reference (VREF) is intended to supply an accurate voltage output that can be trimmed in 0.5 mV steps. The VREF can be used in applications to provide a reference voltage to external devices or used internally as a reference to analog peripherals such as the ADC, DAC, or CMP. The voltage reference has three operating modes that provide different levels of supply rejection and power consumption.

The following figure is a block diagram of the Voltage Reference.

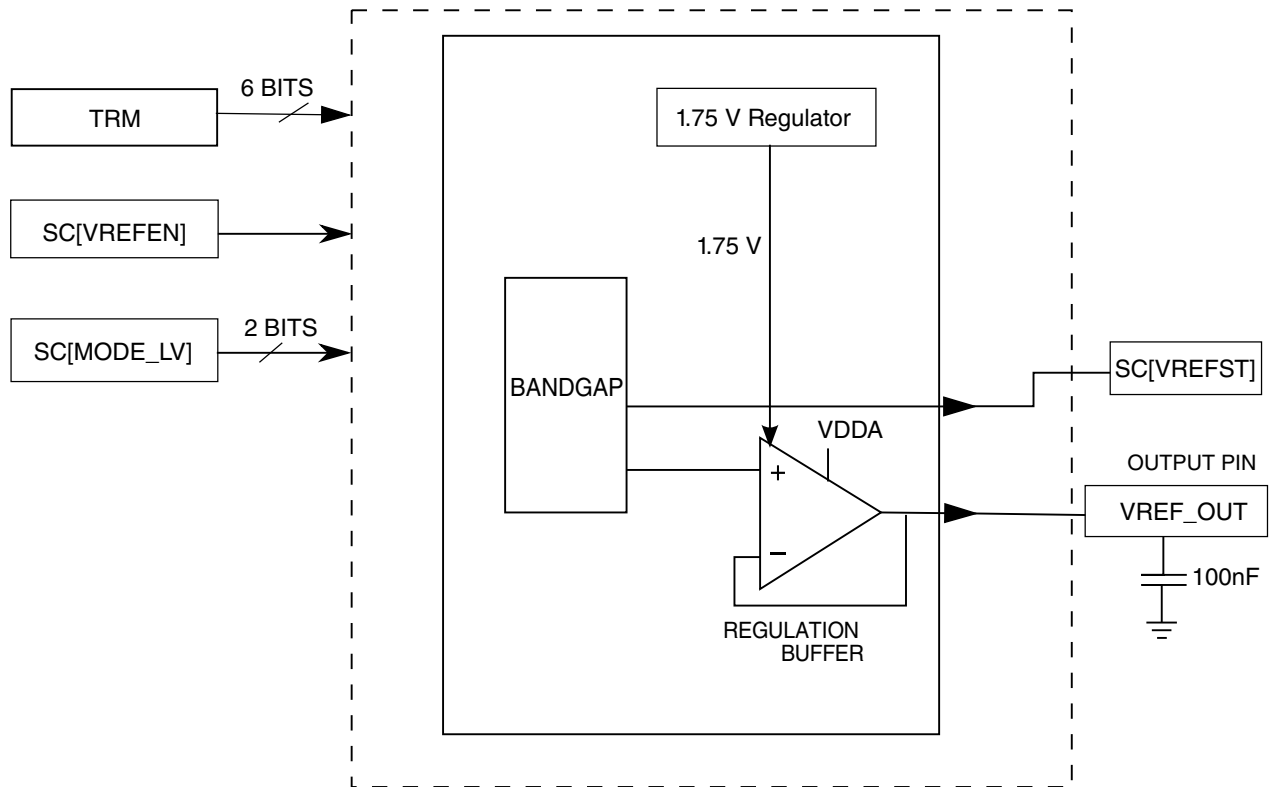


Figure 26-1. Voltage reference block diagram

26.1.1 Overview

The Voltage Reference provides a buffered reference voltage for use as an external reference. In addition, the buffered reference is available internally for use with on chip peripherals such as ADCs and DACs. Refer to the chip configuration details for a description of these options. The reference voltage signal is output on a dedicated output pin when the VREF is enabled. The Voltage Reference output can be trimmed with a resolution of 0.5mV by means of the TRM register TRIM[5:0] bitfield.

26.1.2 Features

The Voltage Reference has the following features:

- Programmable trim register with 0.5 mV steps, automatically loaded with factory trimmed value upon reset
- Programmable buffer mode selection:
 - Off
 - Bandgap enabled/standby (output buffer disabled)
 - Low power buffer mode (output buffer enabled)
 - High power buffer mode (output buffer enabled)
- 1.2 V output at room temperature
- Dedicated output pin, VREF_OUT

26.1.3 Modes of Operation

The Voltage Reference continues normal operation in Run, Wait, and Stop modes. The Voltage Reference can also run in Very Low Power Run (VLPR), Very Low Power Wait (VLPW) and Very Low Power Stop (VLPS). If it is desired to use the VREF regulator and/or the chop oscillator in the very low power modes, the system reference voltage (also referred to as the bandgap voltage reference) must be enabled in these modes. Refer to the chip configuration details for information on enabling this mode of operation. Having the VREF regulator enabled does increase current consumption. In very low

power modes it may be desirable to disable the VREF regulator to minimize current consumption. Note however that the accuracy of the output voltage will be reduced (by as much as several mVs) when the VREF regulator is not used.

NOTE

The assignment of module modes to core modes is chip-specific. For module-to-core mode assignments, see the chapter that describes how modules are configured.

26.1.4 VREF Signal Descriptions

The following table shows the Voltage Reference signals properties.

Table 26-1. VREF Signal Descriptions

Signal	Description	I/O
VREF_OUT	Internally-generated Voltage Reference output	O

NOTE

When the VREF output buffer is disabled, the status of the VREF_OUT signal is high-impedance.

26.2 Memory Map and Register Definition

VREF memory map

Absolute address (hex)	Register name	Width (in bits)	Access	Reset value	Section/page
4007_4000	VREF Trim Register (VREF_TRM)	8	R/W	See section	26.2.1/440
4007_4001	VREF Status and Control Register (VREF_SC)	8	R/W	00h	26.2.2/441

26.2.1 VREF Trim Register (VREF_TRM)

This register contains bits that contain the trim data for the Voltage Reference.

Address: 4007_4000h base + 0h offset = 4007_4000h

Bit	7	6	5	4	3	2	1	0
Read	Reserved	CHOPEN	TRIM					
Write								
Reset	x*	0	x*	x*	x*	x*	x*	x*

* Notes:

- x = Undefined at reset.

VREF_TRM field descriptions

Field	Description
7 Reserved	This field is reserved. Upon reset this value is loaded with a factory trim value.
6 CHOPEN	Chop oscillator enable. When set, internal chopping operation is enabled and the internal analog offset will be minimized. This bit is set during factory trimming of the VREF voltage. This bit should be written to 1 to achieve the performance stated in the data sheet. If the chop oscillator is to be used in very low power modes, the system (bandgap) voltage reference must also be enabled. See the chip-specific VREF information (also known as "chip configuration" details) for a description of how this can be achieved. 0 Chop oscillator is disabled. 1 Chop oscillator is enabled.
TRIM	Trim bits These bits change the resulting VREF by approximately ± 0.5 mV for each step. NOTE: Min = minimum and max = maximum voltage reference output. For minimum and maximum voltage reference output values, refer to the Data Sheet for this chip. 000000 Min 111111 Max

26.2.2 VREF Status and Control Register (VREF_SC)

This register contains the control bits used to enable the internal voltage reference and to select the buffer mode to be used.

Address: 4007_4000h base + 1h offset = 4007_4001h

Bit	7	6	5	4	3	2	1	0
Read	VREFEN	REGEN	ICOMPEN	0	0	VREFST	MODE_LV	
Write								
Reset	0	0	0	0	0	0	0	0

VREF_SC field descriptions

Field	Description
7 VREFEN	<p>Internal Voltage Reference enable</p> <p>This bit is used to enable the bandgap reference within the Voltage Reference module.</p> <p>NOTE: After the VREF is enabled, turning off the clock to the VREF module via the corresponding clock gate register will not disable the VREF. VREF must be disabled via this VREFEN bit.</p> <p>0 The module is disabled. 1 The module is enabled.</p>
6 REGEN	<p>Regulator enable</p> <p>This bit is used to enable the internal 1.75 V regulator to produce a constant internal voltage supply in order to reduce the sensitivity to external supply noise and variation. If it is desired to keep the regulator enabled in very low power modes, refer to the Chip Configuration details for a description on how this can be achieved.</p> <p>This bit should be written to 1 to achieve the performance stated in the data sheet.</p> <p>0 Internal 1.75 V regulator is disabled. 1 Internal 1.75 V regulator is enabled.</p>
5 ICOMPEN	<p>Second order curvature compensation enable</p> <p>This bit should be written to 1 to achieve the performance stated in the data sheet.</p> <p>0 Disabled 1 Enabled</p>
4 Reserved	<p>This field is reserved. This read-only field is reserved and always has the value 0.</p>
3 Reserved	<p>This field is reserved. This read-only field is reserved and always has the value 0.</p>
2 VREFST	<p>Internal Voltage Reference stable</p> <p>This bit indicates that the bandgap reference within the Voltage Reference module has completed its startup and stabilization.</p> <p>NOTE: This bit is valid only when the chop oscillator is not being used.</p>

Table continues on the next page...

VREF_SC field descriptions (continued)

Field	Description
	0 The module is disabled or not stable. 1 The module is stable.
MODE_LV	Buffer Mode selection These bits select the buffer modes for the Voltage Reference module. 00 Bandgap on only, for stabilization and startup 01 High power buffer mode enabled 10 Low-power buffer mode enabled 11 Reserved

26.3 Functional Description

The Voltage Reference is a bandgap buffer system. Unity gain amplifiers are used.

The VREF_OUT signal can be used by both internal and external peripherals in low and high power buffer mode. A 100 nF capacitor must always be connected between VREF_OUT and VSSA if the VREF is being used.

The following table shows all possible function configurations of the Voltage Reference.

Table 26-2. Voltage Reference function configurations

SC[VREFEN]	SC[MODE_LV]	Configuration	Functionality
0	X	Voltage Reference disabled	Off
1	00	Voltage Reference enabled, bandgap on only	Startup and standby
1	01	Voltage Reference enabled, high-power buffer on	VREF_OUT available for internal and external use. 100 nF capacitor is required.
1	10	Voltage Reference enabled, low power buffer on	VREF_OUT available for internal and external use. 100 nF capacitor is required.
1	11	Reserved	Reserved

26.3.1 Voltage Reference Disabled, SC[VREFEN] = 0

When SC[VREFEN] = 0, the Voltage Reference is disabled, the VREF bandgap and the output buffers are disabled. The Voltage Reference is in off mode.

26.3.2 Voltage Reference Enabled, SC[VREFEN] = 1

When SC[VREFEN] = 1, the Voltage Reference is enabled, and different modes should be set by the SC[MODE_LV] bits.

26.3.2.1 SC[MODE_LV]=00

The internal VREF bandgap is enabled to generate an accurate 1.2 V output that can be trimmed with the TRM register's TRIM[5:0] bitfield. The bandgap requires some time for startup and stabilization. SC[VREFST] can be monitored to determine if the stabilization and startup is complete when the chop oscillator is not enabled.

If the chop oscillator is being used, the internal bandgap reference voltage settles within the chop oscillator start up time, Tchop_osc_stup.

The output buffer is disabled in this mode, and there is no buffered voltage output. The Voltage Reference is in standby mode. If this mode is first selected and the low power or high power buffer mode is subsequently enabled, there will be a delay before the buffer output is settled at the final value. This is the buffer start up delay (Tstup) and the value is specified in the appropriate device data sheet.

26.3.2.2 SC[MODE_LV] = 01

The internal VREF bandgap is on. The high power buffer is enabled to generate a buffered 1.2 V voltage to VREF_OUT. It can also be used as a reference to internal analog peripherals such as an ADC channel or analog comparator input.

If this mode is entered from the standby mode (SC[MODE_LV] = 00, SC[VREFEN] = 1) there will be a delay before the buffer output is settled at the final value. This is the buffer start up delay (Tstup) and the value is specified in the appropriate device data sheet. If this mode is entered when the VREF module is enabled then you must wait the longer of Tstup or until SC[VREFST] = 1 when the chop oscillator is not enabled. If the chop oscillator is being used, you must wait the time specified by Tchop_osc_stup (chop oscillator start up time) to ensure the VREF output has stabilized.

In this mode, a 100 nF capacitor is required to connect between the VREF_OUT pin and VSSA.

26.3.2.3 SC[MODE_LV] = 10

The internal VREF bandgap is on. The low power buffer is enabled to generate a buffered 1.2 V voltage to VREF_OUT. It can also be used as a reference to internal analog peripherals such as an ADC channel or analog comparator input.

If this mode is entered from the standby mode (SC[MODE_LV] = 00, SC[VREFEN] = 1) there will be a delay before the buffer output is settled at the final value. This is the buffer start up delay (Tstup) and the value is specified in the appropriate device data sheet. If this mode is entered when the VREF module is enabled then you must wait the longer of Tstup or until SC[VREFST] = 1 when the chop oscillator is not enabled. If the chop oscillator is being used, you must wait the time specified by Tchop_osc_stup (chop oscillator start up time) to ensure the VREF output has stabilized.

In this mode, a 100 nF capacitor is required to connect between the VREF_OUT pin and VSSA.

26.3.2.4 SC[MODE_LV] = 11

Reserved

26.4 Internal voltage regulator

The VREF module contains an internal voltage regulator that can be enabled to provide additional supply noise rejection. It is recommended that when possible, this regulator be enabled to provide the optimum VREF performance.

1. Enable the chop oscillator (VREF_TRM[CHOPEN] = 1)
2. Configure the VREF_SC register to the desired settings with the internal regulator disabled, VREF_SC[REGEN] = 0
3. Wait > 300ns
4. Enable the internal regulator by setting VREF_SC[REGEN] to 1

26.5 Initialization/Application Information

The Voltage Reference requires some time for startup and stabilization. After SC[VREFEN] = 1, SC[VREFST] can be monitored to determine if the stabilization and startup is completed when the chop oscillator is not enabled. When the chop oscillator is enabled, the settling time of the internal bandgap reference is defined by Tchop_osc_stup

(chop oscillator start up time). You must wait this time ($T_{\text{chop_osc_stup}}$) after the internal bandgap has been enabled to ensure the VREF internal reference voltage has stabilized.

When the Voltage Reference is already enabled and stabilized, changing SC[MODE_LV] will not clear SC[VREFST] but there will be some startup time before the output voltage at the VREF_OUT pin has settled. This is the buffer start up delay (T_{stup}) and the value is specified in the appropriate device data sheet. Also, there will be some settling time when a step change of the load current is applied to the VREF_OUT pin. When the 1.75V VREF regulator is disabled, the VREF_OUT voltage will be more sensitive to supply voltage variation. It is recommended to use this regulator to achieve optimum VREF_OUT performance.

The TRM[CHOPEN], SC[REGEN] and SC[ICOMPEN] bits must be written to 1 to achieve the performance stated in the device data sheet.

Chapter 27

Multipurpose Clock Generator Lite (MCG_Lite)

27.1 Introduction

The Multipurpose Clock Generator Lite (MCG_Lite) module provides several clock source options for the MCU. This module contains one 48 MHz and one 8/2 MHz Internal Reference Clock (IRC) sources. The module selects one of IRCs or External Oscillator/Clock (EXT) as the MCU clock sources. It also provides USB recovery interface for the 48 MHz IRC.

27.1.1 Features

The MCG_Lite module has the following features:

- High-frequency Internal Reference Clock (HIRC)
 - 48 MHz clock source
 - Support various trims to achieve target accuracy
 - Support USB recovery feature
- Low-frequency Internal Reference Clock (LIRC)
 - Selectable 8 MHz or 2 MHz clock source
 - Trim bit to ensure $\pm 3\%$ accuracy across PVT
- Glitchless clock switcher for internal clock sources (HIRC and LIRC) and external clock source (EXT)
- Dedicated high frequency clock sources output (MCGPCLK) for peripheral use
- Dedicated low frequency clock sources output (LIRC_CLK) for peripheral use
- Divider/prescaler (FCRDIV) for low frequency IRC to support /1, /2, /4, /8, /16, /32, /64, and /128 division factors
- Second divider (LIRC_DIV2) to support /1, /2, /4, /8, /16, /32, /64, and /128 division factors
- Control signal for the external clock/oscillator (EXT)
 - EREFS0, HGO0, RANGE0
 - External clock from crystal oscillator can be used as system clock sources

27.1.2 Block diagram

The block diagram of MCG_Lite is as follows.

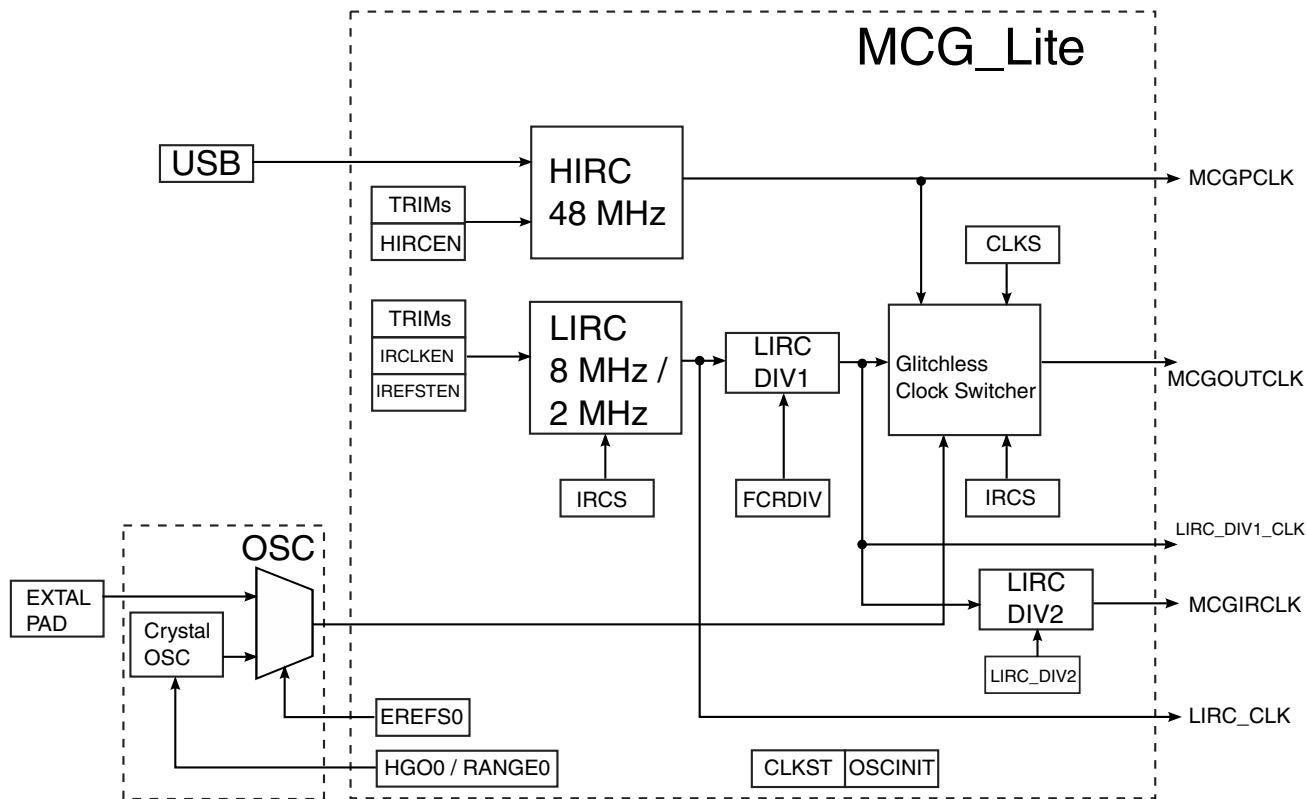


Figure 27-1. MCG_Lite block diagram

27.2 Memory map and register definition

The MCG_Lite module contains several fields for selecting the clock source and the dividers for various module clocks.

NOTE

The MCG_Lite registers can be written only in supervisor mode. Write accesses in user mode are blocked and will result in a bus error.

MCG memory map

Absolute address (hex)	Register name	Width (in bits)	Access	Reset value	Section/page
4006_4000	MCG Control Register 1 (MCG_C1)	8	R/W	40h	27.2.1/449
4006_4001	MCG Control Register 2 (MCG_C2)	8	R/W	01h	27.2.2/450
4006_4006	MCG Status Register (MCG_S)	8	R	04h	27.2.3/451
4006_4008	MCG Status and Control Register (MCG_SC)	8	R/W	00h	27.2.4/451
4006_4018	MCG Miscellaneous Control Register (MCG_MC)	8	R/W	00h	27.2.5/452

27.2.1 MCG Control Register 1 (MCG_C1)

Address: 4006_4000h base + 0h offset = 4006_4000h

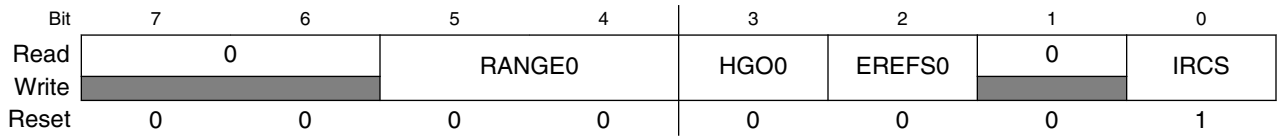
Bit	7	6	5	4	3	2	1	0
Read	CLKS		0				IRCLKEN	IREFSTEN
Write								
Reset	0	1	0	0	0	0	0	0

MCG_C1 field descriptions

Field	Description
7–6 CLKS	<p>Clock Source Select</p> <p>Selects the clock source for MCGOUTCLK.</p> <p>00 Selects HIRC clock as the main clock source. This is HIRC mode. 01 Selects LIRC clock as the main clock source. This is LIRC2M or LIRC8M mode. 10 Selects external clock as the main clock source. This is EXT mode. 11 Reserved. Writing 11 takes no effect.</p>
5–2 Reserved	<p>This field is reserved.</p> <p>This read-only field is reserved and always has the value 0.</p>
1 IRCLKEN	<p>Internal Reference Clock Enable</p> <p>Enables the IRC source.</p> <p>0 LIRC is disabled. 1 LIRC is enabled.</p>
0 IREFSTEN	<p>Internal Reference Stop Enable</p> <p>Controls whether the IRC source remains enabled when the MCG_Lite enters Stop mode.</p> <p>0 LIRC is disabled in Stop mode. 1 LIRC is enabled in Stop mode, if IRCLKEN is set.</p>

27.2.2 MCG Control Register 2 (MCG_C2)

Address: 4006_4000h base + 1h offset = 4006_4001h



MCG_C2 field descriptions

Field	Description
7–6 Reserved	This field is reserved. This read-only field is reserved and always has the value 0.
5–4 RANGE0	External Clock Source Frequency Range Select Selects the frequency for the crystal oscillator or the external clock source. See the Oscillator (OSC) chapter for more details and refer to the chip datasheet for the frequency ranges used. 00 Low frequency range selected for the crystal oscillator or the external clock source. 01 High frequency range selected for the crystal oscillator or the external clock source. 10 Very high frequency range selected for the crystal oscillator or the external clock source. 11 Very high frequency range selected for the crystal oscillator or the external clock source. Same effect as 10.
3 HGO0	Crystal Oscillator Operation Mode Select Selects the crystal oscillator mode of operation. See the Oscillator (OSC) chapter for more details. 0 Configure crystal oscillator for low-power operation. 1 Configure crystal oscillator for high-gain operation.
2 EREFS0	External Clock Source Select Selects the source for the external reference clock. See the Oscillator (OSC) chapter for more details. 0 External clock requested. 1 Oscillator requested.
1 Reserved	This field is reserved. This read-only field is reserved and always has the value 0.
0 IRCS	Low-frequency Internal Reference Clock Select Controls the LIRC to work at 2 MHz or 8 MHz mode. 0 LIRC is in 2 MHz mode. 1 LIRC is in 8 MHz mode.

27.2.3 MCG Status Register (MCG_S)

Address: 4006_4000h base + 6h offset = 4006_4006h

Bit	7	6	5	4	3	2	1	0
Read	0				CLKST		OSCINIT0	0
Write								
Reset	0	0	0	0	0	1	0	0

MCG_S field descriptions

Field	Description
7–4 Reserved	This field is reserved. This read-only field is reserved and always has the value 0.
3–2 CLKST	Clock Mode Status Indicates the current clock mode. This field does not update immediately after a write to MCG_C1[CLKS] due to internal synchronization between clock domains. 00 HIRC clock is selected as the main clock source, and MCG_Lite works at HIRC mode. 01 LIRC clock is selected as the main clock source, and MCG_Lite works at LIRC2M or LIRC8M mode. 10 External clock is selected as the main clock source, and MCG_Lite works at EXT mode. 11 Reserved.
1 OSCINIT0	OSC Initialization Status This flag, which resets to 0, is set to 1 after the initialization cycles of the crystal oscillator clock are completed. After being set, the bit is cleared to 0 if the OSC is subsequently disabled. See the Oscillator (OSC) chapter for more information. 0 OSC is not ready. 1 OSC clock is ready.
0 Reserved	This field is reserved. This read-only field is reserved and always has the value 0.

27.2.4 MCG Status and Control Register (MCG_SC)

Address: 4006_4000h base + 8h offset = 4006_4008h

Bit	7	6	5	4	3	2	1	0	
Read	0				FCRDIV				0
Write									
Reset	0	0	0	0	0	0	0	0	

MCG_SC field descriptions

Field	Description
7–4 Reserved	This field is reserved. This read-only field is reserved and always has the value 0.

Table continues on the next page...

MCG_SC field descriptions (continued)

Field	Description
3-1 FCRDIV	Low-frequency Internal Reference Clock Divider Selects the factor value to divide the LIRC source. 000 Division factor is 1. 001 Division factor is 2. 010 Division factor is 4. 011 Division factor is 8. 100 Division factor is 16. 101 Division factor is 32. 110 Division factor is 64. 111 Division factor is 128.
0 Reserved	This field is reserved. This read-only field is reserved and always has the value 0.

27.2.5 MCG Miscellaneous Control Register (MCG_MC)

Address: 4006_4000h base + 18h offset = 4006_4018h



MCG_MC field descriptions

Field	Description
7 HIRCEN	High-frequency IRC Enable Enables the HIRC, even when MCG_Lite is not working at HIRC mode. 0 HIRC source is not enabled. 1 HIRC source is enabled.
6-3 Reserved	This field is reserved. This read-only field is reserved and always has the value 0.
LIRC_DIV2	Second Low-frequency Internal Reference Clock Divider Selects the factor value to further divide the LIRC source. 000 Division factor is 1. 001 Division factor is 2. 010 Division factor is 4. 011 Division factor is 8. 100 Division factor is 16. 101 Division factor is 32. 110 Division factor is 64. 111 Division factor is 128.

27.3 Functional description

This section presents the functional details of the MCG_Lite module.

27.3.1 Clock mode switching

Different states of the MCG_Lite module are shown in the following figure. The arrows indicate the permitted MCG_Lite mode transitions.

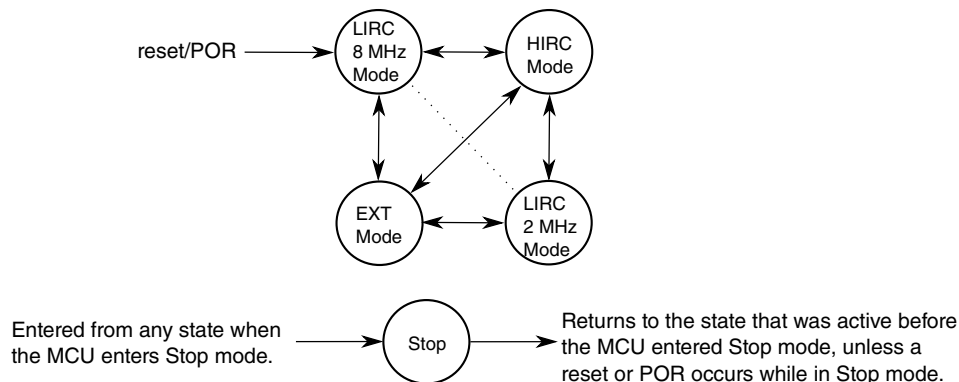


Figure 27-2. MCG_Lite mode state diagram

The MCG_Lite module does not support switch between LIRC 2 MHz and 8 MHz directly, because 2 MHz and 8 MHz clock generators share circuits and logics. To switch between each other, the module must be in HIRC or EXT clock mode.

If entering VLPR mode, MCG_Lite has to be configured and enter LIRC2M, LIRC8M or EXT mode, and MCG_MC[HIRCEN] must also be cleared. After it enters VLPR mode, writes to any of the MCG control registers that can cause an MCG clock mode switch to a non-Low-power clock mode must be avoided.

When power on or out of reset, LIRC is selected as the main clock source. To select other clock sources, the user must perform the following steps.

To enter HIRC mode:

1. Write 1b to MCG_MC[HIRCEN] to enable HIRC (optional).
2. Write 00b to MCG_C1[CLKS] to select HIRC clock source.
3. Check MCG_S[CLKST] to confirm HIRC clock source is selected.

To enter EXT mode:

1. Configure MCG_C2[EREFS0] for external clock source selection.
2. Write 10b to MCG_C1[CLKS] to select external clock source.
3. Check MCG_S[CLKST] to confirm external clock source is selected.

To enter LIRC2M mode from HIRC or EXT mode:

1. Write 0b to MCG_C2[IRCS] to select LIRC 2M.
2. Write 1b to MCG_C1[IRCLKEN] to enable LIRC clock (optional).
3. Write 01b to MCG_C1[CLKS] to select LIRC clock source.
4. Check MCG_S[CLKST] to confirm LIRC clock source is selected.

To enter LIRC8M mode from HIRC or EXT mode:

1. Write 1b to MCG_C2[IRCS] to select LIRC 8M.
2. Write 1b to MCG_C1[IRCLKEN] to enable LIRC clock (optional).
3. Write 01b to MCG_C1[CLKS] to select LIRC clock source.
4. Check MCG_S[CLKST] to confirm LIRC clock source is selected.

27.3.2 LIRC divider 1

In the MCG_Lite module, there is a divider for LIRC clock. The divider supports /1, /2, /4, /8, /16, /32, /64, and /128 division factors. For details, see the register field description of [MCG_SC\[FCRDIV\]](#). The divided clock of LIRC DIV1 is one of the inputs of clock select switch. It is the input for the 2nd LIRC DIV as well. See the Chip Configuration information for more details.

27.3.3 LIRC divider 2

In the MCG_Lite module, there is another divider to further divide the LIRC clock, named LIRC DIV2. This divider supports /1, /2, /4, /8, /16, /32, /64, and /128 division factors. For details, see the register field description of [MCG_MC\[LIRC_DIV2\]](#). The divided clock of LIRC DIV2 is MCGIRCLK, and it can be used as peripheral clock. See the Chip Configuration information for more details.

27.3.4 Enable LIRC in Stop mode

In Stop mode, HIRC is disabled to save power. For LIRC, by default it is disabled as well. To enable LIRC in Stop mode, write 1b to MCG_C1[IREFSTEN] and MCG_C1[IRCLKEN] before entering Stop mode.

27.3.5 MCG-Lite in Low-power mode

In Stop/VLPS mode, MCG-Lite is inactive, HIRC is disabled, and LIRC is disabled except that both MCG_C1[IREFSTEN] and MCG_C1[IRCLKEN] are set before entering the Stop/VLPS mode.

In LLS/VLLS mode, MCG-Lite is power down.

In VLPR/VLPW mode, MCG-Lite is in Low-power mode, HIRC is disabled, while LIRC can keep working.

27.3.6 HIRC USB recovery

This module allows the 48 MHz IRC to work with full-speed USB. IRC 48 MHz accuracy is $\pm 1.5\%$ after factory trim. The USB module monitors the accuracy of the nominal 48 MHz clock and adjusts the “Fine Trim” based on the default Fine Trim value input, which is a starting IFR value.

NOTE

This is capable only when USB is working in the full-speed device mode. For low-speed device mode, software must disable USB_CLK_RECOVERY and use the factory trim IRC clk48 directly, because the factory trim IRC clk48 can meet the low-speed device requirement.

Chapter 28

Oscillator (OSC)

28.1 Chip-specific OSC information

28.1.1 OSC modes of operation with MCG_Lite and RTC

The most common method of controlling the OSC block is through MCG_C1[CLKS] and the fields of MCG_C2 register to configure for crystal or external clock operation. OSC_CR also provides control for enabling the OSC module and configuring internal load capacitors for the EXTAL and XTAL pins. See the [OSC](#) and [MCG_Lite](#) chapters for more details.

RTC_CR[OSCE] has overriding control over the MCG_Lite and OSC_CR enable functions. When RTC_CR[OSCE] is set, the OSC is configured for low frequency, low power and RTC_CR[SCxP] override OSC_CR[SCxP] to control the internal capacitance configuration. See the RTC chapter for more details.

28.2 Introduction

The OSC module is a crystal oscillator. The module, in conjunction with an external crystal or resonator, generates a reference clock for the MCU.

28.3 Features and Modes

Key features of the module are listed here.

- Supports 32 kHz crystals (Low Range mode)
- Supports 3–8 MHz, 8–32 MHz crystals and resonators (High Range mode)

Block Diagram

- Automatic Gain Control (AGC) to optimize power consumption in high frequency ranges 3–8 MHz, 8–32 MHz using low-power mode
- High gain option in frequency ranges: 32 kHz, 3–8 MHz, and 8–32 MHz
- Voltage and frequency filtering to guarantee clock frequency and stability
- Optionally external input bypass clock from EXTAL signal directly
- One clock for MCU clock system
- Two clocks for on-chip peripherals that can work in Stop modes

[Functional Description](#) describes the module's operation in more detail.

28.4 Block Diagram

The OSC module uses a crystal or resonator to generate three filtered oscillator clock signals. Three clocks are output from OSC module: OSCCLK for MCU system, OSCERCLK for on-chip peripherals, and OSC32KCLK. The OSCCLK can only work in run mode. OSCERCLK and OSC32KCLK can work in low power modes. For the clock source assignments, refer to the clock distribution information of this MCU.

Refer to the chip configuration details for the external reference clock source in this MCU.

The figure found here shows the block diagram of the OSC module.

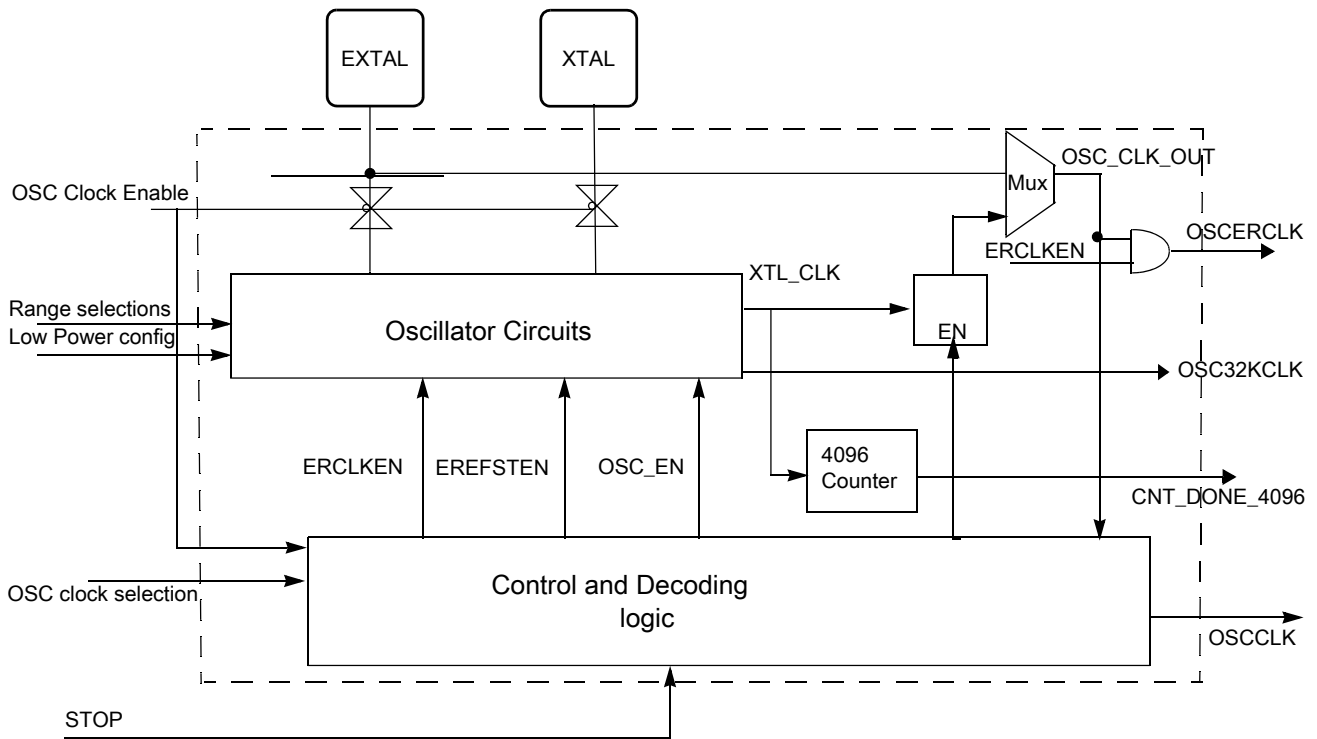


Figure 28-1. OSC Module Block Diagram

28.5 OSC Signal Descriptions

The table found here shows the user-accessible signals available for the OSC module. Refer to signal multiplexing information for this MCU for more details.

Table 28-1. OSC Signal Descriptions

Signal	Description	I/O
EXTAL	External clock/Oscillator input	I
XTAL	Oscillator output	O

28.6 External Crystal / Resonator Connections

The connections for a crystal/resonator frequency reference are shown in the figures found here.

When using low-frequency, low-power mode, the only external component is the crystal or ceramic resonator itself. In the other oscillator modes, load capacitors (C_x , C_y) and feedback resistor (R_F) are required. The following table shows all possible connections.

Table 28-2. External Caystal/Resonator Connections

Oscillator Mode	Connections
Low-frequency (32 kHz), low-power	Connection 1 ¹
Low-frequency (32 kHz), high-gain	Connection 2/Connection 3 ²
High-frequency (3~32 MHz), low-power	Connection 3 ¹
High-frequency (3~32 MHz), high-gain	Connection 3

1. With the low-power mode, the oscillator has the internal feedback resistor R_F . Therefore, the feedback resistor must not be externally with the Connection 3.
2. When the load capacitors (C_x , C_y) are greater than 30 pF, use Connection 3.

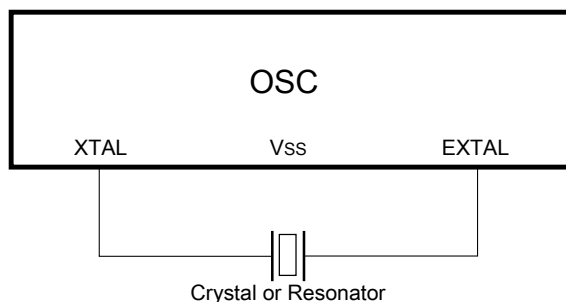


Figure 28-2. Crystal/Ceramic Resonator Connections - Connection 1

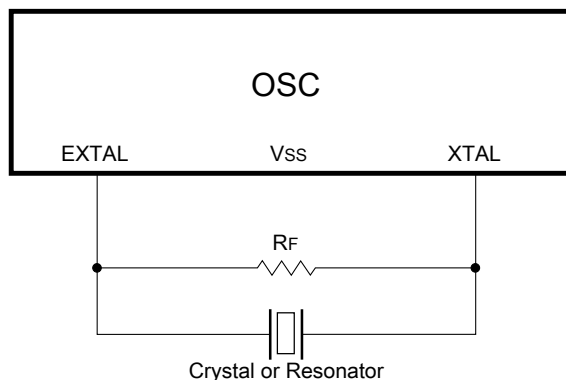


Figure 28-3. Crystal/Ceramic Resonator Connections - Connection 2

NOTE

Connection 1 and Connection 2 should use internal capacitors as the load of the oscillator by configuring the CR[SCxP] bits.

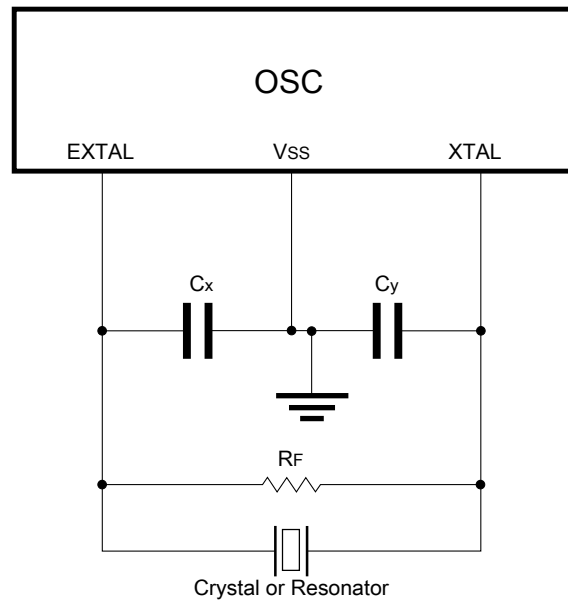


Figure 28-4. Crystal/Ceramic Resonator Connections - Connection 3

28.7 External Clock Connections

In external clock mode, the pins can be connected as shown in the figure found here.

NOTE

XTAL can be used as a GPIO when the GPIO alternate function is configured for it.

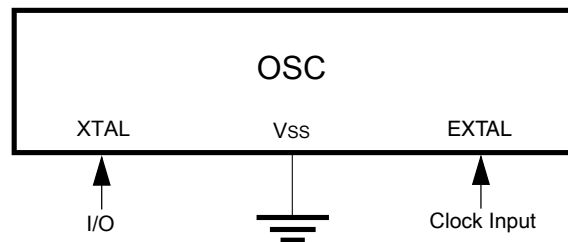


Figure 28-5. External Clock Connections

28.8 Memory Map/Register Definitions

Some oscillator module register bits are typically incorporated into other peripherals such as MCG or SIM.

28.8.1 OSC Memory Map/Register Definition

OSC memory map

Absolute address (hex)	Register name	Width (in bits)	Access	Reset value	Section/ page
4006_5000	OSC Control Register (OSC0_CR)	8	R/W	00h	28.8.1.1/462

28.8.1.1 OSC Control Register (OSCx_CR)

NOTE

After OSC is enabled and starts generating the clocks, the configurations such as low power and frequency range, must not be changed.

Address: 4006_5000h base + 0h offset = 4006_5000h

Bit	7	6	5	4	3	2	1	0
Read	ERCLKEN	0	EREFSTEN	0	SC2P	SC4P	SC8P	SC16P
Write								
Reset	0	0	0	0	0	0	0	0

OSCx_CR field descriptions

Field	Description
7 ERCLKEN	External Reference Enable Enables external reference clock (OSCERCLK) . 0 External reference clock is inactive. 1 External reference clock is enabled.
6 Reserved	This field is reserved. This read-only field is reserved and always has the value 0.
5 EREFSTEN	External Reference Stop Enable Controls whether or not the external reference clock (OSCERCLK) remains enabled when MCU enters Stop mode. 0 External reference clock is disabled in Stop mode. 1 External reference clock stays enabled in Stop mode if ERCLKEN is set before entering Stop mode.
4 Reserved	This field is reserved. This read-only field is reserved and always has the value 0.
3 SC2P	Oscillator 2 pF Capacitor Load Configure

Table continues on the next page...

OSCx_CR field descriptions (continued)

Field	Description
	Configures the oscillator load. 0 Disable the selection. 1 Add 2 pF capacitor to the oscillator load.
2 SC4P	Oscillator 4 pF Capacitor Load Configure Configures the oscillator load. 0 Disable the selection. 1 Add 4 pF capacitor to the oscillator load.
1 SC8P	Oscillator 8 pF Capacitor Load Configure Configures the oscillator load. 0 Disable the selection. 1 Add 8 pF capacitor to the oscillator load.
0 SC16P	Oscillator 16 pF Capacitor Load Configure Configures the oscillator load. 0 Disable the selection. 1 Add 16 pF capacitor to the oscillator load.

28.9 Functional Description

Functional details of the module can be found here.

28.9.1 OSC module states

The states of the OSC module are shown in the following figure. The states and their transitions between each other are described in this section.

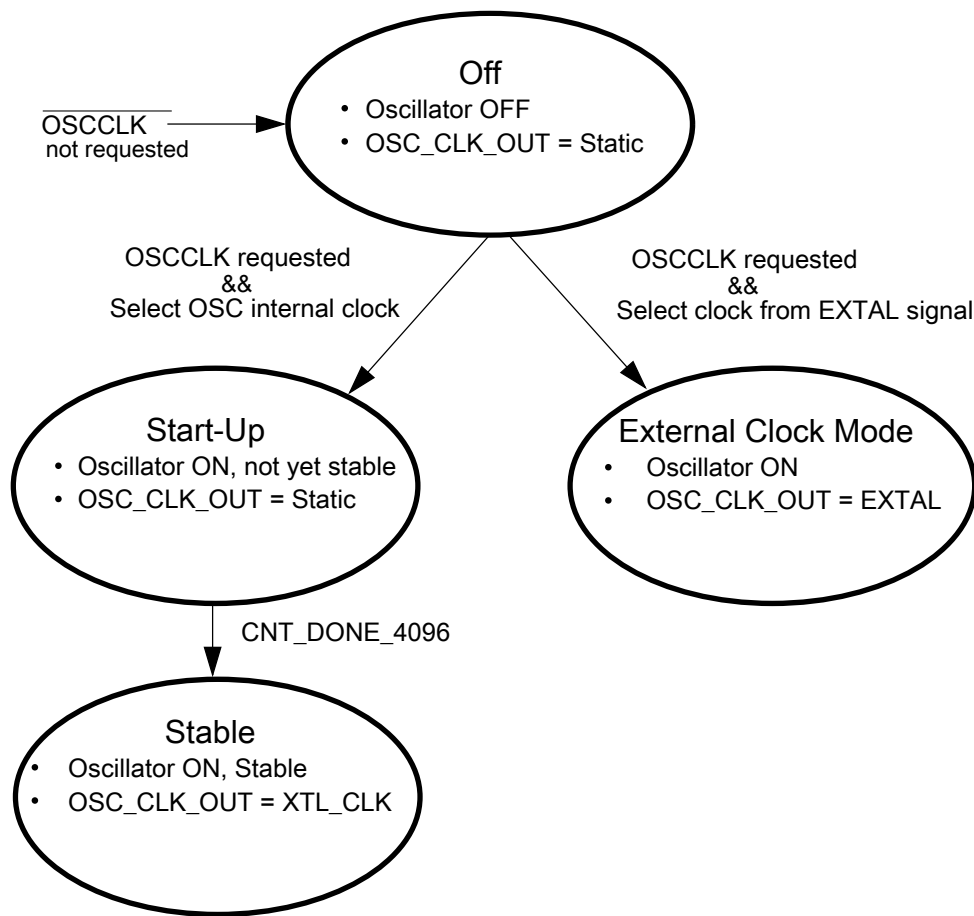


Figure 28-6. OSC Module state diagram

NOTE

XTL_CLK is the clock generated internally from OSC circuits.

28.9.1.1 Off

The OSC enters the Off state when the system does not require OSC clocks. Upon entering this state, XTL_CLK is static unless OSC is configured to select the clock from the EXTAL pad by clearing the external reference clock selection bit. For details regarding the external reference clock source in this MCU, refer to the chip configuration details. The EXTAL and XTAL pins are also decoupled from all other oscillator circuitry in this state. The OSC module circuitry is configured to draw minimal current.

28.9.1.2 Oscillator startup

The OSC enters startup state when it is configured to generate clocks (internally the OSC_EN transitions high) using the internal oscillator circuits by setting the external reference clock selection bit. In this state, the OSC module is enabled and oscillations are starting up, but have not yet stabilized. When the oscillation amplitude becomes large enough to pass through the input buffer, XTL_CLK begins clocking the counter. When the counter reaches 4096 cycles of XTL_CLK, the oscillator is considered stable and XTL_CLK is passed to the output clock OSC_CLK_OUT.

28.9.1.3 Oscillator Stable

The OSC enters stable state when it is configured to generate clocks (internally the OSC_EN transitions high) using the internal oscillator circuits by setting the external reference clock selection bit and the counter reaches 4096 cycles of XTL_CLK (when CNT_DONE_4096 is high). In this state, the OSC module is producing a stable output clock on OSC_CLK_OUT. Its frequency is determined by the external components being used.

28.9.1.4 External Clock mode

The OSC enters external clock state when it is enabled and external reference clock selection bit is cleared. For details regarding external reference clock source in this MCU, see the chip configuration details. In this state, the OSC module is set to buffer (with hysteresis) a clock from EXTAL onto the OSC_CLK_OUT. Its frequency is determined by the external clock being supplied.

28.9.2 OSC module modes

The OSC is a pierce-type oscillator that supports external crystals or resonators operating over the frequency ranges shown in [Table 28-3](#). These modes assume the following conditions: OSC is enabled to generate clocks (OSC_EN=1), configured to generate clocks internally (MCG_C2[EREFS] = 1), and some or one of the other peripherals (MCG, Timer, and so on) is configured to use the oscillator output clock (OSC_CLK_OUT).

Table 28-3. Oscillator modes

Mode	Frequency Range
Low-frequency, high-gain	f_{osc_lo} (32.768 kHz) up to f_{osc_lo} (39.0625 kHz)

Table continues on the next page...

Table 28-3. Oscillator modes (continued)

Mode	Frequency Range
High-frequency mode1, high-gain	$f_{\text{osc_hi_1}}$ (3 MHz) up to $f_{\text{osc_hi_1}}$ (8 MHz)
High-frequency mode1, low-power	
High-frequency mode2, high-gain	$f_{\text{osc_hi_2}}$ (8 MHz) up to $f_{\text{osc_hi_2}}$ (32 MHz)
High-frequency mode2, low-power	

NOTE

For information about low power modes of operation used in this chip and their alignment with some OSC modes, see the chip's Power Management details.

28.9.2.1 Low-Frequency, High-Gain Mode

In Low-frequency, high-gain mode, the oscillator uses a simple inverter-style amplifier. The gain is set to achieve rail-to-rail oscillation amplitudes.

The oscillator input buffer in this mode is single-ended. It provides low pass frequency filtering as well as hysteresis for voltage filtering and converts the output to logic levels. In this mode, the internal capacitors could be used.

28.9.2.2 Low-Frequency, Low-Power Mode

In low-frequency, low-power mode, the oscillator uses a gain control loop to minimize power consumption. As the oscillation amplitude increases, the amplifier current is reduced. This continues until a desired amplitude is achieved at steady-state. This mode provides low pass frequency filtering as well as hysteresis for voltage filtering and converts the output to logic levels. In this mode, the internal capacitors could be used, the internal feedback resistor is connected, and no external resistor should be used.

In this mode, the amplifier inputs, gain-control input, and input buffer input are all capacitively coupled for leakage tolerance (not sensitive to the DC level of EXTAL).

Also in this mode, all external components except for the resonator itself are integrated, which includes the load capacitors and feedback resistor that biases EXTAL.

28.9.2.3 High-Frequency, High-Gain Mode

In high-frequency, high-gain mode, the oscillator uses a simple inverter-style amplifier. The gain is set to achieve rail-to-rail oscillation amplitudes. This mode provides low pass frequency filtering as well as hysteresis for voltage filtering and converts the output to logic levels.

28.9.2.4 High-Frequency, Low-Power Mode

In high-frequency, low-power mode, the oscillator uses a gain control loop to minimize power consumption. As the oscillation amplitude increases, the amplifier current is reduced. This continues until a desired amplitude is achieved at steady-state. In this mode, no external resistor should be used.

The oscillator input buffer in this mode is differential. It provides low pass frequency filtering as well as hysteresis for voltage filtering and converts the output to logic levels.

28.9.3 Counter

The oscillator output clock (OSC_CLK_OUT) is gated off until the counter has detected 4096 cycles of its input clock (XTL_CLK). After 4096 cycles are completed, the counter passes XTL_CLK onto OSC_CLK_OUT. This counting timeout is used to guarantee output clock stability.

28.9.4 Reference clock pin requirements

The OSC module requires use of both the EXTAL and XTAL pins to generate an output clock in Oscillator mode, but requires only the EXTAL pin in External clock mode. The EXTAL and XTAL pins are available for I/O. For the implementation of these pins on this device, refer to the Signal Multiplexing chapter.

28.10 Reset

There is no reset state associated with the OSC module. The counter logic is reset when the OSC is not configured to generate clocks.

There are no sources of reset requests for the OSC module.

28.11 Low power modes operation

When the MCU enters Stop modes, the OSC is functional depending on CR[ERCLKEN] and CR[EREFSETN] bit settings. If both these bits are set, the OSC is in operation.

In Low Leakage Stop (LLS) modes, the OSC holds all register settings. If CR[ERCLKEN] and CR[EREFSTEN] are set before entry to Low Leakage Stop modes, the OSC is still functional in these modes. After waking up from Very Low Leakage Stop (VLLSx) modes, all OSC register bits are reset and initialization is required through software.

28.12 Interrupts

The OSC module does not generate any interrupts.

Chapter 29

Timer/PWM Module (TPM)

29.1 Chip-specific TPM information

The following registers are not available in this device:

Table 29-1. TPM register

Absolute address	Register	Instance
4003_901C	Channel (n) Status and Control (TPM1_C2SC)	TPM1
4003_9020	Channel (n) Value (TPM1_C2V)	TPM1
4003_9024	Channel (n) Status and Control (TPM1_C3SC)	TPM1
4003_9028	Channel (n) Value (TPM1_C3V)	TPM1
4003_902C	Channel (n) Status and Control (TPM1_C4SC)	TPM1
4003_9030	Channel (n) Value (TPM1_C4V)	TPM1
4003_9034	Channel (n) Status and Control (TPM1_C5SC)	TPM1
4003_9038	Channel (n) Value (TPM1_C5V)	TPM1
4003_A01C	Channel (n) Status and Control (TPM2_C2SC)	TPM2
4003_A020	Channel (n) Value (TPM2_C2V)	TPM2
4003_A024	Channel (n) Status and Control (TPM2_C3SC)	TPM2
4003_A028	Channel (n) Value (TPM2_C3V)	TPM2
4003_A02C	Channel (n) Status and Control (TPM2_C4SC)	TPM2
4003_A030	Channel (n) Value (TPM2_C4V)	TPM2
4003_A034	Channel (n) Status and Control (TPM2_C5SC)	TPM2
4003_A038	Channel (n) Value (TPM2_C5V)	TPM2

29.1.1 TPM instantiation information

This device contains three low power TPM modules (TPM). All TPM modules in the device are configured only as basic TPM function, do not support quadrature decoder function, and all can be functional in Stop/VLPS mode. The clock source is either external or internal in Stop/VLPS mode.

The following table shows how these modules are configured.

Table 29-2. TPM configuration

TPM instance	Number of channels	Features/usage
TPM0	6	Basic TPM, functional in Stop/VLPS mode
TPM1	2	Basic TPM, functional in Stop/VLPS mode
TPM2	2	Basic TPM, functional in Stop/VLPS mode

There are several connections to and from the TPMs in order to facilitate customer use cases. For complete details on the TPM module interconnects please refer to the [Module-to-Module section](#).

29.1.2 Clock options

The TPM blocks are clocked from a single TPM clock that can be selected from OSCERCLK, MCGIRCLK, or MCGPCLK. The selected source is controlled by SIM_SOPT2[TPMSRC] .

Each TPM also supports an external clock mode (TPM_SC[CMOD]=1x) in which the counter increments after a synchronized (to the selected TPM clock source) rising edge detect of an external clock input. The available external clock (either TPM_CLKIN0 or TPM_CLKIN1) is selected by SIM_SOPT4[TPMxCLKSEL] control register. To guarantee valid operation the selected external clock must be less than half the frequency of the selected TPM clock source.

29.1.3 Trigger options

Each TPM has a selectable external trigger input source controlled by TPM_x_CONF[TRGSEL] to use for starting the counter and/or reloading the counter. The options available are shown in the following table.

Table 29-3. TPM external trigger options

TPM _x _CONF[TRGSEL]	Selected source
0000	External trigger pin input (EXTRG_IN)
0001	CMP0 output
0010	Reserved
0011	Reserved
0100	PIT trigger 0
0101	PIT trigger 1
0110	Reserved
0111	Reserved
1000	TPM0 overflow
1001	TPM1 overflow
1010	TPM2 overflow
1011	Reserved
1100	RTC alarm
1101	RTC seconds
1110	LPTMR trigger
1111	Reserved

29.1.4 Global timebase

Each TPM has a global timebase feature controlled by TPM_x_CONF[GTBEEN]. TPM1 is configured as the global time when this option is enabled.

29.1.5 TPM interrupts

The TPM has multiple sources of interrupt. However, these sources are OR'd together to generate a single interrupt request to the interrupt controller. When an TPM interrupt occurs, read the TPM status registers to determine the exact interrupt source.

29.2 Introduction

The TPM (Timer/PWM Module) is a 2- to 8-channel timer which supports input capture, output compare, and the generation of PWM signals to control electric motor and power management applications.

The counter, compare and capture registers are clocked by an asynchronous clock that can remain enabled in low power modes. An example of using the TPM with the asynchronous DMA is described in [AN4631:Using the Asynchronous DMA features of the Kinetis L Series](#) .

29.2.1 TPM Philosophy

The TPM is built upon a very simple timer (HCS08 Timer PWM Module – TPM) used for many years on NXP's 8-bit microcontrollers. The TPM extends the functionality to support operation in low power modes by clocking the counter, compare and capture registers from an asynchronous clock that can remain functional in low power modes.

29.2.2 Features

The TPM features include:

- TPM clock mode is selectable
 - Can increment on every edge of the asynchronous counter clock
 - Can increment on rising edge of an external clock input synchronized to the asynchronous counter clock
- Prescaler divide-by 1, 2, 4, 8, 16, 32, 64, or 128
- TPM includes a 16-bit counter
 - It can be a free-running counter or modulo counter
 - The counting can be up or up-down
- Includes 6 channels that can be configured for input capture, output compare, edge-aligned PWM mode, or center-aligned PWM mode
 - In input capture mode the capture can occur on rising edges, falling edges or both edges

- In output compare mode the output signal can be set, cleared, pulsed, or toggled on match
- All channels can be configured for edge-aligned PWM mode or center-aligned PWM mode
- Support the generation of an interrupt and/or DMA request per channel
- Support the generation of an interrupt and/or DMA request when the counter overflows
- Support selectable trigger input to optionally reset or cause the counter to start incrementing.
 - The counter can also optionally stop incrementing on counter overflow
- Support the generation of hardware triggers when the counter overflows and per channel

29.2.3 Modes of operation

During debug mode, the TPM can be configured to temporarily pause all counting until the core returns to normal user operating mode or to operate normally. When the counter is paused, trigger inputs and input capture events are ignored.

During doze mode, the TPM can be configured to operate normally or to pause all counting for the duration of doze mode. When the counter is paused, trigger inputs and input capture events are ignored.

During stop mode, the TPM counter clock can remain functional and the TPM can generate an asynchronous interrupt to exit the MCU from stop mode.

29.2.4 Block diagram

The TPM uses one input/output (I/O) pin per channel, CH_n (TPM channel (n)) where n is the channel number.

The following figure shows the TPM structure. The central component of the TPM is the 16-bit counter with programmable final value and its counting can be up or up-down.

TPM Signal Descriptions

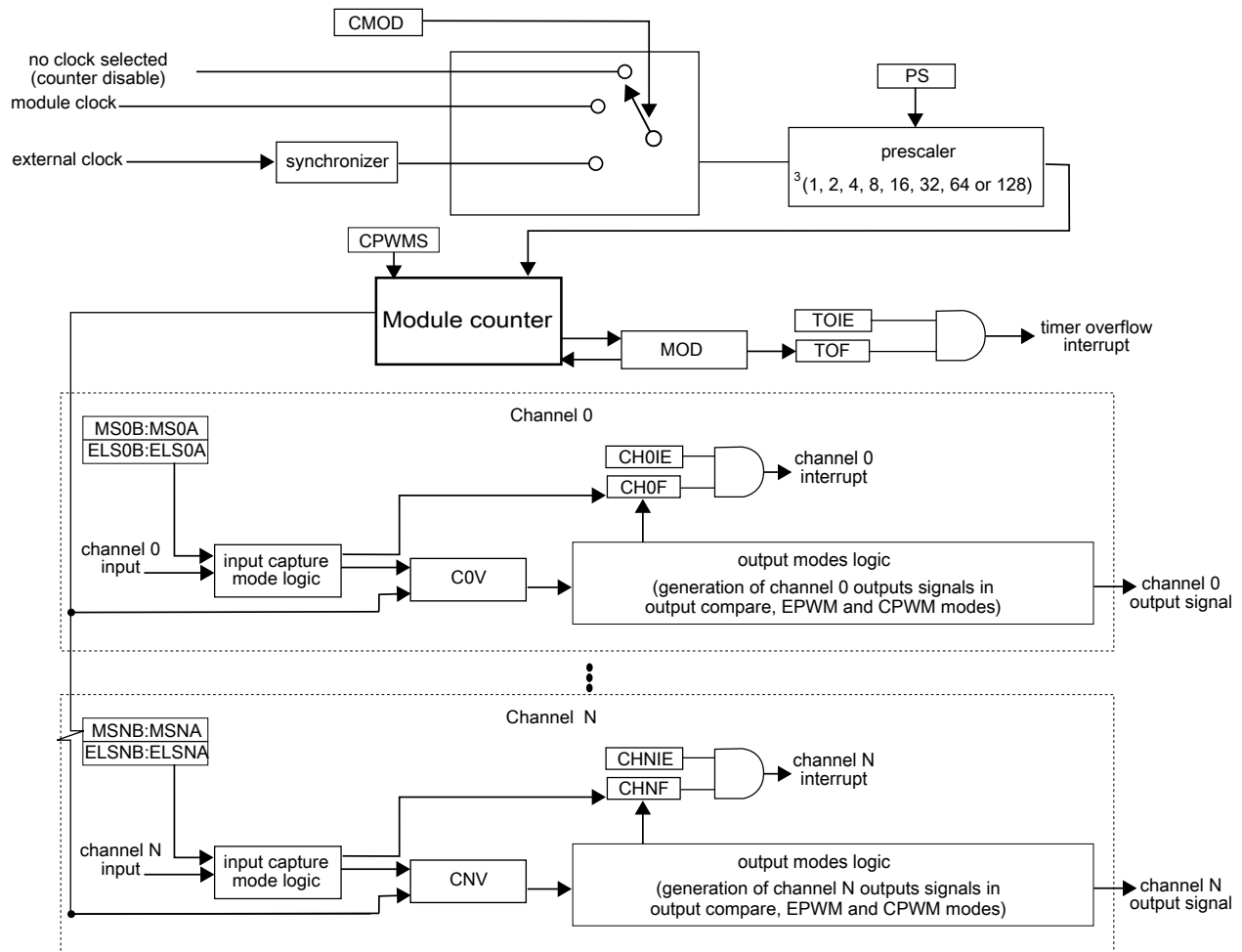


Figure 29-1. TPM block diagram

29.3 TPM Signal Descriptions

Table 29-4. TPM signal descriptions

Signal	Description	I/O
TPM_EXTCLK	External clock. TPM external clock can be selected to increment the TPM counter on every rising edge synchronized to the counter clock.	I
TPM_CHn	TPM channel (n = 5 to 0). A TPM channel pin is configured as output when configured in an output compare or PWM mode and the TPM counter is enabled, otherwise the TPM channel pin is an input.	I/O

29.3.1 TPM_EXTCLK — TPM External Clock

The rising edge of the external input signal is used to increment the TPM counter if selected by CMOD[1:0] bits in the SC register. This input signal must be less than half of the TPM counter clock frequency. The TPM counter prescaler selection and settings are also used when an external input is selected.

29.3.2 TPM_CHn — TPM Channel (n) I/O Pin

Each TPM channel can be configured to operate either as input or output. The direction associated with each channel, input or output, is selected according to the mode assigned for that channel.

29.4 Memory Map and Register Definition

This section provides a detailed description of all TPM registers.

Attempting to access a reserved register location in the TPM memory map will generate a bus error.

TPM memory map

Absolute address (hex)	Register name	Width (in bits)	Access	Reset value	Section/page
4003_8000	Status and Control (TPM0_SC)	32	R/W	0000_0000h	29.4.1/477
4003_8004	Counter (TPM0_CNT)	32	R/W	0000_0000h	29.4.2/478
4003_8008	Modulo (TPM0_MOD)	32	R/W	0000_FFFFh	29.4.3/479
4003_800C	Channel (n) Status and Control (TPM0_C0SC)	32	R/W	0000_0000h	29.4.4/480
4003_8010	Channel (n) Value (TPM0_C0V)	32	R/W	0000_0000h	29.4.5/482
4003_8014	Channel (n) Status and Control (TPM0_C1SC)	32	R/W	0000_0000h	29.4.4/480
4003_8018	Channel (n) Value (TPM0_C1V)	32	R/W	0000_0000h	29.4.5/482
4003_801C	Channel (n) Status and Control (TPM0_C2SC)	32	R/W	0000_0000h	29.4.4/480
4003_8020	Channel (n) Value (TPM0_C2V)	32	R/W	0000_0000h	29.4.5/482
4003_8024	Channel (n) Status and Control (TPM0_C3SC)	32	R/W	0000_0000h	29.4.4/480
4003_8028	Channel (n) Value (TPM0_C3V)	32	R/W	0000_0000h	29.4.5/482
4003_802C	Channel (n) Status and Control (TPM0_C4SC)	32	R/W	0000_0000h	29.4.4/480
4003_8030	Channel (n) Value (TPM0_C4V)	32	R/W	0000_0000h	29.4.5/482
4003_8034	Channel (n) Status and Control (TPM0_C5SC)	32	R/W	0000_0000h	29.4.4/480
4003_8038	Channel (n) Value (TPM0_C5V)	32	R/W	0000_0000h	29.4.5/482
4003_8050	Capture and Compare Status (TPM0_STATUS)	32	R/W	0000_0000h	29.4.6/482

Table continues on the next page...

TPM memory map (continued)

Absolute address (hex)	Register name	Width (in bits)	Access	Reset value	Section/page
4003_8070	Channel Polarity (TPM0_POL)	32	R/W	0000_0000h	29.4.7/484
4003_8084	Configuration (TPM0_CONF)	32	R/W	0000_0000h	29.4.8/485
4003_9000	Status and Control (TPM1_SC)	32	R/W	0000_0000h	29.4.1/477
4003_9004	Counter (TPM1_CNT)	32	R/W	0000_0000h	29.4.2/478
4003_9008	Modulo (TPM1_MOD)	32	R/W	0000_FFFFh	29.4.3/479
4003_900C	Channel (n) Status and Control (TPM1_C0SC)	32	R/W	0000_0000h	29.4.4/480
4003_9010	Channel (n) Value (TPM1_C0V)	32	R/W	0000_0000h	29.4.5/482
4003_9014	Channel (n) Status and Control (TPM1_C1SC)	32	R/W	0000_0000h	29.4.4/480
4003_9018	Channel (n) Value (TPM1_C1V)	32	R/W	0000_0000h	29.4.5/482
4003_901C	Channel (n) Status and Control (TPM1_C2SC)	32	R/W	0000_0000h	29.4.4/480
4003_9020	Channel (n) Value (TPM1_C2V)	32	R/W	0000_0000h	29.4.5/482
4003_9024	Channel (n) Status and Control (TPM1_C3SC)	32	R/W	0000_0000h	29.4.4/480
4003_9028	Channel (n) Value (TPM1_C3V)	32	R/W	0000_0000h	29.4.5/482
4003_902C	Channel (n) Status and Control (TPM1_C4SC)	32	R/W	0000_0000h	29.4.4/480
4003_9030	Channel (n) Value (TPM1_C4V)	32	R/W	0000_0000h	29.4.5/482
4003_9034	Channel (n) Status and Control (TPM1_C5SC)	32	R/W	0000_0000h	29.4.4/480
4003_9038	Channel (n) Value (TPM1_C5V)	32	R/W	0000_0000h	29.4.5/482
4003_9050	Capture and Compare Status (TPM1_STATUS)	32	R/W	0000_0000h	29.4.6/482
4003_9070	Channel Polarity (TPM1_POL)	32	R/W	0000_0000h	29.4.7/484
4003_9084	Configuration (TPM1_CONF)	32	R/W	0000_0000h	29.4.8/485
4003_A000	Status and Control (TPM2_SC)	32	R/W	0000_0000h	29.4.1/477
4003_A004	Counter (TPM2_CNT)	32	R/W	0000_0000h	29.4.2/478
4003_A008	Modulo (TPM2_MOD)	32	R/W	0000_FFFFh	29.4.3/479
4003_A00C	Channel (n) Status and Control (TPM2_C0SC)	32	R/W	0000_0000h	29.4.4/480
4003_A010	Channel (n) Value (TPM2_C0V)	32	R/W	0000_0000h	29.4.5/482
4003_A014	Channel (n) Status and Control (TPM2_C1SC)	32	R/W	0000_0000h	29.4.4/480
4003_A018	Channel (n) Value (TPM2_C1V)	32	R/W	0000_0000h	29.4.5/482
4003_A01C	Channel (n) Status and Control (TPM2_C2SC)	32	R/W	0000_0000h	29.4.4/480
4003_A020	Channel (n) Value (TPM2_C2V)	32	R/W	0000_0000h	29.4.5/482
4003_A024	Channel (n) Status and Control (TPM2_C3SC)	32	R/W	0000_0000h	29.4.4/480
4003_A028	Channel (n) Value (TPM2_C3V)	32	R/W	0000_0000h	29.4.5/482
4003_A02C	Channel (n) Status and Control (TPM2_C4SC)	32	R/W	0000_0000h	29.4.4/480
4003_A030	Channel (n) Value (TPM2_C4V)	32	R/W	0000_0000h	29.4.5/482
4003_A034	Channel (n) Status and Control (TPM2_C5SC)	32	R/W	0000_0000h	29.4.4/480
4003_A038	Channel (n) Value (TPM2_C5V)	32	R/W	0000_0000h	29.4.5/482
4003_A050	Capture and Compare Status (TPM2_STATUS)	32	R/W	0000_0000h	29.4.6/482
4003_A070	Channel Polarity (TPM2_POL)	32	R/W	0000_0000h	29.4.7/484
4003_A084	Configuration (TPM2_CONF)	32	R/W	0000_0000h	29.4.8/485

29.4.1 Status and Control (TPMx_SC)

SC contains the overflow status flag and control bits used to configure the interrupt enable, module configuration and prescaler factor. These controls relate to all channels within this module.

Address: Base address + 0h offset

Bit	31	30	29	28	27	26	25	24	23	22	21	20	19	18	17	16
R	0															
W	[Reserved]															
Reset	0	0	0	0	0	0	0	0	0	0	0	0	0	0	0	0
Bit	15	14	13	12	11	10	9	8	7	6	5	4	3	2	1	0
R	0								TOF	TOIE	CPWMS	CMOD	PS			
W	[Reserved]								DMA							
Reset	0	0	0	0	0	0	0	0	0	0	0	0	0	0	0	0

TPMx_SC field descriptions

Field	Description
31–9 Reserved	This field is reserved. This read-only field is reserved and always has the value 0.
8 DMA	DMA Enable Enables DMA transfers for the overflow flag. 0 Disables DMA transfers. 1 Enables DMA transfers.
7 TOF	Timer Overflow Flag Set by hardware when the TPM counter equals the value in the MOD register and increments. Writing a 1 to TOF clears it. Writing a 0 to TOF has no effect. If another TPM overflow occurs between the flag setting and the flag clearing, the write operation has no effect; therefore, TOF remains set indicating another overflow has occurred. In this case a TOF interrupt request is not lost due to a delay in clearing the previous TOF.

Table continues on the next page...

TPMx_SC field descriptions (continued)

Field	Description
	0 TPM counter has not overflowed. 1 TPM counter has overflowed.
6 TOIE	Timer Overflow Interrupt Enable Enables TPM overflow interrupts. 0 Disable TOF interrupts. Use software polling or DMA request. 1 Enable TOF interrupts. An interrupt is generated when TOF equals one.
5 CPWMS	Center-Aligned PWM Select Selects CPWM mode. This mode configures the TPM to operate in up-down counting mode. This field is write protected. It can be written only when the counter is disabled. 0 TPM counter operates in up counting mode. 1 TPM counter operates in up-down counting mode.
4–3 CMOD	Clock Mode Selection Selects the TPM counter clock modes. When disabling the counter, this field remain set until acknowledged in the TPM clock domain. 00 TPM counter is disabled 01 TPM counter increments on every TPM counter clock 10 TPM counter increments on rising edge of TPM_EXTCLK synchronized to the TPM counter clock 11 Reserved.
PS	Prescale Factor Selection Selects one of 8 division factors for the clock mode selected by CMOD. This field is write protected. It can be written only when the counter is disabled. 000 Divide by 1 001 Divide by 2 010 Divide by 4 011 Divide by 8 100 Divide by 16 101 Divide by 32 110 Divide by 64 111 Divide by 128

29.4.2 Counter (TPMx_CNT)

The CNT register contains the TPM counter value.

Reset clears the CNT register. Writing any value to COUNT also clears the counter.

When debug is active, the TPM counter does not increment unless configured otherwise.

Reading the CNT register adds two wait states to the register access due to synchronization delays.

Address: Base address + 4h offset

Bit	31	30	29	28	27	26	25	24	23	22	21	20	19	18	17	16	15	14	13	12	11	10	9	8	7	6	5	4	3	2	1	0
R	0																COUNT															
W	0																0															
Reset	0	0	0	0	0	0	0	0	0	0	0	0	0	0	0	0	0	0	0	0	0	0	0	0	0	0	0	0	0	0	0	0

TPMx_CNT field descriptions

Field	Description
31–16 Reserved	This field is reserved. This read-only field is reserved and always has the value 0.
COUNT	Counter value

29.4.3 Modulo (TPMx_MOD)

The Modulo register contains the modulo value for the TPM counter. When the TPM counter reaches the modulo value and increments, the overflow flag (TOF) is set and the next value of TPM counter depends on the selected counting method (see [Counter](#)).

Writing to the MOD register latches the value into a buffer. The MOD register is updated with the value of its write buffer according to [MOD Register Update](#) . Additional writes to the MOD write buffer are ignored until the register has been updated.

It is recommended to initialize the TPM counter (write to CNT) before writing to the MOD register to avoid confusion about when the first counter overflow will occur.

Address: Base address + 8h offset

Bit	31	30	29	28	27	26	25	24	23	22	21	20	19	18	17	16	15	14	13	12	11	10	9	8	7	6	5	4	3	2	1	0
R	0																MOD															
W	0																0															
Reset	0	0	0	0	0	0	0	0	0	0	0	0	0	0	0	0	1	1	1	1	1	1	1	1	1	1	1	1	1	1	1	1

TPMx_MOD field descriptions

Field	Description
31–16 Reserved	This field is reserved. This read-only field is reserved and always has the value 0.
MOD	Modulo value This field must be written with single 16-bit or 32-bit access.

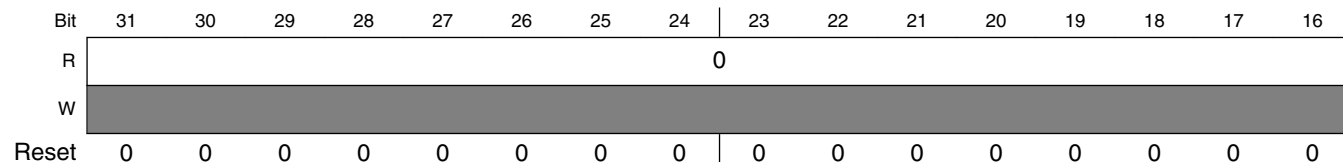
29.4.4 Channel (n) Status and Control (TPMx_CnSC)

CnSC contains the channel-interrupt-status flag and control bits used to configure the interrupt enable, channel configuration, and pin function. When switching from one channel mode to a different channel mode, the channel must first be disabled and this must be acknowledged in the TPM counter clock domain.

Table 29-5. Mode, Edge, and Level Selection

CPWMS	MSnB:MSnA	ELSnB:ELSnA	Mode	Configuration
X	00	00	None	Channel disabled
X	01	00	Software compare	Pin not used for TPM
0	00	01	Input capture	Capture on Rising Edge Only
		10		Capture on Falling Edge Only
		11		Capture on Rising or Falling Edge
	01	01	Output compare	Toggle Output on match
		10		Clear Output on match
		11		Set Output on match
	10	10	Edge-aligned PWM	High-true pulses (clear Output on match, set Output on reload)
				Low-true pulses (set Output on match, clear Output on reload)
	11	10	Output compare	Pulse Output low on match
				01
1	10	10	Center-aligned PWM	High-true pulses (clear Output on match-up, set Output on match-down)
				01

Address: Base address + Ch offset + (8d × i), where i=0d to 5d



Bit	15	14	13	12	11	10	9	8	7	6	5	4	3	2	1	0
R	0								CHF	CHIE	MSB	MSA	ELSB	ELSA	0	DMA
W									w1c							
Reset	0	0	0	0	0	0	0	0	0	0	0	0	0	0	0	0

TPMx_CnSC field descriptions

Field	Description
31–8 Reserved	This field is reserved. This read-only field is reserved and always has the value 0.
7 CHF	Channel Flag Set by hardware when an event occurs on the channel. CHF is cleared by writing a 1 to the CHF bit. Writing a 0 to CHF has no effect. If another event occurs between the CHF sets and the write operation, the write operation has no effect; therefore, CHF remains set indicating another event has occurred. In this case a CHF interrupt request is not lost due to the delay in clearing the previous CHF. 0 No channel event has occurred. 1 A channel event has occurred.
6 CHIE	Channel Interrupt Enable Enables channel interrupts. 0 Disable channel interrupts. 1 Enable channel interrupts.
5 MSB	Channel Mode Select Used for further selections in the channel logic. Its functionality is dependent on the channel mode. When a channel is disabled, this field will not change state until acknowledged in the TPM counter clock domain.
4 MSA	Channel Mode Select Used for further selections in the channel logic. Its functionality is dependent on the channel mode. When a channel is disabled, this field will not change state until acknowledged in the TPM counter clock domain.
3 ELSB	Edge or Level Select The functionality of ELSB and ELSA depends on the channel mode. When a channel is disabled, this field will not change state until acknowledged in the TPM counter clock domain.
2 ELSA	Edge or Level Select The functionality of ELSB and ELSA depends on the channel mode. When a channel is disabled, this field will not change state until acknowledged in the TPM counter clock domain.
1 Reserved	This field is reserved. This read-only field is reserved and always has the value 0.
0 DMA	DMA Enable Enables DMA transfers for the channel. 0 Disable DMA transfers. 1 Enable DMA transfers.

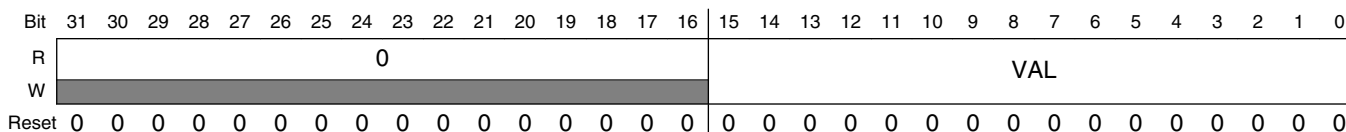
29.4.5 Channel (n) Value (TPMx_CnV)

These registers contain the captured TPM counter value for the input modes or the match value for the output modes.

In input capture mode, any write to a CnV register is ignored.

In compare modes, writing to a CnV register latches the value into a buffer. A CnV register is updated with the value of its write buffer according to [CnV Register Update](#) . Additional writes to the CnV write buffer are ignored until the register has been updated.

Address: Base address + 10h offset + (8d × i), where i=0d to 5d



TPMx_CnV field descriptions

Field	Description
31–16 Reserved	This field is reserved. This read-only field is reserved and always has the value 0.
VAL	Channel Value Captured TPM counter value of the input modes or the match value for the output modes. This field must be written with single 16-bit or 32-bit access.

29.4.6 Capture and Compare Status (TPMx_STATUS)

The STATUS register contains a copy of the status flag, CnSC[CHnF] for each TPM channel, as well as SC[TOF], for software convenience.

Each CHnF bit in STATUS is a mirror of CHnF bit in CnSC. All CHnF bits can be checked using only one read of STATUS. All CHnF bits can be cleared by writing all ones to STATUS.

Hardware sets the individual channel flags when an event occurs on the channel. Writing a 1 to CHF clears it. Writing a 0 to CHF has no effect.

If another event occurs between the flag setting and the write operation, the write operation has no effect; therefore, CHF remains set indicating another event has occurred. In this case a CHF interrupt request is not lost due to the clearing sequence for a previous CHF.

Address: Base address + 50h offset

Bit	31	30	29	28	27	26	25	24	23	22	21	20	19	18	17	16	
R	0																
W																	
Reset	0	0	0	0	0	0	0	0	0	0	0	0	0	0	0	0	
Bit	15	14	13	12	11	10	9	8	7	6	5	4	3	2	1	0	
R	0								TOF	0		CH5F	CH4F	CH3F	CH2F	CH1F	CH0F
W									w1c			w1c	w1c	w1c	w1c	w1c	w1c
Reset	0	0	0	0	0	0	0	0	0	0	0	0	0	0	0	0	

TPMx_STATUS field descriptions

Field	Description
31–9 Reserved	This field is reserved. This read-only field is reserved and always has the value 0.
8 TOF	Timer Overflow Flag See register description 0 TPM counter has not overflowed. 1 TPM counter has overflowed.
7–6 Reserved	This field is reserved. This read-only field is reserved and always has the value 0.
5 CH5F	Channel 5 Flag See the register description. 0 No channel event has occurred. 1 A channel event has occurred.
4 CH4F	Channel 4 Flag See the register description. 0 No channel event has occurred. 1 A channel event has occurred.
3 CH3F	Channel 3 Flag See the register description. 0 No channel event has occurred. 1 A channel event has occurred.

Table continues on the next page...

TPMx_STATUS field descriptions (continued)

Field	Description
2 CH2F	Channel 2 Flag See the register description. 0 No channel event has occurred. 1 A channel event has occurred.
1 CH1F	Channel 1 Flag See the register description. 0 No channel event has occurred. 1 A channel event has occurred.
0 CH0F	Channel 0 Flag See the register description. 0 No channel event has occurred. 1 A channel event has occurred.

29.4.7 Channel Polarity (TPMx_POL)

This register defines the input and output polarity of each of the channels.

Address: Base address + 70h offset

Bit	31	30	29	28	27	26	25	24	23	22	21	20	19	18	17	16
R	0															
W																
Reset	0	0	0	0	0	0	0	0	0	0	0	0	0	0	0	0
Bit	15	14	13	12	11	10	9	8	7	6	5	4	3	2	1	0
R	0								POL5	POL4	POL3	POL2	POL1	POL0		
W																
Reset	0	0	0	0	0	0	0	0	0	0	0	0	0	0	0	0

TPMx_POL field descriptions

Field	Description
31–6 Reserved	This field is reserved. This read-only field is reserved and always has the value 0.
5 POL5	Channel 5 Polarity 0 The channel polarity is active high. 1 The channel polarity is active low.
4 POL4	Channel 4 Polarity 0 The channel polarity is active high 1 The channel polarity is active low.

Table continues on the next page...

TPMx_POL field descriptions (continued)

Field	Description
3 POL3	Channel 3 Polarity 0 The channel polarity is active high. 1 The channel polarity is active low.
2 POL2	Channel 2 Polarity 0 The channel polarity is active high. 1 The channel polarity is active low.
1 POL1	Channel 1 Polarity 0 The channel polarity is active high. 1 The channel polarity is active low.
0 POL0	Channel 0 Polarity 0 The channel polarity is active high. 1 The channel polarity is active low.

29.4.8 Configuration (TPMx_CONF)

This register selects the behavior in debug and wait modes and the use of an external global time base.

Address: Base address + 84h offset

Bit	31	30	29	28	27	26	25	24	23	22	21	20	19	18	17	16
R	0				TRGSEL				TRGSRC	TRGPOL	0		CPOT	CROT	CSOO	CSOT
W	[Shaded]				[Shaded]				[Shaded]	[Shaded]	[Shaded]		[Shaded]	[Shaded]	[Shaded]	[Shaded]
Reset	0	0	0	0	0	0	0	0	0	0	0	0	0	0	0	0
Bit	15	14	13	12	11	10	9	8	7	6	5	4	3	2	1	0
R	0				GTBEEN	GTBSYNC	DBGMODE		DOZEEN	0						
W	[Shaded]				[Shaded]	[Shaded]	[Shaded]		[Shaded]	[Shaded]						
Reset	0	0	0	0	0	0	0	0	0	0	0	0	0	0	0	0

TPMx_CONF field descriptions

Field	Description
31–28 Reserved	This field is reserved. This read-only field is reserved and always has the value 0.

Table continues on the next page...

TPMx_CONF field descriptions (continued)

Field	Description
27–24 TRGSEL	<p>Trigger Select</p> <p>Selects the input trigger to use for starting, reloading and/or pausing the counter. The source of the trigger (external or internal to the TPM) is configured by the TRGSRC field. This field should only be changed when the TPM counter is disabled.</p> <p>Refer to the chip configuration section for available external trigger options.</p> <p>The available internal trigger sources are listed below.</p> <p>0001 Channel 0 pin input capture 0010 Channel 1 pin input capture 0011 Channel 0 or Channel 1 pin input capture 0100 Channel 2 pin input capture 0101 Channel 0 or Channel 2 pin input capture 0110 Channel 1 or Channel 2 pin input capture 0111 Channel 0 or Channel 1 or Channel 2 pin input capture 1000 Channel 3 pin input capture 1001 Channel 0 or Channel 3 pin input capture 1010 Channel 1 or Channel 3 pin input capture 1011 Channel 0 or Channel 1 or Channel 3 pin input capture 1100 Channel 2 or Channel 3 pin input capture 1101 Channel 0 or Channel 2 or Channel 3 pin input capture 1110 Channel 1 or Channel 2 or Channel 3 pin input capture 1111 Channel 0 or Channel 1 or Channel 2 or Channel 3 pin input capture</p>
23 TRGSRC	<p>Trigger Source</p> <p>Selects between internal (channel pin input capture) or external trigger sources.</p> <p>When selecting an internal trigger, the channel selected should be configured for input capture. Only a rising edge input capture can be used to initially start the counter using the CSOT configuration; either rising edge or falling edge input capture can be used to reload the counter using the CROT configuration; and the state of the channel input pin is used to pause the counter using the CPOT configuration. The channel polarity register can be used to invert the polarity of the channel input pins.</p> <p>This field should only be changed when the TPM counter is disabled.</p> <p>0 Trigger source selected by TRGSEL is external. 1 Trigger source selected by TRGSEL is internal (channel pin input capture).</p>
22 TRGPOL	<p>Trigger Polarity</p> <p>Selects the polarity of the external trigger source. This field should only be changed when the TPM counter is disabled.</p> <p>0 Trigger is active high. 1 Trigger is active low.</p>
21–20 Reserved	<p>This field is reserved. This read-only field is reserved and always has the value 0.</p>
19 CPOT	<p>Counter Pause On Trigger</p> <p>When enabled, the counter will pause incrementing while the trigger remains asserted (level sensitive). This field should only be changed when the TPM counter is disabled.</p>
18 CROT	<p>Counter Reload On Trigger</p>

Table continues on the next page...

TPMx_CONF field descriptions (continued)

Field	Description
	<p>When set, the TPM counter will reload with 0 (and initialize PWM outputs to their default value) when a rising edge is detected on the selected trigger input.</p> <p>The trigger input is ignored if the TPM counter is paused during debug mode or doze mode. This field should only be changed when the TPM counter is disabled.</p> <p>0 Counter is not reloaded due to a rising edge on the selected input trigger 1 Counter is reloaded when a rising edge is detected on the selected input trigger</p>
17 CSOO	<p>Counter Stop On Overflow</p> <p>When set, the TPM counter will stop incrementing once the counter equals the MOD value and incremented (this also sets the TOF). Reloading the counter with 0 due to writing to the counter register or due to a trigger input does not cause the counter to stop incrementing. Once the counter has stopped incrementing, the counter will not start incrementing unless it is disabled and then enabled again, or a rising edge on the selected trigger input is detected when CSOT set.</p> <p>This field should only be changed when the TPM counter is disabled.</p> <p>0 TPM counter continues incrementing or decrementing after overflow 1 TPM counter stops incrementing or decrementing after overflow.</p>
16 CSOT	<p>Counter Start on Trigger</p> <p>When set, the TPM counter will not start incrementing after it is enabled until a rising edge on the selected trigger input is detected. If the TPM counter is stopped due to an overflow, a rising edge on the selected trigger input will also cause the TPM counter to start incrementing again.</p> <p>The trigger input is ignored if the TPM counter is paused during debug mode or doze mode. This field should only be changed when the TPM counter is disabled.</p> <p>0 TPM counter starts to increment immediately, once it is enabled. 1 TPM counter only starts to increment when it a rising edge on the selected input trigger is detected, after it has been enabled or after it has stopped due to overflow.</p>
15–10 Reserved	<p>This field is reserved. This read-only field is reserved and always has the value 0.</p>
9 GTBEEN	<p>Global time base enable</p> <p>Configures the TPM to use an externally generated global time base counter. When an externally generated timebase is used, the internal TPM counter is not used by the channels but can be used to generate a periodic interruptor DMA request using the Modulo register and timer overflow flag.</p> <p>0 All channels use the internally generated TPM counter as their timebase 1 All channels use an externally generated global timebase as their timebase</p>
8 GTBSYNC	<p>Global Time Base Synchronization</p> <p>When enabled, the TPM counter is synchronized to the global time base. It uses the global timebase enable, trigger and overflow to ensure the TPM counter starts incrementing at the same time as the global timebase, stops incrementing at the same time as the global timebase and is reset at the same time as the global timebase. This field should only be changed when the TPM counter is disabled.</p> <p>0 Global timebase synchronization disabled. 1 Global timebase synchronization enabled.</p>
7–6 DBGMODE	<p>Debug Mode</p> <p>Configures the TPM behavior in debug mode. All other configurations are reserved.</p>

Table continues on the next page...

TPMx_CONF field descriptions (continued)

Field	Description
	00 TPM counter is paused and does not increment during debug mode. Trigger inputs and input capture events are also ignored. 11 TPM counter continues in debug mode.
5 DOZEEN	Doze Enable Configures the TPM behavior in wait mode. 0 Internal TPM counter continues in Doze mode. 1 Internal TPM counter is paused and does not increment during Doze mode. Trigger inputs and input capture events are also ignored.
Reserved	This field is reserved. This read-only field is reserved and always has the value 0.

29.5 Functional description

The following sections describe the TPM features.

29.5.1 Clock domains

The TPM module supports two clock domains.

The bus clock domain is used by the register interface and for synchronizing interrupts and DMA requests.

The TPM counter clock domain is used to clock the counter and prescaler along with the output compare and input capture logic. The TPM counter clock is considered asynchronous to the bus clock, can be a higher or lower frequency than the bus clock and can remain operational in Stop mode. Multiple TPM instances are all clocked by the same TPM counter clock in support of the external timebase feature.

29.5.1.1 Counter Clock Mode

The CMOD[1:0] bits in the SC register either disable the TPM counter or select one of two possible clock modes for the TPM counter. After any reset, CMOD[1:0] = 0:0 so the TPM counter is disabled.

The CMOD[1:0] bits may be read or written at any time. Disabling the TPM counter by writing zero to the CMOD[1:0] bits does not affect the TPM counter value or other registers, but must be acknowledged by the TPM counter clock domain before they read as zero.

The external clock input passes through a synchronizer clocked by the TPM counter clock to assure that counter transitions are properly aligned to counter clock transitions. Therefore, to meet Nyquist criteria considering also jitter, the frequency of the external clock source must be less than half of the counter clock frequency.

29.5.2 Prescaler

The selected counter clock source passes through a prescaler that is a 7-bit counter.

The value of the prescaler is selected by the PS[2:0] bits. The following figure shows an example of the prescaler counter and TPM counter.

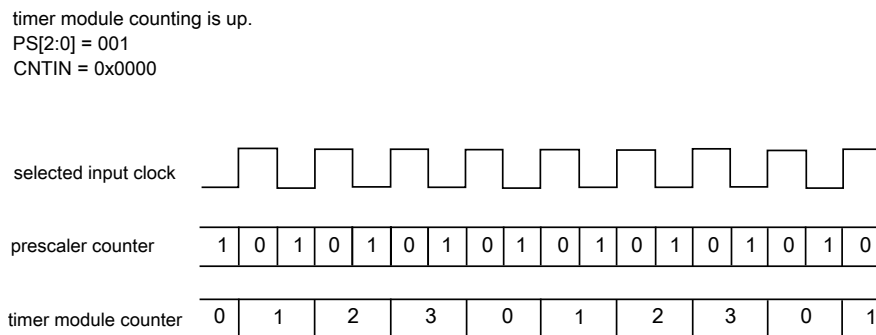


Figure 29-2. Example of the Prescaler Counter

29.5.3 Counter

The TPM has a 16-bit counter that is used by the channels either for input or output modes.

The counter updates from the selected clock divided by the prescaler.

The TPM counter has these modes of operation:

- up counting (see [Up counting](#))
- up-down counting (see [Up-down counting](#))

29.5.3.1 Up counting

Up counting is selected when SC[CPWMS] = 0.

The value of zero is loaded into the TPM counter, and the counter increments until the value of MOD is reached, at which point the counter is reloaded with zero.

Functional description

The TPM period when using up counting is $(MOD + 0x0001) \times$ period of the TPM counter clock.

The TOF bit is set when the TPM counter changes from MOD to zero.

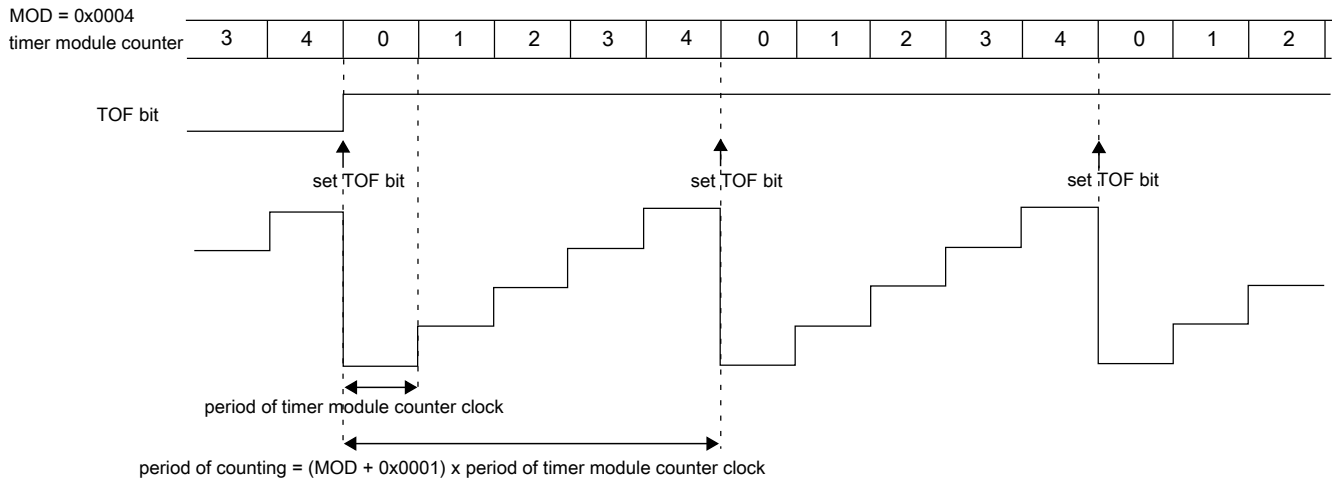


Figure 29-3. Example of TPM Up Counting

Note

- MOD = 0000 is a redundant condition. In this case, the TPM counter is always equal to MOD and the TOF bit is set in each rising edge of the TPM counter clock.

29.5.3.2 Up-down counting

Up-down counting is selected when $SC[CPWMS] = 1$. When configured for up-down counting, configuring $CONF[MOD]$ to less than 2 is not supported.

The value of 0 is loaded into the TPM counter, and the counter increments until the value of MOD is reached, at which point the counter is decremented until it returns to zero and the up-down counting restarts.

The TPM period when using up-down counting is $2 \times MOD \times$ period of the TPM counter clock.

The TOF bit is set when the TPM counter changes from MOD to $(MOD - 1)$.

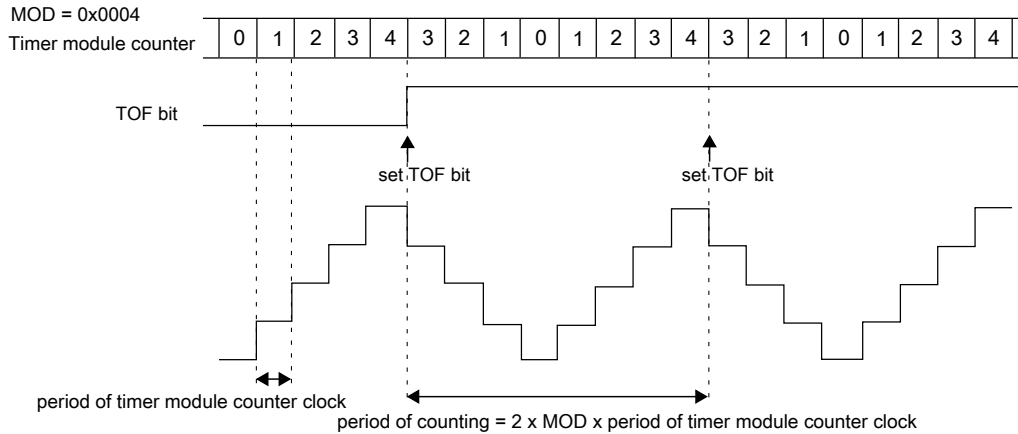


Figure 29-4. Example of up-down counting

29.5.3.3 Counter Reset

Any write to CNT resets the TPM counter and the channel outputs to their initial values (except for channels in output compare mode).

29.5.3.4 Global time base (GTB)

The global time base (GTB) is a TPM function that allows multiple TPM modules to share the same timebase. When the global time base is enabled ($\text{CONF}[\text{GTBEEN}] = 1$), the local TPM channels use the counter value, counter enable and overflow indication from the TPM generating the global time base. If the local TPM counter is not generating the global time base, then it can be used as an independent counter or pulse accumulator.

The local TPM counter can also be configured to synchronize to the global time base, by configuring ($\text{GTBSYNC} = 1$). When synchronized to the global time base, the local counter will use the counter enable and counter overflow indication from the TPM generating the global time base. This enables multiple TPM to be configured with the same phase, but with different periods (although the global time base must be configured with the longest period).

29.5.3.5 Counter trigger

The TPM counter can be configured to start, stop or reset in response to a hardware trigger input. The trigger input is synchronized to the asynchronous counter clock, so there is a 3 counter clock delay between the trigger assertion and the counter responding.

Functional description

- When (CSOT = 1), the counter will not start incrementing until a rising edge is detected on the trigger input.
- When (CSOO= 1), the counter will stop incrementing whenever the TOF flag is set. The counter does not increment again unless it is disabled, or if CSOT = 1 and a rising edge is detected on the trigger input.
- When (CROT= 1), the counter will reset to zero as if an overflow occurred whenever a rising edge is detected on the trigger input.
- When (CPOT = 1), the counter will pause incrementing whenever the trigger input is asserted. The counter will continue incrementing when the trigger input negates.

The polarity of the external input trigger can be configured by the TRGPOL register bit.

When an internal trigger source is selected, the trigger input is selected from one or more channel input capture events. The input capture filters are used with the internal trigger sources and the POLn bits can be used to invert the polarity of the input channels. Note that following restrictions apply with input capture channel sources.

- When (CSOT = 1), the counter will only start incrementing on a rising edge on the channel input, provided ELSnA = 1.
- When (CROT= 1), the counter will reset to zero on either edge of the channel input, as configured by ELSnB:ELSnA.
- When (CPOT = 1), the counter will pause incrementing whenever the channel input is asserted.

29.5.4 Input Capture Mode

The input capture mode is selected when (CPWMS = 0), (MSnB:MSnA = 0:0), and (ELSnB:ELSnA ≠ 0:0).

When a selected edge occurs on the channel input, the current value of the TPM counter is captured into the CnV register, at the same time the CHnF bit is set and the channel interrupt is generated if enabled by CHnIE = 1 (see the following figure).

When a channel is configured for input capture, the TPM_CHn pin is an edge-sensitive input. ELSnB:ELSnA control bits determine which edge, falling or rising, triggers input-capture event. Note that the maximum frequency for the channel input signal to be detected correctly is counter clock divided by 4, which is required to meet Nyquist criteria for signal sampling.

Writes to the CnV register are ignored in input capture mode.

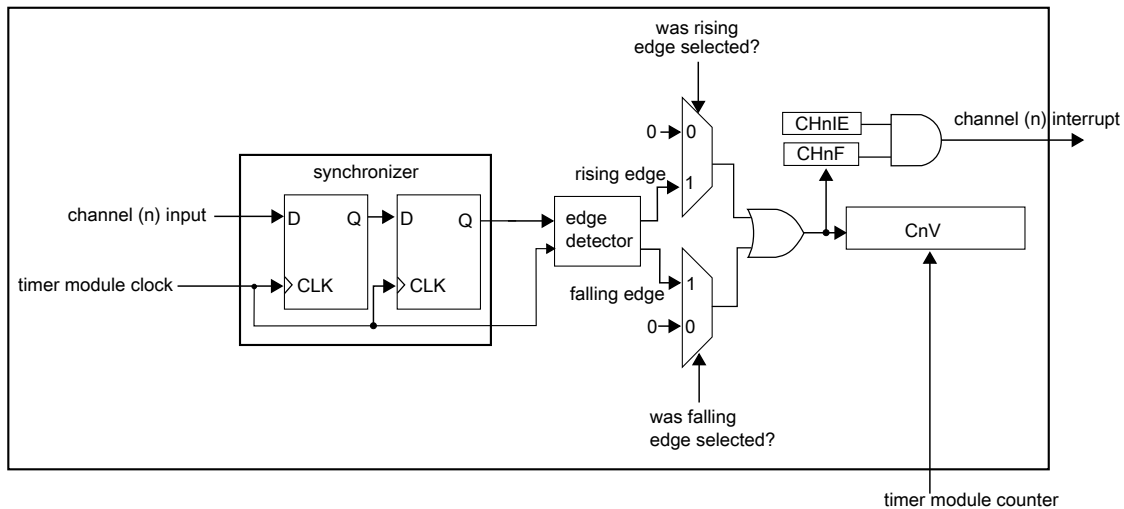


Figure 29-5. Input capture mode

The CHnF bit is set on the third rising edge of the counter clock after a valid edge occurs on the channel input.

29.5.5 Output Compare Mode

The output compare mode is selected when (CPWMS = 0), and (MSnB:MSnA = X:1).

In output compare mode, the TPM can generate timed pulses with programmable position, polarity, duration, and frequency. When the counter matches the value in the CnV register of an output compare channel, the channel (n) output can be set, cleared or toggled if MSnB is clear. If MSnB is set then the channel (n) output is pulsed high or low for as long as the counter matches the value in the CnV register.

When a channel is initially configured to output compare mode, the channel output updates with its negated value (logic 0 for set/toggle/pulse high and logic one for clear/pulse low).

The CHnF bit is set and the channel (n) interrupt is generated (if CHnIE = 1) at the channel (n) match (TPM counter = CnV).

Functional description

MOD = 0x0005
CnV = 0x0003

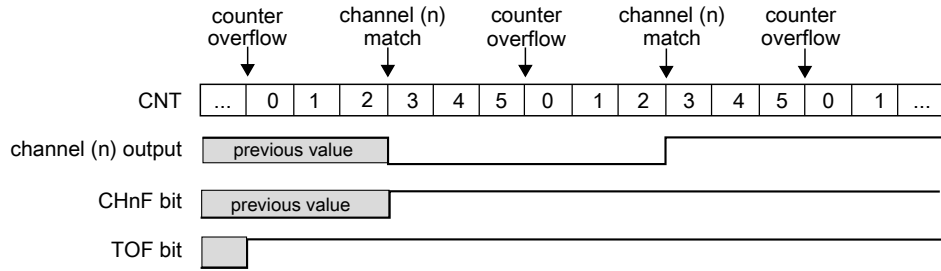


Figure 29-6. Example of the output compare mode when the match toggles the channel output

MOD = 0x0005
CnV = 0x0003

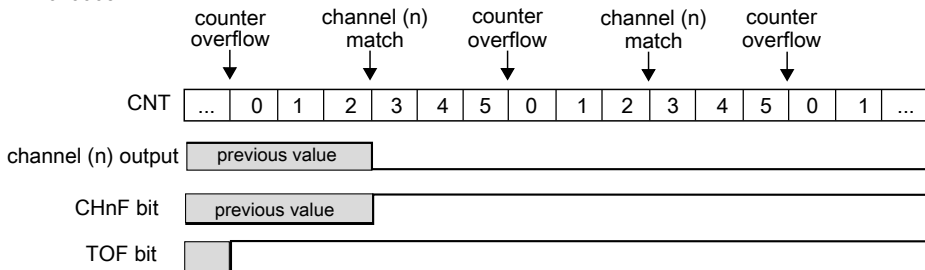


Figure 29-7. Example of the output compare mode when the match clears the channel output

MOD = 0x0005
CnV = 0x0003

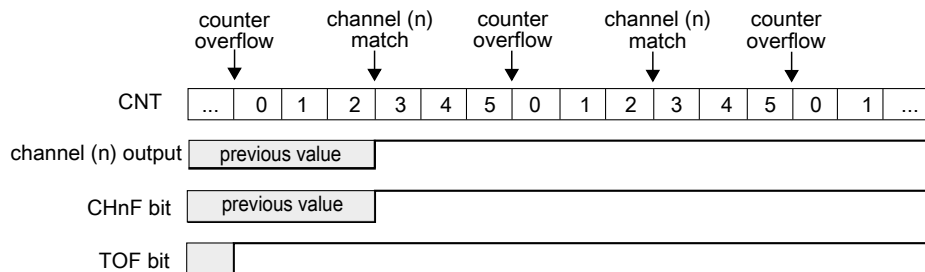


Figure 29-8. Example of the output compare mode when the match sets the channel output

It is possible to use the output compare mode with (ELSnB:ELSnA = 0:0). In this case, when the counter reaches the value in the CnV register, the CHnF bit is set and the channel (n) interrupt is generated (if CHnIE = 1), however the channel (n) output is not modified and controlled by TPM.

29.5.6 Edge-Aligned PWM (EPWM) Mode

The edge-aligned mode is selected when (CPWMS = 0), and (MSnB:MSnA = 1:0).

The EPWM period is determined by $(MOD + 0x0001)$ and the pulse width (duty cycle) is determined by CnV .

The $CHnF$ bit is set and the channel (n) interrupt is generated (if $CHnIE = 1$) at the channel (n) match (TPM counter = CnV), that is, at the end of the pulse width.

This type of PWM signal is called edge-aligned because the leading edges of all PWM signals are aligned with the beginning of the period, which is the same for all channels within an TPM.

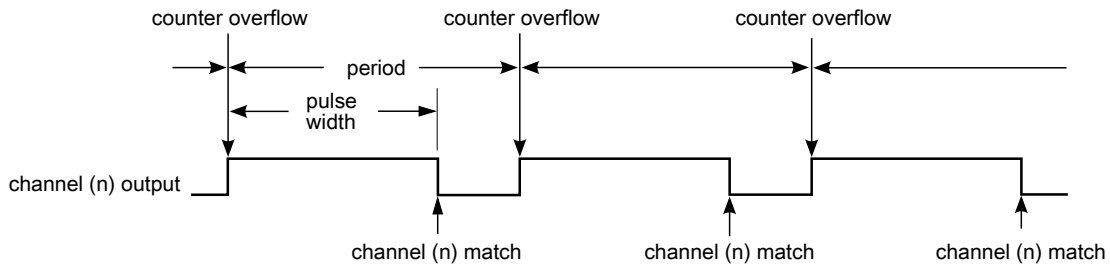


Figure 29-9. EPWM period and pulse width with $ELS_nB:ELS_nA = 1:0$

If ($ELS_nB:ELS_nA = 0:0$) when the counter reaches the value in the CnV register, the $CHnF$ bit is set and the channel (n) interrupt is generated (if $CHnIE = 1$), however the channel (n) output is not controlled by TPM.

If ($ELS_nB:ELS_nA = 1:0$), then the channel (n) output is forced high at the counter overflow (when the zero is loaded into the TPM counter), and it is forced low at the channel (n) match (TPM counter = CnV) (see the following figure).

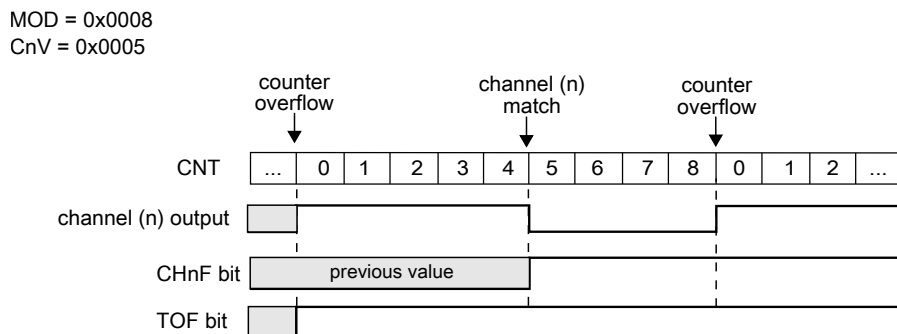


Figure 29-10. EPWM signal with $ELS_nB:ELS_nA = 1:0$

If ($ELS_nB:ELS_nA = X:1$), then the channel (n) output is forced low at the counter overflow (when zero is loaded into the TPM counter), and it is forced high at the channel (n) match (TPM counter = CnV) (see the following figure).

Functional description

MOD = 0x0008
CnV = 0x0005

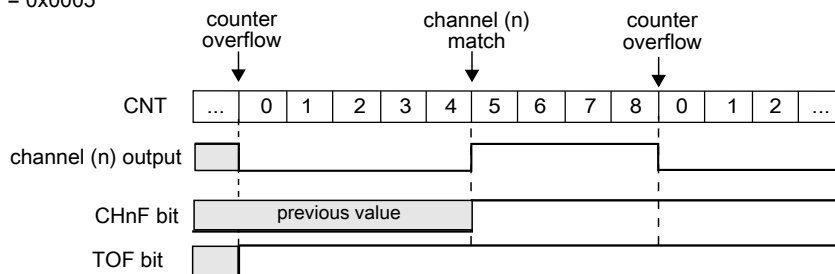


Figure 29-11. EPWM signal with ELSnB:ELSnA = X:1

If ($CnV = 0x0000$), then the channel (n) output is a 0% duty cycle EPWM signal. If ($CnV > MOD$), then the channel (n) output is a 100% duty cycle EPWM signal and CHnF bit is not set since there is never a channel (n) match. Therefore, MOD must be less than 0xFFFF in order to get a 100% duty cycle EPWM signal.

29.5.7 Center-Aligned PWM (CPWM) Mode

The center-aligned mode is selected when ($CPWMS = 1$) and ($MSnB:MSnA = 1:0$).

The CPWM pulse width (duty cycle) is determined by $2 \times CnV$ and the period is determined by $2 \times MOD$ (see the following figure). MOD must be kept in the range of 0x0001 to 0x7FFF because values outside this range can produce ambiguous results.

In the CPWM mode, the TPM counter counts up until it reaches MOD and then counts down until it reaches zero.

The CHnF bit is set and channel (n) interrupt is generated (if $CHnIE = 1$) at the channel (n) match (TPM counter = CnV) when the TPM counting is down (at the begin of the pulse width) and when the TPM counting is up (at the end of the pulse width).

This type of PWM signal is called center-aligned because the pulse width centers for all channels are when the TPM counter is zero.

The other channel modes are not designed to be used with the up-down counter ($CPWMS = 1$). Therefore, all TPM channels should be used in CPWM mode when ($CPWMS = 1$).

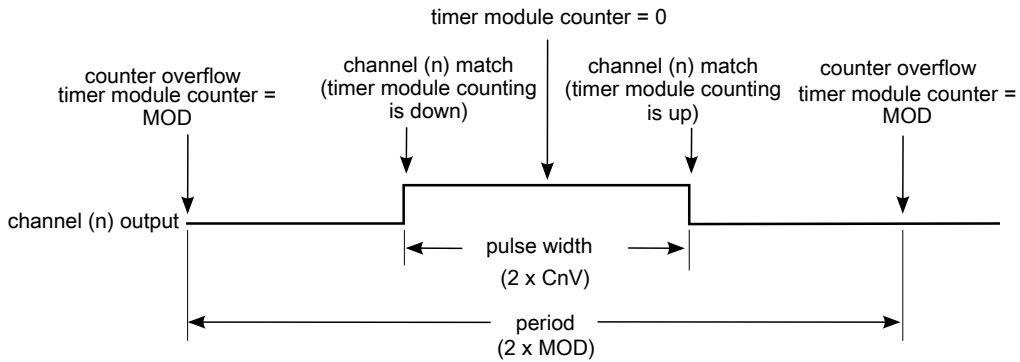


Figure 29-12. CPWM period and pulse width with ELSnB:ELSnA = 1:0

If (ELSnB:ELSnA = 0:0) when the TPM counter reaches the value in the CnV register, the CHnF bit is set and the channel (n) interrupt is generated (if CHnIE = 1), however the channel (n) output is not controlled by TPM.

If (ELSnB:ELSnA = 1:0), then the channel (n) output is forced high at the channel (n) match (TPM counter = CnV) when counting down, and it is forced low at the channel (n) match when counting up (see the following figure).

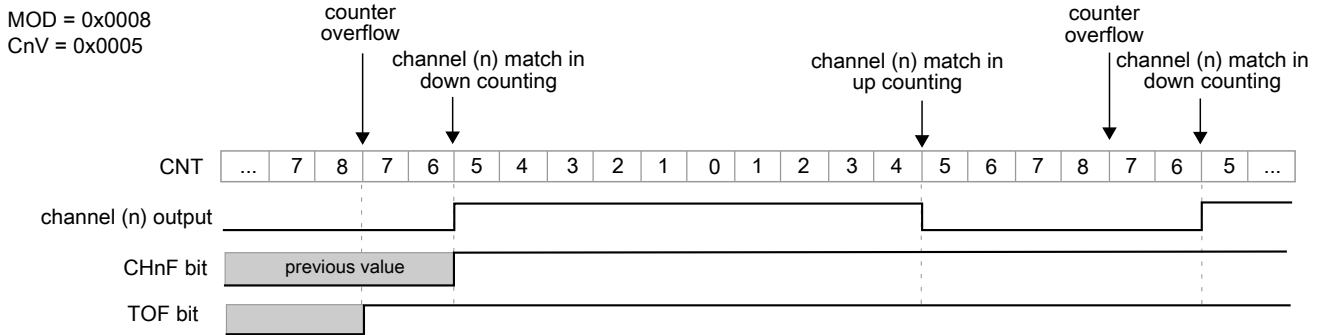


Figure 29-13. CPWM signal with ELSnB:ELSnA = 1:0

If (ELSnB:ELSnA = X:1), then the channel (n) output is forced low at the channel (n) match (TPM counter = CnV) when counting down, and it is forced high at the channel (n) match when counting up (see the following figure).

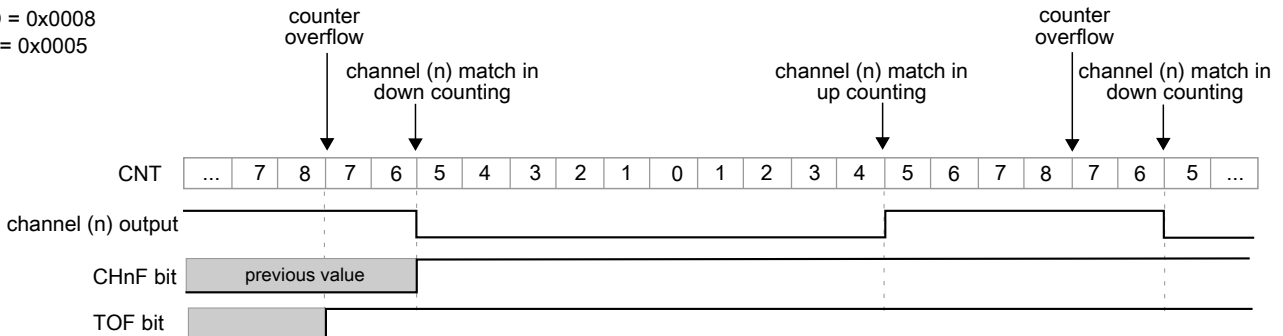


Figure 29-14. CPWM signal with ELSnB:ELSnA = X:1

If ($CnV = 0x0000$) then the channel (n) output is a 0% duty cycle CPWM signal.

If ($CnV > MOD$), then the channel (n) output is a 100% duty cycle CPWM signal, although the $CHnF$ bit is set when the counter changes from incrementing to decrementing. Therefore, MOD must be less than $0xFFFF$ in order to get a 100% duty cycle CPWM signal.

29.5.8 Registers Updated from Write Buffers

29.5.8.1 MOD Register Update

If ($CMOD[1:0] = 0:0$) then MOD register is updated when MOD register is written.

If ($CMOD[1:0] \neq 0:0$), then MOD register is updated according to the $CPWMS$ bit, that is:

- If the selected mode is not CPWM then MOD register is updated after MOD register was written and the TPM counter changes from MOD to zero.
- If the selected mode is CPWM then MOD register is updated after MOD register was written and the TPM counter changes from MOD to $(MOD - 1)$.

29.5.8.2 CnV Register Update

If ($CMOD[1:0] = 0:0$) then CnV register is updated when CnV register is written.

If ($CMOD[1:0] \neq 0:0$), then CnV register is updated according to the selected mode, that is:

- If the selected mode is output compare then CnV register is updated on the next TPM counter increment (end of the prescaler counting) after CnV register was written.
- If the selected mode is EPWM then CnV register is updated after CnV register was written and the TPM counter changes from MOD to zero.
- If the selected mode is CPWM then CnV register is updated after CnV register was written and the TPM counter changes from MOD to $(MOD - 1)$.

29.5.9 DMA

The channel and overflow flags generate a DMA transfer request according to DMA and CHnIE/TOIE bits.

See the following table for more information.

Table 29-6. DMA Transfer Request

DMA	CHnIE/ TOIE	Channel/Overflow DMA Transfer Request	Channel/Overflow Interrupt
0	0	The channel/overflow DMA transfer request is not generated.	The channel/overflow interrupt is not generated.
0	1	The channel/overflow DMA transfer request is not generated.	The channel/overflow interrupt is generated if (CHnF/TOF = 1).
1	0	The channel/overflow DMA transfer request is generated if (CHnF/TOF = 1).	The channel/overflow interrupt is not generated.
1	1	The channel/overflow DMA transfer request is generated if (CHnF/TOF = 1).	The channel/overflow interrupt is generated if (CHnF/TOF = 1).

If DMA = 1, the CHnF/TOF bit can be cleared either by DMA transfer done or writing a one to CHnF/TOF bit (see the following table).

Table 29-7. Clear CHnF/TOF Bit

DMA	How CHnF/TOF Bit Can Be Cleared
0	CHnF/TOF bit is cleared by writing a 1 to CHnF/TOF bit.
1	CHnF/TOF bit is cleared either when the DMA transfer is done or by writing a 1 to CHnF/TOF bit.

29.5.10 Output triggers

The TPM generates output triggers for the counter and each channel that can be used to trigger events in other peripherals.

The counter trigger asserts whenever the TOF is set and remains asserted until the next increment.

Each TPM channel generates both a pre-trigger output and a trigger output. The pre-trigger output asserts whenever the CHnF is set, the trigger output asserts on the first counter increment after the pre-trigger asserts, and then both the trigger and pre-trigger negate on the first counter increment after the trigger asserts.

29.5.11 Reset Overview

The TPM is reset whenever any chip reset occurs.

When the TPM exits from reset:

- the TPM counter and the prescaler counter are zero and are stopped (CMOD[1:0] = 0:0);
- the timer overflow interrupt is zero;
- the channels interrupts are zero;
- the channels are in input capture mode;
- the channels outputs are zero;
- the channels pins are not controlled by TPM (ELS(n)B:ELS(n)A = 0:0).

29.5.12 TPM Interrupts

This section describes TPM interrupts.

29.5.12.1 Timer Overflow Interrupt

The timer overflow interrupt is generated when (TOIE = 1) and (TOF = 1).

29.5.12.2 Channel (n) Interrupt

The channel (n) interrupt is generated when (CHnIE = 1) and (CHnF = 1).

Chapter 30

Periodic Interrupt Timer (PIT)

30.1 Chip-specific PIT information

30.1.1 PIT/DMA periodic trigger assignments

The PIT generates periodic trigger events to the DMA channel mux as shown in this table.

Table 30-1. PIT channel assignments for periodic DMA triggering

PIT channel	DMA channel number
PIT Channel 0	DMA Channel 0
PIT Channel 1	DMA Channel 1

30.1.2 PIT/ADC triggers

PIT triggers are selected as ADCx trigger sources using the bits of SIM_SOPT7[ADCxTRGSEL]. For more details, see the [SIM](#) chapter.

30.1.3 PIT/TPM triggers

PIT triggers are selected as TPMx trigger sources using the TPMx_CONF[TRGSEL] bits in the TPM module. For more details, refer to TPM chapter.

30.1.4 PIT/DAC triggers

PIT Channel 0 is configured as the DAC hardware trigger source. For more details, see the [DAC](#) chapter.

30.2 Introduction

The PIT module is an array of timers that can be used to raise interrupts and trigger DMA channels.

30.2.1 Block diagram

The following figure shows the block diagram of the PIT module.

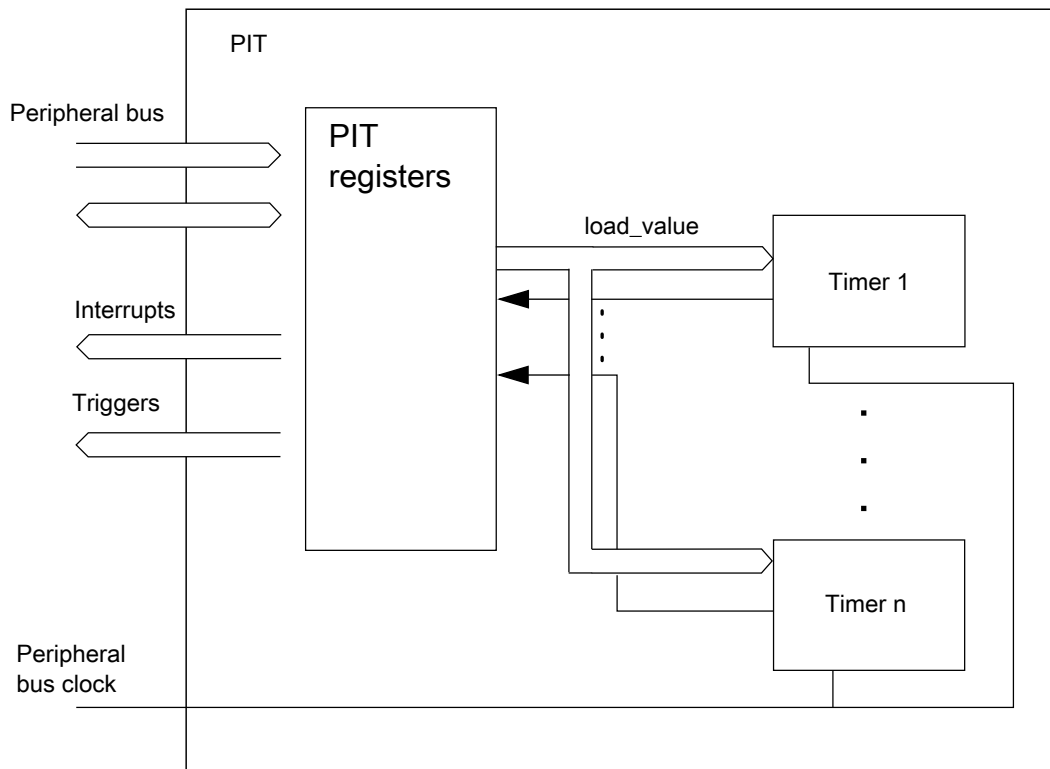


Figure 30-1. Block diagram of the PIT

NOTE

See the chip-specific PIT information for the number of PIT channels used in this MCU.

30.2.2 Features

The main features of this block are:

- Ability of timers to generate DMA trigger pulses
- Ability of timers to generate interrupts
- Maskable interrupts
- Independent timeout periods for each timer

30.3 Signal description

The PIT module has no external pins.

30.4 Memory map/register description

This section provides a detailed description of all registers accessible in the PIT module.

- Reserved registers will read as 0, writes will have no effect.
- See the chip-specific PIT information for the number of PIT channels used in this MCU.

PIT memory map

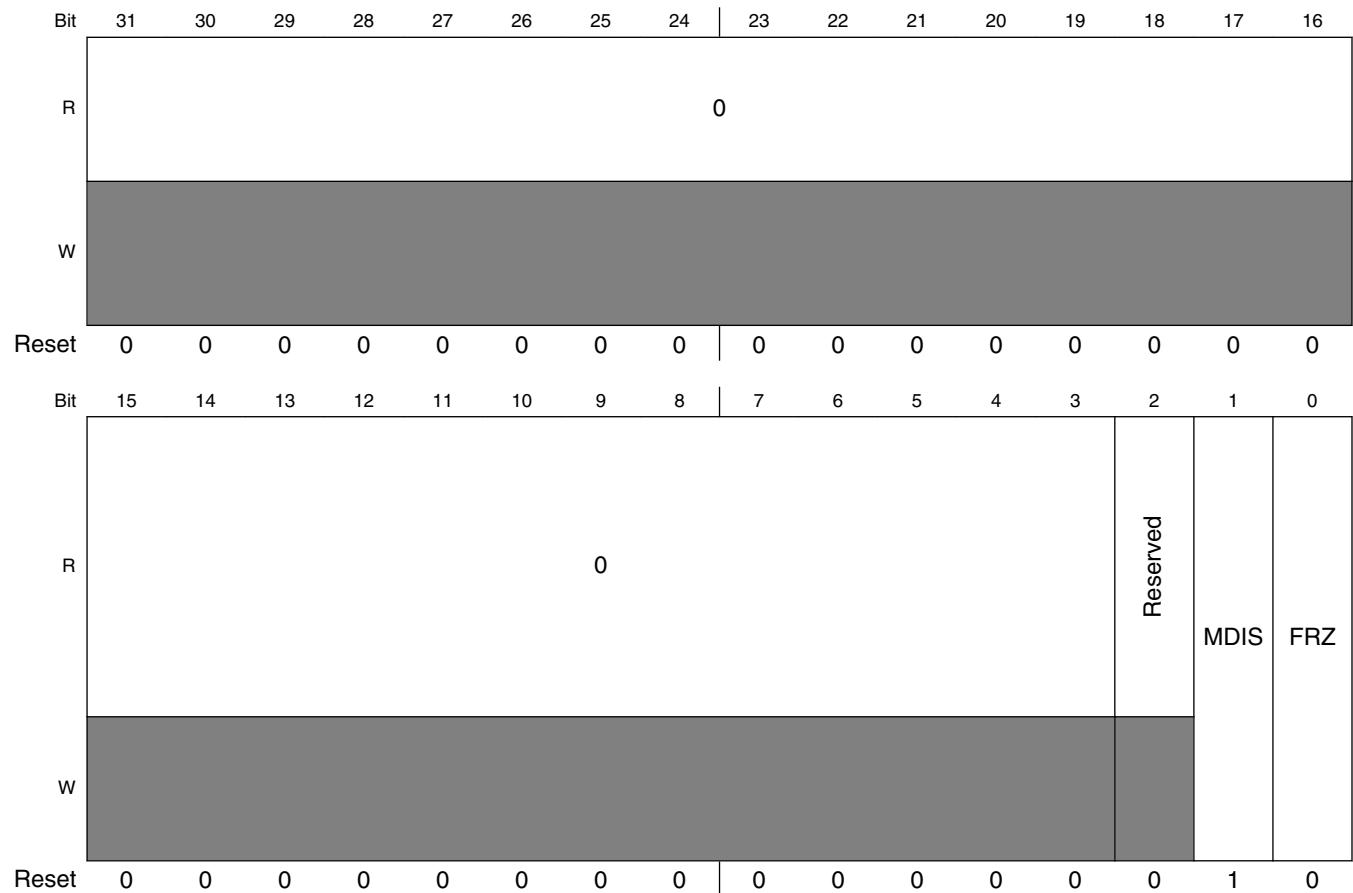
Absolute address (hex)	Register name	Width (in bits)	Access	Reset value	Section/page
4003_7000	PIT Module Control Register (PIT_MCR)	32	R/W	0000_0002h	30.4.1/504
4003_70E0	PIT Upper Lifetime Timer Register (PIT_LTMR64H)	32	R	0000_0000h	30.4.2/505
4003_70E4	PIT Lower Lifetime Timer Register (PIT_LTMR64L)	32	R	0000_0000h	30.4.3/505
4003_7100	Timer Load Value Register (PIT_LDVAL0)	32	R/W	0000_0000h	30.4.4/506
4003_7104	Current Timer Value Register (PIT_CVAL0)	32	R	0000_0000h	30.4.5/506
4003_7108	Timer Control Register (PIT_TCTRL0)	32	R/W	0000_0000h	30.4.6/507
4003_710C	Timer Flag Register (PIT_TFLG0)	32	R/W	0000_0000h	30.4.7/508
4003_7110	Timer Load Value Register (PIT_LDVAL1)	32	R/W	0000_0000h	30.4.4/506
4003_7114	Current Timer Value Register (PIT_CVAL1)	32	R	0000_0000h	30.4.5/506
4003_7118	Timer Control Register (PIT_TCTRL1)	32	R/W	0000_0000h	30.4.6/507
4003_711C	Timer Flag Register (PIT_TFLG1)	32	R/W	0000_0000h	30.4.7/508

30.4.1 PIT Module Control Register (PIT_MCR)

This register enables or disables the PIT timer clocks and controls the timers when the PIT enters the Debug mode.

Access: User read/write

Address: 4003_7000h base + 0h offset = 4003_7000h



PIT_MCR field descriptions

Field	Description
31–3 Reserved	This field is reserved. This read-only field is reserved and always has the value 0.
2 Reserved	This field is reserved.
1 MDIS	Module Disable - (PIT section) Disables the standard timers. This field must be enabled before any other setup is done. 0 Clock for standard PIT timers is enabled. 1 Clock for standard PIT timers is disabled.

Table continues on the next page...

PIT_MCR field descriptions (continued)

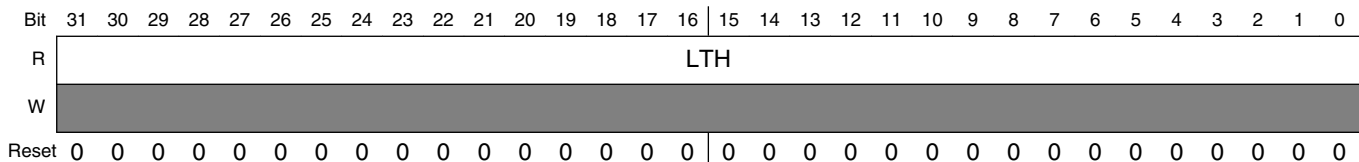
Field	Description
0 FRZ	Freeze Allows the timers to be stopped when the device enters the Debug mode. 0 Timers continue to run in Debug mode. 1 Timers are stopped in Debug mode.

30.4.2 PIT Upper Lifetime Timer Register (PIT_LTMR64H)

This register is intended for applications that chain timer 0 and timer 1 to build a 64-bit lifetimer.

Access: User read only

Address: 4003_7000h base + E0h offset = 4003_70E0h

**PIT_LTMR64H field descriptions**

Field	Description
LTH	Life Timer value Shows the timer value of timer 1. If this register is read at a time t1, LTMR64L shows the value of timer 0 at time t1.

30.4.3 PIT Lower Lifetime Timer Register (PIT_LTMR64L)

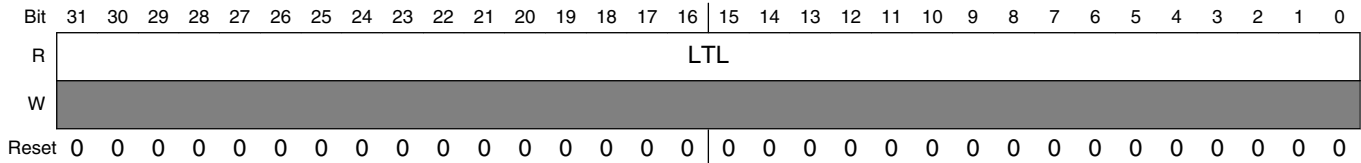
This register is intended for applications that chain timer 0 and timer 1 to build a 64-bit lifetimer.

To use LTMR64H and LTMR64L, timer 0 and timer 1 need to be chained. To obtain the correct value, first read LTMR64H and then LTMR64L. LTMR64H will have the value of CVAL1 at the time of the first access, LTMR64L will have the value of CVAL0 at the time of the first access, therefore the application does not need to worry about carry-over effects of the running counter.

Access: User read only

Memory map/register description

Address: 4003_7000h base + E4h offset = 4003_70E4h



PIT_LTMR64L field descriptions

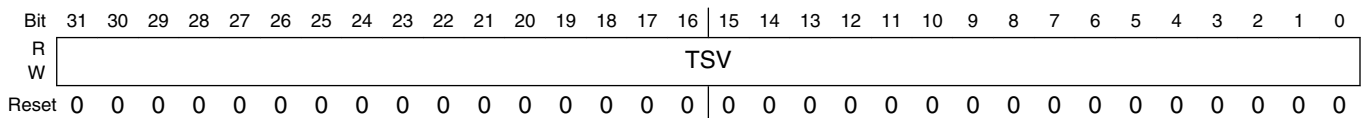
Field	Description
LTL	Life Timer value Shows the value of timer 0 at the time LTMR64H was last read. It will only update if LTMR64H is read.

30.4.4 Timer Load Value Register (PIT_LDVALn)

These registers select the timeout period for the timer interrupts.

Access: User read/write

Address: 4003_7000h base + 100h offset + (16d × i), where i=0d to 1d



PIT_LDVALn field descriptions

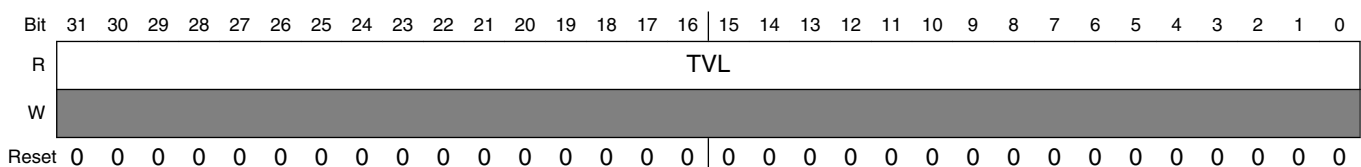
Field	Description
TSV	Timer Start Value Sets the timer start value. The timer will count down until it reaches 0, then it will generate an interrupt and load this register value again. Writing a new value to this register will not restart the timer; instead the value will be loaded after the timer expires. To abort the current cycle and start a timer period with the new value, the timer must be disabled and enabled again.

30.4.5 Current Timer Value Register (PIT_CVALn)

These registers indicate the current timer position.

Access: User read only

Address: 4003_7000h base + 104h offset + (16d × i), where i=0d to 1d



PIT_CVAL_n field descriptions

Field	Description
TVL	<p>Current Timer Value</p> <p>Represents the current timer value, if the timer is enabled.</p> <p>NOTE:</p> <ul style="list-style-type: none"> If the timer is disabled, do not use this field as its value is unreliable. The timer uses a downcounter. The timer values are frozen in Debug mode if MCR[FRZ] is set.

30.4.6 Timer Control Register (PIT_TCTRL_n)

These registers contain the control bits for each timer.

Access: User read/write

Address: 4003_7000h base + 108h offset + (16d × i), where i=0d to 1d

Bit	31	30	29	28	27	26	25	24	23	22	21	20	19	18	17	16
R	0															
W																
Reset	0	0	0	0	0	0	0	0	0	0	0	0	0	0	0	0
Bit	15	14	13	12	11	10	9	8	7	6	5	4	3	2	1	0
R	0													CHN	TIE	TEN
W																
Reset	0	0	0	0	0	0	0	0	0	0	0	0	0	0	0	0

PIT_TCTRL_n field descriptions

Field	Description
31–3 Reserved	<p>This field is reserved.</p> <p>This read-only field is reserved and always has the value 0.</p>
2 CHN	<p>Chain Mode</p> <p>When activated, Timer n-1 needs to expire before timer n can decrement by 1.</p> <p>Timer 0 cannot be chained.</p> <p>0 Timer is not chained. 1 Timer is chained to previous timer. For example, for Channel 2, if this field is set, Timer 2 is chained to Timer 1.</p>
1 TIE	<p>Timer Interrupt Enable</p> <p>When an interrupt is pending, or, TFLGn[TIF] is set, enabling the interrupt will immediately cause an interrupt event. To avoid this, the associated TFLGn[TIF] must be cleared first.</p> <p>0 Interrupt requests from Timer n are disabled. 1 Interrupt will be requested whenever TIF is set.</p>
0 TEN	<p>Timer Enable</p> <p>Enables or disables the timer.</p>

Table continues on the next page...

PIT_TCTRLn field descriptions (continued)

Field	Description
0	Timer n is disabled.
1	Timer n is enabled.

30.4.7 Timer Flag Register (PIT_TFLGn)

These registers hold the PIT interrupt flags.

Access: User read/write

Address: 4003_7000h base + 10Ch offset + (16d × i), where i=0d to 1d

Bit	31	30	29	28	27	26	25	24	23	22	21	20	19	18	17	16
R	0															
W	[Shaded]															
Reset	0	0	0	0	0	0	0	0	0	0	0	0	0	0	0	0
Bit	15	14	13	12	11	10	9	8	7	6	5	4	3	2	1	0
R	0															TIF
W	[Shaded]															w1c
Reset	0	0	0	0	0	0	0	0	0	0	0	0	0	0	0	0

PIT_TFLGn field descriptions

Field	Description
31–1 Reserved	This field is reserved. This read-only field is reserved and always has the value 0.
0 TIF	Timer Interrupt Flag Sets to 1 at the end of the timer period. Writing 1 to this flag clears it. Writing 0 has no effect. If enabled, or, when TCTRLn[TIE] = 1, TIF causes an interrupt request. 0 Timeout has not yet occurred. 1 Timeout has occurred.

30.5 Functional description

This section provides the functional description of the module.

30.5.1 General operation

This section gives detailed information on the internal operation of the module. Each timer can be used to generate trigger pulses and interrupts. Each interrupt is available on a separate interrupt line.

30.5.1.1 Timers

The timers generate triggers at periodic intervals, when enabled. The timers load the start values as specified in their LDVAL registers, count down to 0 and then load the respective start value again. Each time a timer reaches 0, it will generate a trigger pulse and set the interrupt flag.

All interrupts can be enabled or masked by setting TCTRLn[TIE]. A new interrupt can be generated only after the previous one is cleared.

If desired, the current counter value of the timer can be read via the CVAL registers.

The counter period can be restarted, by first disabling, and then enabling the timer with TCTRLn[TEN]. See the following figure.

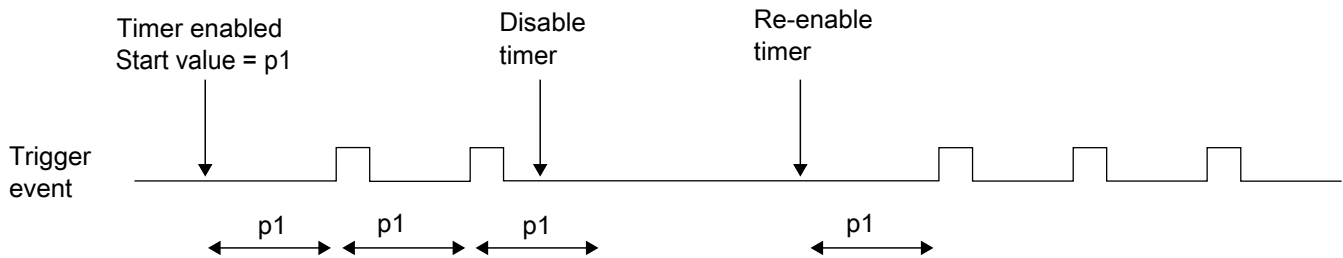


Figure 30-2. Stopping and starting a timer

The counter period of a running timer can be modified, by first disabling the timer, setting a new load value, and then enabling the timer again. See the following figure.

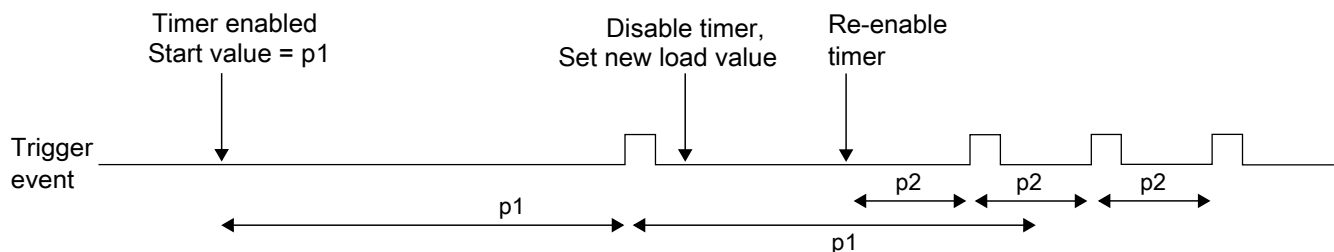


Figure 30-3. Modifying running timer period

It is also possible to change the counter period without restarting the timer by writing LDVAL with the new load value. This value will then be loaded after the next trigger event. See the following figure.

Initialization and application information

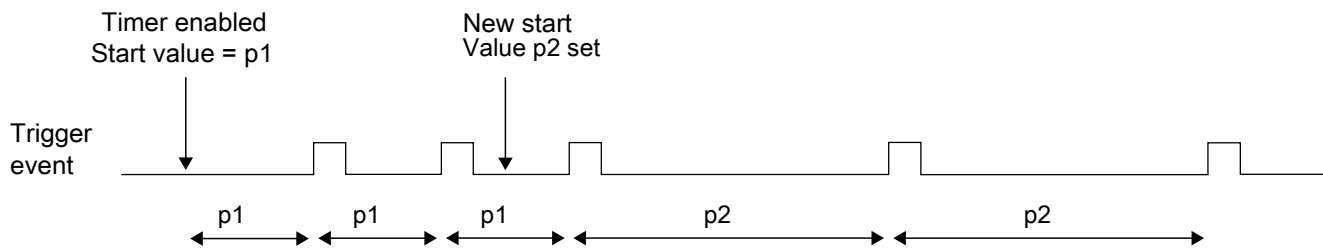


Figure 30-4. Dynamically setting a new load value

30.5.1.2 Debug mode

In Debug mode, the timers will be frozen based on MCR[FRZ]. This is intended to aid software development, allowing the developer to halt the processor, investigate the current state of the system, for example, the timer values, and then continue the operation.

30.5.2 Interrupts

All the timers support interrupt generation. See the MCU specification for related vector addresses and priorities.

Timer interrupts can be enabled by setting TCTRLn[TIE]. TFLGn[TIF] are set to 1 when a timeout occurs on the associated timer, and are cleared to 0 by writing a 1 to the corresponding TFLGn[TIF].

30.5.3 Chained timers

When a timer has chain mode enabled, it will only count after the previous timer has expired. So if timer $n-1$ has counted down to 0, counter n will decrement the value by one. This allows to chain some of the timers together to form a longer timer. The first timer (timer 0) cannot be chained to any other timer.

30.6 Initialization and application information

In the example configuration:

- The PIT clock has a frequency of 50 MHz.

- Timer 1 creates an interrupt every 5.12 ms.
- Timer 3 creates a trigger event every 30 ms.

The PIT module must be activated by writing a 0 to MCR[MDIS].

The 50 MHz clock frequency equates to a clock period of 20 ns. Timer 1 needs to trigger every $5.12 \text{ ms} / 20 \text{ ns} = 256,000$ cycles and Timer 3 every $30 \text{ ms} / 20 \text{ ns} = 1,500,000$ cycles. The value for the LDVAL register trigger is calculated as:

$\text{LDVAL trigger} = (\text{period} / \text{clock period}) - 1$

This means LDVAL1 and LDVAL3 must be written with 0x0003E7FF and 0x0016E35F respectively.

The interrupt for Timer 1 is enabled by setting TCTRL1[TIE]. The timer is started by writing 1 to TCTRL1[TEN].

Timer 3 shall be used only for triggering. Therefore, Timer 3 is started by writing a 1 to TCTRL3[TEN]. TCTRL3[TIE] stays at 0.

The following example code matches the described setup:

```
// turn on PIT
PIT_MCR = 0x00;

// Timer 1
PIT_LDVAL1 = 0x0003E7FF; // setup timer 1 for 256000 cycles
PIT_TCTRL1 = TIE; // enable Timer 1 interrupts
PIT_TCTRL1 |= TEN; // start Timer 1

// Timer 3
PIT_LDVAL3 = 0x0016E35F; // setup timer 3 for 1500000 cycles
PIT_TCTRL3 |= TEN; // start Timer 3
```

30.7 Example configuration for chained timers

In the example configuration:

- The PIT clock has a frequency of 100 MHz.
- Timers 1 and 2 are available.
- An interrupt shall be raised every 1 minute.

The PIT module needs to be activated by writing a 0 to MCR[MDIS].

Example configuration for the lifetime timer

The 100 MHz clock frequency equates to a clock period of 10 ns, so the PIT needs to count for 6000 million cycles, which is more than a single timer can do. So, Timer 1 is set up to trigger every 6 s (600 million cycles). Timer 2 is chained to Timer 1 and programmed to trigger 10 times.

The value for the LDVAL register trigger is calculated as number of cycles-1, so LDVAL1 receives the value 0x23C345FF and LDVAL2 receives the value 0x00000009.

The interrupt for Timer 2 is enabled by setting TCTRL2[TIE], the Chain mode is activated by setting TCTRL2[CHN], and the timer is started by writing a 1 to TCTRL2[TEN]. TCTRL1[TEN] needs to be set, and TCTRL1[CHN] and TCTRL1[TIE] are cleared.

The following example code matches the described setup:

```
// turn on PIT
PIT_MCR = 0x00;

// Timer 2
PIT_LDVAL2 = 0x00000009; // setup Timer 2 for 10 counts
PIT_TCTRL2 = TIE; // enable Timer 2 interrupt
PIT_TCTRL2 |= CHN; // chain Timer 2 to Timer 1
PIT_TCTRL2 |= TEN; // start Timer 2

// Timer 1
PIT_LDVAL1 = 0x23C345FF; // setup Timer 1 for 600 000 000 cycles
PIT_TCTRL1 = TEN; // start Timer 1
```

30.8 Example configuration for the lifetime timer

To configure the lifetimer timer, channels 0 and 1 need to be chained together.

First the PIT module needs to be activated by writing a 0 to the MDIS bit in the CTRL register, then the LDVAL registers need to be set to the maximum value.

The timer is a downcounter.

The following example code matches the described setup:

```
// turn on PIT
PIT_MCR = 0x00;

// Timer 1
PIT_LDVAL1 = 0xFFFFFFFF; // setup timer 1 for maximum counting period
PIT_TCTRL1 = 0x0; // disable timer 1 interrupts
PIT_TCTRL1 |= CHN; // chain timer 1 to timer 0
PIT_TCTRL1 |= TEN; // start timer 1

// Timer 0
```



```
PIT_LDVAL0 = 0xFFFFFFFF; // setup timer 0 for maximum counting period
PIT_TCTRL0 = TEN; // start timer 0
```

To access the lifetime, read first LTMR64H and then LTMR64L.

```
current_uptime = PIT_LTMR64H<<32;
current_uptime = current_uptime + PIT_LTMR64L;
```


Chapter 31

Low-Power Timer (LPTMR)

31.1 Chip-specific LPTMR information

31.1.1 LPTMR instantiation information

The low-power timer (LPTMR) allows operation during all power modes. The LPTMR can operate as a real-time interrupt or pulse accumulator. It includes a 2^N prescaler (real-time interrupt mode) or glitch filter (pulse accumulator mode).

The LPTMR can be clocked from the internal reference clock, the internal 1 kHz LPO, OSCERCLK, or an external 32.768 kHz crystal.

An interrupt is generated (and the counter may reset) when the counter equals the value in the 16-bit compare register.

31.1.2 LPTMR pulse counter input options

LPTMR_CSR[TPS] configures the input source used in pulse counter mode. The following table shows the chip-specific input assignments for this field.

LPTMR_CSR[TPS]	Pulse counter input number	Chip input
00	0	CMP0 output
01	1	LPTMR_ALT1 pin
10	2	LPTMR_ALT2 pin
11	3	LPTMR_ALT3 pin

31.1.3 LPTMR prescaler/glitch filter clocking options

The prescaler and glitch filter of the LPTMR module can be clocked from one of four sources determined by LPTMR0_PSR[PCS]. The following table shows the chip-specific clock assignments for this field.

NOTE

The chosen clock must remain enabled if the LPTMR is to continue operating in all required low-power modes.

LPTMR0_PSR[PCS]	Prescaler/glitch filter clock number	Chip clock
00	0	MCGIRCLK—internal reference clock (not available in LLS and VLLS modes)
01	1	LPO—1 kHz clock (not available in VLLS0 mode)
10	2	ERCLK32K (not available in VLLS0 mode when using 32 kHz oscillator)
11	3	OSCERCLK—external reference clock (not available in VLLS0 mode)

See [Clock Distribution](#) for more details on these clocks.

31.2 Introduction

The low-power timer (LPTMR) can be configured to operate as a time counter with optional prescaler, or as a pulse counter with optional glitch filter, across all power modes, including the low-leakage modes. It can also continue operating through most system reset events, allowing it to be used as a time of day counter.

31.2.1 Features

The features of the LPTMR module include:

- 16-bit time counter or pulse counter with compare
 - Optional interrupt can generate asynchronous wakeup from any low-power mode
 - Hardware trigger output
 - Counter supports free-running mode or reset on compare
- Configurable clock source for prescaler/glitch filter
- Configurable input source for pulse counter
 - Rising-edge or falling-edge

31.2.2 Modes of operation

The following table describes the operation of the LPTMR module in various modes.

Table 31-1. Modes of operation

Modes	Description
Run	The LPTMR operates normally.
Wait	The LPTMR continues to operate normally and may be configured to exit the low-power mode by generating an interrupt request.
Stop	The LPTMR continues to operate normally and may be configured to exit the low-power mode by generating an interrupt request.
Low-Leakage	The LPTMR continues to operate normally and may be configured to exit the low-power mode by generating an interrupt request.
Debug	The LPTMR operates normally in Pulse Counter mode, but counter does not increment in Time Counter mode.

31.3 LPTMR signal descriptions

Table 31-2. LPTMR signal descriptions

Signal	I/O	Description
LPTMR0_ALT n	I	Pulse Counter Input pin

31.3.1 Detailed signal descriptions

Table 31-3. LPTMR interface—detailed signal descriptions

Signal	I/O	Description
LPTMR_ALT n	I	Pulse Counter Input The LPTMR can select one of the input pins to be used in Pulse Counter mode.
		State meaning Assertion—If configured for pulse counter mode with active-high input, then assertion causes the CNR to increment. Deassertion—If configured for pulse counter mode with active-low input, then deassertion causes the CNR to increment.
		Timing Assertion or deassertion may occur at any time; input may assert asynchronously to the bus clock.

31.4 Memory map and register definition

LPTMR memory map

Absolute address (hex)	Register name	Width (in bits)	Access	Reset value	Section/page
4004_0000	Low Power Timer Control Status Register (LPTMR0_CSR)	32	R/W	0000_0000h	31.4.1/518
4004_0004	Low Power Timer Prescale Register (LPTMR0_PSR)	32	R/W	0000_0000h	31.4.2/519
4004_0008	Low Power Timer Compare Register (LPTMR0_CMR)	32	R/W	0000_0000h	31.4.3/521
4004_000C	Low Power Timer Counter Register (LPTMR0_CNR)	32	R/W	0000_0000h	31.4.4/521

31.4.1 Low Power Timer Control Status Register (LPTMRx_CSR)

Address: 4004_0000h base + 0h offset = 4004_0000h

Bit	31	30	29	28	27	26	25	24	23	22	21	20	19	18	17	16
R	0															
W	[Shaded]															
Reset	0	0	0	0	0	0	0	0	0	0	0	0	0	0	0	0
Bit	15	14	13	12	11	10	9	8	7	6	5	4	3	2	1	0
R	0								TCF	TIE	TPS	TPP	TFC	TMS	TEN	
W	[Shaded]								w1c							
Reset	0	0	0	0	0	0	0	0	0	0	0	0	0	0	0	0

LPTMRx_CSR field descriptions

Field	Description
31–8 Reserved	This field is reserved. This read-only field is reserved and always has the value 0.
7 TCF	Timer Compare Flag TCF is set when the LPTMR is enabled and the CNR equals the CMR and increments. TCF is cleared when the LPTMR is disabled or a logic 1 is written to it. 0 The value of CNR is not equal to CMR and increments. 1 The value of CNR is equal to CMR and increments.
6 TIE	Timer Interrupt Enable When TIE is set, the LPTMR Interrupt is generated whenever TCF is also set. 0 Timer interrupt disabled. 1 Timer interrupt enabled.
5–4 TPS	Timer Pin Select

Table continues on the next page...

LPTMRx_CSR field descriptions (continued)

Field	Description
	<p>Configures the input source to be used in Pulse Counter mode. TPS must be altered only when the LPTMR is disabled. The input connections vary by device. See the for information on the connections to these inputs.</p> <p>00 Pulse counter input 0 is selected. 01 Pulse counter input 1 is selected. 10 Pulse counter input 2 is selected. 11 Pulse counter input 3 is selected.</p>
3 TPP	<p>Timer Pin Polarity</p> <p>Configures the polarity of the input source in Pulse Counter mode. TPP must be changed only when the LPTMR is disabled.</p> <p>0 Pulse Counter input source is active-high, and the CNR will increment on the rising-edge. 1 Pulse Counter input source is active-low, and the CNR will increment on the falling-edge.</p>
2 TFC	<p>Timer Free-Running Counter</p> <p>When clear, TFC configures the CNR to reset whenever TCF is set. When set, TFC configures the CNR to reset on overflow. TFC must be altered only when the LPTMR is disabled.</p> <p>0 CNR is reset whenever TCF is set. 1 CNR is reset on overflow.</p>
1 TMS	<p>Timer Mode Select</p> <p>Configures the mode of the LPTMR. TMS must be altered only when the LPTMR is disabled.</p> <p>0 Time Counter mode. 1 Pulse Counter mode.</p>
0 TEN	<p>Timer Enable</p> <p>When TEN is clear, it resets the LPTMR internal logic, including the CNR and TCF. When TEN is set, the LPTMR is enabled. While writing 1 to this field, CSR[5:1] must not be altered.</p> <p>0 LPTMR is disabled and internal logic is reset. 1 LPTMR is enabled.</p>

31.4.2 Low Power Timer Prescale Register (LPTMRx_PSR)

Address: 4004_0000h base + 4h offset = 4004_0004h

Bit	31	30	29	28	27	26	25	24	23	22	21	20	19	18	17	16
R	0															
W																
Reset	0	0	0	0	0	0	0	0	0	0	0	0	0	0	0	0
Bit	15	14	13	12	11	10	9	8	7	6	5	4	3	2	1	0
R	0								PRESCALE				PBYP	PCS		
W																
Reset	0	0	0	0	0	0	0	0	0	0	0	0	0	0	0	0

LPTMRx_PSR field descriptions

Field	Description
31–7 Reserved	This field is reserved. This read-only field is reserved and always has the value 0.
6–3 PRESCALE	<p>Prescaler Value</p> <p>Configures the size of the Prescaler in Time Counter mode or width of the glitch filter in Pulse Counter mode. PRESCALE must be altered only when the LPTMR is disabled.</p> <p>0000 Prescaler divides the prescaler clock by 2; glitch filter does not support this configuration.</p> <p>0001 Prescaler divides the prescaler clock by 4; glitch filter recognizes change on input pin after 2 rising clock edges.</p> <p>0010 Prescaler divides the prescaler clock by 8; glitch filter recognizes change on input pin after 4 rising clock edges.</p> <p>0011 Prescaler divides the prescaler clock by 16; glitch filter recognizes change on input pin after 8 rising clock edges.</p> <p>0100 Prescaler divides the prescaler clock by 32; glitch filter recognizes change on input pin after 16 rising clock edges.</p> <p>0101 Prescaler divides the prescaler clock by 64; glitch filter recognizes change on input pin after 32 rising clock edges.</p> <p>0110 Prescaler divides the prescaler clock by 128; glitch filter recognizes change on input pin after 64 rising clock edges.</p> <p>0111 Prescaler divides the prescaler clock by 256; glitch filter recognizes change on input pin after 128 rising clock edges.</p> <p>1000 Prescaler divides the prescaler clock by 512; glitch filter recognizes change on input pin after 256 rising clock edges.</p> <p>1001 Prescaler divides the prescaler clock by 1024; glitch filter recognizes change on input pin after 512 rising clock edges.</p> <p>1010 Prescaler divides the prescaler clock by 2048; glitch filter recognizes change on input pin after 1024 rising clock edges.</p> <p>1011 Prescaler divides the prescaler clock by 4096; glitch filter recognizes change on input pin after 2048 rising clock edges.</p> <p>1100 Prescaler divides the prescaler clock by 8192; glitch filter recognizes change on input pin after 4096 rising clock edges.</p> <p>1101 Prescaler divides the prescaler clock by 16,384; glitch filter recognizes change on input pin after 8192 rising clock edges.</p> <p>1110 Prescaler divides the prescaler clock by 32,768; glitch filter recognizes change on input pin after 16,384 rising clock edges.</p> <p>1111 Prescaler divides the prescaler clock by 65,536; glitch filter recognizes change on input pin after 32,768 rising clock edges.</p>
2 PBYP	<p>Prescaler Bypass</p> <p>When PBYP is set, the selected prescaler clock in Time Counter mode or selected input source in Pulse Counter mode directly clocks the CNR. When PBYP is clear, the CNR is clocked by the output of the prescaler/glitch filter. PBYP must be altered only when the LPTMR is disabled.</p> <p>0 Prescaler/glitch filter is enabled.</p> <p>1 Prescaler/glitch filter is bypassed.</p>
PCS	<p>Prescaler Clock Select</p> <p>Selects the clock to be used by the LPTMR prescaler/glitch filter. PCS must be altered only when the LPTMR is disabled. The clock connections vary by device.</p> <p>NOTE: See the chip configuration details for information on the connections to these inputs.</p>

Table continues on the next page...

LPTMRx_PSR field descriptions (continued)

Field	Description
00	Prescaler/glitch filter clock 0 selected.
01	Prescaler/glitch filter clock 1 selected.
10	Prescaler/glitch filter clock 2 selected.
11	Prescaler/glitch filter clock 3 selected.

31.4.3 Low Power Timer Compare Register (LPTMRx_CMCR)

Address: 4004_0000h base + 8h offset = 4004_0008h

Bit	31	30	29	28	27	26	25	24	23	22	21	20	19	18	17	16	15	14	13	12	11	10	9	8	7	6	5	4	3	2	1	0
R	0																COMPARE															
W	0																0															
Reset	0	0	0	0	0	0	0	0	0	0	0	0	0	0	0	0	0	0	0	0	0	0	0	0	0	0	0	0	0	0	0	0

LPTMRx_CMCR field descriptions

Field	Description
31–16 Reserved	This field is reserved. This read-only field is reserved and always has the value 0.
COMPARE	Compare Value When the LPTMR is enabled and the CNR equals the value in the CMR and increments, TCF is set and the hardware trigger asserts until the next time the CNR increments. If the CMR is 0, the hardware trigger will remain asserted until the LPTMR is disabled. If the LPTMR is enabled, the CMR must be altered only when TCF is set.

31.4.4 Low Power Timer Counter Register (LPTMRx_CNR)

NOTE

See [LPTMR counter](#) for details on how to read counter value.

Address: 4004_0000h base + Ch offset = 4004_000Ch

Bit	31	30	29	28	27	26	25	24	23	22	21	20	19	18	17	16	15	14	13	12	11	10	9	8	7	6	5	4	3	2	1	0
R	0																COUNTER															
W	0																0															
Reset	0	0	0	0	0	0	0	0	0	0	0	0	0	0	0	0	0	0	0	0	0	0	0	0	0	0	0	0	0	0	0	0

LPTMRx_CNR field descriptions

Field	Description
31–16 Reserved	This field is reserved. This read-only field is reserved and always has the value 0.

Table continues on the next page...

LPTMRx_CNR field descriptions (continued)

Field	Description
COUNTER	Counter Value The CNR returns the value of the LPTMR counter at the time this register was last written. Writing the CNR will latch the current value of the LPTMR for subsequent reading, the value written is ignored.

31.5 Functional description

31.5.1 LPTMR power and reset

The LPTMR remains powered in all power modes, including low-leakage modes. If the LPTMR is not required to remain operating during a low-power mode, then it must be disabled before entering the mode.

The LPTMR is reset only on global Power On Reset (POR) or Low Voltage Detect (LVD). When configuring the LPTMR registers, the CSR must be initially written with the timer disabled, before configuring the PSR and CMR. Then, CSR[TIE] must be set as the last step in the initialization. This ensures the LPTMR is configured correctly and the LPTMR counter is reset to zero following a warm reset.

31.5.2 LPTMR clocking

The LPTMR prescaler/glitch filter can be clocked by one of the four clocks. The clock source must be enabled before the LPTMR is enabled.

NOTE

The clock source selected need to be configured to remain enabled in low-power modes, otherwise the LPTMR will not operate during low-power modes.

In Pulse Counter mode with the prescaler/glitch filter bypassed, the selected input source directly clocks the CNR and no other clock source is required. To minimize power in this case, configure the prescaler clock source for a clock that is not toggling.

NOTE

The clock source or pulse input source selected for the LPTMR should not exceed the frequency f_{LPTMR} defined in the device datasheet.

31.5.3 LPTMR prescaler/glitch filter

The LPTMR prescaler and glitch filter share the same logic which operates as a prescaler in Time Counter mode and as a glitch filter in Pulse Counter mode.

NOTE

The prescaler/glitch filter configuration must not be altered when the LPTMR is enabled.

31.5.3.1 Prescaler enabled

In Time Counter mode, when the prescaler is enabled, the output of the prescaler directly clocks the CNR. When the LPTMR is enabled, the CNR will increment every 2^2 to 2^{16} prescaler clock cycles. After the LPTMR is enabled, the first increment of the CNR will take an additional one or two prescaler clock cycles due to synchronization logic.

31.5.3.2 Prescaler bypassed

In Time Counter mode, when the prescaler is bypassed, the selected prescaler clock increments the CNR on every clock cycle. When the LPTMR is enabled, the first increment will take an additional one or two prescaler clock cycles due to synchronization logic.

31.5.3.3 Glitch filter

In Pulse Counter mode, when the glitch filter is enabled, the output of the glitch filter directly clocks the CNR. When the LPTMR is first enabled, the output of the glitch filter is asserted, that is, logic 1 for active-high and logic 0 for active-low. The following table shows the change in glitch filter output with the selected input source.

If	Then
The selected input source remains deasserted for at least 2^1 to 2^{15} consecutive prescaler clock rising edges	The glitch filter output will also deassert.
The selected input source remains asserted for at least 2^1 to 2^{15} consecutive prescaler clock rising-edges	The glitch filter output will also assert.

NOTE

The input is only sampled on the rising clock edge.

The CNR will increment each time the glitch filter output asserts. In Pulse Counter mode, the maximum rate at which the CNR can increment is once every 2^2 to 2^{16} prescaler clock edges. When first enabled, the glitch filter will wait an additional one or two prescaler clock edges due to synchronization logic.

31.5.3.4 Glitch filter bypassed

In Pulse Counter mode, when the glitch filter is bypassed, the selected input source increments the CNR every time it asserts. Before the LPTMR is first enabled, the selected input source is forced to be asserted. This prevents the CNR from incrementing if the selected input source is already asserted when the LPTMR is first enabled.

31.5.4 LPTMR compare

When the CNR equals the value of the CMR and increments, the following events occur:

- CSR[TCF] is set.
- LPTMR interrupt is generated if CSR[TIE] is also set.
- LPTMR hardware trigger is generated.
- CNR is reset if CSR[TFC] is clear.

When the LPTMR is enabled, the CMR can be altered only when CSR[TCF] is set. When updating the CMR, the CMR must be written and CSR[TCF] must be cleared before the LPTMR counter has incremented past the new LPTMR compare value.

31.5.5 LPTMR counter

The CNR increments by one on every:

- Prescaler clock in Time Counter mode with prescaler bypassed
- Prescaler output in Time Counter mode with prescaler enabled
- Input source assertion in Pulse Counter mode with glitch filter bypassed
- Glitch filter output in Pulse Counter mode with glitch filter enabled

The CNR is reset when the LPTMR is disabled or if the counter register overflows. If CSR[TFC] is cleared, then the CNR is also reset whenever CSR[TCF] is set.

The CNR continues incrementing when the core is halted in Debug mode when configured for Pulse Counter mode, the CNR will stop incrementing when the core is halted in Debug mode when configured for Time Counter mode.

The CNR cannot be initialized, but can be read at any time. On each read of the CNR, software must first write to the CNR with any value. This will synchronize and register the current value of the CNR into a temporary register. The contents of the temporary register are returned on each read of the CNR.

When reading the CNR, the bus clock must be at least two times faster than the rate at which the LPTMR counter is incrementing, otherwise incorrect data may be returned.

31.5.6 LPTMR hardware trigger

The LPTMR hardware trigger asserts at the same time the CSR[TCF] is set and can be used to trigger hardware events in other peripherals without software intervention. The hardware trigger is always enabled.

When	Then
The CMR is set to 0 with CSR[TFC] clear	The LPTMR hardware trigger will assert on the first compare and does not deassert.
The CMR is set to a nonzero value, or, if CSR[TFC] is set	The LPTMR hardware trigger will assert on each compare and deassert on the following increment of the CNR.

31.5.7 LPTMR interrupt

The LPTMR interrupt is generated whenever CSR[TIE] and CSR[TCF] are set. CSR[TCF] is cleared by disabling the LPTMR or by writing a logic 1 to it.

CSR[TIE] can be altered and CSR[TCF] can be cleared while the LPTMR is enabled.

The LPTMR interrupt is generated asynchronously to the system clock and can be used to generate a wakeup from any low-power mode, including the low-leakage modes, provided the LPTMR is enabled as a wakeup source.

Chapter 32

Real Time Clock (RTC)

32.1 Chip-specific RTC information

32.1.1 RTC Instantiation Information

RTC prescaler is clocked by ERCLK32K.

RTC is reset on POR Only.

RTC_CR[OSCE] can override the configuration of the System OSC, configuring the OSC for 32 kHz crystal operation in all power modes except VLLS0, and through any System Reset. When OSCE is enabled, the RTC also overrides the capacitor configurations. So make sure to use low-range crystal (30KHz - 40KHz) when using RTC_CR to configure the OSC.

32.1.2 RTC_CLKOUT options

RTC_CLKOUT pin can be driven either with the RTC 1 Hz output or with the OSCERCLK on-chip clock source. Control for this option is through SIM_SOPT2[RTCCLKOUTSEL].

When SIM_SOPT2[RTCCLKOUTSEL] = 0, the RTC 1 Hz clock is output on the RTC_CLKOUT pin. When SIM_SOPT2[RTCCLKOUTSEL] = 1, OSCERCLK clock is output on the RTC_CLKOUT pin.

32.2 Introduction

32.2.1 Features

The RTC module features include:

- 32-bit seconds counter with roll-over protection and 32-bit alarm
- 16-bit prescaler with compensation that can correct errors between 0.12 ppm and 3906 ppm
- Register write protection
 - Lock register requires POR or software reset to enable write access
- 1 Hz square wave output with optional interrupt

32.2.2 Modes of operation

The RTC remains functional in all low power modes and can generate an interrupt to exit any low power mode.

32.2.3 RTC signal descriptions

Table 32-1. RTC signal descriptions

Signal	Description	I/O
RTC_CLKOUT	1 Hz square-wave output or OSCERCLK	O

32.2.3.1 RTC clock output

The clock to the seconds counter is available on the RTC_CLKOUT signal. It is a 1 Hz square wave output. See [RTC_CLKOUT options](#) for details.

32.3 Register definition

All registers must be accessed using 32-bit writes and all register accesses incur three wait states.

Write accesses to any register by non-supervisor mode software, when the supervisor access bit in the control register is clear, will terminate with a bus error.

Read accesses by non-supervisor mode software complete as normal.

Writing to a register protected by the lock register does not generate a bus error, but the write will not complete.

RTC memory map

Absolute address (hex)	Register name	Width (in bits)	Access	Reset value	Section/page
4003_D000	RTC Time Seconds Register (RTC_TSR)	32	R/W	0000_0000h	32.3.1/529
4003_D004	RTC Time Prescaler Register (RTC_TPR)	32	R/W	0000_0000h	32.3.2/529
4003_D008	RTC Time Alarm Register (RTC_TAR)	32	R/W	0000_0000h	32.3.3/530
4003_D00C	RTC Time Compensation Register (RTC_TCR)	32	R/W	0000_0000h	32.3.4/530
4003_D010	RTC Control Register (RTC_CR)	32	R/W	0000_0000h	32.3.5/532
4003_D014	RTC Status Register (RTC_SR)	32	R/W	0000_0001h	32.3.6/534
4003_D018	RTC Lock Register (RTC_LR)	32	R/W	0000_00FFh	32.3.7/535
4003_D01C	RTC Interrupt Enable Register (RTC_IER)	32	R/W	0000_0007h	32.3.8/536

32.3.1 RTC Time Seconds Register (RTC_TSR)

Address: 4003_D000h base + 0h offset = 4003_D000h

Bit	31	30	29	28	27	26	25	24	23	22	21	20	19	18	17	16	15	14	13	12	11	10	9	8	7	6	5	4	3	2	1	0
R	TSR																															
W																	TSR															
Reset	0	0	0	0	0	0	0	0	0	0	0	0	0	0	0	0	0	0	0	0	0	0	0	0	0	0	0	0	0	0	0	0

RTC_TSR field descriptions

Field	Description
TSR	Time Seconds Register When the time counter is enabled, the TSR is read only and increments once a second provided SR[TOF] or SR[TIF] are not set. The time counter will read as zero when SR[TOF] or SR[TIF] are set. When the time counter is disabled, the TSR can be read or written. Writing to the TSR when the time counter is disabled will clear the SR[TOF] and/or the SR[TIF]. Writing to TSR with zero is supported, but not recommended because TSR will read as zero when SR[TIF] or SR[TOF] are set (indicating the time is invalid).

32.3.2 RTC Time Prescaler Register (RTC_TPR)

Address: 4003_D000h base + 4h offset = 4003_D004h

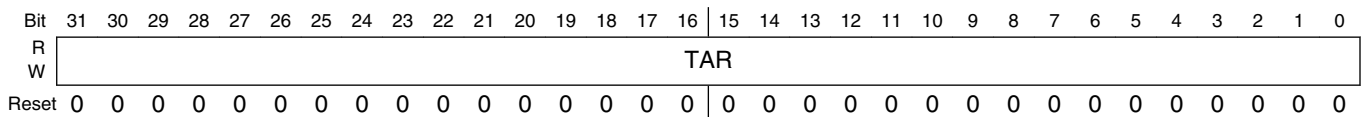
Bit	31	30	29	28	27	26	25	24	23	22	21	20	19	18	17	16	15	14	13	12	11	10	9	8	7	6	5	4	3	2	1	0
R	0																TPR															
W	0																TPR															
Reset	0	0	0	0	0	0	0	0	0	0	0	0	0	0	0	0	0	0	0	0	0	0	0	0	0	0	0	0	0	0	0	0

RTC_TPR field descriptions

Field	Description
31–16 Reserved	This field is reserved. This read-only field is reserved and always has the value 0.
TPR	Time Prescaler Register When the time counter is enabled, the TPR is read only and increments every 32.768 kHz clock cycle. The time counter will read as zero when SR[TOF] or SR[TIF] are set. When the time counter is disabled, the TPR can be read or written. The TSR[TSR] increments when bit 14 of the TPR transitions from a logic one to a logic zero.

32.3.3 RTC Time Alarm Register (RTC_TAR)

Address: 4003_D000h base + 8h offset = 4003_D008h

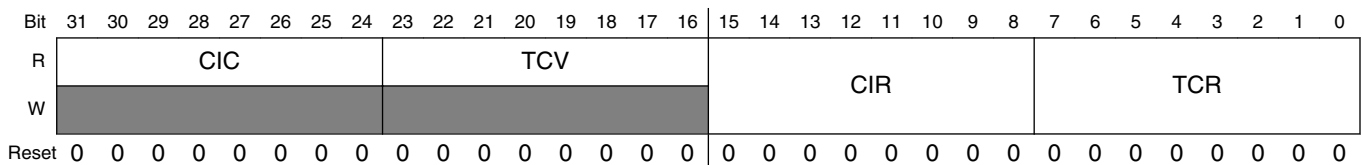


RTC_TAR field descriptions

Field	Description
TAR	Time Alarm Register When the time counter is enabled, the SR[TAF] is set whenever the TAR[TAR] equals the TSR[TSR] and the TSR[TSR] increments. Writing to the TAR clears the SR[TAF].

32.3.4 RTC Time Compensation Register (RTC_TCR)

Address: 4003_D000h base + Ch offset = 4003_D00Ch



RTC_TCR field descriptions

Field	Description
31–24 CIC	Compensation Interval Counter Current value of the compensation interval counter. If the compensation interval counter equals zero then it is loaded with the contents of the CIR. If the CIC does not equal zero then it is decremented once a second.
23–16 TCV	Time Compensation Value

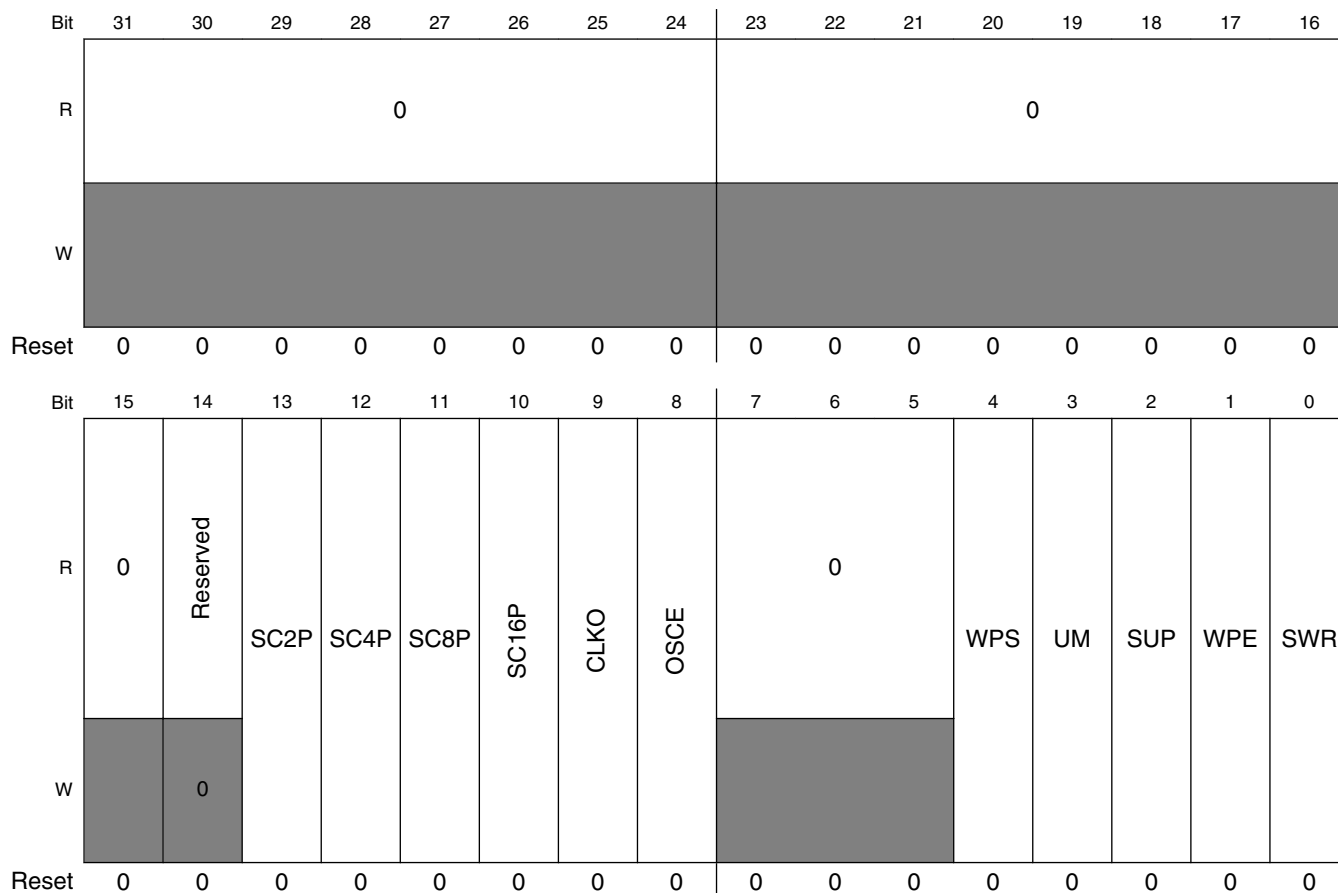
Table continues on the next page...

RTC_TCR field descriptions (continued)

Field	Description
	Current value used by the compensation logic for the present second interval. Updated once a second if the CIC equals 0 with the contents of the TCR field. If the CIC does not equal zero then it is loaded with zero (compensation is not enabled for that second increment).
15–8 CIR	<p>Compensation Interval Register</p> <p>Configures the compensation interval in seconds from 1 to 256 to control how frequently the TCR should adjust the number of 32.768 kHz cycles in each second. The value written should be one less than the number of seconds. For example, write zero to configure for a compensation interval of one second. This register is double buffered and writes do not take affect until the end of the current compensation interval.</p>
TCR	<p>Time Compensation Register</p> <p>Configures the number of 32.768 kHz clock cycles in each second. This register is double buffered and writes do not take affect until the end of the current compensation interval.</p> <p>80h Time Prescaler Register overflows every 32896 clock cycles. FFh Time Prescaler Register overflows every 32769 clock cycles. 00h Time Prescaler Register overflows every 32768 clock cycles. 01h Time Prescaler Register overflows every 32767 clock cycles. 7Fh Time Prescaler Register overflows every 32641 clock cycles.</p>

32.3.5 RTC Control Register (RTC_CR)

Address: 4003_D000h base + 10h offset = 4003_D010h



RTC_CR field descriptions

Field	Description
31–24 Reserved	This field is reserved. This read-only field is reserved and always has the value 0.
23–15 Reserved	This field is reserved. This read-only field is reserved and always has the value 0.
14 Reserved	This field is reserved. It must always be written to 0.
13 SC2P	Oscillator 2pF Load Configure 0 Disable the load. 1 Enable the additional load.
12 SC4P	Oscillator 4pF Load Configure 0 Disable the load. 1 Enable the additional load.

Table continues on the next page...

RTC_CR field descriptions (continued)

Field	Description
11 SC8P	Oscillator 8pF Load Configure 0 Disable the load. 1 Enable the additional load.
10 SC16P	Oscillator 16pF Load Configure 0 Disable the load. 1 Enable the additional load.
9 CLKO	Clock Output 0 The 32 kHz clock is output to other peripherals. 1 The 32 kHz clock is not output to other peripherals.
8 OSCE	Oscillator Enable 0 32.768 kHz oscillator is disabled. 1 32.768 kHz oscillator is enabled. After setting this bit, wait the oscillator startup time before enabling the time counter to allow the 32.768 kHz clock time to stabilize.
7–5 Reserved	This field is reserved. This read-only field is reserved and always has the value 0.
4 WPS	Wakeup Pin Select The wakeup pin is optional and not available on all devices. 0 Wakeup pin asserts (active low, open drain) if the RTC interrupt asserts or the wakeup pin is turned on. 1 Wakeup pin instead outputs the RTC 32kHz clock, provided the wakeup pin is turned on and the 32kHz clock is output to other peripherals.
3 UM	Update Mode Allows SR[TCE] to be written even when the Status Register is locked. When set, the SR[TCE] can always be written if the SR[TIF] or SR[TOF] are set or if the SR[TCE] is clear. 0 Registers cannot be written when locked. 1 Registers can be written when locked under limited conditions.
2 SUP	Supervisor Access 0 Non-supervisor mode write accesses are not supported and generate a bus error. 1 Non-supervisor mode write accesses are supported.
1 WPE	Wakeup Pin Enable The wakeup pin is optional and not available on all devices. 0 Wakeup pin is disabled. 1 Wakeup pin is enabled and wakeup pin asserts if the RTC interrupt asserts or the wakeup pin is turned on.
0 SWR	Software Reset 0 No effect. 1 Resets all RTC registers except for the SWR bit . The SWR bit is cleared by POR and by software explicitly clearing it.

32.3.6 RTC Status Register (RTC_SR)

Address: 4003_D000h base + 14h offset = 4003_D014h

Bit	31	30	29	28	27	26	25	24		23	22	21	20	19	18	17	16
R	0																
W	[Shaded]																
Reset	0	0	0	0	0	0	0	0		0	0	0	0	0	0	0	0
Bit	15	14	13	12	11	10	9	8		7	6	5	4	3	2	1	0
R	0								TCE	0	TAF	TOF	TIF				
W	[Shaded]								[Shaded]	[Shaded]	[Shaded]	[Shaded]					
Reset	0	0	0	0	0	0	0	0		0	0	0	0	0	0	0	1

RTC_SR field descriptions

Field	Description
31–5 Reserved	This field is reserved. This read-only field is reserved and always has the value 0.
4 TCE	Time Counter Enable When time counter is disabled the TSR register and TPR register are writeable, but do not increment. When time counter is enabled the TSR register and TPR register are not writeable, but increment. 0 Time counter is disabled. 1 Time counter is enabled.
3 Reserved	This field is reserved. This read-only field is reserved and always has the value 0.
2 TAF	Time Alarm Flag Time alarm flag is set when the TAR[TAR] equals the TSR[TSR] and the TSR[TSR] increments. This bit is cleared by writing the TAR register. 0 Time alarm has not occurred. 1 Time alarm has occurred.
1 TOF	Time Overflow Flag Time overflow flag is set when the time counter is enabled and overflows. The TSR and TPR do not increment and read as zero when this bit is set. This bit is cleared by writing the TSR register when the time counter is disabled. 0 Time overflow has not occurred. 1 Time overflow has occurred and time counter is read as zero.
0 TIF	Time Invalid Flag The time invalid flag is set on POR or software reset. The TSR and TPR do not increment and read as zero when this bit is set. This bit is cleared by writing the TSR register when the time counter is disabled. 0 Time is valid. 1 Time is invalid and time counter is read as zero.

32.3.7 RTC Lock Register (RTC_LR)

Address: 4003_D000h base + 18h offset = 4003_D018h

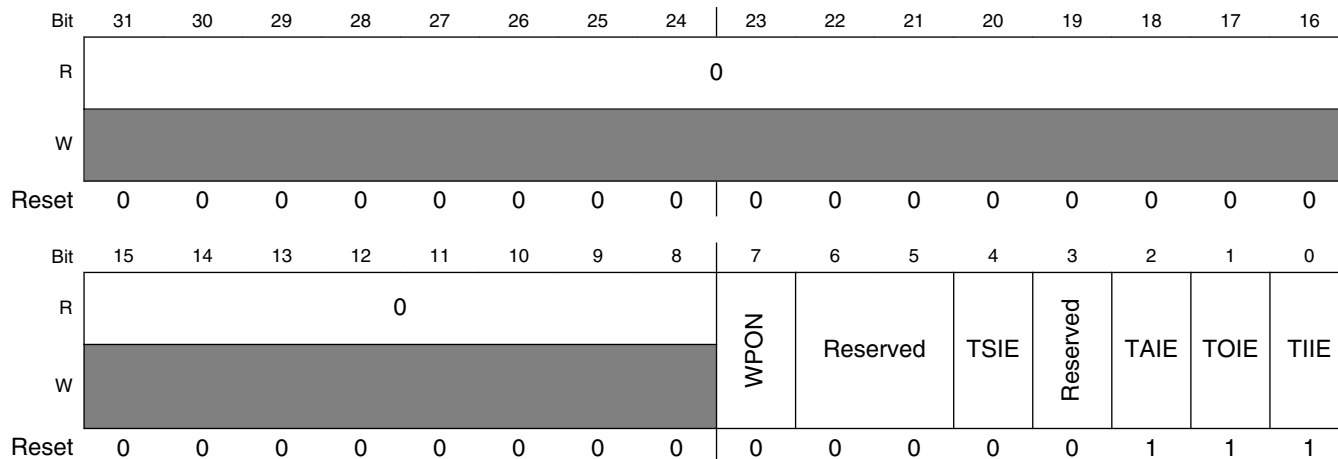
Bit	31	30	29	28	27	26	25	24		23	22	21	20	19	18	17	16
R	0																
W																	
Reset	0	0	0	0	0	0	0	0		0	0	0	0	0	0	0	0
Bit	15	14	13	12	11	10	9	8		7	6	5	4	3	2	1	0
R	0									1	LRL	SRL	CRL	TCL	1		
W																	
Reset	0	0	0	0	0	0	0	0		1	1	1	1	1	1	1	1

RTC_LR field descriptions

Field	Description
31–8 Reserved	This field is reserved. This read-only field is reserved and always has the value 0.
7 Reserved	This field is reserved. This read-only field is reserved and always has the value 1.
6 LRL	Lock Register Lock After being cleared, this bit can be set only by POR or software reset. 0 Lock Register is locked and writes are ignored. 1 Lock Register is not locked and writes complete as normal.
5 SRL	Status Register Lock After being cleared, this bit can be set only by POR or software reset. 0 Status Register is locked and writes are ignored. 1 Status Register is not locked and writes complete as normal.
4 CRL	Control Register Lock After being cleared, this bit can only be set by POR. 0 Control Register is locked and writes are ignored. 1 Control Register is not locked and writes complete as normal.
3 TCL	Time Compensation Lock After being cleared, this bit can be set only by POR or software reset. 0 Time Compensation Register is locked and writes are ignored. 1 Time Compensation Register is not locked and writes complete as normal.
Reserved	This field is reserved. This read-only field is reserved and always has the value 1.

32.3.8 RTC Interrupt Enable Register (RTC_IER)

Address: 4003_D000h base + 1Ch offset = 4003_D01Ch



RTC_IER field descriptions

Field	Description
31–16 Reserved	This field is reserved. This read-only field is reserved and always has the value 0.
15–8 Reserved	This field is reserved. This read-only field is reserved and always has the value 0.
7 WPON	Wakeup Pin On The wakeup pin is optional and not available on all devices. Whenever the wakeup pin is enabled and this bit is set, the wakeup pin will assert. 0 No effect. 1 If the wakeup pin is enabled, then the wakeup pin will assert.
6–5 Reserved	This field is reserved.
4 TSIE	Time Seconds Interrupt Enable The seconds interrupt is an edge-sensitive interrupt with a dedicated interrupt vector. It is generated once a second and requires no software overhead (there is no corresponding status flag to clear). 0 Seconds interrupt is disabled. 1 Seconds interrupt is enabled.
3 Reserved	This field is reserved.
2 TAIE	Time Alarm Interrupt Enable 0 Time alarm flag does not generate an interrupt. 1 Time alarm flag does generate an interrupt.
1 TOIE	Time Overflow Interrupt Enable

Table continues on the next page...

RTC_IER field descriptions (continued)

Field	Description
	0 Time overflow flag does not generate an interrupt. 1 Time overflow flag does generate an interrupt.
0 TIIE	Time Invalid Interrupt Enable 0 Time invalid flag does not generate an interrupt. 1 Time invalid flag does generate an interrupt.

32.4 Functional description

32.4.1 Power, clocking, and reset

The RTC is an always powered block that remains active in all low power modes.

The time counter within the RTC is clocked by a 32.768 kHz clock sourced from an external crystal using the oscillator.

The power-on-reset signal initializes all RTC registers to their default state. A software reset bit can also initialize all RTC registers.

32.4.1.1 Oscillator control

The 32.768 kHz crystal oscillator is disabled at POR and must be enabled by software. After enabling the crystal oscillator, wait the oscillator startup time before setting SR[TCE] or using the oscillator clock external to the RTC.

The crystal oscillator includes tunable capacitors that can be configured by software. Do not change the capacitance unless the oscillator is disabled.

32.4.1.2 Software reset

Writing 1 to CR[SWR] forces the equivalent of a POR to the rest of the RTC module. CR[SWR] is not affected by the software reset and must be cleared by software.

32.4.1.3 Supervisor access

When the supervisor access control bit is clear, only supervisor mode software can write to the RTC registers, non-supervisor mode software will generate a bus error. Both supervisor and non-supervisor mode software can always read the RTC registers.

32.4.2 Time counter

The time counter consists of a 32-bit seconds counter that increments once every second and a 16-bit prescaler register that increments once every 32.768 kHz clock cycle.

Reading the time counter (either seconds or prescaler) while it is incrementing may return invalid data due to synchronization of the read data bus. If it is necessary for software to read the prescaler or seconds counter when they could be incrementing, it is recommended that two read accesses are performed and that software verifies that the same data was returned for both reads.

The time seconds register and time prescaler register can be written only when SR[TCE] is clear. Always write to the prescaler register before writing to the seconds register, because the seconds register increments on the falling edge of bit 14 of the prescaler register.

The time prescaler register increments provided SR[TCE] is set, SR[TIF] is clear, SR[TOF] is clear, and the 32.768 kHz clock source is present. After enabling the oscillator, wait the oscillator startup time before setting SR[TCE] to allow time for the oscillator clock output to stabilize.

If the time seconds register overflows then the SR[TOF] will set and the time prescaler register will stop incrementing. Clear SR[TOF] by initializing the time seconds register. The time seconds register and time prescaler register read as zero whenever SR[TOF] is set.

SR[TIF] is set on POR and software reset and is cleared by initializing the time seconds register. The time seconds register and time prescaler register read as zero whenever SR[TIF] is set.

32.4.3 Compensation

The compensation logic provides an accurate and wide compensation range and can correct errors as high as 3906 ppm and as low as 0.12 ppm. The compensation factor must be calculated externally to the RTC and supplied by software to the compensation

register. The RTC itself does not calculate the amount of compensation that is required, although the 1 Hz clock is output to an external pin in support of external calibration logic.

Crystal compensation can be supported by using firmware and crystal characteristics to determine the compensation amount. Temperature compensation can be supported by firmware that periodically measures the external temperature via ADC and updates the compensation register based on a look-up table that specifies the change in crystal frequency over temperature.

The compensation logic alters the number of 32.768 kHz clock cycles it takes for the prescaler register to overflow and increment the time seconds counter. The time compensation value is used to adjust the number of clock cycles between -127 and +128. Cycles are added or subtracted from the prescaler register when the prescaler register equals 0x3FFF and then increments. The compensation interval is used to adjust the frequency at which the time compensation value is used, that is, from once a second to once every 256 seconds.

Updates to the time compensation register will not take effect until the next time the time seconds register increments and provided the previous compensation interval has expired. When the compensation interval is set to other than once a second then the compensation is applied in the first second interval and the remaining second intervals receive no compensation.

Compensation is disabled by configuring the time compensation register to zero.

32.4.4 Time alarm

The Time Alarm register (TAR), SR[TAF], and IER[TAIE] allow the RTC to generate an interrupt at a predefined time. The 32-bit TAR is compared with the 32-bit Time Seconds register (TSR) each time it increments. SR[TAF] will set when TAR equals TSR and TSR increments.

SR[TAF] is cleared by writing TAR. This will usually be the next alarm value, although writing a value that is less than TSR, such as 0, will prevent SR[TAF] from setting again. SR[TAF] cannot otherwise be disabled, although the interrupt it generates is enabled or disabled by IER[TAIE].

32.4.5 Update mode

The Update Mode field in the Control register (CR[UM]) configures software write access to the Time Counter Enable (SR[TCE]) field. When CR[UM] is clear, SR[TCE] can be written only when LR[SRL] is set. When CR[UM] is set, SR[TCE] can also be written when SR[TCE] is clear or when SR[TIF] or SR[TOF] are set. This allows the time seconds and prescaler registers to be initialized whenever time is invalidated, while preventing the time seconds and prescaler registers from being changed on the fly. When LR[SRL] is set, CR[UM] has no effect on SR[TCE].

32.4.6 Register lock

The Lock register (LR) can be used to block write accesses to certain registers until the next POR or software reset. Locking the Control register (CR) will disable the software reset. Locking LR will block future updates to LR.

Write accesses to a locked register are ignored and do not generate a bus error.

32.4.7 Interrupt

The RTC interrupt is asserted whenever a status flag and the corresponding interrupt enable bit are both set. It is always asserted on POR, and software reset. The RTC interrupt is enabled at the chip level by enabling the chip-specific RTC clock gate control bit. The RTC interrupt can be used to wakeup the chip from any low-power mode.

The optional RTC seconds interrupt is an edge-sensitive interrupt with a dedicated interrupt vector that is generated once a second and requires no software overhead (there is no corresponding status flag to clear). It is enabled in the RTC by the time seconds interrupt enable bit and enabled at the chip level by setting the chip-specific RTC clock gate control bit. This interrupt is optional and may not be implemented on all devices.

Chapter 33

Universal Serial Bus (USB) FS Subsystem

33.1 Chip-specific USBFS information

33.1.1 Universal Serial Bus (USB) FS Subsystem

The USB FS subsystem includes these components:

- Dual-role USB controller that supports a full-speed (FS) device . The module complies with the USB 2.0 specification.
- USB transceiver that includes internal 15 k Ω pulldowns on the D+ and D- lines for host mode functionality.
- A 3.3 V regulator.
- VBUS detect signal: To detect a valid VBUS in device mode, use a GPIO signal that can wake the chip in all power modes.

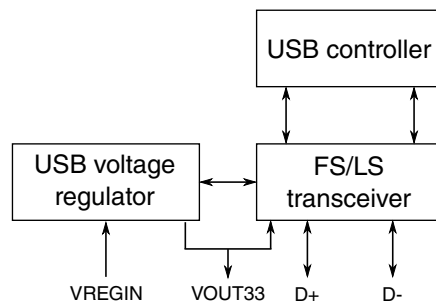


Figure 33-1. USB Subsystem Overview

33.1.2 USB Wakeup

When the USB detects that there is no activity on the USB bus for more than 3 ms, the ISTAT[SLEEP] bit is set. This bit can cause an interrupt and software decides the appropriate action.

Waking from a low power mode (except in LLS/VLLS mode where USB is not powered) occurs through an asynchronous interrupt triggered by activity on the USB bus. Setting the USBTRC0[USBRESMEN] bit enables this function.

33.1.3 USB Power Distribution

This chip includes an internal 5 V to 3.3 V USB regulator that powers the USB transceiver or the MCU (depending on the application).

33.1.3.1 AA/AAA cells power supply

The chip can be powered by two AA/AAA cells. In this case, the MCU is powered through VDD which is within the 1.8 to 3.0 V range. After USB cable insertion is detected, the USB regulator is enabled to power the USB transceiver.

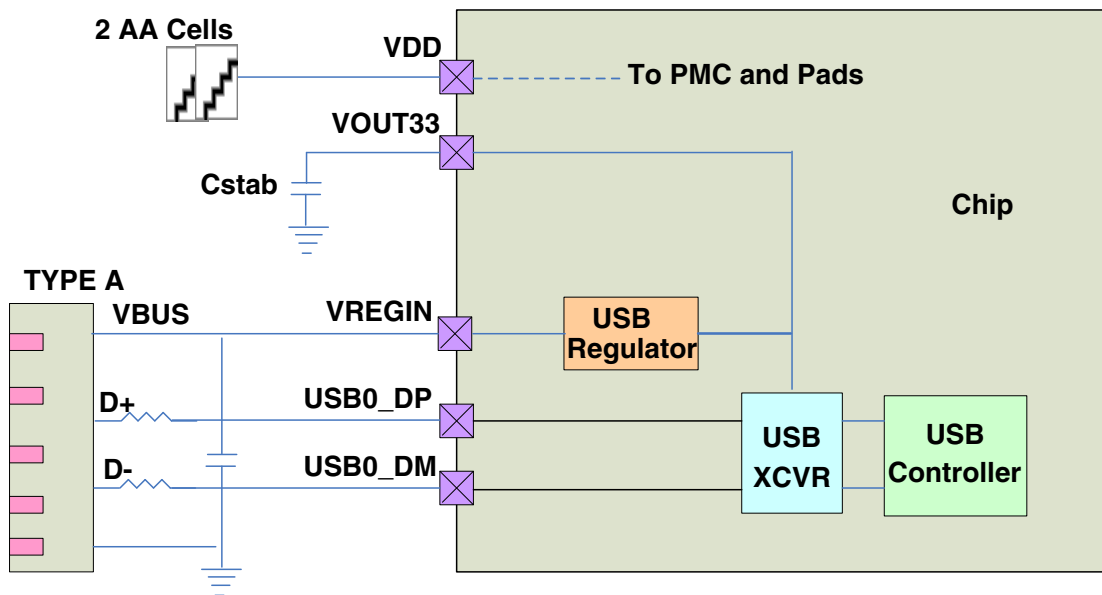


Figure 33-2. USB regulator AA cell usecase

33.1.3.2 Li-Ion battery power supply

The chip can also be powered by a single Li-ion battery. In this case, VOUT33 is connected to VDD. The USB regulator must be enabled by default to power the MCU. When connected to a USB host, the input source of this regulator is switched to the USB bus supply from the Li-ion battery. To charge the battery, the MCU can configure the battery charger.

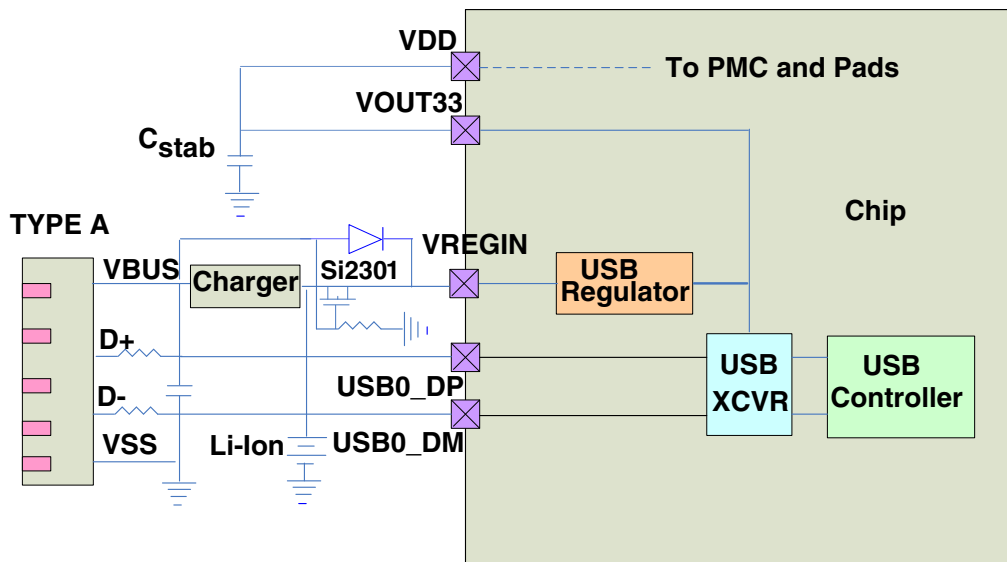


Figure 33-3. USB regulator Li-ion usecase

33.1.3.3 USB bus power supply

The chip can also be powered by the USB bus directly. In this case, VOUT33 is connected to VDD. The USB regulator must be enabled by default to power the MCU, then to power USB transceiver or external sensor.

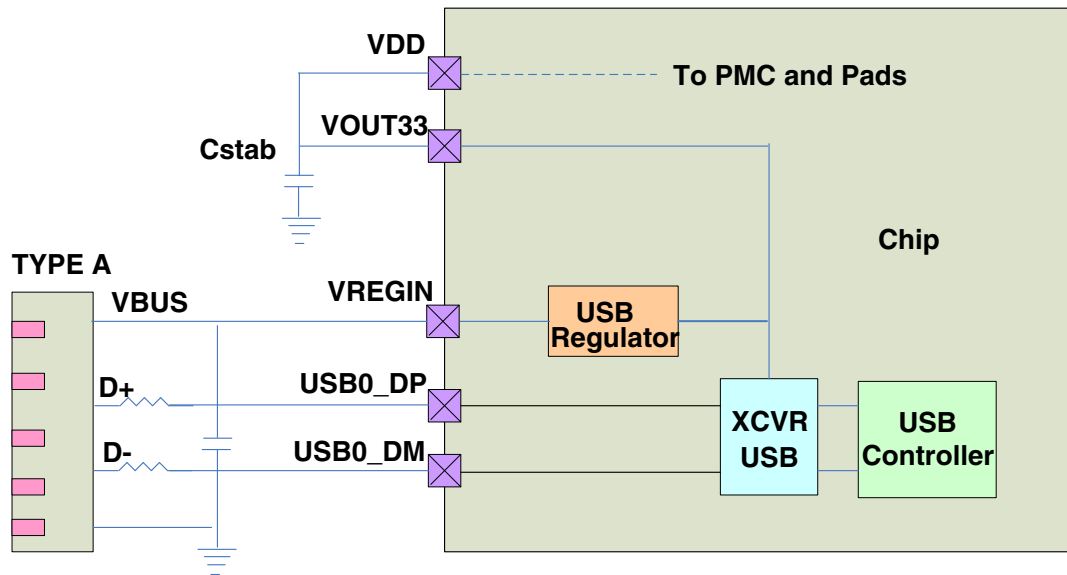


Figure 33-4. USB regulator bus supply

33.1.4 USB power management

The regulator should be put into STANDBY mode whenever the chip is in Stop mode.

33.2 Introduction

This chapter describes the USB full speed controller. The USBFS controller provides functionality for implementing a USB2.0 full-speed compliant peripheral and interfaces to a USBFS transceiver.

NOTE

This chapter describes the following registers that have similar names: USB_CTL, USB_CTRL, and USB_CONTROL. These are all separate registers.

33.2.1 References

The following publications are referenced in this document. For copies or updates to these specifications, see the USB Implementers Forum, Inc. website at <http://www.usb.org>.

- *Universal Serial Bus Specification, Revision 2.0*, 2000, with amendments including those listed below

- *Errata for “USB Revision 2.0 April 27, 2000” as of 12/7/2000*
- *Errata for “USB Revision 2.0 April 27, 2000” as of 12/7/2000*
- *Pull-up / Pull-down Resistors (USB Engineering Change Notice)*
- *Suspend Current Limit Changes (USB Engineering Change Notice)*
- *Device Capacitance (USB Engineering Change Notice)*
- *USB 2.0 Connect Timing Update (USB Engineering Change Notice as of April 4, 2013)*
- *USB 2.0 VBUS Max Limit (USB Engineering Change Notice)*
- *On-The-Go and Embedded Host Supplement to the USB Revision 2.0 Specification, Revision 2.0 version 1.1a, July 27, 2012*
- *Maximum VBUS Voltage (USB OTG/EH Engineering Change Notice)*
- *Universal Serial Bus Micro-USB Cables and Connectors Specification, Revision 1.01, 2007*

33.2.2 USB

The USB is a cable bus that supports data exchange between a host computer and a wide range of simultaneously accessible peripherals. The attached peripherals share USB bandwidth through a host-scheduled, token-based protocol. The bus allows peripherals to be attached, configured, used, and detached while the host and other peripherals are in operation.

USB software provides a uniform view of the system for all application software, hiding implementation details that make application software more portable. It manages the dynamic attach and detach of peripherals.

There is only one host in any USB system. The USB interface to the host computer system is referred to as the Host Controller.

There may be multiple USB devices in any system such as human interface devices, speakers, printers, etc. USB devices present a standard USB interface in terms of comprehension, response, and standard capability.

The host initiates transactions to specific peripherals, whereas the device responds to control transactions. The device sends and receives data to and from the host using a standard USB data format. USB 2.0 full-speed /low-speed peripherals operate at 12Mbit/s or 1.5 Mbit/s.

For additional information, see the USB 2.0 specification.

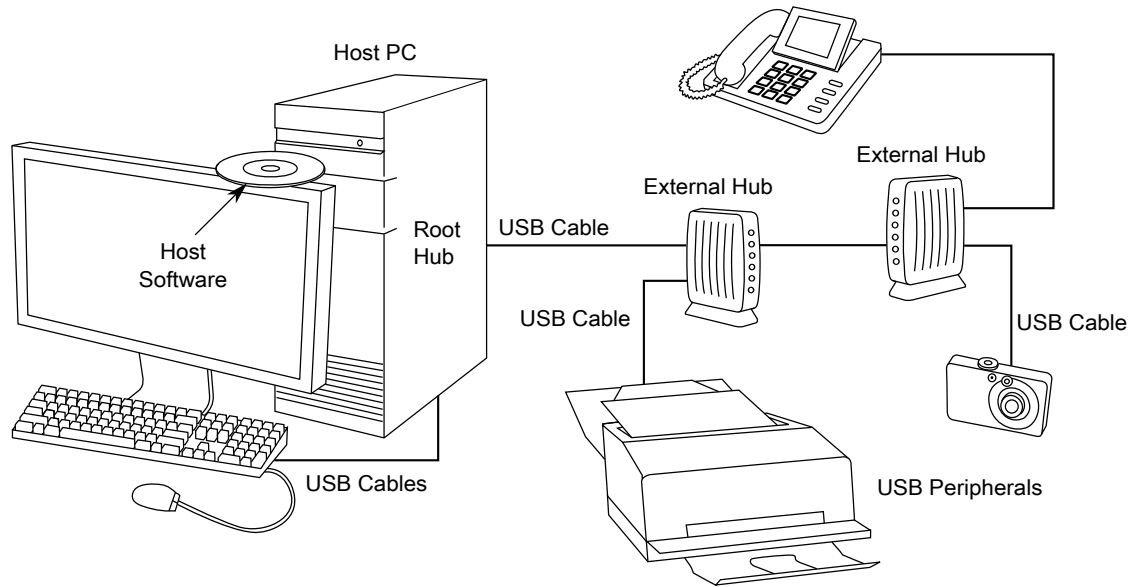


Figure 33-5. Example USB 2.0 system configuration

33.2.3 USBFS Features

- USB 1.1 and 2.0 compatible FS device controller
- 16 bidirectional endpoints
- DMA or FIFO data stream interfaces
- Low-power consumption
- with clock-recovery is supported to eliminate the 48 MHz crystal. It is used for USB device-only implementation.

33.3 Functional description

USBFS communicates with the processor core through status registers, control registers, and data structures in memory.

33.3.1 Data Structures

To efficiently manage USB endpoint communications, USBFS implements a Buffer Descriptor Table (BDT) in system memory. See [Figure 33-7](#).

33.3.2 On-chip transceiver required external components

USB system operation requires external components to ensure that driver output impedance, eye diagram, and VBUS cable fault tolerance requirements are met. DM and DP I/O pads must connect through series resistors (approximately 33 Ω each) to the USB connector on the application printed circuit board (PCB). Additionally, signal quality optimizes when these 33 Ω resistors are mounted closer to the processor than to the USB board-level connector. The USB transceiver includes:

- An internal 1.5 k Ω pullup resistor on the USB_DP line for full-speed device (controlled by USB_CONTROL[DPPULLUPNONOTG])
- Internal 15 k Ω pulldown resistors on the USB_DP and USB_DM signals, which are primarily intended for Host mode operation but are also useful in Device mode as explained below.

NOTE

For device operation, the internal 15 k Ω pulldowns should be enabled to keep the DP and DM ports in a known quiescent state when the VBUS detection software determines that the USB connection is not activated, including the cases when no cable to a host is present or when the USB port is not used. The internal 15 k Ω pulldowns should be controlled by USB_CTRL[PDE] in this case.

The following diagram provides an overview of device-only connections. For more details, see the *Kinetis Peripheral Module Quick Reference(KQRUG)*.

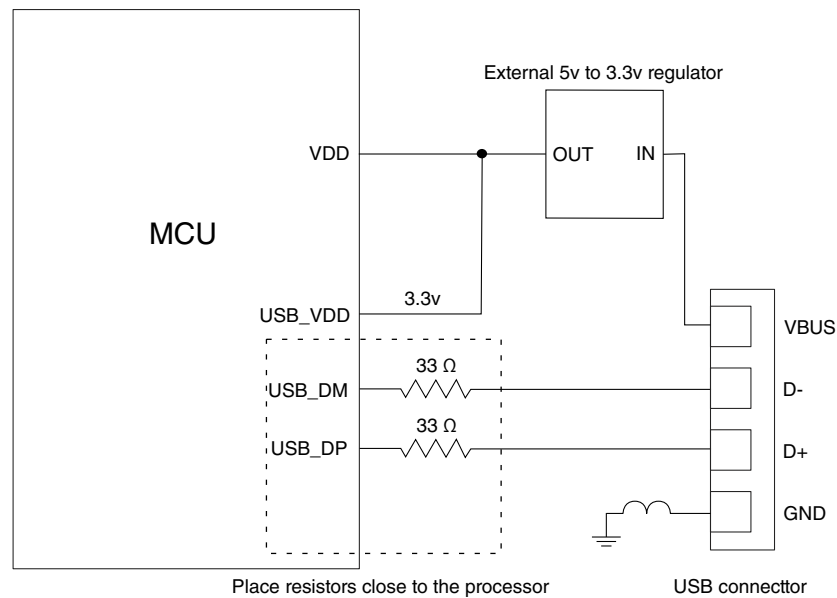


Figure 33-6. Typical Device-only block diagram (bus-powered with external regulator)

33.4 Programmers interface

This section discusses the major components of the programming model for the USB module.

33.4.1 Buffer Descriptor Table

To efficiently manage USB endpoint communications USBFS implements a Buffer Descriptor Table (BDT) in system memory. The BDT resides on a 512-byte boundary in system memory and is pointed to by the BDT Page Registers. Every endpoint direction requires two 8-byte Buffer Descriptor (BD) entries. Therefore, a system with 16 fully bidirectional endpoints would require 512 bytes of system memory to implement the BDT. The two BD entries allows for an EVEN BD and ODD BD entry for each endpoint direction. This allows the microprocessor to process one BD while USBFS is processing the other BD. Double buffering BDs in this way allows USBFS to transfer data easily at the maximum throughput provided by USB.

Software should manage buffers for USBFS by updating the BDT when needed. This allows USBFS to efficiently manage data transmission and reception, while the microprocessor performs communication overhead processing and other function dependent applications. Because the buffers are shared between the microprocessor and USBFS, a simple semaphore mechanism is used to distinguish who is allowed to update

the BDT and buffers in system memory. A semaphore, the OWN bit, is cleared to 0 when the BD entry is owned by the microprocessor. The microprocessor is allowed read and write access to the BD entry and the buffer in system memory when the OWN bit is 0. When the OWN bit is set to 1, the BD entry and the buffer in system memory are owned by USBFS. USBFS now has full read and write access and the microprocessor must not modify the BD or its corresponding data buffer. The BD also contains indirect address pointers to where the actual buffer resides in system memory. This indirect address mechanism is shown in the following diagram.

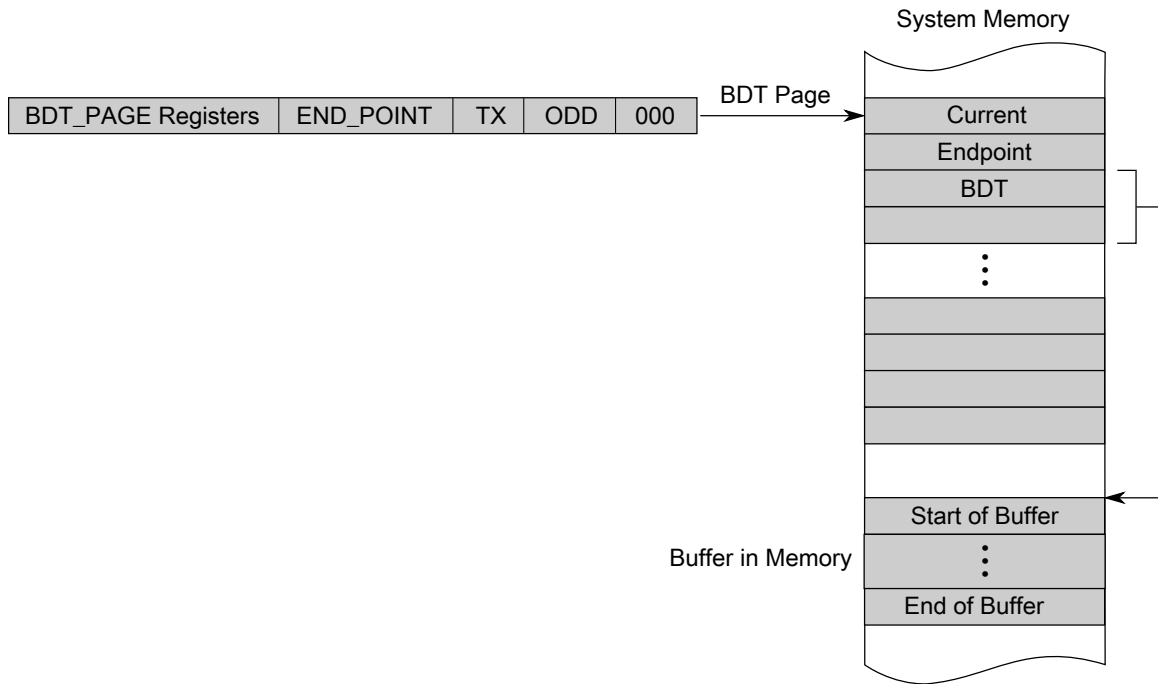


Figure 33-7. Buffer descriptor table

33.4.2 USB data transfers—Receive (Rx) and Transmit (Tx)

A USBFS core-centric nomenclature is used to describe the direction of the data transfer between USBFS core and USB. Throughout this chapter:

- "RX" (or "receive") describes transfers that move data from USB to memory.
- "TX" (or "transmit") describes transfers that move data from memory to USB.

The following table shows the data directions for USBFS.

Table 33-1. Data direction for USB host or USB target

RX	TX
OUT or SETUP	IN

33.4.3 Addressing BDT entries

An understanding of the addressing mechanism of the Buffer Descriptor Table is useful when accessing endpoint data via USBFS or microprocessor. Some points of interest are:

- The BDT occupies up to 512 bytes of system memory.
- 16 bidirectional endpoints can be supported with a full BDT of 512 bytes.
- 16 bytes are needed for each USB endpoint direction.
- Applications with fewer than 16 endpoints require less RAM to implement the BDT.
- The BDT Page Registers (BDT_PAGE) point to the starting location of the BDT.
- The BDT must be located on a 512-byte boundary in system memory.
- All enabled TX and RX endpoint BD entries are indexed into the BDT to allow easy access via USBFS or MCU core.

When a USB token on an enabled endpoint is received, USBFS uses its integrated DMA controller to interrogate the BDT. USBFS reads the corresponding endpoint BD entry to determine whether it owns the BD and corresponding buffer in system memory.

To compute the entry point into the BDT, the BDT_PAGE registers are concatenated with the current endpoint and the TX and ODD fields to form a 32-bit address. This address mechanism is shown in the following tables:

Table 33-2. BDT Address Calculation

31:24	23:16	15:9	8:5	4	3	2:0
BDT_PAGE_03	BDT_PAGE_02	BDT_PAGE_01[7:1]	Endpoint	TX	ODD	000

Table 33-3. BDT address calculation fields

Field	Description
BDT_PAGE	BDT_PAGE registers in the Control Register Block
ENDPOINT	ENDPOINT field from the USB TOKEN
TX	1 for transmit transfers and 0 for receive transfers
ODD	Maintained within the USBFS SIE. It corresponds to the buffer currently in use. The buffers are used in a ping-pong fashion.

33.4.4 Buffer Descriptors (BDs)

A buffer descriptor provides endpoint buffer control information for USBFS and the processor. The Buffer Descriptors have different meaning based on whether it is USBFS or the processor reading the BD in memory.

The USBFS Controller uses the data stored in the BDs to determine:

- Who owns the buffer in system memory
- Data0 or Data1 PID
- Whether to release ownership upon packet completion
- No address increment (FIFO mode)
- Whether data toggle synchronization is enabled
- How much data is to be transmitted or received
- Where the buffer resides in system memory

While the processor uses the data stored in the BDs to determine:

- Who owns the buffer in system memory
- Data0 or Data1 PID
- The received TOKEN PID
- How much data was transmitted or received
- Where the buffer resides in system memory

The format for the BD is shown in the following figure.

Table 33-4. Buffer descriptor format

31:26	25:16	15:8	7	6	5	4	3	2	1	0
RSVD	BC (10 bits)	RSVD	OWN	DATA0/1	KEEP/ TOK_PID[3]	NINC/ TOK_PID[2]	DTS/ TOK_PID[1]	BDT_STALL/ TOK_PID[0]	0	0
Buffer Address (32-Bits)										

Table 33-5. Buffer descriptor fields

Field	Description
31–26 RSVD	Reserved
25–16 BC	Byte Count Represents the 10-bit byte count. The USBFS SIE changes this field upon the completion of a RX transfer with the byte count of the data received.
15–8 RSVD	Reserved

Table continues on the next page...

Table 33-5. Buffer descriptor fields (continued)

Field	Description
7 OWN	<p>Determines whether the processor or USBFS currently owns the buffer. Except when KEEP=1, the SIE hands ownership back to the processor after completing the token by clearing this bit.</p> <p>This must always be the last byte of the BD that the processor updates when it initializes a BD.</p> <p>0 The processor has access to the BD. USBFS ignores all other fields in the BD.</p> <p>1 USBFS has access to the BD. While USBFS owns the BD, the processor should not modify any other fields in the BD.</p>
6 DATA0/1	<p>Defines whether a DATA0 field (DATA0/1=0) or a DATA1 (DATA0/1=1) field was transmitted or received. It is unchanged by USBFS.</p>
5 KEEP/ TOK_PID[3]	<p>This bit has two functions:</p> <ul style="list-style-type: none"> KEEP bit—When written by the processor, it serves as the KEEP bit. Typically, this bit is 1 with ISO endpoints feeding a FIFO. The microprocessor is not informed that a token has been processed, the data is simply transferred to or from the FIFO. When KEEP is set, normally the NINC bit is also set to prevent address increment. <p>0 Allows USBFS to release the BD when a token has been processed.</p> <p>1 This bit is unchanged by USBFS. Bit 3 of the current token PID is written back to the BD by USBFS.</p> <ul style="list-style-type: none"> TOK_PID[3]—If the OWN bit is also set, the BD remains owned by USBFS indefinitely; when written by USB, it serves as the TOK_PID[3] bit. <p>0 or 1 Bit 3 of the current token PID is written back to the BD by USBFS.</p> <p>Typically, this bit is 1 with ISO endpoints feeding a FIFO. The microprocessor is not informed that a token has been processed, the data is simply transferred to or from the FIFO. When KEEP is set, normally the NINC bit is also set to prevent address increment.</p>
4 NINC/ TOK_PID[2]	<p>No Increment (NINC)</p> <p>Disables the DMA engine address increment. This forces the DMA engine to read or write from the same address. This is useful for endpoints when data needs to be read from or written to a single location such as a FIFO. Typically this bit is set with the KEEP bit for ISO endpoints that are interfacing to a FIFO.</p> <p>0 USBFS writes bit 2 of the current token PID to the BD.</p> <p>1 This bit is unchanged by USBFS.</p>
3 DTS/ TOK_PID[1]	<p>Setting this bit enables USBFS to perform Data Toggle Synchronization.</p> <ul style="list-style-type: none"> If KEEP=0, bit 1 of the current token PID is written back to the BD. If KEEP=1, this bit is unchanged by USBFS. <p>0 Data Toggle Synchronization is disabled.</p> <p>1 Enables USBFS to perform Data Toggle Synchronization.</p>
2 BDT_STALL TOK_PID[0]	<p>Setting this bit causes USBFS to issue a STALL handshake if a token is received by the SIE that would use the BDT in this location. The BDT is not consumed by the SIE (the owns bit remains set and the rest of the BDT is unchanged) when a BDT_STALL bit is set.</p> <ul style="list-style-type: none"> If KEEP=0, bit 0 of the current token PID is written back to the BD. If KEEP=1, this bit is unchanged by USBFS. <p>0 No stall issued.</p> <p>1 The BDT is not consumed by the SIE (the OWN bit remains set and the rest of the BDT is unchanged).</p>

Table continues on the next page...

Table 33-5. Buffer descriptor fields (continued)

Field	Description
	Setting BDT_STALL also causes the corresponding USB_ENDPT _n [EPSTALL] bit to set. This causes USBOTG to issue a STALL handshake for both directions of the associated endpoint. To clear the stall condition: <ol style="list-style-type: none"> 1. Clear the associated USB_ENDPT_n[EPSTALL] bit. 2. Write the BDT to clear OWN and BDT_STALL.
TOK_PID[n]	Bits [5:2] can also represent the current token PID. The current token PID is written back in to the BD by USBFS when a transfer completes. The values written back are the token PID values from the USB specification: <ul style="list-style-type: none"> • 0x1h for an OUT token. • 0x9h for an IN token. • 0xDh for a SETUP token.
1–0 Reserved	Reserved, should read as zeroes.
ADDR[31:0]	Address Represents the 32-bit buffer address in system memory. These bits are unchanged by USBFS.

33.4.5 USB transaction

When USBFS transmits or receives data, it computes the BDT address using the address generation shown in "Addressing Buffer Descriptor Entries" table.

If OWN =1, the following process occurs:

1. USBFS reads the BDT.
2. The SIE transfers the data via the DMA to or from the buffer pointed to by the ADDR field of the BD.
3. When the TOKEN is complete, USBFS updates the BDT and, if KEEP=0, changes the OWN bit to 0.
4. The STAT register is updated and the TOK_DNE interrupt is set.
5. When the processor processes the TOK_DNE interrupt, it reads from the status register all the information needed to process the endpoint.
6. At this point, the processor allocates a new BD so that additional USB data can be transmitted or received for that endpoint, and then processes the last BD.

The following figure shows a timeline of how a typical USB token is processed after the BDT is read and OWN=1.

Programmers interface

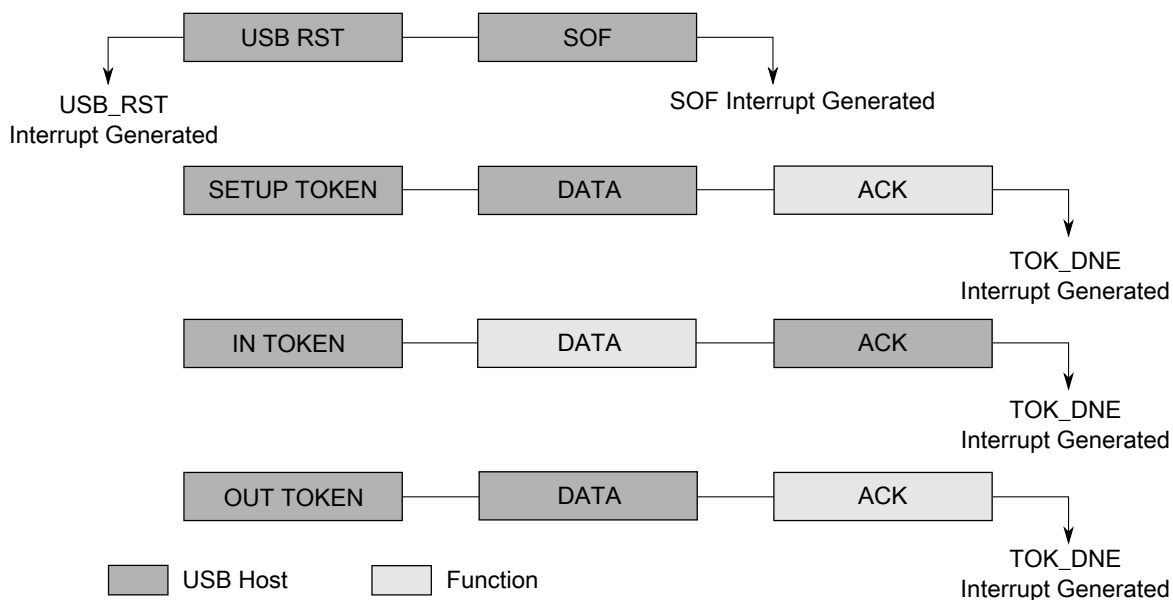


Figure 33-8. USB token transaction

The USB has two sources for the DMA overrun error:

Memory Latency

The memory latency may be too high and cause the receive FIFO to overflow. This is predominantly a hardware performance issue, usually caused by transient memory access issues.

Oversized Packets

The packet received may be larger than the negotiated *MaxPacket* size. Typically, this is caused by a software bug. For DMA overrun errors due to oversized data packets, the USB specification is ambiguous. It assumes correct software drivers on both sides. NAKing the packet can result in retransmission of the already oversized packet data. Therefore, in response to oversized packets, the USB core continues ACKing the packet for non-isochronous transfers.

Table 33-6. USB responses to DMA overrun errors

Errors due to Memory Latency	Errors due to Oversized Packets
Non-Acknowledgment (NAK) or Bus Timeout (BTO) — See bit 4 in "Error Interrupt Status Register (ERRSTAT)" as appropriate for the class of transaction.	Continues acknowledging (ACKing) the packet for non-isochronous transfers.
—	The data written to memory is clipped to the MaxPacket size so as not to corrupt system memory.
The DMAERR bit is set in the ERRSTAT register for host and device modes of operation. Depending on the values of the INTENB and ERRENB register, the core may assert an interrupt to notify the processor of the DMA error.	Asserts ERRSTAT[DMAERR], which can trigger an interrupt and TOKDNE interrupt fires. Note: The TOK_PID field of the BDT is not 1111 because the DMAERR is not due to latency.

Table continues on the next page...

Table 33-6. USB responses to DMA overrun errors (continued)

Errors due to Memory Latency	Errors due to Oversized Packets
<ul style="list-style-type: none"> For host mode, the TOKDNE interrupt is generated and the TOK_PID field of the BDT is 1111 to indicate the DMA latency error. Host mode software can decide to retry or move to next scheduled item. In device mode, the BDT is not written back nor is the TOKDNE interrupt triggered because it is assumed that a second attempt is queued and will succeed in the future. 	The packet length field written back to the BDT is the MaxPacket value that represents the length of the clipped data actually written to memory.
From here, the software can decide an appropriate course of action for future transactions such as stalling the endpoint, canceling the transfer, disabling the endpoint, etc.	

33.5 Memory map/Register definitions

This section provides the memory map and detailed descriptions of all USB interface registers.

USB memory map

Absolute address (hex)	Register name	Width (in bits)	Access	Reset value	Section/page
4007_2000	Peripheral ID register (USB0_PERID)	8	R	04h	33.5.1/557
4007_2004	Peripheral ID Complement register (USB0_IDCOMP)	8	R	FBh	33.5.2/557
4007_2008	Peripheral Revision register (USB0_REV)	8	R	33h	33.5.3/558
4007_200C	Peripheral Additional Info register (USB0_ADDINFO)	8	R	01h	33.5.4/558
4007_2080	Interrupt Status register (USB0_ISTAT)	8	R/W	00h	33.5.5/559
4007_2084	Interrupt Enable register (USB0_INTEN)	8	R/W	00h	33.5.6/560
4007_2088	Error Interrupt Status register (USB0_ERRSTAT)	8	R/W	00h	33.5.7/561
4007_208C	Error Interrupt Enable register (USB0_ERREN)	8	R/W	00h	33.5.8/562
4007_2090	Status register (USB0_STAT)	8	R	00h	33.5.9/563
4007_2094	Control register (USB0_CTL)	8	R/W	00h	33.5.10/564
4007_2098	Address register (USB0_ADDR)	8	R/W	00h	33.5.11/565
4007_209C	BDT Page register 1 (USB0_BDTPAGE1)	8	R/W	00h	33.5.12/565
4007_20A0	Frame Number register Low (USB0_FRMNUML)	8	R/W	00h	33.5.13/566
4007_20A4	Frame Number register High (USB0_FRMNUMH)	8	R/W	00h	33.5.14/566
4007_20B0	BDT Page Register 2 (USB0_BDTPAGE2)	8	R/W	00h	33.5.15/567

Table continues on the next page...

USB memory map (continued)

Absolute address (hex)	Register name	Width (in bits)	Access	Reset value	Section/page
4007_20B4	BDT Page Register 3 (USB0_BDTPAGE3)	8	R/W	00h	33.5.16/567
4007_20C0	Endpoint Control register (USB0_ENDPT0)	8	R/W	00h	33.5.17/568
4007_20C4	Endpoint Control register (USB0_ENDPT1)	8	R/W	00h	33.5.17/568
4007_20C8	Endpoint Control register (USB0_ENDPT2)	8	R/W	00h	33.5.17/568
4007_20CC	Endpoint Control register (USB0_ENDPT3)	8	R/W	00h	33.5.17/568
4007_20D0	Endpoint Control register (USB0_ENDPT4)	8	R/W	00h	33.5.17/568
4007_20D4	Endpoint Control register (USB0_ENDPT5)	8	R/W	00h	33.5.17/568
4007_20D8	Endpoint Control register (USB0_ENDPT6)	8	R/W	00h	33.5.17/568
4007_20DC	Endpoint Control register (USB0_ENDPT7)	8	R/W	00h	33.5.17/568
4007_20E0	Endpoint Control register (USB0_ENDPT8)	8	R/W	00h	33.5.17/568
4007_20E4	Endpoint Control register (USB0_ENDPT9)	8	R/W	00h	33.5.17/568
4007_20E8	Endpoint Control register (USB0_ENDPT10)	8	R/W	00h	33.5.17/568
4007_20EC	Endpoint Control register (USB0_ENDPT11)	8	R/W	00h	33.5.17/568
4007_20F0	Endpoint Control register (USB0_ENDPT12)	8	R/W	00h	33.5.17/568
4007_20F4	Endpoint Control register (USB0_ENDPT13)	8	R/W	00h	33.5.17/568
4007_20F8	Endpoint Control register (USB0_ENDPT14)	8	R/W	00h	33.5.17/568
4007_20FC	Endpoint Control register (USB0_ENDPT15)	8	R/W	00h	33.5.17/568
4007_2100	USB Control register (USB0_USBCTRL)	8	R/W	C0h	33.5.18/569
4007_2104	USB OTG Observe register (USB0_OBSERVE)	8	R	50h	33.5.19/569
4007_2108	USB OTG Control register (USB0_CONTROL)	8	R/W	00h	33.5.20/570
4007_210C	USB Transceiver Control register 0 (USB0_USBTRC0)	8	R/W	00h	33.5.21/571
4007_2114	Frame Adjust Register (USB0_USBFMADJUST)	8	R/W	00h	33.5.22/572

Table continues on the next page...

USB memory map (continued)

Absolute address (hex)	Register name	Width (in bits)	Access	Reset value	Section/page
4007_2140	USB Clock recovery control (USB0_CLK_RECOVER_CTRL)	8	R/W	00h	33.5.23/572
4007_2144	IRC48M oscillator enable register (USB0_CLK_RECOVER_IRC_EN)	8	R/W	01h	33.5.24/573
4007_2154	Clock recovery combined interrupt enable (USB0_CLK_RECOVER_INT_EN)	8	R/W	10h	33.5.25/574
4007_215C	Clock recovery separated interrupt status (USB0_CLK_RECOVER_INT_STATUS)	8	w1c	00h	33.5.26/575

33.5.1 Peripheral ID register (USBx_PERID)

Reads back the value of 0x04. This value is defined for the USB peripheral.

Address: 4007_2000h base + 0h offset = 4007_2000h

Bit	7	6	5	4	3	2	1	0
Read	0		ID					
Write								
Reset	0	0	0	0	0	1	0	0

USBx_PERID field descriptions

Field	Description
7–6 Reserved	This field is reserved. This read-only field is reserved and always has the value 0.
ID	Peripheral Identification This field always reads 0x4h.

33.5.2 Peripheral ID Complement register (USBx_IDCOMP)

Reads back the complement of the Peripheral ID register. For the USB peripheral, the value is 0xFB.

Address: 4007_2000h base + 4h offset = 4007_2004h

Bit	7	6	5	4	3	2	1	0
Read	1		NID					
Write								
Reset	1	1	1	1	1	0	1	1

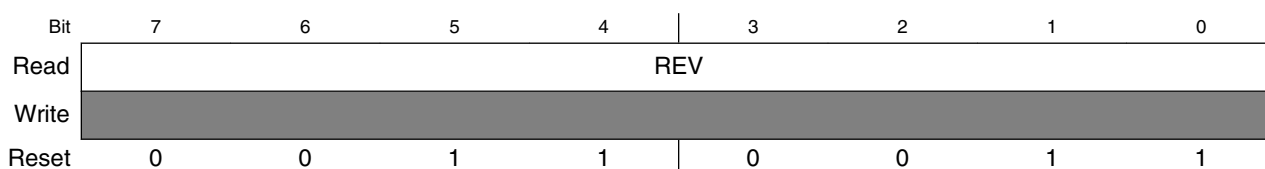
USBx_IDCOMP field descriptions

Field	Description
7-6 Reserved	This field is reserved. This read-only field is reserved and always has the value 1.
NID	Ones' complement of PERID[ID]. bits.

33.5.3 Peripheral Revision register (USBx_REV)

Contains the revision number of the USB module.

Address: 4007_2000h base + 8h offset = 4007_2008h



USBx_REV field descriptions

Field	Description
REV	Revision Indicates the revision number of the USB Core.

33.5.4 Peripheral Additional Info register (USBx_ADDINFO)

Reads back the value of the Host Enable bit.

Address: 4007_2000h base + Ch offset = 4007_200Ch



USBx_ADDINFO field descriptions

Field	Description
7-3 Reserved	This field is reserved. This read-only field is reserved and always has the value 0.
2-1 Reserved	This field is reserved. This read-only field is reserved and always has the value 0.

Table continues on the next page...

USBx_ADDINFO field descriptions (continued)

Field	Description
0 IEHOST	This bit is set if host mode is enabled.

33.5.5 Interrupt Status register (USBx_ISTAT)

Contains fields for each of the interrupt sources within the USB Module. Each of these fields are qualified with their respective interrupt enable bits. After an interrupt bit has been set it may only be cleared by writing a one to the respective interrupt bit. This register contains the value of 0x00 after a reset.

Address: 4007_2000h base + 80h offset = 4007_2080h

Bit	7	6	5	4	3	2	1	0
Read	STALL	0	RESUME	SLEEP	TOKDNE	SOFTOK	ERROR	USBRST
Write	w1c		w1c	w1c	w1c	w1c	w1c	w1c
Reset	0	0	0	0	0	0	0	0

USBx_ISTAT field descriptions

Field	Description
7 STALL	Stall Interrupt In Device mode this bit is asserted when a STALL handshake is sent by the SIE.
6 Reserved	Reserved This field is reserved. This read-only field is reserved and always has the value 0.
5 RESUME	This bit is set when a K-state is observed on the DP/DM signals for 2.5 μ s. When not in suspend mode this interrupt must be disabled.
4 SLEEP	This bit is set when the USB Module detects a constant idle on the USB bus for 3 ms. The sleep timer is reset by activity on the USB bus.
3 TOKDNE	This bit is set when the current token being processed has completed. The processor must immediately read the STATUS (STAT) register to determine the EndPoint and BD used for this token. Clearing this bit (by writing a one) causes STAT to be cleared or the STAT holding register to be loaded into the STAT register.
2 SOFTOK	This bit is set when the USB Module receives a Start Of Frame (SOF) token.
1 ERROR	This bit is set when any of the error conditions within Error Interrupt Status (ERRSTAT) register occur. The processor must then read the ERRSTAT register to determine the source of the error.
0 USBRST	This bit is set when the USB Module has decoded a valid USB reset. This informs the processor that it should write 0x00 into the address register and enable endpoint 0. USBRST is set after a USB reset has been detected for 2.5 microseconds. It is not asserted again until the USB reset condition has been removed and then reasserted.

33.5.6 Interrupt Enable register (USBx_INTEN)

Contains enable fields for each of the interrupt sources within the USB Module. Setting any of these bits enables the respective interrupt source in the ISTAT register. This register contains the value of 0x00 after a reset.

Address: 4007_2000h base + 84h offset = 4007_2084h

Bit	7	6	5	4	3	2	1	0
Read	STALLEN	0	RESUMEEN	SLEEPEN	TOKDNEEN	SOFTOKEN	ERROREN	USBRSTEN
Write								
Reset	0	0	0	0	0	0	0	0

USBx_INTEN field descriptions

Field	Description
7 STALLEN	STALL Interrupt Enable 0 Disables the STALL interrupt. 1 Enables the STALL interrupt.
6 Reserved	This field is reserved. This read-only field is reserved and always has the value 0.
5 RESUMEEN	RESUME Interrupt Enable 0 Disables the RESUME interrupt. 1 Enables the RESUME interrupt.
4 SLEEPEN	SLEEP Interrupt Enable 0 Disables the SLEEP interrupt. 1 Enables the SLEEP interrupt.
3 TOKDNEEN	TOKDNE Interrupt Enable 0 Disables the TOKDNE interrupt. 1 Enables the TOKDNE interrupt.
2 SOFTOKEN	SOFTOK Interrupt Enable 0 Disables the SOFTOK interrupt. 1 Enables the SOFTOK interrupt.
1 ERROREN	ERROR Interrupt Enable 0 Disables the ERROR interrupt. 1 Enables the ERROR interrupt.
0 USBRSTEN	USBRST Interrupt Enable 0 Disables the USBRST interrupt. 1 Enables the USBRST interrupt.

33.5.7 Error Interrupt Status register (USBx_ERRSTAT)

Contains enable bits for each of the error sources within the USB Module. Each of these bits are qualified with their respective error enable bits. All bits of this register are logically OR'd together and the result placed in the ERROR bit of the ISTAT register. After an interrupt bit has been set it may only be cleared by writing a one to the respective interrupt bit. Each bit is set as soon as the error condition is detected. Therefore, the interrupt does not typically correspond with the end of a token being processed. This register contains the value of 0x00 after a reset.

Address: 4007_2000h base + 88h offset = 4007_2088h

Bit	7	6	5	4	3	2	1	0
Read	BTSERR	0	DMAERR	BTOERR	DFN8	CRC16	CRC5	PIDERR
Write	w1c		w1c	w1c	w1c	w1c	w1c	w1c
Reset	0	0	0	0	0	0	0	0

USBx_ERRSTAT field descriptions

Field	Description
7 BTSERR	This bit is set when a bit stuff error is detected. If set, the corresponding packet is rejected due to the error.
6 Reserved	This field is reserved. This read-only field is reserved and always has the value 0.
5 DMAERR	This bit is set if the USB Module has requested a DMA access to read a new BDT but has not been given the bus before it needs to receive or transmit data. If processing a TX transfer this would cause a transmit data underflow condition. If processing a RX transfer this would cause a receive data overflow condition. This interrupt is useful when developing device arbitration hardware for the microprocessor and the USB module to minimize bus request and bus grant latency. This bit is also set if a data packet to or from the host is larger than the buffer size allocated in the BDT. In this case the data packet is truncated as it is put in buffer memory.
4 BTOERR	This bit is set when a bus turnaround timeout error occurs. The USB module contains a bus turnaround timer that keeps track of the amount of time elapsed between the token and data phases of a SETUP or OUT TOKEN or the data and handshake phases of a IN TOKEN. If more than 16 bit times are counted from the previous EOP before a transition from IDLE, a bus turnaround timeout error occurs.
3 DFN8	This bit is set if the data field received was not 8 bits in length. USB Specification 1.0 requires that data fields be an integral number of bytes. If the data field was not an integral number of bytes, this bit is set.
2 CRC16	This bit is set when a data packet is rejected due to a CRC16 error.
1 CRC5	This error interrupt has two functions. When the USB Module is operating in peripheral mode (HOSTMODEEN=0), this interrupt detects CRC5 errors in the token packets generated by the host. If set the token packet was rejected due to a CRC5 error.
0 PIDERR	This bit is set when the PID check field fails.

33.5.8 Error Interrupt Enable register (USBx_ERREN)

Contains enable bits for each of the error interrupt sources within the USB module. Setting any of these bits enables the respective interrupt source in ERRSTAT. Each bit is set as soon as the error condition is detected. Therefore, the interrupt does not typically correspond with the end of a token being processed. This register contains the value of 0x00 after a reset.

Address: 4007_2000h base + 8Ch offset = 4007_208Ch

Bit	7	6	5	4	3	2	1	0
Read	BTSEEREN	0	DMAERREN	BTOERREN	DFN8EN	CRC16EN	CRC5EOFE N	PIDERREN
Write								
Reset	0	0	0	0	0	0	0	0

USBx_ERREN field descriptions

Field	Description
7 BTSEEREN	BTSEER Interrupt Enable 0 Disables the BTSEER interrupt. 1 Enables the BTSEER interrupt.
6 Reserved	This field is reserved. This read-only field is reserved and always has the value 0.
5 DMAERREN	DMAERR Interrupt Enable 0 Disables the DMAERR interrupt. 1 Enables the DMAERR interrupt.
4 BTOERREN	BTOERR Interrupt Enable 0 Disables the BTOERR interrupt. 1 Enables the BTOERR interrupt.
3 DFN8EN	DFN8 Interrupt Enable 0 Disables the DFN8 interrupt. 1 Enables the DFN8 interrupt.
2 CRC16EN	CRC16 Interrupt Enable 0 Disables the CRC16 interrupt. 1 Enables the CRC16 interrupt.
1 CRC5EOFE N	CRC5/EOF Interrupt Enable 0 Disables the CRC5/EOF interrupt. 1 Enables the CRC5/EOF interrupt.
0 PIDERREN	PIDERR Interrupt Enable 0 Disables the PIDERR interrupt. 1 Enters the PIDERR interrupt.

33.5.9 Status register (USBx_STAT)

Reports the transaction status within the USB module. When the processor's interrupt controller has received a TOKDNE, interrupt the Status Register must be read to determine the status of the previous endpoint communication. The data in the status register is valid when TOKDNE interrupt is asserted. The Status register is actually a read window into a status FIFO maintained by the USB module. When the USB module uses a BD, it updates the Status register. If another USB transaction is performed before the TOKDNE interrupt is serviced, the USB module stores the status of the next transaction in the STAT FIFO. Thus STAT is actually a four byte FIFO that allows the processor core to process one transaction while the SIE is processing the next transaction. Clearing the TOKDNE bit in the ISTAT register causes the SIE to update STAT with the contents of the next STAT value. If the data in the STAT holding register is valid, the SIE immediately reasserts to TOKDNE interrupt.

Address: 4007_2000h base + 90h offset = 4007_2090h

Bit	7	6	5	4	3	2	1	0
Read	ENDP				TX	ODD	0	
Write								
Reset	0	0	0	0	0	0	0	0

USBx_STAT field descriptions

Field	Description
7–4 ENDP	This four-bit field encodes the endpoint address that received or transmitted the previous token. This allows the processor core to determine the BDT entry that was updated by the last USB transaction.
3 TX	Transmit Indicator 0 The most recent transaction was a receive operation. 1 The most recent transaction was a transmit operation.
2 ODD	This bit is set if the last buffer descriptor updated was in the odd bank of the BDT.
Reserved	This field is reserved. This read-only field is reserved and always has the value 0.

33.5.10 Control register (USBx_CTL)

Provides various control and configuration information for the USB module.

Address: 4007_2000h base + 94h offset = 4007_2094h

Bit	7	6	5	4
Read	JSTATE	SE0	TXSUSPENDTOKENBUSY	0
Write				
Reset	0	0	0	0
Bit	3	2	1	0
Read	0	RESUME	ODDRST	USBENSOFFEN
Write				
Reset	0	0	0	0

USBx_CTL field descriptions

Field	Description
7 JSTATE	Live USB differential receiver JSTATE signal The polarity of this signal is affected by the current state of LSEN .
6 SE0	Live USB Single Ended Zero signal
5 TXSUSPENDTOKENBUSY	In Device mode, TXD_SUSPEND is set when the SIE has disabled packet transmission and reception. Clearing this bit allows the SIE to continue token processing. This bit is set by the SIE when a SETUP Token is received allowing software to dequeue any pending packet transactions in the BDT before resuming token processing.
4-3 Reserved	This field is reserved. This read-only field is reserved and always has the value 0.
2 RESUME	When set to 1 this bit enables the USB Module to execute resume signaling. This allows the USB Module to perform remote wake-up. Software must set RESUME to 1 for the required amount of time and then clear it to 0.
1 ODDRST	Setting this bit to 1 resets all the BDT ODD ping/pong fields to 0, which then specifies the EVEN BDT bank.
0 USBENSOFFEN	USB Enable Setting this bit enables the USB-FS to operate; clearing it disables the USB-FS. Setting the bit causes the SIE to reset all of its ODD bits to the BDTs. Therefore, setting this bit resets much of the logic in the SIE. 0 Disables the USB Module. 1 Enables the USB Module.

33.5.11 Address register (USBx_ADDR)

Holds the unique USB address that the USB module decodes when in Peripheral mode (HOSTMODEEN=0). CTL[USBENSOFFEN] must be 1. The Address register is reset to 0x00 after the reset input becomes active or the USB module decodes a USB reset signal. This action initializes the Address register to decode address 0x00 as required by the USB specification.

Address: 4007_2000h base + 98h offset = 4007_2098h

Bit	7	6	5	4	3	2	1	0
Read	0	ADDR						
Write								
Reset	0	0	0	0	0	0	0	0

USBx_ADDR field descriptions

Field	Description
7 Reserved	This field is reserved. This read-only field is reserved and always has the value 0.
ADDR	USB Address Defines the USB address that the USB module decodes in peripheral mode.

33.5.12 BDT Page register 1 (USBx_BDTPAGE1)

Provides address bits 15 through 9 of the base address where the current Buffer Descriptor Table (BDT) resides in system memory. See [Buffer Descriptor Table](#). The 32-bit BDT Base Address is always aligned on 512-byte boundaries, so bits 8 through 0 of the base address are always zero.

Address: 4007_2000h base + 9Ch offset = 4007_209Ch

Bit	7	6	5	4	3	2	1	0
Read	BDTBA							0
Write								
Reset	0	0	0	0	0	0	0	0

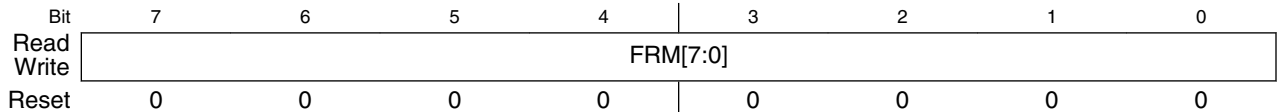
USBx_BDTPAGE1 field descriptions

Field	Description
7-1 BDTBA	Provides address bits 15 through 9 of the BDT base address.
0 Reserved	This field is reserved. This read-only field is reserved and always has the value 0.

33.5.13 Frame Number register Low (USBx_FRMNUML)

The Frame Number registers (low and high) contain the 11-bit frame number. These registers are updated with the current frame number whenever a SOF TOKEN is received.

Address: 4007_2000h base + A0h offset = 4007_20A0h



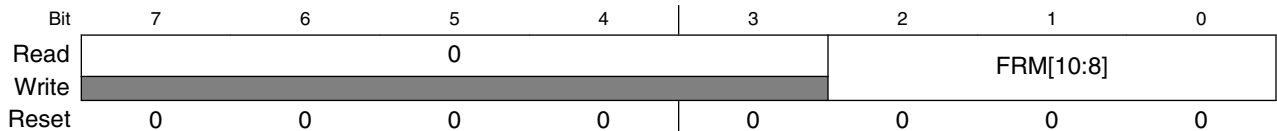
USBx_FRMNUML field descriptions

Field	Description
FRM[7:0]	This 8-bit field and the 3-bit field in the Frame Number Register High are used to compute the address where the current Buffer Descriptor Table (BDT) resides in system memory.

33.5.14 Frame Number register High (USBx_FRMNUMH)

The Frame Number registers (low and high) contain the 11-bit frame number. These registers are updated with the current frame number whenever a SOF TOKEN is received.

Address: 4007_2000h base + A4h offset = 4007_20A4h



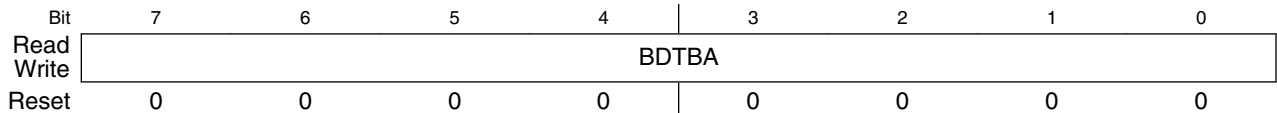
USBx_FRMNUMH field descriptions

Field	Description
7-3 Reserved	This field is reserved. This read-only field is reserved and always has the value 0.
FRM[10:8]	This 3-bit field and the 8-bit field in the Frame Number Register Low are used to compute the address where the current Buffer Descriptor Table (BDT) resides in system memory.

33.5.15 BDT Page Register 2 (USBx_BDTPAGE2)

Contains an 8-bit value used to compute the address where the current Buffer Descriptor Table (BDT) resides in system memory. See [Buffer Descriptor Table](#).

Address: 4007_2000h base + B0h offset = 4007_20B0h



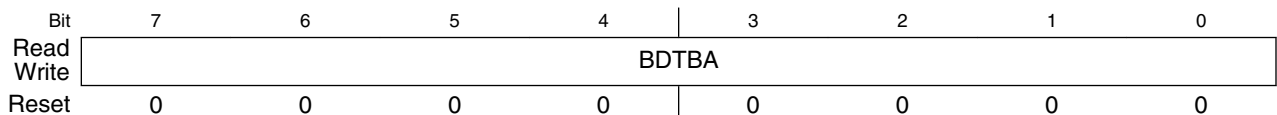
USBx_BDTPAGE2 field descriptions

Field	Description
BDTBA	Provides address bits 23 through 16 of the BDT base address that defines the location of Buffer Descriptor Table resides in system memory.

33.5.16 BDT Page Register 3 (USBx_BDTPAGE3)

Contains an 8-bit value used to compute the address where the current Buffer Descriptor Table (BDT) resides in system memory. See [Buffer Descriptor Table](#).

Address: 4007_2000h base + B4h offset = 4007_20B4h



USBx_BDTPAGE3 field descriptions

Field	Description
BDTBA	Provides address bits 31 through 24 of the BDT base address that defines the location of Buffer Descriptor Table resides in system memory.

33.5.17 Endpoint Control register (USBx_ENDPTn)

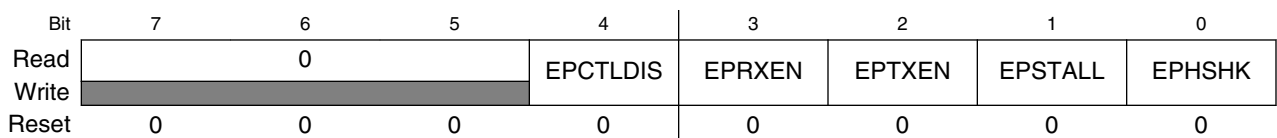
Contains the endpoint control bits for each of the 16 endpoints available within the USB module for a decoded address. The format for these registers is shown in the following figure. Endpoint 0 (ENDPT0) is associated with control pipe 0, which is required for all USB functions. Therefore, after a USBRST interrupt occurs the processor core should set ENDPT0 to contain 0x0D.

The three bits EPCTLDIS, EPRXEN, and EPTXEN define if an endpoint is enabled and define the direction of the endpoint. The endpoint enable/direction control is defined in the following table.

Table 33-7. Endpoint enable and direction control

EPCTLDIS	EPRXEN	EPTXEN	Endpoint enable/direction control
X	0	0	Disable endpoint
X	0	1	Enable endpoint for Tx transfers only
X	1	0	Enable endpoint for Rx transfers only
1	1	1	Enable endpoint for Rx and Tx transfers
0	1	1	Enable Endpoint for RX and TX as well as control (SETUP) transfers.

Address: 4007_2000h base + C0h offset + (4d × i), where i=0d to 15d



USBx_ENDPTn field descriptions

Field	Description
7-5 Reserved	This field is reserved. This read-only field is reserved and always has the value 0.
4 EPCTLDIS	This bit, when set, disables control (SETUP) transfers. When cleared, control transfers are enabled. This applies if and only if the EPRXEN and EPTXEN bits are also set. See Table 33-7
3 EPRXEN	This bit, when set, enables the endpoint for RX transfers. See Table 33-7
2 EPTXEN	This bit, when set, enables the endpoint for TX transfers. See Table 33-7
1 EPSTALL	When set this bit indicates that the endpoint is stalled. This bit has priority over all other control bits in this register, but it is only valid if EPTXEN=1 or EPRXEN=1. Any access to this endpoint causes the USB

Table continues on the next page...

USBx_ENDPTn field descriptions (continued)

Field	Description
	Module to return a STALL handshake. After an endpoint is stalled it requires intervention from the Host Controller.
0 EPHSHK	When set this bit enables an endpoint to perform handshaking during a transaction to this endpoint. This bit is generally 1 unless the endpoint is Isochronous.

33.5.18 USB Control register (USBx_USBCTRL)

Address: 4007_2000h base + 100h offset = 4007_2100h

Bit	7	6	5	4	3	2	1	0
Read	SUSP	PDE	0					
Write								
Reset	1	1	0	0	0	0	0	0

USBx_USBCTRL field descriptions

Field	Description
7 SUSP	Places the USB transceiver into the suspend state. 0 USB transceiver is not in suspend state. 1 USB transceiver is in suspend state.
6 PDE	Enables the weak pulldowns on the USB transceiver. 0 Weak pulldowns are disabled on D+ and D-. 1 Weak pulldowns are enabled on D+ and D-.
Reserved	This field is reserved. This read-only field is reserved and always has the value 0.

33.5.19 USB OTG Observe register (USBx_OBSERVE)

Provides visibility on the state of the pull-ups and pull-downs at the transceiver. Useful when interfacing to an external OTG control module via a serial interface.

Address: 4007_2000h base + 104h offset = 4007_2104h

Bit	7	6	5	4	3	2	1	0
Read	DPPU	DPPD	0	DMPD	0		0	
Write								
Reset	0	1	0	1	0	0	0	0

USBx_OBSERVE field descriptions

Field	Description
7 DPPU	Provides observability of the D+ Pullup signal output from USB . 0 D+ pullup disabled. 1 D+ pullup enabled.
6 DPPD	Provides observability of the D+ Pulldown signal output from USB. 0 D+ pulldown disabled. 1 D+ pulldown enabled.
5 Reserved	This field is reserved. This read-only field is reserved and always has the value 0.
4 DMPD	Provides observability of the D- Pulldown signal output from USB. 0 D- pulldown disabled. 1 D- pulldown enabled.
3-1 Reserved	This field is reserved. This read-only field is reserved and always has the value 0.
0 Reserved	This field is reserved. This read-only field is reserved and always has the value 0.

33.5.20 USB OTG Control register (USBx_CONTROL)

Address: 4007_2000h base + 108h offset = 4007_2108h

Bit	7	6	5	4
Read	0			DPPULLUPNONOTG
Write				
Reset	0	0	0	0
Bit	3	2	1	0
Read	0			
Write				
Reset	0	0	0	0

USBx_CONTROL field descriptions

Field	Description
7-5 Reserved	This field is reserved. This read-only field is reserved and always has the value 0.
4 DPPULLUPNONOTG	Provides control of the DP Pullup in USB, if USB is configured in non-OTG device mode. 0 DP Pullup in non-OTG device mode is not enabled. 1 DP Pullup in non-OTG device mode is enabled.
Reserved	This field is reserved. This read-only field is reserved and always has the value 0.

33.5.21 USB Transceiver Control register 0 (USBx_USBTRC0)

Includes signals for basic operation of the on-chip USB Full Speed transceiver and configuration of the USB data connection that are not otherwise included in the USB Full Speed controller registers.

Address: 4007_2000h base + 10Ch offset = 4007_210Ch

Bit	7	6	5	4
Read			USBRESMEN	0
Write	USBRESET	1		
Reset	0	0	0	0
Bit	3	2	1	0
Read	0	USB_CLK_RECOVERY_INT	SYNC_DET	USB_RESUME_INT
Write				
Reset	0	0	0	0

USBx_USBTRC0 field descriptions

Field	Description
7 USBRESET	<p>USB Reset</p> <p>Generates a hard reset to USB. After this bit is set and the reset occurs, this bit is automatically cleared.</p> <p>NOTE: This bit is always read as zero. Wait two USB clock cycles after setting this bit before accessing other USB register bitfields.</p> <p>0 Normal USB module operation. 1 Returns the USB module to its reset state.</p>
6 Reserved	<p>This field is reserved.</p> <p>NOTE: Software must set this bit to 1b.</p>
5 USBRESMEN	<p>Asynchronous Resume Interrupt Enable</p> <p>This bit, when set, allows the USB module to send an asynchronous wakeup event to the MCU upon detection of resume signaling on the USB bus. The MCU then re-enables clocks to the USB module. It is used for low-power suspend mode when USB module clocks are stopped or the USB transceiver is in Suspend mode. Async wakeup only works in device mode.</p> <p>0 USB asynchronous wakeup from suspend mode disabled. 1 USB asynchronous wakeup from suspend mode enabled. The asynchronous resume interrupt differs from the synchronous resume interrupt in that it asynchronously detects K-state using the unfiltered state of the D+ and D- pins. This interrupt should only be enabled when the Transceiver is suspended.</p>
4-3 Reserved	<p>This field is reserved. This read-only field is reserved and always has the value 0.</p>

Table continues on the next page...

USBx_USBTRC0 field descriptions (continued)

Field	Description
2 USB_CLK_ RECOVERY_INT	<p>Combined USB Clock Recovery interrupt status</p> <p>This read-only field will be set to value high at 1'b1 when any of USB clock recovery interrupt conditions are detected and those interrupts are unmasked.</p> <p>For customer use the only unmasked USB clock recovery interrupt condition results from an overflow of the frequency trim setting values indicating that the frequency trim calculated is out of the adjustment range of the IRC48M output clock.</p> <p>To clear this bit after it has been set, Write 0xFF to register USB_CLK_RECOVER_INT_STATUS.</p>
1 SYNC_DET	<p>Synchronous USB Interrupt Detect</p> <p>0 Synchronous interrupt has not been detected. 1 Synchronous interrupt has been detected.</p>
0 USB_RESUME_ INT	<p>USB Asynchronous Interrupt</p> <p>0 No interrupt was generated. 1 Interrupt was generated because of the USB asynchronous interrupt.</p>

33.5.22 Frame Adjust Register (USBx_USBFRMADJUST)

Address: 4007_2000h base + 114h offset = 4007_2114h

Bit	7	6	5	4	3	2	1	0
Read	ADJ							
Write								
Reset	0	0	0	0	0	0	0	0

USBx_USBFRMADJUST field descriptions

Field	Description
ADJ	<p>Frame Adjustment</p> <p>In Host mode, the frame adjustment is a twos complement number that adjusts the period of each USB frame in 12-MHz clock periods. A SOF is normally generated every 12,000 12-MHz clock cycles. The Frame Adjust Register can adjust this by -128 to +127 to compensate for inaccuracies in the USB 48-MHz clock. Changes to the ADJ bit take effect at the start of the next frame.</p>

33.5.23 USB Clock recovery control (USBx_CLK_RECOVER_CTRL)

Signals in this register control the crystal-less USB clock mode in which the internal IRC48M oscillator is tuned to match the clock extracted from the incoming USB data stream.

The IRC48M internal oscillator module must be enabled in register USB_CLK_RECOVER_IRC_EN for this mode.

Address: 4007_2000h base + 140h offset = 4007_2140h

Bit	7	6	5	4	3	2	1	0
Read	CLOCK_RECOVER_EN	RESET_RESUME_ROUGH_EN	RESTART_IFRTRIM_EN	Reserved		Reserved	Reserved	Reserved
Write								
Reset	0	0	0	0	0	0	0	0

USBx_CLK_RECOVER_CTRL field descriptions

Field	Description
7 CLOCK_RECOVER_EN	Crystal-less USB enable This bit must be enabled if user wants to use the crystal-less USB mode for the Full Speed USB controller and transceiver. NOTE: This bit should not be set for USB host mode or OTG. 0 Disable clock recovery block (default) 1 Enable clock recovery block
6 RESET_RESUME_ROUGH_EN	Reset/resume to rough phase enable The clock recovery block tracks the IRC48Mhz to get an accurate 48Mhz clock. It has two phases after user enables clock_recover_en bit, rough phase and tracking phase. The step to fine tune the IRC 48Mhz by adjusting the trim fine value is different during these two phases. The step in rough phase is larger than that in tracking phase. Switch back to rough stage whenever USB bus reset or bus resume occurs. 0 Always works in tracking phase after the first time rough to track transition (default) 1 Go back to rough stage whenever bus reset or bus resume occurs
5 RESTART_IFRTRIM_EN	Restart from IFR trim value IRC48 has a default trim fine value whose default value is factory trimmed (the IFR trim value). Clock recover block tracks the accuracy of the clock 48Mhz and keeps updating the trim fine value accordingly 0 Trim fine adjustment always works based on the previous updated trim fine value (default) 1 Trim fine restarts from the IFR trim value whenever bus_reset/bus_resume is detected or module enable is desasserted
4-3 Reserved	This field is reserved.
2 Reserved	This field is reserved. This bit is for NXP use only. Customers should not change this bit from its default state.
1 Reserved	This field is reserved. This bit is for NXP use only. Customers should not change this bit from its default state.
0 Reserved	This field is reserved. Default should not be changed

33.5.24 IRC48M oscillator enable register (USBx_CLK_RECOVER_IRC_EN)

Controls basic operation of the on-chip IRC48M module used to produce nominal 48MHz clocks for USB crystal-less operation and other functions.

Memory map/Register definitions

See additional information about the IRC48M operation in the Clock Distribution chapter.

Address: 4007_2000h base + 144h offset = 4007_2144h

Bit	7	6	5	4	3	2	1	0
Read	Reserved						IRC_EN	Reserved
Write	Reserved						IRC_EN	Reserved
Reset	0	0	0	0	0	0	0	1

USBx_CLK_RECOVER_IRC_EN field descriptions

Field	Description
7–2 Reserved	This field is reserved.
1 IRC_EN	IRC48M enable This bit is used to enable the on-chip IRC48Mhz module to generate clocks for crystal-less USB. It can be used for FS USB device mode operation. This bit must be set before using the crystal-less USB clock configuration. 0 Disable the IRC48M module (default) 1 Enable the IRC48M module
0 Reserved	This field is reserved.

33.5.25 Clock recovery combined interrupt enable (USBx_CLK_RECOVER_INT_EN)

Enables or masks the individual interrupt flags which are logically OR'ed together to produce the combined interrupt indication on the USB_CLK_RECOVERY_INT bit in the USB_USBTRC0 register if the indicated conditions have been detected in the USB clock recovery algorithm operation.

Address: 4007_2000h base + 154h offset = 4007_2154h

Bit	7	6	5	4	3	2	1	0
Read	Reserved			OVF_ ERROR_EN	Reserved			
Write	Reserved			OVF_ ERROR_EN	Reserved			
Reset	0	0	0	1	0	0	0	0

USBx_CLK_RECOVER_INT_EN field descriptions

Field	Description
7–5 Reserved	This field is reserved. Should always be written as 0.

Table continues on the next page...

USBx_CLK_RECOVER_INT_EN field descriptions (continued)

Field	Description
4 OVF_ERROR_EN	Determines whether OVF_ERROR condition signal is used in generation of USB_CLK_RECOVERY_INT. 0 The interrupt will be masked 1 The interrupt will be enabled (default)
Reserved	This field is reserved. Should always be written as 0.

33.5.26 Clock recovery separated interrupt status (USBx_CLK_RECOVER_INT_STATUS)

A Write operation with value high at 1'b1 on any combination of individual bits will clear those bits.

Address: 4007_2000h base + 15Ch offset = 4007_215Ch

Bit	7	6	5	4	3	2	1	0
Read	Reserved			OVF_ERROR	Reserved			
Write	w1c			w1c	w1c			
Reset	0	0	0	0	0	0	0	0

USBx_CLK_RECOVER_INT_STATUS field descriptions

Field	Description
7–5 Reserved	This field is reserved. Should always be written as 0.
4 OVF_ERROR	Indicates that the USB clock recovery algorithm has detected that the frequency trim adjustment needed for the IRC48M output clock is outside the available TRIM_FINE adjustment range for the IRC48M module. 0 No interrupt is reported 1 Unmasked interrupt has been generated
Reserved	This field is reserved. Should always be written as 0.

33.6 Device mode IRC48 operation

The following are the IRC48 initialization code steps:

1. Enable the IRC48M clock: USB_CLK_RECOVER_IRC_EN[IRC_EN] = 1b

Device mode IRC48 operation

2. Enable the USB clock recovery tuning:
USB_CLK_RECOVER_CTRL[CLOCK_RECOVER_EN] = 1b
3. Choose the clock source of USB by configuring the muxes in the SIM. MCG HIRC supplies the HIRC 48mhz clock by setting SIM_SOPT2[USBSRC] = 1b.
4. The USB clock source can be selected from the USB_CLKIN pad by setting SIM_SOPT2[USBSRC] = 0b.

For chip-specific details, see the USB FS OTG controller clocking information in the "Clock Distribution" chapter.

Chapter 34

USB Voltage Regulator (VREG)

34.1 Introduction

The USB Voltage Regulator module is a LDO linear voltage regulator to provide 3.3V power from an input power supply varying from 2.7 V to 5.5 V. It consists of one 3.3 V power channel. When the input power supply is below 3.6 V, the regulator goes to pass-through mode. The following figure shows the ideal relation between the regulator output and input power supply.

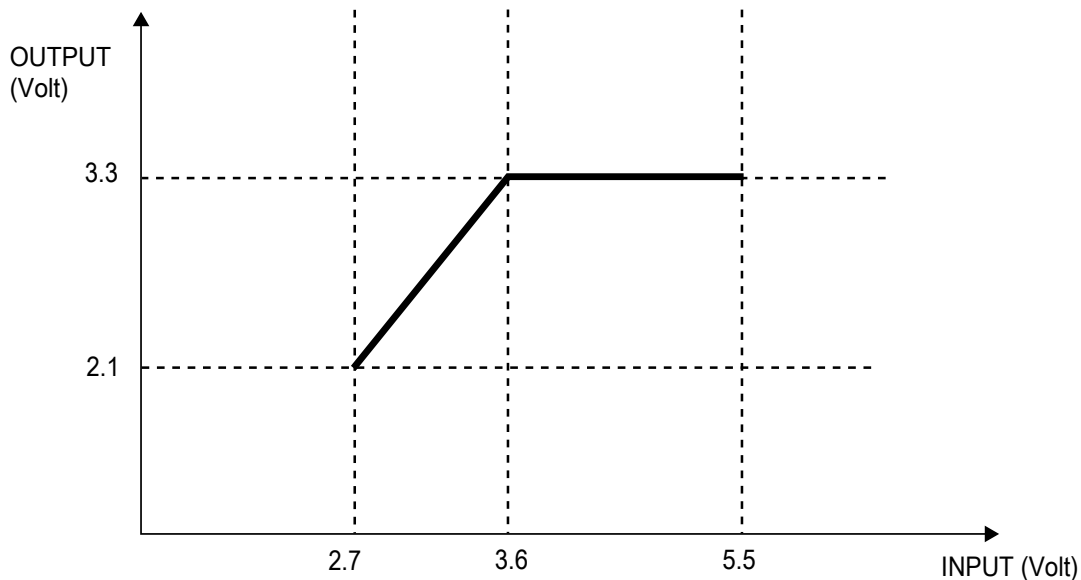


Figure 34-1. Ideal Relation Between the Regulator Output and Input Power Supply

34.1.1 Overview

A simplified block diagram for the USB Voltage Regulator module is shown below.

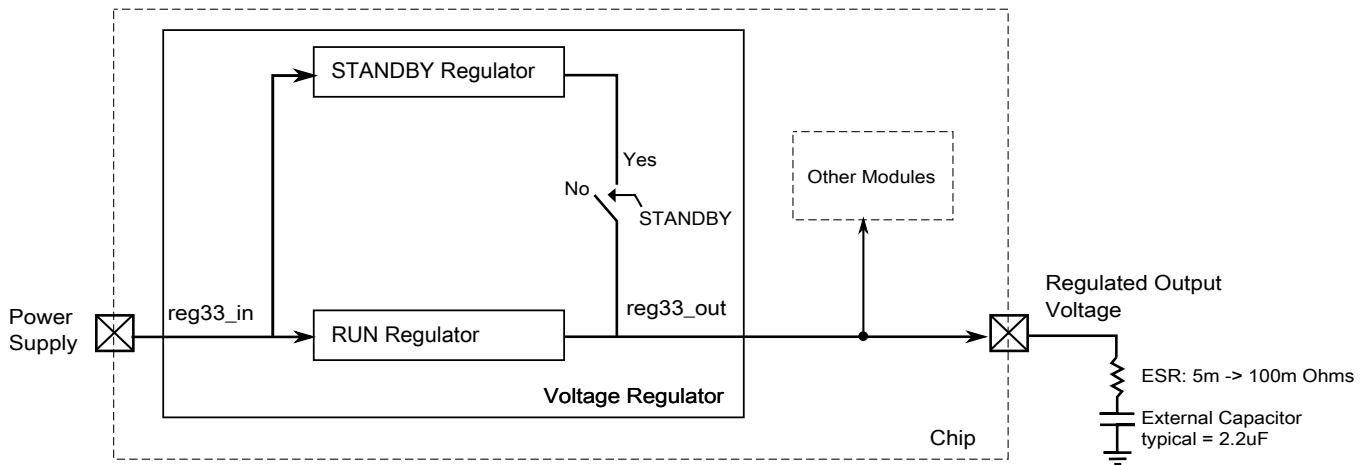


Figure 34-2. USB Voltage Regulator Block Diagram

This module uses 2 regulators in parallel. In run mode, the RUN regulator with the bandgap voltage reference is enabled and can provide up to 120 mA load current. In run mode, the STANDBY regulator and the low power reference are also enabled, but a switch disconnects its output from the external pin. In STANDBY mode, the RUN regulator is disabled and the STANDBY regulator output is connected to the external pin. Internal power mode signals control whether the module is in RUN or STANDBY mode.

34.1.2 Features

- Low drop-out linear voltage regulator with one power channel (3.3 V).
- Low drop-out voltage: 300 mV.
- Output current: 120 mA.
- Three different power modes: RUN, STANDBY and SHUTDOWN.
- Low quiescent current in RUN mode.
 - Typical value is around 120 μ A (one thousand times smaller than the maximum load current).
- Very low quiescent current in STANDBY mode.
 - Typical value is around 1 μ A.
- Automatic current limiting if the load current is greater than 290 mA.
- Automatic power-up once some voltage is applied to the regulator input.
- Pass-through mode for regulator input voltages less than 3.6 V

- Small output capacitor: 2.2 μ F
- Stable with aluminum, tantalum or ceramic capacitors.

34.1.3 Modes of Operation

The regulator has these power modes:

- **RUN**—The regulating loop of the RUN regulator and the STANDBY regulator are active, but the switch connecting the STANDBY regulator output to the external pin is open.
- **STANDBY**—The regulating loop of the RUN regulator is disabled and the standby regulator is active. The switch connecting the STANDBY regulator output to the external pin is closed.
- **SHUTDOWN**—The module is disabled.

The regulator is enabled by default. This means that once the power supply is provided, the module power-up sequence to RUN mode starts.

34.2 USB Voltage Regulator Module Signal Descriptions

The following table shows the external signals for the regulator.

Table 34-1. USB Voltage Regulator Module Signal Descriptions

Signal	Description	I/O
reg33_in	Unregulated power supply	I
reg33_out	Regulator output voltage	O

Chapter 35

Serial Peripheral Interface (SPI)

35.1 Chip-specific SPI information

This device contains two SPI modules that support 16-bit data length. SPI1 includes a 4-deep FIFO, SPI0 does not include FIFO. SPI0 is clocked on the bus clock. SPI1 is clocked from the system clock. SPI1 is therefore disabled in "Partial Stop Mode". The SPI supports DMA request and can operate in VLPS mode. When the SPI is operating in VLPS mode, it operates as a slave. SPI can wake the MCU from VLPS mode upon reception of SPI data in slave mode. SPI0 operates at maximum configurable speed — 12MHz in Master Mode (Bus/2). SPI1 operates at maximum configurable speed — 24MHz in Master Mode (System clock/2).

The following registers are not available in this device:

Table 35-1. SPI register

Absolute address	Register	Instance
0x4007_600A	SPI clear interrupt register (SPI0_CI)	SPI0
0x4007_600B	SPI control register 3 (SPI0_C3)	SPI0

NOTE

SPI0 has no SPI0_CI and SPI0_C3 and relative register bit in SPI0_S

35.2 Introduction

The serial peripheral interface (SPI) module provides for full-duplex, synchronous, serial communication between the MCU and peripheral devices. These peripheral devices can include other microcontrollers, analog-to-digital converters, shift registers, sensors, and memories, among others.

The SPI runs at a baud rate up to the SPI module clock divided by two in master mode and up to the SPI module clock divided by four in slave mode. Software can poll the status flags, or SPI operation can be interrupt driven.

NOTE

For the actual maximum SPI baud rate, refer to the Chip Configuration details and to the device's Data Sheet.

The SPI also supports a data length of 8 or 16 bits and includes a hardware match feature for the receive data buffer.

The SPI includes an internal DMA interface to support continuous SPI transmission through an on-chip DMA controller instead of through the CPU. This feature decreases CPU loading, allowing CPU time to be used for other work.

35.2.1 Features

The SPI includes these distinctive features:

- Master mode or slave mode operation
- Full-duplex or single-wire bidirectional mode
- Programmable transmit bit rate
- Double-buffered transmit and receive data register
- Serial clock phase and polarity options
- Slave select output
- Mode fault error flag with CPU interrupt capability
- Control of SPI operation during wait mode
- Selectable MSB-first or LSB-first shifting
- Programmable 8- or 16-bit data transmission length
- Receive data buffer hardware match feature
- 64-bit FIFO mode for high speed/large amounts of data transfers
- Support transmission of both Transmit and Receive by DMA

35.2.2 Modes of operation

The SPI functions in the following three modes.

- Run mode

This is the basic mode of operation.

- Wait mode

SPI operation in Wait mode is a configurable low power mode, controlled by the SPISWAI bit located in the SPIx_C2 register. In Wait mode, if C2[SPISWAI] is clear, the SPI operates like in Run mode. If C2[SPISWAI] is set, the SPI goes into a power conservative state, with the SPI clock generation turned off. If the SPI is configured as a master, any transmission in progress stops, but is resumed after CPU enters Run mode. If the SPI is configured as a slave, reception and transmission of a byte continues, so that the slave stays synchronized to the master.

- Stop mode

To reduce power consumption, the SPI is inactive in stop modes where the peripheral bus clock is stopped but internal logic states are retained. If the SPI is configured as a master, any transmission in progress stops, but is resumed after the CPU enters run mode. If the SPI is configured as a slave, reception and transmission of a data continues, so that the slave stays synchronized to the master.

The SPI is completely disabled in Stop modes where the peripheral bus clock is stopped and internal logic states are not retained. When the CPU wakes from these Stop modes, all SPI register content is reset.

Detailed descriptions of operating modes appear in [Low-power mode options](#).

35.2.3 Block diagrams

This section includes block diagrams showing SPI system connections, the internal organization of the SPI module, and the SPI clock dividers that control the master mode bit rate.

35.2.3.1 SPI system block diagram

The following figure shows the SPI modules of two MCUs connected in a master-slave arrangement. The master device initiates all SPI data transfers. During a transfer, the master shifts data out (on the MOSI pin) to the slave while simultaneously shifting data

in (on the MISO pin) from the slave. The transfer effectively exchanges the data that was in the SPI shift registers of the two SPI systems. The SPSCCK signal is a clock output from the master and an input to the slave. The slave device must be selected by a low level on the slave select input (SS pin). In this system, the master device has configured its SS pin as an optional slave select output.

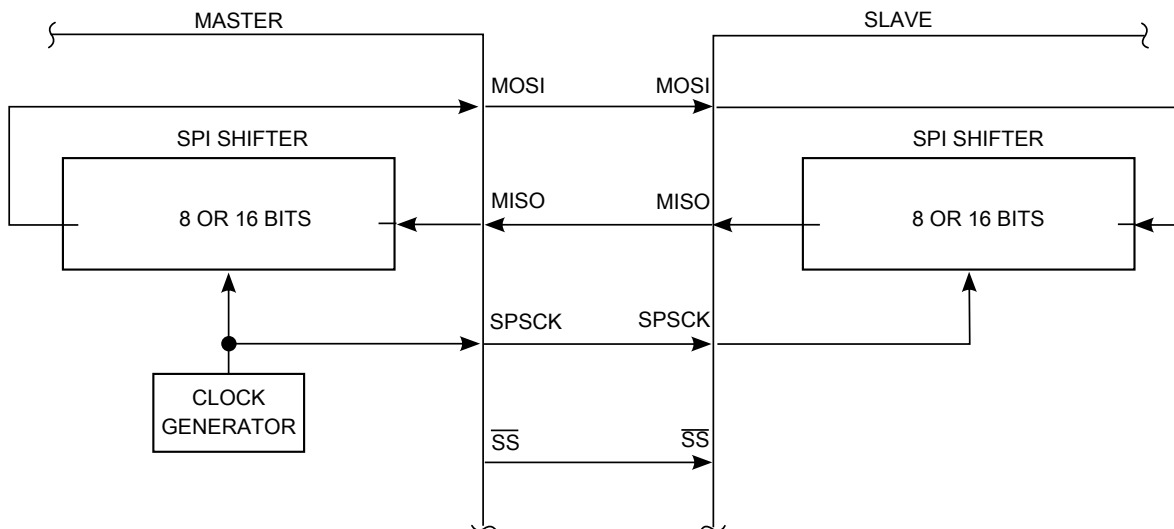


Figure 35-1. SPI system connections

35.2.3.2 SPI module block diagram

The following is a block diagram of the SPI module. The central element of the SPI is the SPI shift register. Data is written to the double-buffered transmitter (write to SPIx_DH:SPIx_DL) and gets transferred to the SPI Shift Register at the start of a data transfer. After shifting in 8 bits or 16 bits (as determined by the SPIMODE bit) of data, the data is transferred into the double-buffered receiver where it can be read from SPIx_DH:SPIx_DL. Pin multiplexing logic controls connections between MCU pins and the SPI module.

When the FIFO feature is supported: Additionally there is an 8-byte receive FIFO and an 8-byte transmit FIFO that (once enabled) provide features to allow fewer CPU interrupts to occur when transmitting/receiving high volume/high speed data. When FIFO mode is enabled, the SPI can still function in either 8-bit or 16-bit mode (as per SPIMODE bit) and three additional flags help monitor the FIFO status. Two of these flags can provide CPU interrupts.

When the SPI is configured as a master, the clock output is routed to the SPSCCK pin, the shifter output is routed to MOSI, and the shifter input is routed from the MISO pin.

When the SPI is configured as a slave, the SPSCCK pin is routed to the clock input of the SPI, the shifter output is routed to MISO, and the shifter input is routed from the MOSI pin.

In the external SPI system, simply connect all SPSCCK pins to each other, all MISO pins together, and all MOSI pins together. Peripheral devices often use slightly different names for these pins.

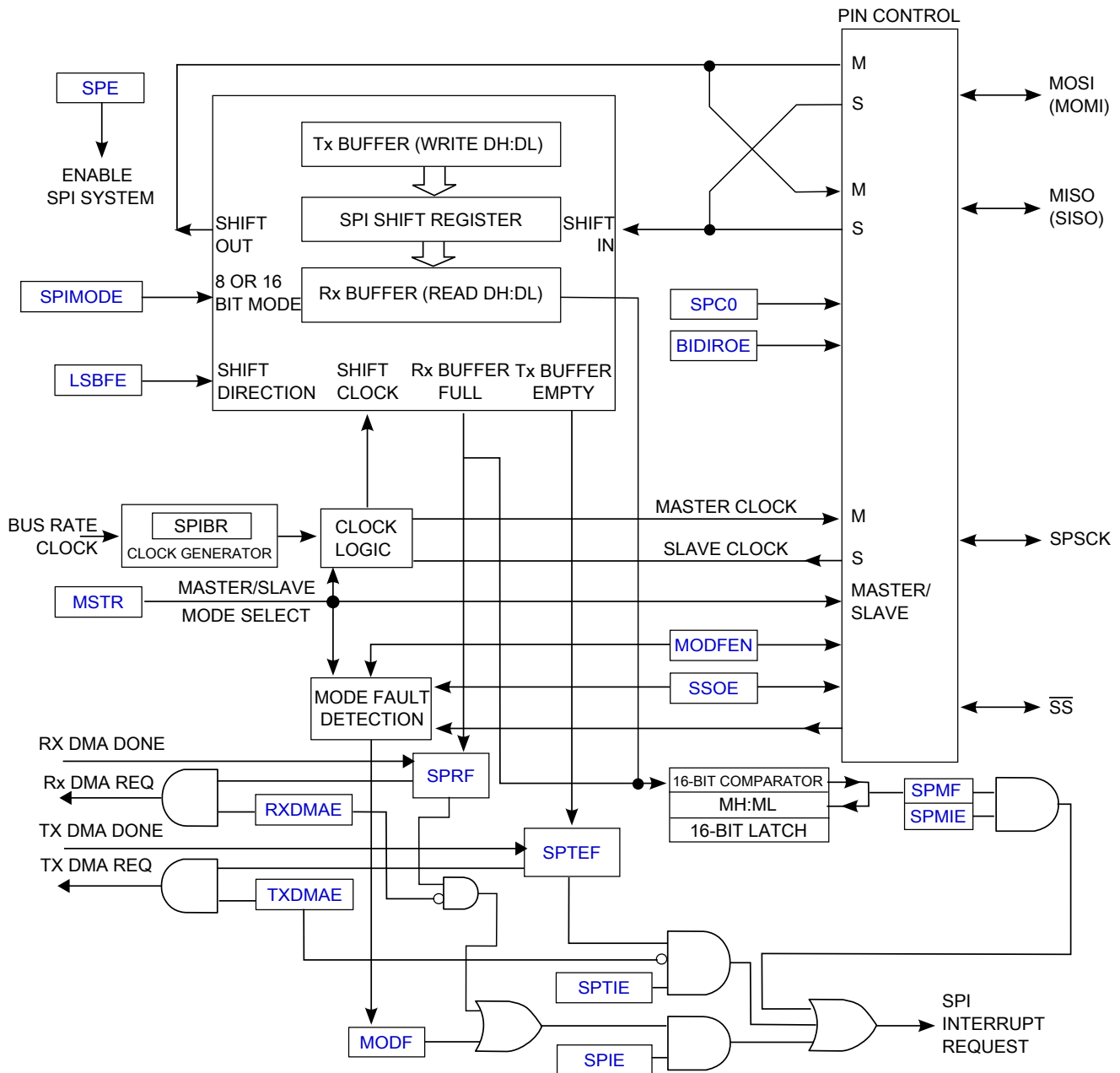


Figure 35-2. SPI module block diagram without FIFO

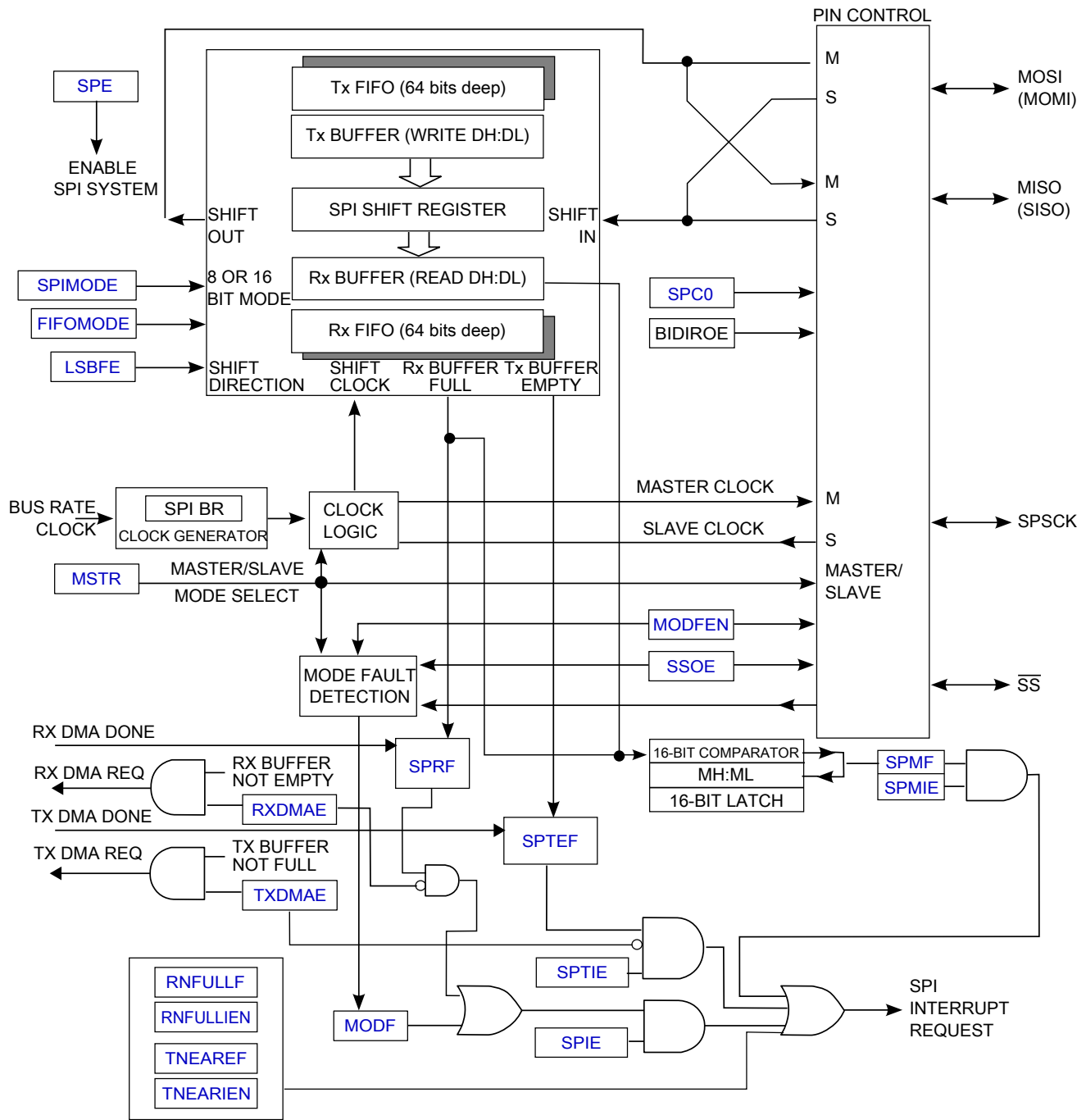


Figure 35-3. SPI Module Block Diagram with FIFO

35.3 External signal description

The SPI optionally shares four port pins. The function of these pins depends on the settings of SPI control bits. When the SPI is disabled (SPE = 0), these four pins revert to other functions that are not controlled by the SPI (based on chip configuration).

35.3.1 SPCK — SPI Serial Clock

When the SPI is enabled as a slave, this pin is the serial clock input. When the SPI is enabled as a master, this pin is the serial clock output.

35.3.2 MOSI — Master Data Out, Slave Data In

When the SPI is enabled as a master and SPI pin control zero (SPC0) is 0 (not bidirectional mode), this pin is the serial data output. When the SPI is enabled as a slave and SPC0 is 0, this pin is the serial data input. If SPC0 is 1 to select single-wire bidirectional mode, and master mode is selected, this pin becomes the bidirectional data I/O pin (MOMI). Also, the bidirectional mode output enable bit determines whether the pin acts as an input (BIDIROE is 0) or an output (BIDIROE is 1). If SPC0 is 1 and slave mode is selected, this pin is not used by the SPI and reverts to other functions (based on chip configuration).

35.3.3 MISO — Master Data In, Slave Data Out

When the SPI is enabled as a master and SPI pin control zero (SPC0) is 0 (not bidirectional mode), this pin is the serial data input. When the SPI is enabled as a slave and SPC0 is 0, this pin is the serial data output. If SPC0 is 1 to select single-wire bidirectional mode, and slave mode is selected, this pin becomes the bidirectional data I/O pin (SISO), and the bidirectional mode output enable bit determines whether the pin acts as an input (BIDIROE is 0) or an output (BIDIROE is 1). If SPC0 is 1 and master mode is selected, this pin is not used by the SPI and reverts to other functions (based on chip configuration).

35.3.4 \overline{SS} — Slave Select

When the SPI is enabled as a slave, this pin is the low-true slave select input. When the SPI is enabled as a master and mode fault enable is off (MODFEN is 0), this pin is not used by the SPI and reverts to other functions (based on chip configuration). When the SPI is enabled as a master and MODFEN is 1, the slave select output enable bit determines whether this pin acts as the mode fault input (SSOE is 0) or as the slave select output (SSOE is 1).

35.4 Memory map/register definition

The SPI has 8-bit registers to select SPI options, to control baud rate, to report SPI status, to hold an SPI data match value, and for transmit/receive data.

SPI memory map

Absolute address (hex)	Register name	Width (in bits)	Access	Reset value	Section/page
4007_6000	SPI Status Register (SPI0_S)	8	R/W	20h	35.4.1/588
4007_6001	SPI Baud Rate Register (SPI0_BR)	8	R/W	00h	35.4.2/592
4007_6002	SPI Control Register 2 (SPI0_C2)	8	R/W	00h	35.4.3/593
4007_6003	SPI Control Register 1 (SPI0_C1)	8	R/W	04h	35.4.4/595
4007_6004	SPI Match Register low (SPI0_ML)	8	R/W	00h	35.4.5/596
4007_6005	SPI match register high (SPI0_MH)	8	R/W	00h	35.4.6/597
4007_6006	SPI Data Register low (SPI0_DL)	8	R/W	00h	35.4.7/597
4007_6007	SPI data register high (SPI0_DH)	8	R/W	00h	35.4.8/598
4007_600A	SPI clear interrupt register (SPI0_CI)	8	R/W	00h	35.4.9/599
4007_600B	SPI control register 3 (SPI0_C3)	8	R/W	00h	35.4.10/600
4007_7000	SPI Status Register (SPI1_S)	8	R/W	20h	35.4.1/588
4007_7001	SPI Baud Rate Register (SPI1_BR)	8	R/W	00h	35.4.2/592
4007_7002	SPI Control Register 2 (SPI1_C2)	8	R/W	00h	35.4.3/593
4007_7003	SPI Control Register 1 (SPI1_C1)	8	R/W	04h	35.4.4/595
4007_7004	SPI Match Register low (SPI1_ML)	8	R/W	00h	35.4.5/596
4007_7005	SPI match register high (SPI1_MH)	8	R/W	00h	35.4.6/597
4007_7006	SPI Data Register low (SPI1_DL)	8	R/W	00h	35.4.7/597
4007_7007	SPI data register high (SPI1_DH)	8	R/W	00h	35.4.8/598
4007_700A	SPI clear interrupt register (SPI1_CI)	8	R/W	00h	35.4.9/599
4007_700B	SPI control register 3 (SPI1_C3)	8	R/W	00h	35.4.10/600

35.4.1 SPI Status Register (SPIx_S)

This register contains status bits.

NOTE

When the FIFO is not supported or not enabled (FIFOMODE is not present or is 0): Bits 3 through 0 are not implemented and always read 0.

When the FIFO is supported and enabled (FIFOMODE is 1): This register has four flags that provide mechanisms to support an 8-byte FIFO mode: RNFULLF, TNEAREF, TXFULLF, and RFIFOEF. When the SPI is in 8-byte FIFO mode, the function of SPRF and SPTEF differs slightly from their function in the normal buffered modes, mainly regarding how these flags are cleared by the amount available in the transmit and receive FIFOs.

- The RNFULLF and TNEAREF help improve the efficiency of FIFO operation when transferring large amounts of data. These flags provide a "watermark" feature of the FIFOs to allow continuous transmissions of data when running at high speed.
- The RNFULLF can generate an interrupt if the RNFULLIEN bit in the C3 register is set, which allows the CPU to start emptying the receive FIFO without delaying the reception of subsequent bytes. The user can also determine if all data in the receive FIFO has been read by monitoring the RFIFOEF.
- The TNEAREF can generate an interrupt if the TNEARIEN bit in the C3 register is set, which allows the CPU to start filling the transmit FIFO before it is empty and thus to prevent breaks in SPI transmission.

NOTE

At an initial POR, the values of TNEAREF and RFIFOEF are 0. However, the status (S) register and both TX and RX FIFOs are reset due to a change of SPI MODE, FIFOMODE or SPE. If this type of reset occurs and FIFOMODE is 0, TNEAREF and RFIFOEF continue to reset to 0. If this type of reset occurs and FIFOMODE is 1, TNEAREF and RFIFOEF reset to 1.

Address: Base address + 0h offset

Bit	7	6	5	4	3	2	1	0
Read	SPRF	SPMF	SPTEF	MODF	RNFULLF	TNEAREF	TXFULLF	RFIFOEF
Write		w1c						
Reset	0	0	1	0	0	0	0	0

SPIx_S field descriptions

Field	Description
7 SPRF	<p>SPI Read Buffer Full Flag (when FIFO is not supported or not enabled) or SPI read FIFO FULL flag (when FIFO is supported and enabled)</p> <p>When the FIFO is not supported or not enabled (FIFOMODE is not present or is 0): SPRF is set at the completion of an SPI transfer to indicate that received data may be read from the SPI data (DH:DL) register. When the receive DMA request is disabled (RXDMAE is 0), SPRF is cleared by reading SPRF while it is set and then reading the SPI data register. When the receive DMA request is enabled (RXDMAE</p>

Table continues on the next page...

SPIx_S field descriptions (continued)

Field	Description
	<p>is 1), SPRF is automatically cleared when the DMA transfer for the receive DMA request is completed (RX DMA Done is asserted).</p> <p>When FIFOMODE is 1: This bit indicates the status of the read FIFO when FIFOMODE is enabled. The SPRF is set when the read FIFO has received 64 bits (4 words or 8 bytes) of data from the shifter and there have been no CPU reads of the SPI data (DH:DL) register. When the receive DMA request is disabled (RXDMAE is 0), SPRF is cleared by reading the SPI data register, resulting in the FIFO no longer being full, assuming another SPI message is not received. When the receive DMA request is enabled (RXDMAE is 1), SPRF is automatically cleared when the first DMA transfer for the receive DMA request is completed (RX DMA Done is asserted).</p> <p>0 No data available in the receive data buffer (when FIFOMODE is not present or is 0) or Read FIFO is not full (when FIFOMODE is 1)</p> <p>1 Data available in the receive data buffer (when FIFOMODE is not present or is 0) or Read FIFO is full (when FIFOMODE is 1)</p>
6 SPMF	<p>SPI Match Flag</p> <p>SPMF is set after SPRF is 1 when the value in the receive data buffer matches the value in the MH:ML registers. To clear the flag, read SPMF when it is set and then write a 1 to it.</p> <p>0 Value in the receive data buffer does not match the value in the MH:ML registers</p> <p>1 Value in the receive data buffer matches the value in the MH:ML registers</p>
5 SPTEF	<p>SPI Transmit Buffer Empty Flag (when FIFO is not supported or not enabled) or SPI transmit FIFO empty flag (when FIFO is supported and enabled)</p> <p>When the FIFO is not supported or not enabled (FIFOMODE is not present or is 0): This bit is set when the transmit data buffer is empty. When the transmit DMA request is disabled (TXDMAE is 0), SPTEF is cleared by reading the S register with SPTEF set and then writing a data value to the transmit buffer at DH:DL. The S register must be read with SPTEF set to 1 before writing data to the DH:DL register; otherwise, the DH:DL write is ignored. When the transmit DMA request is enabled (TXDMAE is 1), SPTEF is automatically cleared when the DMA transfer for the transmit DMA request is completed (TX DMA Done is asserted). SPTEF is automatically set when all data from the transmit buffer transfers into the transmit shift register. For an idle SPI, data written to DH:DL is transferred to the shifter almost immediately so that SPTEF is set within two bus cycles, allowing a second set of data to be queued into the transmit buffer. After completion of the transfer of the data in the shift register, the queued data from the transmit buffer automatically moves to the shifter, and SPTEF is set to indicate that room exists for new data in the transmit buffer. If no new data is waiting in the transmit buffer, SPTEF simply remains set and no data moves from the buffer to the shifter.</p> <p>When the FIFO is not supported or not enabled (FIFOMODE is not present or is 0): If a transfer does not stop, the last data that was transmitted is sent out again.</p> <p>When the FIFO is supported and enabled (FIFOMODE is 1): This bit provides the status of the FIFO rather than an 8-bit or a 16-bit buffer. This bit is set when the transmit FIFO is empty. When the transmit DMA request is disabled (TXDMAE is 0), SPTEF is cleared by writing a data value to the transmit FIFO at DH:DL. When the transmit DMA request is enabled (TXDMAE is 1), SPTEF is automatically cleared when the DMA transfer for the transmit DMA request is completed (TX DMA Done is asserted). SPTEF is automatically set when all data from the transmit FIFO transfers into the transmit shift register. For an idle SPI, data written to the DH:DL register is transferred to the shifter almost immediately, so that SPTEF is set within two bus cycles. A second write of data to the DH:DL register clears this SPTEF flag. After completion of the transfer of the data in the shift register, the queued data from the transmit FIFO automatically moves to the shifter, and SPTEF will be set only when all data written to the transmit FIFO has been transferred to the shifter. If no new data is waiting in the transmit FIFO, SPTEF simply remains set and no data moves from the buffer to the shifter.</p>

Table continues on the next page...

SPIx_S field descriptions (continued)

Field	Description
	<p>0 SPI transmit buffer not empty (when FIFOMODE is not present or is 0) or SPI FIFO not empty (when FIFOMODE is 1)</p> <p>1 SPI transmit buffer empty (when FIFOMODE is not present or is 0) or SPI FIFO empty (when FIFOMODE is 1)</p>
4 MODF	<p>Master Mode Fault Flag</p> <p>MODF is set if the SPI is configured as a master and the slave select input goes low, indicating some other SPI device is also configured as a master. The \overline{SS} pin acts as a mode fault error input only when C1[MSTR] is 1, C2[MODFEN] is 1, and C1[SSOE] is 0; otherwise, MODF will never be set. MODF is cleared by reading MODF while it is 1 and then writing to the SPI Control Register 1 (C1).</p> <p>0 No mode fault error</p> <p>1 Mode fault error detected</p>
3 RNFULLF	<p>Receive FIFO nearly full flag</p> <p>This flag is set when more than three 16-bit words or six 8-bit bytes of data remain in the receive FIFO, provided C3[RNFULLF_MARK] is 0, or when more than two 16-bit words or four 8-bit bytes of data remain in the receive FIFO, provided C3[RNFULLF_MARK] is 1. It has no function if FIFOMODE is not present or is 0.</p> <p>0 Receive FIFO has received less than 48 bits (when C3[RNFULLF_MARK] is 0) or less than 32 bits (when C3[RNFULLF_MARK] is 1)</p> <p>1 Receive FIFO has received data of an amount equal to or greater than 48 bits (when C3[RNFULLF_MARK] is 0) or 32 bits (when C3[RNFULLF_MARK] is 1)</p>
2 TNEAREF	<p>Transmit FIFO nearly empty flag</p> <p>This flag is set when only one 16-bit word or two 8-bit bytes of data remain in the transmit FIFO, provided C3[TNEAREF_MARK] is 0, or when only two 16-bit words or four 8-bit bytes of data remain in the transmit FIFO, provided C3[TNEAREF_MARK] is 1. If FIFOMODE is not enabled, ignore this bit.</p> <p>NOTE: At an initial POR, the values of TNEAREF and RFIFOEF are 0. However, the status (S) register and both TX and RX FIFOs are reset due to a change of SPIMODE, FIFOMODE or SPE. If this type of reset occurs and FIFOMODE is 0, TNEAREF and RFIFOEF continue to reset to 0. If this type of reset occurs and FIFOMODE is 1, TNEAREF and RFIFOEF reset to 1.</p> <p>0 Transmit FIFO has more than 16 bits (when C3[TNEAREF_MARK] is 0) or more than 32 bits (when C3[TNEAREF_MARK] is 1) remaining to transmit</p> <p>1 Transmit FIFO has an amount of data equal to or less than 16 bits (when C3[TNEAREF_MARK] is 0) or 32 bits (when C3[TNEAREF_MARK] is 1) remaining to transmit</p>
1 TXFULLF	<p>Transmit FIFO full flag</p> <p>This bit indicates the status of the transmit FIFO when FIFOMODE is enabled. This flag is set when there are 8 bytes in the transmit FIFO. If FIFOMODE is not enabled, ignore this bit.</p> <p>When FIFOMODE and DMA are both enabled, the inverted TXFULLF is used to trigger a DMA transfer. So when the transmit FIFO is not full, the DMA request is active, and remains active until the FIFO is full.</p> <p>0 Transmit FIFO has less than 8 bytes</p> <p>1 Transmit FIFO has 8 bytes of data</p>
0 RFIFOEF	<p>SPI read FIFO empty flag</p> <p>This bit indicates the status of the read FIFO when FIFOMODE is enabled. If FIFOMODE is not enabled, ignore this bit.</p>

Table continues on the next page...

SPIx_S field descriptions (continued)

Field	Description
	When FIFOMODE and DMA are both enabled, the inverted RXIFOEFEF is used to trigger a DMA transfer. So when the receive FIFO is not empty, the DMA request is active, and remains active until the FIFO is empty.
	NOTE: At an initial POR, the values of TNEAREF and RFIFOEF are 0. However, the status (S) register and both TX and RX FIFOs are reset due to a change of SPIMODE, FIFOMODE or SPE. If this type of reset occurs and FIFOMODE is 0, TNEAREF and RFIFOEF continue to reset to 0. If this type of reset occurs and FIFOMODE is 1, TNEAREF and RFIFOEF reset to 1.
0	Read FIFO has data. Reads of the DH:DL registers in 16-bit mode or the DL register in 8-bit mode will empty the read FIFO.
1	Read FIFO is empty.

35.4.2 SPI Baud Rate Register (SPIx_BR)

Use this register to set the prescaler and bit rate divisor for an SPI master. This register may be read or written at any time.

Address: Base address + 1h offset

Bit	7	6	5	4	3	2	1	0
Read	0	SPPR[2:0]			SPR[3:0]			
Write	0	0			0			
Reset	0	0	0	0	0	0	0	0

SPIx_BR field descriptions

Field	Description
7 Reserved	This field is reserved. This read-only field is reserved and always has the value 0.
6-4 SPPR[2:0]	SPI Baud Rate Prescale Divisor This 3-bit field selects one of eight divisors for the SPI baud rate prescaler. The input to this prescaler is the SPI module clock. The output of this prescaler drives the input of the SPI baud rate divider. Refer to the description of “SPI Baud Rate Generation” for details. 000 Baud rate prescaler divisor is 1. 001 Baud rate prescaler divisor is 2. 010 Baud rate prescaler divisor is 3. 011 Baud rate prescaler divisor is 4. 100 Baud rate prescaler divisor is 5. 101 Baud rate prescaler divisor is 6. 110 Baud rate prescaler divisor is 7. 111 Baud rate prescaler divisor is 8.
SPR[3:0]	SPI Baud Rate Divisor

Table continues on the next page...

SPIx_BR field descriptions (continued)

Field	Description
	This 4-bit field selects one of nine divisors for the SPI baud rate divider. The input to this divider comes from the SPI baud rate prescaler. Refer to the description of “SPI Baud Rate Generation” for details.
0000	Baud rate divisor is 2.
0001	Baud rate divisor is 4.
0010	Baud rate divisor is 8.
0011	Baud rate divisor is 16.
0100	Baud rate divisor is 32.
0101	Baud rate divisor is 64.
0110	Baud rate divisor is 128.
0111	Baud rate divisor is 256.
1000	Baud rate divisor is 512.
All others	Reserved

35.4.3 SPI Control Register 2 (SPIx_C2)

This read/write register is used to control optional features of the SPI system.

Address: Base address + 2h offset

Bit	7	6	5	4	3	2	1	0
Read	SPMIE	SPIMODE	TXDMAE	MODFEN	BIDIROE	RXDMAE	SPISWAI	SPC0
Write								
Reset	0	0	0	0	0	0	0	0

SPIx_C2 field descriptions

Field	Description
7 SPMIE	<p>SPI Match Interrupt Enable</p> <p>This is the interrupt enable bit for the SPI receive data buffer hardware match (SPMF) function.</p> <p>0 Interrupts from SPMF inhibited (use polling) 1 When SPMF is 1, requests a hardware interrupt</p>
6 SPIMODE	<p>SPI 8-bit or 16-bit mode</p> <p>This bit allows the user to select either an 8-bit or 16-bit SPI data transmission length. In master mode, a change of this bit aborts a transmission in progress, forces the SPI system into an idle state, and resets all status bits in the S register. Refer to the description of “Data Transmission Length” for details.</p> <p>0 8-bit SPI shift register, match register, and buffers 1 16-bit SPI shift register, match register, and buffers</p>
5 TXDMAE	<p>Transmit DMA enable</p> <p>This bit enables a transmit DMA request. When this bit is set to 1, a transmit DMA request is asserted when both SPTEF and SPE are set, and the interrupt from SPTEF is disabled.</p>

Table continues on the next page...

SPIx_C2 field descriptions (continued)

Field	Description
	0 DMA request for transmit is disabled and interrupt from SPTEF is allowed 1 DMA request for transmit is enabled and interrupt from SPTEF is disabled
4 MODFEN	Master Mode-Fault Function Enable When the SPI is configured for slave mode, this bit has no meaning or effect. (The \overline{SS} pin is the slave select input.) In master mode, this bit determines how the \overline{SS} pin is used. For details, refer to the description of the SSOE bit in the C1 register. 0 Mode fault function disabled, master \overline{SS} pin reverts to general-purpose I/O not controlled by SPI 1 Mode fault function enabled, master \overline{SS} pin acts as the mode fault input or the slave select output
3 BIDIROE	Bidirectional Mode Output Enable When bidirectional mode is enabled because SPI pin control 0 (SPC0) is set to 1, BIDIROE determines whether the SPI data output driver is enabled to the single bidirectional SPI I/O pin. Depending on whether the SPI is configured as a master or a slave, it uses the MOSI (MOMI) or MISO (SISO) pin, respectively, as the single SPI data I/O pin. When SPC0 is 0, BIDIROE has no meaning or effect. 0 Output driver disabled so SPI data I/O pin acts as an input 1 SPI I/O pin enabled as an output
2 RXDMAE	Receive DMA enable This is the enable bit for a receive DMA request. When this bit is set to 1, a receive DMA request is asserted when both SPRF and SPE are set, and the interrupt from SPRF is disabled. 0 DMA request for receive is disabled and interrupt from SPRF is allowed 1 DMA request for receive is enabled and interrupt from SPRF is disabled
1 SPISWAI	SPI Stop in Wait Mode This bit is used for power conservation while the device is in Wait mode. 0 SPI clocks continue to operate in Wait mode. 1 SPI clocks stop when the MCU enters Wait mode.
0 SPC0	SPI Pin Control 0 Enables bidirectional pin configurations. 0 SPI uses separate pins for data input and data output (pin mode is normal). In master mode of operation: MISO is master in and MOSI is master out. In slave mode of operation: MISO is slave out and MOSI is slave in. 1 SPI configured for single-wire bidirectional operation (pin mode is bidirectional). In master mode of operation: MISO is not used by SPI; MOSI is master in when BIDIROE is 0 or master I/O when BIDIROE is 1. In slave mode of operation: MISO is slave in when BIDIROE is 0 or slave I/O when BIDIROE is 1; MOSI is not used by SPI.

35.4.4 SPI Control Register 1 (SPIx_C1)

This read/write register includes the SPI enable control, interrupt enables, and configuration options.

Address: Base address + 3h offset

Bit	7	6	5	4	3	2	1	0
Read	SPIE	SPE	SPTIE	MSTR	CPOL	CPHA	SSOE	LSBFE
Write								
Reset	0	0	0	0	0	1	0	0

SPIx_C1 field descriptions

Field	Description
7 SPIE	<p>SPI Interrupt Enable: for SPRF and MODF (when FIFO is not supported or not enabled) or for read FIFO (when FIFO is supported and enabled)</p> <p>When the FIFO is not supported or not enabled (FIFOMODE is not present or is 0): Enables the interrupt for SPI receive buffer full (SPRF) and mode fault (MODF) events.</p> <p>When the FIFO is supported and enabled (FIFOMODE is 1): This bit enables the SPI to interrupt the CPU when the receive FIFO is full. An interrupt occurs when the SPRF bit is set or the MODF bit is set.</p> <p>0 Interrupts from SPRF and MODF are inhibited—use polling (when FIFOMODE is not present or is 0) or Read FIFO Full Interrupts are disabled (when FIFOMODE is 1)</p> <p>1 Request a hardware interrupt when SPRF or MODF is 1 (when FIFOMODE is not present or is 0) or Read FIFO Full Interrupts are enabled (when FIFOMODE is 1)</p>
6 SPE	<p>SPI System Enable</p> <p>Enables the SPI system and dedicates the SPI port pins to SPI system functions. If SPE is cleared, the SPI is disabled and forced into an idle state, and all status bits in the S register are reset.</p> <p>0 SPI system inactive</p> <p>1 SPI system enabled</p>
5 SPTIE	<p>SPI Transmit Interrupt Enable</p> <p>When the FIFO is not supported or not enabled (FIFOMODE is not present or is 0): This is the interrupt enable bit for SPI transmit buffer empty (SPTEF). An interrupt occurs when the SPI transmit buffer is empty (SPTEF is set).</p> <p>When the FIFO is supported and enabled (FIFOMODE is 1): This is the interrupt enable bit for SPI transmit FIFO empty (SPTEF). An interrupt occurs when the SPI transmit FIFO is empty (SPTEF is set).</p> <p>0 Interrupts from SPTEF inhibited (use polling)</p> <p>1 When SPTEF is 1, hardware interrupt requested</p>
4 MSTR	<p>Master/Slave Mode Select</p> <p>Selects master or slave mode operation.</p> <p>0 SPI module configured as a slave SPI device</p> <p>1 SPI module configured as a master SPI device</p>

Table continues on the next page...

SPIx_C1 field descriptions (continued)

Field	Description
3 CPOL	<p>Clock Polarity</p> <p>Selects an inverted or non-inverted SPI clock. To transmit data between SPI modules, the SPI modules must have identical CPOL values.</p> <p>This bit effectively places an inverter in series with the clock signal either from a master SPI device or to a slave SPI device. Refer to the description of “SPI Clock Formats” for details.</p> <p>0 Active-high SPI clock (idles low) 1 Active-low SPI clock (idles high)</p>
2 CPHA	<p>Clock Phase</p> <p>Selects one of two clock formats for different kinds of synchronous serial peripheral devices. Refer to the description of “SPI Clock Formats” for details.</p> <p>0 First edge on SPSCCK occurs at the middle of the first cycle of a data transfer. 1 First edge on SPSCCK occurs at the start of the first cycle of a data transfer.</p>
1 SSOE	<p>Slave Select Output Enable</p> <p>This bit is used in combination with the Mode Fault Enable (MODFEN) field in the C2 register and the Master/Slave (MSTR) control bit to determine the function of the \overline{SS} pin.</p> <p>0 When C2[MODFEN] is 0: In master mode, \overline{SS} pin function is general-purpose I/O (not SPI). In slave mode, \overline{SS} pin function is slave select input.</p> <p>When C2[MODFEN] is 1: In master mode, \overline{SS} pin function is \overline{SS} input for mode fault. In slave mode, \overline{SS} pin function is slave select input.</p> <p>1 When C2[MODFEN] is 0: In master mode, \overline{SS} pin function is general-purpose I/O (not SPI). In slave mode, \overline{SS} pin function is slave select input.</p> <p>When C2[MODFEN] is 1: In master mode, \overline{SS} pin function is automatic \overline{SS} output. In slave mode: \overline{SS} pin function is slave select input.</p>
0 LSBFE	<p>LSB First (shifter direction)</p> <p>This bit does not affect the position of the MSB and LSB in the data register. Reads and writes of the data register always have the MSB in bit 7 (or bit 15 in 16-bit mode).</p> <p>0 SPI serial data transfers start with the most significant bit. 1 SPI serial data transfers start with the least significant bit.</p>

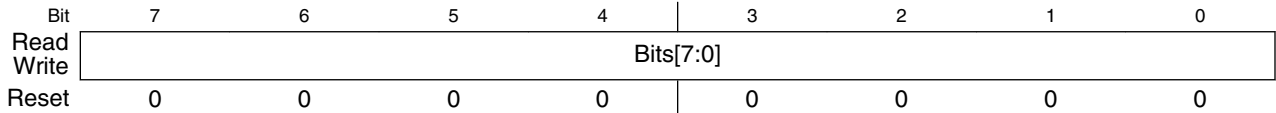
35.4.5 SPI Match Register low (SPIx_ML)

This register, together with the MH register, contains the hardware compare value. When the value received in the SPI receive data buffer equals this hardware compare value, the SPI Match Flag in the S register (S[SPMF]) sets.

In 8-bit mode, only the ML register is available. Reads of the MH register return all zeros. Writes to the MH register are ignored.

In 16-bit mode, reading either byte (the MH or ML register) latches the contents of both bytes into a buffer where they remain latched until the other byte is read. Writing to either byte (the MH or ML register) latches the value into a buffer. When both bytes have been written, they are transferred as a coherent value into the SPI match registers.

Address: Base address + 4h offset



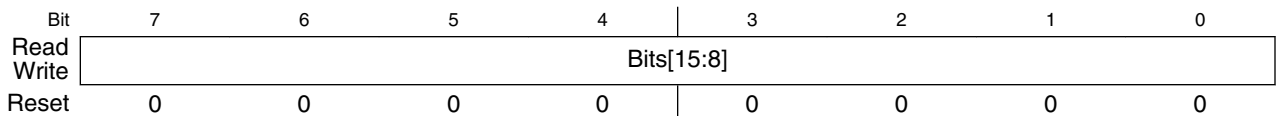
SPIx_ML field descriptions

Field	Description
Bits[7:0]	Hardware compare value (low byte)

35.4.6 SPI match register high (SPIx_MH)

Refer to the description of the ML register.

Address: Base address + 5h offset



SPIx_MH field descriptions

Field	Description
Bits[15:8]	Hardware compare value (high byte)

35.4.7 SPI Data Register low (SPIx_DL)

This register, together with the DH register, is both the input and output register for SPI data. A write to the registers writes to the transmit data buffer, allowing data to be queued and transmitted.

When the SPI is configured as a master, data queued in the transmit data buffer is transmitted immediately after the previous transmission has completed.

The SPTEF bit in the S register indicates when the transmit data buffer is ready to accept new data. When the transmit DMA request is disabled (TXDMAE is 0): The S register must be read when S[SPTEF] is set before writing to the SPI data registers; otherwise, the

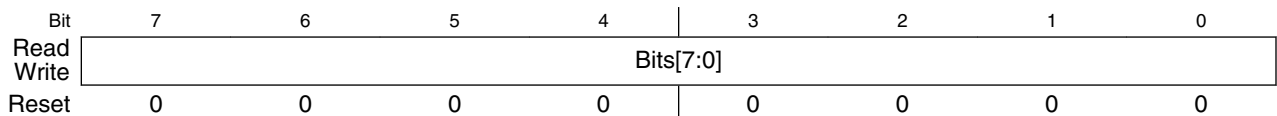
write is ignored. When the transmit DMA request is enabled (TXDMAE is 1) when S[SPTEF] is set, the SPI data registers can be written automatically by DMA without reading the S register first.

Data may be read from the SPI data registers any time after S[SPRF] is set and before another transfer is finished. Failure to read the data out of the receive data buffer before a new transfer ends causes a receive overrun condition, and the data from the new transfer is lost. The new data is lost because the receive buffer still held the previous character and was not ready to accept the new data. There is no indication for a receive overrun condition, so the application system designer must ensure that previous data has been read from the receive buffer before a new transfer is initiated.

In 8-bit mode, only the DL register is available. Reads of the DH register return all zeros. Writes to the DH register are ignored.

In 16-bit mode, reading either byte (the DH or DL register) latches the contents of both bytes into a buffer where they remain latched until the other byte is read. Writing to either byte (the DH or DL register) latches the value into a buffer. When both bytes have been written, they are transferred as a coherent 16-bit value into the transmit data buffer.

Address: Base address + 6h offset



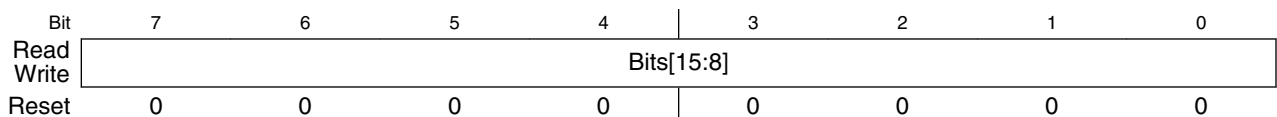
SPIx_DL field descriptions

Field	Description
Bits[7:0]	Data (low byte)

35.4.8 SPI data register high (SPIx_DH)

Refer to the description of the DL register.

Address: Base address + 7h offset



SPIx_DH field descriptions

Field	Description
Bits[15:8]	Data (high byte)

35.4.9 SPI clear interrupt register (SPIx_CI)

This register applies only for an instance of the SPI module that supports the FIFO feature.

The register has four bits dedicated to clearing the interrupts. Writing 1 to these bits clears the corresponding interrupts if the INTCLR bit in the C3 register is 1. Reading these bits always returns 0.

This register also has two read-only bits to indicate the transmit FIFO and receive FIFO overrun conditions. When the receive FIFO is full and data is received, RXFOF is set. Similarly, when the transmit FIFO is full and a write to the data register occurs, TXFOF is set. These flags are cleared when the CI register is read while the flags are set.

The register has two more read-only bits to indicate the error flags. These flags are set when, due to some spurious reason, entries in the FIFO total more than 64 bits of data. At this point, all the flags in the status register are reset, and entries in the FIFO are flushed with the corresponding error flags set. These flags are cleared when the CI register is read while the flags are set.

Address: Base address + Ah offset

Bit	7	6	5	4	3	2	1	0
Read	TXFERR	RXFERR	TXFOF	RXFOF	0	0	0	0
Write					TNEAREFCI	RNFULLFCI	SPTEFCI	SPRFCI
Reset	0	0	0	0	0	0	0	0

SPIx_CI field descriptions

Field	Description
7 TXFERR	Transmit FIFO error flag This flag indicates that a transmit FIFO error occurred because entries in the FIFO total more than 64 bits of data. 0 No transmit FIFO error occurred 1 A transmit FIFO error occurred
6 RXFERR	Receive FIFO error flag This flag indicates that a receive FIFO error occurred because entries in the FIFO total more than 64 bits of data. 0 No receive FIFO error occurred 1 A receive FIFO error occurred
5 TXFOF	Transmit FIFO overflow flag This flag indicates that a transmit FIFO overflow condition has occurred.

Table continues on the next page...

SPIx_CI field descriptions (continued)

Field	Description
	0 Transmit FIFO overflow condition has not occurred 1 Transmit FIFO overflow condition occurred
4 RXFOF	Receive FIFO overflow flag This flag indicates that a receive FIFO overflow condition has occurred. 0 Receive FIFO overflow condition has not occurred 1 Receive FIFO overflow condition occurred
3 TNEAREFCI	Transmit FIFO nearly empty flag clear interrupt Writing 1 to this bit clears the TNEAREF interrupt provided that C3[3] is set.
2 RNFULLFCI	Receive FIFO nearly full flag clear interrupt Writing 1 to this bit clears the RNFULLF interrupt provided that C3[3] is set.
1 SPTEFCI	Transmit FIFO empty flag clear interrupt Writing 1 to this bit clears the SPTEF interrupt provided that C3[3] is set.
0 SPRFCI	Receive FIFO full flag clear interrupt Writing 1 to this bit clears the SPRF interrupt provided that C3[3] is set.

35.4.10 SPI control register 3 (SPIx_C3)

This register introduces a 64-bit FIFO function on both transmit and receive buffers. It applies only for an instance of the SPI module that supports the FIFO feature.

FIFO mode is enabled by setting the FIFOMODE bit to 1. A write to this register occurs only when it sets the FIFOMODE bit to 1.

Using this FIFO feature allows the SPI to provide high speed transfers of large amounts of data without consuming large amounts of the CPU bandwidth.

Enabling this FIFO function affects the behavior of some of the read/write buffer flags in the S register as follows:

- When the receive FIFO has data in it, S[RFIFOEF] is 0. As a result:
 - If C2[RXDMAE] is 1, RFIFOEF_b generates a receive DMA request. The DMA request remains active until RFIFOEF is set to 1, indicating the receive buffer is empty.
 - If C2[RXDMAE] is 0 and C1[SPIE] is 1, SPRF interrupts the CPU.
- When the transmit FIFO is not full, S[TXFULLF] is 0. As a result:
 - If C2[TXDMAE] is 1, TXFULLF_b generates a transmit DMA request. The DMA request remains active until TXFULLF is set to 1, indicating the transmit FIFO is full.
 - If C2[TXDMAE] is 0 and C1[SPTIE] is 1, SPTEF interrupts the CPU.

Two interrupt enable bits, TNEARIEN and RNFULLIEN, provide CPU interrupts based on the "watermark" feature of the TNEARF and RNFULLF flags of the S register.

Address: Base address + Bh offset

Bit	7	6	5	4	3	2	1	0
Read	0		TNEAREF_	RNFULLF_	INTCLR	TNEARIEN	RNFULLIEN	FIFOMODE
Write			MARK	MARK				
Reset	0	0	0	0	0	0	0	0

SPIx_C3 field descriptions

Field	Description
7–6 Reserved	This field is reserved. This read-only field is reserved and always has the value 0.
5 TNEAREF_	Transmit FIFO nearly empty watermark This bit selects the mark after which the TNEAREF flag is asserted. 0 TNEAREF is set when the transmit FIFO has 16 bits or less 1 TNEAREF is set when the transmit FIFO has 32 bits or less
4 RNFULLF_	Receive FIFO nearly full watermark This bit selects the mark after which the RNFULLF flag is asserted. 0 RNFULLF is set when the receive FIFO has 48 bits or more 1 RNFULLF is set when the receive FIFO has 32 bits or more
3 INTCLR	Interrupt clearing mechanism select This bit selects the mechanism by which the SPRF, SPTEF, TNEAREF, and RNFULLF interrupts are cleared. 0 These interrupts are cleared when the corresponding flags are cleared depending on the state of the FIFOs 1 These interrupts are cleared by writing the corresponding bits in the CI register
2 TNEARIEN	Transmit FIFO nearly empty interrupt enable Writing 1 to this bit enables the SPI to interrupt the CPU when the TNEAREF flag is set. This bit is ignored and has no function if the FIFOMODE bit is 0. 0 No interrupt upon TNEAREF being set 1 Enable interrupts upon TNEAREF being set
1 RNFULLIEN	Receive FIFO nearly full interrupt enable Writing 1 to this bit enables the SPI to interrupt the CPU when the RNFULLF flag is set. This bit is ignored and has no function if the FIFOMODE bit is 0. 0 No interrupt upon RNFULLF being set 1 Enable interrupts upon RNFULLF being set
0 FIFOMODE	FIFO mode enable This bit enables the SPI to use a 64-bit FIFO (8 bytes or four 16-bit words) for both transmit and receive buffers. 0 FIFO mode disabled 1 FIFO mode enabled

35.5 Functional description

This section provides the functional description of the module.

35.5.1 General

The SPI system is enabled by setting the SPI enable (SPE) bit in SPI Control Register 1. While C1[SPE] is set, the four associated SPI port pins are dedicated to the SPI function as:

- Slave select (SS)
- Serial clock (SPSCK)
- Master out/slave in (MOSI)
- Master in/slave out (MISO)

An SPI transfer is initiated in the master SPI device by reading the SPI status register (SPIx_S) when S[SPTEF] = 1 and then writing data to the transmit data buffer (write to SPIx_DH:SPIx_DL). When a transfer is complete, received data is moved into the receive data buffer. The SPIx_DH:SPIx_DL registers act as the SPI receive data buffer for reads and as the SPI transmit data buffer for writes.

The Clock Phase Control (CPHA) and Clock Polarity Control (CPOL) bits in the SPI Control Register 1 (SPIx_C1) select one of four possible clock formats to be used by the SPI system. The CPOL bit simply selects a non-inverted or inverted clock. C1[CPHA] is used to accommodate two fundamentally different protocols by sampling data on odd numbered SPSCK edges or on even numbered SPSCK edges.

The SPI can be configured to operate as a master or as a slave. When the MSTR bit in SPI Control Register 1 is set, master mode is selected; when C1[MSTR] is clear, slave mode is selected.

35.5.2 Master mode

The SPI operates in master mode when C1[MSTR] is set. Only a master SPI module can initiate transmissions. A transmission begins by reading the SPIx_S register while S[SPTEF] = 1 and writing to the master SPI data registers. If the shift register is empty, the byte immediately transfers to the shift register. The data begins shifting out on the MOSI pin under the control of the serial clock.

- **SPSCK**
 - The SPR3, SPR2, SPR1, and SPR0 baud rate selection bits in conjunction with the SPPR2, SPPR1, and SPPR0 baud rate preselection bits in the SPI Baud Rate register control the baud rate generator and determine the speed of the transmission. The SPSCK pin is the SPI clock output. Through the SPSCK pin, the baud rate generator of the master controls the shift register of the slave peripheral.
- **MOSI, MISO pin**
 - In master mode, the function of the serial data output pin (MOSI) and the serial data input pin (MISO) is determined by the SPC0 and BIDIROE control bits.
- **\overline{SS} pin**
 - If C2[MODFEN] and C1[SSOE] are set, the SS pin is configured as slave select output. The SS output becomes low during each transmission and is high when the SPI is in idle state. If C2[MODFEN] is set and C1[SSOE] is cleared, the \overline{SS} pin is configured as input for detecting mode fault error. If the SS input becomes low this indicates a mode fault error where another master tries to drive the MOSI and SPSCK lines. In this case, the SPI immediately switches to slave mode by clearing C1[MSTR] and also disables the slave output buffer MISO (or SISO in bidirectional mode). As a result, all outputs are disabled, and SPSCK, MOSI and MISO are inputs. If a transmission is in progress when the mode fault occurs, the transmission is aborted and the SPI is forced into idle state. This mode fault error also sets the Mode Fault (MODF) flag in the SPI Status Register (SPIx_S). If the SPI Interrupt Enable bit (SPIE) is set when S[MODF] gets set, then an SPI interrupt sequence is also requested. When a write to the SPI Data Register in the master occurs, there is a half SPSCK-cycle delay. After the delay, SPSCK is started within the master. The rest of the transfer operation differs slightly, depending on the clock format specified by the SPI clock phase bit, CPHA, in SPI Control Register 1 (see [SPI clock formats](#)).

Note

A change of C1[CPOL], C1[CPHA], C1[SSOE], C1[LSBFE], C2[MODFEN], C2[SPC0], C2[BIDIROE] with C2[SPC0] set, SPIMODE, FIFOMODE, SPPR2-SPPR0 and SPR3-SPR0 in master mode abort a transmission in progress and force the SPI into idle state. The remote slave cannot detect this, therefore the master has to ensure that the remote slave is set back to idle state.

35.5.3 Slave mode

The SPI operates in slave mode when the MSTR bit in SPI Control Register 1 is clear.

- SPSCCK

In slave mode, SPSCCK is the SPI clock input from the master.

- MISO, MOSI pin

In slave mode, the function of the serial data output pin (MISO) and serial data input pin (MOSI) is determined by the SPC0 bit and BIDIROE bit in SPI Control Register 2.

- SS pin

The SS pin is the slave select input. Before a data transmission occurs, the SS pin of the slave SPI must be low. SS must remain low until the transmission is complete. If SS goes high, the SPI is forced into an idle state.

The SS input also controls the serial data output pin. If SS is high (not selected), the serial data output pin is high impedance. If SS is low, the first bit in the SPI Data Register is driven out of the serial data output pin. Also, if the slave is not selected (SS is high), then the SPSCCK input is ignored and no internal shifting of the SPI shift register occurs.

Although the SPI is capable of duplex operation, some SPI peripherals are capable of only receiving SPI data in a slave mode. For these simpler devices, there is no serial data out pin.

Note

When peripherals with duplex capability are used, take care not to simultaneously enable two receivers whose serial outputs drive the same system slave's serial data output line.

As long as no more than one slave device drives the system slave's serial data output line, it is possible for several slaves to receive the same transmission from a master, although the master would not receive return information from all of the receiving slaves.

If the CPHA bit in SPI Control Register 1 is clear, odd numbered edges on the SPSCCK input cause the data at the serial data input pin to be latched. Even numbered edges cause the value previously latched from the serial data input pin to shift into the LSB or MSB of the SPI shift register, depending on the LSBFE bit.

If C1[CPHA] is set, even numbered edges on the SPSCCK input cause the data at the serial data input pin to be latched. Odd numbered edges cause the value previously latched from the serial data input pin to shift into the LSB or MSB of the SPI shift register, depending on C1[LSBFE].

When C1[CPHA] is set, the first edge is used to get the first data bit onto the serial data output pin. When C1[CPHA] is clear and the SS input is low (slave selected), the first bit of the SPI data is driven out of the serial data output pin. After the eighth (SPIMODE = 0) or sixteenth (SPIMODE = 1) shift, the transfer is considered complete and the received data is transferred into the SPI Data register. To indicate transfer is complete, the SPRF flag in the SPI Status Register is set.

Note

A change of the bits FIFOMODE, SPIMODE, C2[BIDIROE] with C2[SPC0] set, C1[CPOL], C1[CPHA], C1[SSOE], C1[LSBFE], C2[MODFEN], and C2[SPC0] in slave mode will corrupt a transmission in progress and must be avoided.

35.5.4 SPI FIFO Mode

When the FIFO feature is supported: The SPI works in FIFO mode when the C3[FIFOMODE] bit is set. When the module is in FIFO mode, the SPI RX buffer and SPI TX buffer are replaced by an 8-byte-deep FIFO, as the following figures show.

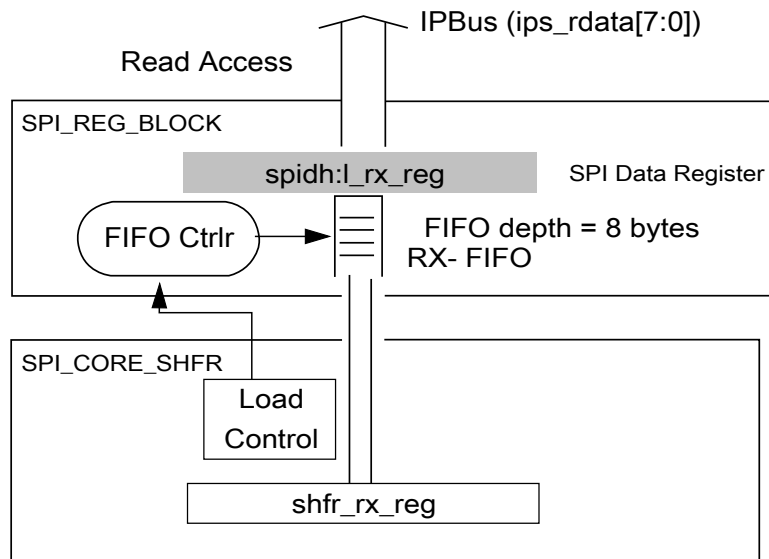


Figure 35-4. SPIH:L read side structural overview in FIFO mode

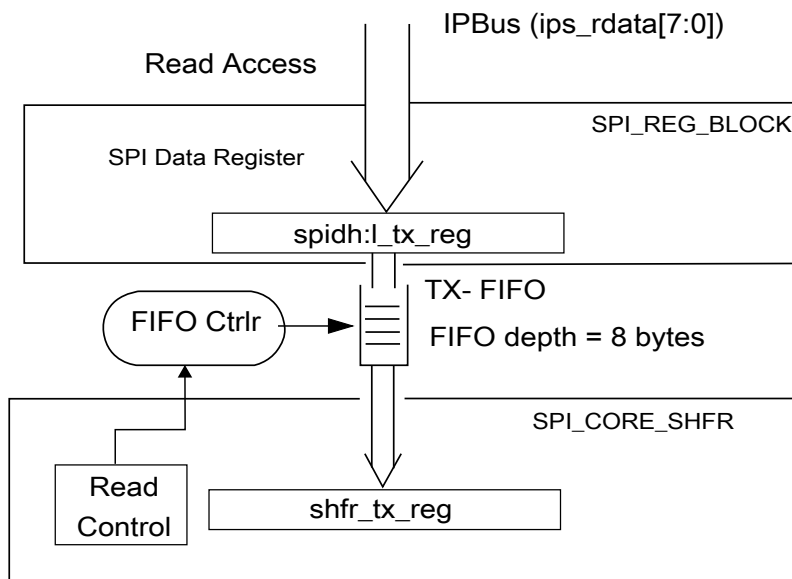


Figure 35-5. SPIH:L write side structural overview in FIFO mode

35.5.5 SPI Transmission by DMA

SPI supports both Transmit and Receive by DMA. The basic flow of SPI transmission by DMA is as below.

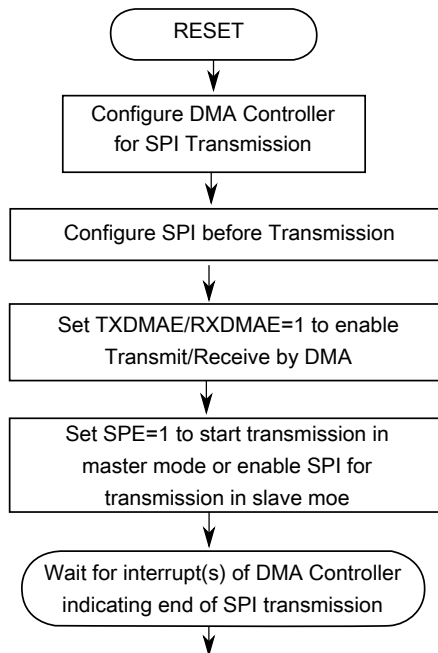


Figure 35-6. Basic Flow of SPI Transmission by DMA

35.5.5.1 Transmit by DMA

Transmit by DMA is supported only when TXDMAE is set. A transmit DMA request is asserted when both SPE and SPTEF are set. Then the on-chip DMA controller detects this request and transfers data from memory into the SPI data register. After that, TX DMA DONE is asserted to clear SPTEF automatically. This process repeats until all data for transmission (the number is decided by the configuration register[s] of the DMA controller) is sent.

When the FIFO feature is supported: In FIFO mode (FIFOMODE=1) and when a data length of 8 bits is selected (SPIMODE=0), the DMA transfer for one transmit DMA request can write more than 1 byte (up to 8 bytes) to the DL register because the TX FIFO can store 8 bytes of transmit data. In FIFO mode (FIFOMODE=1) and when a data length of 16 bits is selected (SPIMODE=1), the DMA transfer for one transmit DMA request can write more than 1 word (up to 4 words) to the DH:DL registers because the TX FIFO can store 4 words of transmit data. A larger number of bytes or words transferred from memory to the SPI data register for each transmit DMA request results in a lower total number of transmit DMA requests.

When FIFOMODE is 0: Cycle Steal (DMA_DCRn[CS] = 1) should be enabled when using the DMA controller to transfer data from memory to the SPI data register. The DMA performs a single data transfer per DMA request in cycle steal mode. Therefore, a single byte/word is written to the SPI data register from memory and transmitted by the SPI module for each DMA request, as long as the BCR value is greater than zero (DMA_DSR_BCRn[BCR] > 0). Once the BCR has reached zero, software must reconfigure the DMA controller if more data is to be transmitted. If a configuration error occurs (DMA_DSR_BCRn[CE] = 1) when the BCR is equal to 0, software must:

- disable peripheral requests when the BCR is equal to 0,
- perform 16-bit transfers (SPIMODE = 1), or
- decrease the SPI baud rate.

Software can disable peripheral requests by setting DMA_DCRn[D_REQ] = 1 when initializing the DMA controller, or by clearing DMA_DCRn[ERQ] once the BCR is equal to zero. Also, to continue transmitting data software must re-enable peripheral requests (DMA_DCRn[ERQ] = 1) after reconfiguring the DMA controller.

35.5.5.2 Receive by DMA

Receive by DMA is supported only when RXDMAE is set. A receive DMA request is asserted when both SPE and SPRF are set. Then the on-chip DMA controller detects this request and transfers data from the SPI data register into memory. After that, RX DMA DONE is asserted to clear SPRF automatically. This process repeats until all data to be

received (the number is decided by configuration register[s] of the DMA controller) is received or no receive DMA request is generated again because the SPI transmission is finished.

When the FIFO feature is supported: In FIFO mode (FIFOMODE=1) and when a data length of 8 bits is selected (SPIMODE=0), the DMA transfer for one receive DMA request can read more than 1 byte (up to 8 bytes) from the SPI data register because the RX FIFO can hold 8 bytes. In FIFO mode (FIFOMODE=1) and when a data length of 16 bits is selected (SPIMODE=1), the DMA transfer for one receive DMA request can read more than 1 word (up to 4 words) from the DH:DL registers because the RX FIFO can hold 4 words. A larger number of bytes or words transferred from the SPI data register to memory for one receive DMA request results in a lower total number of receive DMA requests.

35.5.6 Data Transmission Length

The SPI can support data lengths of 8 or 16 bits. The length can be configured with the SPIMODE bit in the SPIx_C2 register.

In 8-bit mode (SPIMODE = 0), the SPI Data Register is comprised of one byte: SPIx_DL. The SPI Match Register is also comprised of only one byte: SPIx_ML. Reads of SPIx_DH and SPIx_MH will return zero. Writes to SPIx_DH and SPIx_MH will be ignored.

In 16-bit mode (SPIMODE = 1), the SPI Data Register is comprised of two bytes: SPIx_DH and SPIx_DL. Reading either byte (SPIx_DH or SPIx_DL) latches the contents of both bytes into a buffer where they remain latched until the other byte is read. Writing to either byte (SPIx_DH or SPIx_DL) latches the value into a buffer. When both bytes have been written, they are transferred as a coherent 16-bit value into the transmit data buffer.

In 16-bit mode, the SPI Match Register is also comprised of two bytes: SPIx_MH and SPIx_ML. There is no buffer mechanism for the reading of SPIxMH and SPIxML since they can only be changed by writing at CPU side. Writing to either byte (SPIx_MH or SPIx_ML) latches the value into a buffer. When both bytes have been written, they are transferred as a coherent 16-bit value into the SPI Match Register.

Any switching between 8- and 16-bit data transmission length (controlled by SPIMODE bit) in master mode will abort a transmission in progress, force the SPI system into idle state, and reset all status bits in the SPIx_S register. To initiate a transfer after writing to SPIMODE, the SPIx_S register must be read with SPTEF = 1, and data must be written to SPIx_DH:SPIx_DL in 16-bit mode (SPIMODE = 1) or SPIx_DL in 8-bit mode (SPIMODE = 0).

In slave mode, user software should write to SPIMODE only once to prevent corrupting a transmission in progress.

Note

Data can be lost if the data length is not the same for both master and slave devices.

35.5.7 SPI clock formats

To accommodate a wide variety of synchronous serial peripherals from different manufacturers, the SPI system has a Clock Polarity (CPOL) bit and a Clock Phase (CPHA) control bit in the Control Register 1 to select one of four clock formats for data transfers. C1[CPOL] selectively inserts an inverter in series with the clock. C1[CPHA] chooses between two different clock phase relationships between the clock and data.

The following figure shows the clock formats when SPIMODE = 0 (8-bit mode) and CPHA = 1. At the top of the figure, the eight bit times are shown for reference with bit 1 starting at the first SPSCCK edge and bit 8 ending one-half SPSCCK cycle after the eighth SPSCCK edge. The MSB first and LSB first lines show the order of SPI data bits depending on the setting in LSBFE. Both variations of SPSCCK polarity are shown, but only one of these waveforms applies for a specific transfer, depending on the value in C1[CPOL]. The SAMPLE IN waveform applies to the MOSI input of a slave or the MISO input of a master. The MOSI waveform applies to the MOSI output pin from a master and the MISO waveform applies to the MISO output from a slave. The \overline{SS} OUT waveform applies to the slave select output from a master (provided C2[MODFEN] and C1[SSOE] = 1). The master \overline{SS} output goes to active low one-half SPSCCK cycle before the start of the transfer and goes back high at the end of the eighth bit time of the transfer. The \overline{SS} IN waveform applies to the slave select input of a slave.

Functional description

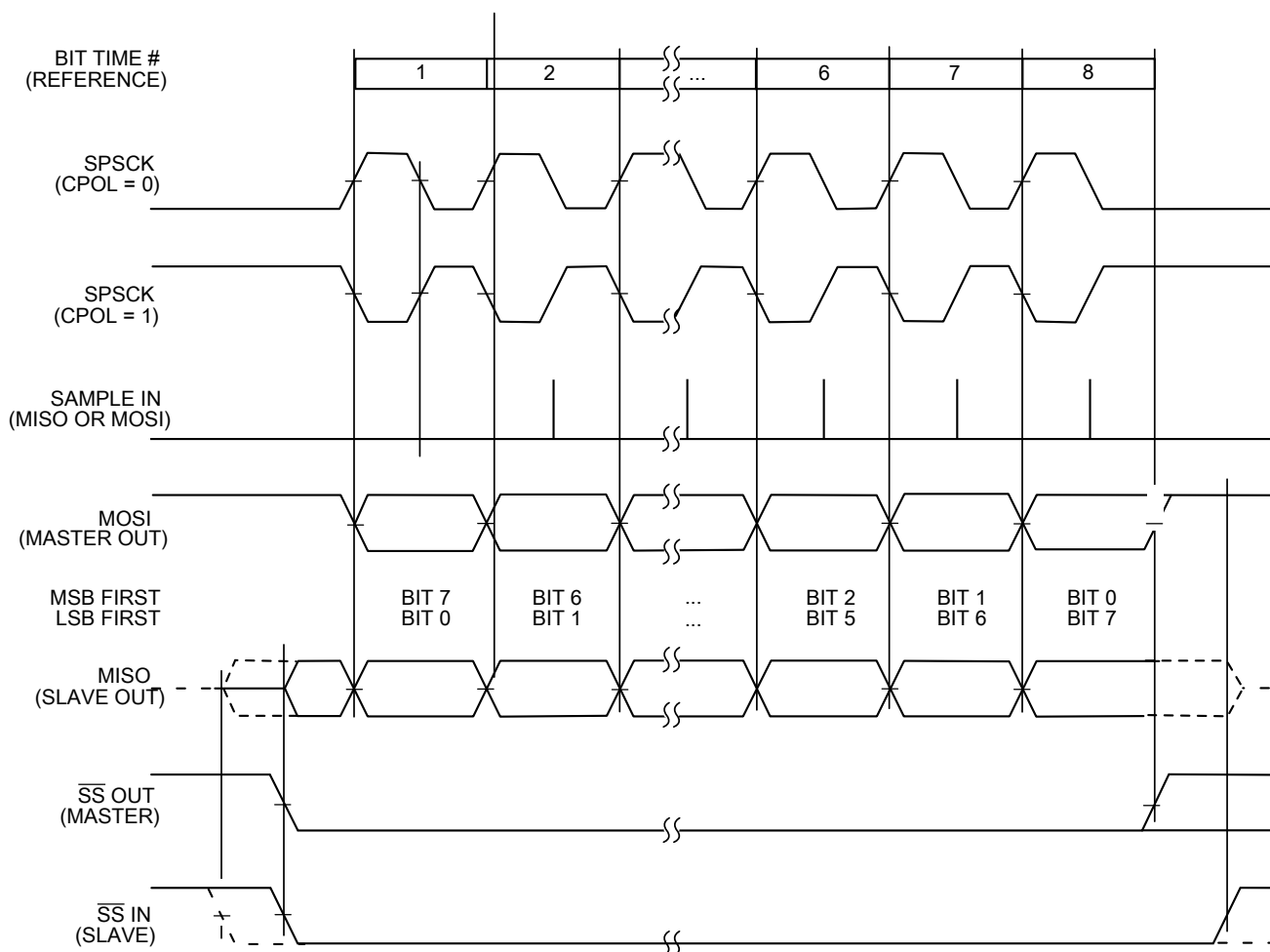


Figure 35-7. SPI clock formats (CPHA = 1)

When $C1[CPHA] = 1$, the slave begins to drive its MISO output when \overline{SS} goes to active low, but the data is not defined until the first SPSCCK edge. The first SPSCCK edge shifts the first bit of data from the shifter onto the MOSI output of the master and the MISO output of the slave. The next SPSCCK edge causes both the master and the slave to sample the data bit values on their MISO and MOSI inputs, respectively. At the third SPSCCK edge, the SPI shifter shifts one bit position which shifts in the bit value that was just sampled, and shifts the second data bit value out the other end of the shifter to the MOSI and MISO outputs of the master and slave, respectively.

When $C1[CPHA] = 1$, the slave's \overline{SS} input is not required to go to its inactive high level between transfers. In this clock format, a back-to-back transmission can occur, as follows:

1. A transmission is in progress.
2. A new data byte is written to the transmit buffer before the in-progress transmission is complete.
3. When the in-progress transmission is complete, the new, ready data byte is transmitted immediately.

Between these two successive transmissions, no pause is inserted; the \overline{SS} pin remains low.

The following figure shows the clock formats when $SPIMODE = 0$ and $C1[CPHA] = 0$. At the top of the figure, the eight bit times are shown for reference with bit 1 starting as the slave is selected (\overline{SS} IN goes low), and bit 8 ends at the last SPSCCK edge. The MSB first and LSB first lines show the order of SPI data bits depending on the setting in $LSBFE$. Both variations of SPSCCK polarity are shown, but only one of these waveforms applies for a specific transfer, depending on the value in $CPOL$. The SAMPLE IN waveform applies to the MOSI input of a slave or the MISO input of a master. The MOSI waveform applies to the MOSI output pin from a master and the MISO waveform applies to the MISO output from a slave. The \overline{SS} OUT waveform applies to the slave select output from a master (provided $C2[MODFEN]$ and $C1[SSOE] = 1$). The master \overline{SS} output goes to active low at the start of the first bit time of the transfer and goes back high one-half SPSCCK cycle after the end of the eighth bit time of the transfer. The \overline{SS} IN waveform applies to the slave select input of a slave.

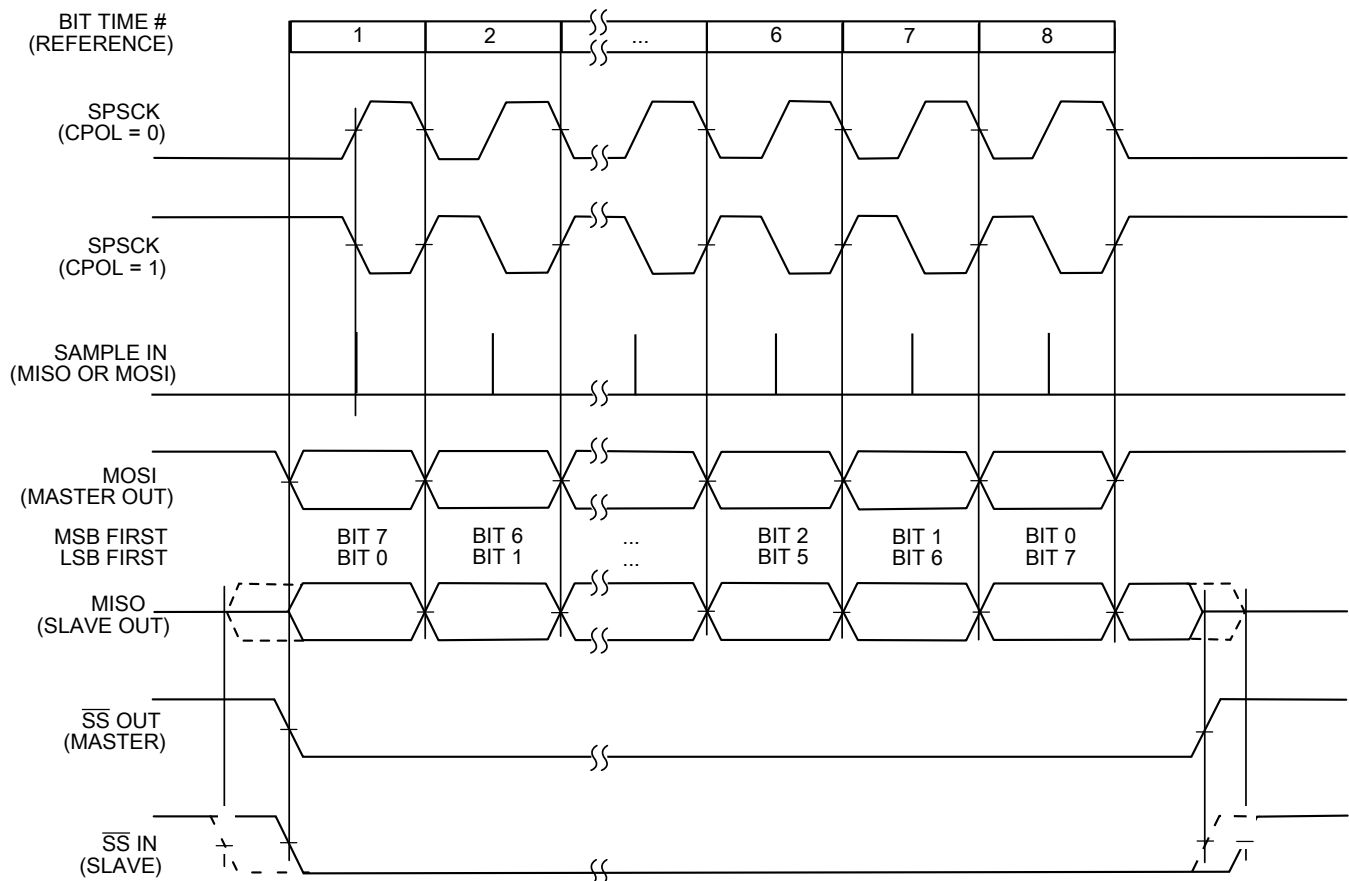


Figure 35-8. SPI clock formats (CPHA = 0)

When C1[CPHA] = 0, the slave begins to drive its MISO output with the first data bit value (MSB or LSB depending on LSBFE) when SS goes to active low. The first SPSCCK edge causes both the master and the slave to sample the data bit values on their MISO and MOSI inputs, respectively. At the second SPSCCK edge, the SPI shifter shifts one bit position which shifts in the bit value that was just sampled and shifts the second data bit value out the other end of the shifter to the MOSI and MISO outputs of the master and slave, respectively. When C1[CPHA] = 0, the slave's SS input must go to its inactive high level between transfers.

35.5.8 SPI baud rate generation

As shown in the following figure, the clock source for the SPI baud rate generator is the SPI module clock. The prescale bits (SPPR2:SPPR1:SPPR0) choose a prescale divisor of 1, 2, 3, 4, 5, 6, 7, or 8. The rate-select bits (SPR3:SPR2:SPR1:SPR0) divide the output of the prescaler stage by 2, 4, 8, 16, 32, 64, 128, 256, or 512 to get the internal SPI master mode bit-rate clock.

The baud rate generator is activated only when the SPI is in the master mode and a serial transfer is taking place. In the other cases, the divider is disabled to decrease I_{DD} current.

The baud rate divisor equation is as follows (except those reserved combinations in the SPI Baud Rate Divisor table).

$$\text{BaudRateDivisor} = (\text{SPPR} + 1) \times 2^{(\text{SPR} + 1)}$$

The baud rate can be calculated with the following equation:

$$\text{BaudRate} = \text{SPI Module Clock} / \text{BaudRateDivisor}$$

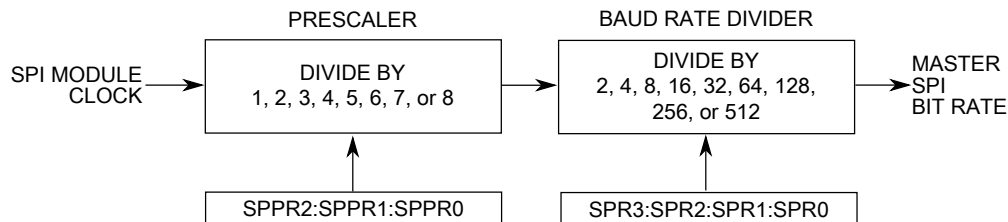


Figure 35-9. SPI baud rate generation

35.5.9 Special features

The following section describes the special features of SPI module.

35.5.9.1 \overline{SS} Output

The \overline{SS} output feature automatically drives the \overline{SS} pin low during transmission to select external devices and drives the \overline{SS} pin high during idle to deselect external devices. When the \overline{SS} output is selected, the \overline{SS} output pin is connected to the \overline{SS} input pin of the external device.

The \overline{SS} output is available only in master mode during normal SPI operation by asserting C1[SSOE] and C2[MODFEN] as shown in the description of C1[SSOE].

The mode fault feature is disabled while \overline{SS} output is enabled.

Note

Be careful when using the \overline{SS} output feature in a multimaster system because the mode fault feature is not available for detecting system errors between masters.

35.5.9.2 Bidirectional mode (MOMI or SISO)

The bidirectional mode is selected when the SPC0 bit is set in SPI Control Register 2 (see the following table). In this mode, the SPI uses only one serial data pin for the interface with one or more external devices. C1[MSTR] decides which pin to use. The MOSI pin becomes the serial data I/O (MOMI) pin for the master mode, and the MISO pin becomes serial data I/O (SISO) pin for the slave mode. The MISO pin in master mode and MOSI pin in slave mode are not used by the SPI.

Table 35-2. Normal Mode and Bidirectional Mode

When SPE = 1	Master Mode MSTR = 1	Slave Mode MSTR = 0
Normal Mode SPC0 = 0		
Bidirectional Mode SPC0 = 1		

The direction of each serial I/O pin depends on C2[BIDIROE]. If the pin is configured as an output, serial data from the shift register is driven out on the pin. The same pin is also the serial input to the shift register.

The SPSCCK is an output for the master mode and an input for the slave mode.

\overline{SS} is the input or output for the master mode, and it is always the input for the slave mode.

The bidirectional mode does not affect SPSCCK and \overline{SS} functions.

Note

In bidirectional master mode, with the mode fault feature enabled, both data pins MISO and MOSI can be occupied by the SPI, though MOSI is normally used for transmissions in bidirectional mode and MISO is not used by the SPI. If a mode fault occurs, the SPI is automatically switched to slave mode. In this case, MISO becomes occupied by the SPI and MOSI is not used. Consider this scenario if the MISO pin is used for another purpose.

35.5.10 Error conditions

The SPI module has one error condition: the mode fault error.

35.5.10.1 Mode fault error

If the \overline{SS} input becomes low while the SPI is configured as a master, it indicates a system error where more than one master may be trying to drive the MOSI and SPSCCK lines simultaneously. This condition is not permitted in normal operation, and it sets the MODF bit in the SPI status register automatically provided that C2[MODFEN] is set.

In the special case where the SPI is in master mode and C2[MODFEN] is cleared, the \overline{SS} pin is not used by the SPI. In this special case, the mode fault error function is inhibited and MODF remains cleared. If the SPI system is configured as a slave, the \overline{SS} pin is a dedicated input pin. A mode fault error does not occur in slave mode.

If a mode fault error occurs, the SPI is switched to slave mode, with the exception that the slave output buffer is disabled. So the SPSCCK, MISO and MOSI pins are forced to be high impedance inputs to avoid any possibility of conflict with another output driver. A transmission in progress is aborted and the SPI is forced into idle state.

If the mode fault error occurs in the bidirectional mode for an SPI system configured in master mode, the output enable of MOMI (MOSI in bidirectional mode) is cleared if it was set. No mode fault error occurs in the bidirectional mode for the SPI system configured in slave mode.

The mode fault flag is cleared automatically by a read of the SPI Status Register (with MODF set) followed by a write to SPI Control Register 1. If the mode fault flag is cleared, the SPI becomes a normal master or slave again.

35.5.11 Low-power mode options

This section describes the low-power mode options.

35.5.11.1 SPI in Run mode

In Run mode, with the SPI system enable (SPE) bit in the SPI Control Register 1 clear, the SPI system is in a low-power, disabled state. SPI registers can still be accessed, but clocks to the core of this module are disabled.

35.5.11.2 SPI in Wait mode

SPI operation in Wait mode depends upon the state of the SPISWAI bit in SPI Control Register 2.

- If C2[SPISWAI] is clear, the SPI operates normally when the CPU is in Wait mode.
- If C2[SPISWAI] is set, SPI clock generation ceases and the SPI module enters a power conservation state when the CPU is in wait mode.
 - If C2[SPISWAI] is set and the SPI is configured for master, any transmission and reception in progress stops at Wait mode entry. The transmission and reception resumes when the SPI exits Wait mode.
 - If C2[SPISWAI] is set and the SPI is configured as a slave, any transmission and reception in progress continues if the SPSCCK continues to be driven from the master. This keeps the slave synchronized to the master and the SPSCCK.

If the master transmits data while the slave is in wait mode, the slave continues to send data consistent with the operation mode at the start of wait mode (that is, if the slave is currently sending its SPIx_DH:SPIx_DL to the master, it continues to send the same byte. Otherwise, if the slave is currently sending the last data received byte from the master, it continues to send each previously received data from the master byte).

Note

Care must be taken when expecting data from a master while the slave is in a Wait mode or a Stop mode where the peripheral bus clock is stopped but internal logic states are retained. Even though the shift register continues to operate, the rest of the SPI is shut down (that is, an SPRF interrupt is not generated until an exit from Stop or Wait mode). Also, the data from the shift register is not copied into the SPIx_DH:SPIx_DL registers until after the slave SPI has exited Wait or Stop mode. An SPRF flag and SPIx_DH:SPIx_DL copy is only generated if Wait mode is entered or exited during a transmission. If the slave enters Wait mode in idle mode and exits Wait mode in idle mode, neither an SPRF nor a SPIx_DH:SPIx_DL copy occurs.

35.5.11.3 SPI in Stop mode

Operation in a Stop mode where the peripheral bus clock is stopped but internal logic states are retained depends on the SPI system. The Stop mode does not depend on C2[SPISWAI]. Upon entry to this type of stop mode, the SPI module clock is disabled (held high or low).

- If the SPI is in master mode and exchanging data when the CPU enters the Stop mode, the transmission is frozen until the CPU exits stop mode. After the exit from stop mode, data to and from the external SPI is exchanged correctly.
- In slave mode, the SPI remains synchronized with the master.

The SPI is completely disabled in a stop mode where the peripheral bus clock is stopped and internal logic states are not retained. After an exit from this type of stop mode, all registers are reset to their default values, and the SPI module must be reinitialized.

35.5.12 Reset

The reset values of registers and signals are described in the Memory Map and Register Descriptions content, which details the registers and their bitfields.

- If a data transmission occurs in slave mode after a reset without a write to SPIx_DH:SPIx_DL, the transmission consists of "garbage" or the data last received from the master before the reset.
- Reading from SPIx_DH:SPIx_DL after reset always returns zeros.

35.5.13 Interrupts

The SPI originates interrupt requests only when the SPI is enabled (the SPE bit in the SPIx_C1 register is set). The following is a description of how the SPI makes a request and how the MCU should acknowledge that request. The interrupt vector offset and interrupt priority are chip dependent.

Four flag bits, three interrupt mask bits, and one interrupt vector are associated with the SPI system. The SPI interrupt enable mask (SPIE) enables interrupts from the SPI receiver full flag (SPRF) and mode fault flag (MODF). The SPI transmit interrupt enable mask (SPTIE) enables interrupts from the SPI transmit buffer empty flag (SPTEF). The SPI match interrupt enable mask bit (SPIMIE) enables interrupts from the SPI match flag (SPMF). When one of the flag bits is set, and the associated interrupt mask bit is set, a hardware interrupt request is sent to the CPU. If the interrupt mask bits are cleared, software can poll the associated flag bits instead of using interrupts. The SPI interrupt service routine (ISR) should check the flag bits to determine which event caused the interrupt. The service routine should also clear the flag bit(s) before returning from the ISR (usually near the beginning of the ISR).

35.5.13.1 MODF

MODF occurs when the master detects an error on the \overline{SS} pin. The master SPI must be configured for the MODF feature (see the description of the C1[SSOE] bit). Once MODF is set, the current transfer is aborted and the master (MSTR) bit in the SPIx_C1 register resets to 0.

The MODF interrupt is reflected in the status register's MODF flag. Clearing the flag also clears the interrupt. This interrupt stays active while the MODF flag is set. MODF has an automatic clearing process that is described in the SPI Status Register.

35.5.13.2 SPRF

SPRF occurs when new data has been received and copied to the SPI receive data buffer. In 8-bit mode, SPRF is set only after all 8 bits have been shifted out of the shift register and into SPIx_DL. In 16-bit mode, SPRF is set only after all 16 bits have been shifted out of the shift register and into SPIx_DH:SPIx_DL.

After SPRF is set, it does not clear until it is serviced. SPRF has an automatic clearing process that is described in the SPI Status Register details. If the SPRF is not serviced before the end of the next transfer (that is, SPRF remains active throughout another transfer), the subsequent transfers are ignored and no new data is copied into the Data register.

35.5.13.3 SPTEF

SPTEF occurs when the SPI transmit buffer is ready to accept new data. In 8-bit mode, SPTEF is set only after all 8 bits have been moved from SPIx_DL into the shifter. In 16-bit mode, SPTEF is set only after all 16 bits have been moved from SPIx_DH:SPIx_DL into the shifter.

After SPTEF is set, it does not clear until it is serviced. SPTEF has an automatic clearing process that is described in the SPI Status Register details.

35.5.13.4 SPMF

SPMF occurs when the data in the receive data buffer is equal to the data in the SPI Match Register. In 8-bit mode, SPMF is set only after bits 7–0 in the receive data buffer are determined to be equivalent to the value in SPIx_ML. In 16-bit mode, SPMF is set after bits 15–0 in the receive data buffer are determined to be equivalent to the value in SPIx_MH:SPIx_ML.

35.5.13.5 TNEAREF

The TNEAREF bit applies when the FIFO feature is supported.

The TNEAREF flag is set when only one 16-bit word or two 8-bit bytes of data remain in the transmit FIFO provided C3[5] = 0 or when only two 16-bit words or four 8-bit bytes of data remain in the transmit FIFO provided C3[5] = 1. If FIFOMODE is not enabled, ignore this bit.

Clearing this interrupt depends on the state of C3[3] and the status of TNEAREF. Refer to the description of the SPI status (S) register.

35.5.13.6 RNFULLF

The RNFULLF bit applies when the FIFO feature is supported.

RNFULLF is set when more than three 16-bit words or six 8-bit bytes of data remain in the receive FIFO provided C3[4] = 0 or when more than two 16-bit words or four 8-bit bytes of data remain in the receive FIFO provided C3[4] = 1.

Clearing this interrupt depends on the state of C3[3] and the status of RNFULLF. Refer to the description of the SPI status (S) register.

35.5.13.7 Asynchronous interrupt in low-power modes

When the CPU is in Wait mode or Stop mode and the SPI module receives a transmission, the SPI module can generate an asynchronous interrupt to wake the CPU from the low power mode. The module generates the asynchronous interrupt only when all of the following conditions apply:

1. C1[SPIE] is set to 1.
2. The CPU is in Wait mode—in which case C2[SPISWAI] must be 1—or in Stop mode where the peripheral bus clock is stopped but internal logic states are retained.
3. The SPI module is in slave mode.
4. The received transmission ends.
5. When the FIFO feature is supported, FIFO mode is disabled: C3[FIFOMODE] is 0.

After the interrupt wakes the CPU and the peripheral bus clock is active again, the SPI module copies the received data from the shifter into the Data register and generates flags or DMA request signals. During the wakeup phase, a continuous transmission from a master would destroy the first received data.

35.6 Initialization/application information

This section discusses an example of how to initialize and use the SPI.

NOTE

When operating the SPI at the maximum baud rate it must be configured for 16 bit operation.

35.6.1 Initialization sequence

Before the SPI module can be used for communication, an initialization procedure must be carried out, as follows:

1. Update the Control Register 1 (SPIx_C1) to enable the SPI and to control interrupt enables. This register also sets the SPI as master or slave, determines clock phase and polarity, and configures the main SPI options.
2. Update the Control Register 2 (SPIx_C2) to enable additional SPI functions such as the SPI match interrupt feature, the master mode-fault function, and bidirectional mode output as well as to control 8- or 16-bit mode selection and other optional features.
3. Update the Baud Rate Register (SPIx_BR) to set the prescaler and bit rate divisor for an SPI master.
4. Update the Hardware Match Register (SPIx_MH:SPIx_ML) with the value to be compared to the receive data register for triggering an interrupt if hardware match interrupts are enabled.
5. In the master, read SPIx_S while S[SPTEF] = 1, and then write to the transmit data register (SPIx_DH:SPIx_DL) to begin transfer.

35.6.2 Pseudo-Code Example

In this example, the SPI module is set up for master mode with only hardware match interrupts enabled. The SPI runs in 16-bit mode at a maximum baud rate of SPI module clock divided by 2. Clock phase and polarity are set for an active-high SPI clock where the first edge on SPSCCK occurs at the start of the first cycle of a data transfer.

SPIx_C1=0x54(%01010100)				
Bit 7	SPIE	=	0	Disables receive and mode fault interrupts
Bit 6	SPE	=	1	Enables the SPI system
Bit 5	SPTIE	=	0	Disables SPI transmit interrupts
Bit 4	MSTR	=	1	Sets the SPI module as a master SPI device
Bit 3	CPOL	=	0	Configures SPI clock as active-high
Bit 2	CPHA	=	1	First edge on SPSCCK at start of first data transfer cycle
Bit 1	SSOE	=	0	Determines SS pin function when mode fault enabled
Bit 0	LSBFE	=	0	SPI serial data transfers start with most significant bit

SPIx_C2 = 0xC0(%11000000)				
Bit 7	SPMIE	=	1	SPI hardware match interrupt enabled
Bit 6	SPIMODE	=	1	Configures SPI for 16-bit mode
Bit 5	TXDMAE	=	0	DMA request disabled
Bit 4	MODFEN	=	0	Disables mode fault function

Table continues on the next page...

SPIx_C2 = 0xC0(%11000000)				
Bit 3	BIDIROE	=	0	SPI data I/O pin acts as input
Bit 2	RXDMAE	=	0	DMA request disabled
Bit 1	SPISWAI	=	0	SPI clocks operate in wait mode
Bit 0	SPC0	=	0	uses separate pins for data input and output

SPIx_BR = 0x00(%00000000)				
Bit 7		=	0	Reserved
Bit 6:4		=	000	Sets prescale divisor to 1
Bit 3:0		=	0000	Sets baud rate divisor to 2

SPIx_S = 0x00(%00000000)				
Bit 7	SPRF	=	0	Flag is set when receive data buffer is full
Bit 6	SPMF	=	0	Flag is set when SPIx_MH/ML = receive data buffer
Bit 5	SPTEF	=	0	Flag is set when transmit data buffer is empty
Bit 4	MODF	=	0	Mode fault flag for master mode
Bit 3:0	RNFULLF, TNEARF, TXFULLF, and RFIFOEf	=	0	Reserved (when FIFOMODE is not present or is 0) or FIFO flags (when FIFOMODE is 1)
Bit 3:0		=	0	FIFOMODE is not enabled

SPIx_MH = 0xXX	
In 16-bit mode, this register holds bits 8–15 of the hardware match buffer. In 8-bit mode, writes to this register will be ignored.	

SPIx_ML = 0xXX	
Holds bits 0–7 of the hardware match buffer.	

SPIx_DH = 0xxx	
In 16-bit mode, this register holds bits 8–15 of the data to be transmitted by the transmit buffer and received by the receive buffer.	

SPIx_DL = 0xxx	
Holds bits 0–7 of the data to be transmitted by the transmit buffer and received by the receive buffer.	

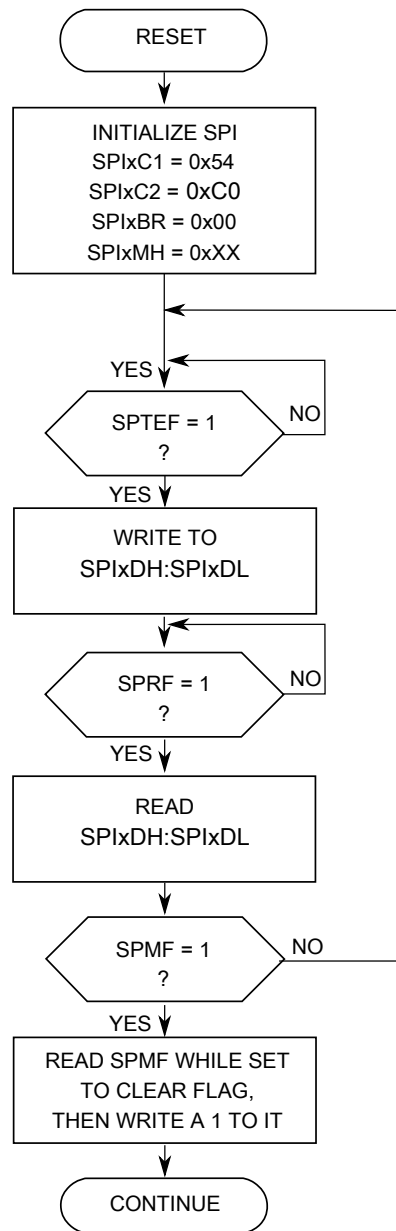


Figure 35-10. Initialization Flowchart Example for SPI Master Device in 16-bit Mode for FIFOMODE = 0

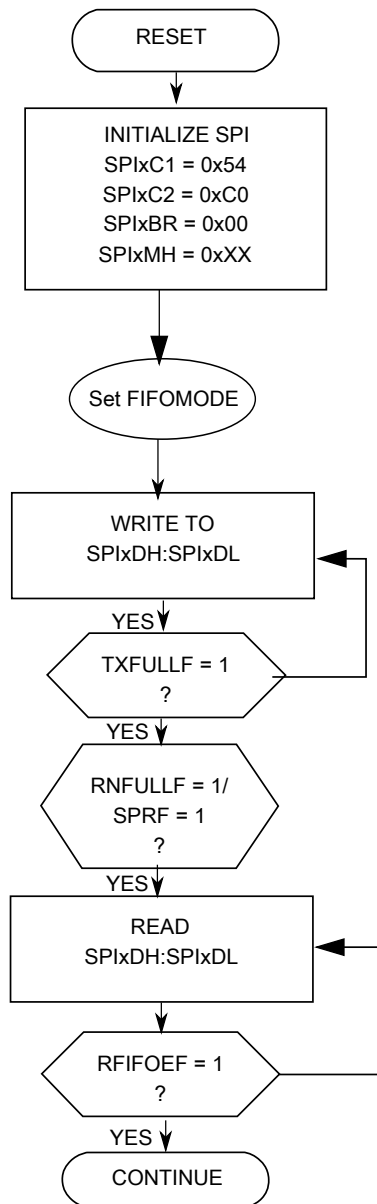


Figure 35-11. Initialization Flowchart Example for SPI Master Device in 16-bit Mode for FIFOMODE = 1

Chapter 36

Inter-Integrated Circuit (I2C)

36.1 Chip-specific I2C information

36.1.1 I2C instantiation information

This device has two IIC modules. I2Cx are clocked by the system clock so they can support standard IIC communication rates of 100 kbit/s in VLPR mode.

When the package pins associated with IIC have their mux select configured for IIC operation, the pins (SCL and SDA) are driven either by true open drain or in a pseudo open drain configuration. However, only pseudo open drain configuration is for KLx3 family.

The digital glitch filter implemented in the IICx module, controlled by the I2Cx_FLT[FLT] registers, is clocked from the core/system clock and thus has filter granularity in core/system clock cycle counts.

NOTE

For I2C instance 0, I2C0_C2[HDRS] is available. For I2C instance 1, I2C1_C2[HDRS] is not available.

36.2 Introduction

The inter-integrated circuit (I²C, I2C, or IIC) module provides a method of communication between a number of devices.

The interface is designed to operate up to at least 400 kbit/s with maximum bus loading and timing. The I2C device is capable of operating at higher baud rates, up to a maximum of clock/20, with reduced bus loading. The maximum communication length and the

number of devices that can be connected are limited by a maximum bus capacitance of 400 pF. The I2C module also complies with the *System Management Bus (SMBus) Specification, version 2*.

36.2.1 Features

The I2C module has the following features:

- Compatible with *The I²C-Bus Specification*
- Multimaster operation
- Software programmable for one of 64 different serial clock frequencies
- Software-selectable acknowledge bit
- Interrupt-driven byte-by-byte data transfer
- Arbitration-lost interrupt with automatic mode switching from master to slave
- Calling address identification interrupt
- START and STOP signal generation and detection
- Repeated START signal generation and detection
- Acknowledge bit generation and detection
- Bus busy detection
- General call recognition
- 10-bit address extension
- Support for *System Management Bus (SMBus) Specification, version 2*
- Programmable input glitch filter
- Low power mode wakeup on slave address match
- Range slave address support
- DMA support
- Double buffering support to achieve higher baud rate

36.2.2 Modes of operation

The I2C module's operation in various low power modes is as follows:

- Run mode: This is the basic mode of operation. To conserve power in this mode, disable the module.
- Wait mode: The module continues to operate when the core is in Wait mode and can provide a wakeup interrupt.
- Stop mode: The module is inactive in Stop mode for reduced power consumption, except that address matching is enabled in Stop mode. The STOP instruction does not affect the I2C module's register states.

36.2.3 Block diagram

The following figure is a functional block diagram of the I2C module.

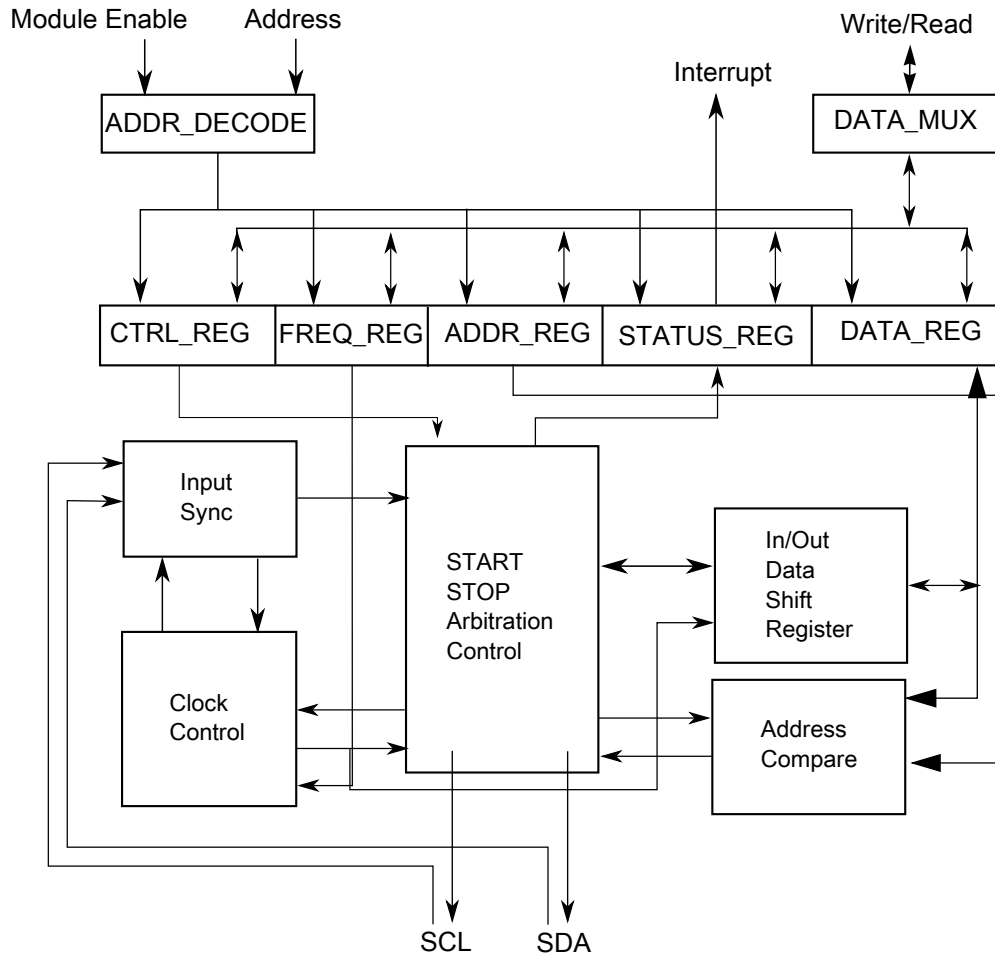


Figure 36-1. I2C Functional block diagram

36.3 I²C signal descriptions

The signal properties of I²C are shown in the table found here.

Table 36-1. I²C signal descriptions

Signal	Description	I/O
SCL	Bidirectional serial clock line of the I ² C system.	I/O
SDA	Bidirectional serial data line of the I ² C system.	I/O

36.4 Memory map/register definition

This section describes in detail all I2C registers accessible to the end user.

I2C memory map

Absolute address (hex)	Register name	Width (in bits)	Access	Reset value	Section/page
4006_6000	I2C Address Register 1 (I2C0_A1)	8	R/W	00h	36.4.1/629
4006_6001	I2C Frequency Divider register (I2C0_F)	8	R/W	00h	36.4.2/629
4006_6002	I2C Control Register 1 (I2C0_C1)	8	R/W	00h	36.4.3/630
4006_6003	I2C Status register (I2C0_S)	8	R/W	80h	36.4.4/632
4006_6004	I2C Data I/O register (I2C0_D)	8	R/W	00h	36.4.5/634
4006_6005	I2C Control Register 2 (I2C0_C2)	8	R/W	00h	36.4.6/634
4006_6006	I2C Programmable Input Glitch Filter Register (I2C0_FLT)	8	R/W	00h	36.4.7/635
4006_6007	I2C Range Address register (I2C0_RA)	8	R/W	00h	36.4.8/637
4006_6008	I2C SMBus Control and Status register (I2C0_SMB)	8	R/W	00h	36.4.9/637
4006_6009	I2C Address Register 2 (I2C0_A2)	8	R/W	C2h	36.4.10/639
4006_600A	I2C SCL Low Timeout Register High (I2C0_SLTH)	8	R/W	00h	36.4.11/639
4006_600B	I2C SCL Low Timeout Register Low (I2C0_SLTL)	8	R/W	00h	36.4.12/640
4006_600C	I2C Status register 2 (I2C0_S2)	8	R/W	01h	36.4.13/640
4006_7000	I2C Address Register 1 (I2C1_A1)	8	R/W	00h	36.4.1/629
4006_7001	I2C Frequency Divider register (I2C1_F)	8	R/W	00h	36.4.2/629
4006_7002	I2C Control Register 1 (I2C1_C1)	8	R/W	00h	36.4.3/630
4006_7003	I2C Status register (I2C1_S)	8	R/W	80h	36.4.4/632
4006_7004	I2C Data I/O register (I2C1_D)	8	R/W	00h	36.4.5/634
4006_7005	I2C Control Register 2 (I2C1_C2)	8	R/W	00h	36.4.6/634
4006_7006	I2C Programmable Input Glitch Filter Register (I2C1_FLT)	8	R/W	00h	36.4.7/635
4006_7007	I2C Range Address register (I2C1_RA)	8	R/W	00h	36.4.8/637
4006_7008	I2C SMBus Control and Status register (I2C1_SMB)	8	R/W	00h	36.4.9/637
4006_7009	I2C Address Register 2 (I2C1_A2)	8	R/W	C2h	36.4.10/639
4006_700A	I2C SCL Low Timeout Register High (I2C1_SLTH)	8	R/W	00h	36.4.11/639
4006_700B	I2C SCL Low Timeout Register Low (I2C1_SLTL)	8	R/W	00h	36.4.12/640
4006_700C	I2C Status register 2 (I2C1_S2)	8	R/W	01h	36.4.13/640

36.4.1 I2C Address Register 1 (I2Cx_A1)

This register contains the slave address to be used by the I2C module.

Address: Base address + 0h offset

Bit	7	6	5	4	3	2	1	0
Read	AD[7:1]							0
Write								
Reset	0	0	0	0	0	0	0	0

I2Cx_A1 field descriptions

Field	Description
7–1 AD[7:1]	Address Contains the primary slave address used by the I2C module when it is addressed as a slave. This field is used in the 7-bit address scheme and the lower seven bits in the 10-bit address scheme.
0 Reserved	This field is reserved. This read-only field is reserved and always has the value 0.

36.4.2 I2C Frequency Divider register (I2Cx_F)

Address: Base address + 1h offset

Bit	7	6	5	4	3	2	1	0
Read	MULT		ICR					
Write								
Reset	0	0	0	0	0	0	0	0

I2Cx_F field descriptions

Field	Description
7–6 MULT	Multiplier Factor Defines the multiplier factor (mul). This factor is used along with the SCL divider to generate the I2C baud rate. 00 mul = 1 01 mul = 2 10 mul = 4 11 Reserved
ICR	ClockRate Prescales the I2C module clock for bit rate selection. This field and the MULT field determine the I2C baud rate, the SDA hold time, the SCL start hold time, and the SCL stop hold time. For a list of values corresponding to each ICR setting, see I2C divider and hold values . The SCL divider multiplied by multiplier factor (mul) determines the I2C baud rate. $\text{I2C baud rate} = \text{I2C module clock speed (Hz)} / (\text{mul} \times \text{SCL divider})$

Table continues on the next page...

I2Cx_F field descriptions (continued)

Field	Description																																	
	<p>The SDA hold time is the delay from the falling edge of SCL (I2C clock) to the changing of SDA (I2C data).</p> <p>SDA hold time = I2C module clock period (s) × mul × SDA hold value</p> <p>The SCL start hold time is the delay from the falling edge of SDA (I2C data) while SCL is high (start condition) to the falling edge of SCL (I2C clock).</p> <p>SCL start hold time = I2C module clock period (s) × mul × SCL start hold value</p> <p>The SCL stop hold time is the delay from the rising edge of SCL (I2C clock) to the rising edge of SDA (I2C data) while SCL is high (stop condition).</p> <p>SCL stop hold time = I2C module clock period (s) × mul × SCL stop hold value</p> <p>For example, if the I2C module clock speed is 8 MHz, the following table shows the possible hold time values with different ICR and MULT selections to achieve an I²C baud rate of 100 kbit/s.</p> <table border="1" style="margin-left: auto; margin-right: auto;"> <thead> <tr> <th rowspan="2">MULT</th> <th rowspan="2">ICR</th> <th colspan="3">Hold times (µs)</th> </tr> <tr> <th>SDA</th> <th>SCL Start</th> <th>SCL Stop</th> </tr> </thead> <tbody> <tr> <td>2h</td> <td>00h</td> <td>3.500</td> <td>3.000</td> <td>5.500</td> </tr> <tr> <td>1h</td> <td>07h</td> <td>2.500</td> <td>4.000</td> <td>5.250</td> </tr> <tr> <td>1h</td> <td>0Bh</td> <td>2.250</td> <td>4.000</td> <td>5.250</td> </tr> <tr> <td>0h</td> <td>14h</td> <td>2.125</td> <td>4.250</td> <td>5.125</td> </tr> <tr> <td>0h</td> <td>18h</td> <td>1.125</td> <td>4.750</td> <td>5.125</td> </tr> </tbody> </table>	MULT	ICR	Hold times (µs)			SDA	SCL Start	SCL Stop	2h	00h	3.500	3.000	5.500	1h	07h	2.500	4.000	5.250	1h	0Bh	2.250	4.000	5.250	0h	14h	2.125	4.250	5.125	0h	18h	1.125	4.750	5.125
MULT	ICR			Hold times (µs)																														
		SDA	SCL Start	SCL Stop																														
2h	00h	3.500	3.000	5.500																														
1h	07h	2.500	4.000	5.250																														
1h	0Bh	2.250	4.000	5.250																														
0h	14h	2.125	4.250	5.125																														
0h	18h	1.125	4.750	5.125																														

36.4.3 I2C Control Register 1 (I2Cx_C1)

Address: Base address + 2h offset

Bit	7	6	5	4	3	2	1	0
Read	IICEN	IICIE	MST	TX	TXAK	0	WUEN	DMAEN
Write						RSTA		
Reset	0	0	0	0	0	0	0	0

I2Cx_C1 field descriptions

Field	Description
7 IICEN	<p>I2C Enable</p> <p>Enables I2C module operation.</p> <p>0 Disabled 1 Enabled</p>
6 IICIE	<p>I2C Interrupt Enable</p> <p>Enables I2C interrupt requests.</p>

Table continues on the next page...

I2Cx_C1 field descriptions (continued)

Field	Description
	0 Disabled 1 Enabled
5 MST	Master Mode Select When MST is changed from 0 to 1, a START signal is generated on the bus and master mode is selected. When this bit changes from 1 to 0, a STOP signal is generated and the mode of operation changes from master to slave. 0 Slave mode 1 Master mode
4 TX	Transmit Mode Select Selects the direction of master and slave transfers. In master mode this bit must be set according to the type of transfer required. Therefore, for address cycles, this bit is always set. When addressed as a slave this bit must be set by software according to the SRW bit in the status register. 0 Receive 1 Transmit
3 TXAK	Transmit Acknowledge Enable Specifies the value driven onto the SDA during data acknowledge cycles for both master and slave receivers. The value of SMB[FAACK] affects NACK/ACK generation. NOTE: SCL is held low until TXAK is written. 0 An acknowledge signal is sent to the bus on the following receiving byte (if FAACK is cleared) or the current receiving byte (if FAACK is set). 1 No acknowledge signal is sent to the bus on the following receiving data byte (if FAACK is cleared) or the current receiving data byte (if FAACK is set).
2 RSTA	Repeat START Writing 1 to this bit generates a repeated START condition provided it is the current master. This bit will always be read as 0. Attempting a repeat at the wrong time results in loss of arbitration.
1 WUEN	Wakeup Enable The I2C module can wake the MCU from low power mode with no peripheral bus running when slave address matching occurs. 0 Normal operation. No interrupt generated when address matching in low power mode. 1 Enables the wakeup function in low power mode.
0 DMAEN	DMA Enable Enables or disables the DMA function. 0 All DMA signalling disabled. 1 DMA transfer is enabled. While SMB[FAACK] = 0, the following conditions trigger the DMA request: <ul style="list-style-type: none"> a data byte is received, and either address or data is transmitted. (ACK/NACK is automatic) the first byte received matches the A1 register or is a general call address.

Table continues on the next page...

I2Cx_C1 field descriptions (continued)

Field	Description
	<p>If any address matching occurs, S[IAAS] and S[TCF] are set. If the direction of transfer is known from master to slave, then it is not required to check S[SRW]. With this assumption, DMA can also be used in this case. In other cases, if the master reads data from the slave, then it is required to rewrite the C1 register operation. With this assumption, DMA cannot be used.</p> <p>When FACK = 1, an address or a data byte is transmitted.</p>

36.4.4 I2C Status register (I2Cx_S)

Address: Base address + 3h offset

Bit	7	6	5	4	3	2	1	0
Read	TCF	IAAS	BUSY	ARBL	RAM	SRW	IICIF	RXAK
Write				w1c			w1c	
Reset	1	0	0	0	0	0	0	0

I2Cx_S field descriptions

Field	Description
7 TCF	<p>Transfer Complete Flag</p> <p>Acknowledges a byte transfer; TCF is set on the completion of a byte transfer. This bit is valid only during or immediately following a transfer to or from the I2C module. TCF is cleared by reading the I2C data register in receive mode or by writing to the I2C data register in transmit mode.</p> <p>NOTE: In the buffer mode, TCF is cleared automatically by internal reading or writing the data register I2C_D, with no need waiting for manually reading/writing the I2C data register in Rx/Tx mode.</p> <p>0 Transfer in progress 1 Transfer complete</p>
6 IAAS	<p>Addressed As A Slave</p> <p>This bit is set by one of the following conditions:</p> <ul style="list-style-type: none"> The calling address matches the programmed primary slave address in the A1 register, or matches the range address in the RA register (which must be set to a nonzero value and under the condition I2C_C2[RMEN] = 1). C2[GCAEN] is set and a general call is received. SMB[SIICAEN] is set and the calling address matches the second programmed slave address. ALERTEN is set and an SMBus alert response address is received RMEN is set and an address is received that is within the range between the values of the A1 and RA registers. <p>IAAS sets before the ACK bit. The CPU must check the SRW bit and set TX/RX accordingly. Writing the C1 register with any value clears this bit.</p> <p>0 Not addressed 1 Addressed as a slave</p>
5 BUSY	Bus Busy

Table continues on the next page...

I2Cx_S field descriptions (continued)

Field	Description
	<p>Indicates the status of the bus regardless of slave or master mode. This bit is set when a START signal is detected and cleared when a STOP signal is detected.</p> <p>0 Bus is idle 1 Bus is busy</p>
4 ARBL	<p>Arbitration Lost</p> <p>This bit is set by hardware when the arbitration procedure is lost. The ARBL bit must be cleared by software, by writing 1 to it.</p> <p>0 Standard bus operation. 1 Loss of arbitration.</p>
3 RAM	<p>Range Address Match</p> <p>This bit is set to 1 by any of the following conditions, if I2C_C2[RMEN] = 1:</p> <ul style="list-style-type: none"> Any nonzero calling address is received that matches the address in the RA register. The calling address is within the range of values of the A1 and RA registers. <p>NOTE: For the RAM bit to be set to 1 correctly, C1[IICIE] must be set to 1.</p> <p>Writing the C1 register with any value clears this bit to 0.</p> <p>0 Not addressed 1 Addressed as a slave</p>
2 SRW	<p>Slave Read/Write</p> <p>When addressed as a slave, SRW indicates the value of the R/W command bit of the calling address sent to the master.</p> <p>0 Slave receive, master writing to slave 1 Slave transmit, master reading from slave</p>
1 IICIF	<p>Interrupt Flag</p> <p>This bit sets when an interrupt is pending. This bit must be cleared by software by writing 1 to it, such as in the interrupt routine. One of the following events can set this bit:</p> <ul style="list-style-type: none"> One byte transfer, including ACK/NACK bit, completes if FACK is 0. An ACK or NACK is sent on the bus by writing 0 or 1 to TXAK after this bit is set in receive mode. One byte transfer, excluding ACK/NACK bit, completes if FACK is 1. Match of slave address to calling address including primary slave address, range slave address, alert response address, second slave address, or general call address. Arbitration lost In SMBus mode, any timeouts except SCL and SDA high timeouts I2C bus stop or start detection if the SSIE bit in the Input Glitch Filter register is 1 <p>NOTE: To clear the I2C bus stop or start detection interrupt: In the interrupt service routine, first clear the STOPF or STARTF bit in the Input Glitch Filter register by writing 1 to it, and then clear the IICIF bit. If this sequence is reversed, the IICIF bit is asserted again.</p> <p>0 No interrupt pending 1 Interrupt pending</p>
0 RXAK	<p>Receive Acknowledge</p>

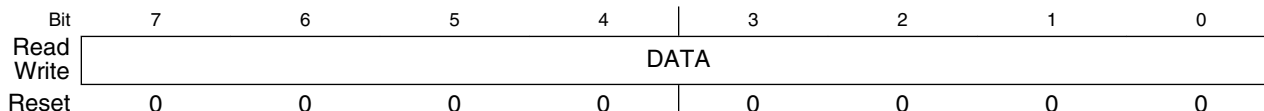
Table continues on the next page...

I2Cx_S field descriptions (continued)

Field	Description
0	Acknowledge signal was received after the completion of one byte of data transmission on the bus
1	No acknowledge signal detected

36.4.5 I2C Data I/O register (I2Cx_D)

Address: Base address + 4h offset

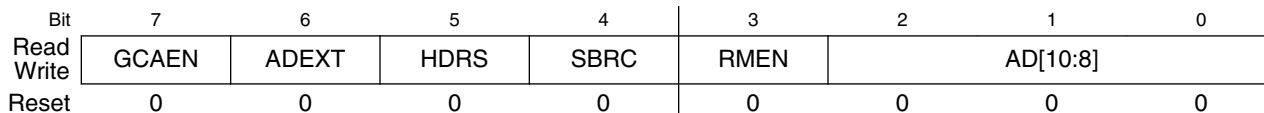


I2Cx_D field descriptions

Field	Description
DATA	<p>Data</p> <p>In master transmit mode, when data is written to this register, a data transfer is initiated. The most significant bit is sent first. In master receive mode, reading this register initiates receiving of the next byte of data.</p> <p>NOTE: When making the transition out of master receive mode, switch the I2C mode before reading the Data register to prevent an inadvertent initiation of a master receive data transfer.</p> <p>In slave mode, the same functions are available after an address match occurs.</p> <p>The C1[TX] bit must correctly reflect the desired direction of transfer in master and slave modes for the transmission to begin. For example, if the I2C module is configured for master transmit but a master receive is desired, reading the Data register does not initiate the receive.</p> <p>Reading the Data register returns the last byte received while the I2C module is configured in master receive or slave receive mode. The Data register does not reflect every byte that is transmitted on the I2C bus, and neither can software verify that a byte has been written to the Data register correctly by reading it back.</p> <p>In master transmit mode, the first byte of data written to the Data register following assertion of MST (start bit) or assertion of RSTA (repeated start bit) is used for the address transfer and must consist of the calling address (in bits 7-1) concatenated with the required R/W bit (in position bit 0).</p>

36.4.6 I2C Control Register 2 (I2Cx_C2)

Address: Base address + 5h offset



I2Cx_C2 field descriptions

Field	Description
7 GCAEN	General Call Address Enable Enables general call address. 0 Disabled 1 Enabled
6 ADEXT	Address Extension Controls the number of bits used for the slave address. 0 7-bit address scheme 1 10-bit address scheme
5 HDRS	High Drive Select Controls the drive capability of the I2C pads. 0 Normal drive mode 1 High drive mode
4 SBRC	Slave Baud Rate Control Enables independent slave mode baud rate at maximum frequency, which forces clock stretching on SCL in very fast I2C modes. To a slave, an example of a "very fast" mode is when the master transfers at 40 kbit/s but the slave can capture the master's data at only 10 kbit/s. 0 The slave baud rate follows the master baud rate and clock stretching may occur 1 Slave baud rate is independent of the master baud rate
3 RMEN	Range Address Matching Enable This bit controls the slave address matching for addresses between the values of the A1 and RA registers. When this bit is set, a slave address matching occurs for any address greater than the value of the A1 register and less than or equal to the value of the RA register. 0 Range mode disabled. No address matching occurs for an address within the range of values of the A1 and RA registers. 1 Range mode enabled. Address matching occurs when a slave receives an address within the range of values of the A1 and RA registers.
AD[10:8]	Slave Address Contains the upper three bits of the slave address in the 10-bit address scheme. This field is valid only while the ADEXT bit is set.

36.4.7 I2C Programmable Input Glitch Filter Register (I2Cx_FLT)

Address: Base address + 6h offset

Bit	7	6	5	4	3	2	1	0
Read	SHEN	STOPF	SSIE	STARTF	FLT			
Write		w1c		w1c				
Reset	0	0	0	0	0	0	0	0

I2Cx_FLT field descriptions

Field	Description
7 SHEN	<p>Stop Hold Enable</p> <p>Set this bit to hold off entry to stop mode when any data transmission or reception is occurring. The following scenario explains the holdoff functionality:</p> <ol style="list-style-type: none"> 1. The I2C module is configured for a basic transfer, and the SHEN bit is set to 1. 2. A transfer begins. 3. The MCU signals the I2C module to enter stop mode. 4. The byte currently being transferred, including both address and data, completes its transfer. 5. The I2C slave or master acknowledges that the in-transfer byte completed its transfer and acknowledges the request to enter stop mode. 6. After receiving the I2C module's acknowledgment of the request to enter stop mode, the MCU determines whether to shut off the I2C module's clock. <p>If the SHEN bit is set to 1 and the I2C module is in an idle or disabled state when the MCU signals to enter stop mode, the module immediately acknowledges the request to enter stop mode.</p> <p>If SHEN is cleared to 0 and the overall data transmission or reception that was suspended by stop mode entry was incomplete: To resume the overall transmission or reception after the MCU exits stop mode, software must reinitialize the transfer by resending the address of the slave.</p> <p>If the I2C Control Register 1's IICIE bit was set to 1 before the MCU entered stop mode, system software will receive the interrupt triggered by the I2C Status Register's TCF bit after the MCU wakes from the stop mode.</p> <p>0 Stop holdoff is disabled. The MCU's entry to stop mode is not gated. 1 Stop holdoff is enabled.</p>
6 STOPF	<p>I2C Bus Stop Detect Flag</p> <p>Hardware sets this bit when the I2C bus's stop status is detected. The STOPF bit must be cleared by writing 1 to it.</p> <p>NOTE: The stop flag is only for the matched slave devices, therefore the master will not respond for it.</p> <p>0 No stop happens on I2C bus 1 Stop detected on I2C bus</p>
5 SSIE	<p>I2C Bus Stop or Start Interrupt Enable</p> <p>This bit enables the interrupt for I2C bus stop or start detection.</p> <p>NOTE: To clear the I2C bus stop or start detection interrupt: In the interrupt service routine, first clear the STOPF or STARTF bit by writing 1 to it, and then clear the IICIF bit in the status register. If this sequence is reversed, the IICIF bit is asserted again.</p> <p>0 Stop or start detection interrupt is disabled 1 Stop or start detection interrupt is enabled</p>
4 STARTF	<p>I2C Bus Start Detect Flag</p> <p>Hardware sets this bit when the I2C bus's start status is detected. The STARTF bit must be cleared by writing 1 to it.</p> <p>0 No start happens on I2C bus 1 Start detected on I2C bus</p>
FLT	I2C Programmable Filter Factor

Table continues on the next page...

I2Cx_FLT field descriptions (continued)

Field	Description
	Controls the width of the glitch, in terms of I2C module clock cycles, that the filter must absorb. For any glitch whose size is less than or equal to this width setting, the filter does not allow the glitch to pass.
0h	No filter/bypass
1-Fh	Filter glitches up to width of n I2C module clock cycles, where $n=1-15d$

36.4.8 I2C Range Address register (I2Cx_RA)

Address: Base address + 7h offset

Bit	7	6	5	4	3	2	1	0
Read	RAD							0
Write								0
Reset	0	0	0	0	0	0	0	0

I2Cx_RA field descriptions

Field	Description
7–1 RAD	Range Slave Address This field contains the slave address to be used by the I2C module. The field is used in the 7-bit address scheme. If I2C_C2[RMEN] is set to 1, any nonzero value write enables this register. This register value can be considered as a maximum boundary in the range matching mode.
0 Reserved	This field is reserved. This read-only field is reserved and always has the value 0.

36.4.9 I2C SMBus Control and Status register (I2Cx_SMB)**NOTE**

When the SCL and SDA signals are held high for a length of time greater than the high timeout period, the SHTF1 flag sets. Before reaching this threshold, while the system is detecting how long these signals are being held high, a master assumes that the bus is free. However, the SHTF1 bit is set to 1 in the bus transmission process with the idle bus state.

NOTE

When the TCKSEL bit is set, there is no need to monitor the SHTF1 bit because the bus speed is too high to match the protocol of SMBus.

Memory map/register definition

Address: Base address + 8h offset

Bit	7	6	5	4	3	2	1	0
Read	FA CK	ALERTEN	SIICAEN	TCKSEL	SLTF	SHTF1	SHTF2	SHTF2IE
Write					w1c		w1c	
Reset	0	0	0	0	0	0	0	0

I2Cx_SMB field descriptions

Field	Description
7 FA CK	<p>Fast NACK/ACK Enable</p> <p>For SMBus packet error checking, the CPU must be able to issue an ACK or NACK according to the result of receiving data byte.</p> <p>0 An ACK or NACK is sent on the following receiving data byte 1 Writing 0 to TXAK after receiving a data byte generates an ACK. Writing 1 to TXAK after receiving a data byte generates a NACK.</p>
6 ALERTEN	<p>SMBus Alert Response Address Enable</p> <p>Enables or disables SMBus alert response address matching.</p> <p>NOTE: After the host responds to a device that used the alert response address, you must use software to put the device's address on the bus. The alert protocol is described in the SMBus specification.</p> <p>0 SMBus alert response address matching is disabled 1 SMBus alert response address matching is enabled</p>
5 SIICAEN	<p>Second I2C Address Enable</p> <p>Enables or disables SMBus device default address.</p> <p>0 I2C address register 2 matching is disabled 1 I2C address register 2 matching is enabled</p>
4 TCKSEL	<p>Timeout Counter Clock Select</p> <p>Selects the clock source of the timeout counter.</p> <p>0 Timeout counter counts at the frequency of the I2C module clock / 64 1 Timeout counter counts at the frequency of the I2C module clock</p>
3 SLTF	<p>SCL Low Timeout Flag</p> <p>This bit is set when the SLT register (consisting of the SLTH and SLTL registers) is loaded with a non-zero value (LoValue) and an SCL low timeout occurs. Software clears this bit by writing a logic 1 to it.</p> <p>NOTE: The low timeout function is disabled when the SLT register's value is 0.</p> <p>0 No low timeout occurs 1 Low timeout occurs</p>
2 SHTF1	<p>SCL High Timeout Flag 1</p> <p>This read-only bit sets when SCL and SDA are held high more than clock × LoValue / 512, which indicates the bus is free. This bit is cleared automatically.</p> <p>0 No SCL high and SDA high timeout occurs 1 SCL high and SDA high timeout occurs</p>

Table continues on the next page...

I2Cx_SMB field descriptions (continued)

Field	Description
1 SHTF2	SCL High Timeout Flag 2 This bit sets when SCL is held high and SDA is held low more than $\text{clock} \times \text{LoValue} / 512$. Software clears this bit by writing 1 to it. 0 No SCL high and SDA low timeout occurs 1 SCL high and SDA low timeout occurs
0 SHTF2IE	SHTF2 Interrupt Enable Enables SCL high and SDA low timeout interrupt. 0 SHTF2 interrupt is disabled 1 SHTF2 interrupt is enabled

36.4.10 I2C Address Register 2 (I2Cx_A2)

Address: Base address + 9h offset

Bit	7	6	5	4	3	2	1	0
Read	SAD							0
Write								
Reset	1	1	0	0	0	0	1	0

I2Cx_A2 field descriptions

Field	Description
7–1 SAD	SMBus Address Contains the slave address used by the SMBus. This field is used on the device default address or other related addresses.
0 Reserved	This field is reserved. This read-only field is reserved and always has the value 0.

36.4.11 I2C SCL Low Timeout Register High (I2Cx_SLTH)

Address: Base address + Ah offset

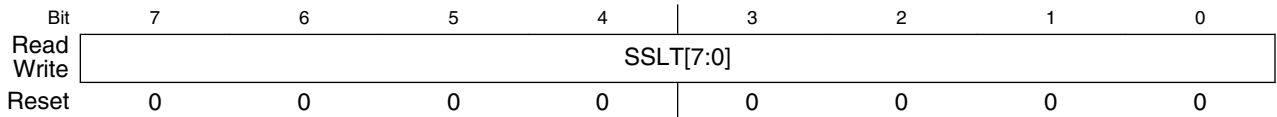
Bit	7	6	5	4	3	2	1	0
Read	SSLT[15:8]							
Write								
Reset	0	0	0	0	0	0	0	0

I2Cx_SLTH field descriptions

Field	Description
SSLT[15:8]	SSLT[15:8] Most significant byte of SCL low timeout value that determines the timeout period of SCL low.

36.4.12 I2C SCL Low Timeout Register Low (I2Cx_SLTL)

Address: Base address + Bh offset

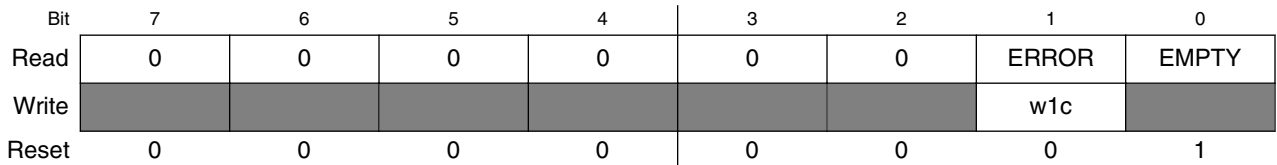


I2Cx_SLTL field descriptions

Field	Description
SSLT[7:0]	SSLT[7:0] Least significant byte of SCL low timeout value that determines the timeout period of SCL low.

36.4.13 I2C Status register 2 (I2Cx_S2)

Address: Base address + Ch offset



I2Cx_S2 field descriptions

Field	Description
7 Reserved	This field is reserved. This read-only field is reserved and always has the value 0.
6 Reserved	This field is reserved. This read-only field is reserved and always has the value 0.
5 Reserved	This field is reserved. This read-only field is reserved and always has the value 0.
4 Reserved	This field is reserved. This read-only field is reserved and always has the value 0.
3 Reserved	This field is reserved. This read-only field is reserved and always has the value 0.
2 Reserved	This field is reserved. This read-only field is reserved and always has the value 0.
1 ERROR	Error flag Indicates if there are read or write errors with the Tx and Rx buffers. 0 The buffer is not full and all write/read operations have no errors. 1 There are 3 or more write/read errors during the data transfer phase (when the Empty flag is not set and the buffer is busy).

Table continues on the next page...

I2Cx_S2 field descriptions (continued)

Field	Description
0 EMPTY	<p>Empty flag</p> <p>Indicates if the Tx or Rx buffer is empty.</p> <p>0 Tx or Rx buffer is not empty and cannot be written to, that is new data cannot be loaded into the buffer.</p> <p>1 Tx or Rx buffer is empty and can be written to, that is new data can be loaded into the buffer.</p>

36.5 Functional description

This section provides a comprehensive functional description of the I2C module.

36.5.1 I2C protocol

The I2C bus system uses a serial data line (SDA) and a serial clock line (SCL) for data transfers.

All devices connected to it must have open drain or open collector outputs. A logic AND function is exercised on both lines with external pull-up resistors. The value of these resistors depends on the system.

Normally, a standard instance of communication is composed of four parts:

1. START signal
2. Slave address transmission
3. Data transfer
4. STOP signal

The STOP signal should not be confused with the CPU STOP instruction. The following figure illustrates I2C bus system communication.

Functional description

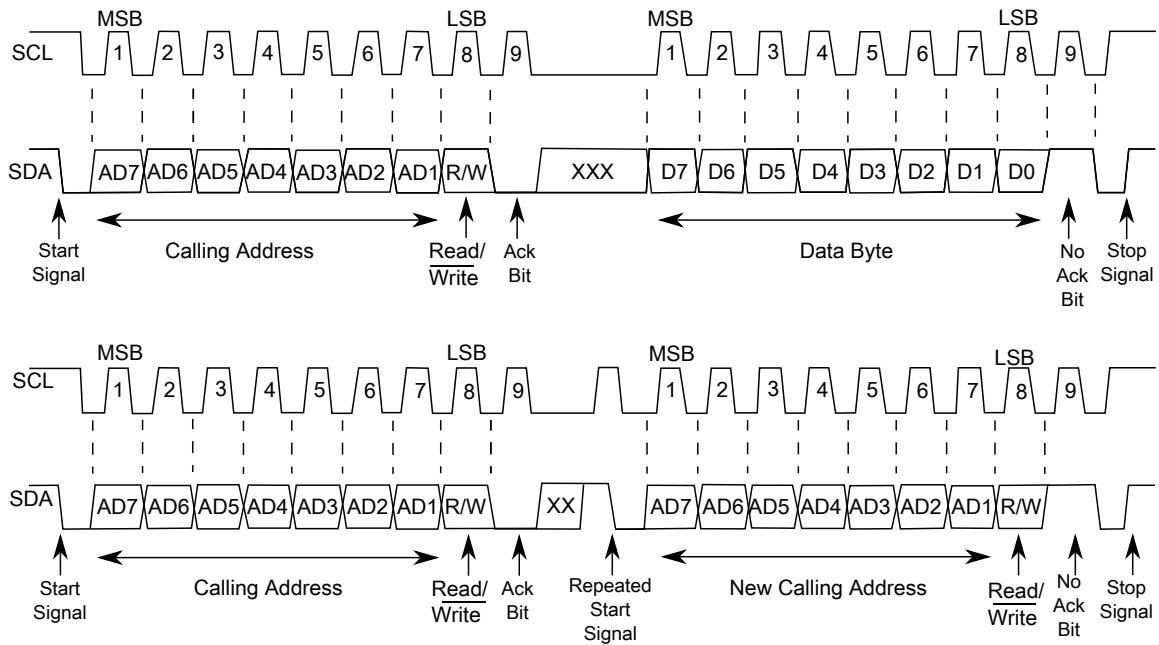


Figure 36-2. I2C bus transmission signals

36.5.1.1 START signal

The bus is free when no master device is engaging the bus (both SCL and SDA are high). When the bus is free, a master may initiate communication by sending a START signal. A START signal is defined as a high-to-low transition of SDA while SCL is high. This signal denotes the beginning of a new data transfer—each data transfer might contain several bytes of data—and brings all slaves out of their idle states.

36.5.1.2 Slave address transmission

Immediately after the START signal, the first byte of a data transfer is the slave address transmitted by the master. This address is a 7-bit calling address followed by an R/\overline{W} bit. The R/\overline{W} bit tells the slave the desired direction of data transfer.

- 1 = Read transfer: The slave transmits data to the master
- 0 = Write transfer: The master transmits data to the slave

Only the slave with a calling address that matches the one transmitted by the master responds by sending an acknowledge bit. The slave sends the acknowledge bit by pulling SDA low at the ninth clock.

No two slaves in the system can have the same address. If the I2C module is the master, it must not transmit an address that is equal to its own slave address. The I2C module cannot be master and slave at the same time. However, if arbitration is lost during an address cycle, the I2C module reverts to slave mode and operates correctly even if it is being addressed by another master.

36.5.1.3 Data transfers

When successful slave addressing is achieved, data transfer can proceed on a byte-by-byte basis in the direction specified by the $\overline{R/W}$ bit sent by the calling master.

All transfers that follow an address cycle are referred to as data transfers, even if they carry subaddress information for the slave device.

Each data byte is 8 bits long. Data may be changed only while SCL is low. Data must be held stable while SCL is high. There is one clock pulse on SCL for each data bit, and the MSB is transferred first. Each data byte is followed by a ninth (acknowledge) bit, which is signaled from the receiving device by pulling SDA low at the ninth clock. In summary, one complete data transfer needs nine clock pulses.

If the slave receiver does not acknowledge the master in the ninth bit, the slave must leave SDA high. The master interprets the failed acknowledgement as an unsuccessful data transfer.

If the master receiver does not acknowledge the slave transmitter after a data byte transmission, the slave interprets it as an end to data transfer and releases the SDA line.

In the case of a failed acknowledgement by either the slave or master, the data transfer is aborted and the master does one of two things:

- Relinquishes the bus by generating a STOP signal.
- Commences a new call by generating a repeated START signal.

36.5.1.4 STOP signal

The master can terminate the communication by generating a STOP signal to free the bus. A STOP signal is defined as a low-to-high transition of SDA while SCL is asserted.

36.5.1.5 Repeated START signal

The master may generate a START signal followed by a calling command without generating a STOP signal first. This action is called a repeated START. The master uses a repeated START to communicate with another slave or with the same slave in a different mode (transmit/receive mode) without releasing the bus. The master needs to send a NACK signal before sending repeated-START in the buffering mode.

36.5.1.6 Arbitration procedure

The I2C bus is a true multimaster bus that allows more than one master to be connected on it.

If two or more masters try to control the bus at the same time, a clock synchronization procedure determines the bus clock. The bus clock's low period is equal to the longest clock low period, and the high period is equal to the shortest one among the masters.

The relative priority of the contending masters is determined by a data arbitration procedure. A bus master loses arbitration if it transmits logic level 1 while another master transmits logic level 0. The losing masters immediately switch to slave receive mode and stop driving SDA output. In this case, the transition from master to slave mode does not generate a STOP condition. Meanwhile, hardware sets a status bit to indicate the loss of arbitration.

36.5.1.7 Clock synchronization

Because wire AND logic is performed on SCL, a high-to-low transition on SCL affects all devices connected on the bus. The devices start counting their low period and, after a device's clock has gone low, that device holds SCL low until the clock reaches its high state. However, the change of low to high in this device clock might not change the state of SCL if another device clock is still within its low period. Therefore, the synchronized clock SCL is held low by the device with the longest low period. Devices with shorter low periods enter a high wait state during this time; see the following diagram. When all applicable devices have counted off their low period, the synchronized clock SCL is released and pulled high. Afterward there is no difference between the device clocks and the state of SCL, and all devices start counting their high periods. The first device to complete its high period pulls SCL low again.

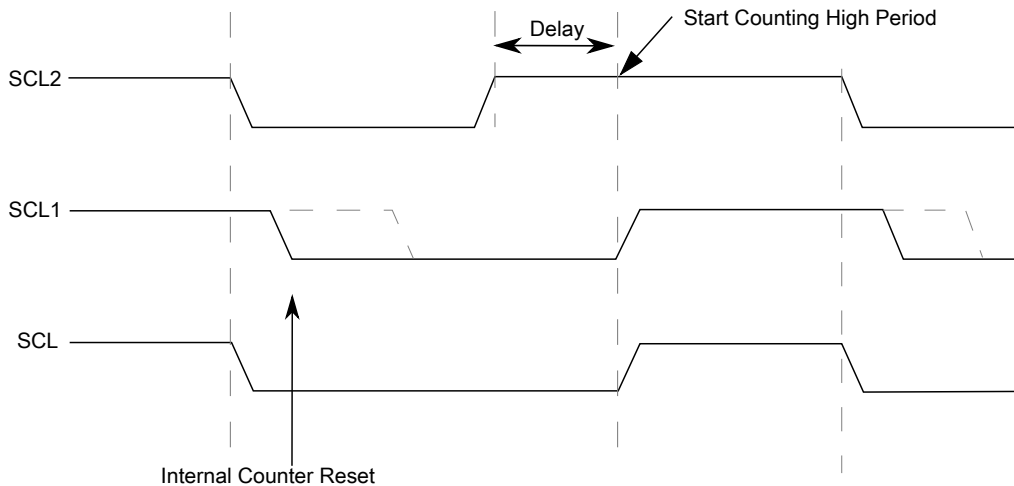


Figure 36-3. I2C clock synchronization

36.5.1.8 Handshaking

The clock synchronization mechanism can be used as a handshake in data transfers. A slave device may hold SCL low after completing a single byte transfer (9 bits). In this case, it halts the bus clock and forces the master clock into wait states until the slave releases SCL.

36.5.1.9 Clock stretching

The clock synchronization mechanism can be used by slaves to slow down the bit rate of a transfer. After the master drives SCL low, a slave can drive SCL low for the required period and then release it. If the slave's SCL low period is greater than the master's SCL low period, the resulting SCL bus signal's low period is stretched. In other words, the SCL bus signal's low period is increased to be the same length as the slave's SCL low period.

36.5.1.10 I2C divider and hold values

NOTE

For some cases on some devices, the SCL divider value may vary by ± 2 or ± 4 when ICR's value ranges from 00h to 0Fh. These potentially varying SCL divider values are highlighted in the following table. For the actual SCL divider values for your device, see the chip-specific details about the I2C module.

Table 36-2. I2C divider and hold values

ICR (hex)	SCL divider	SDA hold value	SCL hold (start) value	SCL hold (stop) value	ICR (hex)	SCL divider (clocks)	SDA hold (clocks)	SCL hold (start) value	SCL hold (stop) value
00	20	7	6	11	20	160	17	78	81
01	22	7	7	12	21	192	17	94	97
02	24	8	8	13	22	224	33	110	113
03	26	8	9	14	23	256	33	126	129
04	28	9	10	15	24	288	49	142	145
05	30	9	11	16	25	320	49	158	161
06	34	10	13	18	26	384	65	190	193
07	40	10	16	21	27	480	65	238	241
08	28	7	10	15	28	320	33	158	161
09	32	7	12	17	29	384	33	190	193
0A	36	9	14	19	2A	448	65	222	225
0B	40	9	16	21	2B	512	65	254	257
0C	44	11	18	23	2C	576	97	286	289
0D	48	11	20	25	2D	640	97	318	321
0E	56	13	24	29	2E	768	129	382	385
0F	68	13	30	35	2F	960	129	478	481
10	48	9	18	25	30	640	65	318	321
11	56	9	22	29	31	768	65	382	385
12	64	13	26	33	32	896	129	446	449
13	72	13	30	37	33	1024	129	510	513
14	80	17	34	41	34	1152	193	574	577
15	88	17	38	45	35	1280	193	638	641
16	104	21	46	53	36	1536	257	766	769
17	128	21	58	65	37	1920	257	958	961
18	80	9	38	41	38	1280	129	638	641
19	96	9	46	49	39	1536	129	766	769
1A	112	17	54	57	3A	1792	257	894	897
1B	128	17	62	65	3B	2048	257	1022	1025
1C	144	25	70	73	3C	2304	385	1150	1153
1D	160	25	78	81	3D	2560	385	1278	1281
1E	192	33	94	97	3E	3072	513	1534	1537
1F	240	33	118	121	3F	3840	513	1918	1921

36.5.2 10-bit address

For 10-bit addressing, 0x11110 is used for the first 5 bits of the first address byte. Various combinations of read/write formats are possible within a transfer that includes 10-bit addressing.

36.5.2.1 Master-transmitter addresses a slave-receiver

The transfer direction is not changed. When a 10-bit address follows a START condition, each slave compares the first 7 bits of the first byte of the slave address (11110XX) with its own address and tests whether the eighth bit (R/\overline{W} direction bit) is 0. It is possible that more than one device finds a match and generates an acknowledge (A1). Each slave that finds a match compares the 8 bits of the second byte of the slave address with its own address, but only one slave finds a match and generates an acknowledge (A2). The matching slave remains addressed by the master until it receives a STOP condition (P) or a repeated START condition (Sr) followed by a different slave address.

Table 36-3. Master-transmitter addresses slave-receiver with a 10-bit address

S	Slave address first 7 bits 11110 + AD10 + AD9	R/W 0	A1	Slave address second byte AD[8:1]	A2	Data	A	...	Data	A/A	P
---	--	----------	----	--------------------------------------	----	------	---	-----	------	-----	---

After the master-transmitter has sent the first byte of the 10-bit address, the slave-receiver sees an I2C interrupt. User software must ensure that for this interrupt, the contents of the Data register are ignored and not treated as valid data.

36.5.2.2 Master-receiver addresses a slave-transmitter

The transfer direction is changed after the second R/\overline{W} bit. Up to and including acknowledge bit A2, the procedure is the same as that described for a master-transmitter addressing a slave-receiver. After the repeated START condition (Sr), a matching slave remembers that it was addressed before. This slave then checks whether the first seven bits of the first byte of the slave address following Sr are the same as they were after the START condition (S), and it tests whether the eighth (R/\overline{W}) bit is 1. If there is a match, the slave considers that it has been addressed as a transmitter and generates acknowledge A3. The slave-transmitter remains addressed until it receives a STOP condition (P) or a repeated START condition (Sr) followed by a different slave address.

After a repeated START condition (Sr), all other slave devices also compare the first seven bits of the first byte of the slave address with their own addresses and test the eighth (R/\overline{W}) bit. However, none of them are addressed because $R/\overline{W} = 1$ (for 10-bit devices), or the 11110XX slave address (for 7-bit devices) does not match.

Table 36-4. Master-receiver addresses a slave-transmitter with a 10-bit address

S	Slave address first 7 bits 11110 + AD10 + AD9	R/W 0	A1	Slave address second byte AD[8:1]	A2	Sr	Slave address first 7 bits 11110 + AD10 + AD9	R/W 1	A3	Data	A	...	Data	A	P
---	--	----------	----	--------------------------------------	----	----	--	----------	----	------	---	-----	------	---	---

After the master-receiver has sent the first byte of the 10-bit address, the slave-transmitter sees an I2C interrupt. User software must ensure that for this interrupt, the contents of the Data register are ignored and not treated as valid data.

36.5.3 Address matching

All received addresses can be requested in 7-bit or 10-bit address format.

- AD[7:1] in Address Register 1, which contains the I2C primary slave address, always participates in the address matching process. It provides a 7-bit address.
- If the ADEXT bit is set, AD[10:8] in Control Register 2 participates in the address matching process. It extends the I2C primary slave address to a 10-bit address.

Additional conditions that affect address matching include:

- If the GCAEN bit is set, general call participates the address matching process.
- If the ALERTEN bit is set, alert response participates the address matching process.
- If the SIICAEN bit is set, Address Register 2 participates in the address matching process.
- If the RMEN bit is set, when the Range Address register is programmed to a nonzero value, any address within the range of values of Address Register 1 (excluded) and the Range Address register (included) participates in the address matching process. The Range Address register must be programmed to a value greater than the value of Address Register 1.

When the I2C module responds to one of these addresses, it acts as a slave-receiver and the IAAS bit is set after the address cycle. Software must read the Data register after the first byte transfer to determine that the address is matched.

36.5.4 System management bus specification

SMBus provides a control bus for system and power management related tasks. A system can use SMBus to pass messages to and from devices instead of tripping individual control lines.

Removing the individual control lines reduces pin count. Accepting messages ensures future expandability. With the system management bus, a device can provide manufacturer information, tell the system what its model/part number is, save its state for a suspend event, report different types of errors, accept control parameters, and return its status.

36.5.4.1 Timeouts

The $T_{\text{TIMEOUT,MIN}}$ parameter allows a master or slave to conclude that a defective device is holding the clock low indefinitely or a master is intentionally trying to drive devices off the bus. The slave device must release the bus (stop driving the bus and let SCL and SDA float high) when it detects any single clock held low longer than $T_{\text{TIMEOUT,MIN}}$. Devices that have detected this condition must reset their communication and be able to receive a new START condition within the timeframe of $T_{\text{TIMEOUT,MAX}}$.

SMBus defines a clock low timeout, T_{TIMEOUT} , of 35 ms, specifies $T_{\text{LOW:SEXT}}$ as the cumulative clock low extend time for a slave device, and specifies $T_{\text{LOW:MEXT}}$ as the cumulative clock low extend time for a master device.

36.5.4.1.1 SCL low timeout

If the SCL line is held low by a slave device on the bus, no further communication is possible. Furthermore, the master cannot force the SCL line high to correct the error condition. To solve this problem, the SMBus protocol specifies that devices participating in a transfer must detect any clock cycle held low longer than a timeout value condition. Devices that have detected the timeout condition must reset the communication. When the I2C module is an active master, if it detects that SMBCLK low has exceeded the value of $T_{\text{TIMEOUT,MIN}}$, it must generate a stop condition within or after the current data byte in the transfer process. When the I2C module is a slave, if it detects the $T_{\text{TIMEOUT,MIN}}$ condition, it resets its communication and is then able to receive a new START condition.

36.5.4.1.2 SCL high timeout

When the I2C module has determined that the SMBCLK and SMBDAT signals have been high for at least $T_{HIGH:MAX}$, it assumes that the bus is idle.

A HIGH timeout occurs after a START condition appears on the bus but before a STOP condition appears on the bus. Any master detecting this scenario can assume the bus is free when either of the following occurs:

- SHTF1 rises.
- The BUSY bit is high and SHTF1 is high.

When the SMBDAT signal is low and the SMBCLK signal is high for a period of time, another kind of timeout occurs. The time period must be defined in software. SHTF2 is used as the flag when the time limit is reached. This flag is also an interrupt resource, so it triggers IICIF.

36.5.4.1.3 CSMBCLK TIMEOUT MEXT and CSMBCLK TIMEOUT SEXT

The following figure illustrates the definition of the timeout intervals $T_{LOW:SEXT}$ and $T_{LOW:MEXT}$. When in master mode, the I2C module must not cumulatively extend its clock cycles for a period greater than $T_{LOW:MEXT}$ within a byte, where each byte is defined as START-to-ACK, ACK-to-ACK, or ACK-to-STOP. When CSMBCLK TIMEOUT MEXT occurs, SMBus MEXT rises and also triggers the SLTF.

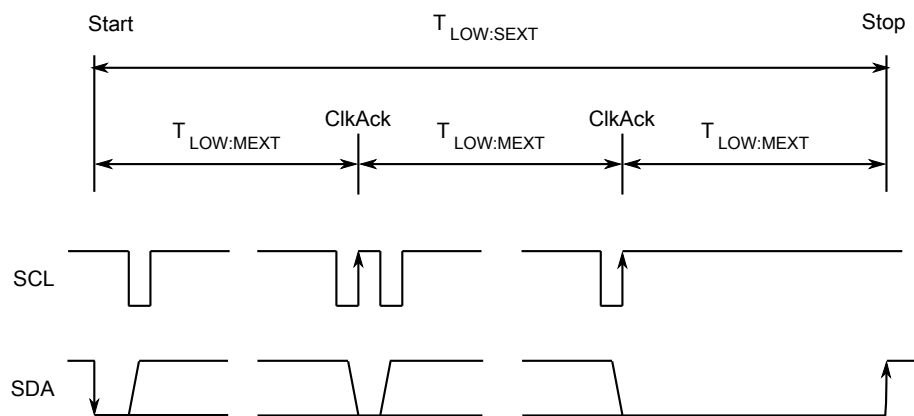


Figure 36-4. Timeout measurement intervals

A master is allowed to abort the transaction in progress to any slave that violates the $T_{LOW:SEXT}$ or $T_{TIMEOUT,MIN}$ specifications. To abort the transaction, the master issues a STOP condition at the conclusion of the byte transfer in progress. When a slave, the I2C module must not cumulatively extend its clock cycles for a period greater than $T_{LOW:SEXT}$ during any message from the initial START to the STOP. When CSMBCLK TIMEOUT SEXT occurs, SEXT rises and also triggers SLTF.

NOTE

CSMBCLK TIMEOUT SEXT and CSMBCLK TIMEOUT MEXT are optional functions that are implemented in the second step.

36.5.4.2 FAST ACK and NACK

To improve reliability and communication robustness, implementation of packet error checking (PEC) by SMBus devices is optional for SMBus devices but required for devices participating in and only during the address resolution protocol (ARP) process. The PEC is a CRC-8 error checking byte, calculated on all the message bytes. The PEC is appended to the message by the device that supplied the last data byte. If the PEC is present but not correct, a NACK is issued by the receiver. Otherwise an ACK is issued. To calculate the CRC-8 by software, this module can hold the SCL line low after receiving the eighth SCL (8th bit) if this byte is a data byte. So software can determine whether an ACK or NACK should be sent to the bus by setting or clearing the TXAK bit if the FACK (fast ACK/NACK enable) bit is enabled.

SMBus requires a device always to acknowledge its own address, as a mechanism to detect the presence of a removable device (such as a battery or docking station) on the bus. In addition to indicating a slave device busy condition, SMBus uses the NACK mechanism to indicate the reception of an invalid command or invalid data. Because such a condition may occur on the last byte of the transfer, SMBus devices are required to have the ability to generate the not acknowledge after the transfer of each byte and before the completion of the transaction. This requirement is important because SMBus does not provide any other resend signaling. This difference in the use of the NACK signaling has implications on the specific implementation of the SMBus port, especially in devices that handle critical system data such as the SMBus host and the SBS components.

NOTE

In the last byte of master receive slave transmit mode, the master must send a NACK to the bus, so FACK must be switched off before the last byte transmits.

36.5.5 Resets

The I2C module is disabled after a reset. The I2C module cannot cause a core reset.

36.5.6 Interrupts

The I2C module generates an interrupt when any of the events in the table found here occur, provided that the IICIE bit is set.

The interrupt is driven by the IICIF bit (of the I2C Status Register) and masked with the IICIE bit (of the I2C Control Register 1). The IICIF bit must be cleared (by software) by writing 1 to it in the interrupt routine. The SMBus timeouts interrupt is driven by SLTF and masked with the IICIE bit. The SLTF bit must be cleared by software by writing 1 to it in the interrupt routine. You can determine the interrupt type by reading the Status Register.

NOTE

In master receive mode, the FACK bit must be set to zero before the last byte transfer.

Table 36-5. Interrupt summary

Interrupt source	Status	Flag	Local enable
Complete 1-byte transfer	TCF	IICIF	IICIE
Match of received calling address	IAAS	IICIF	IICIE
Arbitration lost	ARBL	IICIF	IICIE
I ² C bus stop detection	STOPF	IICIF	IICIE & SSIE
I ² C bus start detection	STARTF	IICIF	IICIE & SSIE
SMBus SCL low timeout	SLTF	IICIF	IICIE
SMBus SCL high SDA low timeout	SHTF2	IICIF	IICIE & SHTF2IE
Wakeup from stop or wait mode	IAAS	IICIF	IICIE & WUEN

36.5.6.1 Byte transfer interrupt

The Transfer Complete Flag (TCF) bit is set at the falling edge of the ninth clock to indicate the completion of a byte and acknowledgement transfer. When FACK is enabled, TCF is then set at the falling edge of eighth clock to indicate the completion of byte.

36.5.6.2 Address detect interrupt

When the calling address matches the programmed slave address (I2C Address Register) or when the GCAEN bit is set and a general call is received, the IAAS bit in the Status Register is set. The CPU is interrupted, provided the IICIE bit is set. The CPU must check the SRW bit and set its Tx mode accordingly.

36.5.6.3 Stop Detect Interrupt

When the stop status is detected on the I²C bus, the STOPF bit is set to 1. The CPU is interrupted, provided the IICIE and SSIE bits are both set to 1.

36.5.6.4 Exit from low-power/stop modes

The slave receive input detect circuit and address matching feature are still active on low power modes (wait and stop). An asynchronous input matching slave address or general call address brings the CPU out of low power/stop mode if the interrupt is not masked. Therefore, TCF and IAAS both can trigger this interrupt.

36.5.6.5 Arbitration lost interrupt

The I2C is a true multimaster bus that allows more than one master to be connected on it. If two or more masters try to control the bus at the same time, the relative priority of the contending masters is determined by a data arbitration procedure. The I2C module asserts the arbitration-lost interrupt when it loses the data arbitration process and the ARBL bit in the Status Register is set.

Arbitration is lost in the following circumstances:

1. SDA is sampled as low when the master drives high during an address or data transmit cycle.
2. SDA is sampled as low when the master drives high during the acknowledge bit of a data receive cycle.
3. A START cycle is attempted when the bus is busy.
4. A repeated START cycle is requested in slave mode.
5. A STOP condition is detected when the master did not request it.

The ARBL bit must be cleared (by software) by writing 1 to it.

36.5.6.6 Timeout interrupt in SMBus

When the IICIE bit is set, the I2C module asserts a timeout interrupt (outputs SLTF and SHTF2) upon detection of any of the mentioned timeout conditions, with one exception. The SCL high and SDA high TIMEOUT mechanism must not be used to influence the timeout interrupt output, because this timeout indicates an idle condition on the bus. SHTF1 rises when it matches the SCL high and SDA high TIMEOUT and falls automatically just to indicate the bus status. The SHTF2's timeout period is the same as that of SHTF1, which is short compared to that of SLTF, so another control bit, SHTF2IE, is added to enable or disable it.

36.5.7 Programmable input glitch filter

An I2C glitch filter has been added outside legacy I2C modules but within the I2C package. This filter can absorb glitches on the I2C clock and data lines for the I2C module.

The width of the glitch to absorb can be specified in terms of the number of (half) I2C module clock cycles. A single Programmable Input Glitch Filter control register is provided. Effectively, any down-up-down or up-down-up transition on the data line that occurs within the number of clock cycles programmed in this register is ignored by the I2C module. The programmer must specify the size of the glitch (in terms of I2C module clock cycles) for the filter to absorb and not pass.

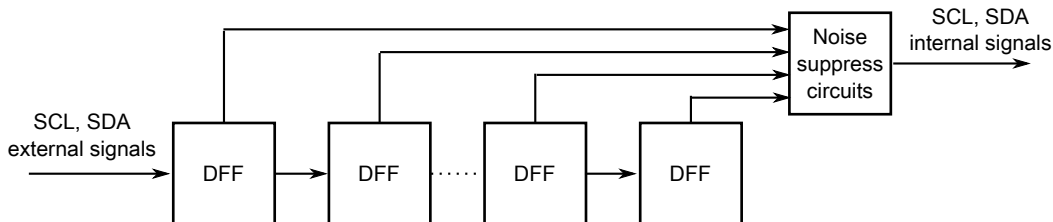


Figure 36-5. Programmable input glitch filter diagram

36.5.8 Address matching wake-up

When a primary, range, or general call address match occurs when the I2C module is in slave receive mode, the MCU wakes from a low power mode where no peripheral bus is running.

Data sent on the bus that is the same as a target device address might also wake the target MCU.

After the address matching IAAS bit is set, an interrupt is sent at the end of address matching to wake the core. The IAAS bit must be cleared after the clock recovery.

NOTE

After the system recovers and is in Run mode, restart the I2C module if it is needed to transfer packets. To avoid I2C transfer problems resulting from the situation, firmware should prevent the MCU execution of a STOP instruction when the I2C module is in the middle of a transfer unless the Stop mode holdoff feature is used during this period (set FLT[SHEN] to 1).

NOTE

After I2C address matching wake-up, the master must wait a time long enough for the slave ISR to finish running and resend start or repeat start signals.

For the SRW bit to function properly, it only supports Address+Write to wake up by I2C address matching. Before entering the next low power mode, Address+Write must be sent to change the SRW status.

36.5.9 DMA support

If the DMAEN bit is cleared and the IICIE bit is set, an interrupt condition generates an interrupt request.

If the DMAEN bit is set and the IICIE bit is set, an interrupt condition generates a DMA request instead. DMA requests are generated by the transfer complete flag (TCF).

If the DMAEN bit is set, only the TCF initiates a DMA request. All other events generate CPU interrupts.

NOTE

Before the last byte of master receive mode, TXAK must be set to send a NACK after the last byte's transfer. Therefore, the DMA must be disabled before the last byte's transfer.

NOTE

In 10-bit address mode transmission, the addresses to send occupy 2–3 bytes. During this transfer period, the DMA must be disabled because the C1 register is written to send a repeat start or to change the transfer direction.

36.5.10 Double buffering mode

In the double buffering mode, the data transfer is processed byte by byte. However, the data can be transferred without waiting for the interrupt or the polling to finish. This means the write/read I2C_D operation will not block the data transfer, as the hardware has already finished the internal write or read. The benefit is that the baud rate is able to achieve higher speed.

There are several items to consider as follows:

- When initiating a double buffering transfer at Tx side, the user can write 2 values to the I2C_D buffer before transfer. However, that is allowed only at one time per package frame (due to the buffer depth, and because two-times writes in each ISR are not allowed). The second write to the I2C_D buffer must wait for the Empty flag. On the other hand, at Rx side the user can read twice in a one-byte transfer (if needed).

NOTE

Check Empty flag before write to I2C_D.

Write twice to the I2C_D buffer ONLY after the address matching byte. Do not write twice (Address+Data) before START or at the beginning of I2C transfer, especially when the baud rate is very slow.

- To write twice in one frame, during the next-to-last ISR, do a dummy read from the I2C_D buffer at Tx side (or the TCF will stay high, because the TCF is cleared by write/read operation). In the next-to-last ISR, do not send data again (the buffer data will be under running).
- To keep new ISRs software-compatible with previous ISRs, the write/read I2C_D operation will not block the internal-hardware-released SCL/SDA signals. At the ACK phase, the bus is released to accept the next byte if the master can send the clock immediately.
- On the slave side, two-times writes to the I2C_D buffer may be limited by the master's clock and START/repeated-START signal. This is not currently supported, and the master's START/repeated-START signal will break data transfers. To release the bus, do a dummy read or write to the I2C_D buffer again. It is suggested to send repeated-START/START during intervals as before.
- The master receive should send a NACK in the next-to-last ISR, if it wants to do the STOP or the repeated-START work. The transmitting slave which receives the NACK, will switch to receive mode, and do a dummy read to release SCL and SDA signals.

36.6 Initialization/application information

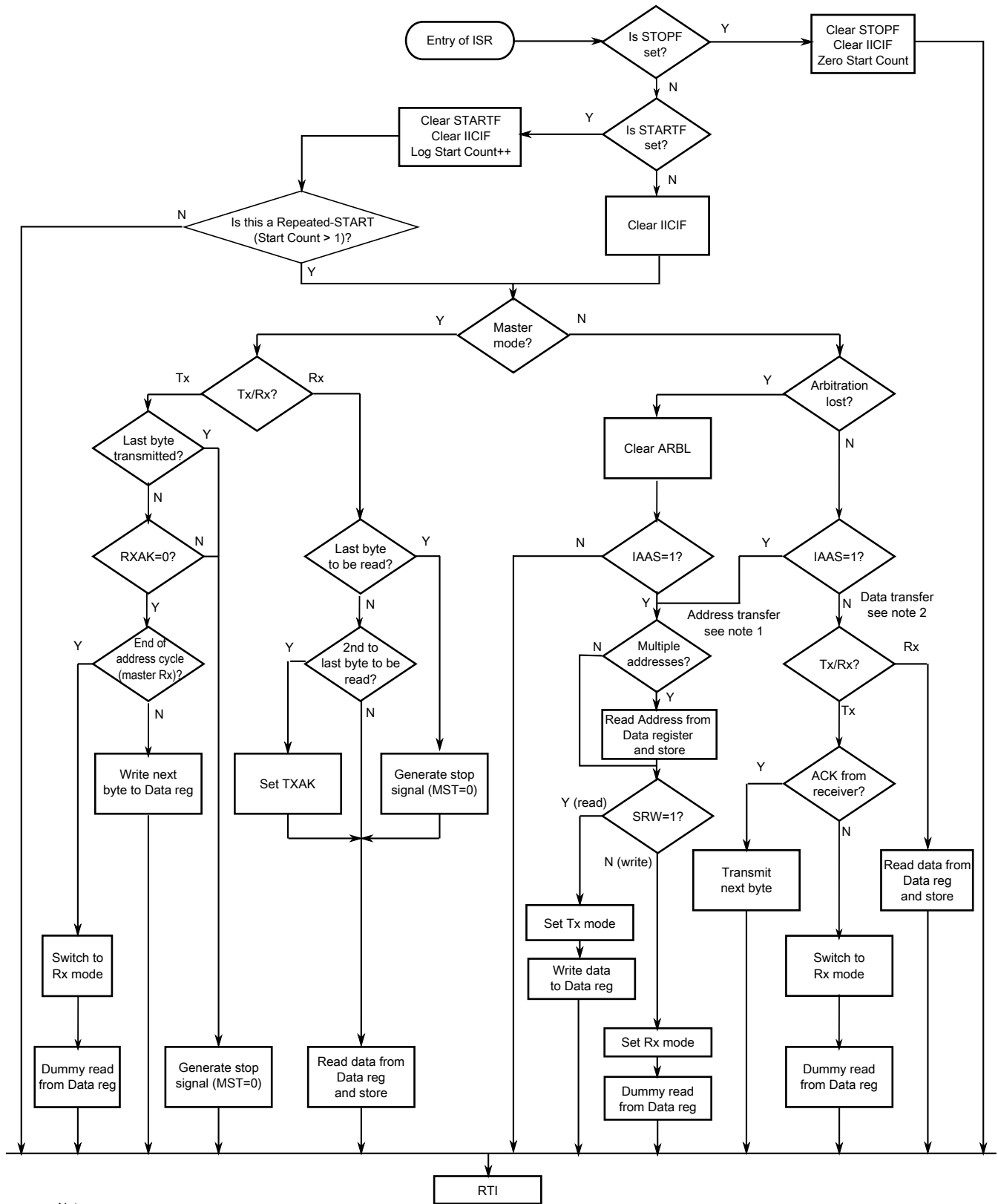
Module Initialization (Slave)

1. Write: Control Register 2
 - to enable or disable general call
 - to select 10-bit or 7-bit addressing mode
2. Write: Address Register 1 to set the slave address
3. Write: Control Register 1 to enable the I2C module and interrupts
4. Initialize RAM variables (IICEN = 1 and IICIE = 1) for transmit data
5. Initialize RAM variables used to achieve the routine shown in the following figure

Module Initialization (Master)

1. Write: Frequency Divider register to set the I2C baud rate (see example in description of [ICR](#))
2. Write: Control Register 1 to enable the I2C module and interrupts
3. Initialize RAM variables (IICEN = 1 and IICIE = 1) for transmit data
4. Initialize RAM variables used to achieve the routine shown in the following figure
5. Write: Control Register 1 to enable TX
6. Write: Control Register 1 to enable MST (master mode)
7. Write: Data register with the address of the target slave (the LSB of this byte determines whether the communication is master receive or transmit)

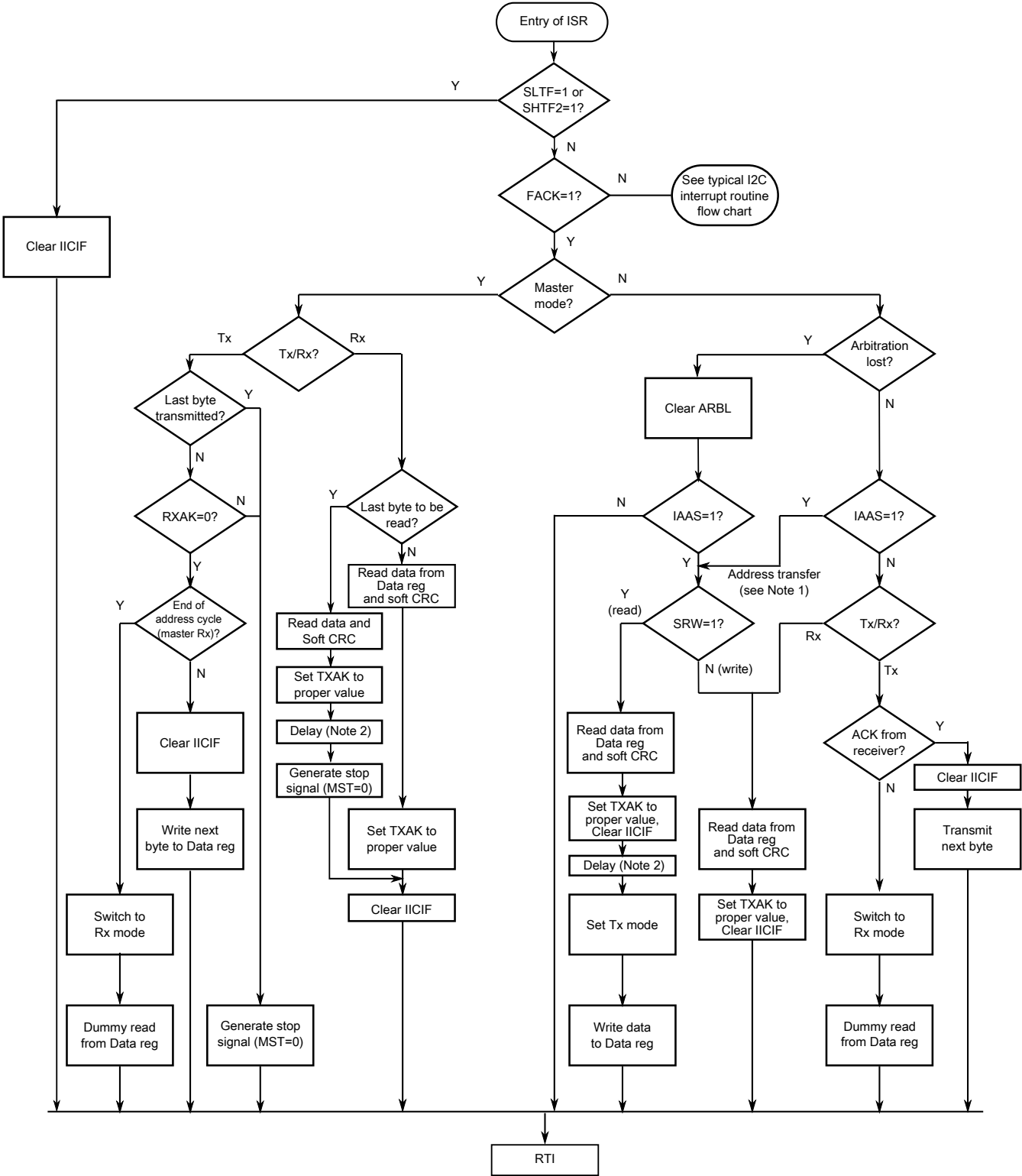
The routine shown in the following figure encompasses both master and slave I2C operations. For slave operation, an incoming I2C message that contains the proper address begins I2C communication. For master operation, communication must be initiated by writing the Data register. An example of an I2C driver which implements many of the steps described here is available in [AN4342: Using the Inter-Integrated Circuit on ColdFire+ and Kinetis](#) .



Notes:

1. If general call is enabled, check to determine if the received address is a general call address (0x00). If the received address is a general call address, the general call must be handled by user software.
2. When 10-bit addressing addresses a slave, the slave sees an interrupt following the first byte of the extended address. Ensure that for this interrupt, the contents of the Data register are ignored and not treated as a valid data transfer.

Figure 36-6. Typical I2C interrupt routine



- Notes:
1. If general call or SIICAE is enabled, check to TXAK to determine if the received address is a general call address (0x00) or an SMBus device default address. In either case, they must be handled by user software.
 2. In receive mode, one bit time delay may be needed before the stop signal generation, to wait for the possible longest time period (in worst case) of the 9th SCL cycle.

Figure 36-7. Typical I2C SMBus interrupt routine

Chapter 37

Low Power Universal asynchronous receiver/transmitter (LPUART)

37.1 Chip-specific LPUART information

37.1.1 LPUART0 and LPUART1 overview

These modules supports basic UART with DMA interface function, x4 to x32 oversampling of baud-rate.

This module supports LIN slave operation.

The module can remain functional in VLPS mode provided the clock it is using remains enabled.

37.2 Introduction

37.2.1 Features

Features of the LPUART module include:

- Full-duplex, standard non-return-to-zero (NRZ) format
- Programmable baud rates (13-bit modulo divider) with configurable oversampling ratio from 4x to 32x
- Transmit and receive baud rate can operate asynchronous to the bus clock:
 - Baud rate can be configured independently of the bus clock frequency
 - Supports operation in Stop modes
- Interrupt, DMA or polled operation:
 - Transmit data register empty and transmission complete

- Receive data register full
- Receive overrun, parity error, framing error, and noise error
- Idle receiver detect
- Active edge on receive pin
- Break detect supporting LIN
- Receive data match
- Hardware parity generation and checking
- Programmable 8-bit, 9-bit or 10-bit character length
- Programmable 1-bit or 2-bit stop bits
- Three receiver wakeup methods:
 - Idle line wakeup
 - Address mark wakeup
 - Receive data match
- Automatic address matching to reduce ISR overhead:
 - Address mark matching
 - Idle line address matching
 - Address match start, address match end
- Optional 13-bit break character generation / 11-bit break character detection
- Configurable idle length detection supporting 1, 2, 4, 8, 16, 32, 64 or 128 idle characters
- Selectable transmitter output and receiver input polarity

37.2.2 Modes of operation

37.2.2.1 Stop mode

The LPUART will remain functional during Stop mode, provided the asynchronous transmit and receive clock remains enabled. The LPUART can generate an interrupt or DMA request to cause a wakeup from Stop mode.

37.2.2.2 Wait mode

The LPUART can be configured to Stop in Wait modes, when the DOZEEN bit is set. The transmitter and receiver will finish transmitting/receiving the current word.

37.2.2.3 Debug mode

The LPUART remains functional in debug mode.

37.2.3 Signal Descriptions

Signal	Description	I/O
LPUART_TX	Transmit data. This pin is normally an output, but is an input (tristated) in single wire mode whenever the transmitter is disabled or transmit direction is configured for receive data.	I/O
LPUART_RX	Receive data.	I

37.2.4 Block diagram

The following figure shows the transmitter portion of the LPUART.

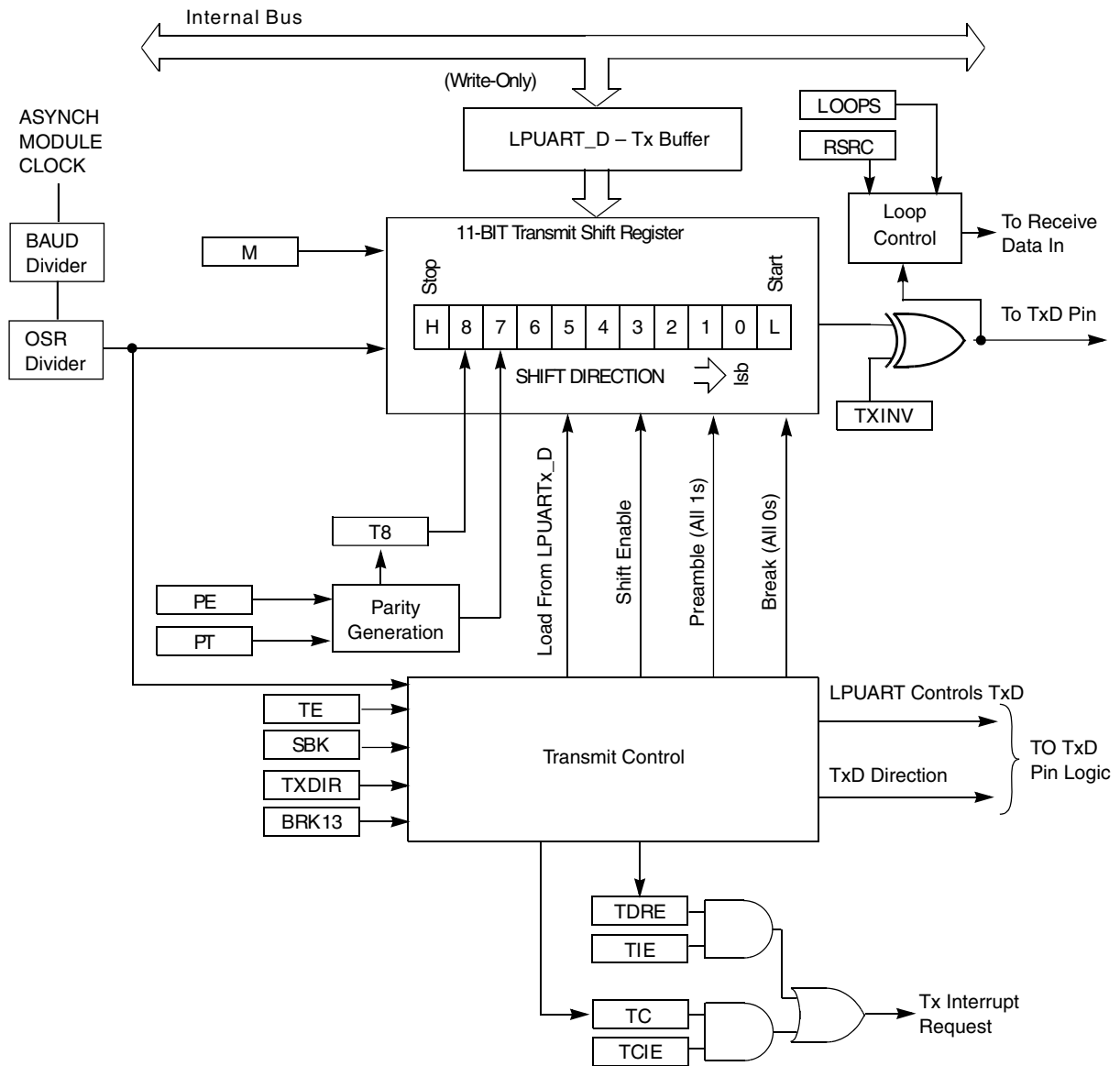


Figure 37-1. LPUART transmitter block diagram

The following figure shows the receiver portion of the LPUART.

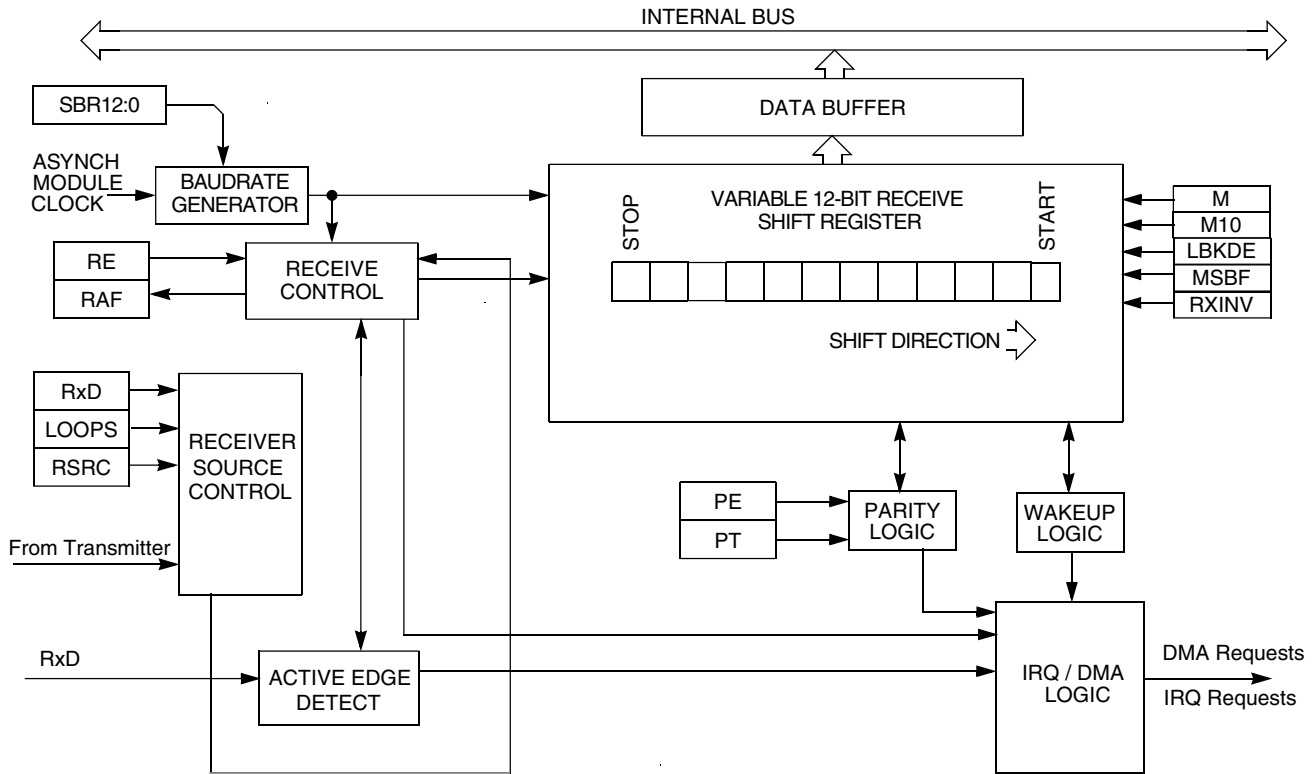


Figure 37-2. LPUART receiver block diagram

37.3 Register definition

The LPUART includes registers to control baud rate, select LPUART options, report LPUART status, and for transmit/receive data. Access to an address outside the valid memory map will generate a bus error.

LPUART memory map

Absolute address (hex)	Register name	Width (in bits)	Access	Reset value	Section/page
4005_4000	LPUART Baud Rate Register (LPUART0_BAUD)	32	R/W	0F00_0004h	37.3.1/666
4005_4004	LPUART Status Register (LPUART0_STAT)	32	R/W	00C0_0000h	37.3.2/668
4005_4008	LPUART Control Register (LPUART0_CTRL)	32	R/W	0000_0000h	37.3.3/672
4005_400C	LPUART Data Register (LPUART0_DATA)	32	R/W	0000_1000h	37.3.4/677
4005_4010	LPUART Match Address Register (LPUART0_MATCH)	32	R/W	0000_0000h	37.3.5/679
4005_5000	LPUART Baud Rate Register (LPUART1_BAUD)	32	R/W	0F00_0004h	37.3.1/666
4005_5004	LPUART Status Register (LPUART1_STAT)	32	R/W	00C0_0000h	37.3.2/668
4005_5008	LPUART Control Register (LPUART1_CTRL)	32	R/W	0000_0000h	37.3.3/672
4005_500C	LPUART Data Register (LPUART1_DATA)	32	R/W	0000_1000h	37.3.4/677
4005_5010	LPUART Match Address Register (LPUART1_MATCH)	32	R/W	0000_0000h	37.3.5/679

37.3.1 LPUART Baud Rate Register (LPUARTx_BAUD)

Address: Base address + 0h offset

Bit	31	30	29	28	27	26	25	24	23	22	21	20	19	18	17	16																																																																																								
R	MAEN1								MAEN2								M10								OSR								TDMAE								0								RDMAE								0								MATCFG								BOTHEDGE								RESYNCDIS																							
W	MAEN1								MAEN2								M10								OSR								TDMAE								0								RDMAE								0								MATCFG								BOTHEDGE								RESYNCDIS																							
Reset	0								0								0								1								1								1								1								0								0								0								0								0								0							
Bit	15	14	13	12	11	10	9	8	7	6	5	4	3	2	1	0																																																																																								
R	LBKDIE								RXEDGIE								SBNS								SBR																																																																															
W	LBKDIE								RXEDGIE								SBNS								SBR																																																																															
Reset	0								0								0								0								0								1								0								0																																															

LPUARTx_BAUD field descriptions

Field	Description
31 MAEN1	Match Address Mode Enable 1 0 Normal operation. 1 Enables automatic address matching or data matching mode for MATCH[MA1].
30 MAEN2	Match Address Mode Enable 2 0 Normal operation. 1 Enables automatic address matching or data matching mode for MATCH[MA2].
29 M10	10-bit Mode select The M10 bit causes a tenth bit to be part of the serial transmission. This bit should only be changed when the transmitter and receiver are both disabled. 0 Receiver and transmitter use 8-bit or 9-bit data characters. 1 Receiver and transmitter use 10-bit data characters.
28–24 OSR	Oversampling Ratio This field configures the oversampling ratio for the receiver between 4x (00011) and 32x (11111). Writing an invalid oversampling ratio (for example, a value not between 4x and 32x) will default to an oversampling ratio of 16 (01111). The OSR field should only be changed when the transmitter and receiver are both disabled. Note that the oversampling ratio = OSR + 1.
23 TDMAE	Transmitter DMA Enable TDMAE configures the transmit data register empty flag, LPUART_STAT[TDRE], to generate a DMA request. 0 DMA request disabled. 1 DMA request enabled.

Table continues on the next page...

LPUARTx_BAUD field descriptions (continued)

Field	Description
22 Reserved	This field is reserved. This read-only field is reserved and always has the value 0.
21 RDMAE	Receiver Full DMA Enable RDMAE configures the receiver data register full flag, LPUART_STAT[RDRF], to generate a DMA request. 0 DMA request disabled. 1 DMA request enabled.
20 Reserved	This field is reserved. This read-only field is reserved and always has the value 0.
19–18 MATCFG	Match Configuration Configures the match addressing mode used. 00 Address Match Wakeup 01 Idle Match Wakeup 10 Match On and Match Off 11 Enables RWU on Data Match and Match On/Off
17 BOTHEDGE	Both Edge Sampling Enables sampling of the received data on both edges of the baud rate clock, effectively doubling the number of times the receiver samples the input data for a given oversampling ratio. This bit must be set for oversampling ratios between x4 and x7 and is optional for higher oversampling ratios. This bit should only be changed when the receiver is disabled. 0 Receiver samples input data using the rising edge of the baud rate clock. 1 Receiver samples input data using the rising and falling edge of the baud rate clock.
16 RESYNCDIS	Resynchronization Disable When set, disables the resynchronization of the received data word when a data one followed by data zero transition is detected. This bit should only be changed when the receiver is disabled. 0 Resynchronization during received data word is supported 1 Resynchronization during received data word is disabled
15 LBKDIE	LIN Break Detect Interrupt Enable LBKDIE enables the LIN break detect flag, LBKDIF, to generate interrupt requests. 0 Hardware interrupts from LPUART_STAT[LBKDIF] disabled (use polling). 1 Hardware interrupt requested when LPUART_STAT[LBKDIF] flag is 1.
14 RXEDGIE	RX Input Active Edge Interrupt Enable Enables the receive input active edge, RXEDGIF, to generate interrupt requests. Changing CTRL[LOOP] or CTRL[RSRC] when RXEDGIE is set can cause the RXEDGIF to set. 0 Hardware interrupts from LPUART_STAT[RXEDGIF] disabled (use polling). 1 Hardware interrupt requested when LPUART_STAT[RXEDGIF] flag is 1.
13 SBNS	Stop Bit Number Select SBNS determines whether data characters are one or two stop bits. This bit should only be changed when the transmitter and receiver are both disabled.

Table continues on the next page...

LPUARTx_BAUD field descriptions (continued)

Field	Description
	0 One stop bit. 1 Two stop bits.
SBR	Baud Rate Modulo Divisor. The 13 bits in SBR[12:0] set the modulo divide rate for the baud rate generator. When SBR is 1 - 8191, the baud rate equals "baud clock / ((OSR+1) × SBR)". The 13-bit baud rate setting [SBR12:SBR0] must only be updated when the transmitter and receiver are both disabled (LPUART_CTRL[RE] and LPUART_CTRL[TE] are both 0).

37.3.2 LPUART Status Register (LPUARTx_STAT)

Address: Base address + 4h offset

Bit	31	30	29	28	27	26	25	24	23	22	21	20	19	18	17	16
R	LBKDIF	FXEDGIF	MSBF	RXINV	RWUID	BRK13	LBKDE	RAF	TDRE	TC	RDRF	IDLE	OR	NF	FE	PF
W	w1c	w1c										w1c	w1c	w1c	w1c	w1c
Reset	0	0	0	0	0	0	0	0	1	1	0	0	0	0	0	0
Bit	15	14	13	12	11	10	9	8	7	6	5	4	3	2	1	0
R	MA1F	MA2F	0													
W	w1c	w1c														
Reset	0	0	0	0	0	0	0	0	0	0	0	0	0	0	0	0

LPUARTx_STAT field descriptions

Field	Description
31 LBKDIF	LIN Break Detect Interrupt Flag LBKDIF is set when the LIN break detect circuitry is enabled and a LIN break character is detected. LBKDIF is cleared by writing a 1 to it.

Table continues on the next page...

LPUARTx_STAT field descriptions (continued)

Field	Description
	0 No LIN break character has been detected. 1 LIN break character has been detected.
30 RXEDGIF	LPUART_RX Pin Active Edge Interrupt Flag RXEDGIF is set when an active edge, falling if RXINV = 0, rising if RXINV=1, on the LPUART_RX pin occurs. RXEDGIF is cleared by writing a 1 to it. 0 No active edge on the receive pin has occurred. 1 An active edge on the receive pin has occurred.
29 MSBF	MSB First Setting this bit reverses the order of the bits that are transmitted and received on the wire. This bit does not affect the polarity of the bits, the location of the parity bit or the location of the start or stop bits. This bit should only be changed when the transmitter and receiver are both disabled. 0 LSB (bit0) is the first bit that is transmitted following the start bit. Further, the first bit received after the start bit is identified as bit0. 1 MSB (bit9, bit8, bit7 or bit6) is the first bit that is transmitted following the start bit depending on the setting of CTRL[M], CTRL[PE] and BAUD[M10]. Further, the first bit received after the start bit is identified as bit9, bit8, bit7 or bit6 depending on the setting of CTRL[M] and CTRL[PE].
28 RXINV	Receive Data Inversion Setting this bit reverses the polarity of the received data input. NOTE: Setting RXINV inverts the LPUART_RX input for all cases: data bits, start and stop bits, break, and idle. 0 Receive data not inverted. 1 Receive data inverted.
27 RWUID	Receive Wake Up Idle Detect For RWU on idle character, RWUID controls whether the idle character that wakes up the receiver sets the IDLE bit. For address match wakeup, RWUID controls if the IDLE bit is set when the address does not match. This bit should only be changed when the receiver is disabled. 0 During receive standby state (RWU = 1), the IDLE bit does not get set upon detection of an idle character. During address match wakeup, the IDLE bit does not get set when an address does not match. 1 During receive standby state (RWU = 1), the IDLE bit gets set upon detection of an idle character. During address match wakeup, the IDLE bit does get set when an address does not match.
26 BRK13	Break Character Generation Length BRK13 selects a longer transmitted break character length. Detection of a framing error is not affected by the state of this bit. This bit should only be changed when the transmitter is disabled. 0 Break character is transmitted with length of 10 bit times (if M = 0, SBNS = 0) or 11 (if M = 1, SBNS = 0 or M = 0, SBNS = 1) or 12 (if M = 1, SBNS = 1 or M10 = 1, SNBS = 0) or 13 (if M10 = 1, SNBS = 1). 1 Break character is transmitted with length of 13 bit times (if M = 0, SBNS = 0) or 14 (if M = 1, SBNS = 0 or M = 0, SBNS = 1) or 15 (if M = 1, SBNS = 1 or M10 = 1, SNBS = 0) or 16 (if M10 = 1, SNBS = 1).
25 LBKDE	LIN Break Detection Enable LBKDE selects a longer break character detection length. While LBKDE is set, receive data is not stored in the receive data buffer.

Table continues on the next page...

LPUARTx_STAT field descriptions (continued)

Field	Description
	<p>0 Break character is detected at length 10 bit times (if M = 0, SBNS = 0) or 11 (if M = 1, SBNS = 0 or M = 0, SBNS = 1) or 12 (if M = 1, SBNS = 1 or M10 = 1, SNBS = 0) or 13 (if M10 = 1, SNBS = 1).</p> <p>1 Break character is detected at length of 11 bit times (if M = 0, SBNS = 0) or 12 (if M = 1, SBNS = 0 or M = 0, SBNS = 1) or 14 (if M = 1, SBNS = 1 or M10 = 1, SNBS = 0) or 15 (if M10 = 1, SNBS = 1).</p>
24 RAF	<p>Receiver Active Flag</p> <p>RAF is set when the receiver detects the beginning of a valid start bit, and RAF is cleared automatically when the receiver detects an idle line.</p> <p>0 LPUART receiver idle waiting for a start bit. 1 LPUART receiver active (LPUART_RX input not idle).</p>
23 TDRE	<p>Transmit Data Register Empty Flag</p> <p>TDRE will set when the transmit data register (LPUART_DATA) is empty. To clear TDRE, write to the LPUART data register (LPUART_DATA).</p> <p>TDRE is not affected by a character that is in the process of being transmitted, it is updated at the start of each transmitted character.</p> <p>0 Transmit data buffer full. 1 Transmit data buffer empty.</p>
22 TC	<p>Transmission Complete Flag</p> <p>TC is cleared when there is a transmission in progress or when a preamble or break character is loaded. TC is set when the transmit buffer is empty and no data, preamble, or break character is being transmitted. When TC is set, the transmit data output signal becomes idle (logic 1). TC is cleared by writing to LPUART_DATA to transmit new data, queuing a preamble by clearing and then setting LPUART_CTRL[TE], queuing a break character by writing 1 to LPUART_CTRL[SBK].</p> <p>0 Transmitter active (sending data, a preamble, or a break). 1 Transmitter idle (transmission activity complete).</p>
21 RDRF	<p>Receive Data Register Full Flag</p> <p>RDRF is set when the receive buffer (LPUART_DATA) is full. To clear RDRF, read the LPUART_DATA register.</p> <p>A character that is in the process of being received does not cause a change in RDRF until the entire character is received. Even if RDRF is set, the character will continue to be received until an overrun condition occurs once the entire character is received.</p> <p>0 Receive data buffer empty. 1 Receive data buffer full.</p>
20 IDLE	<p>Idle Line Flag</p> <p>IDLE is set when the LPUART receive line becomes idle for a full character time after a period of activity. When ILT is cleared, the receiver starts counting idle bit times after the start bit. If the receive character is all 1s, these bit times and the stop bits time count toward the full character time of logic high, 10 to 13 bit times, needed for the receiver to detect an idle line. When ILT is set, the receiver doesn't start counting idle bit times until after the stop bits. The stop bits and any logic high bit times at the end of the previous character do not count toward the full character time of logic high needed for the receiver to detect an idle line.</p> <p>To clear IDLE, write logic 1 to the IDLE flag. After IDLE has been cleared, it cannot become set again until after a new character has been stored in the receive buffer or a LIN break character has set the LBKDIF flag. IDLE is set only once even if the receive line remains idle for an extended period.</p>

Table continues on the next page...

LPUARTx_STAT field descriptions (continued)

Field	Description
	0 No idle line detected. 1 Idle line was detected.
19 OR	Receiver Overrun Flag OR is set when software fails to prevent the receive data register from overflowing with data. The OR bit is set immediately after the stop bit has been completely received for the dataword that overflows the buffer and all the other error flags (FE, NF, and PF) are prevented from setting. The data in the shift register is lost, but the data already in the LPUART data registers is not affected. If LBKDE is enabled and a LIN Break is detected, the OR field asserts if LBKDIF is not cleared before the next data character is received. While the OR flag is set, no additional data is stored in the data buffer even if sufficient room exists. To clear OR, write logic 1 to the OR flag. 0 No overrun. 1 Receive overrun (new LPUART data lost).
18 NF	Noise Flag The advanced sampling technique used in the receiver takes three samples in each of the received bits. If any of these samples disagrees with the rest of the samples within any bit time in the frame then noise is detected for that character. NF is set whenever the next character to be read from LPUART_DATA was received with noise detected within the character. To clear NF, write logic one to the NF. 0 No noise detected. 1 Noise detected in the received character in LPUART_DATA.
17 FE	Framing Error Flag FE is set whenever the next character to be read from LPUART_DATA was received with logic 0 detected where a stop bit was expected. To clear FE, write logic one to the FE. 0 No framing error detected. This does not guarantee the framing is correct. 1 Framing error.
16 PF	Parity Error Flag PF is set whenever the next character to be read from LPUART_DATA was received when parity is enabled (PE = 1) and the parity bit in the received character does not agree with the expected parity value. To clear PF, write a logic one to the PF. 0 No parity error. 1 Parity error.
15 MA1F	Match 1 Flag MA1F is set whenever the next character to be read from LPUART_DATA matches MA1. To clear MA1F, write a logic one to the MA1F. 0 Received data is not equal to MA1 1 Received data is equal to MA1
14 MA2F	Match 2 Flag MA2F is set whenever the next character to be read from LPUART_DATA matches MA2. To clear MA2F, write a logic one to the MA2F. 0 Received data is not equal to MA2 1 Received data is equal to MA2

Table continues on the next page...

LPUARTx_STAT field descriptions (continued)

Field	Description
Reserved	This field is reserved. This read-only field is reserved and always has the value 0.

37.3.3 LPUART Control Register (LPUARTx_CTRL)

This read/write register controls various optional features of the LPUART system. This register should only be altered when the transmitter and receiver are both disabled.

Address: Base address + 8h offset

Bit	31	30	29	28	27	26	25	24	23	22	21	20	19	18	17	16
R																
W																
Reset	0	0	0	0	0	0	0	0	0	0	0	0	0	0	0	0
Bit	15	14	13	12	11	10	9	8	7	6	5	4	3	2	1	0
R				0												
W																
Reset	0	0	0	0	0	0	0	0	0	0	0	0	0	0	0	0

LPUARTx_CTRL field descriptions

Field	Description
31 R8T9	Receive Bit 8 / Transmit Bit 9 R8 is the ninth data bit received when the LPUART is configured for 9-bit or 10-bit data formats. When reading 9-bit or 10-bit data, read R8 before reading LPUART_DATA. T9 is the tenth data bit received when the LPUART is configured for 10-bit data formats. When writing 10-bit data, write T9 before writing LPUART_DATA. If T9 does not need to change from its previous value, such as when it is used to generate address mark or parity, they it need not be written each time LPUART_DATA is written.
30 R9T8	Receive Bit 9 / Transmit Bit 8 R9 is the tenth data bit received when the LPUART is configured for 10-bit data formats. When reading 10-bit data, read R9 before reading LPUART_DATA T8 is the ninth data bit received when the LPUART is configured for 9-bit or 10-bit data formats. When writing 9-bit or 10-bit data, write T8 before writing LPUART_DATA. If T8 does not need to change from its previous value, such as when it is used to generate address mark or parity, they it need not be written each time LPUART_DATA is written.

Table continues on the next page...

LPUARTx_CTRL field descriptions (continued)

Field	Description
29 TXDIR	<p>LPUART_TX Pin Direction in Single-Wire Mode</p> <p>When the LPUART is configured for single-wire half-duplex operation (LOOPS = RSRC = 1), this bit determines the direction of data at the LPUART_TX pin. When clearing TXDIR, the transmitter will finish receiving the current character (if any) before the receiver starts receiving data from the LPUART_TX pin.</p> <p>0 LPUART_TX pin is an input in single-wire mode. 1 LPUART_TX pin is an output in single-wire mode.</p>
28 TXINV	<p>Transmit Data Inversion</p> <p>Setting this bit reverses the polarity of the transmitted data output.</p> <p>NOTE: Setting TXINV inverts the LPUART_TX output for all cases: data bits, start and stop bits, break, and idle.</p> <p>0 Transmit data not inverted. 1 Transmit data inverted.</p>
27 ORIE	<p>Overrun Interrupt Enable</p> <p>This bit enables the overrun flag (OR) to generate hardware interrupt requests.</p> <p>0 OR interrupts disabled; use polling. 1 Hardware interrupt requested when OR is set.</p>
26 NEIE	<p>Noise Error Interrupt Enable</p> <p>This bit enables the noise flag (NF) to generate hardware interrupt requests.</p> <p>0 NF interrupts disabled; use polling. 1 Hardware interrupt requested when NF is set.</p>
25 FEIE	<p>Framing Error Interrupt Enable</p> <p>This bit enables the framing error flag (FE) to generate hardware interrupt requests.</p> <p>0 FE interrupts disabled; use polling. 1 Hardware interrupt requested when FE is set.</p>
24 PEIE	<p>Parity Error Interrupt Enable</p> <p>This bit enables the parity error flag (PF) to generate hardware interrupt requests.</p> <p>0 PF interrupts disabled; use polling. 1 Hardware interrupt requested when PF is set.</p>
23 TIE	<p>Transmit Interrupt Enable</p> <p>Enables STAT[TDRE] to generate interrupt requests.</p> <p>0 Hardware interrupts from TDRE disabled; use polling. 1 Hardware interrupt requested when TDRE flag is 1.</p>
22 TCIE	<p>Transmission Complete Interrupt Enable for</p> <p>TCIE enables the transmission complete flag, TC, to generate interrupt requests.</p> <p>0 Hardware interrupts from TC disabled; use polling. 1 Hardware interrupt requested when TC flag is 1.</p>

Table continues on the next page...

LPUARTx_CTRL field descriptions (continued)

Field	Description
21 RIE	<p>Receiver Interrupt Enable</p> <p>Enables STAT[RDRF] to generate interrupt requests.</p> <p>0 Hardware interrupts from RDRF disabled; use polling. 1 Hardware interrupt requested when RDRF flag is 1.</p>
20 ILIE	<p>Idle Line Interrupt Enable</p> <p>ILIE enables the idle line flag, STAT[IDLE], to generate interrupt requests.</p> <p>0 Hardware interrupts from IDLE disabled; use polling. 1 Hardware interrupt requested when IDLE flag is 1.</p>
19 TE	<p>Transmitter Enable</p> <p>Enables the LPUART transmitter. TE can also be used to queue an idle preamble by clearing and then setting TE. When TE is cleared, this register bit will read as 1 until the transmitter has completed the current character and the LPUART_TX pin is tristated.</p> <p>0 Transmitter disabled. 1 Transmitter enabled.</p>
18 RE	<p>Receiver Enable</p> <p>Enables the LPUART receiver. When RE is written to 0, this register bit will read as 1 until the receiver finishes receiving the current character (if any).</p> <p>0 Receiver disabled. 1 Receiver enabled.</p>
17 RWU	<p>Receiver Wakeup Control</p> <p>This field can be set to place the LPUART receiver in a standby state. RWU automatically clears when an RWU event occurs, that is, an IDLE event when CTRL[WAKE] is clear or an address match when CTRL[WAKE] is set with STAT[RWUID] is clear.</p> <p>NOTE: RWU must be set only with CTRL[WAKE] = 0 (wakeup on idle) if the channel is currently not idle. This can be determined by STAT[RAF]. If the flag is set to wake up an IDLE event and the channel is already idle, it is possible that the LPUART will discard data. This is because the data must be received or a LIN break detected after an IDLE is detected before IDLE is allowed to be reasserted.</p> <p>0 Normal receiver operation. 1 LPUART receiver in standby waiting for wakeup condition.</p>
16 SBK	<p>Send Break</p> <p>Writing a 1 and then a 0 to SBK queues a break character in the transmit data stream. Additional break characters of 10 to 13, or 13 to 16 if LPUART_STATBRK13 is set, bit times of logic 0 are queued as long as SBK is set. Depending on the timing of the set and clear of SBK relative to the information currently being transmitted, a second break character may be queued before software clears SBK.</p> <p>0 Normal transmitter operation. 1 Queue break character(s) to be sent.</p>
15 MA1IE	<p>Match 1 Interrupt Enable</p>

Table continues on the next page...

LPUARTx_CTRL field descriptions (continued)

Field	Description
	0 MA1F interrupt disabled 1 MA1F interrupt enabled
14 MA2IE	Match 2 Interrupt Enable 0 MA2F interrupt disabled 1 MA2F interrupt enabled
13–11 Reserved	This field is reserved. This read-only field is reserved and always has the value 0.
10–8 IDLECFG	Idle Configuration Configures the number of idle characters that must be received before the IDLE flag is set. 000 1 idle character 001 2 idle characters 010 4 idle characters 011 8 idle characters 100 16 idle characters 101 32 idle characters 110 64 idle characters 111 128 idle characters
7 LOOPS	Loop Mode Select When LOOPS is set, the LPUART_RX pin is disconnected from the LPUART and the transmitter output is internally connected to the receiver input. The transmitter and the receiver must be enabled to use the loop function. 0 Normal operation - LPUART_RX and LPUART_TX use separate pins. 1 Loop mode or single-wire mode where transmitter outputs are internally connected to receiver input (see RSRC bit).
6 DOZEEN	Doze Enable 0 LPUART is enabled in Doze mode. 1 LPUART is disabled in Doze mode.
5 RSRC	Receiver Source Select This field has no meaning or effect unless the LOOPS field is set. When LOOPS is set, the RSRC field determines the source for the receiver shift register input. 0 Provided LOOPS is set, RSRC is cleared, selects internal loop back mode and the LPUART does not use the LPUART_RX pin. 1 Single-wire LPUART mode where the LPUART_TX pin is connected to the transmitter output and receiver input.
4 M	9-Bit or 8-Bit Mode Select 0 Receiver and transmitter use 8-bit data characters. 1 Receiver and transmitter use 9-bit data characters.
3 WAKE	Receiver Wakeup Method Select Determines which condition wakes the LPUART when RWU=1: <ul style="list-style-type: none"> • Address mark in the most significant bit position of a received data character, or • An idle condition on the receive pin input signal.

Table continues on the next page...

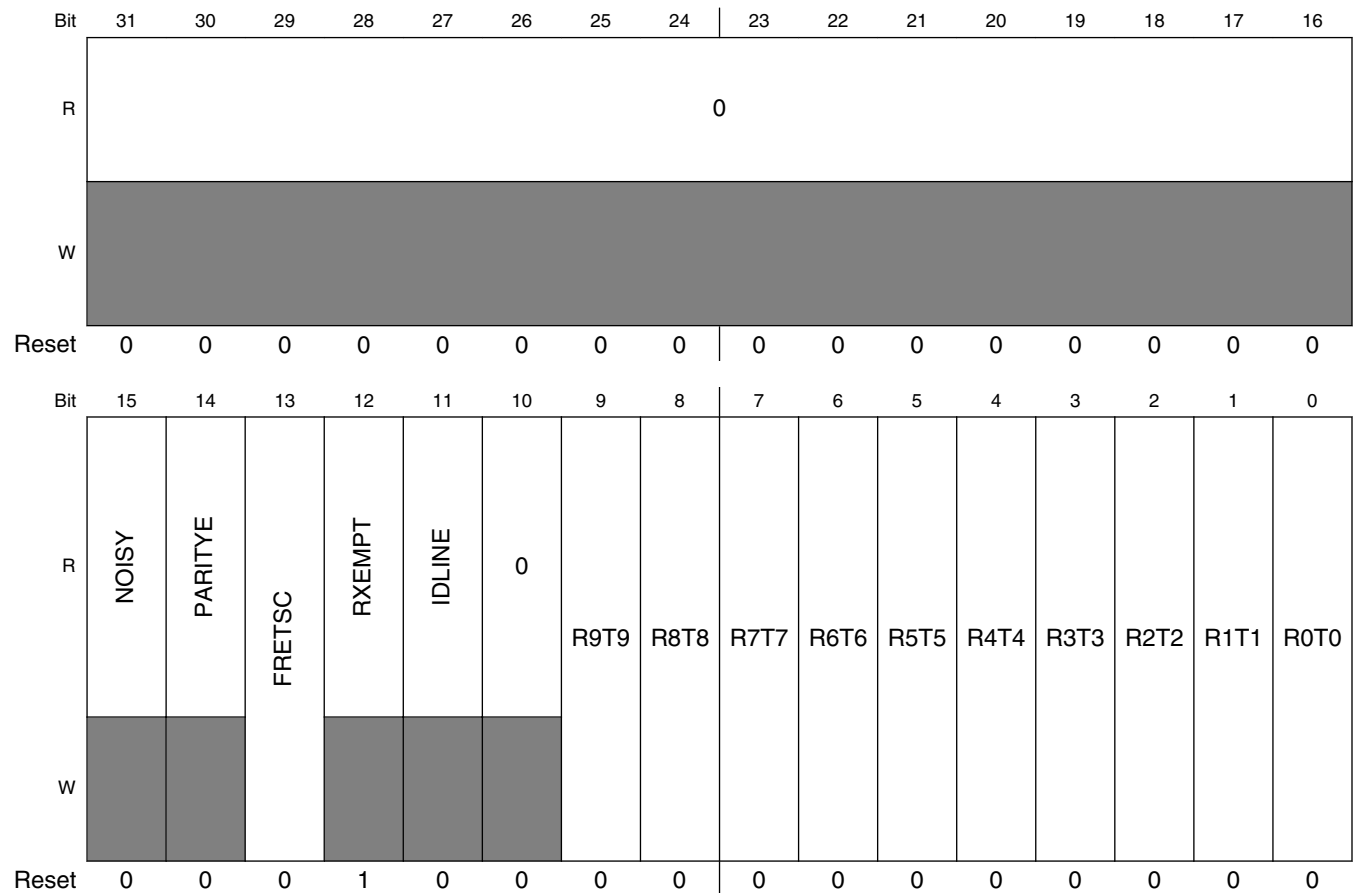
LPUARTx_CTRL field descriptions (continued)

Field	Description
	0 Configures RWU for idle-line wakeup. 1 Configures RWU with address-mark wakeup.
2 ILT	Idle Line Type Select Determines when the receiver starts counting logic 1s as idle character bits. The count begins either after a valid start bit or after the stop bit. If the count begins after the start bit, then a string of logic 1s preceding the stop bit can cause false recognition of an idle character. Beginning the count after the stop bit avoids false idle character recognition, but requires properly synchronized transmissions. NOTE: In case the LPUART is programmed with ILT = 1, a logic 0 is automatically shifted after a received stop bit, therefore resetting the idle count. 0 Idle character bit count starts after start bit. 1 Idle character bit count starts after stop bit.
1 PE	Parity Enable Enables hardware parity generation and checking. When parity is enabled, the bit immediately before the stop bit is treated as the parity bit. 0 No hardware parity generation or checking. 1 Parity enabled.
0 PT	Parity Type Provided parity is enabled (PE = 1), this bit selects even or odd parity. Odd parity means the total number of 1s in the data character, including the parity bit, is odd. Even parity means the total number of 1s in the data character, including the parity bit, is even. 0 Even parity. 1 Odd parity.

37.3.4 LPUART Data Register (LPUARTx_DATA)

This register is actually two separate registers. Reads return the contents of the read-only receive data buffer and writes go to the write-only transmit data buffer. Reads and writes of this register are also involved in the automatic flag clearing mechanisms for some of the LPUART status flags.

Address: Base address + Ch offset



LPUARTx_DATA field descriptions

Field	Description
31–16 Reserved	This field is reserved. This read-only field is reserved and always has the value 0.
15 NOISY	The current received dataword contained in DATA[R9:R0] was received with noise. 0 The dataword was received without noise. 1 The data was received with noise.
14 PARITYE	The current received dataword contained in DATA[R9:R0] was received with a parity error.

Table continues on the next page...

LPUARTx_DATA field descriptions (continued)

Field	Description
	0 The dataword was received without a parity error. 1 The dataword was received with a parity error.
13 FRETSC	Frame Error / Transmit Special Character For reads, indicates the current received dataword contained in DATA[R9:R0] was received with a frame error. For writes, indicates a break or idle character is to be transmitted instead of the contents in DATA[T9:T0]. T9 is used to indicate a break character when 0 and a idle character when 1, he contents of DATA[T8:T0] should be zero. 0 The dataword was received without a frame error on read, transmit a normal character on write. 1 The dataword was received with a frame error, transmit an idle or break character on transmit.
12 RXEMPT	Receive Buffer Empty Asserts when there is no data in the receive buffer. This field does not take into account data that is in the receive shift register. 0 Receive buffer contains valid data. 1 Receive buffer is empty, data returned on read is not valid.
11 IDLIN	Idle Line Indicates the receiver line was idle before receiving the character in DATA[9:0]. Unlike the IDLE flag, this bit can set for the first character received when the receiver is first enabled. 0 Receiver was not idle before receiving this character. 1 Receiver was idle before receiving this character.
10 Reserved	This field is reserved. This read-only field is reserved and always has the value 0.
9 R9T9	Read receive data buffer 9 or write transmit data buffer 9.
8 R8T8	Read receive data buffer 8 or write transmit data buffer 8.
7 R7T7	Read receive data buffer 7 or write transmit data buffer 7.
6 R6T6	Read receive data buffer 6 or write transmit data buffer 6.
5 R5T5	Read receive data buffer 5 or write transmit data buffer 5.
4 R4T4	Read receive data buffer 4 or write transmit data buffer 4.
3 R3T3	Read receive data buffer 3 or write transmit data buffer 3.
2 R2T2	Read receive data buffer 2 or write transmit data buffer 2.
1 R1T1	Read receive data buffer 1 or write transmit data buffer 1.
0 R0T0	Read receive data buffer 0 or write transmit data buffer 0.

37.3.5 LPUART Match Address Register (LPUARTx_MATCH)

Address: Base address + 10h offset

Bit	31	30	29	28	27	26	25	24	23	22	21	20	19	18	17	16	15	14	13	12	11	10	9	8	7	6	5	4	3	2	1	0
R	0						MA2										0						MA1									
W	0						0										0						0									
Reset	0	0	0	0	0	0	0	0	0	0	0	0	0	0	0	0	0	0	0	0	0	0	0	0	0	0	0	0	0	0	0	0

LPUARTx_MATCH field descriptions

Field	Description
31–26 Reserved	This field is reserved. This read-only field is reserved and always has the value 0.
25–16 MA2	Match Address 2 The MA1 and MA2 registers are compared to input data addresses when the most significant bit is set and the associated BAUD[MAEN] bit is set. If a match occurs, the following data is transferred to the data register. If a match fails, the following data is discarded. Software should only write a MA register when the associated BAUD[MAEN] bit is clear.
15–10 Reserved	This field is reserved. This read-only field is reserved and always has the value 0.
MA1	Match Address 1 The MA1 and MA2 registers are compared to input data addresses when the most significant bit is set and the associated BAUD[MAEN] bit is set. If a match occurs, the following data is transferred to the data register. If a match fails, the following data is discarded. Software should only write a MA register when the associated BAUD[MAEN] bit is clear.

37.4 Functional description

The LPUART supports full-duplex, asynchronous, NRZ serial communication and comprises a baud rate generator, transmitter, and receiver block. The transmitter and receiver operate independently, although they use the same baud rate generator. The following describes each of the blocks of the LPUART.

37.4.1 Baud rate generation

A 13-bit modulus counter in the baud rate generator derive the baud rate for both the receiver and the transmitter. The value from 1 to 8191 written to SBR[12:0] determines the baud clock divisor for the asynchronous LPUART baud clock. The SBR bits are in the LPUART baud rate registers, BDH and BDL. The baud rate clock drives the receiver,

while the transmitter is driven by the baud rate clock divided by the over sampling ratio. Depending on the over sampling ratio, the receiver has an acquisition rate of 4 to 32 samples per bit time.

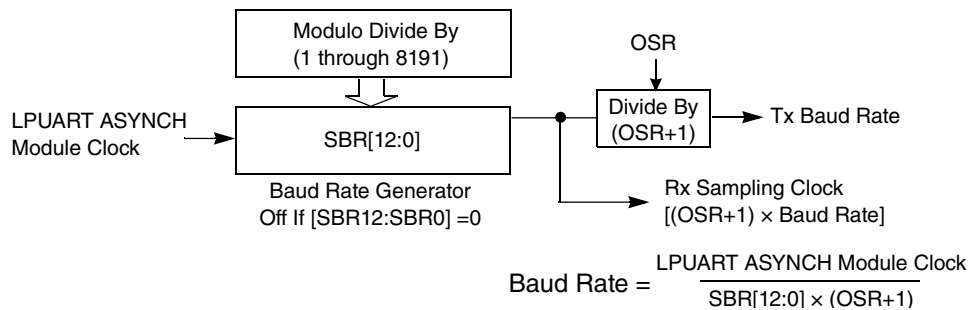


Figure 37-3. LPUART baud rate generation

Baud rate generation is subject to two sources of error:

- Integer division of the asynchronous LPUART baud clock may not give the exact target frequency.
- Synchronization with the asynchronous LPUART baud clock can cause phase shift.

37.4.2 Transmitter functional description

This section describes the overall block diagram for the LPUART transmitter, as well as specialized functions for sending break and idle characters.

The transmitter output (LPUART_TX) idle state defaults to logic high, CTRL[TXINV] is cleared following reset. The transmitter output is inverted by setting CTRL[TXINV]. The transmitter is enabled by setting the CTRL[TE] bit. This queues a preamble character that is one full character frame of the idle state. The transmitter then remains idle until data is available in the transmit data buffer. Programs store data into the transmit data buffer by writing to the LPUART data register.

The central element of the LPUART transmitter is the transmit shift register that is 10-bit to 13 bits long depending on the setting in the CTRL[M], BAUD[M10] and BAUD[SBNS] control bits. For the remainder of this section, assume CTRL[M], BAUD[M10] and BAUD[SBNS] are cleared, selecting the normal 8-bit data mode. In 8-bit data mode, the shift register holds a start bit, eight data bits, and a stop bit. When the transmit shift register is available for a new character, the value waiting in the transmit data register is transferred to the shift register, synchronized with the baud rate clock, and the transmit data register empty (STAT[TDRE]) status flag is set to indicate another character may be written to the transmit data buffer at LPUART_DATA.

If no new character is waiting in the transmit data buffer after a stop bit is shifted out the LPUART_TX pin, the transmitter sets the transmit complete flag and enters an idle mode, with LPUART_TX high, waiting for more characters to transmit.

Writing 0 to CTRL[TE] does not immediately disable the transmitter. The current transmit activity in progress must first be completed (that could include a data character, idle character or break character), although the transmitter will not start transmitting another character.

37.4.2.1 Send break and queued idle

The LPUART_CTRL[SBK] bit sends break characters originally used to gain the attention of old teletype receivers. Break characters are a full character time of logic 0, 10-bit to 12-bit times including the start and stop bits. A longer break of 13-bit times can be enabled by setting LPUART_STAT[BRK13]. Normally, a program would wait for LPUART_STAT[TDRE] to become set to indicate the last character of a message has moved to the transmit shifter, write 1, and then write 0 to the LPUART_CTRL[SBK] bit. This action queues a break character to be sent as soon as the shifter is available. If LPUART_CTRL[SBK] remains 1 when the queued break moves into the shifter, synchronized to the baud rate clock, an additional break character is queued. If the receiving device is another LPUART, the break characters are received as 0s in all data bits and a framing error (LPUART_STAT[FE] = 1) occurs.

A break character can also be transmitted by writing to the LPUART_DATA register with bit 13 set and the data bits clear. This supports transmitting the break character as part of the normal data stream and also allows the DMA to transmit a break character.

When idle-line wakeup is used, a full character time of idle (logic 1) is needed between messages to wake up any sleeping receivers. Normally, a program would wait for LPUART_STAT[TDRE] to become set to indicate the last character of a message has moved to the transmit shifter, then write 0 and then write 1 to the LPUART_CTRL[TE] bit. This action queues an idle character to be sent as soon as the shifter is available. As long as the character in the shifter does not finish while LPUART_CTRL[TE] is cleared, the LPUART transmitter never actually releases control of the LPUART_TX pin.

An idle character can also be transmitted by writing to the LPUART_DATA register with bit 13 set and the data bits also set. This supports transmitting the idle character as part of the normal data stream and also allows the DMA to transmit a break character.

The length of the break character is affected by the LPUART_STAT[BRK13], LPUART_CTRL[M], LPUART_BAUD[M10] and LPUART_BAUD[SNBS] bits as shown below.

Table 37-1. Break character length

BRK13	M	M10	SBNS	Break character length
0	0	0	0	10 bit times
0	0	0	1	11 bit times
0	1	0	0	11 bit times
0	1	0	1	12 bit times
0	X	1	0	12 bit times
0	X	1	1	13 bit times
1	0	0	0	13 bit times
1	0	0	1	13 bit times
1	1	0	0	14 bit times
1	1	0	1	14 bit times
1	X	1	0	15 bit times
1	X	1	1	15 bit times

37.4.3 Receiver functional description

In this section, the receiver block diagram is a guide for the overall receiver functional description. Next, the data sampling technique used to reconstruct receiver data is described in more detail. Finally, different variations of the receiver wakeup function are explained.

The receiver input is inverted by setting LPUART_STAT[RXINV]. The receiver is enabled by setting the LPUART_CTRL[RE] bit. Character frames consist of a start bit of logic 0, eight to ten data bits (msb or lsb first), and one or two stop bits of logic 1. For information about 9-bit or 10-bit data mode, refer to [8-bit, 9-bit and 10-bit data modes](#). For the remainder of this discussion, assume the LPUART is configured for normal 8-bit data mode.

After receiving the stop bit into the receive shifter, and provided the receive data register is not already full, the data character is transferred to the receive data register and the receive data register full (LPUART_STAT[RDRF]) status flag is set. If LPUART_STAT[RDRF] was already set indicating the receive data register (buffer) was already full, the overrun (OR) status flag is set and the new data is lost. Because the LPUART receiver is double-buffered, the program has one full character time after LPUART_STAT[RDRF] is set before the data in the receive data buffer must be read to avoid a receiver overrun.

When a program detects that the receive data register is full (LPUART_STAT[RDRF] = 1), it gets the data from the receive data register by reading LPUART_DATA. Refer to [Interrupts and status flags](#) for details about flag clearing.

37.4.3.1 Data sampling technique

The LPUART receiver supports a configurable oversampling rate of between $4\times$ and $32\times$ of the baud rate clock for sampling. The receiver starts by taking logic level samples at the oversampling rate times the baud rate to search for a falling edge on the LPUART_RX serial data input pin. A falling edge is defined as a logic 0 sample after three consecutive logic 1 samples. The oversampling baud rate clock divides the bit time into 4 to 32 segments from 1 to OSR (where OSR is the configured oversampling ratio). When a falling edge is located, three more samples are taken at $(OSR/2)$, $(OSR/2)+1$, and $(OSR/2)+2$ to make sure this was a real start bit and not merely noise. If at least two of these three samples are 0, the receiver assumes it is synchronized to a received character. If another falling edge is detected before the receiver is considered synchronized, the receiver restarts the sampling from the first segment.

The receiver then samples each bit time, including the start and stop bits, at $(OSR/2)$, $(OSR/2)+1$, and $(OSR/2)+2$ to determine the logic level for that bit. The logic level is interpreted to be that of the majority of the samples taken during the bit time. If any sample in any bit time, including the start and stop bits, in a character frame fails to agree with the logic level for that bit, the noise flag (LPUART_STAT[NF]) is set when the received character is transferred to the receive data buffer.

When the LPUART receiver is configured to sample on both edges of the baud rate clock, the number of segments in each received bit is effectively doubled (from 1 to $OSR\times 2$). The start and data bits are then sampled at OSR, OSR+1 and OSR+2. Sampling on both edges of the clock must be enabled for oversampling rates of $4\times$ to $7\times$ and is optional for higher oversampling rates.

The falling edge detection logic continuously looks for falling edges. If an edge is detected, the sample clock is resynchronized to bit times (unless resynchronization has been disabled). This improves the reliability of the receiver in the presence of noise or mismatched baud rates. It does not improve worst case analysis because some characters do not have any extra falling edges anywhere in the character frame.

In the case of a framing error, provided the received character was not a break character, the sampling logic that searches for a falling edge is filled with three logic 1 samples so that a new start bit can be detected almost immediately.

37.4.3.2 Receiver wakeup operation

Receiver wakeup and receiver address matching is a hardware mechanism that allows an LPUART receiver to ignore the characters in a message intended for a different receiver.

During receiver wakeup, all receivers evaluate the first character(s) of each message, and as soon as they determine the message is intended for a different receiver, they write logic 1 to the receiver wake up control bit (LPUART_CTRL[RWU]). When RWU bit and LPUART_S2[RWUID] bit are set, the status flags associated with the receiver, with the exception of the idle bit, IDLE, are inhibited from setting, thus eliminating the software overhead for handling the unimportant message characters. At the end of a message, or at the beginning of the next message, all receivers automatically force LPUART_CTRL[RWU] to 0 so all receivers wake up in time to look at the first character(s) of the next message.

During receiver address matching, the address matching is performed in hardware and the LPUART receiver will ignore all characters that do not meet the address match requirements.

Table 37-2. Receiver Wakeup Options

RWU	MA1 MA2	MATCFG	WAKE:RWUID	Receiver Wakeup
0	0	X	X	Normal operation
1	0	00	00	Receiver wakeup on idle line, IDLE flag not set
1	0	00	01	Receiver wakeup on idle line, IDLE flag set
1	0	00	10	Receiver wakeup on address mark
1	1	11	X0	Receiver wakeup on data match
0	1	00	X0	Address mark address match, IDLE flag not set for discarded characters
0	1	00	X1	Address mark address match, IDLE flag set for discarded characters
0	1	01	X0	Idle line address match
0	1	10	X0	Address match on and address match off, IDLE flag not set for discarded characters
0	1	10	X1	Address match on and address match off, IDLE flag set for discarded characters

37.4.3.2.1 Idle-line wakeup

When wake is cleared, the receiver is configured for idle-line wakeup. In this mode, LPUART_CTRL[RWU] is cleared automatically when the receiver detects a full character time of the idle-line level. The LPUART_CTRL[M] and LPUART_BAUD[M10] control bit selects 8-bit to 10-bit data mode and the LPUART_BAUD[SBNS] bit selects 1-bit or 2-bit stop bit number that determines how many bit times of idle are needed to constitute a full character time, 10 to 13 bit times because of the start and stop bits.

When LPUART_CTRL[RWU] is one and LPUART_STAT[RWUID] is zero, the idle condition that wakes up the receiver does not set the LPUART_STAT[IDLE] flag. The receiver wakes up and waits for the first data character of the next message that sets the LPUART_STAT[RDRF] flag and generates an interrupt if enabled. When LPUART_STAT[RWUID] is one, any idle condition sets the LPUART_STAT[IDLE] flag and generates an interrupt if enabled, regardless of whether LPUART_CTRL[RWU] is zero or one.

The idle-line type (LPUART_CTRL[ILT]) control bit selects one of two ways to detect an idle line. When LPUART_CTRL[ILT] is cleared, the idle bit counter starts after the start bit so the stop bit and any logic 1s at the end of a character count toward the full character time of idle. When LPUART_CTRL[ILT] is set, the idle bit counter does not start until after the stop bit time, so the idle detection is not affected by the data in the last character of the previous message.

37.4.3.2.2 Address-mark wakeup

When LPUART_CTRL[WAKE] is set, the receiver is configured for address-mark wakeup. In this mode, LPUART_CTRL[RWU] is cleared automatically when the receiver detects a logic 1 in the most significant bit of a received character.

Address-mark wakeup allows messages to contain idle characters, but requires the MSB be reserved for use in address frames. The logic 1 in the MSB of an address frame clears the LPUART_CTRL[RWU] bit before the stop bits are received and sets the LPUART_STAT[RDRF] flag. In this case, the character with the MSB set is received even though the receiver was sleeping during most of this character time.

37.4.3.2.3 Data match wakeup

When LPUART_CTRL[RWU] is set and LPUART_BAUD[MATCFG] equals 11, the receiver is configured for data match wakeup. In this mode, LPUART_CTRL[RWU] is cleared automatically when the receiver detects a character that matches MATCH[MA1] field when BAUD[MAEN1] is set, or that matches MATCH[MA2] when BAUD[MAEN2] is set.

37.4.3.2.4 Address Match operation

Address match operation is enabled when the LPUART_BAUD[MAEN1] or LPUART_BAUD[MAEN2] bit is set and LPUART_BAUD[MATCFG] is equal to 00. In this function, a character received by the LPUART_RX pin with a logic 1 in the bit position immediately preceding the stop bit is considered an address and is compared with the associated MATCH[MA1] or MATCH[MA2] field. The character is only transferred to the receive buffer, and LPUART_STAT[RDRF] is set, if the comparison matches. All subsequent characters received with a logic 0 in the bit position immediately preceding the stop bit are considered to be data associated with the address and are transferred to the receive data buffer. If no marked address match occurs then no transfer is made to the receive data buffer, and all following characters with logic zero in the bit position immediately preceding the stop bit are also discarded. If both the LPUART_BAUD[MAEN1] and LPUART_BAUD[MAEN2] bits are negated, the receiver operates normally and all data received is transferred to the receive data buffer.

Address match operation functions in the same way for both MATCH[MA1] and MATCH[MA2] fields.

- If only one of LPUART_BAUD[MAEN1] and LPUART_BAUD[MAEN2] is asserted, a marked address is compared only with the associated match register and data is transferred to the receive data buffer only on a match.
- If LPUART_BAUD[MAEN1] and LPUART_BAUD[MAEN2] are asserted, a marked address is compared with both match registers and data is transferred only on a match with either register.

37.4.3.2.5 Idle Match operation

Idle match operation is enabled when the LPUART_BAUD[MAEN1] or LPUART_BAUD[MAEN2] bit is set and LPUART_BAUD[MATCFG] is equal to 01. In this function, the first character received by the LPUART_RX pin after an idle line condition is considered an address and is compared with the associated MA1 or MA2 register. The character is only transferred to the receive buffer, and LPUART_STAT[RDRF] is set, if the comparison matches. All subsequent characters are

considered to be data associated with the address and are transferred to the receive data buffer until the next idle line condition is detected. If no address match occurs then no transfer is made to the receive data buffer, and all following frames until the next idle condition are also discarded. If both the LPUART_BAUD[MAEN1] and LPUART_BAUD[MAEN2] bits are negated, the receiver operates normally and all data received is transferred to the receive data buffer.

Idle match operation functions in the same way for both MA1 and MA2 registers.

- If only one of LPUART_BAUD[MAEN1] and LPUART_BAUD[MAEN2] is asserted, the first character after an idle line is compared only with the associated match register and data is transferred to the receive data buffer only on a match.
- If LPUART_BAUD[MAEN1] and LPUART_BAUD[MAEN2] are asserted, the first character after an idle line is compared with both match registers and data is transferred only on a match with either register.

37.4.3.2.6 Match On Match Off operation

Match on, match off operation is enabled when both LPUART_BAUD[MAEN1] and LPUART_BAUD[MAEN2] are set and LPUART_BAUD[MATCFG] is equal to 10. In this function, a character received by the LPUART_RX pin that matches MATCH[MA1] is received and transferred to the receive buffer, and LPUART_STAT[RDRF] is set. All subsequent characters are considered to be data and are also transferred to the receive data buffer, until a character is received that matches MATCH[MA2] register. The character that matches MATCH[MA2] and all following characters are discarded, this continues until another character that matches MATCH[MA1] is received. If both the LPUART_BAUD[MAEN1] and LPUART_BAUD[MAEN2] bits are negated, the receiver operates normally and all data received is transferred to the receive data buffer.

NOTE

Match on, match off operation requires both LPUART_BAUD[MAEN1] and LPUART_BAUD[MAEN2] to be asserted.

37.4.4 Additional LPUART functions

The following sections describe additional LPUART functions.

37.4.4.1 8-bit, 9-bit and 10-bit data modes

The LPUART transmitter and receiver can be configured to operate in 9-bit data mode by setting the LPUART_CTRL[M] or 10-bit data mode by setting LPUART_CTRL[M10]. In 9-bit mode, there is a ninth data bit in 10-bit mode there is a tenth data bit. For the transmit data buffer, these bits are stored in LPUART_CTRL[T8] and LPUART_CTRL[T9]. For the receiver, these bits are held in LPUART_CTRL[R8] and LPUART_CTRL[R9]. They are also accessible via 16-bit or 32-bit accesses to the LPUART_DATA register.

For coherent 8-bit writes to the transmit data buffer, write to LPUART_CTRL[T8] and LPUART_CTRL[T9] before writing to LPUART_DATA[7:0]. For 16-bit and 32-bit writes to the LPUART_DATA register all 10 transmit bits are written to the transmit data buffer at the same time.

If the bit values to be transmitted as the ninth and tenth bit of a new character are the same as for the previous character, it is not necessary to write to LPUART_CTRL[T8] and LPUART_CTRL[T9] again. When data is transferred from the transmit data buffer to the transmit shifter, the value in LPUART_CTRL[T8] and LPUART_CTRL[T9] is copied at the same time data is transferred from LPUART_DATA[7:0] to the shifter.

The 9-bit data mode is typically used with parity to allow eight bits of data plus the parity in the ninth bit, or it is used with address-mark wakeup so the ninth data bit can serve as the wakeup bit. The 10-bit data mode is typically used with parity and address-mark wakeup so the ninth data bit can serve as the wakeup bit and the tenth bit as the parity bit. In custom protocols, the ninth and/or tenth bits can also serve as software-controlled markers.

37.4.4.2 Idle length

An idle character is a character where the start bit, all data bits and stop bits are in the mark position. The CTRL[ILT] register can be configured to start detecting an idle character from the previous start bit (any data bits and stop bits count towards the idle character detection) or from the previous stop bit.

The number of idle characters that must be received before an idle line condition is detected can also be configured using the CTRL[IDLECFG] field. This field configures the number of idle characters that must be received before the STAT[IDLE] flag is set, the STAT[RAF] flag is cleared and the DATA[IDLINE] flag is set with the next received character.

Idle-line wakeup and idle match operation are also affected by the CTRL[IDLECFG] field. When address match or match on/off operation is enabled, setting the STAT[RWUID] bit will cause any discarded characters to be treated as if they were idle characters.

37.4.4.3 Loop mode

When LPUART_CTRL[LOOPS] is set, the LPUART_CTRL[RSRC] bit in the same register chooses between loop mode (LPUART_CTRL[RSRC] = 0) or single-wire mode (LPUART_CTRL[RSRC] = 1). Loop mode is sometimes used to check software, independent of connections in the external system, to help isolate system problems. In this mode, the transmitter output is internally connected to the receiver input and the LPUART_RX pin is not used by the LPUART.

37.4.4.4 Single-wire operation

When LPUART_CTRL[LOOPS] is set, the RSRC bit in the same register chooses between loop mode (LPUART_CTRL[RSRC] = 0) or single-wire mode (LPUART_CTRL[RSRC] = 1). Single-wire mode implements a half-duplex serial connection. The receiver is internally connected to the transmitter output and to the LPUART_TX pin (the LPUART_RX pin is not used).

In single-wire mode, the LPUART_CTRL[TXDIR] bit controls the direction of serial data on the LPUART_TX pin. When LPUART_CTRL[TXDIR] is cleared, the LPUART_TX pin is an input to the receiver and the transmitter is temporarily disconnected from the LPUART_TX pin so an external device can send serial data to the receiver. When LPUART_CTRL[TXDIR] is set, the LPUART_TX pin is an output driven by the transmitter, the internal loop back connection is disabled, and as a result the receiver cannot receive characters that are sent out by the transmitter.

37.4.5 Interrupts and status flags

The LPUART transmitter has two status flags that can optionally generate hardware interrupt requests. Transmit data register empty LPUART_STAT[TDRE]) indicates when there is room in the transmit data buffer to write another transmit character to LPUART_DATA. If the transmit interrupt enable LPUART_CTRL[TIE]) bit is set, a hardware interrupt is requested when LPUART_STAT[TDRE] is set. Transmit complete (LPUART_STAT[TC]) indicates that the transmitter is finished transmitting all data, preamble, and break characters and is idle with LPUART_TX at the inactive level. This

Functional description

flag is often used in systems with modems to determine when it is safe to turn off the modem. If the transmit complete interrupt enable (LPUART_CTRL[TCIE]) bit is set, a hardware interrupt is requested when LPUART_STAT[TC] is set. Instead of hardware interrupts, software polling may be used to monitor the LPUART_STAT[TDRE] and LPUART_STAT[TC] status flags if the corresponding LPUART_CTRL[TIE] or LPUART_CTRL[TCIE] local interrupt masks are cleared.

When a program detects that the receive data register is full (LPUART_STAT[RDRF] = 1), it gets the data from the receive data register by reading LPUART_DATA. The LPUART_STAT[RDRF] flag is cleared by reading LPUART_DATA.

The IDLE status flag includes logic that prevents it from getting set repeatedly when the LPUART_RX line remains idle for an extended period of time. IDLE is cleared by writing 1 to the LPUART_STAT[IDLE] flag. After LPUART_STAT[IDLE] has been cleared, it cannot become set again until the receiver has received at least one new character and has set LPUART_STAT[RDRF].

If the associated error was detected in the received character that caused LPUART_STAT[RDRF] to be set, the error flags - noise flag (LPUART_STAT[NF]), framing error (LPUART_STAT[FE]), and parity error flag (LPUART_STAT[PF]) - are set at the same time as LPUART_STAT[RDRF]. These flags are not set in overrun cases.

If LPUART_STAT[RDRF] was already set when a new character is ready to be transferred from the receive shifter to the receive data buffer, the overrun (LPUART_STAT[OR]) flag is set instead of the data along with any associated NF, FE, or PF condition is lost.

If the received character matches the contents of MATCH[MA1] and/or MATCH[MA2] then the LPUART_STAT[MA1F] and/or LPUART_STAT[MA2F] flags are set at the same time that LPUART_STAT[RDRF] is set.

At any time, an active edge on the LPUART_RX serial data input pin causes the LPUART_STAT[RXEDGIF] flag to set. The LPUART_STAT[RXEDGIF] flag is cleared by writing a 1 to it. This function depends on the receiver being enabled (LPUART_CTRL[RE] = 1).

Chapter 38

Universal Asynchronous Receiver/ Transmitter(UART)

38.1 Chip-specific UART information

38.1.1 UART2 Overview

This device contains a basic universal asynchronous receiver/transmitter (UART) modules with DMA function support. Generally, these modules are used in RS-232, RS-485, and other communications. This module supports LIN Slave operation.

38.2 Introduction

The UART allows asynchronous serial communication with peripheral devices and CPUs.

38.2.1 Features

The UART includes the following features:

- Full-duplex operation
- Standard mark/space non-return-to-zero (NRZ) format
- 13-bit baud rate selection with /32 fractional divide, based on the module clock frequency
- Programmable 8-bit or 9-bit data format
- Separately enabled transmitter and receiver

- Programmable transmitter output polarity
- Programmable receive input polarity
- Up to 14-bit break character transmission.
- 11-bit break character detection option
- Two receiver wakeup methods:
 - Idle line wakeup
 - Address mark wakeup
- Address match feature in the receiver to reduce address mark wakeup ISR overhead
- Ability to select MSB or LSB to be first bit on wire
- Support for ISO 7816 protocol to interface with SIM cards and smart cards
 - Support for T=0 and T=1 protocols
 - Automatic retransmission of NACK'd packets with programmable retry threshold
 - Support for 11 and 12 ETU transfers
 - Detection of initial packet and automated transfer parameter programming
 - Interrupt-driven operation with seven ISO-7816 specific interrupts:
 - Wait time violated
 - Character wait time violated
 - Block wait time violated
 - Initial frame detected
 - Transmit error threshold exceeded
 - Receive error threshold exceeded
 - Guard time violated
- Interrupt-driven operation with flags, not specific to ISO-7816 support
 - Transmitter data buffer at or below watermark
 - Transmission complete
 - Receiver data buffer at or above watermark

- Idle receiver input
- Receiver data buffer overrun
- Noise error
- Framing error
- Parity error
- Active edge on receive pin
- Receiver framing error detection
- Hardware parity generation and checking
- 1/16 bit-time noise detection
- DMA interface

38.2.2 Modes of operation

The UART functions in the same way in all the normal modes.

It has the following low power mode:

- Stop mode

38.2.2.1 Run mode

This is the normal mode of operation.

38.2.2.2 Stop mode

The UART is inactive during Stop mode for reduced power consumption. The STOP instruction does not affect the UART register states, but the UART module clock is disabled. The UART operation resumes after an external interrupt brings the CPU out of Stop mode. Bringing the CPU out of Stop mode by reset aborts any ongoing transmission or reception and resets the UART. Entering or leaving Stop mode does not initiate any power down or power up procedures for the ISO-7816 smartcard interface.

38.3 UART signal descriptions

The UART signals are shown in the following table.

Table 38-1. UART signal descriptions

Signal	Description	I/O
RXD	Receive data	I
TXD	Transmit data	O

38.3.1 Detailed signal descriptions

The detailed signal descriptions of the UART are shown in the following table.

Table 38-2. UART—Detailed signal descriptions

Signal	I/O	Description	
RXD	I	Receive data. Serial data input to receiver.	
		State meaning	Whether RXD is interpreted as a 1 or 0 depends on the bit encoding method along with other configuration settings.
		Timing	Sampled at a frequency determined by the module clock divided by the baud rate.
TXD	O	Transmit data. Serial data output from transmitter.	
		State meaning	Whether TXD is interpreted as a 1 or 0 depends on the bit encoding method along with other configuration settings.
		Timing	Driven at the beginning or within a bit time according to the bit encoding method along with other configuration settings. Otherwise, transmissions are independent of reception timing.

38.4 Memory map and registers

This section provides a detailed description of all memory and registers.

Only byte accesses are supported.

UART memory map

Absolute address (hex)	Register name	Width (in bits)	Access	Reset value	Section/page
4006_C000	UART Baud Rate Registers: High (UART2_BDH)	8	R/W	00h	38.4.1/696

Table continues on the next page...

UART memory map (continued)

Absolute address (hex)	Register name	Width (in bits)	Access	Reset value	Section/page
4006_C001	UART Baud Rate Registers: Low (UART2_BDL)	8	R/W	04h	38.4.2/697
4006_C002	UART Control Register 1 (UART2_C1)	8	R/W	00h	38.4.3/697
4006_C003	UART Control Register 2 (UART2_C2)	8	R/W	00h	38.4.4/699
4006_C004	UART Status Register 1 (UART2_S1)	8	R	C0h	38.4.5/701
4006_C005	UART Status Register 2 (UART2_S2)	8	R/W	00h	38.4.6/703
4006_C006	UART Control Register 3 (UART2_C3)	8	R/W	00h	38.4.7/705
4006_C007	UART Data Register (UART2_D)	8	R/W	00h	38.4.8/706
4006_C008	UART Match Address Registers 1 (UART2_MA1)	8	R/W	00h	38.4.9/707
4006_C009	UART Match Address Registers 2 (UART2_MA2)	8	R/W	00h	38.4.10/708
4006_C00A	UART Control Register 4 (UART2_C4)	8	R/W	00h	38.4.11/708
4006_C00B	UART Control Register 5 (UART2_C5)	8	R/W	00h	38.4.12/709
4006_C018	UART 7816 Control Register (UART2_C7816)	8	R/W	00h	38.4.13/710
4006_C019	UART 7816 Interrupt Enable Register (UART2_IE7816)	8	R/W	00h	38.4.14/711
4006_C01A	UART 7816 Interrupt Status Register (UART2_IS7816)	8	R/W	00h	38.4.15/713
4006_C01B	UART 7816 Wait Parameter Register (UART2_WP7816)	8	R/W	00h	38.4.16/715
4006_C01C	UART 7816 Wait N Register (UART2_WN7816)	8	R/W	00h	38.4.17/715
4006_C01D	UART 7816 Wait FD Register (UART2_WF7816)	8	R/W	01h	38.4.18/716
4006_C01E	UART 7816 Error Threshold Register (UART2_ET7816)	8	R/W	00h	38.4.19/716
4006_C01F	UART 7816 Transmit Length Register (UART2_TL7816)	8	R/W	00h	38.4.20/717
4006_C03A	UART 7816 ATR Duration Timer Register A (UART2_AP7816A_T0)	8	R/W	00h	38.4.21/717
4006_C03B	UART 7816 ATR Duration Timer Register B (UART2_AP7816B_T0)	8	R/W	00h	38.4.22/718
4006_C03C	UART 7816 Wait Parameter Register A (UART2_WP7816A_T0)	8	R/W	00h	38.4.23/719
4006_C03C	UART 7816 Wait Parameter Register A (UART2_WP7816A_T1)	8	R/W	00h	38.4.24/719
4006_C03D	UART 7816 Wait Parameter Register B (UART2_WP7816B_T0)	8	R/W	14h	38.4.25/720
4006_C03D	UART 7816 Wait Parameter Register B (UART2_WP7816B_T1)	8	R/W	14h	38.4.26/720

Table continues on the next page...

UART memory map (continued)

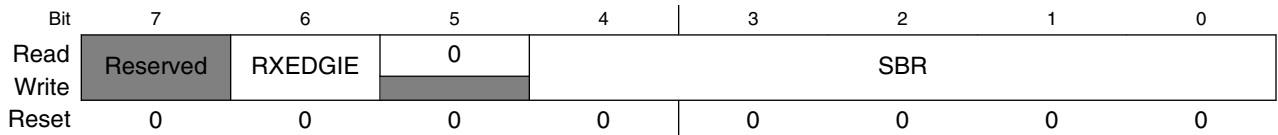
Absolute address (hex)	Register name	Width (in bits)	Access	Reset value	Section/page
4006_C03E	UART 7816 Wait and Guard Parameter Register (UART2_WGP7816_T1)	8	R/W	06h	38.4.27/ 721
4006_C03F	UART 7816 Wait Parameter Register C (UART2_WP7816C_T1)	8	R/W	0Bh	38.4.28/ 721

38.4.1 UART Baud Rate Registers: High (UARTx_BDH)

This register, along with the BDL register, controls the prescale divisor for UART baud rate generation. To update the 13-bit baud rate setting (SBR[12:0]), first write to BDH to buffer the high half of the new value and then write to BDL. The working value in BDH does not change until BDL is written.

BDL is reset to a nonzero value, but after reset, the baud rate generator remains disabled until the first time the receiver or transmitter is enabled, that is, when C2[RE] or C2[TE] is set.

Address: 4006_C000h base + 0h offset = 4006_C000h



UARTx_BDH field descriptions

Field	Description
7 Reserved	Reserved. This field is reserved.
6 RXEDGIE	RxD Input Active Edge Interrupt Enable Enables the receive input active edge, RXEDGIF, to generate interrupt requests. 0 Hardware interrupts from RXEDGIF disabled using polling. 1 RXEDGIF interrupt request enabled.
5 Reserved	This field is reserved. This read-only field is reserved and always has the value 0.
SBR	UART Baud Rate Bits The baud rate for the UART is determined by the 13 SBR fields. See Baud rate generation for details. NOTE: <ul style="list-style-type: none"> The baud rate generator is disabled until C2[TE] or C2[RE] is set for the first time after reset. The baud rate generator is disabled when SBR = 0. Writing to BDH has no effect without writing to BDL, because writing to BDH puts the data in a temporary location until BDL is written.

38.4.2 UART Baud Rate Registers: Low (UARTx_BDL)

This register, along with the BDH register, controls the prescale divisor for UART baud rate generation. To update the 13-bit baud rate setting, SBR[12:0], first write to BDH to buffer the high half of the new value and then write to BDL. The working value in BDH does not change until BDL is written. BDL is reset to a nonzero value, but after reset, the baud rate generator remains disabled until the first time the receiver or transmitter is enabled, that is, when C2[RE] or C2[TE] is set.

Address: 4006_C000h base + 1h offset = 4006_C001h

Bit	7	6	5	4	3	2	1	0
Read	SBR							
Write	SBR							
Reset	0	0	0	0	0	1	0	0

UARTx_BDL field descriptions

Field	Description
SBR	<p>UART Baud Rate Bits</p> <p>The baud rate for the UART is determined by the 13 SBR fields. See Baud rate generation for details.</p> <p>NOTE:</p> <ul style="list-style-type: none"> The baud rate generator is disabled until C2[TE] or C2[RE] is set for the first time after reset. The baud rate generator is disabled when SBR = 0. Writing to BDH has no effect without writing to BDL, because writing to BDH puts the data in a temporary location until BDL is written.

38.4.3 UART Control Register 1 (UARTx_C1)

This read/write register controls various optional features of the UART system.

Address: 4006_C000h base + 2h offset = 4006_C002h

Bit	7	6	5	4	3	2	1	0
Read	LOOPS	Reserved	RSRC	M	WAKE	ILT	PE	PT
Write	LOOPS	Reserved	RSRC	M	WAKE	ILT	PE	PT
Reset	0	0	0	0	0	0	0	0

UARTx_C1 field descriptions

Field	Description
7 LOOPS	<p>Loop Mode Select</p> <p>When LOOPS is set, the RxD pin is disconnected from the UART and the transmitter output is internally connected to the receiver input. The transmitter and the receiver must be enabled to use the loop function.</p>

Table continues on the next page...

UARTx_C1 field descriptions (continued)

Field	Description
	0 Normal operation. 1 Loop mode where transmitter output is internally connected to receiver input. The receiver input is determined by RSRC.
6 Reserved	Reserved. This field is reserved.
5 RSRC	Receiver Source Select This field has no meaning or effect unless the LOOPS field is set. When LOOPS is set, the RSRC field determines the source for the receiver shift register input. 0 Selects internal loop back mode. The receiver input is internally connected to transmitter output. 1 Single wire UART mode where the receiver input is connected to the transmit pin input signal.
4 M	9-bit or 8-bit Mode Select This field must be set when C7816[ISO_7816E] is set/enabled. 0 Normal—start + 8 data bits (MSB/LSB first as determined by MSBF) + stop. 1 Use—start + 9 data bits (MSB/LSB first as determined by MSBF) + stop.
3 WAKE	Receiver Wakeup Method Select Determines which condition wakes the UART: <ul style="list-style-type: none"> • Address mark in the most significant bit position of a received data character, or • An idle condition on the receive pin input signal. 0 Idle line wakeup. 1 Address mark wakeup.
2 ILT	Idle Line Type Select Determines when the receiver starts counting logic 1s as idle character bits. The count begins either after a valid start bit or after the stop bit. If the count begins after the start bit, then a string of logic 1s preceding the stop bit can cause false recognition of an idle character. Beginning the count after the stop bit avoids false idle character recognition, but requires properly synchronized transmissions. NOTE: <ul style="list-style-type: none"> • In case the UART is programmed with ILT = 1, a logic of 1'b0 is automatically shifted after a received stop bit, therefore resetting the idle count. • In case the UART is programmed for IDLE line wakeup (RWU = 1 and WAKE = 0), ILT has no effect on when the receiver starts counting logic 1s as idle character bits. In idle line wakeup, an idle character is recognized at anytime the receiver sees 10, 11, or 12 1s depending on the M, PE, and C4[M10] fields. 0 Idle character bit count starts after start bit. 1 Idle character bit count starts after stop bit.
1 PE	Parity Enable Enables the parity function. When parity is enabled, parity function inserts a parity bit in the bit position immediately preceding the stop bit. This field must be set when C7816[ISO_7816E] is set/enabled. 0 Parity function disabled. 1 Parity function enabled.
0 PT	Parity Type

Table continues on the next page...

UARTx_C1 field descriptions (continued)

Field	Description
	Determines whether the UART generates and checks for even parity or odd parity. With even parity, an even number of 1s clears the parity bit and an odd number of 1s sets the parity bit. With odd parity, an odd number of 1s clears the parity bit and an even number of 1s sets the parity bit. This field must be cleared when C7816[ISO_7816E] is set/enabled.
0	Even parity.
1	Odd parity.

38.4.4 UART Control Register 2 (UARTx_C2)

This register can be read or written at any time.

Address: 4006_C000h base + 3h offset = 4006_C003h

Bit	7	6	5	4	3	2	1	0
Read	TIE	TCIE	RIE	ILIE	TE	RE	RWU	SBK
Write								
Reset	0	0	0	0	0	0	0	0

UARTx_C2 field descriptions

Field	Description
7 TIE	Transmitter Interrupt or DMA Transfer Enable. Enables S1[TDRE] to generate interrupt requests or DMA transfer requests, based on the state of C5[TDMAS]. NOTE: If C2[TIE] and C5[TDMAS] are both set, then TCIE must be cleared, and D[D] must not be written unless servicing a DMA request. 0 TDRE interrupt and DMA transfer requests disabled. 1 TDRE interrupt or DMA transfer requests enabled.
6 TCIE	Transmission Complete Interrupt Enable Enables the transmission complete flag, S1[TC], to generate interrupt requests . 0 TC interrupt requests disabled. 1 TC interrupt requests enabled.
5 RIE	Receiver Full Interrupt or DMA Transfer Enable Enables S1[RDRF] to generate interrupt requests or DMA transfer requests, based on the state of C5[RDMAS]. 0 RDRF interrupt and DMA transfer requests disabled. 1 RDRF interrupt or DMA transfer requests enabled.
4 ILIE	Idle Line Interrupt Enable Enables the idle line flag, S1[IDLE], to generate interrupt requests

Table continues on the next page...

UARTx_C2 field descriptions (continued)

Field	Description
	0 IDLE interrupt requests disabled. 1 IDLE interrupt requests enabled.
3 TE	Transmitter Enable Enables the UART transmitter. TE can be used to queue an idle preamble by clearing and then setting TE. When C7816[ISO_7816E] is set/enabled and C7816[TTYTYPE] = 1, this field is automatically cleared after the requested block has been transmitted. This condition is detected when TL7816[TLEN] = 0 and four additional characters are transmitted. 0 Transmitter off. 1 Transmitter on.
2 RE	Receiver Enable Enables the UART receiver. 0 Receiver off. 1 Receiver on.
1 RWU	Receiver Wakeup Control This field can be set to place the UART receiver in a standby state. RWU automatically clears when an RWU event occurs, that is, an IDLE event when C1[WAKE] is clear or an address match when C1[WAKE] is set. This field must be cleared when C7816[ISO_7816E] is set. NOTE: RWU must be set only with C1[WAKE] = 0 (wakeup on idle) if the channel is currently not idle. This can be determined by S2[RAF]. If the flag is set to wake up an IDLE event and the channel is already idle, it is possible that the UART will discard data. This is because the data must be received after an IDLE is detected before IDLE is allowed to reasserted. 0 Normal operation. 1 RWU enables the wakeup function and inhibits further receiver interrupt requests. Normally, hardware wakes the receiver by automatically clearing RWU.
0 SBK	Send Break Toggling SBK sends one break character from the following: See Transmitting break characters for the number of logic 0s for the different configurations. Toggling implies clearing the SBK field before the break character has finished transmitting. As long as SBK is set, the transmitter continues to send complete break characters (10, 11, or 12 bits, or 13 or 14 bits). Ensure that C2[TE] is asserted at least 1 clock before assertion of this bit. <ul style="list-style-type: none"> • 10, 11, or 12 logic 0s if S2[BRK13] is cleared • 13 or 14 logic 0s if S2[BRK13] is set. This field must be cleared when C7816[ISO_7816E] is set. 0 Normal transmitter operation. 1 Queue break characters to be sent.

38.4.5 UART Status Register 1 (UARTx_S1)

The S1 register provides inputs to the MCU for generation of UART interrupts or DMA requests. This register can also be polled by the MCU to check the status of its fields. To clear a flag, the status register should be read followed by a read or write to D register, depending on the interrupt flag type. Other instructions can be executed between the two steps as long the handling of I/O is not compromised, but the order of operations is important for flag clearing. When a flag is configured to trigger a DMA request, assertion of the associated DMA done signal from the DMA controller clears the flag.

NOTE

- If the condition that results in the assertion of the flag, interrupt, or DMA request is not resolved prior to clearing the flag, the flag, and interrupt/DMA request, reasserts.

Address: 4006_C000h base + 4h offset = 4006_C004h

Bit	7	6	5	4	3	2	1	0
Read	TDRE	TC	RDRF	IDLE	OR	NF	FE	PF
Write								
Reset	1	1	0	0	0	0	0	0

UARTx_S1 field descriptions

Field	Description
7 TDRE	<p>Transmit Data Register Empty Flag</p> <p>TDRE will set when the transmit data register (D) is empty. To clear TDRE, read S1 when TDRE is set and then write to the UART data register (D).</p> <p>0 Transmit data buffer is full. 1 Transmit data buffer is empty.</p>
6 TC	<p>Transmit Complete Flag</p> <p>TC is set when the transmit buffer is empty and no data, preamble, or break character is being transmitted. When TC is set, the transmit data output signal becomes idle (logic 1). TC is cleared by reading S1 with TC set and then doing one of the following: When C7816[ISO_7816E] is set/enabled, this field is set after any NACK signal has been received, but prior to any corresponding guard times expiring.</p> <ul style="list-style-type: none"> • Writing to D to transmit new data. • Queuing a preamble by clearing and then setting C2[TE]. • Queuing a break character by writing 1 to SBK in C2. <p>0 Transmitter active (sending data, a preamble, or a break). 1 Transmitter idle (transmission activity complete).</p>
5 RDRF	<p>Receive Data Register Full Flag</p> <p>RDRF is set when the receive buffer (D) is full. To clear RDRF, read S1 when RDRF is set and then read D.</p>

Table continues on the next page...

UARTx_S1 field descriptions (continued)

Field	Description
	0 Receive data buffer is empty. 1 Receive data buffer is full.
4 IDLE	<p>Idle Line Flag</p> <p>After the IDLE flag is cleared, a frame must be received (although not necessarily stored in the data buffer, for example if C2[RWU] is set). To clear IDLE, read UART status S1 with IDLE set and then read D. IDLE is set when either of the following appear on the receiver input:</p> <ul style="list-style-type: none"> • 10 consecutive logic 1s if C1[M] = 0 • 11 consecutive logic 1s if C1[M] = 1 and C4[M10] = 0 • 12 consecutive logic 1s if C1[M] = 1, C4[M10] = 1, and C1[PE] = 1 <p>Idle detection is not supported when 7816E is set/enabled and hence this flag is ignored.</p> <p>NOTE: When RWU is set and WAKE is cleared, an idle line condition sets the IDLE flag if RWUID is set, else the IDLE flag does not become set.</p> <p>0 Receiver input is either active now or has never become active since the IDLE flag was last cleared. 1 Receiver input has become idle or the flag has not been cleared since it last asserted.</p>
3 OR	<p>Receiver Overrun Flag</p> <p>OR is set when software fails to prevent the receive data register from overflowing with data. The OR bit is set immediately after the stop bit has been completely received for the dataword that overflows the buffer and all the other error flags (FE, NF, and PF) are prevented from setting. The data in the shift register is lost, but the data already in the UART data registers is not affected. If the OR flag is set, no data is stored in the data buffer even if sufficient room exists. Additionally, while the OR flag is set, the RDRF and IDLE flags are blocked from asserting, that is, transition from an inactive to an active state. To clear OR, read S1 when OR is set and then read D. See functional description for more details regarding the operation of the OR bit. In 7816 mode, it is possible to configure a NACK to be returned by programming C7816[ONACK].</p> <p>0 No overrun has occurred since the last time the flag was cleared. 1 Overrun has occurred or the overrun flag has not been cleared since the last overrun occurred.</p>
2 NF	<p>Noise Flag</p> <p>NF is set when the UART detects noise on the receiver input. NF does not become set in the case of an overrun. To clear NF, read S1 and then read D.</p> <p>0 No noise detected. 1 Noise detected in the received character in D.</p>
1 FE	<p>Framing Error Flag</p> <p>FE is set when a logic 0 is accepted as the stop bit. FE does not set in the case of an overrun. FE inhibits further data reception until it is cleared. To clear FE, read S1 with FE set and then read D. The last data in the receive buffer represents the data that was received with the frame error enabled. Framing errors are not supported when 7816E is set/enabled. However, if this flag is set, data is still not received in 7816 mode.</p> <p>0 No framing error detected. 1 Framing error.</p>
0 PF	<p>Parity Error Flag</p> <p>PF is set when PE is set and the parity of the received data does not match its parity bit. The PF is not set in the case of an overrun condition. To clear PF, read S1 and then read D.</p>

Table continues on the next page...

UARTx_S1 field descriptions (continued)

Field	Description
0	No parity error detected.
1	Parity error.

38.4.6 UART Status Register 2 (UARTx_S2)

The S2 register provides inputs to the MCU for generation of UART interrupts or DMA requests. Also, this register can be polled by the MCU to check the status of these bits. This register can be read or written at any time, with the exception of the MSBF and RXINV bits, which should be changed by the user only between transmit and receive packets.

Address: 4006_C000h base + 5h offset = 4006_C005h

Bit	7	6	5	4	3	2	1	0
Read	0	RXEDGIF	MSBF	RXINV	RWUID	BRK13	Reserved	RAF
Write		w1c						
Reset	0	0	0	0	0	0	0	0

UARTx_S2 field descriptions

Field	Description
7 Reserved	This field is reserved. This read-only field is reserved and always has the value 0.
6 RXEDGIF	RxD Pin Active Edge Interrupt Flag RXEDGIF is set when an active edge occurs on the RxD pin. The active edge is falling if RXINV = 0, and rising if RXINV=1. RXEDGIF is cleared by writing a 1 to it. See for additional details. RXEDGIF description NOTE: The active edge is detected only in two wire mode and on receiving data coming from the RxD pin. 0 No active edge on the receive pin has occurred. 1 An active edge on the receive pin has occurred.
5 MSBF	Most Significant Bit First Setting this field reverses the order of the bits that are transmitted and received on the wire. This field does not affect the polarity of the bits, the location of the parity bit, or the location of the start or stop bits. This field is automatically set when C7816[INIT] and C7816[ISO7816E] are enabled and an initial character is detected in T = 0 protocol mode. 0 LSB (bit0) is the first bit that is transmitted following the start bit. Further, the first bit received after the start bit is identified as bit0. 1 MSB (bit8, bit7 or bit6) is the first bit that is transmitted following the start bit, depending on the setting of C1[M] and C1[PE]. Further, the first bit received after the start bit is identified as bit8, bit7, or bit6, depending on the setting of C1[M] and C1[PE].
4 RXINV	Receive Data Inversion

Table continues on the next page...

UARTx_S2 field descriptions (continued)

Field	Description
	<p>Setting this field reverses the polarity of the received data input. In NRZ format, a one is represented by a mark and a zero is represented by a space for normal polarity, and the opposite for inverted polarity. This field is automatically set when C7816[INIT] and C7816[ISO7816E] are enabled and an initial character is detected in T = 0 protocol mode.</p> <p>NOTE: Setting RXINV inverts the RxD input for data bits, start and stop bits, break, and idle. When C7816[ISO7816E] is set/enabled, only the data bits and the parity bit are inverted.</p> <p>0 Receive data is not inverted. 1 Receive data is inverted.</p>
3 RWUID	<p>Receive Wakeup Idle Detect</p> <p>When RWU is set and WAKE is cleared, this field controls whether the idle character that wakes the receiver sets S1[IDLE]. This field must be cleared when C7816[ISO7816E] is set/enabled.</p> <p>0 S1[IDLE] is not set upon detection of an idle character. 1 S1[IDLE] is set upon detection of an idle character.</p>
2 BRK13	<p>Break Transmit Character Length</p> <p>Determines whether the transmit break character is 10, 11, or 12 bits long, or 13 or 14 bits long. See for the length of the break character for the different configurations. The detection of a framing error is not affected by this field. Transmitting break characters</p> <p>0 Break character is 10, 11, or 12 bits long. 1 Break character is 13 or 14 bits long.</p>
1 Reserved	<p>Reserved.</p> <p>This field is reserved.</p>
0 RAF	<p>Receiver Active Flag</p> <p>RAF is set when the UART receiver detects a logic 0 during the RT1 time period of the start bit search. RAF is cleared when the receiver detects an idle character when C7816[ISO7816E] is cleared/disabled. When C7816[ISO7816E] is enabled, the RAF is cleared if the C7816[TTYTYPE] = 0 expires or the C7816[TTYTYPE] = 1 expires.</p> <p>NOTE: In case C7816[ISO7816E] is set and C7816[TTYTYPE] = 0, it is possible to configure the guard time to 12. However, if a NACK is required to be transmitted, the data transfer actually takes 13 ETU with the 13th ETU slot being a inactive buffer. Therefore, in this situation, the RAF may deassert one ETU prior to actually being inactive.</p> <p>0 UART receiver idle/inactive waiting for a start bit. 1 UART receiver active, RxD input not idle.</p>

38.4.7 UART Control Register 3 (UARTx_C3)

Writing R8 does not have any effect. TXDIR and TXINV can be changed only between transmit and receive packets.

Address: 4006_C000h base + 6h offset = 4006_C006h

Bit	7	6	5	4	3	2	1	0
Read	R8	T8	TXDIR	TXINV	ORIE	NEIE	FEIE	PEIE
Write								
Reset	0	0	0	0	0	0	0	0

UARTx_C3 field descriptions

Field	Description
7 R8	<p>Received Bit 8</p> <p>R8 is the ninth data bit received when the UART is configured for 9-bit data format, that is, if C1[M] = 1 or C4[M10] = 1. The R8 value corresponds to the current data value in the UARTx_D register. To read the 9th bit, read the value of UARTx_C3[R8], then read the UARTx_D register.</p>
6 T8	<p>Transmit Bit 8</p> <p>T8 is the ninth data bit transmitted when the UART is configured for 9-bit data format, that is, if C1[M] = 1 or C4[M10] = 1.</p> <p>NOTE: If the value of T8 is the same as in the previous transmission, T8 does not have to be rewritten. The same value is transmitted until T8 is rewritten.</p> <p>To correctly transmit the 9th bit, write UARTx_C3[T8] to the desired value, then write the UARTx_D register with the remaining data.</p>
5 TXDIR	<p>Transmitter Pin Data Direction in Single-Wire mode</p> <p>Determines whether the TXD pin is used as an input or output in the single-wire mode of operation. This field is relevant only to the single wire mode. When C7816[ISO7816E] is set/enabled and C7816[TTYTYPE] = 1, this field is automatically cleared after the requested block is transmitted. This condition is detected when TL7816[TLEN] = 0 and 4 additional characters are transmitted. Additionally, if C7816[ISO7816E] is set/enabled and C7816[TTYTYPE] = 0 and a NACK is being transmitted, the hardware automatically overrides this field as needed. In this situation, TXDIR does not reflect the temporary state associated with the NACK.</p> <p>0 TXD pin is an input in single wire mode. 1 TXD pin is an output in single wire mode.</p>
4 TXINV	<p>Transmit Data Inversion.</p> <p>Setting this field reverses the polarity of the transmitted data output. In NRZ format, a one is represented by a mark and a zero is represented by a space for normal polarity, and the opposite for inverted polarity. This field is automatically set when C7816[INIT] and C7816[ISO7816E] are enabled and an initial character is detected in T = 0 protocol mode.</p> <p>NOTE: Setting TXINV inverts all transmitted values, including idle, break, start, and stop bits. In loop mode, if TXINV is set, the receiver gets the transmit inversion bit when RXINV is disabled. When C7816[ISO7816E] is set/enabled then only the transmitted data bits and parity bit are inverted.</p>

Table continues on the next page...

UARTx_C3 field descriptions (continued)

Field	Description
	0 Transmit data is not inverted. 1 Transmit data is inverted.
3 ORIE	Overrun Error Interrupt Enable Enables the overrun error flag, S1[OR], to generate interrupt requests. 0 OR interrupts are disabled. 1 OR interrupt requests are enabled.
2 NEIE	Noise Error Interrupt Enable Enables the noise flag, S1[NF], to generate interrupt requests. 0 NF interrupt requests are disabled. 1 NF interrupt requests are enabled.
1 FEIE	Framing Error Interrupt Enable Enables the framing error flag, S1[FE], to generate interrupt requests. 0 FE interrupt requests are disabled. 1 FE interrupt requests are enabled.
0 PEIE	Parity Error Interrupt Enable Enables the parity error flag, S1[PF], to generate interrupt requests. 0 PF interrupt requests are disabled. 1 PF interrupt requests are enabled.

38.4.8 UART Data Register (UARTx_D)

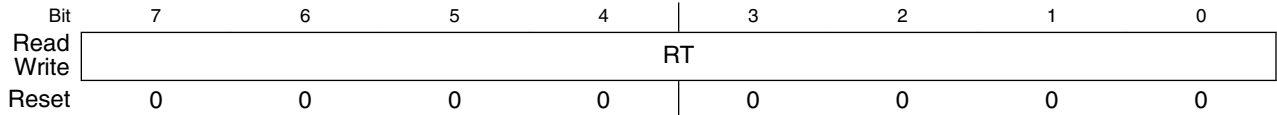
This register is actually two separate registers. Reads return the contents of the read-only receive data register and writes go to the write-only transmit data register.

NOTE

- In 8-bit or 9-bit data format, only UART data register (D) needs to be accessed to clear the S1[RDRF] bit. The C3 register needs to be read, prior to the D register, only if the ninth bit of data needs to be captured.
- In the normal 8-bit mode (M bit cleared) if the parity is enabled, you get seven data bits and one parity bit. That one parity bit is loaded into the D register. So, for the data bits, mask off the parity bit from the value you read out of this register.
- When transmitting in 9-bit data format and using 8-bit write instructions, write first to transmit bit 8 in UART control register 3 (C3[T8]), then D. A write to C3[T8]

stores the data in a temporary register. If D register is written first, and then the new data on data bus is stored in D, the temporary value written by the last write to C3[T8] gets stored in the C3[T8] register.

Address: 4006_C000h base + 7h offset = 4006_C007h



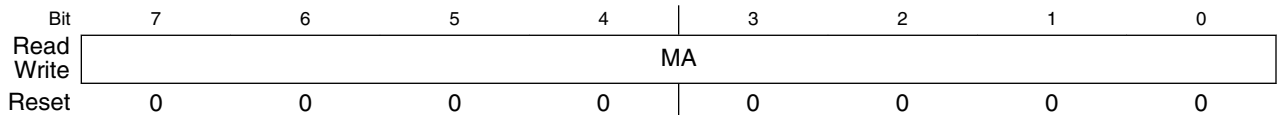
UARTx_D field descriptions

Field	Description
RT	Reads return the contents of the read-only receive data register and writes go to the write-only transmit data register.

38.4.9 UART Match Address Registers 1 (UARTx_MA1)

The MA1 and MA2 registers are compared to input data addresses when the most significant bit is set and the associated C4[MAEN] field is set. If a match occurs, the following data is transferred to the data register. If a match fails, the following data is discarded. These registers can be read and written at anytime.

Address: 4006_C000h base + 8h offset = 4006_C008h



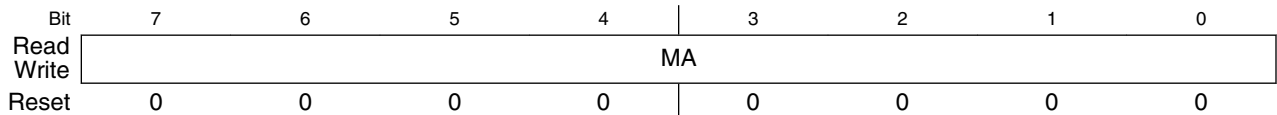
UARTx_MA1 field descriptions

Field	Description
MA	Match Address

38.4.10 UART Match Address Registers 2 (UARTx_MA2)

These registers can be read and written at anytime. The MA1 and MA2 registers are compared to input data addresses when the most significant bit is set and the associated C4[MAEN] field is set. If a match occurs, the following data is transferred to the data register. If a match fails, the following data is discarded.

Address: 4006_C000h base + 9h offset = 4006_C009h

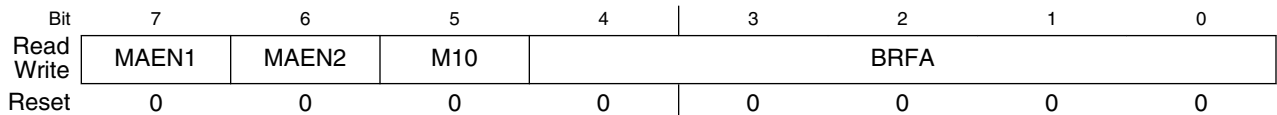


UARTx_MA2 field descriptions

Field	Description
MA	Match Address

38.4.11 UART Control Register 4 (UARTx_C4)

Address: 4006_C000h base + Ah offset = 4006_C00Ah



UARTx_C4 field descriptions

Field	Description
7 MAEN1	<p>Match Address Mode Enable 1</p> <p>See Match address operation for more information.</p> <p>0 All data received is transferred to the data buffer if MAEN2 is cleared.</p> <p>1 All data received with the most significant bit cleared, is discarded. All data received with the most significant bit set, is compared with contents of MA1 register. If no match occurs, the data is discarded. If match occurs, data is transferred to the data buffer. This field must be cleared when C7816[ISO7816E] is set/enabled.</p>
6 MAEN2	<p>Match Address Mode Enable 2</p> <p>See Match address operation for more information.</p> <p>0 All data received is transferred to the data buffer if MAEN1 is cleared.</p> <p>1 All data received with the most significant bit cleared, is discarded. All data received with the most significant bit set, is compared with contents of MA2 register. If no match occurs, the data is discarded. If a match occurs, data is transferred to the data buffer. This field must be cleared when C7816[ISO7816E] is set/enabled.</p>

Table continues on the next page...

UARTx_C4 field descriptions (continued)

Field	Description
5 M10	<p>10-bit Mode select</p> <p>Causes a tenth, non-memory mapped bit to be part of the serial transmission. This tenth bit is generated and interpreted as a parity bit. If M10 is set, then both C1[M] and C1[PE] must also be set. This field must be cleared when C7816[ISO7816E] is set/enabled.</p> <p>See Data format (non ISO-7816) for more information.</p> <p>0 The parity bit is the ninth bit in the serial transmission. 1 The parity bit is the tenth bit in the serial transmission.</p>
BRFA	<p>Baud Rate Fine Adjust</p> <p>This bit field is used to add more timing resolution to the average baud frequency, in increments of 1/32. See Baud rate generation for more information.</p>

38.4.12 UART Control Register 5 (UARTx_C5)

Address: 4006_C000h base + Bh offset = 4006_C00Bh

Bit	7	6	5	4	3	2	1	0
Read	TDMAS	0	RDMAS	0	0			
Write								
Reset	0	0	0	0	0	0	0	0

UARTx_C5 field descriptions

Field	Description
7 TDMAS	<p>Transmitter DMA Select</p> <p>Configures the transmit data register empty flag, S1[TDRE], to generate interrupt or DMA requests if C2[TIE] is set.</p> <p>NOTE:</p> <ul style="list-style-type: none"> If C2[TIE] is cleared, TDRE DMA and TDRE interrupt request signals are not asserted when the TDRE flag is set, regardless of the state of TDMAS. If C2[TIE] and TDMAS are both set, then C2[TCIE] must be cleared, and D must not be written unless a DMA request is being serviced. <p>0 If C2[TIE] is set and the S1[TDRE] flag is set, the TDRE interrupt request signal is asserted to request interrupt service. 1 If C2[TIE] is set and the S1[TDRE] flag is set, the TDRE DMA request signal is asserted to request a DMA transfer.</p>
6 Reserved	<p>This field is reserved. This read-only field is reserved and always has the value 0.</p>
5 RDMAS	<p>Receiver Full DMA Select</p> <p>Configures the receiver data register full flag, S1[RDRF], to generate interrupt or DMA requests if C2[RIE] is set.</p> <p>NOTE: If C2[RIE] is cleared, and S1[RDRF] is set, the RDRF DMA and RDRF interrupt request signals are not asserted, regardless of the state of RDMAS.</p>

Table continues on the next page...

UARTx_C5 field descriptions (continued)

Field	Description
0	If C2[RIE] and S1[RDRF] are set, the RDRF interrupt request signal is asserted to request an interrupt service.
1	If C2[RIE] and S1[RDRF] are set, the RDRF DMA request signal is asserted to request a DMA transfer.
4 Reserved	This field is reserved. This read-only field is reserved and always has the value 0.
Reserved	This field is reserved. This read-only field is reserved and always has the value 0.

38.4.13 UART 7816 Control Register (UARTx_C7816)

The C7816 register is the primary control register for ISO-7816 specific functionality. This register is specific to 7816 functionality and the values in this register have no effect on UART operation and should be ignored if ISO_7816E is not set/enabled. This register may be read at any time but values must be changed only when ISO_7816E is not set.

Address: 4006_C000h base + 18h offset = 4006_C018h

Bit	7	6	5	4	3	2	1	0
Read	0			ONACK	ANACK	INIT	TTYTYPE	ISO_7816E
Write	0			0	0	0	0	0
Reset	0	0	0	0	0	0	0	0

UARTx_C7816 field descriptions

Field	Description
7–5 Reserved	This field is reserved. This read-only field is reserved and always has the value 0.
4 ONACK	Generate NACK on Overflow When this field is set, the receiver automatically generates a NACK response if a receive buffer overrun occurs, as indicated by S1[OR]. In many systems, this results in the transmitter resending the packet that overflowed until the retransmit threshold for that transmitter is reached. A NACK is generated only if TTYTYPE=0. This field operates independently of ANACK. See . Overrun NACK considerations 0 The received data does not generate a NACK when the receipt of the data results in an overflow event. 1 If the receiver buffer overflows, a NACK is automatically sent on a received character.
3 ANACK	Generate NACK on Error When this field is set, the receiver automatically generates a NACK response if a parity error occurs or if INIT is set and an invalid initial character is detected. A NACK is generated only if TTYTYPE = 0. If ANACK is set, the UART attempts to retransmit the data indefinitely. To stop retransmission attempts, clear C2[TE] or ISO_7816E and do not set until S1[TC] sets C2[TE] again.

Table continues on the next page...

UARTx_C7816 field descriptions (continued)

Field	Description
	0 No NACK is automatically generated. 1 A NACK is automatically generated if a parity error is detected or if an invalid initial character is detected.
2 INIT	Detect Initial Character When this field is set, all received characters are searched for a valid initial character. If an invalid initial character is identified, and ANACK is set, a NACK is sent. All received data is discarded and error flags blocked (S1[NF], S1[OR], S1[FE], S1[PF], IS7816[WT], IS7816[CWT], IS7816[BWT], IS7816[ADT], IS7816[GTV]) until a valid initial character is detected. Upon detecting a valid initial character, the configuration values S2[MSBF], C3[TXINV], and S2[RXINV] are automatically updated to reflect the initial character that was received. The actual INIT data value is not stored in the receive buffer. Additionally, upon detection of a valid initial character, IS7816[INITD] is set and an interrupt issued as programmed by IE7816[INITDE]. When a valid initial character is detected, INIT is automatically cleared. This Initial Character Detect feature is supported only in T = 0 protocol mode. 0 Normal operating mode. Receiver does not seek to identify initial character. 1 Receiver searches for initial character.
1 TTYE	Transfer Type Indicates the transfer protocol being used. See ISO-7816 / smartcard support for more details. 0 T = 0 per the ISO-7816 specification. 1 T = 1 per the ISO-7816 specification.
0 ISO_7816E	ISO-7816 Functionality Enabled Indicates that the UART is operating according to the ISO-7816 protocol. NOTE: This field must be modified only when no transmit or receive is occurring. If this field is changed during a data transfer, the data being transmitted or received may be transferred incorrectly. 0 ISO-7816 functionality is turned off/not enabled. 1 ISO-7816 functionality is turned on/enabled.

38.4.14 UART 7816 Interrupt Enable Register (UARTx_IE7816)

The IE7816 register controls which flags result in an interrupt being issued. This register is specific to 7816 functionality, the corresponding flags that drive the interrupts are not asserted when 7816E is not set/enabled. However, these flags may remain set if they are asserted while 7816E was set and not subsequently cleared. This register may be read or written to at any time.

Address: 4006_C000h base + 19h offset = 4006_C019h

Bit	7	6	5	4	3	2	1	0
Read	WTE	CWTE	BWTE	INITDE	ADTE	GTVE	TXTE	RXTE
Write								
Reset	0	0	0	0	0	0	0	0

UARTx_IE7816 field descriptions

Field	Description
7 WTE	Wait Timer Interrupt Enable 0 The assertion of IS7816[WT] does not result in the generation of an interrupt. 1 The assertion of IS7816[WT] results in the generation of an interrupt.
6 CWTE	Character Wait Timer Interrupt Enable 0 The assertion of IS7816[CWT] does not result in the generation of an interrupt. 1 The assertion of IS7816[CWT] results in the generation of an interrupt.
5 BWTE	Block Wait Timer Interrupt Enable 0 The assertion of IS7816[BWT] does not result in the generation of an interrupt. 1 The assertion of IS7816[BWT] results in the generation of an interrupt.
4 INITDE	Initial Character Detected Interrupt Enable 0 The assertion of IS7816[INITD] does not result in the generation of an interrupt. 1 The assertion of IS7816[INITD] results in the generation of an interrupt.
3 ADTE	ATR Duration Timer Interrupt Enable 0 The assertion of IS7816[ADT] does not result in the generation of an interrupt. 1 The assertion of IS7816[ADT] results in the generation of an interrupt.
2 GTVE	Guard Timer Violated Interrupt Enable 0 The assertion of IS7816[GTV] does not result in the generation of an interrupt. 1 The assertion of IS7816[GTV] results in the generation of an interrupt.
1 TXTE	Transmit Threshold Exceeded Interrupt Enable 0 The assertion of IS7816[TXT] does not result in the generation of an interrupt. 1 The assertion of IS7816[TXT] results in the generation of an interrupt.
0 RXTE	Receive Threshold Exceeded Interrupt Enable 0 The assertion of IS7816[RXT] does not result in the generation of an interrupt. 1 The assertion of IS7816[RXT] results in the generation of an interrupt.

38.4.15 UART 7816 Interrupt Status Register (UARTx_IS7816)

The IS7816 register provides a mechanism to read and clear the interrupt flags. All flags/interrupts are cleared by writing a 1 to the field location. Writing a 0 has no effect. All bits are "sticky", meaning they indicate that only the flag condition that occurred since the last time the bit was cleared, not that the condition currently exists. The status flags are set regardless of whether the corresponding field in the IE7816 is set or cleared. The IE7816 controls only if an interrupt is issued to the host processor. This register is specific to 7816 functionality and the values in this register have no affect on UART operation and should be ignored if 7816E is not set/enabled. This register may be read or written at anytime.

Address: 4006_C000h base + 1Ah offset = 4006_C01Ah

Bit	7	6	5	4	3	2	1	0
Read	WT	CWT	BWT	INITD	ADT	GTV	TXT	RXT
Write	w1c	w1c	w1c	w1c	w1c	w1c	w1c	w1c
Reset	0	0	0	0	0	0	0	0

UARTx_IS7816 field descriptions

Field	Description
7 WT	<p>Wait Timer Interrupt</p> <p>Indicates that the wait time, the time between the leading edge of a character being transmitted and the leading edge of the next response character, has exceeded the programmed value. This flag asserts only when C7816[TTYPE] = 0. This interrupt is cleared by writing 1.</p> <p>0 Wait time (WT) has not been violated. 1 Wait time (WT) has been violated.</p>
6 CWT	<p>Character Wait Timer Interrupt</p> <p>Indicates that the character wait time, the time between the leading edges of two consecutive characters in a block, has exceeded the programmed value. This flag asserts only when C7816[TTYPE] = 1. This interrupt is cleared by writing 1.</p> <p>0 Character wait time (CWT) has not been violated. 1 Character wait time (CWT) has been violated.</p>
5 BWT	<p>Block Wait Timer Interrupt</p> <p>Indicates that the block wait time, the time between the leading edge of first received character of a block and the leading edge of the last character of the previously transmitted block, has exceeded the programmed value. This flag asserts only when C7816[TTYPE] = 1. This interrupt is cleared by writing 1.</p> <p>0 Block wait time (BWT) has not been violated. 1 Block wait time (BWT) has been violated.</p>
4 INITD	<p>Initial Character Detected Interrupt</p> <p>Indicates that a valid initial character is received. This interrupt is cleared by writing 1.</p>

Table continues on the next page...

UARTx_IS7816 field descriptions (continued)

Field	Description
	0 A valid initial character has not been received. 1 A valid initial character has been received.
3 ADT	ATR Duration Time Interrupt Indicates that the ATR duration time, the time between the leading edge of the TS character being received and the leading edge of the next response character, has exceeded the programmed value. This flag asserts only when C7816[TTYTYPE] = 0. This interrupt is cleared by writing 1. 0 ATR Duration time (ADT) has not been violated. 1 ATR Duration time (ADT) has been violated.
2 GTV	Guard Timer Violated Interrupt Indicates that one or more of the character guard time, block guard time, or guard time are violated. This interrupt is cleared by writing 1. 0 A guard time (GT, CGT, or BGT) has not been violated. 1 A guard time (GT, CGT, or BGT) has been violated.
1 TXT	Transmit Threshold Exceeded Interrupt Indicates that the transmit NACK threshold has been exceeded as indicated by ET7816[TXTHRESHOLD]. Regardless of whether this flag is set, the UART continues to retransmit indefinitely. This flag asserts only when C7816[TTYTYPE] = 0. If 7816E is cleared/disabled, ANACK is cleared/disabled, C2[TE] is cleared/disabled, C7816[TTYTYPE] = 1, or packet is transferred without receiving a NACK, the internal NACK detection counter is cleared and the count restarts from zero on the next received NACK. This interrupt is cleared by writing 1. 0 The number of retries and corresponding NACKS does not exceed the value in ET7816[TXTHRESHOLD]. 1 The number of retries and corresponding NACKS exceeds the value in ET7816[TXTHRESHOLD].
0 RXT	Receive Threshold Exceeded Interrupt Indicates that there are more than ET7816[RXTHRESHOLD] consecutive NACKS generated in response to parity errors on received data. This flag requires ANACK to be set. Additionally, this flag asserts only when C7816[TTYTYPE] = 0. Clearing this field also resets the counter keeping track of consecutive NACKS. The UART will continue to attempt to receive data regardless of whether this flag is set. If 7816E is cleared/disabled, RE is cleared/disabled, C7816[TTYTYPE] = 1, or packet is received without needing to issue a NACK, the internal NACK detection counter is cleared and the count restarts from zero on the next transmitted NACK. This interrupt is cleared by writing 1. 0 The number of consecutive NACKS generated as a result of parity errors and buffer overruns is less than or equal to the value in ET7816[RXTHRESHOLD]. 1 The number of consecutive NACKS generated as a result of parity errors and buffer overruns is greater than the value in ET7816[RXTHRESHOLD].

38.4.16 UART 7816 Wait Parameter Register (UARTx_WP7816)

The WP7816 register contains the WTX variable used in the generation of the block wait timer. This register may be read at any time. This register must be written to only when C7816[ISO_7816E] is not set.

Address: 4006_C000h base + 1Bh offset = 4006_C01Bh

Bit	7	6	5	4	3	2	1	0
Read	WTX							
Write								
Reset	0	0	0	0	0	0	0	0

UARTx_WP7816 field descriptions

Field	Description
WTX	Wait Time Multiplier (C7816[TTYPE] = 1) Used to calculate the value used for the BWT counter. It represents a value between 0 and 255. This value is used only when C7816[TTYPE] = 1. See Wait time and guard time parameters .

38.4.17 UART 7816 Wait N Register (UARTx_WN7816)

The WN7816 register contains a parameter that is used in the calculation of the guard time counter. This register may be read at any time. This register must be written to only when C7816[ISO_7816E] is not set.

Address: 4006_C000h base + 1Ch offset = 4006_C01Ch

Bit	7	6	5	4	3	2	1	0
Read	GTN							
Write								
Reset	0	0	0	0	0	0	0	0

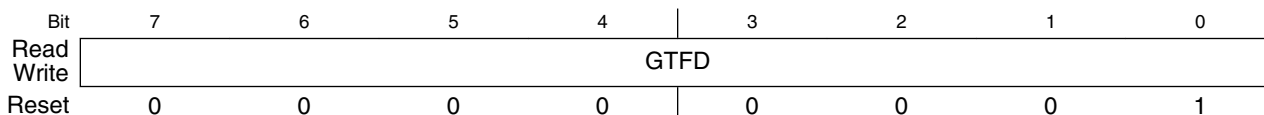
UARTx_WN7816 field descriptions

Field	Description
GTN	Guard Band N Defines a parameter used in the calculation of GT, CGT, and BGT counters. The value represents an integer number between 0 and 255. See Wait time and guard time parameters .

38.4.18 UART 7816 Wait FD Register (UARTx_WF7816)

The WF7816 contains parameters that are used in the generation of various counters including GT, CGT, BGT, WT, and BWT. This register may be read at any time. This register must be written to only when C7816[ISO_7816E] is not set.

Address: 4006_C000h base + 1Dh offset = 4006_C01Dh



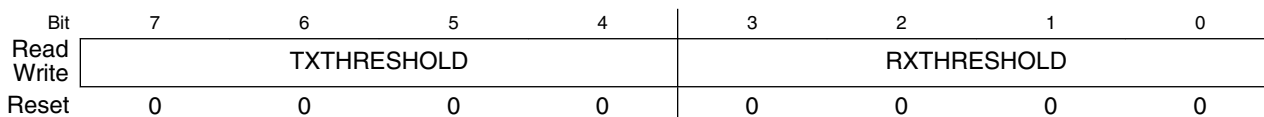
UARTx_WF7816 field descriptions

Field	Description
GTFD	FD Multiplier Used as another multiplier in the calculation of BWT. This value represents a number between 1 and 255. The value of 0 is invalid. This value is not used in baud rate generation. See Wait time and guard time parameters and Baud rate generation .

38.4.19 UART 7816 Error Threshold Register (UARTx_ET7816)

The ET7816 register contains fields that determine the number of NACKs that must be received or transmitted before the host processor is notified. This register may be read at anytime. This register must be written to only when C7816[ISO_7816E] is not set.

Address: 4006_C000h base + 1Eh offset = 4006_C01Eh



UARTx_ET7816 field descriptions

Field	Description
7-4 TXTHRESHOLD	Transmit NACK Threshold The value written to this field indicates the maximum number of failed attempts (NACKs) a transmitted character can have before the host processor is notified. This field is meaningful only when C7816[TTYTYPE] = 0 and C7816[ANACK] = 1. The value read from this field represents the number of consecutive NACKs that have been received since the last successful transmission. This counter saturates at 4'hF and does not wrap around. Regardless of how many NACKs that are received, the UART continues to retransmit indefinitely. This flag only asserts when C7816[TTYTYPE] = 0. For additional information see the IS7816[TXT] field description. 0 TXT asserts on the first NACK that is received. 1 TXT asserts on the second NACK that is received.

Table continues on the next page...

UARTx_ET7816 field descriptions (continued)

Field	Description
RXTHRESHOLD	<p>Receive NACK Threshold</p> <p>The value written to this field indicates the maximum number of consecutive NACKs generated as a result of a parity error or receiver buffer overruns before the host processor is notified. After the counter exceeds that value in the field, the IS7816[RXT] is asserted. This field is meaningful only when C7816[TTYPE] = 0. The value read from this field represents the number of consecutive NACKs that have been transmitted since the last successful reception. This counter saturates at 4'hF and does not wrap around. Regardless of the number of NACKs sent, the UART continues to receive valid packets indefinitely. For additional information, see IS7816[RXT] field description.</p>

38.4.20 UART 7816 Transmit Length Register (UARTx_TL7816)

The TL7816 register is used to indicate the number of characters contained in the block being transmitted. This register is used only when C7816[TTYPE] = 1. This register may be read at anytime. This register must be written only when C2[TE] is not enabled.

Address: 4006_C000h base + 1Fh offset = 4006_C01Fh

Bit	7	6	5	4	3	2	1	0
Read	TLEN							
Write	TLEN							
Reset	0	0	0	0	0	0	0	0

UARTx_TL7816 field descriptions

Field	Description
TLEN	<p>Transmit Length</p> <p>This value plus four indicates the number of characters contained in the block being transmitted. This register is automatically decremented by 1 for each character in the information field portion of the block. Additionally, this register is automatically decremented by 1 for the first character of a CRC in the epilogue field. Therefore, this register must be programmed with the number of bytes in the data packet if an LRC is being transmitted, and the number of bytes + 1 if a CRC is being transmitted. This register is not decremented for characters that are assumed to be part of the Prologue field, that is, the first three characters transmitted in a block, or the LRC or last CRC character in the Epilogue field, that is, the last character transmitted. This field must be programmed or adjusted only when C2[TE] is cleared.</p>

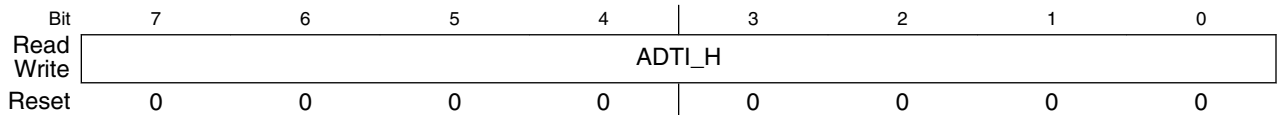
38.4.21 UART 7816 ATR Duration Timer Register A (UARTx_AP7816A_T0)

The AP7816A_T0 register contains variables used in the generation of the ATR Duration Timer. This register may be read at any time. This register must be written to only when C7816[ISO_7816E] is not set, except when writing 0 to clear the ADT Counter.

NOTE

The ADT Counter starts counting on detection of the complete TS Character. It must be noted that by this time, exactly 10 ETUs have elapsed since the start bit of the TS character. The user must take this into account while programming this register.

Address: 4006_C000h base + 3Ah offset = 4006_C03Ah



UARTx_AP7816A_T0 field descriptions

Field	Description
ADTI_H	<p>ATR Duration Time Integer High (C7816[TTYPE] = 0)</p> <p>Used to calculate the value used for the ADT Counter. This register field provides the most significant byte of the 16 bit ATR Duration Time Integer field ADTI formed by {AP7816A_T0[ADTI_H], AP7816B_T0[ADTI_L]}. Programming a value of ADTI = 0 disables the ADT counter. This value is used only when C7816[TTYPE] = 0. See ATR Duration Time Counter.</p>

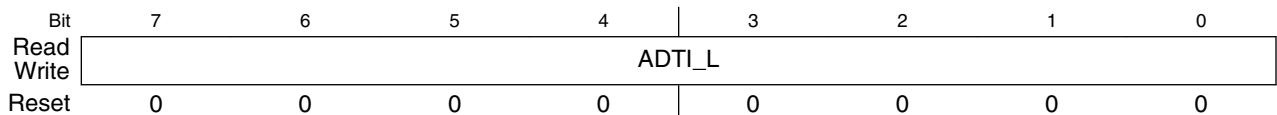
38.4.22 UART 7816 ATR Duration Timer Register B (UARTx_AP7816B_T0)

The AP7816B_T0 register contains variables used in the generation of the ATR Duration Timer. This register may be read at any time. This register must be written to only when C7816[ISO_7816E] is not set, except when writing 0 to clear the ADT Counter.

NOTE

The ADT Counter starts counting on detection of the complete TS Character. It must be noted that by this time, exactly 10 ETUs have elapsed since the start bit of the TS character. The user must take this into account while programming this register.

Address: 4006_C000h base + 3Bh offset = 4006_C03Bh



UARTx_AP7816B_T0 field descriptions

Field	Description
ADTI_L	ATR Duration Time Integer Low (C7816[TTYPE] = 0)

UARTx_AP7816B_T0 field descriptions (continued)

Field	Description
	Used to calculate the value used for the ADT counter. This register field provides the least significant byte of the 16 bit ATR Duration Time Integer field ADTI formed by {AP7816A_T0[ADTI_H], AP7816B_T0[ADTI_L]}. Programming a value of ADTI = 0 disables the ADT counter. This value is used only when C7816[TTYPE] = 0. See ATR Duration Time Counter .

38.4.23 UART 7816 Wait Parameter Register A (UARTx_WP7816A_T0)

The WP7816A_T0 register contains constants used in the generation of various wait time counters. To save register space, this register is used differently when C7816[TTYPE] = 0 and C7816[TTYPE] = 1. This register may be read at any time. This register must be written to only when C7816[ISO_7816E] is not set.

Address: 4006_C000h base + 3Ch offset = 4006_C03Ch

Bit	7	6	5	4	3	2	1	0
Read	WI_H							
Write	WI_H							
Reset	0	0	0	0	0	0	0	0

UARTx_WP7816A_T0 field descriptions

Field	Description
WI_H	Wait Time Integer High (C7816[TTYPE] = 0) Used to calculate the value used for the WT counter. This register field provides the most significant byte of the 16 bit Wait Time Integer field WI formed by {WP7816A_T0[WI_H], WP7816B_T0[WI_L]}. The value of WI = 0 is invalid and must not be programmed. This value is used only when C7816[TTYPE] = 0. See Wait time and guard time parameters .

38.4.24 UART 7816 Wait Parameter Register A (UARTx_WP7816A_T1)

The WP7816A_T1 register contains constants used in the generation of various wait time counters. To save register space, this register is used differently when C7816[TTYPE] = 0 and C7816[TTYPE] = 1. This register may be read at any time. This register must be written to only when C7816[ISO_7816E] is not set.

Address: 4006_C000h base + 3Ch offset = 4006_C03Ch

Bit	7	6	5	4	3	2	1	0
Read	BWI_H							
Write	BWI_H							
Reset	0	0	0	0	0	0	0	0

UARTx_WP7816A_T1 field descriptions

Field	Description
BWI_H	Block Wait Time Integer High (C7816[TTYPE] = 1) Used to calculate the value used for the BWT counter. This register field provides the most significant byte of the 16 bit Block Wait Time Integer field BWI formed by {WP7816A_T1[BWI_H], WP7816B_T1[BWI_L]}. The value of BWI = 0 is invalid and should not be programmed. This value is used only when C7816[TTYPE] = 1. See Wait time and guard time parameters .

38.4.25 UART 7816 Wait Parameter Register B (UARTx_WP7816B_T0)

The WP7816B_T0 register contains constants used in the generation of various wait time counters. To save register space, this register is used differently when C7816[TTYPE] = 0 and C7816[TTYPE] = 1. This register may be read at any time. This register must be written to only when C7816[ISO_7816E] is not set.

Address: 4006_C000h base + 3Dh offset = 4006_C03Dh

Bit	7	6	5	4	3	2	1	0
Read	WI_L							
Write	WI_L							
Reset	0	0	0	1	0	1	0	0

UARTx_WP7816B_T0 field descriptions

Field	Description
WI_L	Wait Time Integer Low (C7816[TTYPE] = 0) Used to calculate the value used for the WT counter. This register field provides the least significant byte of the 16 bit Wait Time Integer field WI formed by {WP7816A_T0[WI_H], WP7816B_T0[WI_L]}. The value of WI = 0 is invalid and must not be programmed. This value is used only when C7816[TTYPE] = 0. See Wait time and guard time parameters .

38.4.26 UART 7816 Wait Parameter Register B (UARTx_WP7816B_T1)

The WP7816B_T1 register contains constants used in the generation of various wait time counters. To save register space, this register is used differently when C7816[TTYPE] = 0 and C7816[TTYPE] = 1. This register may be read at any time. This register must be written to only when C7816[ISO_7816E] is not set.

Address: 4006_C000h base + 3Dh offset = 4006_C03Dh

Bit	7	6	5	4	3	2	1	0
Read	BWI_L							
Write	BWI_L							
Reset	0	0	0	1	0	1	0	0

UARTx_WP7816B_T1 field descriptions

Field	Description
BWI_L	Block Wait Time Integer Low (C7816[TTYPER] = 1) Used to calculate the value used for the BWT counter. This register field provides the least significant byte of the 16 bit Block Wait Time Integer field BWI formed by {WP7816A_T1[BWI_H], WP7816B_T1[BWI_L]}. The value of BWI = 0 is invalid and should not be programmed. This value is used only when C7816[TTYPER] = 1. See Wait time and guard time parameters .

38.4.27 UART 7816 Wait and Guard Parameter Register (UARTx_WGP7816_T1)

The WGP7816_T1 register contains constants used in the generation of various wait and guard timer counters. This register may be read at any time. This register must be written to only when C7816[ISO_7816E] is not set.

Address: 4006_C000h base + 3Eh offset = 4006_C03Eh

Bit	7	6	5	4	3	2	1	0
Read	CW11				BGI			
Write								
Reset	0	0	0	0	0	1	1	0

UARTx_WGP7816_T1 field descriptions

Field	Description
7-4 CW11	Character Wait Time Integer 1 (C7816[TTYPER] = 1) Used to calculate the value used for the CWT counter. It represents a value between 0 and 15. This value is used only when C7816[TTYPER] = 1. See Wait time and guard time parameters .
BGI	Block Guard Time Integer (C7816[TTYPER] = 1) Used to calculate the value used for the BGT counter. It represent a value between 0 and 15. This value is used only when C7816[TTYPER] = 1. See Wait time and guard time parameters .

38.4.28 UART 7816 Wait Parameter Register C (UARTx_WP7816C_T1)

The WP7816C_T1 register contains constants used in the generation of various wait timer counters. This register may be read at any time. This register must be written to only when C7816[ISO_7816E] is not set.

Address: 4006_C000h base + 3Fh offset = 4006_C03Fh

Bit	7	6	5	4	3	2	1	0
Read	0				CW12			
Write								
Reset	0	0	0	0	1	0	1	1

UARTx_WP7816C_T1 field descriptions

Field	Description
7-5 Reserved	This field is reserved. This read-only field is reserved and always has the value 0.
CWI2	Character Wait Time Integer 2 (C7816[TTYPER] = 1) Used to calculate the value used for the CWT counter. It represents a value between 0 and 31. This value is used only when C7816[TTYPER] = 1. See Wait time and guard time parameters .

38.5 Functional description

This section provides a complete functional description of the UART block.

The UART allows full duplex, asynchronous, NRZ serial communication between the CPU and remote devices, including other CPUs. The UART transmitter and receiver operate independently, although they use the same baud rate generator. The CPU monitors the status of the UART, writes the data to be transmitted, and processes received data.

38.5.1 Transmitter

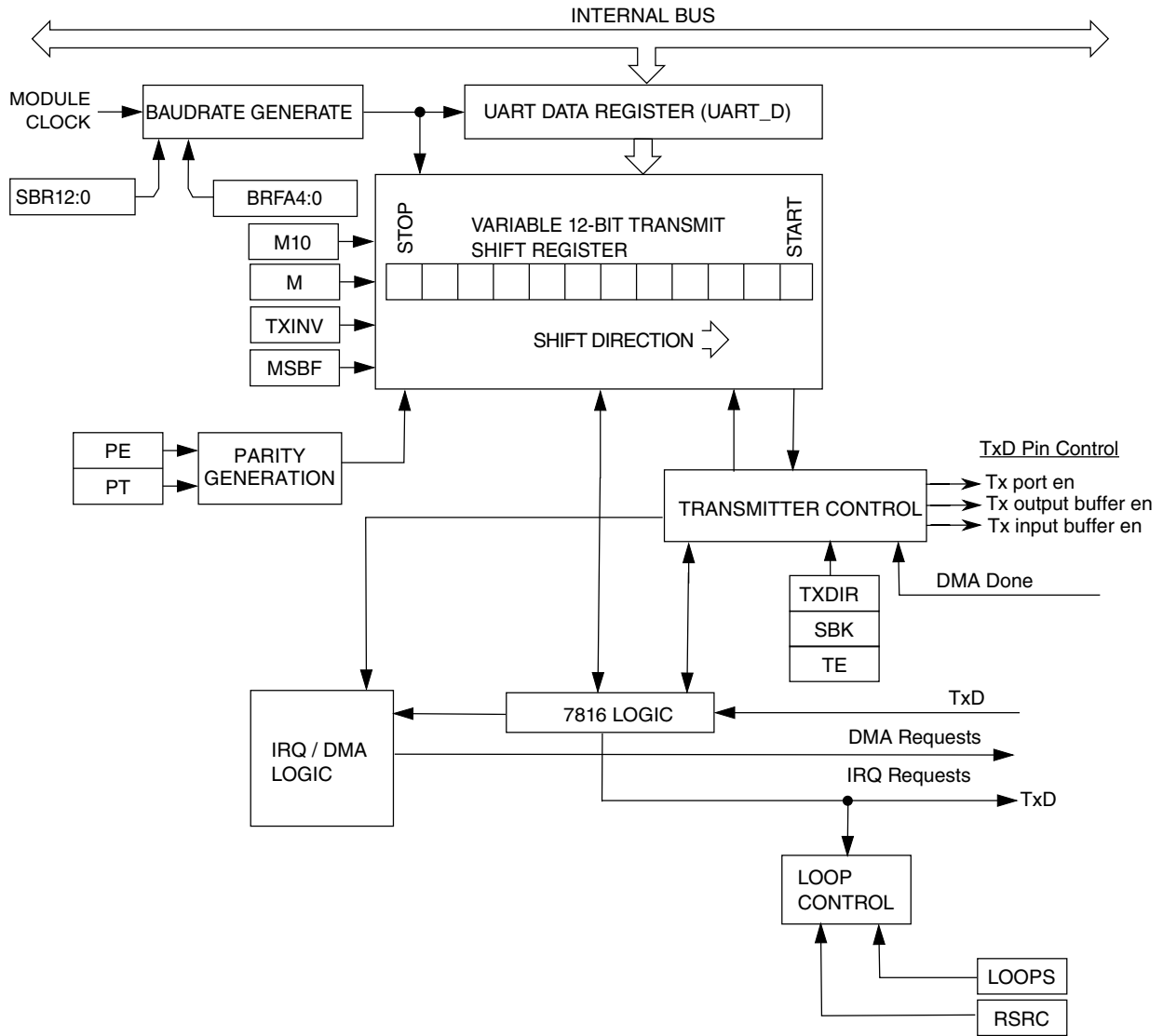


Figure 38-1. Transmitter Block Diagram

38.5.1.1 Transmitter character length

The UART transmitter can accommodate either 8, 9, or 10-bit data characters. The state of the C1[M] and C1[PE] bits and the C4[M10] bit determine the length of data characters. When transmitting 9-bit data, bit C3[T8] is the ninth bit (bit 8).

38.5.1.2 Transmission bit order

When S2[MSBF] is set, the UART automatically transmits the MSB of the data word as the first bit after the start bit. Similarly, the LSB of the data word is transmitted immediately preceding the parity bit, or the stop bit if parity is not enabled. All necessary bit ordering is handled automatically by the module. Therefore, the format of the data written to D for transmission is completely independent of the S2[MSBF] setting.

38.5.1.3 Character transmission

To transmit data, the MCU writes the data bits to the UART transmit buffer using UART data registers C3[T8] and D. Data in the transmit buffer is then transferred to the transmitter shift register as needed. The transmit shift register then shifts a frame out through the transmit data output signal after it has prefaced it with any required start and stop bits. The UART data registers, C3[T8] and D, provide access to the transmit buffer structure.

The UART also sets a flag, the transmit data register empty flag S1[TDRE], and generates an interrupt or DMA request (C5[TDMAS]) when transmit buffer is empty.. The transmit driver routine may respond to this flag by writing additional datawords to the transmit buffer using C3[T8]/D as space permits.

See [Application information](#) for specific programming sequences.

Setting C2[TE] automatically loads the transmit shift register with the following preamble:

- 10 logic 1s if C1[M] = 0
- 11 logic 1s if C1[M] = 1 and C4[M10] = 0
- 12 logic 1s if C1[M] = 1, C4[M10] = 1, C1[PE] = 1

After the preamble shifts out, control logic transfers the data from the D register into the transmit shift register. The transmitter automatically transmits the correct start bit and stop bit before and after the dataword.

When C7816[ISO_7816E] = 1, setting C2[TE] does not result in a preamble being generated. The transmitter starts transmitting as soon as the corresponding guard time expires. When C7816[TTYTYPE] = 0, the value in GT is used. When C7816[TTYTYPE] = 1, the value in BGT is used, because C2[TE] will remain asserted until the end of the block transfer. C2[TE] is automatically cleared when C7816[TTYTYPE] = 1 and the block being transmitted has completed. When C7816[TTYTYPE] = 0, the transmitter listens for a NACK indication. If no NACK is received, it is assumed that the character was correctly

received. If a NACK is received, the transmitter resends the data, assuming that the number of retries for that character, that is, the number of NACKs received, is less than or equal to the value in ET7816[TXTHRESHOLD].

Hardware supports odd or even parity. When parity is enabled, the bit immediately preceding the stop bit is the parity bit.

When the transmit shift register is not transmitting a frame, the transmit data output signal goes to the idle condition, logic 1. If at any time software clears C2[TE], the transmitter enable signal goes low and the transmit signal goes idle.

If the software clears C2[TE] while a transmission is in progress, the character in the transmit shift register continues to shift out, provided S1[TC] was cleared during the data write sequence. To clear S1[TC], the S1 register must be read followed by a write to D register.

If S1[TC] is cleared during character transmission and C2[TE] is cleared, the transmission enable signal is deasserted at the completion of the current frame. Following this, the transmit data out signal enters the idle state even if there is data pending in the UART transmit data buffer.

38.5.1.4 Transmitting break characters

Setting C2[SBK] loads the transmit shift register with a break character. A break character contains all logic 0s and has no start, stop, or parity bit. Break character length depends on C1[M], C1[PE], S2[BRK13] and C4[M10]. See the following table.

Table 38-3. Transmit break character length

S2[BRK13]	C1[M]	C4[M10]	C1[PE]	Bits transmitted
0	0	—	—	10
0	1	1	0	11
0	1	1	1	12
1	0	—	—	13
1	1	—	—	14

As long as C2[SBK] is set, the transmitter logic continuously loads break characters into the transmit shift register. After the software clears C2[SBK], the shift register finishes transmitting the last break character and then transmits at least one logic 1. The automatic logic 1 at the end of a break character guarantees the recognition of the start bit of the next character. Break bits are not supported when C7816[ISO_7816E] is set/enabled.

NOTE

When queuing a break character, it will be transmitted following the completion of the data value currently being shifted out from the shift register. This means that, if data is queued in the data buffer to be transmitted, the break character preempts that queued data. The queued data is then transmitted after the break character is complete.

38.5.1.5 Idle characters

An idle character contains all logic 1s and has no start, stop, or parity bit. Idle character length depends on C1[M], C1[PE] and C4[M10]. The preamble is a synchronizing idle character that begins the first transmission initiated after setting C2[TE]. When C7816[ISO_7816E] is set/enabled, idle characters are not sent or detected. When data is not being transmitted, the data I/O line is in an inactive state.

If C2[TE] is cleared during a transmission, the transmit data output signal becomes idle after completion of the transmission in progress. Clearing and then setting C2[TE] during a transmission queues an idle character to be sent after the dataword currently being transmitted.

Note

When queuing an idle character, the idle character will be transmitted following the completion of the data value currently being shifted out from the shift register. This means that if data is queued in the data buffer to be transmitted, the idle character preempts that queued data. The queued data is then transmitted after the idle character is complete.

If C2[TE] is cleared and the transmission is completed, the UART is not the master of the TXD pin.

38.5.2 Receiver

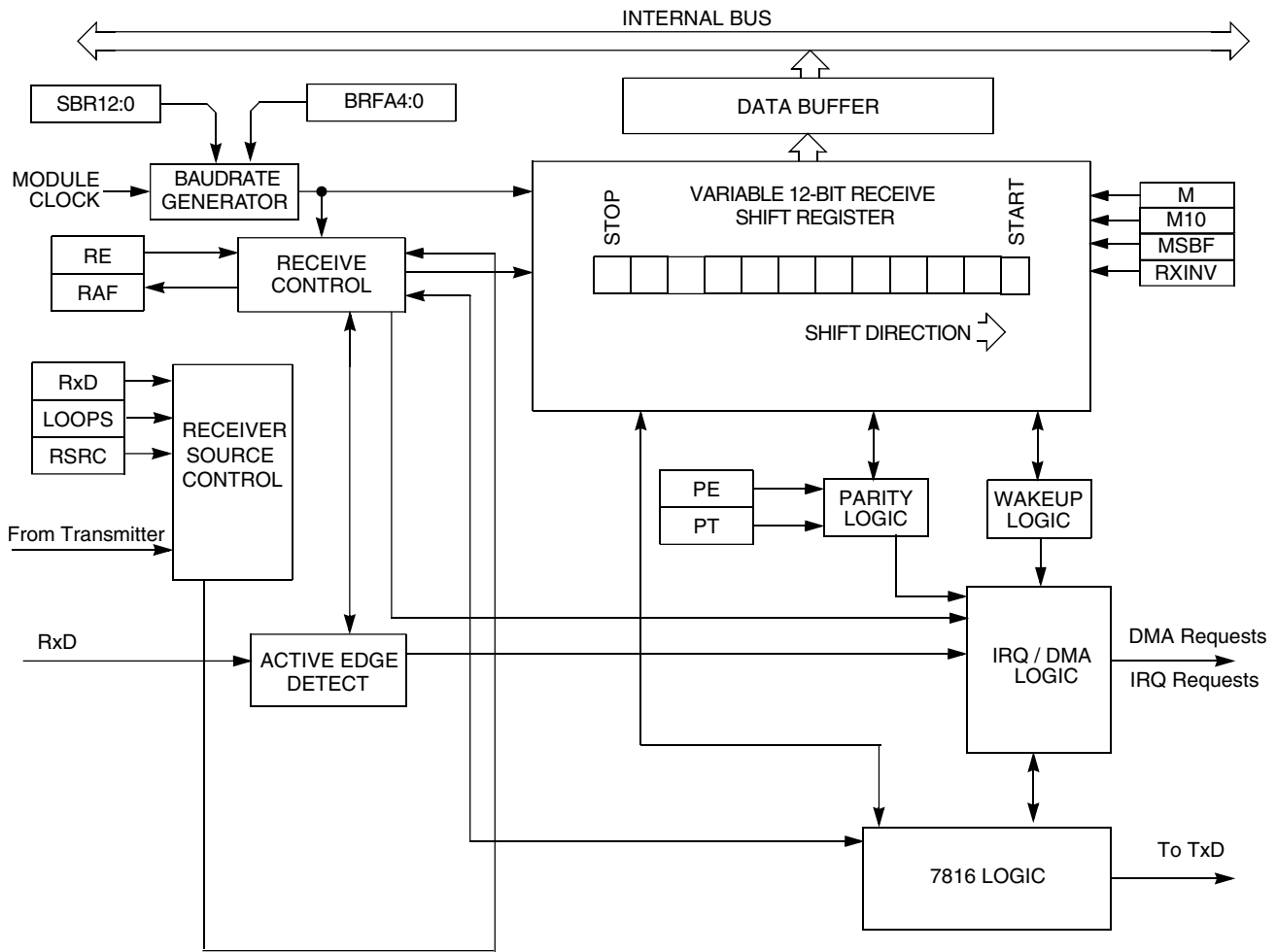


Figure 38-2. UART receiver block diagram

38.5.2.1 Receiver character length

The UART receiver can accommodate 8-, 9-, or 10-bit data characters. The states of C1[M], C1[PE] and C4[M10] determine the length of data characters. When receiving 9 or 10-bit data, C3[R8] is the ninth bit (bit 8).

38.5.2.2 Receiver bit ordering

When S2[MSBF] is set, the receiver operates such that the first bit received after the start bit is the MSB of the dataword. Similarly, the bit received immediately preceding the parity bit, or the stop bit if parity is not enabled, is treated as the LSB for the dataword. All necessary bit ordering is handled automatically by the module. Therefore, the format of the data read from receive data buffer is completely independent of S2[MSBF].

38.5.2.3 Character reception

During UART reception, the receive shift register shifts a frame in from the unsynchronized receiver input signal. After a complete frame shifts into the receive shift register, the data portion of the frame transfers to the UART receive buffer. The receive data buffer is accessible via the D and C3[T8] registers. S1[RDRF] is set if the receive buffer is full. If the C2[RIE] is also set, RDRF generates an RDRF interrupt request. Alternatively, by programming C5[RDMAS], a DMA request can be generated.

When C7816[ISO_7816E] is set/enabled and C7816[TTYTYPE] = 0, character reception operates slightly differently. Upon receipt of the parity bit, the validity of the parity bit is checked. If C7816[ANACK] is set and the parity check fails, or if INIT and the received character is not a valid initial character, then a NACK is sent by the receiver. If the number of consecutive receive errors exceeds the threshold set by ET7816[RXTHRESHOLD], then IS7816[RXT] is set and an interrupt generated if IE7816[RXTE] is set. If an error is detected due to parity or an invalid initial character, the data is not transferred from the receive shift register to the receive buffer. Instead, the data is overwritten by the next incoming data.

When the C7816[ISO_7816E] is set/enabled, C7816[ONACK] is set/enabled, and the received character results in the receive buffer overflowing, a NACK is issued by the receiver. Additionally, S1[OR] is set and an interrupt is issued if required, and the data in the shift register is discarded.

38.5.2.4 Data sampling

The receiver samples the unsynchronized receiver input signal at the RT clock rate. The RT clock is an internal signal with a frequency 16 times the baud rate. To adjust for baud rate mismatch, the RT clock (see the following figure) is re-synchronized:

- After every start bit.
- After the receiver detects a data bit change from logic 1 to logic 0 (after the majority of data bit samples at RT8, RT9, and RT10 returns a valid logic 1 and the majority of the next RT8, RT9, and RT10 samples returns a valid logic 0).

To locate the start bit, data recovery logic does an asynchronous search for a logic 0 preceded by three logic 1s. When the falling edge of a possible start bit occurs, the RT clock begins to count to 16.

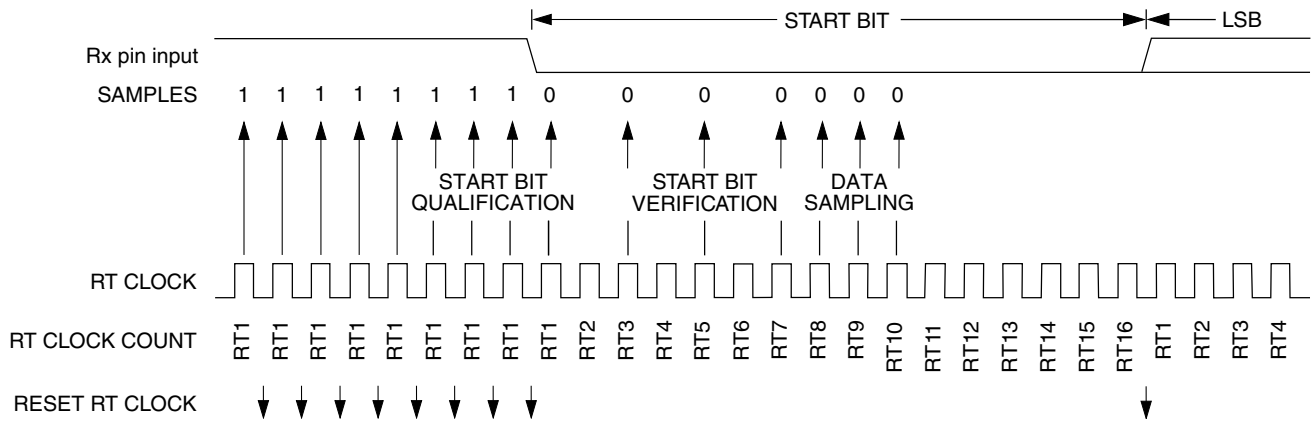


Figure 38-3. Receiver data sampling

To verify the start bit and to detect noise, data recovery logic takes samples at RT3, RT5, and RT7 when C7816[ISO_7816E] is cleared/disabled and RT8, RT9 and RT10 when C7816[ISO_7816E] is set/enabled. The following table summarizes the results of the start bit verification samples.

Table 38-4. Start bit verification

RT3, RT5, and RT7 samples RT8, RT9, RT10 samples when 7816E	Start bit verification	Noise flag
000	Yes	0
001	Yes	1
010	Yes	1
011	No	0
100	Yes	1
101	No	0
110	No	0
111	No	0

If start bit verification is not successful, the RT clock is reset and a new search for a start bit begins.

To determine the value of a data bit and to detect noise, recovery logic takes samples at RT8, RT9, and RT10. The following table summarizes the results of the data bit samples.

Table 38-5. Data bit recovery

RT8, RT9, and RT10 samples	Data bit determination	Noise flag
000	0	0
001	0	1
010	0	1
011	1	1

Table continues on the next page...

Table 38-5. Data bit recovery (continued)

RT8, RT9, and RT10 samples	Data bit determination	Noise flag
100	0	1
101	1	1
110	1	1
111	1	0

Note

The RT8, RT9, and RT10 samples do not affect start bit verification. If any or all of the RT8, RT9, and RT10 start bit samples are logic 1s following a successful start bit verification, the noise flag (S1[NF]) is set and the receiver assumes that the bit is a start bit (logic 0). With the exception of when C7816[ISO_7816E] is set/enabled, where the values of RT8, RT9 and RT10 exclusively determine if a start bit exists.

To verify a stop bit and to detect noise, recovery logic takes samples at RT8, RT9, and RT10. The following table summarizes the results of the stop bit samples. In the event that C7816[ISO_7816E] is set/enabled and C7816[TTYPE] = 0, verification of a stop bit does not take place. Rather, starting with RT8 the receiver transmits a NACK as programmed until time RT9 of the following time period. Framing Error detection is not supported when C7816[ISO_7816E] is set/enabled.

Table 38-6. Stop bit recovery

RT8, RT9, and RT10 samples	Framing error flag	Noise flag
000	1	0
001	1	1
010	1	1
011	0	1
100	1	1
101	0	1
110	0	1
111	0	0

In the following figure, the verification samples RT3 and RT5 determine that the first low detected was noise and not the beginning of a start bit. In this example C7816[ISO_7816E] = 0. The RT clock is reset and the start bit search begins again. The noise flag is not set because the noise occurred before the start bit was found.

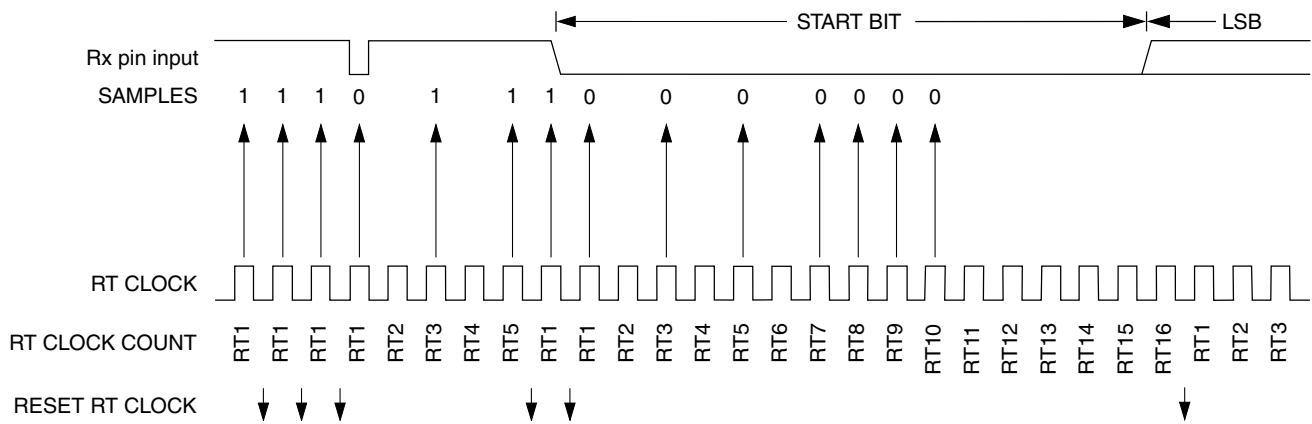


Figure 38-4. Start bit search example 1 (C7816[ISO_7816E] = 0)

In the following figure, verification sample at RT3 is high. In this example C7816[ISO_7816E] = 0. The RT3 sample sets the noise flag. Although the perceived bit time is misaligned, the data samples RT8, RT9, and RT10 are within the bit time and data recovery is successful.

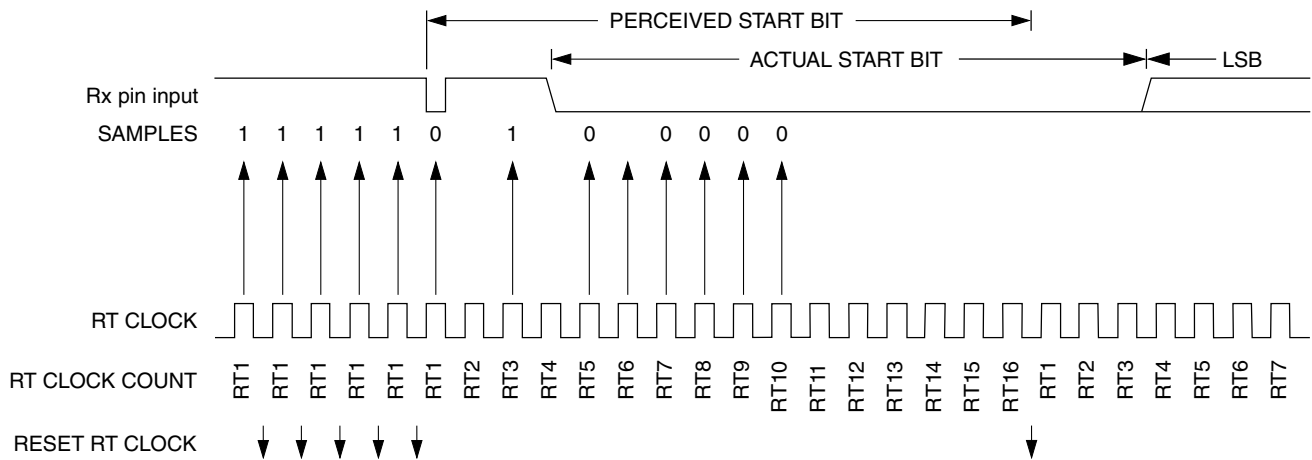


Figure 38-5. Start bit search example 2 (C7816[ISO_7816E] = 0)

In the following figure, a large burst of noise is perceived as the beginning of a start bit, although the test sample at RT5 is high. In this example C7816[ISO_7816E] = 0. The RT5 sample sets the noise flag. Although this is a worst-case misalignment of perceived bit time, the data samples RT8, RT9, and RT10 are within the bit time and data recovery is successful.

Functional description

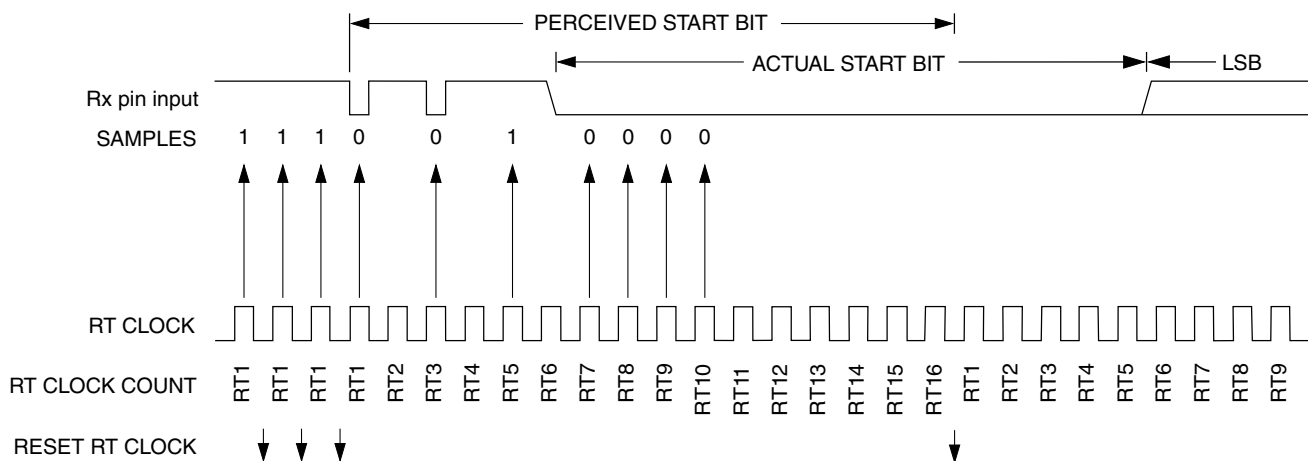


Figure 38-6. Start bit search example 3 (C7816[ISO_7816E] = 0)

The following figure shows the effect of noise early in the start bit time. In this example C7816[ISO_7816E] = 0. Although this noise does not affect proper synchronization with the start bit time, it does set the noise flag.

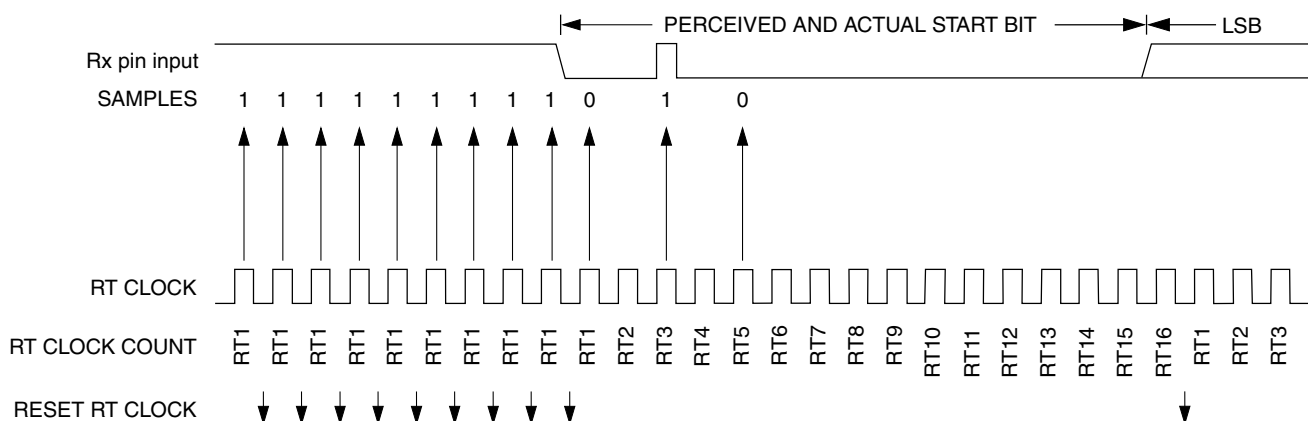


Figure 38-7. Start bit search example 4 (C7816[ISO_7816E] = 0)

The following figure shows a burst of noise near the beginning of the start bit that resets the RT clock. In this example C7816[ISO_7816E] = 0. The sample after the reset is low but is not preceded by three high samples that would qualify as a falling edge. Depending on the timing of the start bit search and on the data, the frame may be missed entirely or it may set the framing error flag.

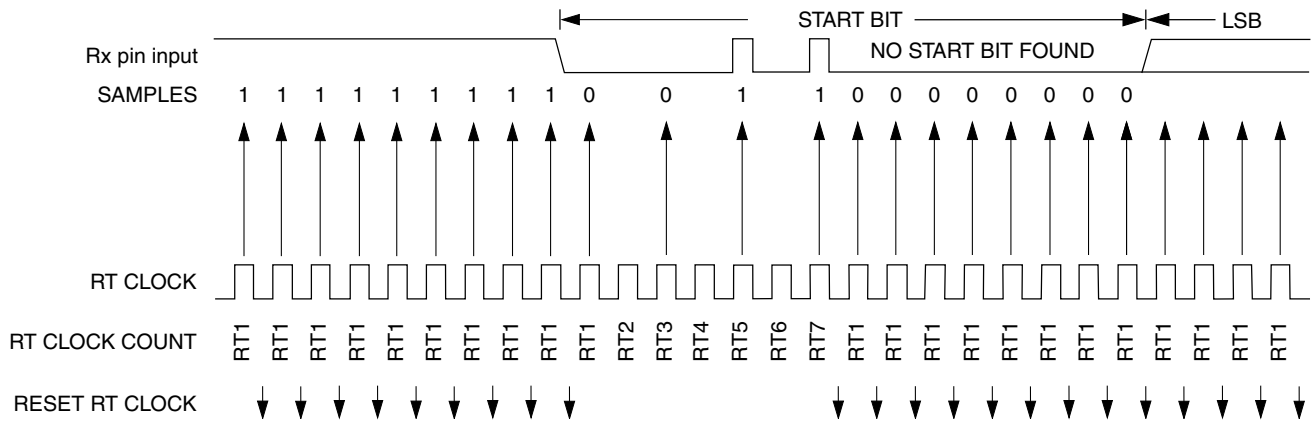


Figure 38-8. Start bit search example 5 (C7816[ISO_7816E] = 0)

In the following figure, a noise burst makes the majority of data samples RT8, RT9, and RT10 high. In this example C7816[ISO_7816E] = 0. This sets the noise flag but does not reset the RT clock. In start bits only, the RT8, RT9, and RT10 data samples are ignored. In this example, if C7816[ISO_7816E] = 1 then a start bit would not have been detected at all since at least two of the three samples (RT8, RT9, RT10) were high.

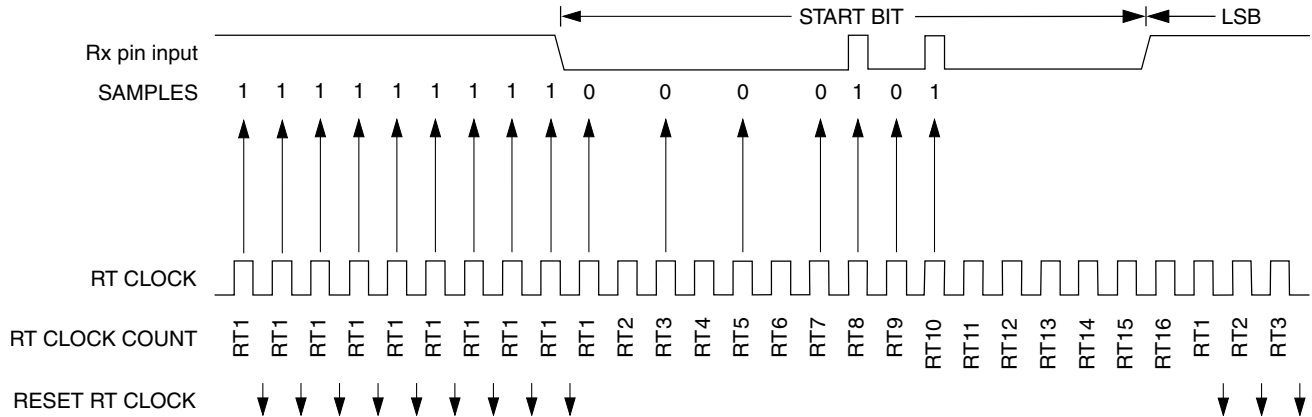


Figure 38-9. Start bit search example 6

38.5.2.5 Framing errors

If the data recovery logic does not detect a logic 1 where the stop bit should be in an incoming frame, it sets the framing error flag, S1[FE]. A break character also sets the S1[FE] because a break character has no stop bit. S1[FE] is set at the same time that received data is placed in the receive data buffer. Framing errors are not supported when C7816[ISO7816E] is set/enabled. However, if S1[FE] is set, data will not be received when C7816[ISO7816E] is set.

38.5.2.6 Receiving break characters

The UART recognizes a break character when a start bit is followed by eight, nine, or ten logic 0 data bits and a logic 0 where the stop bit should be. Receiving a break character has these effects on UART registers:

- Sets the framing error flag, S1[FE].
- Writes an all 0 dataword to the data buffer, which may cause S1[RDRF] to set, depending on the watermark and number of values in the data buffer.
- May set the overrun flag, S1[OR], noise flag, S1[NF], parity error flag, S1[PE], or the receiver active flag, S2[RAF].

The UART break character detection threshold depends on C1[M], C1[PE] and C4[M10]. See the following table.

Table 38-7. Receive break character detection threshold

M	M10	PE	Threshold (bits)
0	—	—	10
1	0	—	11
1	1	1	12

Break characters are not detected or supported when C7816[ISO_7816E] is set/enabled.

38.5.2.7 Baud rate tolerance

A transmitting device may be operating at a baud rate below or above the receiver baud rate. Accumulated bit time misalignment can cause one of the three stop bit data samples (RT8, RT9, and RT10) to fall outside the actual stop bit. A noise error will occur if the RT8, RT9, and RT10 samples are not all the same logical values. A framing error will occur if the receiver clock is misaligned in such a way that the majority of the RT8, RT9, and RT10 stop bit samples are a logic 0.

As the receiver samples an incoming frame, it resynchronizes the RT clock on any valid falling edge within the frame. Resynchronization within frames corrects a misalignment between transmitter bit times and receiver bit times.

38.5.2.7.1 Slow data tolerance

The following figure shows how much a slow received frame can be misaligned without causing a noise error or a framing error. The slow stop bit begins at RT8 instead of RT1 but arrives in time for the stop bit data samples at RT8, RT9, and RT10.

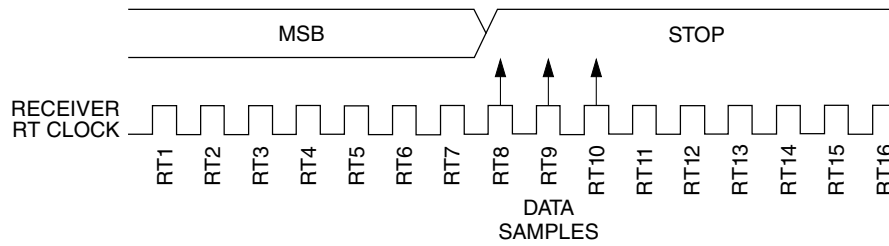


Figure 38-10. Slow data

For an 8-bit data character, data sampling of the stop bit takes the receiver 154 RT cycles (9 bit times × 16 RT cycles + 10 RT cycles).

With the misaligned character shown in the [Figure 38-10](#), the receiver counts 154 RT cycles at the point when the count of the transmitting device is 147 RT cycles (9 bit times × 16 RT cycles + 3 RT cycles).

The maximum percent difference between the receiver count and the transmitter count of a slow 8-bit data character with no errors is:

$$((154 - 147) \div 154) \times 100 = 4.54\%$$

For a 9-bit data character, data sampling of the stop bit takes the receiver 170 RT cycles (10 bit times × 16 RT cycles + 10 RT cycles).

With the misaligned character shown in the [Figure 38-10](#), the receiver counts 170 RT cycles at the point when the count of the transmitting device is 163 RT cycles (10 bit times × 16 RT cycles + 3 RT cycles).

The maximum percent difference between the receiver count and the transmitter count of a slow 9-bit character with no errors is:

$$((170 - 163) \div 170) \times 100 = 4.12\%$$

38.5.2.7.2 Fast data tolerance

The following figure shows how much a fast received frame can be misaligned. The fast stop bit ends at RT10 instead of RT16 but is still sampled at RT8, RT9, and RT10.

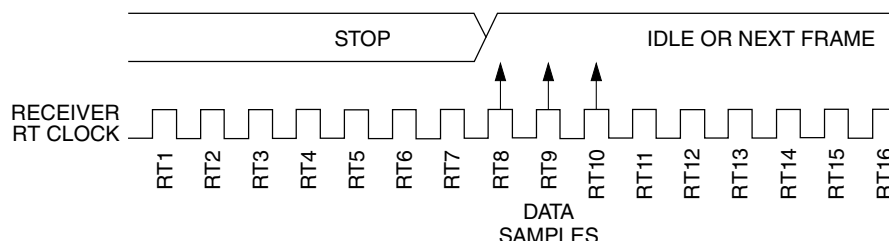


Figure 38-11. Fast data

Functional description

For an 8-bit data character, data sampling of the stop bit takes the receiver 154 RT cycles (9 bit times \times 16 RT cycles + 10 RT cycles).

With the misaligned character shown in the [Figure 38-11](#), the receiver counts 154 RT cycles at the point when the count of the transmitting device is 160 RT cycles (10 bit times \times 16 RT cycles).

The maximum percent difference between the receiver count and the transmitter count of a fast 8-bit character with no errors is:

$$((154 - 160) \div 154) \times 100 = 3.90\%$$

For a 9-bit data character, data sampling of the stop bit takes the receiver 170 RT cycles (10 bit times \times 16 RT cycles + 10 RT cycles).

With the misaligned character shown in the [Figure 38-11](#), the receiver counts 170 RT cycles at the point when the count of the transmitting device is 176 RT cycles (11 bit times \times 16 RT cycles).

The maximum percent difference between the receiver count and the transmitter count of a fast 9-bit character with no errors is:

$$((170 - 176) \div 170) \times 100 = 3.53\%$$

38.5.2.8 Receiver wakeup

C1[WAKE] determines how the UART is brought out of the standby state to process an incoming message. C1[WAKE] enables either idle line wakeup or address mark wakeup.

Receiver wakeup is not supported when C7816[ISO_7816E] is set/enabled because multi-receiver systems are not allowed.

38.5.2.8.1 Idle input line wakeup (C1[WAKE] = 0)

In this wakeup method, an idle condition on the unsynchronized receiver input signal clears C2[RWU] and wakes the UART. The initial frame or frames of every message contain addressing information. All receivers evaluate the addressing information, and receivers for which the message is addressed process the frames that follow. Any receiver for which a message is not addressed can set its C2[RWU] and return to the standby state. C2[RWU] remains set and the receiver remains in standby until another idle character appears on the unsynchronized receiver input signal.

Idle line wakeup requires that messages be separated by at least one idle character and that no message contains idle characters.

When C2[RWU] is 1 and S2[RWUID] is 0, the idle character that wakes the receiver does not set S1[IDLE] or the receive data register full flag, S1[RDRF]. The receiver wakes and waits for the first data character of the next message which is stored in the receive data buffer. When S2[RWUID] and C2[RWU] are set and C1[WAKE] is cleared, any idle condition sets S1[IDLE] and generates an interrupt if enabled.

Idle input line wakeup is not supported when C7816[ISO_7816E] is set/enabled.

38.5.2.8.2 Address mark wakeup (C1[WAKE] = 1)

In this wakeup method, a logic 1 in the bit position immediately preceding the stop bit of a frame clears C2[RWU] and wakes the UART. A logic 1 in the bit position immediately preceding the stop bit marks a frame as an address frame that contains addressing information. All receivers evaluate the addressing information, and the receivers for which the message is addressed process the frames that follow. Any receiver for which a message is not addressed can set its C2[RWU] and return to the standby state. C2[RWU] remains set and the receiver remains in standby until another address frame appears on the unsynchronized receiver input signal.

A logic 1 in the bit position immediately preceding the stop bit clears the receiver's C2[RWU] after the stop bit is received and places the received data into the receiver data buffer. Note that if Match Address operation is enabled i.e. C4[MAEN1] or C4[MAEN2] is set, then received frame is transferred to receive buffer only if the comparison matches.

Address mark wakeup allows messages to contain idle characters but requires that the bit position immediately preceding the stop bit be reserved for use in address frames.

If module is in standby mode and nothing triggers to wake the UART, no error flag is set even if an invalid error condition is detected on the receiving data line.

Address mark wakeup is not supported when C7816[ISO_7816E] is set/enabled.

38.5.2.8.3 Match address operation

Match address operation is enabled when C4[MAEN1] or C4[MAEN2] is set. In this function, a frame received by the RX pin with a logic 1 in the bit position of the address mark is considered an address and is compared with the associated MA1 or MA2 register. The frame is transferred to the receive buffer, and S1[RDRF] is set, only if the comparison matches. All subsequent frames received with a logic 0 in the bit position of the address mark are considered to be data associated with the address and are transferred to the receive data buffer. If no marked address match occurs, then no transfer is made to the receive data buffer, and all following frames with logic 0 in the bit position of the address mark are also discarded. If both C4[MAEN1] and C4[MAEN2] are negated, the receiver operates normally and all data received is transferred to the receive data buffer.

Match address operation functions in the same way for both MA1 and MA2 registers. Note that the position of the address mark is the same as the Parity Bit when parity is enabled for 8 bit and 9 bit data formats.

- If only one of C4[MAEN1] and C4[MAEN2] is asserted, a marked address is compared only with the associated match register and data is transferred to the receive data buffer only on a match.
- If C4[MAEN1] and C4[MAEN2] are asserted, a marked address is compared with both match registers and data is transferred only on a match with either register.

Address match operation is not supported when C7816[ISO_7816E] is set/enabled.

38.5.3 Baud rate generation

A 13-bit modulus counter and a 5-bit fractional fine-adjust counter in the baud rate generator derive the baud rate for both the receiver and the transmitter. The value from 1 to 8191 written to SBR[12:0] determines the module clock divisor. The SBR bits are in the UART baud rate registers, BDH and BDL. The baud rate clock is synchronized with the module clock and drives the receiver. The fractional fine-adjust counter adds fractional delays to the baud rate clock to allow fine trimming of the baud rate to match the system baud rate. The transmitter is driven by the baud rate clock divided by 16. The receiver has an acquisition rate of 16 samples per bit time.

Baud rate generation is subject to two sources of error:

- Integer division of the module clock may not give the exact target frequency. This error can be reduced with the fine-adjust counter.
- Synchronization with the module clock can cause phase shift.

The [Table 38-8](#) lists the available baud divisor fine adjust values.

$$\text{UART baud rate} = \text{UART module clock} / (16 \times (\text{SBR}[12:0] + \text{BRFD}))$$

The following table lists some examples of achieving target baud rates with a module clock frequency of 10.2 MHz, with and without fractional fine adjustment.

Table 38-8. Baud rates (example: module clock = 10.2 MHz)

Bits SBR (decimal)	Bits BRFA	BRFD value	Receiver clock (Hz)	Transmitter clock (Hz)	Target Baud rate	Error (%)
17	00000	0	600,000.0	37,500.0	38,400	2.3

Table continues on the next page...

Table 38-8. Baud rates (example: module clock = 10.2 MHz) (continued)

Bits SBR (decimal)	Bits BRFA	BRFD value	Receiver clock (Hz)	Transmitter clock (Hz)	Target Baud rate	Error (%)
16	10011	$19/32=0.59375$	614,689.3	38,418.08	38,400	0.047
33	00000	0	309,090.9	19,318.2	19,200	0.62
33	00110	$6/32=0.1875$	307,344.6	19,209.04	19,200	0.047
66	00000	0	154,545.5	9659.1	9600	0.62
133	00000	0	76,691.7	4793.2	4800	0.14
266	00000	0	38,345.9	2396.6	2400	0.14
531	00000	0	19,209.0	1200.6	1200	0.11
1062	00000	0	9604.5	600.3	600	0.05
2125	00000	0	4800.0	300.0	300	0.00
4250	00000	0	2400.0	150.0	150	0.00
5795	00000	0	1760.1	110.0	110	0.00

Table 38-9. Baud rate fine adjust

BRFA	Baud Rate Fractional Divisor (BRFD)
0 0 0 0 0	$0/32 = 0$
0 0 0 0 1	$1/32 = 0.03125$
0 0 0 1 0	$2/32 = 0.0625$
0 0 0 1 1	$3/32 = 0.09375$
0 0 1 0 0	$4/32 = 0.125$
0 0 1 0 1	$5/32 = 0.15625$
0 0 1 1 0	$6/32 = 0.1875$
0 0 1 1 1	$7/32 = 0.21875$
0 1 0 0 0	$8/32 = 0.25$
0 1 0 0 1	$9/32 = 0.28125$
0 1 0 1 0	$10/32 = 0.3125$
0 1 0 1 1	$11/32 = 0.34375$
0 1 1 0 0	$12/32 = 0.375$
0 1 1 0 1	$13/32 = 0.40625$
0 1 1 1 0	$14/32 = 0.4375$
0 1 1 1 1	$15/32 = 0.46875$
1 0 0 0 0	$16/32 = 0.5$
1 0 0 0 1	$17/32 = 0.53125$
1 0 0 1 0	$18/32 = 0.5625$
1 0 0 1 1	$19/32 = 0.59375$
1 0 1 0 0	$20/32 = 0.625$
1 0 1 0 1	$21/32 = 0.65625$

Table continues on the next page...

Table 38-9. Baud rate fine adjust (continued)

BRFA	Baud Rate Fractional Divisor (BRFD)
1 0 1 1 0	$22/32 = 0.6875$
1 0 1 1 1	$23/32 = 0.71875$
1 1 0 0 0	$24/32 = 0.75$
1 1 0 0 1	$25/32 = 0.78125$
1 1 0 1 0	$26/32 = 0.8125$
1 1 0 1 1	$27/32 = 0.84375$
1 1 1 0 0	$28/32 = 0.875$
1 1 1 0 1	$29/32 = 0.90625$
1 1 1 1 0	$30/32 = 0.9375$
1 1 1 1 1	$31/32 = 0.96875$

38.5.4 Data format (non ISO-7816)

Each data character is contained in a frame that includes a start bit and a stop bit. The rest of the data format depends upon C1[M], C1[PE], S2[MSBF] and C4[M10].

38.5.4.1 Eight-bit configuration

Clearing C1[M] configures the UART for 8-bit data characters, that is, eight bits are memory mapped in D. A frame with eight data bits has a total of 10 bits. The most significant bit of the eight data bits can be used as an address mark to wake the receiver. If the most significant bit is used in this way, then it serves as an address or data indication, leaving the remaining seven bits as actual data. When C1[PE] is set, the eighth data bit is automatically calculated as the parity bit. See the following table.

Table 38-10. Configuration of 8-bit data format

UART_C1[PE]	Start bit	Data bits	Address bits	Parity bits	Stop bit
0	1	8	0	0	1
0	1	7	1 ¹	0	1
1	1	7	0	1	1

1. The address bit identifies the frame as an address character. See [Receiver wakeup](#).

38.5.4.2 Nine-bit configuration

When C1[M] is set and C4[M10] is cleared, the UART is configured for 9-bit data characters. If C1[PE] is enabled, the ninth bit is either C3[T8/R8] or the internally generated parity bit. This results in a frame consisting of a total of 11 bits. In the event that the ninth data bit is selected to be C3[T8], it will remain unchanged after transmission and can be used repeatedly without rewriting it, unless the value needs to be changed. This feature may be useful when the ninth data bit is being used as an address mark.

When C1[M] and C4[M10] are set, the UART is configured for 9-bit data characters, but the frame consists of a total of 12 bits. The 12 bits include the start and stop bits, the 9 data character bits, and a tenth internal data bit. Note that if C4[M10] is set, C1[PE] must also be set. In this case, the tenth bit is the internally generated parity bit. The ninth bit can either be used as an address mark or a ninth data bit.

See the following table.

Table 38-11. Configuration of 9-bit data formats

C1[PE]	UC1[M]	C1[M10]	Start bit	Data bits	Address bits	Parity bits	Stop bit
0	0	0	See Eight-bit configuration				
0	0	1	Invalid configuration				
0	1	0	1	9	0	0	1
0	1	0	1	8	1 ¹	0	1
0	1	1	Invalid Configuration				
1	0	0	See Eight-bit configuration				
1	0	1	Invalid Configuration				
1	1	0	1	8	0	1	1
1	1	1	1	9	0	1	1
1	1	1	1	8	1 ¹	1	1

1. The address bit identifies the frame as an address character.

Note

Unless in 9-bit mode with M10 set, do not use address mark wakeup with parity enabled.

38.5.4.3 Timing examples

Timing examples of these configurations in the NRZ mark/space data format are illustrated in the following figures. The timing examples show all of the configurations in the following sub-sections along with the LSB and MSB first variations.

38.5.4.3.1 Eight-bit format with parity disabled

The most significant bit can be used for address mark wakeup.



Figure 38-12. Eight bits of data with LSB first

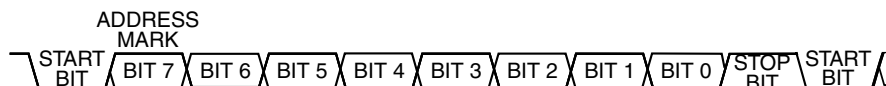


Figure 38-13. Eight bits of data with MSB first

38.5.4.3.2 Eight-bit format with parity enabled

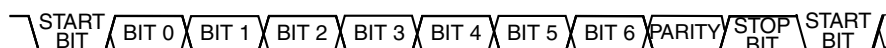


Figure 38-14. Seven bits of data with LSB first and parity



Figure 38-15. Seven bits of data with MSB first and parity

38.5.4.3.3 Nine-bit format with parity disabled

The most significant bit can be used for address mark wakeup.



Figure 38-16. Nine bits of data with LSB first



Figure 38-17. Nine bits of data with MSB first

38.5.4.3.4 Nine-bit format with parity enabled

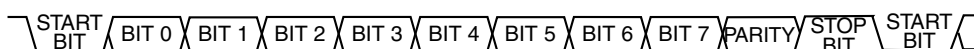


Figure 38-18. Eight bits of data with LSB first and parity

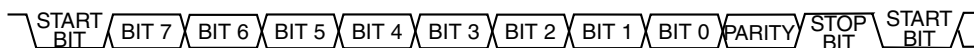


Figure 38-19. Eight bits of data with MSB first and parity

38.5.4.3.5 Non-memory mapped tenth bit for parity

The most significant memory-mapped bit can be used for address mark wakeup.



Figure 38-20. Nine bits of data with LSB first and parity



Figure 38-21. Nine bits of data with MSB first and parity

38.5.5 Single-wire operation

Normally, the UART uses two pins for transmitting and receiving. In single wire operation, the RXD pin is disconnected from the UART and the UART implements a half-duplex serial connection. The UART uses the TXD pin for both receiving and transmitting.

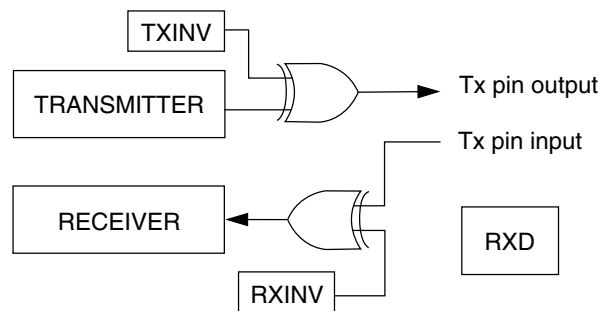


Figure 38-22. Single-wire operation (C1[LOOPS] = 1, C1[RSRC] = 1)

Enable single wire operation by setting C1[LOOPS] and the receiver source field, C1[RSRC]. Setting C1[LOOPS] disables the path from the unsynchronized receiver input signal to the receiver. Setting C1[RSRC] connects the receiver input to the output of the TXD pin driver. Both the transmitter and receiver must be enabled (C2[TE] = 1 and C2[RE] = 1). When C7816[ISO_7816EN] is set, it is not required that both C2[TE] and C2[RE] are set.

38.5.6 Loop operation

In loop operation, the transmitter output goes to the receiver input. The unsynchronized receiver input signal is disconnected from the UART.

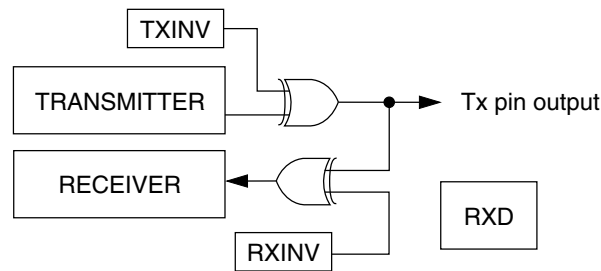


Figure 38-23. Loop operation (C1[LOOPS] = 1, C1[RSRC] = 0)

Enable loop operation by setting C1[LOOPS] and clearing C1[RSRC]. Setting C1[LOOPS] disables the path from the unsynchronized receiver input signal to the receiver. Clearing C1[RSRC] connects the transmitter output to the receiver input. Both the transmitter and receiver must be enabled (C2[TE] = 1 and C2[RE] = 1). When C7816[ISO_7816EN] is set, it is not required that both C2[TE] and C2[RE] are set.

38.5.7 ISO-7816/smartcard support

The UART provides mechanisms to support the ISO-7816 protocol that is commonly used to interface with smartcards. The ISO-7816 protocol is an NRZ, single wire, half-duplex interface. The TxD pin is used in open-drain mode because the data signal is used for both transmitting and receiving. There are multiple subprotocols within the ISO-7816 standard. The UART supports both T = 0 and T = 1 protocols. The module also provides for automated initial character detection and configuration, which allows for support of both direct convention and inverse convention data formats. A variety of interrupts specific to 7816 are provided in addition to the general interrupts to assist software. Additionally, the module is able to provide automated NACK responses and has programmed automated retransmission of failed packets. An assortment of programmable timeouts and guard band times are also supported.

The term elemental time unit (ETU) is frequently used in the context of ISO-7816. This concept is used to relate the frequency that the system (UART) is running at and the frequency that data is being transmitted and received. One ETU represents the time it takes to transmit or receive a single bit. For example, a standard 7816 packet, excluding any guard time or NACK elements is 10 ETUs (start bit, 8 data bits, and a parity bit). Guard times and wait times are also measured in ETUs.,

NOTE

The ISO-7816 specification may have certain configuration options that are reserved. To maintain maximum flexibility to support future 7816 enhancements or devices that may not strictly conform to the specification, the UART does not prevent those options being used. Further, the UART may

provide configuration options that exceed the flexibility of options explicitly allowed by the 7816 specification. Failure to correctly configure the UART may result in unexpected behavior or incompatibility with the ISO-7816 specification.

38.5.7.1 Initial characters

In ISO-7816 with T = 0 mode, the UART can be configured to use C7816[INIT] to detect the next valid initial character, referred to by the ISO-7816 specifically as a TS character. When the initial character is detected, the UART provides the host processor with an interrupt if IE7816[INITDE] is set. Additionally, the UART will alter S2[MSBF], C3[TXINV], and S2[RXINV] automatically, based on the initial character. The corresponding initial character and resulting register settings are listed in the following table.

Table 38-12. Initial character automated settings

Initial character (bit 1-10)	Initial character (hex)	MSBF	TXINV	RXINV
LHHL LLL LLH inverse convention	3F	1	1	1
LHHL HHH LLH direct convention	3B	0	0	0

S2[MSBF], C3[TXINV], and S2[RXINV] must be reset to their default values before C7816[INIT] is set. Once C7816[INIT] is set, the receiver searches all received data for the first valid initial character. Detecting a Direct Convention Initial Character will cause no change to S2[MSBF], C3[TXINV], and S2[RXINV], while detecting an Inverse Convention Initial Character will cause these fields to set automatically. All data received, which is not a valid initial character, is ignored and all flags resulting from the invalid data are blocked from asserting. If C7816[ANACK] is set, a NACK is returned for invalid received initial characters and an RXT interrupt is generated as programmed.

38.5.7.2 Protocol T = 0

When T = 0 protocol is selected, a relatively complex error detection scheme is used. Data characters are formatted as illustrated in the following figure. This scheme is also used for answer to reset and Peripheral Pin Select (PPS) formats.

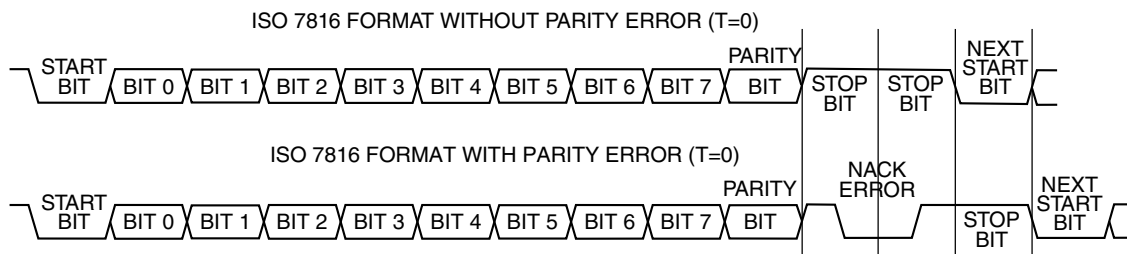


Figure 38-24. ISO-7816 T = 0 data format

As with other protocols supported by the UART, the data character includes a start bit. However, in this case, there are two stop bits rather than the typical single stop bit. In addition to a standard even parity check, the receiver has the ability to generate and return a NACK during the second half of the first stop bit period. The NACK must be at least one time period (ETU) in length and no more than two time periods (ETU) in length. The transmitter must wait for at least two time units (ETU) after detection of the error signal before attempting to retransmit the character.

It is assumed that the UART and the device (smartcard) know in advance which device is receiving and which is transmitting. No special mechanism is supplied by the UART to control receive and transmit in the mode other than C2[TE] and C2[RE]. Initial Character Detect feature is also supported in this mode.

38.5.7.3 Protocol T = 1

When T = 1 protocol is selected, the NACK error detection scheme is not used. Rather, the parity bit is used on a character basis and a CRC or LRC is used on the block basis, that is, for each group of characters. In this mode, the data format allows for a single stop bit although additional inactive bit periods may be present between the stop bit and the next start bit. Data characters are formatted as illustrated in the following figure.

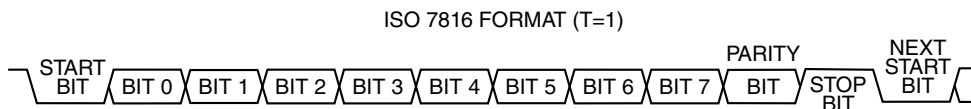


Figure 38-25. ISO 7816 T=1 data format

The smallest data unit that is transferred is a block. A block is made up of several data characters and may vary in size depending on the block type. The UART does not provide a mechanism to decode the block type. As part of the block, an LRC or CRC is included. The UART does not calculate the CRC or LRC for transmitted blocks, nor does it verify the validity of the CRC or LRC for received blocks. The 7816 protocol requires that the initiator and the smartcard (device) takes alternate turns in transmitting and receiving blocks. When the UART detects that the last character in a block has been transmitted it will automatically clear C2[TE], C3[TXDIR] and enter receive mode.

Therefore, the software must program the transmit buffer with the next data to be transmitted and then enable C2[TE] and set C3[TXDIR], once the software has determined that the last character of the received block has been received. The UART detects that the last character of the transmit block has been sent when TL7816[TLEN] = 0 and four additional characters have been sent. The four additional characters are made up of three prior to TL7816[TLEN] decrementing (prologue) and one after TL7816[TLEN] = 0, the final character of the epilogue.

38.5.7.4 Wait time and guard time parameters

The ISO-7816 specification defines several wait time and guard time parameters. The UART allows for flexible configuration and violation detection of these settings. On reset, the wait time (IS7816[WT]) defaults to 9600 ETUs and guard time (GT) to 12 ETUs. These values are controlled by parameters in the WP7816, WN7816, and WF7816 registers. Additionally, the value of C7816[TTYPER] also factors into the calculation. The formulae used to calculate the number ETUs for each wait time and guard time value are shown in [Table 38-13](#).

Wait time (WT) is defined as the maximum allowable time between the leading edge of a character transmitted by the smartcard device and the leading edge of the previous character that was transmitted by the UART or the device. Similarly, character wait time (CWT) is defined as the maximum allowable time between the leading edge of two characters within the same block. Block wait time (BWT) is defined as the maximum time between the leading edge character of the last block received by the smartcard device and the leading edge of the first character transmitted by the smartcard device.

Guard time (GT) is defined as the minimum allowable time between the leading edge of two consecutive characters. Character guard time (CGT) is the minimum allowable time between the leading edges of two consecutive characters in the same direction, that is, transmission or reception. Block guard time (BGT) is the minimum allowable time between the leading edges of two consecutive characters in opposite directions, that is, transmission then reception or reception then transmission.

The GT and WT counters reset whenever C7816[TTYPER] = 1 or C7816[ISO_7816E] = 0 or a new dataword start bit has been received or transmitted as specified by the counter descriptions. The CWT, CGT, BWT, BGT counters reset whenever C7816[TTYPER] = 0 or C7816[ISO_7816E] = 0 or a new dataword start bit is received or transmitted as specified by the counter descriptions. When C7816[TTYPER] = 1, some of the counter values require an assumption regarding the first data transferred when the UART first starts. This assumption is required when the 7816E is disabled, when transition from C7816[TTYPER] = 0 to C7816[TTYPER] = 1 or when coming out of reset. In this case, it is assumed that the previous non-existent transfer was a received transfer.

The UART will automatically handle GT, CGT, and BGT such that the UART will not send a packet before the corresponding guard time expiring.

Table 38-13. Wait and guard time calculations

Parameter	Reset value [ETU]	C7816[TTYPE] = 0 [ETU]	C7816[TTYPE] = 1 [ETU]
Wait time (WT)	9600	$WI \times 480$	Not used
Character wait time (CWT)	Not used	Not used	$2^{(CWI1)} + CWI2$
Block wait time (BWT)	Not used	Not used	$(11 + (BWI \times 960 \times GTFD)) * (WTX + 1)$
Guard time (GT)	12	GTN not equal to 255 $12 + GTN$ GTN equal to 255 12	Not used
Character guard time (CGT)	Not used	Not used	GTN not equal to 255 $12 + GTN$ GTN equal to 255 11
Block guard time (BGT)	Not used	Not used	$16 + BGI$

NOTE

- User must ensure that the Character Wait time (CWT) programmed using the formula above is atleast 12. Values smaller than 12 are invalid and will lead to unexpected CWT interrupts.
- The 16 bit Wait Time integer WI is formed by concatenation of {WP7816A_T0[WI_H], WP7816B_T0[WI_L]}.
- The 16 bit Block Wait Time integer BWI is formed by concatenation of {WP7816A_T1[BWI_H], WP7816B_T1[BWI_L]}.

38.5.7.5 ATR Duration Time Counter

The ISO-7816 specification defines a specific time (in etus) within which the terminal must receive the ATR (Answer to Reset), failing which the terminal must abort the card session by initiating the deactivation sequence.

UART supports this in hardware via the ATR Duration Time (ATD) Counter which can be programmed using AP7816a_T0 and AP7816b_T0 registers. The value loaded into the ADT (ATR Duration Time) counter is given by the concatenation of the register fields as

shown; $ADT = \{AP7816a_T0[ADTI_H], AP7816a_T0[ADTI_L]\}$. This counter begins to count on detection of the TS character which is detected when IS7816[INITD] flag is set. Once the ATR process is completed, the ATD Counter must be disabled by writing 0 to AP7816x_T0 registers, in order to prevent the false occurrence of the ATD Duration Time interrupt IS7816[ATD]. Note that this feature is only supported in T = 0 mode.

NOTE

The ADT counter starts counting on detection of the complete TS Character. It must be noted that by this time, exactly 10 ETUs have elapsed since the start bit of the TS character. The user must take this into account while programming AP7816a_T0 and AP7816b_T0 registers.

38.5.7.6 Baud rate generation

The value in WF7816[GTFD] does not impact the clock frequency. SBR and BRFD are used to generate the clock frequency. This clock frequency is used by the UART only and is not seen by the smartcard device. The transmitter clocks operates at 1/16 the frequency of the receive clock so that the receiver is able to sample the received value 16 times during the ETU.

38.5.7.7 UART restrictions in ISO-7816 operation

Due to the flexibility of the UART module, there are several features and interrupts that are not supported while running in ISO-7816 mode. These restrictions are documented within the register field definitions.

38.6 Reset

All registers reset to a particular value are indicated in [Memory map and registers](#).

38.7 System level interrupt sources

There are several interrupt signals that are sent from the UART. The following table lists the interrupt sources generated by the UART. The local enables for the UART interrupt sources are described in this table. Details regarding the individual operation of each interrupt are contained under various sub-sections of [Memory map and registers](#).

However, [RXEDGIF description](#) also outlines additional details regarding the RXEDGIF interrupt because of its complexity of operation. Any of the UART interrupt requests listed in the table can be used to bring the CPU out of Wait mode.

Table 38-14. UART interrupt sources

Interrupt Source	Flag	Local enable	DMA select
Transmitter	TDRE	TIE	TDMAS = 0
Transmitter	TC	TCIE	-
Receiver	IDLE	ILIE	-
Receiver	RDRF	RIE	RDMAS = 0
Receiver	RXEDGIF	RXEDGIE	-
Receiver	OR	ORIE	-
Receiver	NF	NEIE	-
Receiver	FE	FEIE	-
Receiver	PF	PEIE	-
Receiver	WT	WTWE	-
Receiver	CWT	CWTE	-
Receiver	BWT	BWTE	-
Receiver	INITD	INITDE	-
Receiver	TXT	TXTE	-
Receiver	RXT	RXTE	-
Receiver	GTV	GTVE	-

38.7.1 RXEDGIF description

S2[RXEDGIF] is set when an active edge is detected on the RxD pin. Therefore, the active edge can be detected only when in two wire mode. A RXEDGIF interrupt is generated only when S2[RXEDGIF] is set. If RXEDGIE is not enabled before S2[RXEDGIF] is set, an interrupt is not generated.

38.7.1.1 RxD edge detect sensitivity

Edge sensitivity can be software programmed to be either falling or rising. The polarity of the edge sensitivity is selected using S2[RXINV]. To detect the falling edge, S2[RXINV] is programmed to 0. To detect the rising edge, S2[RXINV] is programmed to 1.

Synchronizing logic is used prior to detect edges. Prior to detecting an edge, the receive data on RxD input must be at the deasserted logic level. A falling edge is detected when the RxD input signal is seen as a logic 1 (the deasserted level) during one module clock

cycle, and then a logic 0 (the asserted level) during the next cycle. A rising edge is detected when the input is seen as a logic 0 during one module clock cycle and then a logic 1 during the next cycle.

38.7.1.2 Clearing RXEDGIF interrupt request

Writing a logic 1 to S2[RXEDGIF] immediately clears the RXEDGIF interrupt request even if the RxD input remains asserted. S2[RXEDGIF] remains set if another active edge is detected on RxD while attempting to clear S2[RXEDGIF] by writing a 1 to it.

38.7.1.3 Exit from low-power modes

The receive input active edge detect circuit is still active on low power modes (Wait and Stop). An active edge on the receive input brings the CPU out of low power mode if the interrupt is not masked (S2[RXEDGIF] = 1).

38.8 DMA operation

In the transmitter, S1[TDRE] can be configured to assert a DMA transfer request. In the receiver, S1[RDRF], can be configured to assert a DMA transfer request. The following table shows the configuration field settings required to configure each flag for DMA operation.

Table 38-15. DMA configuration

Flag	Request enable bit	DMA select bit
TDRE	TIE = 1	TDMAS = 1
RDRF	RIE = 1	RDMAS = 1

When a flag is configured for a DMA request, its associated DMA request is asserted when the flag is set. When S1[RDRF] is configured as a DMA request, the clearing mechanism of reading S1, followed by reading D, does not clear the associated flag. The DMA request remains asserted until an indication is received that the DMA transactions are done. When this indication is received, the flag bit and the associated DMA request is cleared. If the DMA operation failed to remove the situation that caused the DMA request, another request is issued.

38.9 Application information

This section describes the UART application information.

38.9.1 ISO-7816 initialization sequence

This section outlines how to program the UART for ISO-7816 operation. Elements such as procedures to power up or power down the smartcard, and when to take those actions, are beyond the scope of this description. To set up the UART for ISO-7816 operation:

1. Select a baud rate. Write this value to the UART baud registers (BDH/L) to begin the baud rate generator. Remember that the baud rate generator is disabled when the baud rate is zero. Writing to the BDH has no effect without also writing to BDL. According to the 7816 specification the initial (default) baud rating setting should be $F_i = 372$ and $D_i = 1$ and a maximum frequency of 5 MHz. In other words, the BDH, BDL, and C4 registers should be programmed such that the transmission frequency provided to the smartcard device must be $1/372$ th of the clock and must not exceed 5 MHz.
2. Write to C1 to configure word length, parity, and other configuration fields (LOOPS, RSRC) and set $C1[M] = 1$, $C1[PE] = 1$, and $C1[PT] = 0$.
3. Write to set $S2[RWUID] = 0$
4. Write to set up interrupt enable fields desired ($C3[ORIE]$, $C3[NEIE]$, $C3[PEIE]$, and $C3[FEIE]$)
5. Write to set $C4[MAEN1] = 0$ and $C4[MAEN2] = 0$.
6. Write to C5 register and configure DMA control register fields as desired for application.
7. Write to set $C7816[INIT] = 1$, $C7816[TTYTYPE] = 0$, and $C7816[ISO_7816E] = 1$. Program $C7816[ONACK]$ and $C7816[ANACK]$ as desired.
8. Write to IE7816 to set interrupt enable parameters as desired.
9. Write to ET7816 and set as desired.
10. Write to set $C2[ILIE] = 0$, $C2[RE] = 1$, $C2[TE] = 1$, $C2[RWU] = 0$, and $C2[SBK] = 0$. Set up interrupt enables $C2[TIE]$, $C2[TCIE]$, and $C2[RIE]$ as desired.

At this time, the UART will start listening for an initial character. After being identified, it will automatically adjust S2[MSBF], C3[TXINV], and S2[RXINV]. The software must then receive and process an answer to reset. Upon processing the answer to reset, the software must write to set C2[RE] = 0 and C2[TE] = 0. The software should then adjust 7816 specific and UART generic parameters to match and configure data that was received during the answer on reset period. After the new settings have been programmed, including the new baud rate and C7816[TTYTYPE], C2[RE] and C2[TE] can be reenabled as required.

38.9.1.1 Transmission procedure for (C7816[TTYTYPE] = 0)

When the protocol selected is C7816[TTYTYPE] = 0, it is assumed that the software has a prior knowledge of who should be transmitting and receiving. Therefore, no mechanism is provided for automated transmission/receipt control. The software must monitor S1[TDRE], or configure for an interrupt, and provide additional data for transmission, as appropriate. Additionally, software should set C2[TE] = 1 and control TXDIR whenever it is the UART's turn to transmit information. For ease of monitoring, it is suggested that only data be transmitted until the next receiver/transmit switchover is loaded into the transmit buffer.

38.9.1.2 Transmission procedure for (C7816[TTYTYPE] = 1)

When the protocol selected is C7816[TTYTYPE] = 1, data is transferred in blocks. Before starting a transmission, the software must write the size, in number of bytes, for the Information Field portion of the block into TLEN. If a CRC is being transmitted for the block, the value in TLEN must be one more than the size of the information field. The software must then set C2[TE] = 1 and C2[RE] = 1. The software must then monitor S1[TDRE]/interrupt and write the prologue, information, and epilogue field to the transmit buffer. TLEN automatically decrements, except for prologue bytes and the final epilogue byte. When the final epilogue byte has been transmitted, the UART automatically clears C2[TE] and C3[TXDIR] to 0, and the UART automatically starts capturing the response to the block that was transmitted. After the software has detected the receipt of the response, the transmission process must be repeated as needed with sufficient urgency to ensure that the block wait time and character wait times are not violated.

38.9.2 Initialization sequence (non ISO-7816)

To initiate a UART transmission:

1. Configure the UART.
 - a. Select a baud rate. Write this value to the UART baud registers (BDH/L) to begin the baud rate generator. Remember that the baud rate generator is disabled when the baud rate is zero. Writing to the BDH has no effect without also writing to BDL.
 - b. Write to C1 to configure word length, parity, and other configuration bits (LOOPS, RSRC, M, WAKE, ILT, PE, and PT). Write to C4, MA1, and MA2 to configure.
 - c. Enable the transmitter, interrupts, receiver, and wakeup as required, by writing to C2 (TIE, TCIE, RIE, ILIE, TE, RE, RWU, and SBK), S2 (MSBF and BRK13), and C3 (ORIE, NEIE, PEIE, and FEIE). A preamble or idle character is then shifted out of the transmitter shift register.
2. Transmit procedure for each byte.
 - a. Monitor S1[TDRE] by reading S1 or responding to the TDRE interrupt.
 - b. If the TDRE flag is set, or there is space in the transmit buffer, write the data to be transmitted to (C3[T8]/D). A new transmission will not result until data exists in the transmit buffer.
3. Repeat step 2 for each subsequent transmission.

Note

During normal operation, S1[TDRE] is set when the shift register is loaded with the next data to be transmitted from the transmit buffer. This occurs 9/16ths of a bit time after the start of the stop bit of the previous frame.

To separate messages with preambles with minimum idle line time, use this sequence between messages.

1. Write the last dataword of the first message to C3[T8]/D.
2. Wait for S1[TDRE] to go high, indicating the transfer of the last frame to the transmit shift register.
3. Queue a preamble by clearing and then setting C2[TE].
4. Write the first and subsequent datawords of the second message to C3[T8]/D.

38.9.3 Overrun (OR) flag implications

To be flexible, the overrun flag (OR) operates slightly differently depending on the mode of operation. There may be implications that need to be carefully considered. This section clarifies the behavior and the resulting implications. Regardless of mode, if a dataword is received while S1[OR] is set, S1[RDRF] and S1[IDLE] are blocked from asserting. If S1[RDRF] or S1[IDLE] were previously asserted, they will remain asserted until cleared.

38.9.3.1 Overrun operation

The assertion of S1[OR] indicates that a significant event has occurred. The assertion indicates that received data has been lost because there was a lack of room to store it in the data buffer. Therefore, while S1[OR] is set, no further data is stored in the data buffer until S1[OR] is cleared. This ensures that the application will be able to handle the overrun condition.

In most applications, because the total amount of lost data is known, the application will attempt to return the system to a known state. Before S1[OR] is cleared, all received data will be dropped. For this, the software does the following.

1. Remove data from the receive data buffer. This could be done by reading data from the data buffer and processing it.
2. Clear S1[OR].

Note that, in some applications, if an overrun event is responded to fast enough, the lost data can be recovered. For example, when C7816[ISO_7816E] is asserted, C7816[TTYTYPE]=1 and C7816[ONACK] = 1, the application may reasonably be able to determine whether the lost data will be resent by the device. In this scenario, flushing the receiver data buffer may not be required. Rather, if S1[OR] is cleared, the lost data may be resent and therefore may be recoverable.

38.9.4 Overrun NACK considerations

When C7816[ISO_7816E] is enabled and C7816[TTYTYPE] = 0, the retransmission feature of the 7816 protocol can be used to help avoid lost data when the data buffer overflows. Using C7816[ONACK], the module can be programmed to issue a NACK on an overflow event. Assuming that the smartcard device has implemented retransmission, the lost data will be retransmitted. While useful, there is a programming implication that may require special consideration. The need to transmit a NACK must be determined and committed to prior to the dataword being fully received. While the NACK is being

received, it is possible that the application code will read the data buffer such that sufficient room will be made to store the dataword that is being NACKed. Even if room has been made in the data buffer after the transmission of a NACK is completed, the received data will always be discarded as a result of an overflow and the ET7816[RXTHRESHOLD] value will be incremented by one. However, if sufficient space now exists to write the received data which was NACK'ed, S1[OR] will be blocked and kept from asserting.

38.9.5 Match address registers

The two match address registers allow a second match address function for a broadcast or general call address to the serial bus, as an example.

38.9.6 Clearing 7816 wait timer (WT, BWT, CWT) interrupts

The 7816 wait timer interrupts associated with IS7816[WT], IS7816[BWT], and IS7816[CWT] will automatically reassert if they are cleared and the wait time is still violated. This behavior is similar to most of the other interrupts on the UART. In most cases, if the condition that caused the interrupt to trigger still exists when the interrupt is cleared, then the interrupt will reassert. For example, consider the following scenario:

1. IS7816[WT] is programmed to assert after 9600 cycles of unresponsiveness.
2. The 9600 cycles pass without a response resulting in the WT interrupt asserting.
3. The IS7816[WT] is cleared at cycle 9700 by the interrupt service routine.
4. After the WT interrupt has been cleared, the smartcard remains unresponsive. At cycle 9701 the WT interrupt will be reasserted.

If the intent of clearing the interrupt is such that it does not reassert, the interrupt service routine must remove or clear the condition that originally caused the interrupt to assert prior to clearing the interrupt. There are multiple ways that this can be accomplished, including ensuring that an event that results in the wait timer resetting occurs, such as, the transmission of another packet.

38.9.7 Legacy and reverse compatibility considerations

Recent versions of the UART have added several new features. Whenever reasonably possible, reverse compatibility was maintained. However, in some cases this was either not feasible or the behavior was deemed as not intended. This section describes several differences to legacy operation that resulted from these recent enhancements. If

application code from previous versions is used, it must be reviewed and modified to take the following items into account. Depending on the application code, additional items that are not listed here may also need to be considered.

1. Various reserved registers and register bits are used, such as, MSFB and M10.
2. This module now generates an error when invalid address spaces are used.
3. While documentation indicated otherwise, in some cases it was possible for S1[IDLE] to assert even if S1[OR] was set.
4. Previously, when C2[RWU] was set (and WAKE = 0), the IDLE flag could reassert up to every bit period causing an interrupt and requiring the host processor to reassert C2[RWU]. This behavior has been modified. Now, when C2[RWU] is set (and WAKE = 0), at least one non-idle bit must be detected before an idle can be detected.

Chapter 39

FlexIO

39.1 Chip-specific FlexIO information

39.1.1 FlexIO Instantiation

This section summarize the features and module configurations of FlexIO

Amongst other features, the FlexIO module in this device supports:

1. Emulation in serial only communication protocols

39.1.2 FlexIO Trigger options

FlexIO has a selectable trigger input source controlled by FlexIO_TIMCTLn[TRGSEL] (4-bit field) to use for starting the counter and/or reloading the counter. The options available are shown in the following table

Table 39-1. FlexIO Trigger Options

FlexIO_TIMCTLn[TRGSEL] (4-bit field)	Selected source
0000	External trigger pin input (EXTRG_IN)
0001	CMP0 output
0010	Reserved
0011	Reserved
0100	PIT trigger 0
0101	PIT trigger 1
0110	Reserved
0111	Reserved
1000	TPM0 trigger
1001	TPM1 trigger
1010	TPM2 trigger

Table continues on the next page...

Table 39-1. FlexIO Trigger Options (continued)

FlexIO_TIMCTLn[TRGSEL] (4-bit field)	Selected source
1011	Reserved
1100	RTC alarm
1101	RTC seconds
1110	LPTMR trigger
1111	Reserved

39.2 Introduction

39.2.1 Overview

The FlexIO is a highly configurable module providing a wide range of functionality including:

- Emulation of a variety of serial communication protocols
- Flexible 16-bit timers with support for a variety of trigger, reset, enable and disable conditions

These functions are provided by the FlexIO while adhering to the following key objectives:

- Low software/CPU overhead: less overhead than software bit-banging, more overhead than dedicated peripheral IP.
- Area/Power efficient implementation: more efficient than integrating multiple peripherals for each desired protocol.

39.2.2 Features

The FlexIO module is capable of supporting a wide range of protocols including, but not limited to:

- UART
- I2C
- SPI
- I2S
- PWM/Waveform generation

The following key features are provided:

- Array of 32-bit shift registers with transmit, receive and data match modes
- Double buffered shifter operation for continuous data transfer
- Shifter concatenation to support large transfer sizes
- Automatic start/stop bit generation
- Interrupt, DMA or polled transmit/receive operation
- Programmable baud rates independent of bus clock frequency, with support for asynchronous operation during stop modes
- Highly flexible 16-bit timers with support for a variety of internal or external trigger, reset, enable and disable conditions

39.2.3 Block Diagram

The following diagram gives a high-level overview of the configuration of FlexIO timers and shifters.

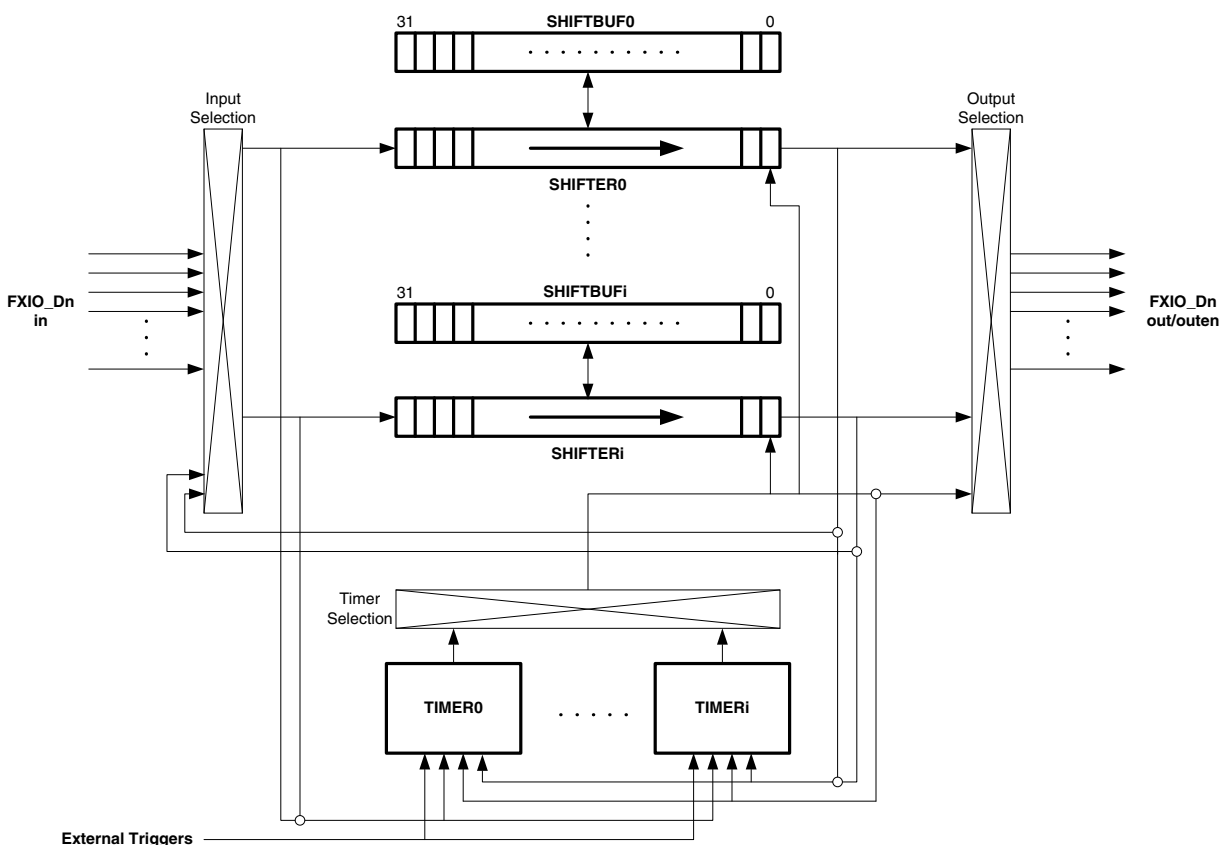


Figure 39-1. FlexIO block diagram

39.2.4 Modes of operation

The FlexIO module supports the chip modes described in the following table.

Table 39-2. Chip modes supported by the FlexIO module

Chip mode	FlexIO Operation
Run	Normal operation
Stop/Wait	Can continue operating provided the Doze Enable bit (CTRL[DOZEN]) is set and the FlexIO is using an external or internal clock source which remains operating during stop/wait modes.
Low Leakage Stop	The Doze Enable (CTRL[DOZEN]) bit is ignored and the FlexIO will wait for all Timers to complete any pending operation before acknowledging low leakage mode entry.
Debug	Can continue operating provided the Debug Enable bit (CTRL[DBGGE]) is set.

39.2.5 FlexIO Signal Descriptions

Signal	Description	I/O
FXIO_Dn (n=0...7)	Bidirectional FlexIO Shifter and Timer pin inputs/outputs	I/O

39.3 Memory Map and Registers

FLEXIO memory map

Absolute address (hex)	Register name	Width (in bits)	Access	Reset value	Section/page
4005_F000	Version ID Register (FLEXIO_VERID)	32	R	0100_0000h	39.3.1/764
4005_F004	Parameter Register (FLEXIO_PARAM)	32	R	See section	39.3.2/765
4005_F008	FlexIO Control Register (FLEXIO_CTRL)	32	R/W	0000_0000h	39.3.3/766
4005_F010	Shifter Status Register (FLEXIO_SHIFTSTAT)	32	w1c	0000_0000h	39.3.4/767
4005_F014	Shifter Error Register (FLEXIO_SHIFTEERR)	32	w1c	0000_0000h	39.3.5/768
4005_F018	Timer Status Register (FLEXIO_TIMSTAT)	32	w1c	0000_0000h	39.3.6/768
4005_F020	Shifter Status Interrupt Enable (FLEXIO_SHIFTSIEN)	32	R/W	0000_0000h	39.3.7/769
4005_F024	Shifter Error Interrupt Enable (FLEXIO_SHIFTEIEN)	32	R/W	0000_0000h	39.3.8/770
4005_F028	Timer Interrupt Enable Register (FLEXIO_TIMIEN)	32	R/W	0000_0000h	39.3.9/770
4005_F030	Shifter Status DMA Enable (FLEXIO_SHIFTSDEN)	32	R/W	0000_0000h	39.3.10/771
4005_F080	Shifter Control N Register (FLEXIO_SHIFTCTL0)	32	R/W	0000_0000h	39.3.11/771

Table continues on the next page...

FLEXIO memory map (continued)

Absolute address (hex)	Register name	Width (in bits)	Access	Reset value	Section/page
4005_F084	Shifter Control N Register (FLEXIO_SHIFTCTL1)	32	R/W	0000_0000h	39.3.11/ 771
4005_F088	Shifter Control N Register (FLEXIO_SHIFTCTL2)	32	R/W	0000_0000h	39.3.11/ 771
4005_F08C	Shifter Control N Register (FLEXIO_SHIFTCTL3)	32	R/W	0000_0000h	39.3.11/ 771
4005_F100	Shifter Configuration N Register (FLEXIO_SHIFTCFG0)	32	R/W	0000_0000h	39.3.12/ 773
4005_F104	Shifter Configuration N Register (FLEXIO_SHIFTCFG1)	32	R/W	0000_0000h	39.3.12/ 773
4005_F108	Shifter Configuration N Register (FLEXIO_SHIFTCFG2)	32	R/W	0000_0000h	39.3.12/ 773
4005_F10C	Shifter Configuration N Register (FLEXIO_SHIFTCFG3)	32	R/W	0000_0000h	39.3.12/ 773
4005_F200	Shifter Buffer N Register (FLEXIO_SHIFTBUF0)	32	R/W	0000_0000h	39.3.13/ 774
4005_F204	Shifter Buffer N Register (FLEXIO_SHIFTBUF1)	32	R/W	0000_0000h	39.3.13/ 774
4005_F208	Shifter Buffer N Register (FLEXIO_SHIFTBUF2)	32	R/W	0000_0000h	39.3.13/ 774
4005_F20C	Shifter Buffer N Register (FLEXIO_SHIFTBUF3)	32	R/W	0000_0000h	39.3.13/ 774
4005_F280	Shifter Buffer N Bit Swapped Register (FLEXIO_SHIFTBUFBIS0)	32	R/W	0000_0000h	39.3.14/ 775
4005_F284	Shifter Buffer N Bit Swapped Register (FLEXIO_SHIFTBUFBIS1)	32	R/W	0000_0000h	39.3.14/ 775
4005_F288	Shifter Buffer N Bit Swapped Register (FLEXIO_SHIFTBUFBIS2)	32	R/W	0000_0000h	39.3.14/ 775
4005_F28C	Shifter Buffer N Bit Swapped Register (FLEXIO_SHIFTBUFBIS3)	32	R/W	0000_0000h	39.3.14/ 775
4005_F300	Shifter Buffer N Byte Swapped Register (FLEXIO_SHIFTBUFBYS0)	32	R/W	0000_0000h	39.3.15/ 775
4005_F304	Shifter Buffer N Byte Swapped Register (FLEXIO_SHIFTBUFBYS1)	32	R/W	0000_0000h	39.3.15/ 775
4005_F308	Shifter Buffer N Byte Swapped Register (FLEXIO_SHIFTBUFBYS2)	32	R/W	0000_0000h	39.3.15/ 775
4005_F30C	Shifter Buffer N Byte Swapped Register (FLEXIO_SHIFTBUFBYS3)	32	R/W	0000_0000h	39.3.15/ 775
4005_F380	Shifter Buffer N Bit Byte Swapped Register (FLEXIO_SHIFTBUFBBS0)	32	R/W	0000_0000h	39.3.16/ 776
4005_F384	Shifter Buffer N Bit Byte Swapped Register (FLEXIO_SHIFTBUFBBS1)	32	R/W	0000_0000h	39.3.16/ 776
4005_F388	Shifter Buffer N Bit Byte Swapped Register (FLEXIO_SHIFTBUFBBS2)	32	R/W	0000_0000h	39.3.16/ 776

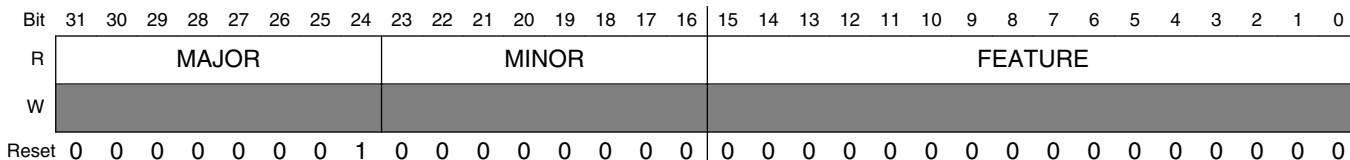
Table continues on the next page...

FLEXIO memory map (continued)

Absolute address (hex)	Register name	Width (in bits)	Access	Reset value	Section/page
4005_F38C	Shifter Buffer N Bit Byte Swapped Register (FLEXIO_SHIFTBUFBS3)	32	R/W	0000_0000h	39.3.16/776
4005_F400	Timer Control N Register (FLEXIO_TIMCTL0)	32	R/W	0000_0000h	39.3.17/776
4005_F404	Timer Control N Register (FLEXIO_TIMCTL1)	32	R/W	0000_0000h	39.3.17/776
4005_F408	Timer Control N Register (FLEXIO_TIMCTL2)	32	R/W	0000_0000h	39.3.17/776
4005_F40C	Timer Control N Register (FLEXIO_TIMCTL3)	32	R/W	0000_0000h	39.3.17/776
4005_F480	Timer Configuration N Register (FLEXIO_TIMCFG0)	32	R/W	0000_0000h	39.3.18/778
4005_F484	Timer Configuration N Register (FLEXIO_TIMCFG1)	32	R/W	0000_0000h	39.3.18/778
4005_F488	Timer Configuration N Register (FLEXIO_TIMCFG2)	32	R/W	0000_0000h	39.3.18/778
4005_F48C	Timer Configuration N Register (FLEXIO_TIMCFG3)	32	R/W	0000_0000h	39.3.18/778
4005_F500	Timer Compare N Register (FLEXIO_TIMCMP0)	32	R/W	0000_0000h	39.3.19/780
4005_F504	Timer Compare N Register (FLEXIO_TIMCMP1)	32	R/W	0000_0000h	39.3.19/780
4005_F508	Timer Compare N Register (FLEXIO_TIMCMP2)	32	R/W	0000_0000h	39.3.19/780
4005_F50C	Timer Compare N Register (FLEXIO_TIMCMP3)	32	R/W	0000_0000h	39.3.19/780

39.3.1 Version ID Register (FLEXIO_VERID)

Address: 4005_F000h base + 0h offset = 4005_F000h



FLEXIO_VERID field descriptions

Field	Description
31–24 MAJOR	Major Version Number

Table continues on the next page...

FLEXIO_VERID field descriptions (continued)

Field	Description
	This read only field returns the major version number for the module specification.
23–16 MINOR	Minor Version Number This read only field returns the minor version number for the module specification.
FEATURE	Feature Specification Number This read only field returns the feature set number. 0x0000 Standard features implemented. 0x0001 Supports state, logic and parallel modes.

39.3.2 Parameter Register (FLEXIO_PARAM)

Address: 4005_F000h base + 4h offset = 4005_F004h

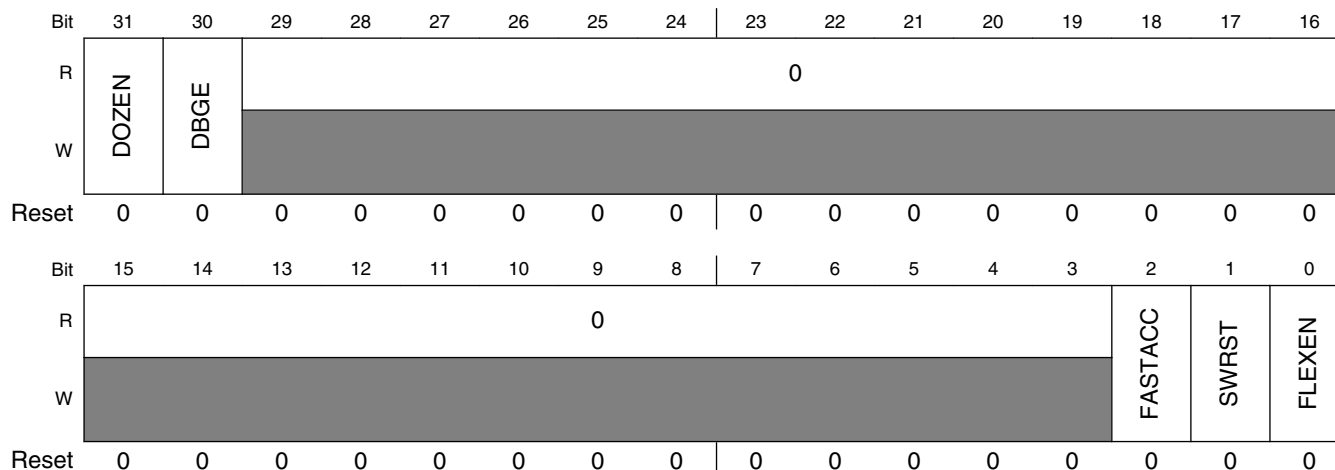
Bit	31	30	29	28	27	26	25	24	23	22	21	20	19	18	17	16	15	14	13	12	11	10	9	8	7	6	5	4	3	2	1	0								
R	TRIGGER								PIN								TIMER								SHIFTER															
W	[Shaded]																																							
Reset	0	0	0	1	0	0	0	0	0	0	0	0	1	0	0	0	0	0	0	0	0	1	0	0	0	0	0	0	0	1	0	0	0	0	0	0	0	1	0	0

FLEXIO_PARAM field descriptions

Field	Description
31–24 TRIGGER	Trigger Number Number of external triggers implemented.
23–16 PIN	Pin Number Number of Pins implemented.
15–8 TIMER	Timer Number Number of Timers implemented.
SHIFTER	Shifter Number Number of Shifters implemented.

39.3.3 FlexIO Control Register (FLEXIO_CTRL)

Address: 4005_F000h base + 8h offset = 4005_F008h



FLEXIO_CTRL field descriptions

Field	Description
31 DOZEN	<p>Doze Enable</p> <p>Disables FlexIO operation in Doze modes. This field is ignored and the FlexIO always disabled in low-leakage stop modes.</p> <p>0 FlexIO enabled in Doze modes. 1 FlexIO disabled in Doze modes.</p>
30 DBGE	<p>Debug Enable</p> <p>Enables FlexIO operation in Debug mode.</p> <p>0 FlexIO is disabled in debug modes. 1 FlexIO is enabled in debug modes</p>
29–3 Reserved	<p>This field is reserved.</p> <p>This read-only field is reserved and always has the value 0.</p>
2 FASTACC	<p>Fast Access</p> <p>Enables fast register accesses to FlexIO registers, but requires the FlexIO clock to be at least twice the frequency of the bus clock.</p> <p>0 Configures for normal register accesses to FlexIO 1 Configures for fast register accesses to FlexIO</p>
1 SWRST	<p>Software Reset</p> <p>The FlexIO Control Register is not affected by the software reset, all other logic in the FlexIO is affected by the software reset and register accesses are ignored until this bit is cleared. This register bit will remain set until cleared by software, and the reset has cleared in the FlexIO clock domain.</p>

Table continues on the next page...

FLEXIO_CTRL field descriptions (continued)

Field	Description
	0 Software reset is disabled 1 Software reset is enabled, all FlexIO registers except the Control Register are reset.
0 FLEXEN	FlexIO Enable 0 FlexIO module is disabled. 1 FlexIO module is enabled.

39.3.4 Shifter Status Register (FLEXIO_SHIFTSTAT)

Address: 4005_F000h base + 10h offset = 4005_F010h

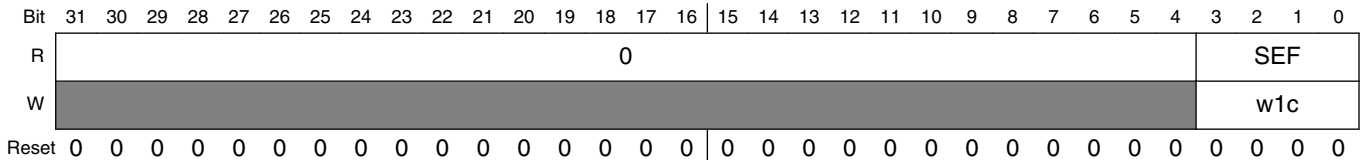
Bit	31	30	29	28	27	26	25	24	23	22	21	20	19	18	17	16	15	14	13	12	11	10	9	8	7	6	5	4	3	2	1	0
R	0																SSF															
W																	w1c															
Reset	0	0	0	0	0	0	0	0	0	0	0	0	0	0	0	0	0	0	0	0	0	0	0	0	0	0	0	0	0	0	0	

FLEXIO_SHIFTSTAT field descriptions

Field	Description
31–4 Reserved	This field is reserved. This read-only field is reserved and always has the value 0.
SSF	<p>Shifter Status Flag</p> <p>The shifter status flag is updated when one of the following events occurs:</p> <p>For SMOD=Receive, the status flag is set when SHIFTBUF has been loaded with data from Shifter (SHIFTBUF is full), and the status flag is cleared when SHIFTBUF register is read.</p> <p>For SMOD=Transmit, the status flag is set when SHIFTBUF data has been transferred to the Shifter (SHIFTBUF is empty) or when initially configured for SMOD=Transmit, and the status flag is cleared when the SHIFTBUF register is written.</p> <p>For SMOD=Match Store, the status flag is set when a match has occurred between SHIFTBUF and Shifter, and the status flag is cleared when the SHIFTBUF register is read.</p> <p>For SMOD=Match Continuous, returns the current match result between the SHIFTBUF and Shifter.</p> <p>The status flag can also be cleared by writing a logic one to the flag for all modes except Match Continuous.</p> <p>0 Status flag is clear 1 Status flag is set</p>

39.3.5 Shifter Error Register (FLEXIO_SHIFTErr)

Address: 4005_F000h base + 14h offset = 4005_F014h

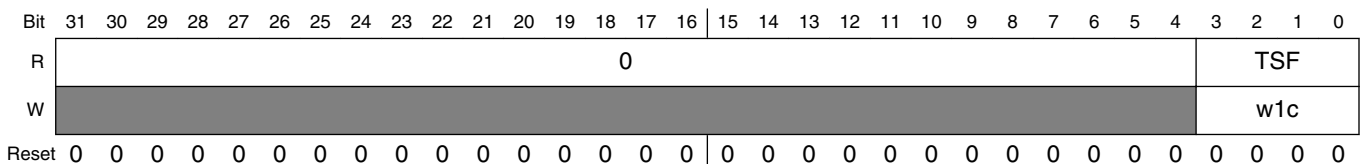


FLEXIO_SHIFTErr field descriptions

Field	Description
31–4 Reserved	This field is reserved. This read-only field is reserved and always has the value 0.
SEF	<p>Shifter Error Flags</p> <p>The shifter error flag is set when one of the following events occurs:</p> <p>For SMOD=Receive, indicates Shifter was ready to store new data into SHIFTBUF before the previous data was read from SHIFTBUF (SHIFTBUF Overrun), or indicates that the received start or stop bit does not match the expected value.</p> <p>For SMOD=Transmit, indicates Shifter was ready to load new data from SHIFTBUF before new data had been written into SHIFTBUF (SHIFTBUF Underrun).</p> <p>For SMOD=Match Store, indicates a match event occurred before the previous match data was read from SHIFTBUF (SHIFTBUF Overrun).</p> <p>For SMOD=Match Continuous, the error flag is set when a match has occurred between SHIFTBUF and Shifter.</p> <p>Can be cleared by writing logic one to the flag. For SMOD=Match Continuous, can also be cleared when the SHIFTBUF register is read.</p> <p>0 Shifter Error Flag is clear 1 Shifter Error Flag is set</p>

39.3.6 Timer Status Register (FLEXIO_TIMSTAT)

Address: 4005_F000h base + 18h offset = 4005_F018h



FLEXIO_TIMSTAT field descriptions

Field	Description
31–4 Reserved	This field is reserved. This read-only field is reserved and always has the value 0.
TSF	<p>Timer Status Flags</p> <p>The timer status flag sets depending on the timer mode, and can be cleared by writing logic one to the flag.</p> <p>In 8-bit counter mode, the timer status flag is set when the upper 8-bit counter equals zero and decrements, this also causes the counter to reload with the value in the compare register.</p> <p>In 8-bit PWM mode, the timer status flag is set when the upper 8-bit counter equals zero and decrements, this also causes the counter to reload with the value in the compare register..</p> <p>In 16-bit counter mode, the timer status flag is set when the 16-bit counter equals zero and decrements, this also causes the counter to reload with the value in the compare register..</p> <p>0 Timer Status Flag is clear 1 Timer Status Flag is set</p>

39.3.7 Shifter Status Interrupt Enable (FLEXIO_SHIFTSIEN)

Address: 4005_F000h base + 20h offset = 4005_F020h

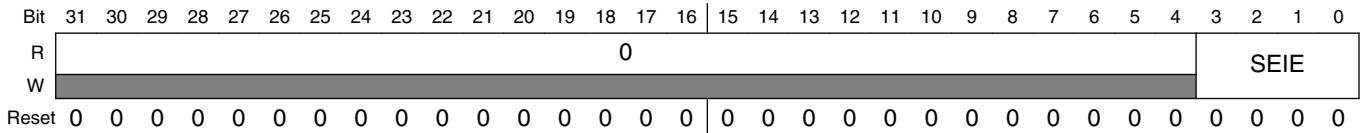
Bit	31	30	29	28	27	26	25	24	23	22	21	20	19	18	17	16	15	14	13	12	11	10	9	8	7	6	5	4	3	2	1	0
R	0																SSIE															
W	0																0															
Reset	0	0	0	0	0	0	0	0	0	0	0	0	0	0	0	0	0	0	0	0	0	0	0	0	0	0	0	0	0	0	0	

FLEXIO_SHIFTSIEN field descriptions

Field	Description
31–4 Reserved	This field is reserved. This read-only field is reserved and always has the value 0.
SSIE	<p>Shifter Status Interrupt Enable</p> <p>Enables interrupt generation when corresponding SSF is set.</p> <p>0 Shifter Status Flag interrupt disabled 1 Shifter Status Flag interrupt enabled</p>

39.3.8 Shifter Error Interrupt Enable (FLEXIO_SHIFTEIEN)

Address: 4005_F000h base + 24h offset = 4005_F024h

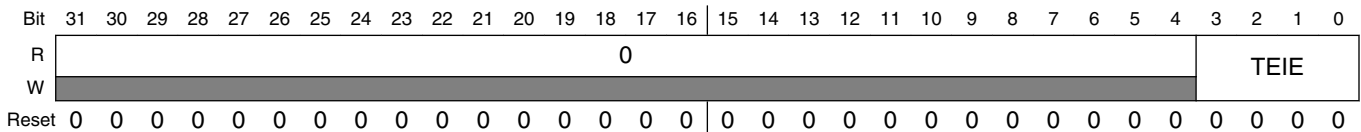


FLEXIO_SHIFTEIEN field descriptions

Field	Description
31–4 Reserved	This field is reserved. This read-only field is reserved and always has the value 0.
SEIE	Shifter Error Interrupt Enable Enables interrupt generation when corresponding SEF is set. 0 Shifter Error Flag interrupt disabled 1 Shifter Error Flag interrupt enabled

39.3.9 Timer Interrupt Enable Register (FLEXIO_TIMIEN)

Address: 4005_F000h base + 28h offset = 4005_F028h



FLEXIO_TIMIEN field descriptions

Field	Description
31–4 Reserved	This field is reserved. This read-only field is reserved and always has the value 0.
TEIE	Timer Status Interrupt Enable Enables interrupt generation when corresponding TSF is set. 0 Timer Status Flag interrupt is disabled 1 Timer Status Flag interrupt is enabled

39.3.10 Shifter Status DMA Enable (FLEXIO_SHIFTSDEN)

Address: 4005_F000h base + 30h offset = 4005_F030h

Bit	31	30	29	28	27	26	25	24	23	22	21	20	19	18	17	16	15	14	13	12	11	10	9	8	7	6	5	4	3	2	1	0
R	0																SSDE															
W	0																0															
Reset	0	0	0	0	0	0	0	0	0	0	0	0	0	0	0	0	0	0	0	0	0	0	0	0	0	0	0	0	0	0	0	0

FLEXIO_SHIFTSDEN field descriptions

Field	Description
31–4 Reserved	This field is reserved. This read-only field is reserved and always has the value 0.
SSDE	Shifter Status DMA Enable Enables DMA request generation when corresponding SSF is set. 0 Shifter Status Flag DMA request is disabled 1 Shifter Status Flag DMA request is enabled

39.3.11 Shifter Control N Register (FLEXIO_SHIFTCTL_n)

Address: 4005_F000h base + 80h offset + (4d × i), where i=0d to 3d

Bit	31	30	29	28	27	26	25	24	23	22	21	20	19	18	17	16		
R	0								TIMPOL	0								
W	0									TIMSEL	0							
Reset	0	0	0	0	0	0	0	0	0	0	0	0	0	0	0	0		
Bit	15	14	13	12	11	10	9	8	7	6	5	4	3	2	1	0		
R	0								PINPOL	0								
W	0									PINSEL	0							
Reset	0	0	0	0	0	0	0	0	0	0	0	0	0	0	0	0		

FLEXIO_SHIFTCTL n field descriptions

Field	Description
31–26 Reserved	This field is reserved. This read-only field is reserved and always has the value 0.
25–24 TIMSEL	Timer Select Selects which Timer is used for controlling the logic/shift register and generating the Shift clock.
23 TIMPOL	Timer Polarity 0 Shift on posedge of Shift clock 1 Shift on negedge of Shift clock
22–18 Reserved	This field is reserved. This read-only field is reserved and always has the value 0.
17–16 PINCFG	Shifter Pin Configuration 00 Shifter pin output disabled 01 Shifter pin open drain or bidirectional output enable 10 Shifter pin bidirectional output data 11 Shifter pin output
15–11 Reserved	This field is reserved. This read-only field is reserved and always has the value 0.
10–8 PINSEL	Shifter Pin Select Selects which pin is used by the Shifter input or output.
7 PINPOL	Shifter Pin Polarity 0 Pin is active high 1 Pin is active low
6–3 Reserved	This field is reserved. This read-only field is reserved and always has the value 0.
SMOD	Shifter Mode Configures the mode of the Shifter. 000 Disabled. 001 Receive mode. Captures the current Shifter content into the SHIFTBUF on expiration of the Timer. 010 Transmit mode. Load SHIFTBUF contents into the Shifter on expiration of the Timer. 011 Reserved. 100 Match Store mode. Shifter data is compared to SHIFTBUF content on expiration of the Timer. 101 Match Continuous mode. Shifter data is continuously compared to SHIFTBUF contents. 110 Reserved. 111 Reserved.

39.3.12 Shifter Configuration N Register (FLEXIO_SHIFTCFGn)

Address: 4005_F000h base + 100h offset + (4d × i), where i=0d to 3d

Bit	31	30	29	28	27	26	25	24	23	22	21	20	19	18	17	16
R	0								0							
W	[Reserved]															
Reset	0	0	0	0	0	0	0	0	0	0	0	0	0	0	0	0
Bit	15	14	13	12	11	10	9	8	7	6	5	4	3	2	1	0
R	0								0	0	SSTOP		0		SSTART	
W	[Reserved]								INSRC	[Reserved]	[Reserved]	SSTOP		[Reserved]	SSTART	
Reset	0	0	0	0	0	0	0	0	0	0	0	0	0	0	0	0

FLEXIO_SHIFTCFGn field descriptions

Field	Description
31–21 Reserved	This field is reserved. This read-only field is reserved and always has the value 0.
20–16 Reserved	This field is reserved. This read-only field is reserved and always has the value 0.
15–9 Reserved	This field is reserved. This read-only field is reserved and always has the value 0.
8 INSRC	Input Source Selects the input source for the shifter. 0 Pin 1 Shifter N+1 Output
7 Reserved	This field is reserved. This read-only field is reserved and always has the value 0.
6 Reserved	This field is reserved. This read-only field is reserved and always has the value 0.
5–4 SSTOP	Shifter Stop bit For SMOD=Transmit, this field allows automatic stop bit insertion if the selected timer has also enabled a stop bit. For SMOD=Receive or Match Store, this field allows automatic stop bit checking if the selected timer has also enabled a stop bit. 00 Stop bit disabled for transmitter/receiver/match store 01 Reserved for transmitter/receiver/match store 10 Transmitter outputs stop bit value 0 on store, receiver/match store sets error flag if stop bit is not 0 11 Transmitter outputs stop bit value 1 on store, receiver/match store sets error flag if stop bit is not 1

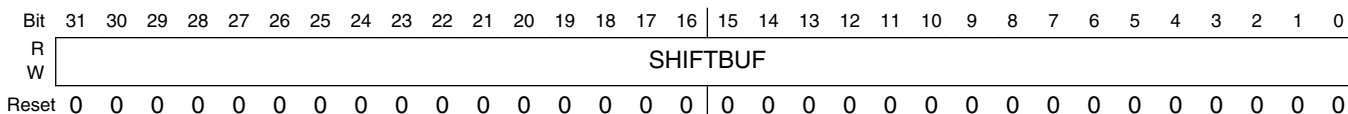
Table continues on the next page...

FLEXIO_SHIFTCFGn field descriptions (continued)

Field	Description
3-2 Reserved	This field is reserved. This read-only field is reserved and always has the value 0.
SSTART	<p>Shifter Start bit</p> <p>For SMOD=Transmit, this field allows automatic start bit insertion if the selected timer has also enabled a start bit.</p> <p>For SMOD=Receive or Match Store, this field allows automatic start bit checking if the selected timer has also enabled a start bit.</p> <p>00 Start bit disabled for transmitter/receiver/match store, transmitter loads data on enable</p> <p>01 Start bit disabled for transmitter/receiver/match store, transmitter loads data on first shift</p> <p>10 Transmitter outputs start bit value 0 before loading data on first shift, receiver/match store sets error flag if start bit is not 0</p> <p>11 Transmitter outputs start bit value 1 before loading data on first shift, receiver/match store sets error flag if start bit is not 1</p>

39.3.13 Shifter Buffer N Register (FLEXIO_SHIFTBUFn)

Address: 4005_F000h base + 200h offset + (4d × i), where i=0d to 3d

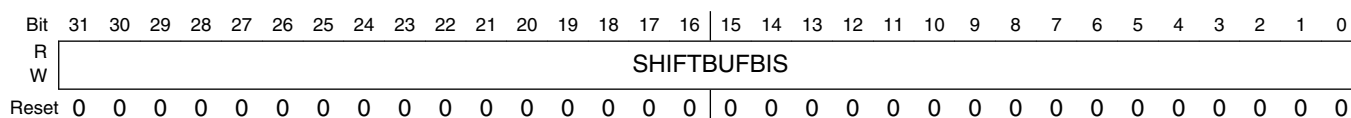


FLEXIO_SHIFTBUFn field descriptions

Field	Description
SHIFTBUF	<p>Shift Buffer</p> <p>Shift buffer data is used for a variety of functions depending on the SMOD setting:</p> <p>For SMOD=Receive, Shifter data is transferred into SHIFTBUF at the expiration of Timer.</p> <p>For SMOD=Transmit, SHIFTBUF data is transferred into the Shifter before the Timer begins.</p> <p>For SMOD=Match Store/Continuous, SHIFTBUF[31:16] contains the data to be matched with the Shifter contents. The Match is checked either continuously (Match Continuous mode) or when the Timer expires (Match Store mode). SHIFTBUF[15:0] can be used to mask the match result (1=mask, 0=no mask). In Match Store mode, Shifter data [31:16] is written to SHIFTBUF[31:16] whenever a match event occurs.</p>

39.3.14 Shifter Buffer N Bit Swapped Register (FLEXIO_SHIFTBUFBIS_n)

Address: 4005_F000h base + 280h offset + (4d × i), where i=0d to 3d

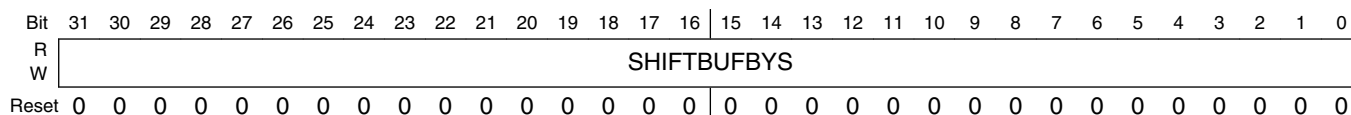


FLEXIO_SHIFTBUFBIS_n field descriptions

Field	Description
SHIFTBUFBIS	Shift Buffer Alias to SHIFTBUF register, except reads/writes to this register are bit swapped. Reads return SHIFTBUF[0:31].

39.3.15 Shifter Buffer N Byte Swapped Register (FLEXIO_SHIFTBUFBYS_n)

Address: 4005_F000h base + 300h offset + (4d × i), where i=0d to 3d

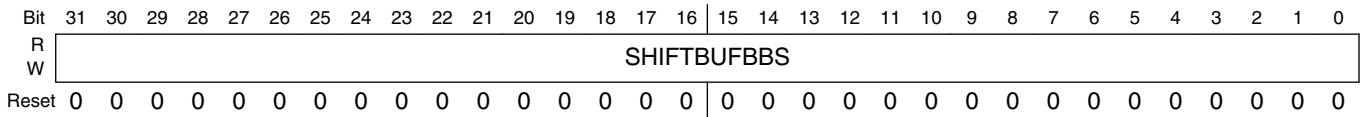


FLEXIO_SHIFTBUFBYS_n field descriptions

Field	Description
SHIFTBUFBYS	Shift Buffer Alias to SHIFTBUF register, except reads/writes to this register are byte swapped. Reads return { SHIFTBUF[7:0], SHIFTBUF[15:8], SHIFTBUF[23:16], SHIFTBUF[31:24] }.

39.3.16 Shifter Buffer N Bit Byte Swapped Register (FLEXIO_SHIFTBUFBBS_n)

Address: 4005_F000h base + 380h offset + (4d × i), where i=0d to 3d

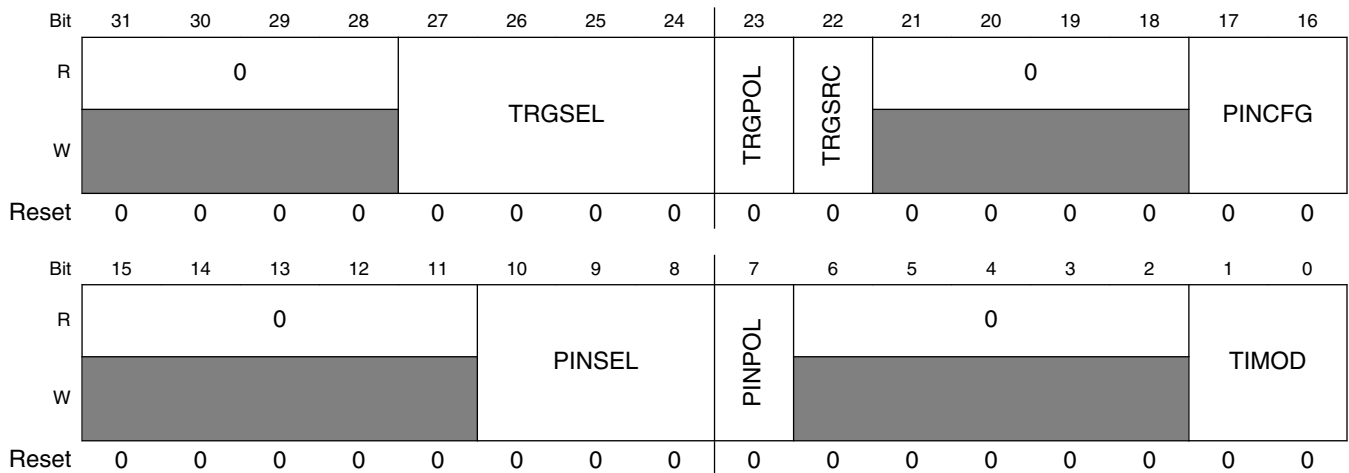


FLEXIO_SHIFTBUFBBS_n field descriptions

Field	Description
SHIFTBUFBBS	Shift Buffer Alias to SHIFTBUF register, except reads/writes to this register are bit swapped within each byte. Reads return { SHIFTBUF[24:31], SHIFTBUF[16:23], SHIFTBUF[8:15], SHIFTBUF[0:7] }.

39.3.17 Timer Control N Register (FLEXIO_TIMCTL_n)

Address: 4005_F000h base + 400h offset + (4d × i), where i=0d to 3d



FLEXIO_TIMCTL_n field descriptions

Field	Description
31–28 Reserved	This field is reserved. This read-only field is reserved and always has the value 0.
27–24 TRGSEL	Trigger Select The valid values for TRGSEL will depend on the FLEXIO_PARAM register.

Table continues on the next page...

FLEXIO_TIMCTL_n field descriptions (continued)

Field	Description
	<ul style="list-style-type: none"> When TRGSRC = 1, the valid values for N will depend on PIN, TIMER, SHIFTER fields in the FLEXIO_PARAM register. When TRGSRC = 0, the valid values for N will depend on TRIGGER field in FLEXIO_PARAM register. <p>Refer to the chip configuration section for external trigger selection.</p> <p>The internal trigger selection is configured as follows:</p> <p>{N,00} pin 2N input {N,01} shifter N status flag {N,10} pin 2N+1 input {N,11} timer N trigger output</p>
23 TRGPOL	Trigger Polarity 0 Trigger active high 1 Trigger active low
22 TRGSRC	Trigger Source 0 External trigger selected 1 Internal trigger selected
21–18 Reserved	This field is reserved. This read-only field is reserved and always has the value 0.
17–16 PINCFG	Timer Pin Configuration 00 Timer pin output disabled 01 Timer pin open drain or bidirectional output enable 10 Timer pin bidirectional output data 11 Timer pin output
15–11 Reserved	This field is reserved. This read-only field is reserved and always has the value 0.
10–8 PINSEL	Timer Pin Select Selects which pin is used by the Timer input or output.
7 PINPOL	Timer Pin Polarity 0 Pin is active high 1 Pin is active low
6–2 Reserved	This field is reserved. This read-only field is reserved and always has the value 0.
TIMOD	Timer Mode In 8-bit counter mode, the lower 8-bits of the counter and compare register are used to configure the baud rate of the timer shift clock and the upper 8-bits are used to configure the shifter bit count. In 8-bit PWM mode, the lower 8-bits of the counter and compare register are used to configure the high period of the timer shift clock and the upper 8-bits are used to configure the low period of the timer shift clock. The shifter bit count is configured using another timer or external signal. In 16-bit counter mode, the full 16-bits of the counter and compare register are used to configure either the baud rate of the shift clock or the shifter bit count. 00 Timer Disabled.

Table continues on the next page...

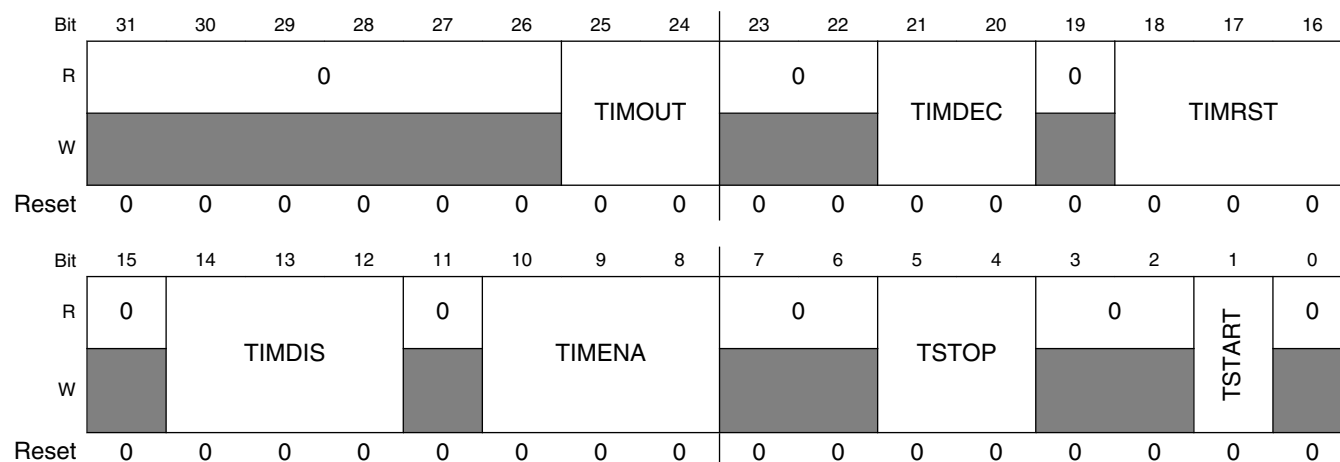
FLEXIO_TIMCTLn field descriptions (continued)

Field	Description
01	Dual 8-bit counters baud/bit mode.
10	Dual 8-bit counters PWM mode.
11	Single 16-bit counter mode.

39.3.18 Timer Configuration N Register (FLEXIO_TIMCFGn)

The options to enable or disable the timer using the Timer N-1 enable or disable are reserved when N is evenly divisible by 4 (eg: Timer 0).

Address: 4005_F000h base + 480h offset + (4d × i), where i=0d to 3d



FLEXIO_TIMCFGn field descriptions

Field	Description
31–26 Reserved	This field is reserved. This read-only field is reserved and always has the value 0.
25–24 TIMOUT	Timer Output Configures the initial state of the Timer Output and whether it is affected by the Timer reset. 00 Timer output is logic one when enabled and is not affected by timer reset 01 Timer output is logic zero when enabled and is not affected by timer reset 10 Timer output is logic one when enabled and on timer reset 11 Timer output is logic zero when enabled and on timer reset
23–22 Reserved	This field is reserved. This read-only field is reserved and always has the value 0.
21–20 TIMDEC	Timer Decrement Configures the source of the Timer decrement and the source of the Shift clock. 00 Decrement counter on FlexIO clock, Shift clock equals Timer output. 01 Decrement counter on Trigger input (both edges), Shift clock equals Timer output.

Table continues on the next page...

FLEXIO_TIMCFGn field descriptions (continued)

Field	Description
	10 Decrement counter on Pin input (both edges), Shift clock equals Pin input. 11 Decrement counter on Trigger input (both edges), Shift clock equals Trigger input.
19 Reserved	This field is reserved. This read-only field is reserved and always has the value 0.
18–16 TIMRST	Timer Reset Configures the condition that causes the timer counter (and optionally the timer output) to be reset. In 8-bit counter mode, the timer reset will only reset the lower 8-bits that configure the baud rate. In all other modes, the timer reset will reset the full 16-bits of the counter. 000 Timer never reset 001 Reserved 010 Timer reset on Timer Pin equal to Timer Output 011 Timer reset on Timer Trigger equal to Timer Output 100 Timer reset on Timer Pin rising edge 101 Reserved 110 Timer reset on Trigger rising edge 111 Timer reset on Trigger rising or falling edge
15 Reserved	This field is reserved. This read-only field is reserved and always has the value 0.
14–12 TIMDIS	Timer Disable Configures the condition that causes the Timer to be disabled and stop decrementing. 000 Timer never disabled 001 Timer disabled on Timer N-1 disable 010 Timer disabled on Timer compare 011 Timer disabled on Timer compare and Trigger Low 100 Timer disabled on Pin rising or falling edge 101 Timer disabled on Pin rising or falling edge provided Trigger is high 110 Timer disabled on Trigger falling edge 111 Reserved
11 Reserved	This field is reserved. This read-only field is reserved and always has the value 0.
10–8 TIMENA	Timer Enable Configures the condition that causes the Timer to be enabled and start decrementing. 000 Timer always enabled 001 Timer enabled on Timer N-1 enable 010 Timer enabled on Trigger high 011 Timer enabled on Trigger high and Pin high 100 Timer enabled on Pin rising edge 101 Timer enabled on Pin rising edge and Trigger high 110 Timer enabled on Trigger rising edge 111 Timer enabled on Trigger rising or falling edge
7–6 Reserved	This field is reserved. This read-only field is reserved and always has the value 0.

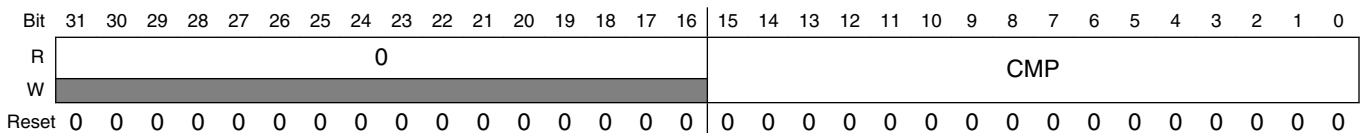
Table continues on the next page...

FLEXIO_TIMCFGn field descriptions (continued)

Field	Description
5-4 TSTOP	<p>Timer Stop Bit</p> <p>The stop bit can be added on a timer compare (between each word) or on a timer disable. When stop bit is enabled, configured shifters will output the contents of the stop bit when the timer is disabled. When stop bit is enabled on timer disable, the timer remains disabled until the next rising edge of the shift clock. If configured for both timer compare and timer disable, only one stop bit is inserted on timer disable.</p> <p>00 Stop bit disabled 01 Stop bit is enabled on timer compare 10 Stop bit is enabled on timer disable 11 Stop bit is enabled on timer compare and timer disable</p>
3-2 Reserved	<p>This field is reserved. This read-only field is reserved and always has the value 0.</p>
1 TSTART	<p>Timer Start Bit</p> <p>When start bit is enabled, configured shifters will output the contents of the start bit when the timer is enabled and the timer counter will reload from the compare register on the first rising edge of the shift clock.</p> <p>0 Start bit disabled 1 Start bit enabled</p>
0 Reserved	<p>This field is reserved. This read-only field is reserved and always has the value 0.</p>

39.3.19 Timer Compare N Register (FLEXIO_TIMCMPn)

Address: 4005_F000h base + 500h offset + (4d × i), where i=0d to 3d



FLEXIO_TIMCMPn field descriptions

Field	Description
31-16 Reserved	<p>This field is reserved. This read-only field is reserved and always has the value 0.</p>
CMP	<p>Timer Compare Value</p> <p>The timer compare value is loaded into the timer counter when the timer is first enabled, when the timer is reset and when the timer decrements down to zero. In dual 8-bit counters baud/bit mode, the lower 8-bits configures the baud rate divider equal to (CMP[7:0] + 1) * 2. The upper 8-bits configure the number of bits in each word equal to (CMP[15:8] + 1) / 2. In dual 8-bit counters PWM mode, the lower 8-bits configure the high period of the output to (CMP[7:0] + 1) and the upper 8-bits configure the low period of the output to (CMP[15:8] + 1). In 16-bit counter mode, the compare value can be used to generate the baud rate divider (if shift clock source is timer output) to equal (CMP[15:0] + 1) * 2. When the shift clock source is a pin or</p>

Table continues on the next page...

FLEXIO_TIMCMPn field descriptions (continued)

Field	Description
	trigger input, the compare register is used to set the number of bits in each word equal to $(CMP[15:0] + 1) / 2$.

39.4 Functional description

39.4.1 Shifter operation

Shifters are responsible for buffering and shifting data into or out of the FlexIO. The timing of shift, load and store events are controlled by the Timer assigned to the Shifter via the SHIFTCTL[TIMSEL] register. The Shifters are designed to support either DMA, interrupt or polled operation. The following block diagram provides a detailed view of the Shifter microarchitecture.

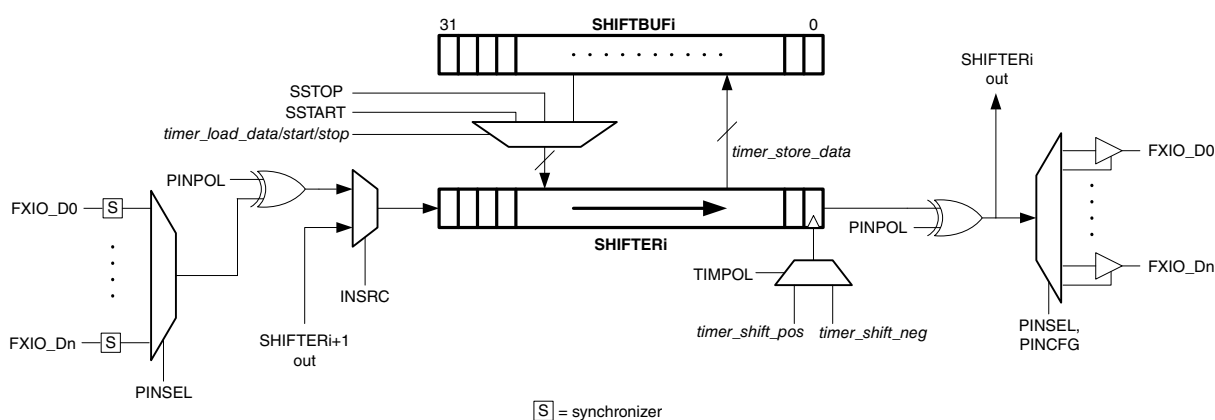


Figure 39-2. Shifter Microarchitecture

39.4.1.1 Transmit Mode

When configured for Transmit mode (SHIFTCTL[SMOD]=Transmit), the shifter will load data from the SHIFTBUF register and shift data out when a load event is signalled by the assigned Timer. An optional start/stop bit can also be automatically loaded before/after SHIFTBUF data by configuring the SHIFTCFG[SSTART], TIMCFG[TSTART] or SHIFTCFG[SSTOP], TIMCFG[TSTOP] registers in the Shifter and Timer. Note that the shifter will immediately load a stop bit when the Shifter is initially configured for Transmit mode if a stop bit is enabled.

The Shifter Status Flag (SHIFTSTAT[SSF]) and any enabled interrupts or DMA requests will set when data has been loaded from the SHIFTBUF register into the Shifter or when the Shifter is initially configured into Transmit mode. The flag will clear when new data has been written into the SHIFTBUF register.

The Shifter Error Flag (SHIFTErr[SEF]) and any enabled interrupts will set when an attempt to load data from an empty SHIFTBUF register occurs (buffer underrun). The flag can be cleared by writing it with logic 1.

39.4.1.2 Receive Mode

When configured for Receive mode (SHIFTCTL[SMOD]=Receive), the shifter will shift data in and store data into the SHIFTBUF register when a store event is signalled by the assigned Timer. Checking for a start/stop bit can be enabled before/after shifter data is sampled by configuring the SHIFTCFG[SSTART], TIMCFG[TSTART] or SHIFTCFG[SSTOP], TIMCFG[TSTOP] registers in the Shifter and Timer.

The Shifter Status Flag (SHIFTSTAT[SSF]) and any enabled interrupts or DMA requests will set when data has been stored into the SHIFTBUF register from the Shifter. The flag will clear when the data has been read from the SHIFTBUF register.

The Shifter Error Flag (SHIFTErr[SEF]) and any enabled interrupts will set when an attempt to store data into a full SHIFTBUF register occurs (buffer overrun) or when a mismatch occurs on a start/stop bit check. The flag can be cleared by writing it with logic 1.

39.4.1.3 Match Store Mode

When configured for Match Store mode (SHIFTCTL[SMOD]=Match Store), the shifter will shift data in, check for a match result and store matched data into the SHIFTBUF register when a store event is signalled by the assigned Timer. Checking for a start/stop bit can be enabled before/after shifter data is sampled by configuring the SHIFTCFG[SSTART], TIMCFG[TSTART] or SHIFTCFG[SSTOP], TIMCFG[TSTOP] registers in the Shifter and Timer. Up to 16-bits of data can be compared using SHIFTBUF[31:16] to configure the data to be matched and SHIFTBUF[15:0] to mask the match result.

The Shifter Status Flag (SHIFTSTAT[SSF]) and any enabled interrupts or DMA requests will set when a match occurs and matched data has been stored into the SHIFTBUF register from the Shifter. The flag will clear when the matched data has been read from the SHIFTBUF register.

The Shifter Error Flag (SHIFTErr[SEF]) and any enabled interrupts will set when an attempt to store matched data into a full SHIFTBUF register occurs (buffer overrun) or when a mismatch occurs on a start/stop bit check. The flag can be cleared by writing it with logic 1.

39.4.1.4 Match Continuous Mode

When configured for Match Continuous mode (SHIFTCTL[SMOD]=Match Continuous), the shifter will shift data in and continuously check for a match result whenever a shift event is signalled by the assigned Timer. Up to 16-bits of data can be compared using SHIFTBUF[31:16] to configure the data to be matched and SHIFTBUF[15:0] to mask the match result.

The Shifter Status Flag (SHIFTSTAT[SSF]) and any enabled interrupts or DMA requests will set when a match occurs. The flag will clear automatically as soon as there is no longer a match between Shifter data and SHIFTBUF register.

The Shifter Error Flag (SHIFTErr[SEF]) and any enabled interrupts will set when a match occurs. The flag will clear when there is a read from the SHIFTBUF register or it written with logic 1.

39.4.2 Timer operation

The FlexIO 16-bit timers control the loading, shifting and storing of the shift registers, the counters load the contents of the compare register and decrement down to zero on the FlexIO clock. They can perform generic timer functions such as generating a clock or select output or a PWM waveform. Timers can be configured to enable in response to a trigger, pin or shifter condition; decrement always or only on a trigger or pin edge; reset in response to a trigger or pin condition; and disable on a trigger or pin condition or on a timer compare. Timers can optionally include a start condition and/or stop condition.

Each timer operates independently, although a timer can be configured to enable or disable at the same time as the previous timer (eg: timer1 can enable or disable at the same time as timer 0) and a timer output can be used to trigger any other timer. The trigger used by each timer is configured independently and can be configured to be a timer output, shifter status flag, pin input or an external trigger input (refer to the chip configuration section for details on the external trigger connections). The trigger configuration is separate from the pin configuration, which can be configured for input, output data or output enable.

The Timer Configuration Register (TIMCFGn) should be configured before setting the Timer Mode (TIMOD). Once the TIMOD is configured for the desired mode, when the condition configured by timer enable (TIMENA) is detected then the following events occur.

- Timer counter will load the current value of the Compare Register and start decrementing as configured by TIMDEC.
- Timer output will set depending on the TIMOUT configuration.
- Transmit shifters controlled by this timer will either output their start bit value, or load the shift register from the shift buffer and output the first bit, as configured by SSTART.

The Timer will then generate the timer output and timer shift clock depending on the TIMOD and TIMDEC fields. The shifter clock is either equal to the timer output (when TIMDEC=00 or 01) or equal to the decrement clock (when TIMDEC=10 or 11). When TIMDEC is configured to decrement from a pin or trigger, the timer will decrement on both rising and falling edges.

When the Timer is configured to reset as configured in the TIMRST field then the Timer counter will load the current value of the Compare Register again, the timer output may also be affected by the reset as configured in TIMOUT.

If the Timer start bit is enabled, the timer counter will reload with the compare register on the first rising edge of the shift clock after the timer starts decrementing. If there is no falling edge on the shift clock before the first rising edge (for example, when TIMOUT=1), a shifter that is configured to shift on falling edge and load on the first shift will not load correctly.

When configured for 8-bit counter mode, whenever the lower 8-bit counter decrements to zero the timer output will toggle, the lower 8-bit counter register will reload from the compare register and the upper 8-bit counter will decrement. For 8-bit PWM mode, the lower 8-bit counter will only decrement when the output is high and the upper 8-bit counter will only decrement when the output is low. The timer output will toggle whenever either lower or upper 8-bit counter decrements to zero.

When the timer decrements to zero, a compare event occurs depending on the timer mode. For 8-bit counter or PWM modes, both halves of the counter must equal zero and the upper half must decrement for the timer compare event to occur, while in 16-bit mode the entire counter must equal zero and decrement. The timer compare event will cause the timer status flag to set, the timer counter to load the contents of the timer compare register, the timer output to toggle, any configured transmit shift registers to load and any configured receive shift registers to store .

When the is Timer is configured to add a stop bit on each compare, the following additional events will occur.

- Transmit shifters controlled by this timer will output their stop bit value (if configured by SSTOP).
- Receive shifters controlled by this timer will store the contents of the shift register in their shift buffer, as configured by SSTOP.
- On the first rising edge of the shifter clock after the compare, the timer counter will reload the current value of the Compare Register.

Transmit shifters must be configured to load on the first shift when the timer is configured to insert a stop bit on each compare.

When the condition configured by timer disable (TIMDIS) is detected, the following events occur.

- Timer counter will reload the current value of the Compare Register and start decrementing as configured by TIMDEC.
- Timer output will clear.
- Transmit shifters controlled by this timer will output their stop bit value (if configured by SSTOP).
- Receive shifters controlled by this timer will store the contents of the shift register in their shift buffer, as configured by SSTOP.

If the timer stop bit is enabled, the timer counter will continue decrementing until the next rising edge of the shift clock is detected, at which point it will finish. A timer enable condition can be detected in the same cycle as a timer disable condition (if timer stop bit is disabled), or on the first rising edge of the shift clock after the disable condition (if stop bit is enabled). Receive shift registers will stop bit enabled will store the contents of the shift register into the shift buffer and verify the state of the input data on the configured shift edge while the timer is in the stop state condition. If there is no configured edge between the timer disable and the next rising edge of the shift clock then the final store and verify do not occur.

39.4.3 Pin operation

The pin configuration for each timer and shifter can be configured to use any FlexIO pin with either polarity. Each timer and shifter can be configured as an input, output data, output enable or bidirectional output. A pin configured for output enable can be used as an open drain (with inverted polarity, since the output enable assertion would cause logic zero to be output on the pin) or to control the enable on the bidirectional output. Any timer or shifter could be configured to control the output enable for a pin where the bidirectional output data is driven by another timer or shifter.

When configuring a pin as an input (this includes a timer trigger configured as a pin input), the input signal is first synchronized to the FlexIO clock before the signal is used by a timer or shifter. This introduces a small latency of between 0.5 to 1.5 FlexIO clock cycles when using an external pin input to generate an output or control a shifter. This sets the maximum setup time at 1.5 FlexIO clock cycles.

If an input is used by more than one timer or shifter then the synchronization occurs once to ensure any edge is seen on the same cycle by all timers and shifters using that input.

Note that FlexIO pins are also connected internally, configuring a FlexIO shifter or timer to output data on an unused pin will make an internal connection that allows other shifters and timer to use this pin as an input. This allows a shifter output to be used to trigger a timer or a timer output to be shifted into a shifter. This path is also synchronized to the FlexIO clock and therefore incurs a 1 cycle latency.

So when using a Pin input as a Timer Trigger, Timer Clock or Shifter Data Input, the following synchronization delays occur:

1. 0.5 – 1.5 FlexIO clock cycles for external pin
2. 1 FlexIO clock cycle for an internally driven pin

For timing considerations such as output valid time and input setup time for specific applications (SPI Master, SPI Slave, I2C Master, I2S Master, I2S Slave) please refer to the FlexIO Application Information Section.

39.5 Application Information

This section provides examples for a variety of FlexIO module applications.

39.5.1 UART Transmit

UART transmit can be supported using one Timer, one Shifter and one Pin (two Pins if supporting CTS). The start and stop bit insertion is handled automatically and multiple transfers can be supported using DMA controller. The timer status flag can be used to indicate when the stop bit of each word is transmitted.

Break and idle characters require software intervention, before transmitting a break or idle character the SSTART and SSTOP fields should be altered to transmit the required state and the data to transmit must equal 0xFF or 0x00. Supporting a second stop bit requires the stop bit to be inserted into the data stream using software (and increasing the

number of bits to transmit). Note that when performing byte writes to SHIFTBUF_n (or SHIFTBUFBIS for transmitting MSB first), the rest of the register remains unaltered allowing an address mark bit or additional stop bit to remain undisturbed.

FlexIO does not support automatic insertion of parity bits.

Table 39-3. UART Transmit Configuration

Register	Value	Comments
SHIFTCFG _n	0x0000_0032	Configure start bit of 0 and stop bit of 1.
SHIFTCTL _n	0x0003_0002	Configure transmit using Timer 0 on posedge of clock with output data on Pin 0. Can invert output data by setting PINPOL, or can support open drain by setting PINPOL=0x1 and PINCFG=0x1.
TIMCMP _n	0x0000_0F01	Configure 8-bit transfer with baud rate of divide by 4 of the FlexIO clock. Set TIMCMP[15:8] = (number of bits x 2) - 1. Set TIMCMP[7:0] = (baud rate divider / 2) - 1.
TIMCFG _n	0x0000_2222	Configure start bit, stop bit, enable on trigger low and disable on compare. Can support CTS by configuring TIMEN=0x3.
TIMCTL _n	0x01C0_0001	Configure dual 8-bit counter using Shifter 0 status flag as inverted internal trigger source. Can support CTS by configuring PINSEL=0x1 (for Pin 1) and PINPOL=0x1.
SHIFTBUF _n	Data to transmit	Transmit data can be written to SHIFTBUF[7:0] to initiate an 8-bit transfer, use the Shifter Status Flag to indicate when data can be written using interrupt or DMA request. Can support MSB first transfer by writing to SHIFTBUFBBS[7:0] register instead.

39.5.2 UART Receive

UART receive can be supported using one Timer, one Shifter and one Pin (two Timers and two Pins if supporting RTS). The start and stop bit verification is handled automatically and multiple transfers can be supported using the DMA controller. The timer status flag can be used to indicate when the stop bit of each word is received.

Triple voting of the received data is not supported by FlexIO, data is sampled only once in the middle of each bit. Another timer can be used to implement a glitch filter on the incoming data, another Timer can also be used to detect an idle line of programmable length. Break characters will cause the error flag to set and the shifter buffer register will return 0x00.

FlexIO does not support automatic verification of parity bits.

Table 39-4. UART Receiver Configuration

Register	Value	Comments
SHIFTCFGn	0x0000_0032	Configure start bit of 0 and stop bit of 1.
SHIFTCTLn	0x0080_0001	Configure receive using Timer 0 on negeedge of clock with input data on Pin 0. Can invert input data by setting PINPOL.
TIMCMPn	0x0000_0F01	Configure 8-bit transfer with baud rate of divide by 4 of the FlexIO clock. Set TIMCMP[15:8] = (number of bits x 2) - 1. Set TIMCMP[7:0] = (baud rate divider / 2) - 1.
TIMCFGn	0x0204_2422	Configure start bit, stop bit, enable on pin posedge and disable on compare. Enable resynchronization to received data with TIMOUT=0x2 and TIMRST=0x4.
TIMCTLn	0x0000_0081	Configure dual 8-bit counter using inverted Pin 0 input.
SHIFTBUFn	Data to receive	Received data can be read from SHIFTBUFBYS[7:0], use the Shifter Status Flag to indicate when data can be read using interrupt or DMA request. Can support MSB first transfer by reading from SHIFTBUFBIS[7:0] register instead.

The UART Receiver with RTS configuration uses a 2nd Timer to generate the RTS output. The RTS will assert when the start bit is detected and negate when the data is read from the shifter buffer register. No start bit will be detected while the RTS is asserted, the received data is simply ignored.

Table 39-5. UART Receiver with RTS Configuration

Register	Value	Comments
SHIFTCFGn	0x0000_0032	Configure start bit of 0 and stop bit of 1.
SHIFTCTLn	0x0080_0001	Configure receive using Timer 0 on negeedge of clock with input data on Pin 0. Can invert input data by setting PINPOL.
TIMCMPn	0x0000_0F01	Configure 8-bit transfer with baud rate of divide by 4 of the FlexIO clock. Set TIMCMP[15:8] = (number of bits x 2) - 1. Set TIMCMP[7:0] = (baud rate divider / 2) - 1.
TIMCFGn	0x0204_2522	Configure start bit, stop bit, enable on pin posedge with trigger low and disable on compare. Enable resynchronization

Table continues on the next page...

Table 39-5. UART Receiver with RTS Configuration (continued)

Register	Value	Comments
		to received data with TIMEOUT=0x2 and TIMRST=0x4.
TIMCTLn	0x03C0_0081	Configure dual 8-bit counter using inverted Pin 0 input. Trigger is internal using inverted Pin 1 input.
TIMCMP(n+1)	0x0000_FFFF	Never compare.
TIMCFG(n+1)	0x0030_6100	Enable on Timer N enable and disable on trigger falling edge. Decrement on trigger to ensure no compare.
TIMCTL(n+1)	0x0143_0083	Configure 16-bit counter and output on Pin 1. Trigger is internal using Shifter 0 flag.
SHIFTBUFn	Data to receive	Received data can be read from SHIFTBUFBYS[7:0], use the Shifter Status Flag to indicate when data can be read using interrupt or DMA request. Can support MSB first transfer by reading from SHIFTBUFBIS[7:0] register instead.

39.5.3 SPI Master

SPI master mode can be supported using two Timers, two Shifters and four Pins. Either CPHA=0 or CPHA=1 can be supported and transfers can be supported using the DMA controller. For CPHA=1, the select can remain asserted for multiple transfers and the timer status flag can be used to indicate the end of the transfer.

The stop bit is used to guarantee a minimum of 1 clock cycle between the slave select negating and before the next transfer. Writing to the transmit buffer by either core or DMA is used to initiate each transfer.

Due to synchronization delays, the setup time for the serial input data is 1.5 FlexIO clock cycles, so the maximum baud rate is divide by 4 of the FlexIO clock frequency.

Table 39-6. SPI Master (CPHA=0) Configuration

Register	Value	Comments
SHIFTCFGn	0x0000_0000	Start and stop bit disabled.
SHIFCTLn	0x0083_0002	Configure transmit using Timer 0 on negeedge of clock with output data on Pin 0.
SHIFTCFG(n+1)	0x0000_0000	Start and stop bit disabled.

Table continues on the next page...

Table 39-6. SPI Master (CPHA=0) Configuration (continued)

Register	Value	Comments
SHIFTCTL(n+1)	0x0000_0101	Configure receive using Timer 0 on posedge of clock with input data on Pin 1.
TIMCMPn	0x0000_3F01	Configure 32-bit transfer with baud rate of divide by 4 of the FlexIO clock. Set TIMCMP[15:8] = (number of bits x 2) - 1. Set TIMCMP[7:0] = (baud rate divider / 2) - 1.
TIMCFGn	0x0100_2222	Configure start bit, stop bit, enable on trigger high and disable on compare, initial clock state is logic 0. Set PINPOL to invert the output shift clock.
TIMCTLn	0x01C3_0201	Configure dual 8-bit counter using Pin 2 output (shift clock), with Shifter 0 flag as the inverted trigger.
TIMCMP(n+1)	0x0000_FFFF	Never compare.
TIMCFG(n+1)	0x0000_1100	Enable when Timer 0 is enabled and disable when Timer 0 is disabled.
TIMCTL(n+1)	0x0003_0383	Configure 16-bit counter (never compare) using inverted Pin 3 output (as slave select).
SHIFTBUFn	Data to transmit	Transmit data can be written to SHIFTBUF, use the Shifter Status Flag to indicate when data can be written using interrupt or DMA request. Can support MSB first transfer by writing to SHIFTBUFBBS register instead.
SHIFTBUF(n+1)	Data to receive	Received data can be read from SHIFTBUFBYS, use the Shifter Status Flag to indicate when data can be read using interrupt or DMA request. Can support MSB first transfer by reading from SHIFTBUFBIS register instead.

Table 39-7. SPI Master (CPHA=1) Configuration

Register	Value	Comments
SHIFTCFGn	0x0000_0021	Start bit loads data on first shift.
SHIFTCTLn	0x0003_0002	Configure transmit using Timer 0 on posedge of clock with output data on Pin 0.
SHIFTCFG(n+1)	0x0000_0000	Start and stop bit disabled.
SHIFTCTL(n+1)	0x0080_0101	Configure receive using Timer 0 on negedge of clock with input data on Pin 1.
TIMCMPn	0x0000_3F01	Configure 32-bit transfer with baud rate of divide by 4 of the FlexIO clock. Set TIMCMP[15:8] = (number of bits x 2) - 1.

Table continues on the next page...

Table 39-7. SPI Master (CPHA=1) Configuration (continued)

Register	Value	Comments
		Set TIMCMP[7:0] = (baud rate divider / 2) - 1.
TIMCFGn	0x0100_2222	Configure start bit, stop bit, enable on trigger high and disable on compare, initial clock state is logic 0. Set PINPOL to invert the output shift clock. Set TIMDIS=3 to keep slave select asserted for as long as there is data in the transmit buffer.
TIMCTLn	0x01C3_0201	Configure dual 8-bit counter using Pin 2 output (shift clock), with Shifter 0 flag as the inverted trigger.
TIMCMP(n+1)	0x0000_FFFF	Never compare.
TIMCFG(n+1)	0x0000_1100	Enable when Timer 0 is enabled and disable when Timer 0 is disabled.
TIMCTL(n+1)	0x0003_0383	Configure 16-bit counter (never compare) using inverted Pin 3 output (as slave select).
SHIFTBUFn	Data to transmit	Transmit data can be written to SHIFTBUF, use the Shifter Status Flag to indicate when data can be written using interrupt or DMA request. Can support MSB first transfer by writing to SHIFTBUFBBS register instead.
SHIFTBUF(n+1)	Data to receive	Received data can be read from SHIFTBUFBYS, use the Shifter Status Flag to indicate when data can be read using interrupt or DMA request. Can support MSB first transfer by reading from SHIFTBUFBIS register instead.

39.5.4 SPI Slave

SPI slave mode can be supported using one Timer, two Shifters and four Pins. Either CPHA=0 or CPHA=1 can be supported and transfers can be supported using the DMA controller. For CPHA=1, the select can remain asserted for multiple transfers and the timer status flag can be used to indicate the end of the transfer.

The transmit data must be written to the transmit buffer register before the external slave select asserts, otherwise the shifter error flag will be set.

Due to synchronization delays, the output valid time for the serial output data is 2.5 FlexIO clock cycles, so the maximum baud rate is divide by 6 of the FlexIO clock frequency.

Table 39-8. SPI Slave (CPHA=0) Configuration

Register	Value	Comments
SHIFTCFGn	0x0000_0000	Start and stop bit disabled.
SHIFTCTLn	0x0083_0002	Configure transmit using Timer 0 on falling edge of shift clock with output data on Pin 0.
SHIFTCFG(n+1)	0x0000_0000	Start and stop bit disabled.
SHIFTCTL(n+1)	0x0000_0101	Configure receive using Timer 0 on rising edge of shift clock with input data on Pin 1.
TIMCMPn	0x0000_003F	Configure 32-bit transfer. Set TIMCMP[15:0] = (number of bits x 2) - 1.
TIMCFGn	0x0120_6000	Configure enable on trigger rising edge, initial clock state is logic 0 and decrement on pin input.
TIMCTLn	0x06C0_0203	Configure 16-bit counter using Pin 2 input (shift clock), with Pin 3 input (slave select) as the inverted trigger.
SHIFTBUFn	Data to transmit	Transmit data can be written to SHIFTBUF, use the Shifter Status Flag to indicate when data can be written using interrupt or DMA request. Can support MSB first transfer by writing to SHIFTBUFBBS register instead.
SHIFTBUF(n+1)	Data to receive	Received data can be read from SHIFTBUFBYS, use the Shifter Status Flag to indicate when data can be read using interrupt or DMA request. Can support MSB first transfer by reading from SHIFTBUFBIS register instead.

Table 39-9. SPI Slave (CPHA=1) Configuration

Register	Value	Comments
SHIFTCFGn	0x0000_0001	Shifter configured to load on first shift and stop bit disabled.
SHIFTCTLn	0x0003_0002	Configure transmit using Timer 0 on rising edge of shift clock with output data on Pin 0.
SHIFTCFG(n+1)	0x0000_0000	Start and stop bit disabled.
SHIFTCTL(n+1)	0x0080_0101	Configure receive using Timer 0 on falling edge of shift clock with input data on Pin 1.
TIMCMPn	0x0000_003F	Configure 32-bit transfer. Set TIMCMP[15:0] = (number of bits x 2) - 1.
TIMCFGn	0x0120_6602	Configure start bit, enable on trigger rising edge, disable on trigger falling edge, initial clock state is logic 0 and decrement on pin input.

Table continues on the next page...

Table 39-9. SPI Slave (CPHA=1) Configuration (continued)

Register	Value	Comments
TIMCTLn	0x06C0_0203	Configure 16-bit counter using Pin 2 input (shift clock), with Pin 3 input (slave select) as the inverted trigger.
SHIFTBUFn	Data to transmit	Transmit data can be written to SHIFTBUF, use the Shifter Status Flag to indicate when data can be written using interrupt or DMA request. Can support MSB first transfer by writing to SHIFTBUFBBS register instead.
SHIFTBUF(n+1)	Data to receive	Received data can be read from SHIFTBUFBYS, use the Shifter Status Flag to indicate when data can be read using interrupt or DMA request. Can support MSB first transfer by reading from SHIFTBUFBIS register instead.

39.5.5 I2C Master

I2C master mode can be supported using two Timers, two Shifters and two Pins. One timer is used to generate the SCL output and one timer is used to control the shifters. The two shifters are used to transmit and receive for every word, when receiving the transmitter must transmit 0xFF to tristate the output. FlexIO inserts a stop bit after every word to generate/verify the ACK/NACK. FlexIO waits for the first write to the transmit data buffer before enabling SCL generation. Data transfers can be supported using the DMA controller and the shifter error flag will set on transmit underrun or receive overflow.

The first timer generates the bit clock for the entire packet (START to Repeated START/STOP), so the compare register needs to be programmed with the total number of clock edges in the packet (minus one). The timer supports clock stretching using the reset counter when pin equal to output (although this increases both the clock high and clock low periods by at least 1 FlexIO clock cycle each). The second timer uses the SCL input pin to control the transmit/receive shift registers, this enforces an SDA data hold time by an extra 2 FlexIO clock cycles.

Both the transmit and receive shifters need to be serviced for each word in the transfer, the transmit shifter must transmit 0xFF when receiving and the receive shifter returns the data actually present on the SDA pin. The transmit shifter will load 1 additional word on the last falling edge of SCL pin, this word should be 0x00 if generating a STOP condition or 0xFF if generating a repeated START condition. During the last word of a master-receiver transfer, the transmit SSTOP bit should be set by software to generate a NACK.

The receive shift register will assert an error interrupt if a NACK is detected, but software is responsible for generating the STOP or repeated START condition. If a NACK is detected during master-transmit, the interrupt routine should immediately write the transmit shifter register with 0x00 (if generating STOP) or 0xFF (if generating repeated START). Software should then wait for the next rising edge on SCL and then disable both timers. The transmit shifter should then be disabled after waiting the setup delay for a repeated START or STOP condition.

Due to synchronization delays, the data valid time for the transmit output is 2 FlexIO clock cycles, so the maximum baud rate is divide by 6 of the FlexIO clock frequency.

The I2C master data valid is delayed 2 cycles because the clock output is passed through a synchronizer before clocking the transmit/receive shifter (to guarantee some SDA hold time). Since the SCL output is synchronous with FlexIO clock, the synchronization delay is 1 cycle and then 1 cycle to generate the output.

Table 39-10. I2C Master Configuration

Register	Value	Comments
SHIFTCFGn	0x0000_0032	Start bit enabled (logic 0) and stop bit enabled (logic 1).
SHIFTCTLn	0x0101_0082	Configure transmit using Timer 1 on rising edge of clock with inverted output enable (open drain output) on Pin 0.
SHIFTCFG(n+1)	0x0000_0020	Start bit disabled and stop bit enabled (logic 0) for ACK/NACK detection.
SHIFTCTL(n+1)	0x0180_0001	Configure receive using Timer 1 on falling edge of clock with input data on Pin 0.
TIMCMPn	0x0000_2501	Configure 2 word transfer with baud rate of divide by 4 of the FlexIO clock. Set $TIMCMP[15:8] = (\text{number of words} \times 18) + 1$. Set $TIMCMP[7:0] = (\text{baud rate divider} / 2) - 1$.
TIMCFGn	0x0102_2222	Configure start bit, stop bit, enable on trigger high, disable on compare, reset if output equals pin. Initial clock state is logic 0 and is not affected by reset.
TIMCTLn	0x01C1_0101	Configure dual 8-bit counter using Pin 1 output enable (SCL open drain), with Shifter 0 flag as the inverted trigger.
TIMCMP(n+1)	0x0000_000F	Configure 8-bit transfer. Set $TIMCMP[15:0] = (\text{number of bits} \times 2) - 1$.
TIMCFG(n+1)	0x0020_1112	Enable when Timer 0 is enabled, disable when Timer 0 is disabled, enable start bit and stop bit at end of each word, decrement on pin input.
TIMCTL(n+1)	0x01C0_0183	Configure 16-bit counter using inverted Pin 1 input (SCL).

Table continues on the next page...

Table 39-10. I2C Master Configuration (continued)

Register	Value	Comments
SHIFTBUF _n	Data to transmit	Transmit data can be written to SHIFTBUFBBS[7:0], use the Shifter Status Flag to indicate when data can be written using interrupt or DMA request.
SHIFTBUF _(n+1)	Data to receive	Received data can be read from SHIFTBUFBIS[7:0], use the Shifter Status Flag to indicate when data can be read using interrupt or DMA request.

39.5.6 I2S Master

I2S master mode can be supported using two Timers, two Shifters and four Pins. One timer is used to generate the bit clock and control the shifters and one timer is used to generate the frame sync. FlexIO waits for the first write to the transmit data buffer before enabling bit clock and frame sync generation. Data transfers can be supported using the DMA controller and the shifter error flag will set on transmit underrun or receive overflow.

The bit clock frequency is an even integer divide of the FlexIO clock frequency, and the initial frame sync assertion occurs at the same time as the first bit clock edge. The timer uses the start bit to ensure the frame sync is generated one clock cycle before the first output data.

Due to synchronization delays, the setup time for the receiver input is 1.5 FlexIO clock cycles, so the maximum baud rate is divide by 4 of the FlexIO clock frequency.

Table 39-11. I2S Master Configuration

Register	Value	Comments
SHIFTCFG _n	0x0000_0001	Load transmit data on first shift and stop bit disabled.
SHIFTCTL _n	0x0003_0002	Configure transmit using Timer 0 on rising edge of clock with output data on Pin 0.
SHIFTCFG _(n+1)	0x0000_0000	Start and stop bit disabled.
SHIFTCTL _(n+1)	0x0080_0101	Configure receive using Timer 0 on falling edge of clock with input data on Pin 1.
TIMCMP _n	0x0000_3F01	Configure 32-bit transfer with baud rate of divide by 4 of the FlexIO clock. Set TIMCMP[15:8] = (number of bits x 2) - 1. Set TIMCMP[7:0] = (baud rate divider / 2) - 1.

Table continues on the next page...

Table 39-11. I2S Master Configuration (continued)

Register	Value	Comments
TIMCFGn	0x0000_0202	Configure start bit, enable on trigger high and never disable. Initial clock state is logic 1.
TIMCTLn	0x01C3_0201	Configure dual 8-bit counter using Pin 2 output (bit clock), with Shifter 0 flag as the inverted trigger. Set PINPOL to invert the output shift clock.
TIMCMP(n+1)	0x0000_007F	Configure 32-bit transfer with baud rate of divide by 4 of the FlexIO clock. Set TIMCMP[15:0] = (number of bits x baud rate divider) - 1.
TIMCFG(n+1)	0x0000_0100	Enable when Timer 0 is enabled and never disable.
TIMCTL(n+1)	0x0003_0383	Configure 16-bit counter using inverted Pin 3 output (as frame sync).
SHIFTBUFn	Data to transmit	Transmit data can be written to SHIFTBUFBIS, use the Shifter Status Flag to indicate when data can be written using interrupt or DMA request. Can support LSB first transfer by writing to SHIFTBUF register instead.
SHIFTBUF(n+1)	Data to receive	Received data can be read from SHIFTBUFBIS, use the Shifter Status Flag to indicate when data can be read using interrupt or DMA request. Can support LSB first transfer by reading from SHIFTBUF register instead.

39.5.7 I2S Slave

I2S slave mode can be supported using two Timers, two Shifters and four Pins (for single transmit and single receive, other combinations of transmit and receive are possible).

The transmit data must be written to the transmit buffer register before the external frame sync asserts, otherwise the shifter error flag will be set.

Due to synchronization delays, the output valid time for the serial output data is 2.5 FlexIO clock cycles, so the maximum baud rate is divide by 6 of the FlexIO clock frequency.

The output valid time of I2S slave is max 2.5 cycles because there is a maximum 1.5 cycle delay on the clock synchronization plus 1 cycle to output the data

Table 39-12. I2S Slave Configuration

Register	Value	Comments
SHIFTCFGn	0x0000_0000	Start and stop bit disabled.
SHIFTCTLn	0x0103_0002	Configure transmit using Timer 1 on rising edge of shift clock with output data on Pin 0.
SHIFTCFG(n+1)	0x0000_0000	Start and stop bit disabled.
SHIFTCTL(n+1)	0x0180_0101	Configure receive using Timer 1 on falling edge of shift clock with input data on Pin 1.
TIMCMPn	0x0000_007D	Configure two 32-bit transfers per frame. Set TIMCMP[15:0] = (number of bits x 4) - 3.
TIMCFGn	0x0030_2400	Configure enable on pin rising edge (inverted frame sync) and disable on compare, initial clock state is logic 1 and decrement on trigger input (bit clock).
TIMCTLn	0x0440_0383	Configure 16-bit counter using inverted Pin 3 input (frame sync), with Pin 2 input (bit clock) as the trigger.
TIMCMP(n+1)	0x0000_003F	Configure 32-bit transfers. Set TIMCMP[15:0] = (number of bits x 2) - 1.
TIMCFG(n+1)	0x0020_3500	Configure enable on pin rising edge with trigger high and disable on compare with trigger low, initial clock state is logic 0 and decrement on pin input.
TIMCTL(n+1)	0x0340_0203	Configure 16-bit counter using Pin 2 input (bit clock), with Timer 0 output as the trigger.
SHIFTBUFn	Data to transmit	Transmit data can be written to SHIFTBUFBIS, use the Shifter Status Flag to indicate when data can be written using interrupt or DMA request. Can support LSB first transfer by writing to SHIFTBUF register instead.
SHIFTBUF(n+1)	Data to receive	Received data can be read from SHIFTBUFBIS, use the Shifter Status Flag to indicate when data can be read using interrupt or DMA request. Can support LSB first transfer by reading from SHIFTBUF register instead.

Chapter 40

General-Purpose Input/Output (GPIO)

40.1 Chip-specific GPIO information

40.1.1 GPIO instantiation information

The device includes a number of pins, PTB0, PTB1, PTD6,PTD7, PTC3, and PTC4 with high current drive capability. These pins can be used to drive LED or power MOSFET directly. The high drive capability applies to all functions which are multiplexed on these pins (LPUART, TPM, SPI, I2C, CLK_OUT...etc)

40.1.1.1 Pull devices and directions

The pull devices are enabled out of POR only on $\overline{\text{RESET}}$, $\overline{\text{NMI}}$ and respective SWD signals. Other pins can be enabled by writing to PORTx_PCRn[PE].

All the pins have controllable pull direction using the PORTx_PCRn[PS] field. All the pins default to pullup except for SWD_CLK, when enabled.

40.1.2 GPIO accessibility in the memory map

The GPIO is multi-ported and can be accessed directly by the core with zero wait states at base address 0xF800_0000. It can also be accessed by the core through the cross bar/AIPS interface at 0x400F_F000 and at an aliased slot (15) at address 0x4000_F000. All BME operations to the GPIO space can be accomplished referencing the aliased slot (15) at address 0x4000_F000. Only some of the BME operations can be accomplished referencing GPIO at address 0x400F_F000.

40.2 Introduction

The GPIO registers support 8-bit, 16-bit or 32-bit accesses.

The GPIO data direction and output data registers control the direction and output data of each pin when the pin is configured for the GPIO function. The GPIO input data register displays the logic value on each pin when the pin is configured for any digital function, provided the corresponding Port Control and Interrupt module for that pin is enabled.

Efficient bit manipulation of the general-purpose outputs is supported through the addition of set, clear, and toggle write-only registers for each port output data register.

40.2.1 Features

Features of the GPIO module include:

- Port Data Input register visible in all digital pin-multiplexing modes
- Port Data Output register with corresponding set/clear/toggle registers
- Port Data Direction register
- Zero wait state access to GPIO registers through IOPORT

NOTE

The GPIO module is clocked by system clock.

40.2.2 Modes of operation

The following table depicts different modes of operation and the behavior of the GPIO module in these modes.

Table 40-1. Modes of operation

Modes of operation	Description
Run	The GPIO module operates normally.
Wait	The GPIO module operates normally.
Stop	The GPIO module is disabled.
Debug	The GPIO module operates normally.

40.2.3 GPIO signal descriptions

Table 40-2. GPIO signal descriptions

GPIO signal descriptions	Description	I/O
PORTA31–PORTA0	General-purpose input/output	I/O
PORTB31–PORTB0	General-purpose input/output	I/O
PORTC31–PORTC0	General-purpose input/output	I/O
PORTD31–PORTD0	General-purpose input/output	I/O
PORTE31–PORTE0	General-purpose input/output	I/O

NOTE

Not all pins within each port are implemented on each device. See the chapter on signal multiplexing for the number of GPIO ports available in the device.

40.2.3.1 Detailed signal description

Table 40-3. GPIO interface-detailed signal descriptions

Signal	I/O	Description	
PORTA31–PORTA0 PORTB31–PORTB0 PORTC31–PORTC0 PORTD31–PORTD0 PORTE31–PORTE0	I/O	General-purpose input/output	
		State meaning	Asserted: The pin is logic 1. Deasserted: The pin is logic 0.
		Timing	Assertion: When output, this signal occurs on the rising-edge of the system clock. For input, it may occur at any time and input may be asserted asynchronously to the system clock. Deassertion: When output, this signal occurs on the rising-edge of the system clock. For input, it may occur at any time and input may be asserted asynchronously to the system clock.

NOTE

Not all pins within each port are implemented on each device. See the chapter on signal multiplexing for the number of GPIO ports available in the device.

40.3 Memory map and register definition

Any read or write access to the GPIO memory space that is outside the valid memory map results in a bus error.

GPIO memory map

Absolute address (hex)	Register name	Width (in bits)	Access	Reset value	Section/page
400F_F000	Port Data Output Register (GPIOA_PDOR)	32	R/W	0000_0000h	40.3.1/803
400F_F004	Port Set Output Register (GPIOA_PSOR)	32	W (always reads 0)	0000_0000h	40.3.2/804
400F_F008	Port Clear Output Register (GPIOA_PCOR)	32	W (always reads 0)	0000_0000h	40.3.3/804
400F_F00C	Port Toggle Output Register (GPIOA_PTOR)	32	W (always reads 0)	0000_0000h	40.3.4/805
400F_F010	Port Data Input Register (GPIOA_PDIR)	32	R	0000_0000h	40.3.5/805
400F_F014	Port Data Direction Register (GPIOA_PDDR)	32	R/W	0000_0000h	40.3.6/806
400F_F040	Port Data Output Register (GPIOB_PDOR)	32	R/W	0000_0000h	40.3.1/803
400F_F044	Port Set Output Register (GPIOB_PSOR)	32	W (always reads 0)	0000_0000h	40.3.2/804
400F_F048	Port Clear Output Register (GPIOB_PCOR)	32	W (always reads 0)	0000_0000h	40.3.3/804
400F_F04C	Port Toggle Output Register (GPIOB_PTOR)	32	W (always reads 0)	0000_0000h	40.3.4/805
400F_F050	Port Data Input Register (GPIOB_PDIR)	32	R	0000_0000h	40.3.5/805
400F_F054	Port Data Direction Register (GPIOB_PDDR)	32	R/W	0000_0000h	40.3.6/806
400F_F080	Port Data Output Register (GPIOC_PDOR)	32	R/W	0000_0000h	40.3.1/803
400F_F084	Port Set Output Register (GPIOC_PSOR)	32	W (always reads 0)	0000_0000h	40.3.2/804
400F_F088	Port Clear Output Register (GPIOC_PCOR)	32	W (always reads 0)	0000_0000h	40.3.3/804
400F_F08C	Port Toggle Output Register (GPIOC_PTOR)	32	W (always reads 0)	0000_0000h	40.3.4/805
400F_F090	Port Data Input Register (GPIOC_PDIR)	32	R	0000_0000h	40.3.5/805
400F_F094	Port Data Direction Register (GPIOC_PDDR)	32	R/W	0000_0000h	40.3.6/806
400F_F0C0	Port Data Output Register (GPIOD_PDOR)	32	R/W	0000_0000h	40.3.1/803

Table continues on the next page...

GPIO memory map (continued)

Absolute address (hex)	Register name	Width (in bits)	Access	Reset value	Section/page
400F_F0C4	Port Set Output Register (GPIOD_PSOR)	32	W (always reads 0)	0000_0000h	40.3.2/804
400F_F0C8	Port Clear Output Register (GPIOD_PCOR)	32	W (always reads 0)	0000_0000h	40.3.3/804
400F_F0CC	Port Toggle Output Register (GPIOD_PTOR)	32	W (always reads 0)	0000_0000h	40.3.4/805
400F_F0D0	Port Data Input Register (GPIOD_PDIR)	32	R	0000_0000h	40.3.5/805
400F_F0D4	Port Data Direction Register (GPIOD_PDDR)	32	R/W	0000_0000h	40.3.6/806
400F_F100	Port Data Output Register (GPIOE_PDOR)	32	R/W	0000_0000h	40.3.1/803
400F_F104	Port Set Output Register (GPIOE_PSOR)	32	W (always reads 0)	0000_0000h	40.3.2/804
400F_F108	Port Clear Output Register (GPIOE_PCOR)	32	W (always reads 0)	0000_0000h	40.3.3/804
400F_F10C	Port Toggle Output Register (GPIOE_PTOR)	32	W (always reads 0)	0000_0000h	40.3.4/805
400F_F110	Port Data Input Register (GPIOE_PDIR)	32	R	0000_0000h	40.3.5/805
400F_F114	Port Data Direction Register (GPIOE_PDDR)	32	R/W	0000_0000h	40.3.6/806

40.3.1 Port Data Output Register (GPIOx_PDOR)

This register configures the logic levels that are driven on each general-purpose output pins.

NOTE

Do not modify pin configuration registers associated with pins not available in your selected package. All unbonded pins not available in your package will default to DISABLE state for lowest power consumption.

Address: Base address + 0h offset

Bit	31	30	29	28	27	26	25	24	23	22	21	20	19	18	17	16	15	14	13	12	11	10	9	8	7	6	5	4	3	2	1	0
R																																
W	PDO																															
Reset	0	0	0	0	0	0	0	0	0	0	0	0	0	0	0	0	0	0	0	0	0	0	0	0	0	0	0	0	0	0	0	0

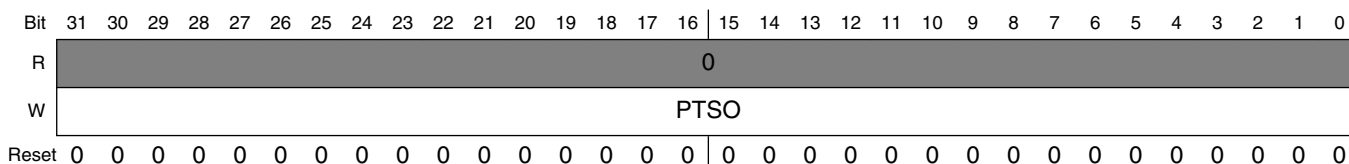
GPIOx_PDOR field descriptions

Field	Description
PDO	<p>Port Data Output</p> <p>Register bits for unbonded pins return a undefined value when read.</p> <p>0 Logic level 0 is driven on pin, provided pin is configured for general-purpose output.</p> <p>1 Logic level 1 is driven on pin, provided pin is configured for general-purpose output.</p>

40.3.2 Port Set Output Register (GPIOx_PSOR)

This register configures whether to set the fields of the PDOR.

Address: Base address + 4h offset



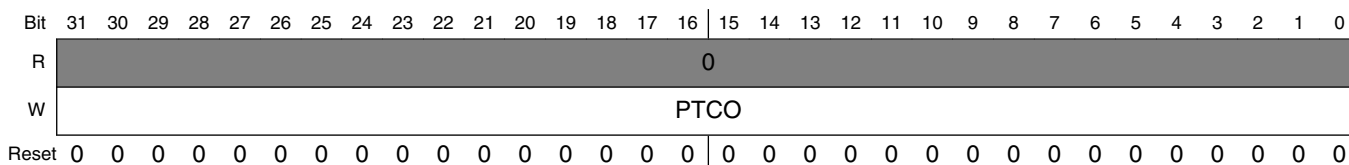
GPIOx_PSOR field descriptions

Field	Description
PTSO	<p>Port Set Output</p> <p>Writing to this register will update the contents of the corresponding bit in the PDOR as follows:</p> <p>0 Corresponding bit in PDORn does not change.</p> <p>1 Corresponding bit in PDORn is set to logic 1.</p>

40.3.3 Port Clear Output Register (GPIOx_PCOR)

This register configures whether to clear the fields of PDOR.

Address: Base address + 8h offset



GPIOx_PCOR field descriptions

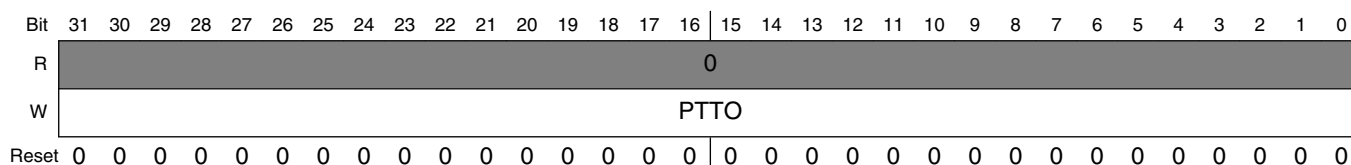
Field	Description
PTCO	Port Clear Output

GPIOx_PCOR field descriptions (continued)

Field	Description
	Writing to this register will update the contents of the corresponding bit in the Port Data Output Register (PDOR) as follows: 0 Corresponding bit in PDORn does not change. 1 Corresponding bit in PDORn is cleared to logic 0.

40.3.4 Port Toggle Output Register (GPIOx_PTOR)

Address: Base address + Ch offset



GPIOx_PTOR field descriptions

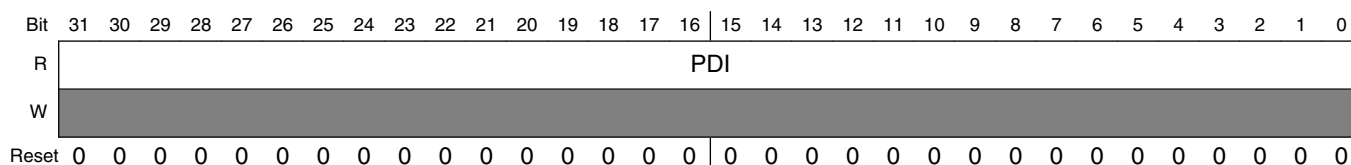
Field	Description
PTTO	Port Toggle Output Writing to this register will update the contents of the corresponding bit in the PDOR as follows: 0 Corresponding bit in PDORn does not change. 1 Corresponding bit in PDORn is set to the inverse of its existing logic state.

40.3.5 Port Data Input Register (GPIOx_PDIR)

NOTE

Do not modify pin configuration registers associated with pins not available in your selected package. All unbonded pins not available in your package will default to DISABLE state for lowest power consumption.

Address: Base address + 10h offset



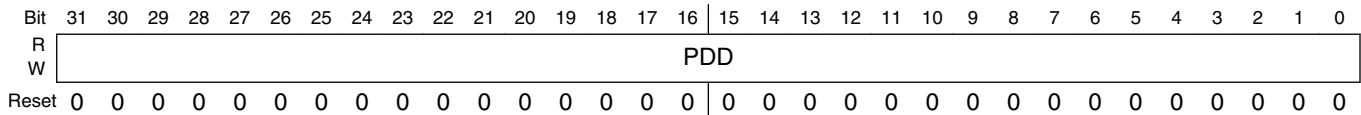
GPIOx_PDIR field descriptions

Field	Description
PDI	<p>Port Data Input</p> <p>Reads 0 at the unimplemented pins for a particular device. Pins that are not configured for a digital function read 0. If the Port Control and Interrupt module is disabled, then the corresponding bit in PDIR does not update.</p> <p>0 Pin logic level is logic 0, or is not configured for use by digital function. 1 Pin logic level is logic 1.</p>

40.3.6 Port Data Direction Register (GPIOx_PDDR)

The PDDR configures the individual port pins for input or output.

Address: Base address + 14h offset



GPIOx_PDDR field descriptions

Field	Description
PDD	<p>Port Data Direction</p> <p>Configures individual port pins for input or output.</p> <p>0 Pin is configured as general-purpose input, for the GPIO function. 1 Pin is configured as general-purpose output, for the GPIO function.</p>

40.4 FGPIO memory map and register definition

The GPIO registers are also aliased to the IOPORT interface on the Cortex-M0+ from address 0xF800_0000.

Accesses via the IOPORT interface occur in parallel with any instruction fetches and will therefore complete in a single cycle. This aliased Fast GPIO memory map is called FGPIO.

Any read or write access to the FGPIO memory space that is outside the valid memory map results in a bus error. All register accesses complete with zero wait states, except error accesses which complete with one wait state.

FGPIO memory map

Absolute address (hex)	Register name	Width (in bits)	Access	Reset value	Section/page
F800_0000	Port Data Output Register (FGPIOA_PDOR)	32	R/W	0000_0000h	40.4.1/808
F800_0004	Port Set Output Register (FGPIOA_PSOR)	32	W (always reads 0)	0000_0000h	40.4.2/809
F800_0008	Port Clear Output Register (FGPIOA_PCOR)	32	W (always reads 0)	0000_0000h	40.4.3/809
F800_000C	Port Toggle Output Register (FGPIOA_PTOR)	32	W (always reads 0)	0000_0000h	40.4.4/810
F800_0010	Port Data Input Register (FGPIOA_PDIR)	32	R	0000_0000h	40.4.5/810
F800_0014	Port Data Direction Register (FGPIOA_PDDR)	32	R/W	0000_0000h	40.4.6/811
F800_0040	Port Data Output Register (FGPIOB_PDOR)	32	R/W	0000_0000h	40.4.1/808
F800_0044	Port Set Output Register (FGPIOB_PSOR)	32	W (always reads 0)	0000_0000h	40.4.2/809
F800_0048	Port Clear Output Register (FGPIOB_PCOR)	32	W (always reads 0)	0000_0000h	40.4.3/809
F800_004C	Port Toggle Output Register (FGPIOB_PTOR)	32	W (always reads 0)	0000_0000h	40.4.4/810
F800_0050	Port Data Input Register (FGPIOB_PDIR)	32	R	0000_0000h	40.4.5/810
F800_0054	Port Data Direction Register (FGPIOB_PDDR)	32	R/W	0000_0000h	40.4.6/811
F800_0080	Port Data Output Register (FGPIOC_PDOR)	32	R/W	0000_0000h	40.4.1/808
F800_0084	Port Set Output Register (FGPIOC_PSOR)	32	W (always reads 0)	0000_0000h	40.4.2/809
F800_0088	Port Clear Output Register (FGPIOC_PCOR)	32	W (always reads 0)	0000_0000h	40.4.3/809
F800_008C	Port Toggle Output Register (FGPIOC_PTOR)	32	W (always reads 0)	0000_0000h	40.4.4/810
F800_0090	Port Data Input Register (FGPIOC_PDIR)	32	R	0000_0000h	40.4.5/810
F800_0094	Port Data Direction Register (FGPIOC_PDDR)	32	R/W	0000_0000h	40.4.6/811
F800_00C0	Port Data Output Register (FGPIOD_PDOR)	32	R/W	0000_0000h	40.4.1/808
F800_00C4	Port Set Output Register (FGPIOD_PSOR)	32	W (always reads 0)	0000_0000h	40.4.2/809
F800_00C8	Port Clear Output Register (FGPIOD_PCOR)	32	W (always reads 0)	0000_0000h	40.4.3/809

Table continues on the next page...

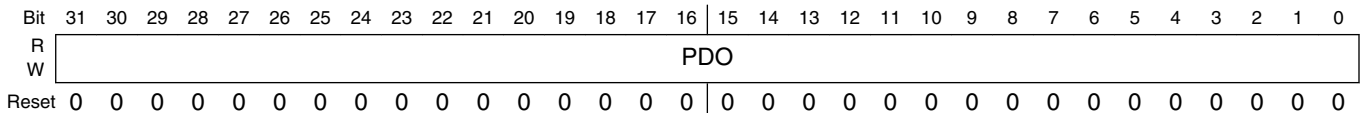
FGPIO memory map (continued)

Absolute address (hex)	Register name	Width (in bits)	Access	Reset value	Section/page
F800_00CC	Port Toggle Output Register (FGPIOD_PTOR)	32	W (always reads 0)	0000_0000h	40.4.4/810
F800_00D0	Port Data Input Register (FGPIOD_PDIR)	32	R	0000_0000h	40.4.5/810
F800_00D4	Port Data Direction Register (FGPIOD_PDDR)	32	R/W	0000_0000h	40.4.6/811
F800_0100	Port Data Output Register (FGPIOE_PDOR)	32	R/W	0000_0000h	40.4.1/808
F800_0104	Port Set Output Register (FGPIOE_PSOR)	32	W (always reads 0)	0000_0000h	40.4.2/809
F800_0108	Port Clear Output Register (FGPIOE_PCOR)	32	W (always reads 0)	0000_0000h	40.4.3/809
F800_010C	Port Toggle Output Register (FGPIOE_PTOR)	32	W (always reads 0)	0000_0000h	40.4.4/810
F800_0110	Port Data Input Register (FGPIOE_PDIR)	32	R	0000_0000h	40.4.5/810
F800_0114	Port Data Direction Register (FGPIOE_PDDR)	32	R/W	0000_0000h	40.4.6/811

40.4.1 Port Data Output Register (FGPIOx_PDOR)

This register configures the logic levels that are driven on each general-purpose output pins.

Address: Base address + 0h offset



FGPIOx_PDOR field descriptions

Field	Description
PDO	<p>Port Data Output</p> <p>Unimplemented pins for a particular device read as zero.</p> <p>0 Logic level 0 is driven on pin, provided pin is configured for general-purpose output.</p> <p>1 Logic level 1 is driven on pin, provided pin is configured for general-purpose output.</p>

40.4.2 Port Set Output Register (FGPIOx_PSOR)

This register configures whether to set the fields of the PDOR.

Address: Base address + 4h offset

Bit	31	30	29	28	27	26	25	24	23	22	21	20	19	18	17	16	15	14	13	12	11	10	9	8	7	6	5	4	3	2	1	0
R	0																															
W	PTSO																															
Reset	0	0	0	0	0	0	0	0	0	0	0	0	0	0	0	0	0	0	0	0	0	0	0	0	0	0	0	0	0	0	0	0

FGPIOx_PSOR field descriptions

Field	Description
PTSO	Port Set Output Writing to this register will update the contents of the corresponding bit in the PDOR as follows: 0 Corresponding bit in PDORn does not change. 1 Corresponding bit in PDORn is set to logic 1.

40.4.3 Port Clear Output Register (FGPIOx_PCOR)

This register configures whether to clear the fields of PDOR.

Address: Base address + 8h offset

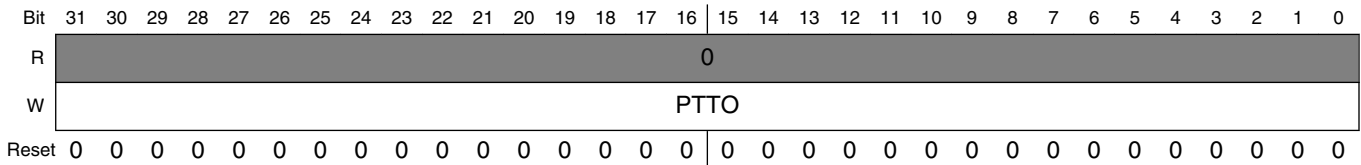
Bit	31	30	29	28	27	26	25	24	23	22	21	20	19	18	17	16	15	14	13	12	11	10	9	8	7	6	5	4	3	2	1	0
R	0																															
W	PTCO																															
Reset	0	0	0	0	0	0	0	0	0	0	0	0	0	0	0	0	0	0	0	0	0	0	0	0	0	0	0	0	0	0	0	0

FGPIOx_PCOR field descriptions

Field	Description
PTCO	Port Clear Output Writing to this register will update the contents of the corresponding bit in the Port Data Output Register (PDOR) as follows: 0 Corresponding bit in PDORn does not change. 1 Corresponding bit in PDORn is cleared to logic 0.

40.4.4 Port Toggle Output Register (FGPIOx_PTOR)

Address: Base address + Ch offset

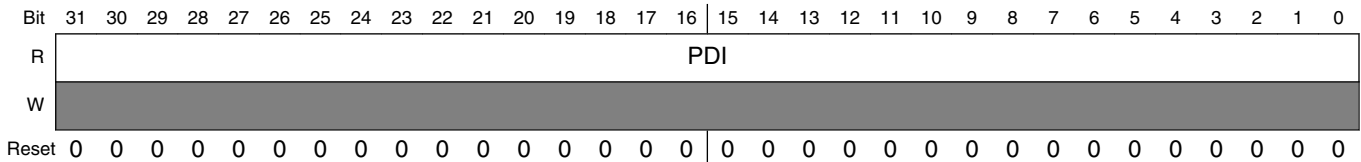


FGPIOx_PTOR field descriptions

Field	Description
PTTO	<p>Port Toggle Output</p> <p>Writing to this register will update the contents of the corresponding bit in the PDOR as follows:</p> <p>0 Corresponding bit in PDORn does not change.</p> <p>1 Corresponding bit in PDORn is set to the inverse of its existing logic state.</p>

40.4.5 Port Data Input Register (FGPIOx_PDIR)

Address: Base address + 10h offset



FGPIOx_PDIR field descriptions

Field	Description
PDI	<p>Port Data Input</p> <p>Reads 0 at the unimplemented pins for a particular device. Pins that are not configured for a digital function read 0. If the Port Control and Interrupt module is disabled, then the corresponding bit in PDIR does not update.</p> <p>0 Pin logic level is logic 0, or is not configured for use by digital function.</p> <p>1 Pin logic level is logic 1.</p>

40.4.6 Port Data Direction Register (FGPIOx_PDDR)

The PDDR configures the individual port pins for input or output.

Address: Base address + 14h offset

Bit	31	30	29	28	27	26	25	24	23	22	21	20	19	18	17	16	15	14	13	12	11	10	9	8	7	6	5	4	3	2	1	0
R																																
W																																
Reset	0	0	0	0	0	0	0	0	0	0	0	0	0	0	0	0	0	0	0	0	0	0	0	0	0	0	0	0	0	0	0	0

FGPIOx_PDDR field descriptions

Field	Description
PDD	<p>Port Data Direction</p> <p>Configures individual port pins for input or output.</p> <p>0 Pin is configured as general-purpose input, for the GPIO function.</p> <p>1 Pin is configured as general-purpose output, for the GPIO function.</p>

40.5 Functional description

40.5.1 General-purpose input

The logic state of each pin is available via the Port Data Input registers, provided the pin is configured for a digital function and the corresponding Port Control and Interrupt module is enabled.

40.5.2 General-purpose output

The logic state of each pin can be controlled via the port data output registers and port data direction registers, provided the pin is configured for the GPIO function. The following table depicts the conditions for a pin to be configured as input/output.

If	Then
A pin is configured for the GPIO function and the corresponding port data direction register bit is clear.	The pin is configured as an input.
A pin is configured for the GPIO function and the corresponding port data direction register bit is set.	The pin is configured as an output and the logic state of the pin is equal to the corresponding port data output register.

Functional description

To facilitate efficient bit manipulation on the general-purpose outputs, pin data set, pin data clear, and pin data toggle registers exist to allow one or more outputs within one port to be set, cleared, or toggled from a single register write.

The corresponding Port Control and Interrupt module does not need to be enabled to update the state of the port data direction registers and port data output registers including the set/clear/toggle registers.

40.5.3 IOPORT

The GPIO registers are also aliased to the IOPORT interface on the Cortex-M0+ from address 0xF800_0000. Accesses via the IOPORT interface occur in parallel with any instruction fetches and will therefore complete in a single cycle. If the DMA attempts to access the GPIO registers on the same cycle as an IOPORT access, then the DMA access will stall until any IOPORT accesses have completed.

During Compute Operation, the GPIO registers remain accessible via the IOPORT interface only. Since the clocks to the Port Control and Interrupt modules are disabled during Compute Operation, the Pin Data Input Registers do not update with the current state of the pins.

Chapter 41

LCD Controller (SLCD)

41.1 Chip-specific SLCD information

41.1.1 Overview

The device includes one Segment LCD (SLCD) module with up to 8 backplanes and up to 47 frontplanes, such as 8X47 or 4X51. The SLCD derives from Kinetis with segment fault detection function.

41.1.2 LCD clock source

The following table shows the LCD clock and the corresponding chip clock source options controlled by LCD_GCR[SOURCE] and LCD_GCR[ALTSOURCE] control bits.

Table 41-1. LCD clock source

Module clock	Chip clock
Default clock (external crystal or reference clock) (LCD_GCR[SOURCE] = 0 and LCD_GCR[ALTSOURCE] = x)	Default clock is ERCLK32K. This clock source is controlled from SIM_SOPT1[OSC32KSEL] bit. For LCD operation the low range system OSC output clock (OSC32KCLK) or RTC_CLKIN are acceptable clock selections. When selecting RTC_CLKIN, the external pin must be clocking at a frequency that meets operating frequency requirements for the SLCD module. The 1kHz LPO clock is not in a valid operating range for the LCD and should not be selected when ERCLK32K is the selected clock source for the LCD.
Alternate clock (LCD_GCR[SOURCE] = 1 and LCD_GCR[ALTSOURCE] = 0)	Alternate clock is the MCGIRCLK that is either the 8 MHz fast internal reference clock or the 2 MHz fast internal reference clocks that can be divided down using MCG_SC[FCRDIV]. This option is selected by the user in the MCG module. The clock defaults to 8MHz fast internal reference clock.
Alternate2 clock (LCD_GCR[SOURCE] = 1 and LCD_GCR[ALTSOURCE] = 1)	Alternate2 clock is OSCERCLK.

41.1.3 Segment LCD Interrupts

The Segment LCD may have multiple interrupt sources. If so, all of these sources are OR'd together to generate a single interrupt request. Read related status registers to determine the cause of the interrupt.

41.2 Introduction

The SLCD module is a CMOS charge pump voltage inverter that is designed for low-voltage and low-power operation. SLCD is designed to generate the appropriate waveforms to drive multiplexed numeric, alphanumeric, or custom segment LCD panels. SLCD also has several timing and control settings that can be software configured depending on the application's requirements. Timing and control consists of registers and control logic for:

- LCD frame frequency
- Duty cycle selection
- Front plane/back plane selection and enabling
- Blink modes and frequency
- Operation in low-power modes

41.2.1 Features

SLCD includes these features:

- LCD waveforms functional in all low-power modes except VLLS0 mode
- 64 LCD pins with selectable front plane/back plane configuration to:
 - Generate up to 63 front plane signals
 - Generate up to 8 back plane signals
- Programmable LCD frame frequency
- Programmable blink modes and frequency
 - All segments blank during blink period

- Alternate display for each LCD segment in x4 or less mode
- Blink operation in low-power modes
- Programmable LCD duty cycle from static to 1/8
- Programmable LCD power supply switch, making it an ideal solution for battery-powered and board-level applications
 - Charge pump that requires only four external capacitors
 - Internal LCD power using V_{DD}
 - Internal V_{IREG} regulated power supply option
 - External V_{LL3} power supply option
- Internal regulated voltage source with a 4-bit trim register to apply contrast control
- Integrated charge pump for generating LCD bias voltages
 - On-chip generation of bias voltages
- Waveform storage registers (WF)
- Low power consumption in standby modes
- Back plane reassignment to assist in vertical scrolling on dot-matrix displays
- Support for segment fault detection

41.2.2 Modes of operation

SLCD supports the following operating modes:

Table 41-2. SLCD operation modes

Mode	LCD behavior
Run	SLCD can operate an LCD panel. SLCD continues displaying the current LCD panel contents based on the WF registers.
Wait	Depending on the configuration, SLCD can operate an LCD panel in Wait mode. If LCDDOZE = 1, SLCD clock generation is turned off and the SLCD enters a power-conservation state and is disabled. If LCDDOZE = 0, the LCD controller can operate an LCD panel in Wait mode, and SLCD continues displaying the current LCD panel contents based on the WF registers. In Wait mode, the LCD fault detection complete interrupt can cause the MCU to exit Wait.

Table continues on the next page...

Table 41-2. SLCD operation modes (continued)

Mode	LCD behavior
Stop	Depending on the state of the LCDSTP bit, SLCD can operate an LCD panel in Stop mode. If LCDSTP = 1, SLCD clock generation is turned off and the LCD controller enters a power conservation state and is disabled. If LCDSTP = 0, the LCD controller can operate an LCD panel in Stop mode, and SLCD continues to display the current LCD panel contents based on the LCD operation prior to the Stop event. If the LCD is enabled in Stop mode, the selected LCD clock source must be enabled to operate in Stop mode.
VLPR	SLCD behavior is the same as in Run mode.
VLPW	SLCD behavior is the same as in Wait mode.
VLPS	SLCD behavior is the same as in Stop mode.
LLS	SLCD behavior is the same as in Stop mode.
VLLS3	SLCD behavior is the same as in Stop mode.
VLLS1	SLCD behavior is the same as in Stop mode.

NOTE

LCD End of Frame wakeup is not supported in LLS and VLLSx modes.

NOTE

The clock source and power modes are chip-specific. For the clock source and power-mode assignments, see the chapter that describes how modules are configured.

41.2.3 Block diagram

Figure 41-1 shows the SLCD block diagram.

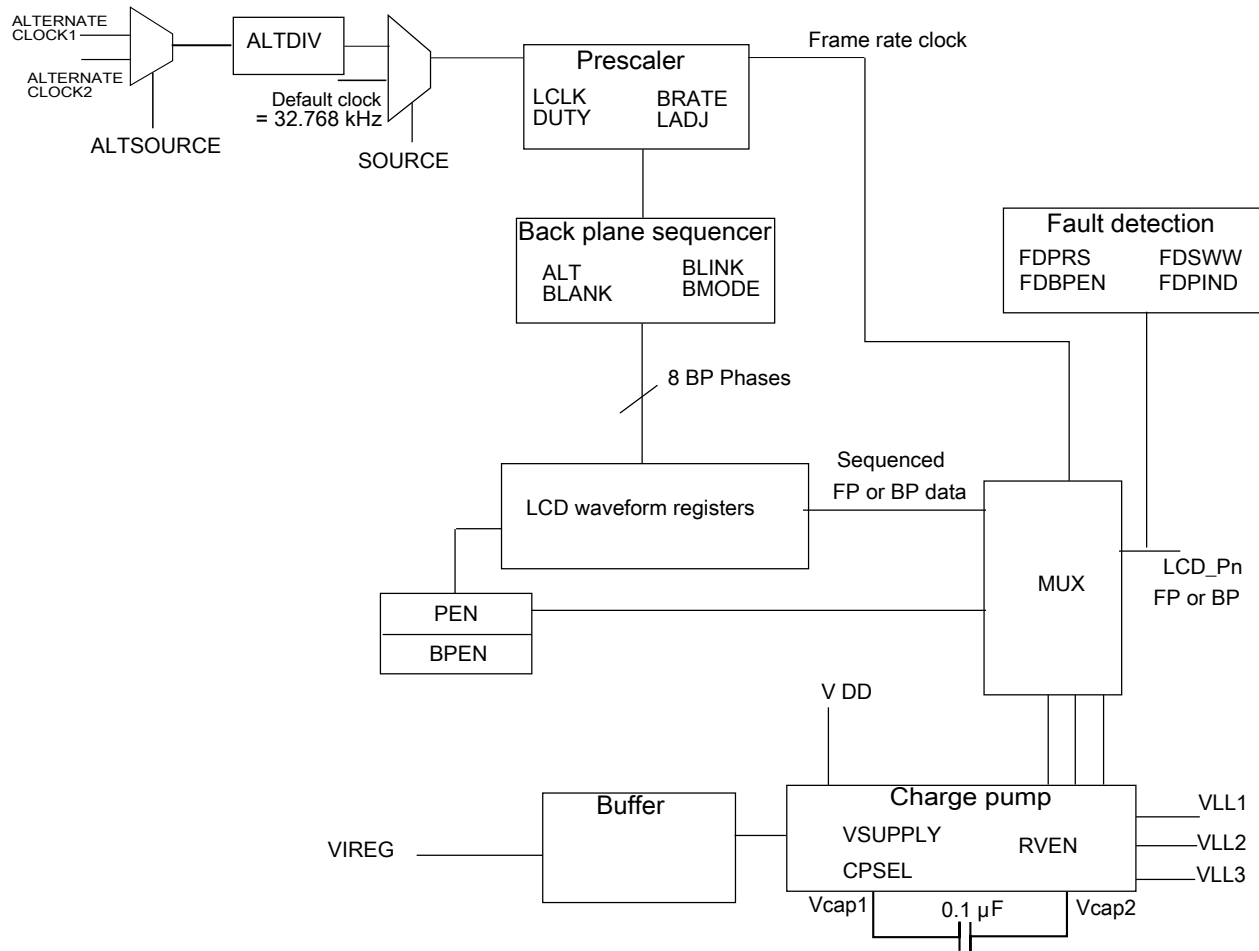


Figure 41-1. SLCD block diagram

41.3 LCD signal descriptions

SLCD has several external pins dedicated to power supply and LCD front plane/back plane signaling. SLCD can be configured to support up to eight back plane signals. This table lists and describes the LCD external signals or pins.

Table 41-3. LCD signal descriptions

Signal	Description	I/O
LCD_P[63:0] . 64 LCD front plane/back plane	Configurable front plane/back plane driver that connects directly to the display LCD_P[63:0] can operate as GPIO pins	O
V _{LL1} , V _{LL2} , V _{LL3} . LCD bias voltages	LCD bias voltages (requires external capacitors when charge pump is used)	I/O
V _{cap1} , V _{cap2} . LCD charge pump capacitance	Charge pump capacitor pins	O

41.3.1 LCD_P[63:0]

When LCD functionality is enabled by the PEN[63:0] bits in the PEN registers, the corresponding LCD_P[63:0] pin generates a front plane or back plane waveform depending on the configuration of the back plane enable field (BPEN[63:0]).

41.3.2 V_{LL1} , V_{LL2} , V_{LL3}

V_{LL1} , V_{LL2} , and V_{LL3} are bias voltages for the LCD controller driver waveforms that can be internally generated using the internal charge pump, when enabled. When using the LCD charge pump, CPSEL = 1, a 0.1 μ F capacitor (C_{BYLCD}) must be placed from V_{LLx} to ground. The charge pump can also be configured to accept V_{LL3} as an input and generate V_{LL1} and V_{LL2} . V_{LL3} must never be connected to a voltage other than V_{DD} . Refer to VSUPPLY explanation.

NOTE

LCD pins assigned to VCAP1 and VCAP2 may only be enabled if the pins are in charge pump mode (CPSEL=1).

- When CPSEL=0 and LADJ = 00 or 01, VLL1/2 pins cannot be used as LCD_P pins.
- When CPSEL=0 and LADJ = 10 or 11, VLL1/2 pins can be configured as LCD_P pins or GPIO pins and cannot be configured as bias voltage.
- When CPSEL=1, VLL1/2 cannot be used as LCD_P pins.

41.3.3 V_{cap1} , V_{cap2}

The charge pump capacitor (C_{LCD}) is used to transfer charge from the input supply to the regulated output. Use a ceramic capacitor. A 0.1 μ F capacitor must be placed between these two pins.

41.4 Memory map and register definition

The total address for each register is the sum of the base address for SLCD and the address offset for each register.

This section consists of register descriptions. Each description includes a standard register diagram. Details of register bit and field function follow the register diagrams, in bit order.

LCD memory map

Absolute address (hex)	Register name	Width (in bits)	Access	Reset value	Section/page
4005_3000	LCD General Control Register (LCD_GCR)	32	R/W	See section	41.4.1/820
4005_3004	LCD Auxiliary Register (LCD_AR)	32	R/W	0000_0000h	41.4.2/824
4005_3008	LCD Fault Detect Control Register (LCD_FDCR)	32	R/W	0000_0000h	41.4.3/826
4005_300C	LCD Fault Detect Status Register (LCD_FDSR)	32	R/W	0000_0000h	41.4.4/828
4005_3010	LCD Pin Enable register (LCD_PENL)	32	R/W	0000_0000h	41.4.5/829
4005_3014	LCD Pin Enable register (LCD_PENH)	32	R/W	0000_0000h	41.4.5/829
4005_3018	LCD Back Plane Enable register (LCD_BPENL)	32	R/W	0000_0000h	41.4.6/830
4005_301C	LCD Back Plane Enable register (LCD_BPENH)	32	R/W	0000_0000h	41.4.6/830
4005_3020	LCD Waveform register (LCD_WF3TO0)	32	R/W	0000_0000h	41.4.7/830
4005_3024	LCD Waveform register (LCD_WF7TO4)	32	R/W	0000_0000h	41.4.8/831
4005_3028	LCD Waveform register (LCD_WF11TO8)	32	R/W	0000_0000h	41.4.9/832
4005_302C	LCD Waveform register (LCD_WF15TO12)	32	R/W	0000_0000h	41.4.10/ 833
4005_3030	LCD Waveform register (LCD_WF19TO16)	32	R/W	0000_0000h	41.4.11/ 833
4005_3034	LCD Waveform register (LCD_WF23TO20)	32	R/W	0000_0000h	41.4.12/ 834
4005_3038	LCD Waveform register (LCD_WF27TO24)	32	R/W	0000_0000h	41.4.13/ 834
4005_303C	LCD Waveform register (LCD_WF31TO28)	32	R/W	0000_0000h	41.4.14/ 835
4005_3040	LCD Waveform register (LCD_WF35TO32)	32	R/W	0000_0000h	41.4.15/ 835
4005_3044	LCD Waveform register (LCD_WF39TO36)	32	R/W	0000_0000h	41.4.16/ 836
4005_3048	LCD Waveform register (LCD_WF43TO40)	32	R/W	0000_0000h	41.4.17/ 837
4005_304C	LCD Waveform register (LCD_WF47TO44)	32	R/W	0000_0000h	41.4.18/ 837
4005_3050	LCD Waveform register (LCD_WF51TO48)	32	R/W	0000_0000h	41.4.19/ 838
4005_3054	LCD Waveform register (LCD_WF55TO52)	32	R/W	0000_0000h	41.4.20/ 838
4005_3058	LCD Waveform register (LCD_WF59TO56)	32	R/W	0000_0000h	41.4.21/ 839
4005_305C	LCD Waveform register (LCD_WF63TO60)	32	R/W	0000_0000h	41.4.22/ 839

41.4.1 LCD General Control Register (LCD_GCR)

Write: LCDEN anytime. Do not change SOURCE, LCLK, or DUTY while LCDEN = 1. For proper operation, do not modify VSUPPLY while the LCDEN bit is asserted. VSUPPLY must also be configured according to the external hardware power supply configuration.

NOTE

The reset value of this register depends on the reset type:

- POR -- 0x0830_0003

Address: 4005_3000h base + 0h offset = 4005_3000h

Bit	31	30	29	28	27	26	25	24	23	22	21	20	19	18	17	16
R	RVEN	0			RVTRIM				CPSEL	Reserved	LADJ		0	0	VSUPPLY	0
W																
Reset		0	0	0	1	0	0	0	0	0	1	1	0	0	0	0
Bit	15	14	13	12	11	10	9	8	7	6	5	4	3	2	1	0
R	PADSAFE	FDCIEN	ALTDIV		ALTSOURCE	FFR	LCDDOZE	LCDSTP	LCDEN	SOURCE	LCLK		DUTY			
W																
Reset	0	0	0	0	0	0	0	0	0	0	0	0	0	0	1	1

LCD_GCR field descriptions

Field	Description
31 RVEN	Regulated Voltage Enable Enables internal voltage regulator. It must have the charge pump enabled. See Table 41-14 for more information about this bitfield configuration. 0 Regulated voltage disabled. 1 Regulated voltage enabled.
30-28 Reserved	Reserved This field is reserved. This read-only field is reserved and always has the value 0.
27-24 RVTRIM	Regulated Voltage Trim This 4-bit trim register is used to adjust the regulated input. Each bit in the register has equal weight. The regulated input is changed by 1.5% for each count.

Table continues on the next page...

LCD_GCR field descriptions (continued)

Field	Description				
23 CPSEL	<p>Charge Pump or Resistor Bias Select</p> <p>Selects the LCD controller charge pump or a resistor network to supply the LCD voltages V_{LL1}, V_{LL2}, and V_{LL3}.</p> <p>0 LCD charge pump is disabled. Resistor network selected. (The internal 1/3-bias is forced.) 1 LCD charge pump is selected. Resistor network disabled. (The internal 1/3-bias is forced.)</p>				
22 Reserved	<p>Reserved</p> <p>This field is reserved.</p> <p>NOTE: This bit should always be zero and nothing should be written to it</p>				
21–20 LADJ	<p>Load Adjust</p> <p>Configures SLCD to handle different LCD glass capacitance.</p> <table border="1"> <tbody> <tr> <td>For CPSEL = 0</td> <td> <p>Adjust the resistor bias network for different LCD glass capacitance.</p> <p>00 — Low Load (LCD glass capacitance 2000 pF or lower).</p> <p>01 — Low Load (LCD glass capacitance 2000 pF or lower).</p> <p>10 — High Load (LCD glass capacitance 8000 pF or lower) .</p> <p>11 — High Load (LCD glass capacitance 8000 pF or lower).</p> </td> </tr> <tr> <td>For CPSEL = 1</td> <td> <ul style="list-style-type: none"> Adjust the clock source for the charge pump. Higher loads require higher charge pump clock rates. <p>00 — Fastest clock source for charge pump (LCD glass capacitance 8000 pF or 4000pF or lower if FFR is set).</p> <p>01 — Intermediate clock source for charge pump (LCD glass capacitance 4000 pF or 2000pF or lower if FFR is set).</p> <p>10 — Intermediate clock source for charge pump (LCD glass capacitance 2000 pF or 1000pF or lower if FFR is set).</p> <p>11 — Slowest clock source for charge pump (LCD glass capacitance 1000 pF or 500pF or lower if FFR is set).</p> </td> </tr> </tbody> </table>	For CPSEL = 0	<p>Adjust the resistor bias network for different LCD glass capacitance.</p> <p>00 — Low Load (LCD glass capacitance 2000 pF or lower).</p> <p>01 — Low Load (LCD glass capacitance 2000 pF or lower).</p> <p>10 — High Load (LCD glass capacitance 8000 pF or lower) .</p> <p>11 — High Load (LCD glass capacitance 8000 pF or lower).</p>	For CPSEL = 1	<ul style="list-style-type: none"> Adjust the clock source for the charge pump. Higher loads require higher charge pump clock rates. <p>00 — Fastest clock source for charge pump (LCD glass capacitance 8000 pF or 4000pF or lower if FFR is set).</p> <p>01 — Intermediate clock source for charge pump (LCD glass capacitance 4000 pF or 2000pF or lower if FFR is set).</p> <p>10 — Intermediate clock source for charge pump (LCD glass capacitance 2000 pF or 1000pF or lower if FFR is set).</p> <p>11 — Slowest clock source for charge pump (LCD glass capacitance 1000 pF or 500pF or lower if FFR is set).</p>
For CPSEL = 0	<p>Adjust the resistor bias network for different LCD glass capacitance.</p> <p>00 — Low Load (LCD glass capacitance 2000 pF or lower).</p> <p>01 — Low Load (LCD glass capacitance 2000 pF or lower).</p> <p>10 — High Load (LCD glass capacitance 8000 pF or lower) .</p> <p>11 — High Load (LCD glass capacitance 8000 pF or lower).</p>				
For CPSEL = 1	<ul style="list-style-type: none"> Adjust the clock source for the charge pump. Higher loads require higher charge pump clock rates. <p>00 — Fastest clock source for charge pump (LCD glass capacitance 8000 pF or 4000pF or lower if FFR is set).</p> <p>01 — Intermediate clock source for charge pump (LCD glass capacitance 4000 pF or 2000pF or lower if FFR is set).</p> <p>10 — Intermediate clock source for charge pump (LCD glass capacitance 2000 pF or 1000pF or lower if FFR is set).</p> <p>11 — Slowest clock source for charge pump (LCD glass capacitance 1000 pF or 500pF or lower if FFR is set).</p>				
19 Reserved	<p>Reserved</p> <p>This field is reserved. This read-only field is reserved and always has the value 0.</p>				
18 Reserved	<p>Reserved</p> <p>This field is reserved.</p>				

Table continues on the next page...

LCD_GCR field descriptions (continued)

Field	Description
	This read-only field is reserved and always has the value 0.
17 VSUPPLY	<p>Voltage Supply Control</p> <p>Configures whether the LCD controller power supply is external or internal. Avoid modifying this field while the LCD controller is enabled, for example, if LCDEN = 1.</p> <p>0 Drive V_{LL3} internally from V_{DD} 1 Drive V_{LL3} externally from V_{DD} or drive V_{LL1} internally from V_{IREG}</p>
16 Reserved	<p>This field is reserved.</p> <p>This read-only field is reserved and always has the value 0.</p>
15 PADSAFE	<p>Pad Safe State Enable</p> <p>Force safe state on LCD pad controls (all LCD frontplane and backplane functions disabled) regardless of other LCD control bits.</p> <p>0 LCD frontplane and backplane functions enabled according to other LCD control bits 1 LCD frontplane and backplane functions disabled</p>
14 FDCIEN	<p>LCD Fault Detection Complete Interrupt Enable</p> <p>Enables an LCD interrupt event when fault detection is completed.</p> <p>0 No interrupt request is generated by this event. 1 When a fault is detected and FDCF bit is set, this event causes an interrupt request.</p>
13–12 ALTDIV	<p>LCD Alternate Clock Divider</p> <p>Functions as a clock divider to divide the alternate clock before it is selected as LCD clock source.</p> <p>00 Divide factor = 1 (No divide) 01 Divide factor = 64 10 Divide factor = 256 11 Divide factor = 512</p>
11 ALTSOURCE	<p>Selects the alternate clock source</p> <p>0 Select Alternate Clock Source 1 (default) 1 Select Alternate Clock Source 2</p>
10 FFR	<p>Fast Frame Rate Select</p> <p>Increases the Frame Clock Frequency.</p> <p>0 Standard Frame Rate LCD Frame Freq: 23.3 (min) 73.1 (max) 1 Fast Frame Rate (Standard Frame Rate $\times 2$) LCD Frame Freq: 46.6 (min) 146.2 (max)</p>
9 LCDDOZE	<p>LCD Doze enable</p> <p>LCD driver, charge pump, resistor bias network, and voltage regulator stop while in Doze mode.</p> <p>0 Allows the LCD driver, charge pump, resistor bias network, and voltage regulator to continue running during Doze mode. 1 Disables the LCD driver, charge pump, resistor bias network, and voltage regulator when MCU enters Doze mode.</p>
8 LCDSTP	LCD Stop

Table continues on the next page...

LCD_GCR field descriptions (continued)

Field	Description
	<p>LCD driver, charge pump, resistor bias network, and voltage regulator stop while in Stop mode.</p> <p>0 Allows the LCD driver, charge pump, resistor bias network, and voltage regulator to continue running during Stop mode.</p> <p>1 Disables the LCD driver, charge pump, resistor bias network, and voltage regulator when MCU enters Stop mode.</p>
7 LCDEN	<p>LCD Driver Enable</p> <p>Starts LCD controller waveform generator.</p> <p>0 All front plane and back plane pins are disabled. The LCD controller system is also disabled, and all LCD waveform generation clocks are stopped. V_{LL3} is connected to V_{DD} internally. All LCD pins, LCD_Pn, enabled using the LCD Pin Enable register, output a low value.</p> <p>1 LCD controller driver system is enabled, and front plane and back plane waveforms are generated. All LCD pins, LCD_Pn, enabled if PAD_SAFE is clearing the LCD Pin Enable register, output an LCD driver waveform. The back plane pins output an LCD driver back plane waveform based on the settings of DUTY[2:0]. Charge pump or resistor bias is enabled.</p>
6 SOURCE	<p>LCD Clock Source Select</p> <p>This bit is used to select which clock source is the basis for LCD clock.</p> <p>NOTE: The clock sources are chip-specific. For the clock source assignments, see the chapter that describes how modules are configured. Alternate clock can be only MCGIRCLK, and therefore when SOURCE=1, SIM_SOPT1[OSC32KSEL] bit plays no role. Default clock can be either MCGIRCLK, ERCLK32K, OSC32KCLK, according to the selection in SIM_SOPT1[OSC32KSEL].</p> <p>0 Selects the default clock as the LCD clock source.</p> <p>1 Selects output of the alternate clock source selection (see ALTSOURCE) as the LCD clock source.</p>
5–3 LCLK	<p>LCD Clock Prescaler</p> <p>Used as a clock divider to generate the SLCD frame frequency. LCD controller duty cycle configuration is used to determine the LCD controller frame frequency. LCD controller frame frequency calculations are provided in SLCD base clock and frame frequency .</p> $\text{LCD controller frame frequency} = (\text{LCD clock} / ((\text{DUTY} + 1) \times 8 \times (4 + \text{LCLK}[2:0]) \times Y)) \times (\text{FFR} + 1)$ <p>where:</p> <ul style="list-style-type: none"> • $30 < \text{LCD clock} < 39.063 \text{ kHz}$ • $Y = 2, 2, 3, 3, 4, 5, 8, 16$ chosen by module duty cycle configuration
DUTY	<p>LCD duty select</p> <p>Selects the duty cycle of the LCD controller driver.</p> <p>000 Use 1 BP (1/1 duty cycle).</p> <p>001 Use 2 BP (1/2 duty cycle).</p> <p>010 Use 3 BP (1/3 duty cycle).</p> <p>011 Use 4 BP (1/4 duty cycle). (Default)</p> <p>100</p> <p>101</p> <p>110</p> <p>111 Use 8 BP (1/8 duty cycle).</p>

41.4.2 LCD Auxiliary Register (LCD_AR)

NOTE

The reset value of this register depends on the reset type:

- POR — 0x0000_0000

Address: 4005_3000h base + 4h offset = 4005_3004h

Bit	31	30	29	28	27	26	25	24	23	22	21	20	19	18	17	16
R	0															
W	[Shaded]															
Reset	0	0	0	0	0	0	0	0	0	0	0	0	0	0	0	0
Bit	15	14	13	12	11	10	9	8	7	6	5	4	3	2	1	0
R	0	0							BLINK	ALT	BLANK	0	BMODE	BRATE		
W	[Shaded]	[Shaded]							[Shaded]	[Shaded]	[Shaded]	[Shaded]	[Shaded]	[Shaded]		
Reset	0	0	0	0	0	0	0	0	0	0	0	0	0	0	0	0

LCD_AR field descriptions

Field	Description
31–16 Reserved	Reserved This field is reserved. This read-only field is reserved and always has the value 0.
15 Reserved	This field is reserved. This read-only field is reserved and always has the value 0.
14–8 Reserved	Reserved This field is reserved. This read-only field is reserved and always has the value 0.
7 BLINK	Blink command Starts or stops SLCD blinking. 0 Disables blinking. 1 Starts blinking at blinking frequency specified by LCD blink rate calculation.
6 ALT	Alternate display mode For four back planes or less, the LCD back plane sequencer changes to output an alternate display. ALT bit is ignored if DUTY[2:0] is 100 or greater.

Table continues on the next page...

LCD_AR field descriptions (continued)

Field	Description
	0 Normal display mode. 1 Alternate display mode.
5 BLANK	Blank display mode Asserting this bit clears all segments in the LCD. 0 Normal or alternate display mode. 1 Blank display mode.
4 Reserved	Reserved This field is reserved. This read-only field is reserved and always has the value 0.
3 BMODE	Blink mode Selects the blink mode displayed during the blink period. 0 Display blank during the blink period. 1 Display alternate display during blink period (Ignored if duty is 5 or greater).
BRATE	Blink-rate configuration Selects frequency at which the LCD blinks when the BLINK bit is asserted. The following equation provides an expression for the LCD controller blink rate and shows how BRATE field is used in the LCD blink-rate calculation. LCD controller blink rate = LCD clock / $2^{(12 + BRATE)}$

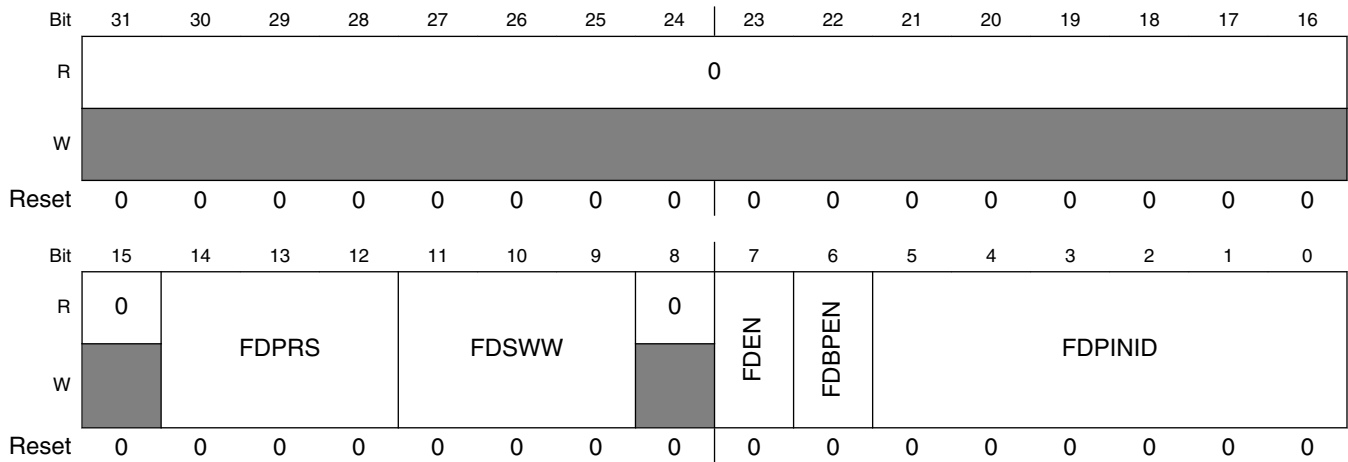
41.4.3 LCD Fault Detect Control Register (LCD_FDCR)

NOTE

The reset value of this register depends on the reset type:

- POR — 0x0000_0000

Address: 4005_3000h base + 8h offset = 4005_3008h



LCD_FDCR field descriptions

Field	Description
31–16 Reserved	Reserved This field is reserved. This read-only field is reserved and always has the value 0.
15 Reserved	Reserved This field is reserved. This read-only field is reserved and always has the value 0.
14–12 FDPRS	Fault Detect Clock Prescaler Fault detect sample clock frequency is: 0 1/1 bus clock. 1 1/2 bus clock. 2 1/4 bus clock. 3 1/8 bus clock. 4 1/16 bus clock. 5 1/32 bus clock. 6 1/64 bus clock. 7 1/128 bus clock.

Table continues on the next page...

LCD_FDCR field descriptions (continued)

Field	Description
11–9 FDSWW	<p>Fault Detect Sample Window Width</p> <p>Specifies the sample window width of fault detection, in number of cycles in the range from 4–512 (Sample window = $4 \cdot 2^N$).</p> <p>0 Sample window width is 4 sample clock cycles. 1 Sample window width is 8 sample clock cycles. 2 Sample window width is 16 sample clock cycles. 3 Sample window width is 32 sample clock cycles. 4 Sample window width is 64 sample clock cycles. 5 Sample window width is 128 sample clock cycles. 6 Sample window width is 256 sample clock cycles. 7 Sample window width is 512 sample clock cycles.</p>
8 Reserved	<p>Reserved</p> <p>This field is reserved. This read-only field is reserved and always has the value 0.</p>
7 FDEN	<p>Fault Detect Enable</p> <p>If LCDEN is 1, asserting FDEN inserts a test frame after normal LCD refresh frame is completed. After the test frame is done, Fault detection complete flag (FDCF) is set. When the test frame is done, a normal LCD refresh frame starts. FDEN is one-shot register, it clears after FDCF is set.</p> <p>To initiate another fault detection, FDEN must be set again.</p> <p>0 Disable fault detection. 1 Enable fault detection.</p>
6 FDBPEN	<p>Fault Detect Back Plane Enable</p> <p>Enables "back plane" timing for the fault detect circuit. FDBPEN = 0 generates front plane timing. This bit specifies the type of pin selected under fault detect test.</p> <p>0 Type of the selected pin under fault detect test is front plane. 1 Type of the selected pin under fault detect test is back plane.</p>
FDPINID	<p>Fault Detect Pin ID</p> <p>Specifies the LCD pin to be checked by pullup fault detection.</p> <p>0 Fault detection for LCD_P0 pin. 1 Fault detection for LCD_P1 pin. ... 63 Fault detection for LCD_P63 pin.</p>

41.4.4 LCD Fault Detect Status Register (LCD_FDSR)

NOTE

The reset value of this register depends on the reset type:

- POR — 0x0000_0000

Address: 4005_3000h base + Ch offset = 4005_300Ch

Bit	31	30	29	28	27	26	25	24	23	22	21	20	19	18	17	16
R	0															
W																
Reset	0	0	0	0	0	0	0	0	0	0	0	0	0	0	0	0
Bit	15	14	13	12	11	10	9	8	7	6	5	4	3	2	1	0
R	FDCF	0							FDCNT							
W	w1c															
Reset	0	0	0	0	0	0	0	0	0	0	0	0	0	0	0	0

LCD_FDSR field descriptions

Field	Description
31–16 Reserved	Reserved This field is reserved. This read-only field is reserved and always has the value 0.
15 FDCF	Fault Detection Complete Flag FDCF indicates that the fault detection is completed. Writing 1 to this bit clears it to zero. This bit also acts as an interrupt flag when FDCIEN is set. Software can use either interrupt or polling to check whether one pin fault detection is completed. 0 Fault detection is not completed. 1 Fault detection is completed.
14–8 Reserved	Reserved This field is reserved. This read-only field is reserved and always has the value 0.

Table continues on the next page...

LCD_FDSR field descriptions (continued)

Field	Description
FDCNT	<p>Fault Detect Counter</p> <p>Contains how many "one/high" are sampled inside the fault detect sample window.</p> <p>0 No "one" samples. 1 1 "one" samples. 2 2 "one" samples. ... 254 254 "one" samples. 255 255 or more "one" samples. The FDCNT can overflow. Therefore, FDSWW and FDPRS must be reconfigured for proper sampling.</p>

41.4.5 LCD Pin Enable register (LCD_PEN_n)

When LCDEN = 1, and PAD_SAFE=0 each PEN bit enables the corresponding LCD pin (LCD_P_n) for LCD waveform generation. When LCDEN=0, each PEN bit enabled to corresponding LCD pin (LCD_P_n) to drive a low output.

Initialize these registers before enabling the LCD controller.

NOTE

The reset value of this register depends on the reset type:

- POR — 0x0000_0000

Address: 4005_3000h base + 10h offset + (4d × i), where i=0d to 1d

Bit	31	30	29	28	27	26	25	24	23	22	21	20	19	18	17	16	15	14	13	12	11	10	9	8	7	6	5	4	3	2	1	0
R																	PEN															
W																																
Reset	0	0	0	0	0	0	0	0	0	0	0	0	0	0	0	0	0	0	0	0	0	0	0	0	0	0	0	0	0	0	0	0

LCD_PEN_n field descriptions

Field	Description
PEN	<p>LCD Pin Enable</p> <p>The PEN[63:0] bits enable the LCD_P[63:0] pins for LCD operation. PENL contains PEN[31:0], and PENH contains PEN[63:32].</p> <p>Each LCD_P[63:0] pin can be configured as a back plane or a front plane based on the corresponding BPEN[<i>n</i>] bit in the Back Plane Enable register (BPEN). If LCDEN = 0, these bits enable the pin to drive a low output. Set PEN[63:0] bits before LCDEN is set. When PAD_SAFE=1, these bits have no effect in any condition on the LCD_P[63:0] pins.</p> <p>0 LCD operation disabled on LCD_P_n. 1 LCD operation enabled on LCD_P_n.</p>

41.4.6 LCD Back Plane Enable register (LCD_BPENn)

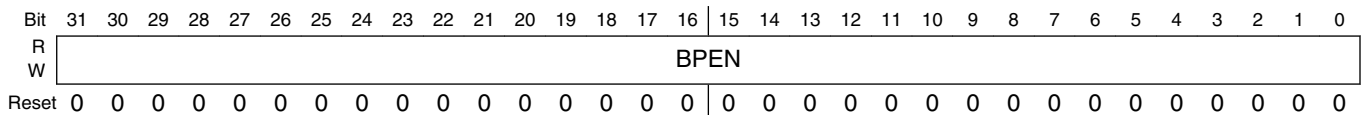
When PEN[n] = 1, the BPEN[63:0] bits configure the corresponding LCD pin to operate as an LCD back plane or an LCD front plane. Most applications set a maximum of eight of these bits. Initialize these registers before enabling the LCD controller.

NOTE

The reset value of this register depends on the reset type:

- POR — 0x0000_0000

Address: 4005_3000h base + 18h offset + (4d × i), where i=0d to 1d



LCD_BPENn field descriptions

Field	Description
BPEN	<p>Back Plane Enable</p> <p>The BPEN[63:0] bits configure the LCD_P[63:0] pins to operate as an LCD back plane or LCD front plane. BPENL contains BPEN[31:0], and BPENH contains BPEN[63:32].</p> <p>If LCDEN = 0, these bits have no effect on the state of the I/O pins. It is recommended to set BPEN[63:0] bits before LCDEN is set.</p> <p>0 Front plane operation enabled on LCD_Pn. 1 Back plane operation enabled on LCD_Pn.</p>

41.4.7 LCD Waveform register (LCD_WF3TO0)

Each of the WFn registers contains four waveform control (WFn) fields, where x is the n index value of the WFn field in the least significant byte (bits 7-0) and y is the n index value of the WFn field in the most significant byte (bits 31-24). The bits in each WFn field control the front plane segments or back plane phases connected to the LCD_Pn signal.

In an LCD controller, each element consists of a front plane segment and a back plane phase. These segments and phases are labeled A through H (x8 multiplexing, 1/8 duty cycle). Each LCD_Pn signal can be connected to one or more segments (in front plane operation) or one or more phases (in back plane operation). An LCD element is turned on when the associated back plane phase is activated and the front plane segment is on.

If LCD_Pn is configured for front plane operation, the bits in WF_n turn on or off each of the front plane segments connected to LCD_Pn: bit 0 controls segment A, bit 1 controls segment B, and so on.

If LCD_Pn is configured for back plane operation, the bits in WF_n activate or deactivate each of the back plane phases connected to LCD_Pn: bit 0 controls phase A, bit 1 controls phase B, and so on.

Software can write to this register with 8-bit, 16-bit, or 32-bit writes. After reset, the W_{Fy}TO_x register is cleared to 0.

NOTE

The reset value of this register depends on the reset type:

- POR — 0x0000_0000

Address: 4005_3000h base + 20h offset = 4005_3020h

Bit	31	30	29	28	27	26	25	24	23	22	21	20	19	18	17	16	15	14	13	12	11	10	9	8	7	6	5	4	3	2	1	0																																
R																																																																
W	WF3																WF2																WF1																WF0															
Reset	0	0	0	0	0	0	0	0	0	0	0	0	0	0	0	0	0	0	0	0	0	0	0	0	0	0	0	0	0	0	0	0																																

LCD_WF3TO0 field descriptions

Field	Description
31–24 WF3	<p>Segment-on front plane operation — Each bit turns on or off the segments associated with LCD_P3 in the following pattern: HGFEDCBA (most significant bit controls segment H and least significant bit controls segment A).</p> <p>Segment-on back plane operation — Each bit activates or deactivates the phases associated with LCD_P3 in the following pattern: HGFEDCBA (most significant bit controls phase H and least significant bit controls phase A).</p> <p>For each bit:</p> <p>0 Segment off or phase deactivated</p> <p>1 Segment on or phase activated</p>
23–16 WF2	Controls segments or phases connected to LCD_P2 as described above for WF3.
15–8 WF1	Controls segments or phases connected to LCD_P1 as described above for WF3.
WF0	Controls segments or phases connected to LCD_P0 as described above for WF3.

41.4.8 LCD Waveform register (LCD_WF7TO4)

See the LCD Waveform register (WFC3TO0) for register and field descriptions.

NOTE

The reset value of this register depends on the reset type:

Memory map and register definition

- POR — 0x0000_0000

Address: 4005_3000h base + 24h offset = 4005_3024h

Bit	31	30	29	28	27	26	25	24	23	22	21	20	19	18	17	16	15	14	13	12	11	10	9	8	7	6	5	4	3	2	1	0
R	WF7								WF6								WF5								WF4							
W																																
Reset	0	0	0	0	0	0	0	0	0	0	0	0	0	0	0	0	0	0	0	0	0	0	0	0	0	0	0	0	0	0	0	0

LCD_WF7TO4 field descriptions

Field	Description
31–24 WF7	Controls segments or phases connected to LCD_P7 as described above for WF3TO0[WF3].
23–16 WF6	Controls segments or phases connected to LCD_P6 as described above for WF3TO0[WF3].
15–8 WF5	Controls segments or phases connected to LCD_P5 as described above for WF3TO0[WF3].
WF4	Controls segments or phases connected to LCD_P4 as described above for WF3TO0[WF3].

41.4.9 LCD Waveform register (LCD_WF11TO8)

See the LCD Waveform register (WFC3TO0) for register and field descriptions.

NOTE

The reset value of this register depends on the reset type:

- POR — 0x0000_0000

Address: 4005_3000h base + 28h offset = 4005_3028h

Bit	31	30	29	28	27	26	25	24	23	22	21	20	19	18	17	16	15	14	13	12	11	10	9	8	7	6	5	4	3	2	1	0
R	WF11								WF10								WF9								WF8							
W																																
Reset	0	0	0	0	0	0	0	0	0	0	0	0	0	0	0	0	0	0	0	0	0	0	0	0	0	0	0	0	0	0	0	0

LCD_WF11TO8 field descriptions

Field	Description
31–24 WF11	Controls segments or phases connected to LCD_P11 as described above for WF3TO0[WF3].
23–16 WF10	Controls segments or phases connected to LCD_P10 as described above for WF3TO0[WF3].
15–8 WF9	Controls segments or phases connected to LCD_P9 as described above for WF3TO0[WF3].
WF8	Controls segments or phases connected to LCD_P8 as described above for WF3TO0[WF3].

41.4.10 LCD Waveform register (LCD_WF15TO12)

See the LCD Waveform register (WFC3TO0) for register and field descriptions.

NOTE

The reset value of this register depends on the reset type:

- POR — 0x0000_0000

Address: 4005_3000h base + 2Ch offset = 4005_302Ch

Bit	31	30	29	28	27	26	25	24	23	22	21	20	19	18	17	16	15	14	13	12	11	10	9	8	7	6	5	4	3	2	1	0
R																																
W																																
Reset	0	0	0	0	0	0	0	0	0	0	0	0	0	0	0	0	0	0	0	0	0	0	0	0	0	0	0	0	0	0	0	0

LCD_WF15TO12 field descriptions

Field	Description
31–24 WF15	Controls segments or phases connected to LCD_P15 as described above for WF3TO0[WF3].
23–16 WF14	Controls segments or phases connected to LCD_P14 as described above for WF3TO0[WF3].
15–8 WF13	Controls segments or phases connected to LCD_P13 as described above for WF3TO0[WF3].
WF12	Controls segments or phases connected to LCD_P12 as described above for WF3TO0[WF3].

41.4.11 LCD Waveform register (LCD_WF19TO16)

See the LCD Waveform register (WFC3TO0) for register and field descriptions.

NOTE

The reset value of this register depends on the reset type:

- POR — 0x0000_0000

Address: 4005_3000h base + 30h offset = 4005_3030h

Bit	31	30	29	28	27	26	25	24	23	22	21	20	19	18	17	16	15	14	13	12	11	10	9	8	7	6	5	4	3	2	1	0
R																																
W																																
Reset	0	0	0	0	0	0	0	0	0	0	0	0	0	0	0	0	0	0	0	0	0	0	0	0	0	0	0	0	0	0	0	0

LCD_WF19TO16 field descriptions

Field	Description
31–24 WF19	Controls segments or phases connected to LCD_P19 as described above for WF3TO0[WF3].

Table continues on the next page...

LCD_WF19TO16 field descriptions (continued)

Field	Description
23–16 WF18	Controls segments or phases connected to LCD_P18 as described above for WF3TO0[WF3].
15–8 WF17	Controls segments or phases connected to LCD_P17 as described above for WF3TO0[WF3].
WF16	Controls segments or phases connected to LCD_P16 as described above for WF3TO0[WF3].

41.4.12 LCD Waveform register (LCD_WF23TO20)

See the LCD Waveform register (WFC3TO0) for register and field descriptions.

NOTE

The reset value of this register depends on the reset type:

- POR — 0x0000_0000

Address: 4005_3000h base + 34h offset = 4005_3034h

Bit	31	30	29	28	27	26	25	24	23	22	21	20	19	18	17	16	15	14	13	12	11	10	9	8	7	6	5	4	3	2	1	0
R																																
W																																
Reset	0	0	0	0	0	0	0	0	0	0	0	0	0	0	0	0	0	0	0	0	0	0	0	0	0	0	0	0	0	0	0	0

LCD_WF23TO20 field descriptions

Field	Description
31–24 WF23	Controls segments or phases connected to LCD_P23 as described above for WF3TO0[WF3].
23–16 WF22	Controls segments or phases connected to LCD_P22 as described above for WF3TO0[WF3].
15–8 WF21	Controls segments or phases connected to LCD_P21 as described above for WF3TO0[WF3].
WF20	Controls segments or phases connected to LCD_P20 as described above for WF3TO0[WF3].

41.4.13 LCD Waveform register (LCD_WF27TO24)

See the LCD Waveform register (WFC3TO0) for register and field descriptions.

NOTE

The reset value of this register depends on the reset type:

- POR — 0x0000_0000

Address: 4005_3000h base + 38h offset = 4005_3038h

Bit	31	30	29	28	27	26	25	24	23	22	21	20	19	18	17	16	15	14	13	12	11	10	9	8	7	6	5	4	3	2	1	0	
R	WF27								WF26								WF25								WF24								
W																																	
Reset	0	0	0	0	0	0	0	0	0	0	0	0	0	0	0	0	0	0	0	0	0	0	0	0	0	0	0	0	0	0	0	0	0

LCD_WF27TO24 field descriptions

Field	Description
31–24 WF27	Controls segments or phases connected to LCD_P27 as described above for WF3TO0[WF3].
23–16 WF26	Controls segments or phases connected to LCD_P26 as described above for WF3TO0[WF3].
15–8 WF25	Controls segments or phases connected to LCD_P25 as described above for WF3TO0[WF3].
WF24	Controls segments or phases connected to LCD_P24 as described above for WF3TO0[WF3].

41.4.14 LCD Waveform register (LCD_WF31TO28)

See the LCD Waveform register (WFC3TO0) for register and field descriptions.

NOTE

The reset value of this register depends on the reset type:

- POR — 0x0000_0000

Address: 4005_3000h base + 3Ch offset = 4005_303Ch

Bit	31	30	29	28	27	26	25	24	23	22	21	20	19	18	17	16	15	14	13	12	11	10	9	8	7	6	5	4	3	2	1	0	
R	WF31								WF30								WF29								WF28								
W																																	
Reset	0	0	0	0	0	0	0	0	0	0	0	0	0	0	0	0	0	0	0	0	0	0	0	0	0	0	0	0	0	0	0	0	0

LCD_WF31TO28 field descriptions

Field	Description
31–24 WF31	Controls segments or phases connected to LCD_P31 as described above for WF3TO0[WF3].
23–16 WF30	Controls segments or phases connected to LCD_P30 as described above for WF3TO0[WF3].
15–8 WF29	Controls segments or phases connected to LCD_P29 as described above for WF3TO0[WF3].
WF28	Controls segments or phases connected to LCD_P28 as described above for WF3TO0[WF3].

41.4.15 LCD Waveform register (LCD_WF35TO32)

See the LCD Waveform register (WFC3TO0) for register and field descriptions.

NOTE

The reset value of this register depends on the reset type:

- POR — 0x0000_0000

Address: 4005_3000h base + 40h offset = 4005_3040h

Bit	31	30	29	28	27	26	25	24	23	22	21	20	19	18	17	16	15	14	13	12	11	10	9	8	7	6	5	4	3	2	1	0
R	WF35								WF34								WF33								WF32							
W																																
Reset	0	0	0	0	0	0	0	0	0	0	0	0	0	0	0	0	0	0	0	0	0	0	0	0	0	0	0	0	0	0	0	0

LCD_WF35TO32 field descriptions

Field	Description
31–24 WF35	Controls segments or phases connected to LCD_P35 as described above for WF3TO0[WF3].
23–16 WF34	Controls segments or phases connected to LCD_P34 as described above for WF3TO0[WF3].
15–8 WF33	Controls segments or phases connected to LCD_P33 as described above for WF3TO0[WF3].
WF32	Controls segments or phases connected to LCD_P32 as described above for WF3TO0[WF3].

41.4.16 LCD Waveform register (LCD_WF39TO36)

See the LCD Waveform register (WFC3TO0) for register and field descriptions.

NOTE

The reset value of this register depends on the reset type:

- POR — 0x0000_0000

Address: 4005_3000h base + 44h offset = 4005_3044h

Bit	31	30	29	28	27	26	25	24	23	22	21	20	19	18	17	16	15	14	13	12	11	10	9	8	7	6	5	4	3	2	1	0
R	WF39								WF38								WF37								WF36							
W																																
Reset	0	0	0	0	0	0	0	0	0	0	0	0	0	0	0	0	0	0	0	0	0	0	0	0	0	0	0	0	0	0	0	0

LCD_WF39TO36 field descriptions

Field	Description
31–24 WF39	Controls segments or phases connected to LCD_P39 as described above for WF3TO0[WF3].
23–16 WF38	Controls segments or phases connected to LCD_P38 as described above for WF3TO0[WF3].
15–8 WF37	Controls segments or phases connected to LCD_P37 as described above for WF3TO0[WF3].
WF36	Controls segments or phases connected to LCD_P36 as described above for WF3TO0[WF3].

41.4.17 LCD Waveform register (LCD_WF43TO40)

See the LCD Waveform register (WFC3TO0) for register and field descriptions.

NOTE

The reset value of this register depends on the reset type:

- POR — 0x0000_0000

Address: 4005_3000h base + 48h offset = 4005_3048h

Bit	31	30	29	28	27	26	25	24	23	22	21	20	19	18	17	16	15	14	13	12	11	10	9	8	7	6	5	4	3	2	1	0
R																																
W																																
Reset	0	0	0	0	0	0	0	0	0	0	0	0	0	0	0	0	0	0	0	0	0	0	0	0	0	0	0	0	0	0	0	0

LCD_WF43TO40 field descriptions

Field	Description
31–24 WF43	Controls segments or phases connected to LCD_P43 as described above for WF3TO0[WF3].
23–16 WF42	Controls segments or phases connected to LCD_P42 as described above for WF3TO0[WF3].
15–8 WF41	Controls segments or phases connected to LCD_P41 as described above for WF3TO0[WF3].
WF40	Controls segments or phases connected to LCD_P40 as described above for WF3TO0[WF3].

41.4.18 LCD Waveform register (LCD_WF47TO44)

See the LCD Waveform register (WFC3TO0) for register and field descriptions.

NOTE

The reset value of this register depends on the reset type:

- POR — 0x0000_0000

Address: 4005_3000h base + 4Ch offset = 4005_304Ch

Bit	31	30	29	28	27	26	25	24	23	22	21	20	19	18	17	16	15	14	13	12	11	10	9	8	7	6	5	4	3	2	1	0
R																																
W																																
Reset	0	0	0	0	0	0	0	0	0	0	0	0	0	0	0	0	0	0	0	0	0	0	0	0	0	0	0	0	0	0	0	0

LCD_WF47TO44 field descriptions

Field	Description
31–24 WF47	Controls segments or phases connected to LCD_P47 as described above for WF3TO0[WF3].

Table continues on the next page...

LCD_WF47TO44 field descriptions (continued)

Field	Description
23–16 WF46	Controls segments or phases connected to LCD_P46 as described above for WF3TO0[WF3].
15–8 WF45	Controls segments or phases connected to LCD_P45 as described above for WF3TO0[WF3].
WF44	Controls segments or phases connected to LCD_P44 as described above for WF3TO0[WF3].

41.4.19 LCD Waveform register (LCD_WF51TO48)

See the LCD Waveform register (WFC3TO0) for register and field descriptions.

NOTE

The reset value of this register depends on the reset type:

- POR — 0x0000_0000

Address: 4005_3000h base + 50h offset = 4005_3050h

Bit	31	30	29	28	27	26	25	24	23	22	21	20	19	18	17	16	15	14	13	12	11	10	9	8	7	6	5	4	3	2	1	0																
R	WF51								WF50								WF49								WF48																							
W																																																
Reset	0	0	0	0	0	0	0	0	0	0	0	0	0	0	0	0	0	0	0	0	0	0	0	0	0	0	0	0	0	0	0	0	0	0	0	0	0	0	0	0	0	0	0	0	0	0	0	0

LCD_WF51TO48 field descriptions

Field	Description
31–24 WF51	Controls segments or phases connected to LCD_P51 as described above for WF3TO0[WF3].
23–16 WF50	Controls segments or phases connected to LCD_P50 as described above for WF3TO0[WF3].
15–8 WF49	Controls segments or phases connected to LCD_P49 as described above for WF3TO0[WF3].
WF48	Controls segments or phases connected to LCD_P48 as described above for WF3TO0[WF3].

41.4.20 LCD Waveform register (LCD_WF55TO52)

See the LCD Waveform register (WFC3TO0) for register and field descriptions.

NOTE

The reset value of this register depends on the reset type:

- POR — 0x0000_0000

Address: 4005_3000h base + 54h offset = 4005_3054h

Bit	31	30	29	28	27	26	25	24	23	22	21	20	19	18	17	16	15	14	13	12	11	10	9	8	7	6	5	4	3	2	1	0
R	WF55								WF54								WF53								WF52							
W																																
Reset	0	0	0	0	0	0	0	0	0	0	0	0	0	0	0	0	0	0	0	0	0	0	0	0	0	0	0	0	0	0	0	0

LCD_WF55TO52 field descriptions

Field	Description
31–24 WF55	Controls segments or phases connected to LCD_P55 as described above for WF3TO0[WF3].
23–16 WF54	Controls segments or phases connected to LCD_P54 as described above for WF3TO0[WF3].
15–8 WF53	Controls segments or phases connected to LCD_P53 as described above for WF3TO0[WF3].
WF52	Controls segments or phases connected to LCD_P52 as described above for WF3TO0[WF3].

41.4.21 LCD Waveform register (LCD_WF59TO56)

See the LCD Waveform register (WFC3TO0) for register and field descriptions.

NOTE

The reset value of this register depends on the reset type:

- POR — 0x0000_0000

Address: 4005_3000h base + 58h offset = 4005_3058h

Bit	31	30	29	28	27	26	25	24	23	22	21	20	19	18	17	16	15	14	13	12	11	10	9	8	7	6	5	4	3	2	1	0
R	WF59								WF58								WF57								WF56							
W																																
Reset	0	0	0	0	0	0	0	0	0	0	0	0	0	0	0	0	0	0	0	0	0	0	0	0	0	0	0	0	0	0	0	0

LCD_WF59TO56 field descriptions

Field	Description
31–24 WF59	Controls segments or phases connected to LCD_P59 as described above for WF3TO0[WF3].
23–16 WF58	Controls segments or phases connected to LCD_P58 as described above for WF3TO0[WF3].
15–8 WF57	Controls segments or phases connected to LCD_P57 as described above for WF3TO0[WF3].
WF56	Controls segments or phases connected to LCD_P56 as described above for WF3TO0[WF3].

41.4.22 LCD Waveform register (LCD_WF63TO60)

See the LCD Waveform register (WFC3TO0) for register and field descriptions.

NOTE

The reset value of this register depends on the reset type:

- POR — 0x0000_0000

Address: 4005_3000h base + 5Ch offset = 4005_305Ch

Bit	31	30	29	28	27	26	25	24	23	22	21	20	19	18	17	16	15	14	13	12	11	10	9	8	7	6	5	4	3	2	1	0
R																																
W																																
Reset	0	0	0	0	0	0	0	0	0	0	0	0	0	0	0	0	0	0	0	0	0	0	0	0	0	0	0	0	0	0	0	0

LCD_WF63TO60 field descriptions

Field	Description
31–24 WF63	Controls segments or phases connected to LCD_P63 as described above for WF3TO0[WF3].
23–16 WF62	Controls segments or phases connected to LCD_P62 as described above for WF3TO0[WF3].
15–8 WF61	Controls segments or phases connected to LCD_P61 as described above for WF3TO0[WF3].
WF60	Controls segments or phases connected to LCD_P60 as described above for WF3TO0[WF3].

41.5 Functional description

This section provides a complete functional description of SLCD.

Before enabling SLCD by asserting GCR[LCDEN], configure SLCD based on the end application requirements. Out of reset, SLCD is configured with default settings, but these settings are not optimal for every application. SLCD provides several versatile configuration settings and options to support varied implementation requirements, including:

- Duty cycle (number of back planes)
- Back plane assignment (which LCD_P[63:0] pins operate as back planes)
- Frame frequency interrupt enable
- Blinking frequency and options
- Power-supply configurations
- Fault detection configuration

SLCD also provides an LCD pin enable control. Setting the LCD pin enable bit in the PENn register for a particular LCD_Pn pin enables SLCD front plane or back plane waveform functionality of that pin after GCR[LCDEN] is set. When GCR[LCDEN] is clear and the LCD pin enable bit is set, the LCD_Pn pin will be driven low. When the back plane enable bit in the BPENn is set, the associated pin operates as a back plane. The WFyTOx registers can then activate (display) the corresponding LCD segments on an LCD panel.

The WFyTOx registers control the on/off state for the segments controlled by the LCD pins defined as front planes and the active phase for the back planes. Blank display modes do not use the data from the WFyTOx registers. When using the WFyTOx register for front plane operation, writing a 0 turns the segment off.

For pins enabled as back plane, the bits in WFn fields assign the phases of the back plane (A-H) for the corresponding back plane pin. For a detailed description of SLCD operation for a basic seven-segment LCD display, see [LCD seven segment example description](#).

41.5.1 LCD controller driver description

The LCD controller driver has eight modes of operation:

- 1/1 duty (one back plane) (Phase A), static mode
- 1/2 duty (two back planes) (Phase A, B), 1/3 bias (four voltage levels)
- 1/3 duty (three back planes) (Phase A, B, C), 1/3 bias (four voltage levels)
- 1/4 duty (four back planes) (Phase A, B, C, D), 1/3 bias (four voltage levels)
- 1/8 duty (eight back planes) (Phase A, B, C, D, E, F, G, H), 1/3 bias (four voltage levels)

All modes are 1/3 bias. These modes of operation are described in more detail in the next sections.

41.5.1.1 LCD duty cycle

The denominator of the duty cycle indicates the number of LCD panel segments capable of being driven by each individual front plane output driver. Depending on the duty cycle, the LCD waveform drive can be categorized as static or multiplexed.

Functional description

In static-driving method, the LCD is driven with two square waveforms. The static-driving method is the most basic method to drive an LCD panel, but because each front plane driver can drive only one LCD segment, static driving limits the LCD segments that can be driven with a given number of front plane pins. In static mode, only one back plane is required.

In multiplexed mode, the LCD waveforms are multi-level and depend on the bias mode. Multiplex mode, depending on the number of back planes, can drive multiple LCD segments with a single front plane driver. This reduces the number of driver circuits and connections to LCD segments. For multiplex mode operation, at least two back plane drivers are needed. The LCD controller is optimized for multiplex mode.

The numerator of the duty cycle indicates the amount of time the LCD panel segment is energized during each LCD controller frame cycle. The denominator of the duty cycle indicates the number of back planes that are being used to drive an LCD panel and the number of phase sequences, 1,2,3,4 or 8 .

The duty cycle is used by the back plane phase generator to set the phase outputs. The phase outputs A-H are driven according to the sequence shown below. The sequence is repeated at the LCD frame frequency. The duty cycle is configured using GCR[DUTY[2:0]], as shown in [Table 41-4](#).

Table 41-4. LCD controller duty cycle modes

Duty	GCR			Number of back planes	Phase sequence
	DUTY2	DUTY1	DUTY0		
1/1	0	0	0	1	A
1/2	0	0	1	2	A B
1/3	0	1	0	3	A B C
1/4	0	1	1	4	A B C D
1/5	Reserved	Reserved	Reserved		Reserved
1/6	Reserved	Reserved	Reserved	Reserved	Reserved
1/7	Reserved	Reserved	Reserved	Reserved	Reserved
1/8	1	1	1	8	A B C D E F G H

41.5.1.2 LCD bias

Because a single front plane driver is configured to drive more and more individual LCD segments, three voltage levels are required to generate the appropriate waveforms to drive the segment. SLCD is designed to operate using the 1/3 bias mode.

41.5.1.3 SLCD base clock and frame frequency

SLCD is optimized to operate using a 32.768 kHz clock input. Two clock sources are available to the SLCD, which are selectable by configuring the GCR[SOURCE]. The clock sources include:

- Default clock (GCR[SOURCE] = 0)
- Alternate clock (GCR[SOURCE] = 1)
 - Alternate Clock 1 (GCR[ALTSOURCE]=0)
 - Alternate Clock 2 (GCR[ALTSOURCE]=1)

NOTE

The clock source is chip-specific. For the clock source assignments, see the chapter that describes how modules are configured.

Figure 41-2 shows the LCD clock tree. The clock tree shows the possible clock sources, and the LCD frame frequency and blink frequency clock source. The LCD blink frequency is discussed in [Blink frequency](#).

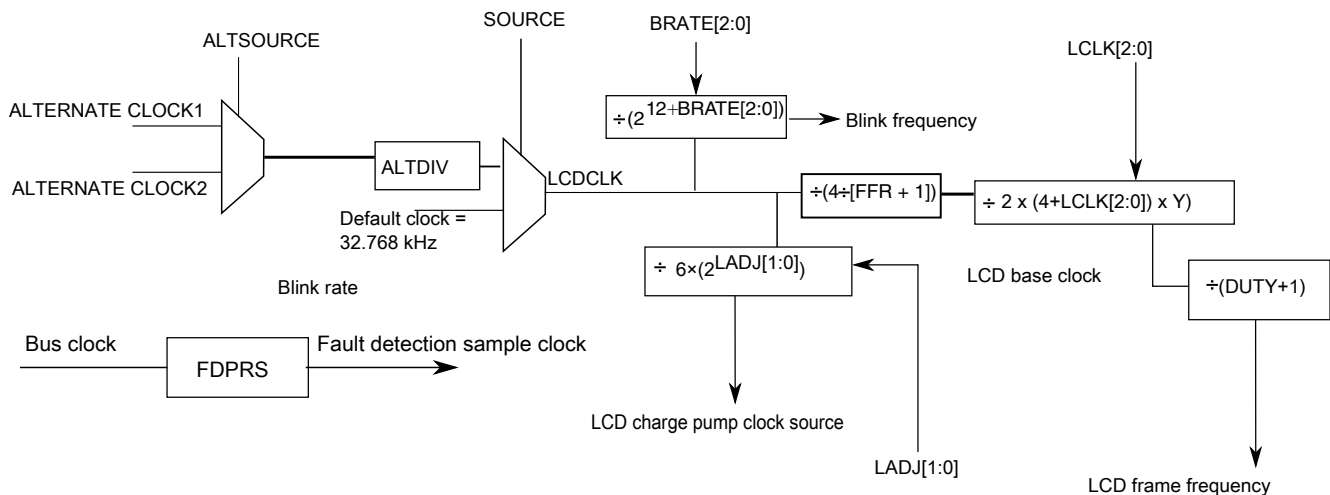


Figure 41-2. LCD clock tree

An external 32.768 kHz clock input is required to achieve lowest power consumption.

The value of GCR[LCLK] is important because it is used to generate the SLCD frame frequency.

The following four tables show SLCD frame frequency calculations that consider several possible SLCD configurations of GCR[LCLK[2:0]], GCR[FFR] and GCR[DUTY[2:0]].

Functional description

SLCD frame frequency is defined as the number of times the LCD segments are energized per second. The SLCD frame frequency must be selected to achieve the right balance between flickering (SLCD frame frequency too close to the frequency of an interfering light source or too low), contrast (SLCD frame frequency too low for the display chosen), and power (SLCD frame frequency too high).. Selecting lower values for the LCD base and frame frequency results in lower current consumption for the SLCD.

The SLCD base clock frequency is the SLCD frame frequency multiplied by the number of back plane phases that are being generated. The number of back plane phases is selected using the GCR[DUTY[2:0]] bits. The SLCD base clock is used by the back plane sequencer to generate the LCD waveform data for the enabled phases (A-H).

Table 41-5. SLCD frame frequency calculations for clock input ~ 32.768 kHz and GCR[FFR]=0

Duty cycle	1/1	1/2	1/3	1/4				1/8
Y	16	8	5	4				2
GCR[LCLK[2:0]]								
0	64	64	68.3	64				64
1	51.2	51.2	54.6	51.2				51.2
2	42.7	42.7	45.5	42.7				42.7
3	36.6	36.6	39	36.6				36.6
4	32	32	34.1	32				32
5	28.4	28.4	30.3	28.4				28.4
6	25.6	25.6	27.3	25.6				25.6
7	23.3	23.3	24.8	23.3				23.3

Table 41-6. SLCD frame frequency calculations for clock input ~ 39.063 kHz and GCR[FFR]=0

Duty cycle	1/1	1/2	1/3	1/4				1/8
Y	16	8	5	4				2
GCR[LCLK[2:0]]								
0	76.3	76.3	81.4	76.3				76.3
1	61	61	65.1	61				61
2	50.9	50.9	54.3	50.9				50.9
3	43.6	43.6	46.5	43.6				43.6
4	38.1	38.1	40.7	38.1				38.1
5	33.9	33.9	36.2	33.9				33.9
6	30.5	30.5	32.6	30.5				30.5
7	27.7	27.7	29.6	27.7				27.7

Table 41-7. SLCD frame frequency calculations for clock input ~ 32.768 kHz and GCR[FFR]=1

Duty cycle	1/1	1/2	1/3	1/4				1/8
Y	16	8	5	4				2
GCR[LCLK[2:0]]								
0	128	128	136.6	128	136.6	113.8	146.2	128
1	102.4	102.4	109.2	102.4	109.2	91	117	102.4
2	85.4	85.4	91	85.4	91	75.8	97.6	85.4
3	73.2	73.2	78	73.2	78	65	83.6	73.2
4	64	64	68.2	64	68.2	56.8	73.2	64
5	56.8	56.8	60.6	56.8	60.6	50.6	65	56.8
6	51.2	51.2	54.6	51.2	54.6	45.6	58.6	51.2
7	46.6	46.6	49.6	46.6				46.6

Table 41-8. SLCD frame frequency calculations for clock input ~ 39.063 kHz and GCR[FFR]=1

Duty cycle	1/1	1/2	1/3	1/4				1/8
Y	16	8	5	4				2
GCR[LCLK[2:0]]								
0	152.6	152.6	162.8	152.6				152.6
1	122	122	130.2	122	130.2	108.6	139.6	122
2	101.8	101.8	108.6	101.8				101.8
3	87.2	87.2	73	87.2				87.2
4	76.2	76.2	81.4	76.2	81.4	67.8	87.2	76.2
5	67.8	67.8	72.4	67.8	72.4	60.2	77.6	67.8
6	61	61	65.2	61	65.2	54.2	69.8	61
7	55.4	55.4	59.2	55.4	59.2	49.4	63.4	55.4

41.5.1.4 LCD waveform examples

This section shows the timing examples of the LCD output waveforms for the several modes of operation. As shown in [Table 41-9](#), all examples use 1/3 bias mode.

Table 41-9. Configurations for example LCD waveforms

Examples	Bias mode	GCR[DUTY[2:0]]	Duty cycle
Example 1	1/3	001	1/2
Example 2		011	1/4
Example 3		111	1/8

41.5.1.4.1 1/2 duty multiplexed with 1/3 bias mode (low-power waveform)

Duty=1/2: DUTY[2:0] = 001

LCD_P[1:0] enabled as back planes:

BPEN0 =1 and BPEN1 =1 in the BPEN0

LCD_P0 assigned to Phase A: WF0 = 0x01

LCD_P1 assigned to Phase B: WF1 = 0x02, WF1TO0 = 0x00000201

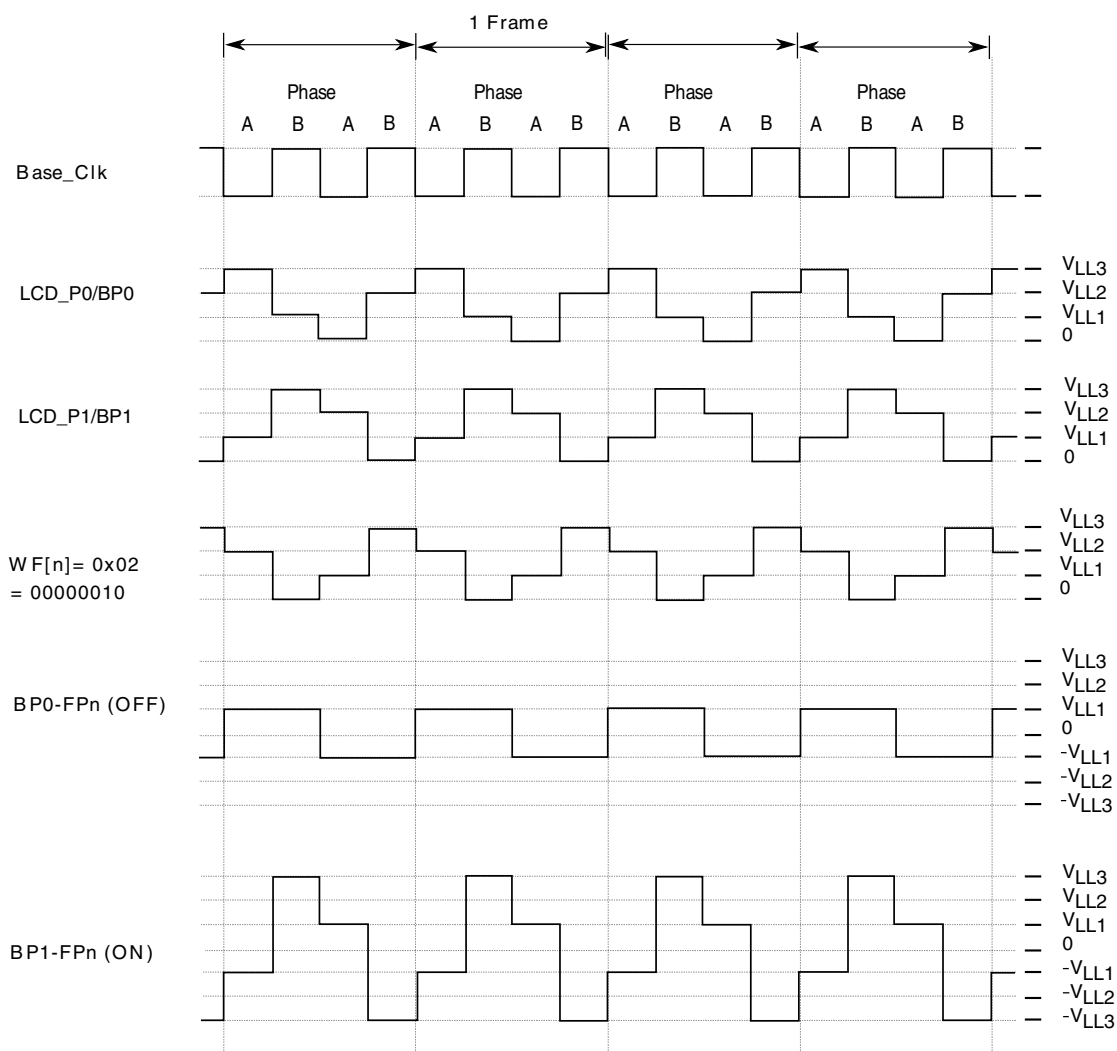


Figure 41-3. 1/2 duty and 1/3 bias (low-power waveform)

41.5.1.4.2 1/4 duty multiplexed with 1/3 bias mode (low-power waveform)

Duty = 1/4: DUTY[2:0] = 011

LCD_P[3:0] enabled as back planes: BPEN0 = 0x0F

LCD_P0 assigned to Phase A: WF0 = 0x01

LCD_P1 assigned to Phase B: WF1 = 0x02

LCD_P2 assigned to Phase C: WF2 = 0x04

LCD_P3 assigned to Phase D: WF3 = 0x08, , WF3TO0 = 0x08040201

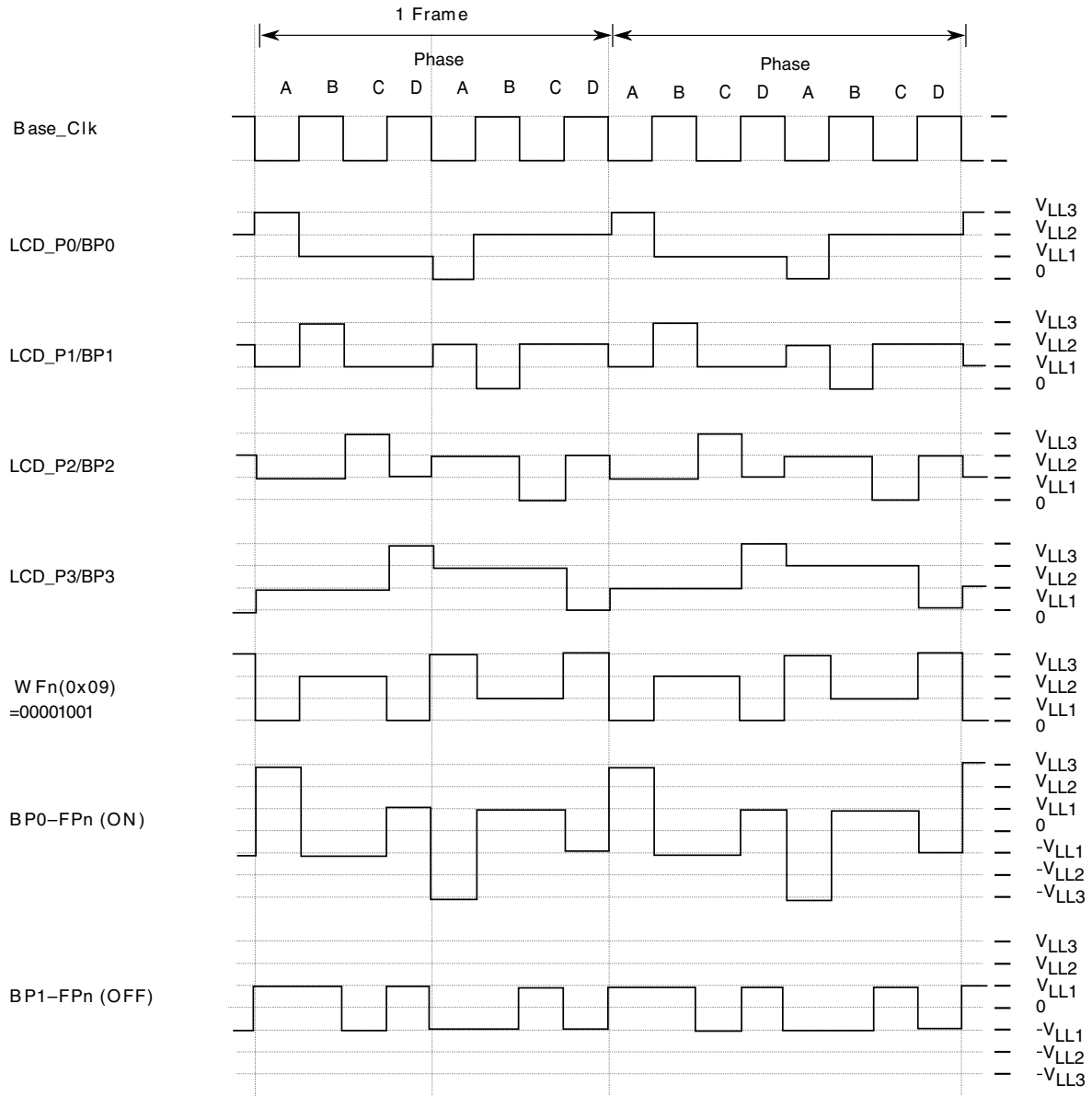


Figure 41-4. 1/4 duty and 1/3 bias (low-power waveform)

41.5.1.4.3 1/8 Duty multiplexed with 1/3 bias mode (low-power waveform)

Duty = 1/8:DUTY[2:0] = 111

LCD_P[7:0] enabled as backplanes: BPEN0 = 0xFF

Functional description

LCD_P0 assigned to Phase A: WF0 = 0x01

LCD_P1 assigned to Phase B: WF1 = 0x02

LCD_P2 assigned to Phase C: WF2 = 0x04

LCD_P3 assigned to Phase D: WF3 = 0x08

LCD_P4 assigned to Phase E: WF4 = 0x10

LCD_P5 assigned to Phase F: WF5 = 0x20

LCD_P6 assigned to Phase G: WF6 = 0x40

LCD_P7 assigned to Phase H: WF7 = 0x80, WF7TO4 = 0x80402010, WF3TO0 = 0x08040201

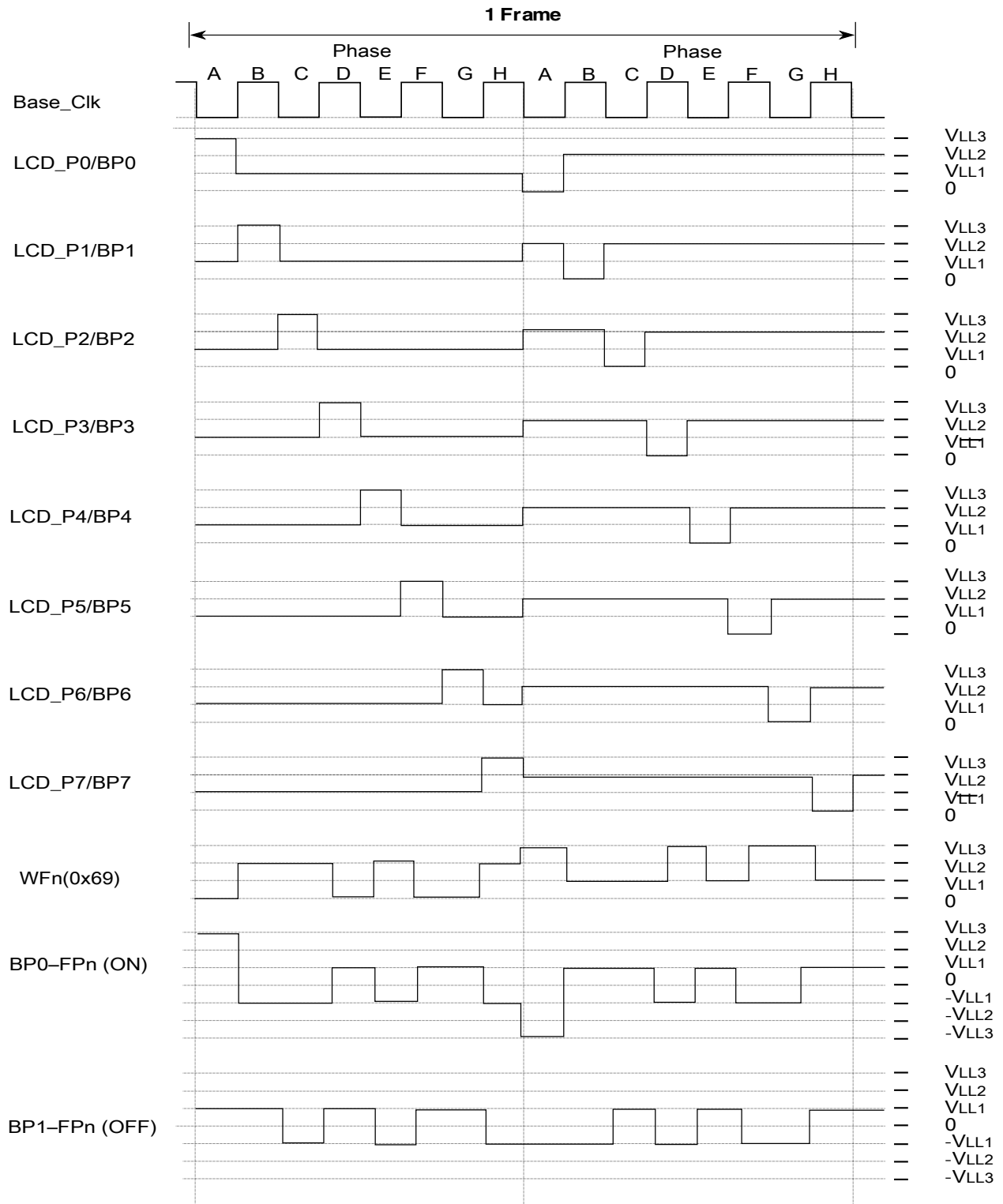


Figure 41-5. 1/8 Duty and 1/3 bias (low-power waveform)

41.5.2 WfYTOx registers

For a segment on the LCD panel to be displayed, data must be written to the WfYTOx registers. For LCD pins enabled as front planes, each bit in the WfYTOx registers corresponds to a segment on an LCD panel. The different phases (A-H) represent the different back planes of the LCD panel. The selected LCD duty cycle controls the number of implemented phases. Refer to [Table 41-4](#) for normal LCD operation the phases follow the sequence shown.

For LCD pins enabled as a back plane, the WfYTOx register assigns the phase in which the back plane pin is active. This is how back plane assignment is done.

An example of normal operation follows.

To enable LCD_P0 to operate as back plane 0:

1. Enable the LCD_P0 by setting PEN0 bit in the PENL register, PENL = 0x00000001.
2. Configure LCD_P0 as a back plane pin by setting the BPEN0 bit in the BPEN0 register.
3. The WF0 bit in the WF3TO0 register is set to associate LCD_P0 with back plane phase A, WF3tO0 =0x00000001.

This configures LCD_P0 to operate as a back plane that is active in phase A.

For LCD pins enabled as a front plane:

- Writing 1 to a given WF location results in the corresponding display segment being driven with the differential root mean square (RMS) voltage necessary to turn the segment on during the phase selected.
- Writing 0 to a given location results in the corresponding display segment being driven with the differential RMS voltage necessary to turn the segment off during the phase selected.

41.5.3 LCD display modes

SLCD can be configured to implement several different display modes. In the LCD auxiliary register (AR), the bits ALT and BLANK configure the different display modes:

Normal display mode (default)

The LCD segments are controlled by the data placed in the WfYTOx registers, as described in [WfYTOx registers](#).

Blank display mode

The WF data is bypassed and the front plane and back plane pins are configured to clear all segments.

Alternate display mode

The backplane sequence is modified for duty cycles of 1/4, 1/3, 1/2, and 1/1.

For four back planes or less, the back plane sequence is modified as shown below. The altered sequence allows two complete displays to be placed in the WFyTOx registers. The first display is placed in phases A-D and the second in phases E-H in the case of four back planes. If the LCD duty cycle is eight back planes, the ALT bit is ignored and creates a blank display. Refer to [Table 41-11](#) for additional information.

NOTE

For alternate display modes, both the segment data and the back plane configuration must be configured for both the upper and lower nibble. For example, if LCD_P0 is configured as back plane 0 (phase A) then for proper operation in Alternate Display mode, the WF3TO0 must be set to 0x00000011 to set both BPEWF0 and BPAWF0.

Using the alternate display function, an inverse display can be accomplished for x4 mode and less by placing inverse data in the alternate phases of the WFyTOx registers.

Table 41-10. Alternate display back plane sequence

Duty	Back plane sequence	Alternate back plane sequence
1/1	A	E
1/2	A B	E F
1/3	A B C	E F G
1/4	A B C D	E F G H

41.5.3.1 LCD blink modes

Blink mode is used as a means of alternating among different LCD display modes at a defined frequency. The LCD controller can be configured to implement two blink modes. The AR[BMODE] bit in the LCD auxiliary register configures the different blink modes. Blink modes are activated by setting AR[BLINK]. If AR[BLINK] = 0, SLCD operates normally as described in [LCD display modes](#). If AR[BLINK] = 1, AR[BMODE] configures the blinking operation. During a blink, the display data driven by SLCD changes to the mode selected by AR[BMODE]. The AR[BMODE] bit selects two different blink modes, blank and alternate modes. They operate in the same way, as defined in [LCD display modes](#). [Table 41-11](#) shows the interaction between display modes and blink modes. If the LCD duty cycle is five back planes or greater, AR[BMODE] = 1 is ignored and reverts to create a blank display during the blink period.

Table 41-11. Display mode interaction

BLANK	ALT	BMODE	LCD duty cycle	BLINK = 1	
				Normal period	Blink period
0	0	0	1-4	Normal display	Blank display
0	0	1	1-4	Normal display	Alternate display ¹
0	1	0	1-4	Alternate display ¹	Blank display
0	1	1	1-4	Alternate display ¹	Alternate display ¹
1	x	0	1-4	Blank display	Blank display
1	x	1	1-4	Blank display	Alternate display ¹
0	x	x	8	Normal display	Blank display
1	x	x	8	Blank display	Blank display

1. For alternate display modes, both the segment data and the back plane configuration must be configured for both the upper and lower nibble. For example, if LCD_P0 is configured as back plane 0 (phase A) then for proper operation in Alternate Display mode, the WF3TO0 should be set to 0x00000011 to set both BPEWF0 and BPAWF0.

41.5.3.2 Blink frequency

The LCD clock is the basis for the calculation of the LCD controller blink frequency. The LCD controller blink frequency is equal to the LCD clock (GCR[LCLK]) divided by the factor selected by the AR[BRATE[2:0]] bits. The following table shows LCD controller blink frequency calculations for all values of AR[BRATE[2:0]] at a few common GCR[LCLK] selections.

Table 41-12. Blink frequency calculations (Blink rate = LCD clock (Hz) ÷ Blink divider)

AR[BRATE[2:0]]	0	1	2	3	4	5	6	7
LCD clock (GCR[LCLK])	Blink frequency (Hz)							
30 kHz	7.32	3.66	1.831	0.916	0.46	0.23	0.11	0.06
32.768 kHz	8	4	2	1	0.5	0.25	0.13	0.06
39.063 kHz	9.54	4.77	2.38	1.19	0.6	0.30	0.15	0.075

41.5.4 LCD charge pump and power supply operation

This section describes the LCD charge pump and LCD power supply configuration options.

The LCD bias voltages (V_{LL1} , V_{LL2} and V_{LL3}) can be generated by the LCD charge pump or a resistor divider network that is connected using the GCR[CPSEL] bit. The input source to the LCD charge pump is controlled by GCR[VSUPPLY].

GCR[VSUPPLY] indicates the state of internal signals used to configure power switches as shown in the table in the following figure. The block diagram in the following figure illustrates several potential operational modes for SLCD including configuration of the SLCD power supply source using V_{DD} , internal regulated voltage V_{IREG} , or an external supply on V_{LL3} . V_{LL3} must never be externally driven to any level other than V_{DD} .

Upon reset GCR[VSUPPLY] is configured to connect V_{LL3} to V_{DD} . This configuration must be changed to match the application requirements before SLCD is enabled.

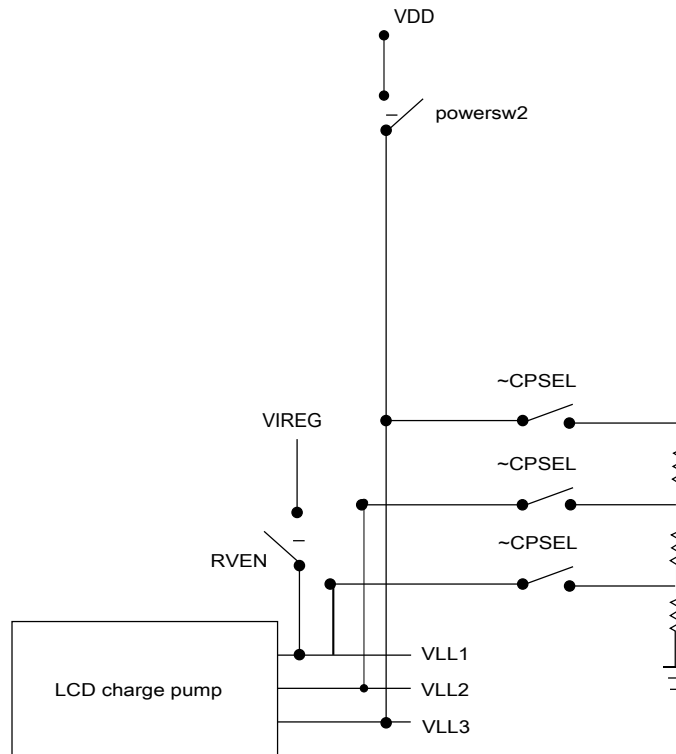


Figure 41-6. LCD charge pump block diagram

Table 41-13. LCD power supply configuration options

GCR[VSUPPLY]	Configuration	—	powersw2
0	Drive V_{LL3} internally from V_{DD}	—	1
1	Drive V_{LL3} externally from V_{DD} or Drive V_{LL1} internally from V_{IREG}	—	0

Note

The charge pump is optimized for 1/3 bias mode operation only.

The charge pump requires external capacitance for its operation. Place 0.1 μF ceramic capacitors across V_{cap1} and V_{cap2} , and from each V_{LLx} pin to ground.

41.5.4.1 LCD power supply configuration

The LCD bias voltages can be internally derived from:

- V_{DD}
- A voltage source connected to V_{LL3} . This voltage source must not be externally driven to any level other than V_{DD} .
- Internally derived from a regulated voltage source that can be configured to supply 1.0 V (V_{IREG})

Table 41-14 provides a more detailed description of the power state of SLCD that depends on the configuration of the $\text{GCR}[\text{VSUPPLY}]$, $\text{GCR}[\text{CPSEL}]$ and $\text{GCR}[\text{RVEN}]$ bits. The table shows all possible configurations of the LCD power supply. All other combinations of the configuration bits above are not permissible LCD power supply modes and must be avoided.

Table 41-14. LCD power supply options

LCD operational state	LCD power supply configuration	VSUPPLY	CPSEL	RVEN
V_{LL3} connected to V_{DD} internally	For 3 V glass operation, V_{DD} must be in valid range for contrast desired for display. Charge pump is used to generate V_{LL1} and V_{LL2} .	0	1	0
V_{LL3} is driven externally	For 3 V glass operation, V_{LL3} must be in valid range for contrast desired on the display. Charge pump is used to generate V_{LL1} and V_{LL2} .	1	1	0
V_{LL3} is driven externally Resistor bias network enabled.	For 3 V glass operation V_{LL3} must be in valid range for contrast desired on the display. Charge pump is disabled. Resistor bias network is used to create V_{LL1} and V_{LL2} .	1	0	0
V_{IREG} is connected to V_{LL1}	For 3 V glass operation,, $V_{\text{IREG}} = 1 \text{ V}$. V_{IREG} may be adjusted to achieve desired contrast V_{IREG} is connected to V_{LL1} internally. Charge pump is used to generate V_{LL2} and V_{LL3} .	1	1	1

41.5.4.1.1 LCD external power supply, VSUPPLY = 1

When VSUPPLY = 1, powersw2 is deasserted. V_{DD} is not available to power SLCD internally, so an alternate (internal RBIAS or external) power source is required for V_{LL1} , V_{LL2} , and V_{LL3} when the charge pump is disabled.

If the charge pump is enabled, external power must be applied to V_{LL3} , V_{LL2} , or V_{LL1} ; or internal power applied to V_{LL1} through the V_{IREG} . If V_{LL3} is applied externally, it MUST be equal to V_{DD} . With this configuration, the charge pump generates the other LCD bias voltages not provided internally or externally.

Internal V_{IREG}

If the charge pump is enabled, the internal regulated voltage, V_{IREG} , can be used as an input to generate the LCD bias voltages. In this state, the external voltage source must not be connected to V_{LL1} , V_{LL2} , or V_{LL3} . V_{IREG} is controlled by the LCD general control register (GCR). [LCD Charge Pump](#) shows that V_{IREG} is connected to V_{LL1} when the RVEN bit is set.

V_{LL1} is connected to the internal charge pump. Using the charge pump, the value of V_{LL1} is tripled and output as V_{LL3} . V_{IREG} should be adjusted so that V_{LL3} is in an acceptable range for the desired contrast on the glass.

GCR contains trim bits that can be used to make changes to the regulated voltage so that contrast can be adjusted as desired. The trim can be used to increase or decrease the regulated voltage by 1.5% for each count. A total of $\pm 12\%$ of change can be done to the regulated voltage.

41.5.4.1.2 LCD internal power supply, VSUPPLY = 0

V_{DD} is used as the SLCD power supply when VSUPPLY = 0. When powering SLCD using V_{DD} , the charge pump must be enabled (GCR[CPSEL] = 1).

When VSUPPLY = 0, $V_{DD} = V_{LL3}$ and V_{DD} should be kept in a range that supports the desired contrast on the glass.

41.5.5 Resets

During a reset except V_{LLS3}/V_{LLS1} recovery reset, SLCD is configured in Default mode. Default mode includes the following settings:

- GCR[LCDEN] is cleared, thereby forcing all front plane and back plane driver outputs to the high impedance state.

- GCR[PAD_SAFE] is cleared, thereby allowing LCD to take control of pad functions. If the LCD will not be used, or during changes of the PEN register, it is recommended to set PAD_SAFE.
- 1/4 duty
- 1/3 bias
- LCLK[2:0], FFR, VSUPPLY , CPSEL, RVEN, and BRATE[2:0] revert to their reset values; V_{LL3} is internally connected to V_{DD}

41.5.6 Interrupts

When a fault detection complete event occurs, FDSR[FDCF] bit is set. The FDSR[FDCF] bit remains asserted until software writes 1 to clear. If both FDSR[FDCF] and GCR[FDCIEN] bits are set, an LCD interrupt signal is asserted.

41.5.7 LCD display fault detect circuit (LFD)

Most failures, where an LCD segment is either unexpectedly on or off, result in erroneous information that can mislead a user and cause a dangerous situation. The LCD display fault detect circuit's (LFD) function finds faults in the LCD display, display connector, and board connections between the MCU and the display.

The LCD panel can be regarded as a matrix of segments, as shown in [Figure 41-7](#), [Figure 41-8](#), and [Figure 41-9](#). Any open/short connection changes the capacitive characteristics of the segment matrix. The pullup fault detection checks the capacitive characteristic of an LCD_Pn pin by applying a weak pullup voltage to the display capacitor matrix. The rise time response is sampled and summed within a user-defined time frame and stored for postprocessing in FDSR[FDCNT]. The summing of the digitized values uses the principle that the response of a capacitor for each charge/discharge is constant for the same loading conditions.

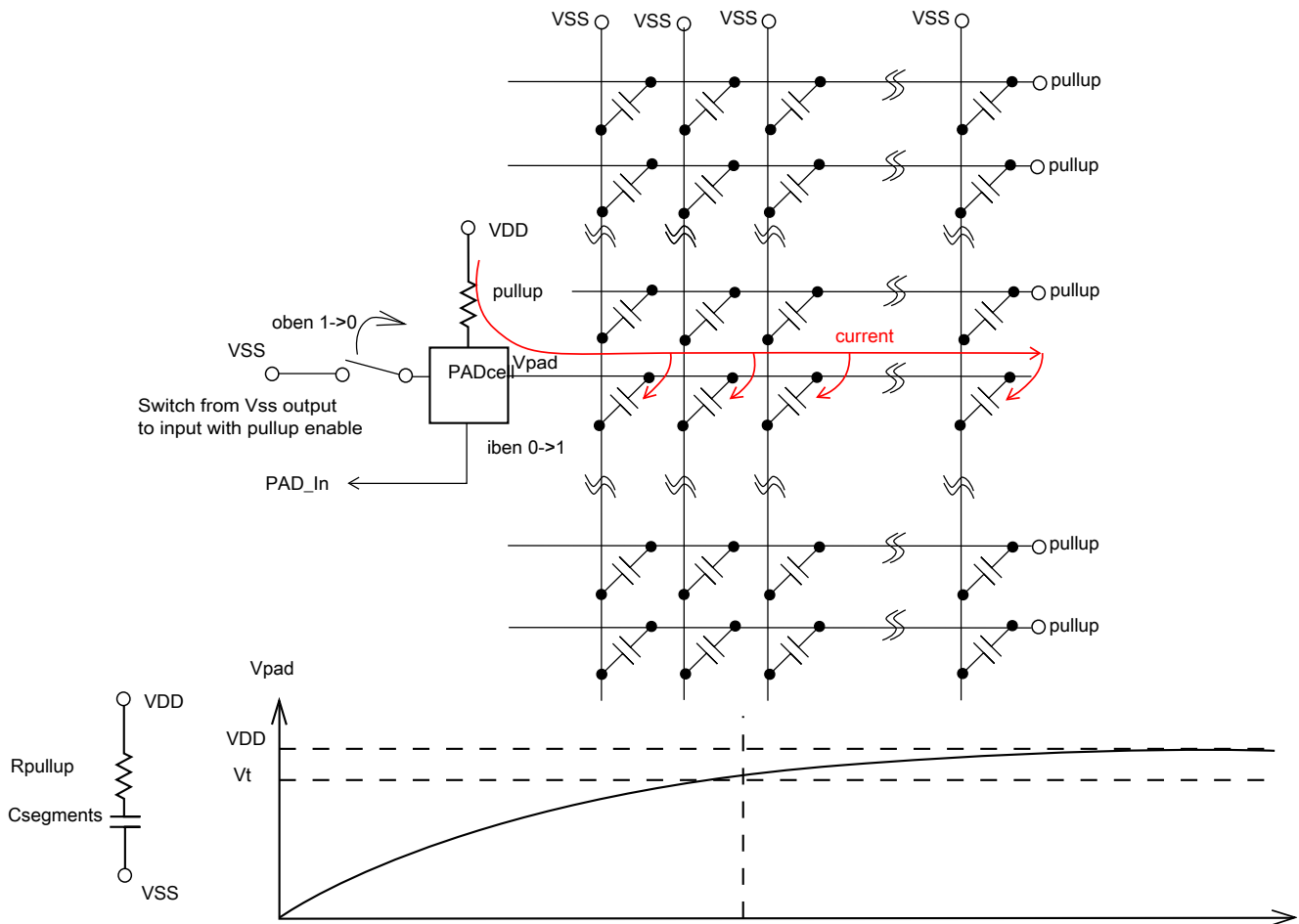
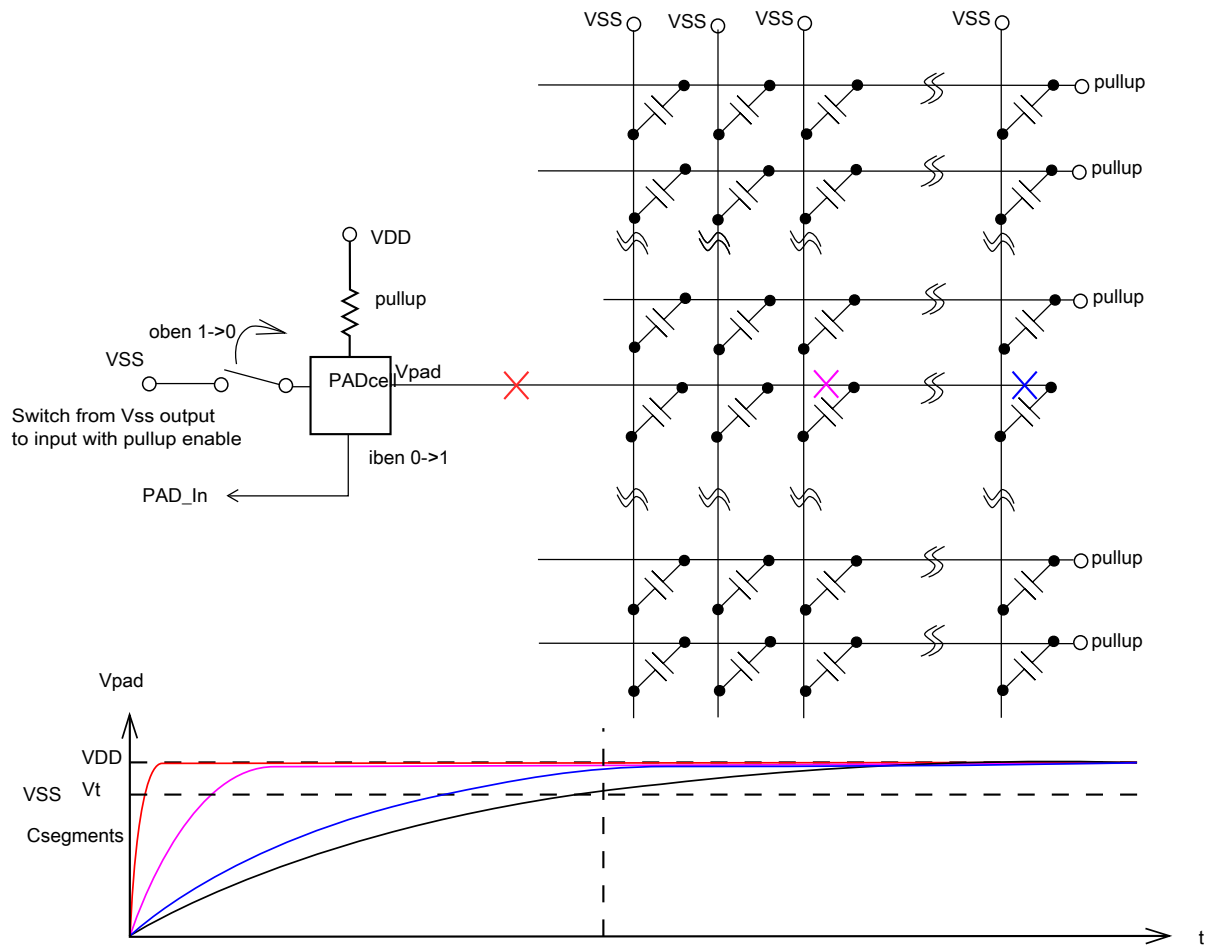


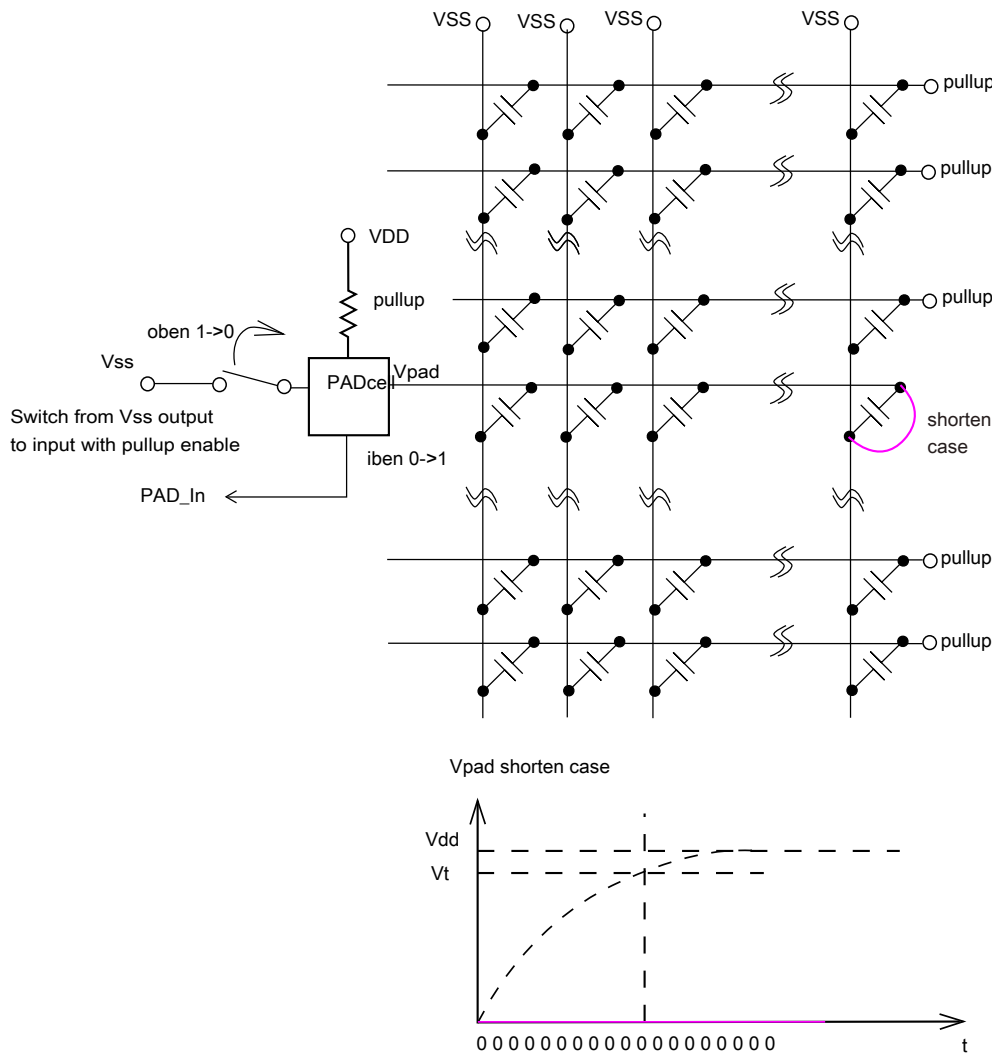
Figure 41-7. Pullup fault detect in connection/segment normal case

Functional description



If there's any open case in connection or panel, the Csegments will become smaller, which makes the pullup time shorter.

Figure 41-8. Pullup fault detect in connection/segment open case



If there's any short case between BP and FP, Vpad will be shortened to VSS and never be pulled up.

Figure 41-9. Pullup fault detect in connection/segment short case

This circuit works by measuring the capacitance of the LCD front plane or back plane connection and comparing it to a reference number. This reference number is usually measured at the user's production facility (by this circuit) and stored in flash memory for later comparison. The comparison must account for fluctuations due to temperature, voltage, and other environmental effects. Intelligent software may be able to account for these effects more accurately by using time-dependent algorithms; but the basic comparison to a factory-measured number should be sufficient for most applications.

This circuit can measure the following:

- Front plane or back plane rise time response changes, including pad, pin, board, and all pixels connected to the measured front plane or back plane.

Functional description

- Short-circuits in the front plane or back plane connection (all silicon or board locations), see [Figure 41-9](#).
- Excessive leakage in the front plane or back plane connection (silicon or board).
- Supply connectivity through the driver for the V_{SS} level.
- Opens in the front plane or back plane connection (bondwire, package, silicon, or board), see [Figure 41-9](#).

The purpose of this circuit is not to:

- Measure independent pixel capacitances.
- Measure voltage levels or contrast.
- Measure the open connections between the front plane/back plane and the V_{LL1} , V_{LL2} , and V_{LL3} drivers.

If there is any open case in connection or panel, C_{segments} becomes smaller, which changes the rise time response.

Pullup fault detection can be performed while LCDEN is asserted.

1. Set the target pin number by writing `FDCR[FDPINID[5:0]]`.
2. Set `FDCR[FDBPEN]` if the target pin is working as back plane, or set `FDCR[FDBPEN]` as 0 if the target pin is working as front plane.
3. Select the sample clock frequency by setting `FDCR[FDPRS[2:0]]`.
4. Set the sample window by writing to `FDCR[FDSWW[2:0]]`.
5. Enable detection by writing 1 to `FDCR[FDEN]`.
6. Wait until the `FDSR[FDCF]` bit is asserted (by polling or by interrupt).
7. Read `FDSR[FDCNT]`.
8. Write 1 to clear `FSCR[FDCF]`.

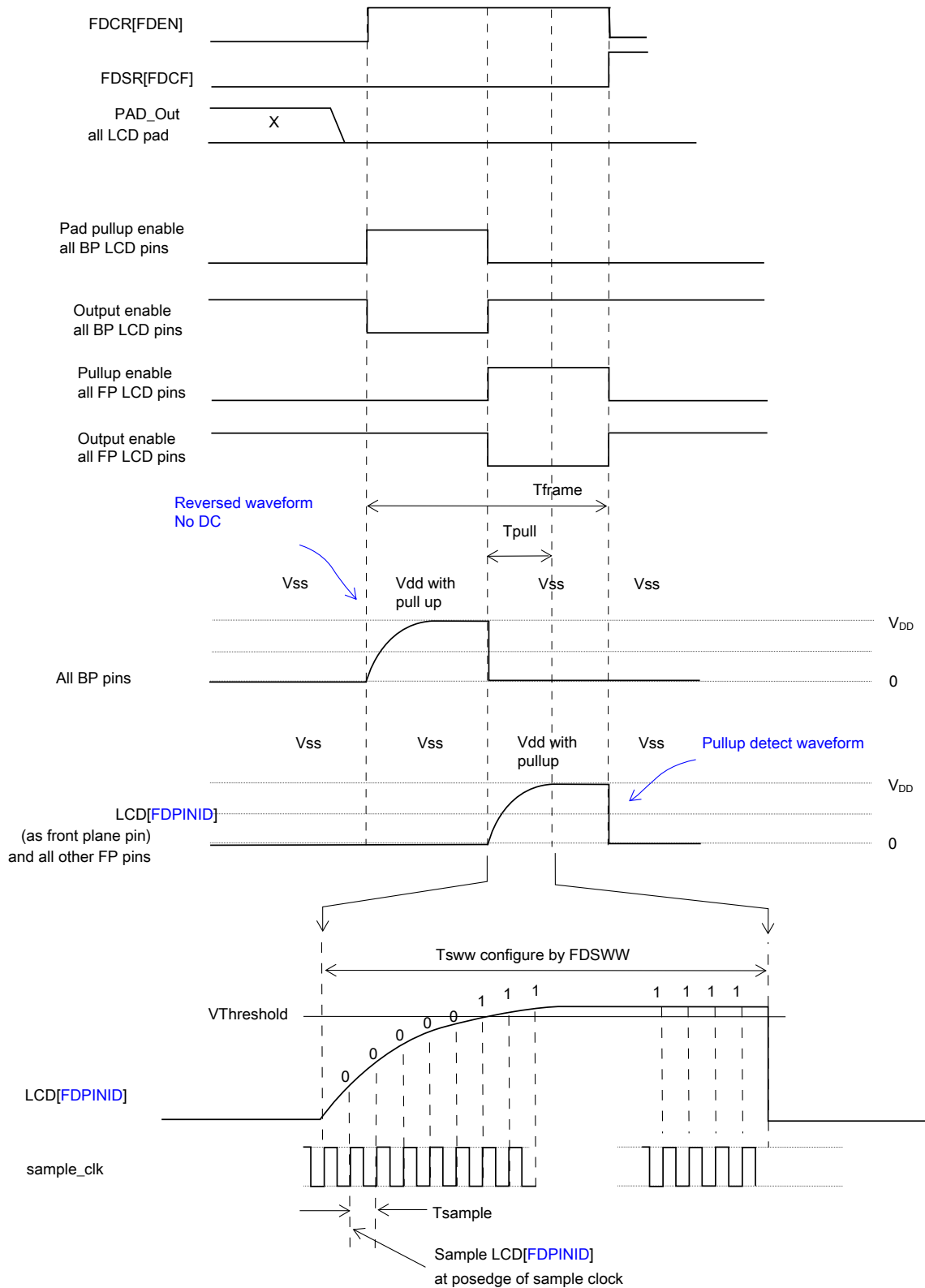


Figure 41-10. Pullup fault detection timing diagram, while FDBPEN is 0

Functional description

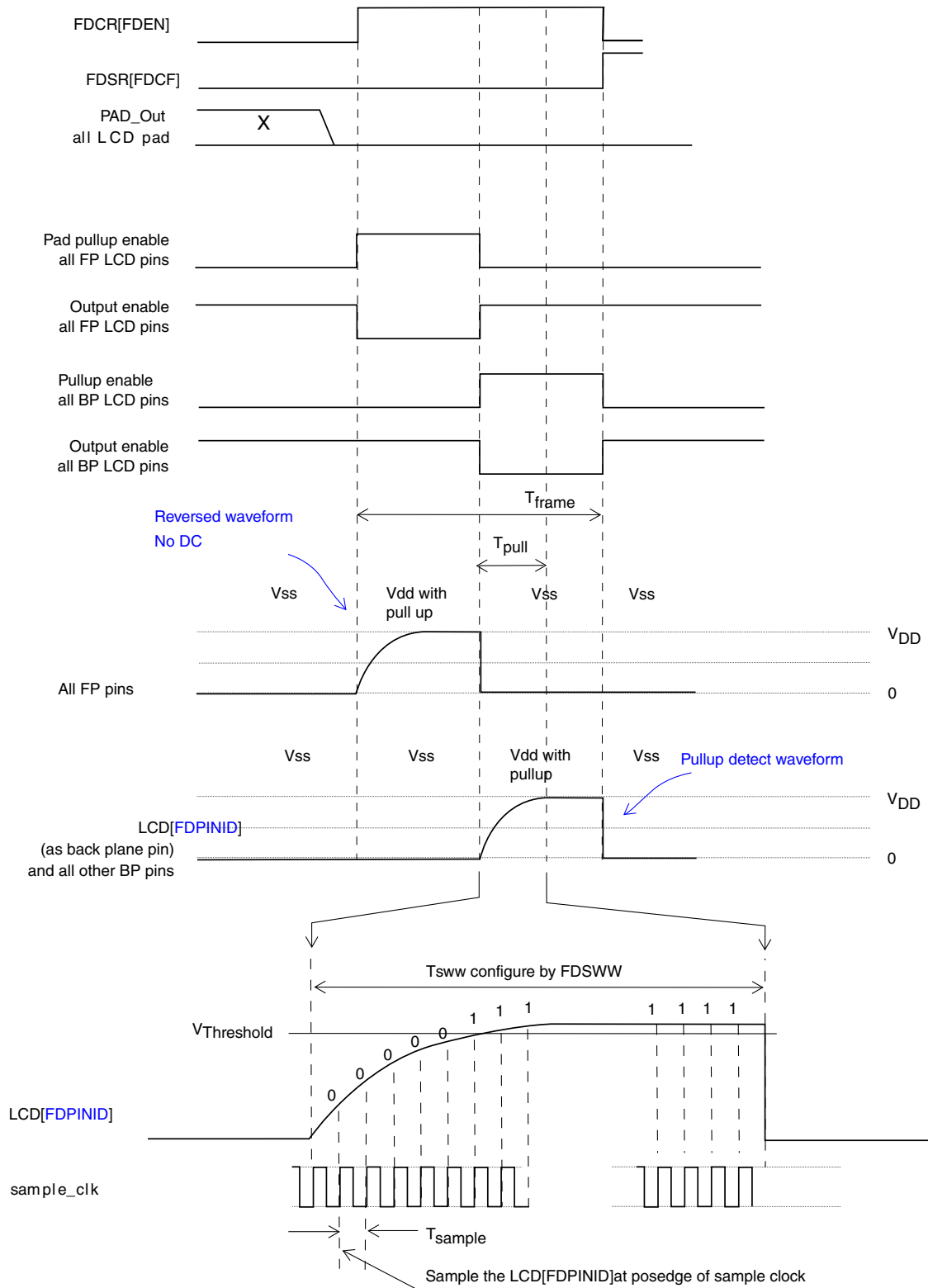


Figure 41-11. Pullup fault detection timing diagram, while `FDBPEN` is 1

Note

The voltage waveforms applied to the LCD electrodes must have no DC component. Therefore, a reversed pullup voltage waveform must be applied before the pullup detect waveform.

Fault detection occupies one frame and the pullup time is half-frame duration. You must ensure that the fault detection window set by the sample window width is less than half-frame duration.

41.6 Initialization section

This section provides a recommended initialization sequence for the LCD controller and also includes initialization examples for several LCD application scenarios.

41.6.1 Initialization sequence

The list below provides a recommended initialization sequence for the LCD controller.

You must write to all PEN, BPEN, and WFyTOx registers to initialize their values after a reset.

1. GCR
 - a. If desired, set PAD_SAFE bit to prevent unwanted operation on LCD pins during configuration change. Configure LCD clock source (SOURCE bit).
 - b. Configure ALTSOURCE bit.
 - c. Enable regulated voltage (RVEN).
 - d. Trim the regulated voltage (RVTRIM).
 - e. Enable charge pump (CPSEL bit).
 - f. Configure charge pump clock (LADJ[1:0]).
 - g. Configure LCD power supply (VSUPPLY).
 - h. Configure LCD behavior in low-power mode (LCDDOZE and LCDSTP bits).
 - i. Configure LCD duty cycle (DUTY[2:0]).
 - j. Select and configure LCD frame frequency (LCLK[2:0]) and FFR.

2. AR

- a. Configure display mode (ALT and BLANK bits).
- b. Configure blink mode (BMODE).
- c. Configure blink frequency (BRATE[2:0]).

3. PENn

- a. Enable LCD controller pins (PEN[63:0] bits).

4. BPENn

- a. Enable LCD pins to operate as an LCD back plane (BPEN[63:0]).

5. WFyTOx

- a. Initialize WFyTOx registers with back plane configuration and an initial display screen.

6. GCR

- a. Disable PAD_SAFE bit, if set. Enable LCD controller (LCDEN bit).

7. LCD pins assigned to VCAP1 and VCAP2 may only be enabled if the pins are in charge pump mode (CPSEL=1).

- When CPSEL=0 and LADJ = 00 or 01, VLL1/2 pins cannot be used as LCD_P pins.
- When CPSEL=0 and LADJ = 10 or 11, VLL1/2 pins can be configured as LCD_P pins or GPIO pins and cannot be configured as bias voltage.
- When CPSEL=1, VLL1/2 cannot be used as LCD_P pins.

41.6.2 Initialization examples

This section provides initialization information for LCD configuration. Each example details the register and field values required to achieve the appropriate LCD configuration for a given LCD application scenario. [Table 41-15](#) lists each example and the setup requirements.

Table 41-15. LCD application scenario

Example	Operating voltage, V_{DD}	LCD clock source	LCD glass operating voltage	Required LCD segments	LCD frame rate	Blinking mode/rate	Behavior in Wait/Stop modes	LCD power input
1	2.7 V	External 32.768 kHz	3 V	128	30 Hz	None	Wait: on Stop: on	Power via external resistor bias network

These examples illustrate the flexibility of SLCD to be configured to meet a wide range of application requirements, including:

- Clock inputs/sources
- LCD power supply
- LCD glass operating voltage
- LCD segment count
- Varied blink modes/frequencies
- LCD frame rate

41.6.2.1 Initialization example 1

Table 41-16. LCD setup requirements for example 1

Example	Operating voltage, V_{DD}	LCD clock source	LCD glass operating voltage	Required LCD segments	LCD frame rate	Blinking mode/rate	Behavior in Stop and Wait modes	LCD power input
1	2.7 V	External 32.768 kHz	3 V	128	30 Hz	None	Wait: on Stop: on	Power via External resistor bias network

[Table 41-17](#) lists the setup values required to initialize the LCD as specified by example 1:

Table 41-17. Initialization register values for example 1

Register	Field	Binary value	Comment
GCR	CPSEL	0	Disable charge pump.

Table continues on the next page...

Table 41-17. Initialization register values for example 1 (continued)

Register	Field	Binary value	Comment
AR	LADJ[1:0]	XX	Adjust the resistor bias network for different LCD glass capacitance. or Configure LCD charge pump clock source.
	VSUPPLY	1	When VSUPPLY = 1 and CPSEL = 0, the LCD must be externally powered via V _{LL3} (see Table 41-14).
	LCDDOZE	1	LCD is "on" in Wait mode.
	LCDSTP	1	LCD is "on" in Stop mode.
	LCDEN	0	Initialization is done before initializing the LCD controller.
	SOURCE	0	Selects the external clock reference as the LCD clock input.
	ALTSOURCE	0	Default setting, ignored since SOURCE = 0
	LCLK[2:0]	101	For 1/8 duty cycle, select closest value to the desired 30 Hz LCD frame frequency (see Table 41-5).
	FFR	0	For 30Hz frame rate, use standard frame rate setting.
	DUTY[2:0]	111	For 128 segments (8x16), select 1/8 duty cycle.
	RVEN	0	V _I REG is not used for this configuration.
	RVTRIM[3:0]	XXXX	Trim value may be adjusted to achieve desired contrast. For a given voltage, trim value is determined by characterization.
	BLINK	0	No blinking.
	ALT	X	Alternate bit is configured during LCD operation.
	BLANK	X	Blank bit is configured during LCD operation.
	BMODE	X	N/A; Blink Blank = 0; Blink Alternate = 1
	BRATE[2:0]	XXX	N/A
PEN[3:0]	PEN0	11111111	Only 29 LCD pins need to be enabled. Note: Any of the 63 LCD pins can be used, this allows flexibility in the hardware design.
	PEN1	11111111	
	PEN2	11111111	
	PEN3	00000000	
BPEN[3:0]	BPEN0	11111111	Eight back plane pins needed. Note: Any LCD pin can be enabled to operate as a back plane.
	BPEN1	00000000	
	BPEN2	00000000	
	BPEN3	00000000	
WFyTOx	WF0	00000001	Configure which phase the eight back plane pins are active in. This configuration sets LCD_P0 to be active in Phase A, LCD_P1 to be active in Phase B, and so on.
	WF1	00000010	
	WF2	00000100	This configuration sets LCD pins 0–7 to represent back plane 1–8. Note: Any back plane pin can be active in any phase.
	WF3	00001000	
	WF4	00010000	
	WF5	00100000	
	WF6	01000000	
	WF7	10000000	

41.7 Application information

Figure 41-12 is a programmer's model of SLCD. The programmer's model groups the SLCD register fields into functional groups. The model is a high-level illustration of SLCD showing the module's functional hierarchy including initialization and runtime control.

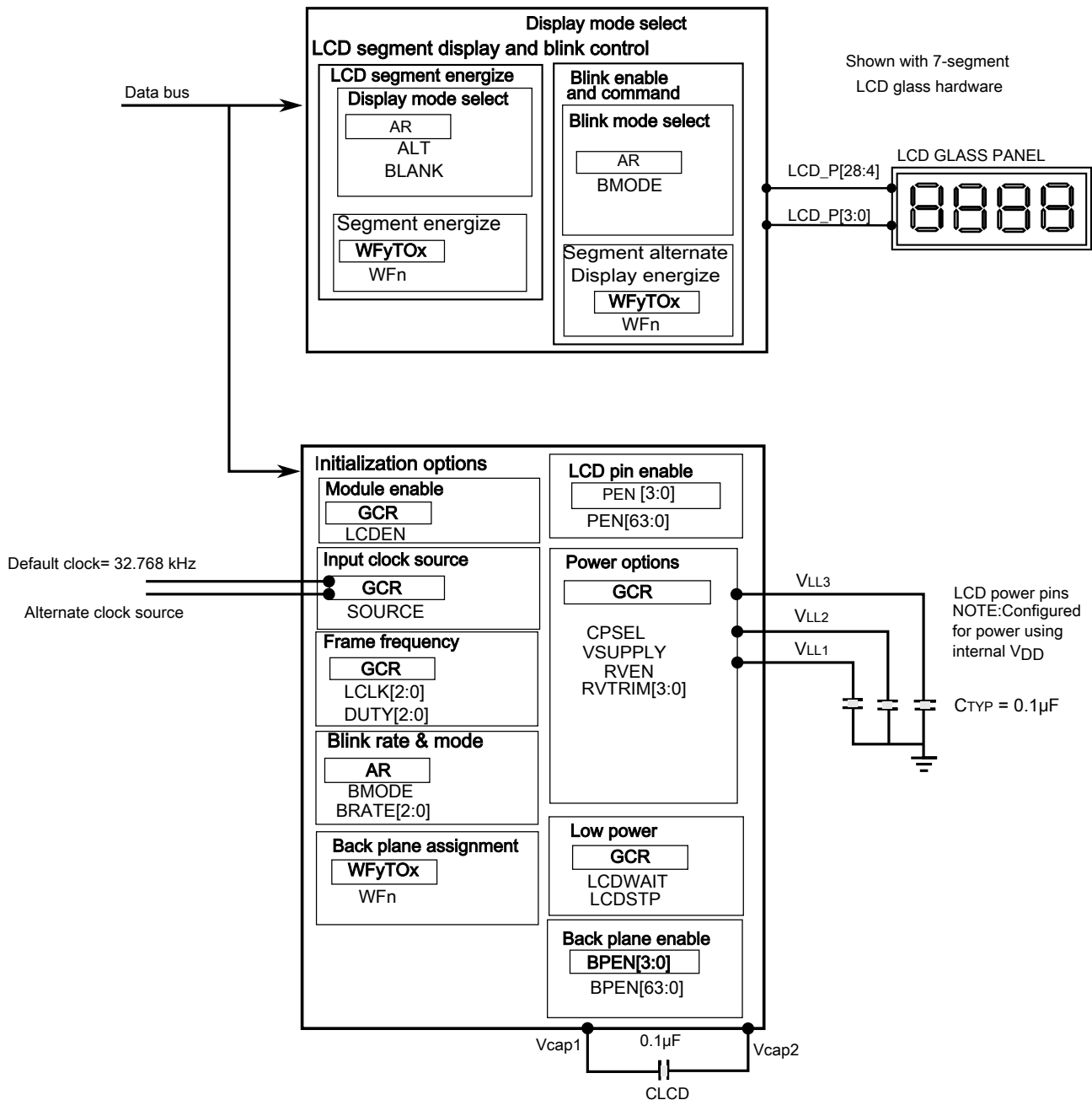
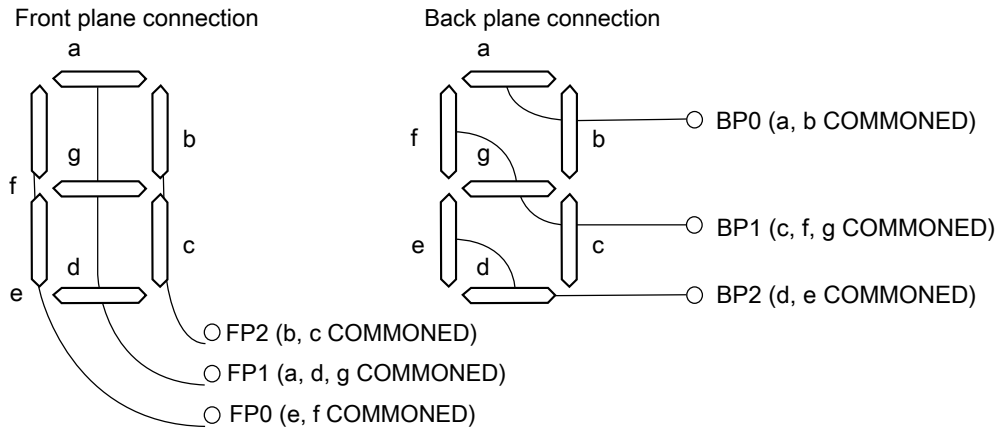


Figure 41-12. LCD programmer's model diagram

41.7.1 LCD seven segment example description

A description of the connection between SLCD and a seven segment LCD character is illustrated in [Figure 41-13](#) to provide a basic example for a 1/3 duty cycle LCD implementation. The example uses three back plane pins (LCD_P3, LCD_P4, and LCD_P5) and three front plane pins (LCD_P0, LCD_P1, and LCD_P2). The contents of the WFiTOx registers and output waveforms are also shown. Output waveforms are illustrated in the following two figures.



The above segment assignments are provided by the specification for the LCD glass for this example. For this LCD controller any of the LCD pins can be configured to be front plane 0-2 or back plane 0-2. For this example, set LCD_P0 as FP0, LCD_P1 as FP1, and LCD_P2 as FP2. For this example, set LCD_P3 as BP0, LCD_P4 as BP1 and LCD_P5 as BP2.

Back plane assignment is done in the LCD waveform registers as shown below:

WF3	0	0	0	0	0	0	0	1
WF4	0	0	0	0	0	0	1	0
WF5	0	0	0	0	0	1	0	0

With the above conditions the segment assignment is shown below:

WF0	-	-	-	-	-	e	f	-
WF1	-	-	-	-	-	d	g	a
WF2	-	-	-	-	-	-	c	b

To display the character "4": WF0 = XXXXX01X, WF1 = XXXXX010, WF2 = XXXXXX11

WF0	X	X	X	X	X	0	1	X
WF1	X	X	X	X	X	0	1	0
WF2	X	X	X	X	X	X	1	1

X = don't care

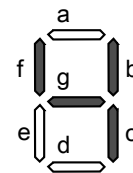


Figure 41-13. Waveform output from WFyTOx registers

41.7.1.1 LCD controller waveforms

Duty = 1/3

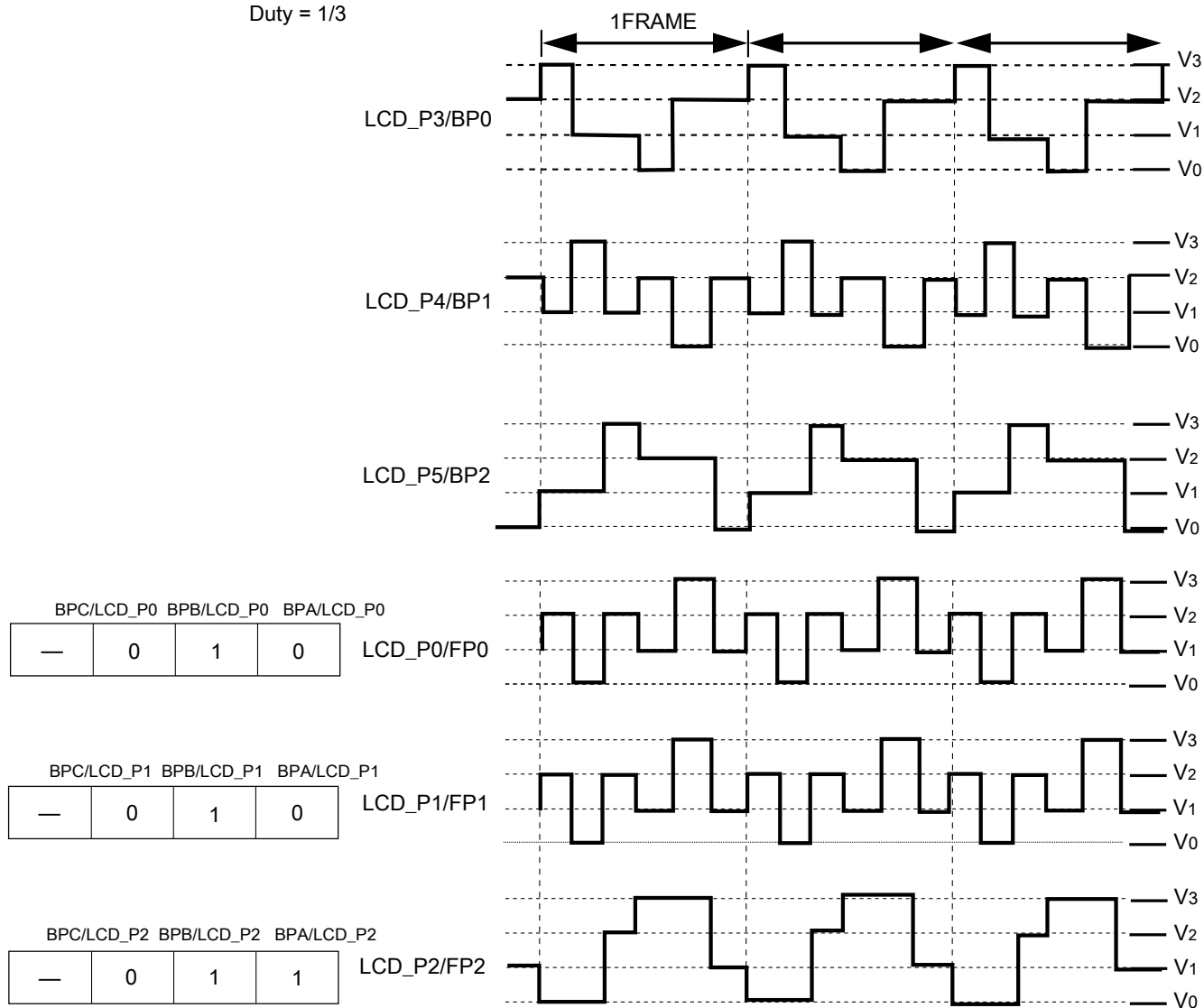


Figure 41-14. LCD waveforms

41.7.1.2 Segment on driving waveform

The voltage waveform across the "f" segment of the LCD (between LCD_P4/BP1 and LCD_P0/FP0) is illustrated in Figure 41-15. As shown in the waveform, the voltage level reaches the value V_3 — therefore, the segment will be on.

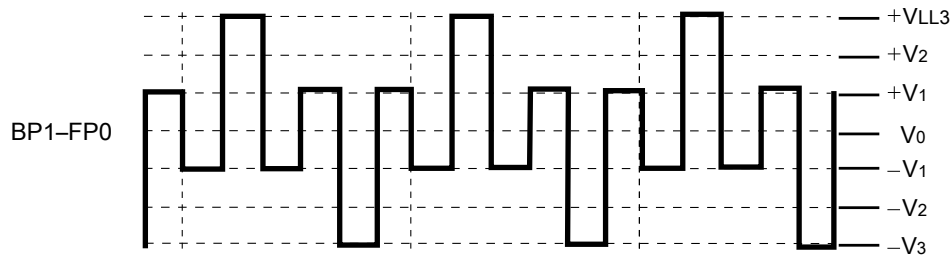


Figure 41-15. "f" segment voltage waveform

41.7.1.3 Segment off driving waveform

The voltage waveform across the "e" segment of the LCD (between LCD_P5/BP2 and LCD_P0/FP0) is illustrated in Figure 41-16. As shown in the waveform, the voltage does not reach the voltage V_3 threshold — therefore the segment will be off.

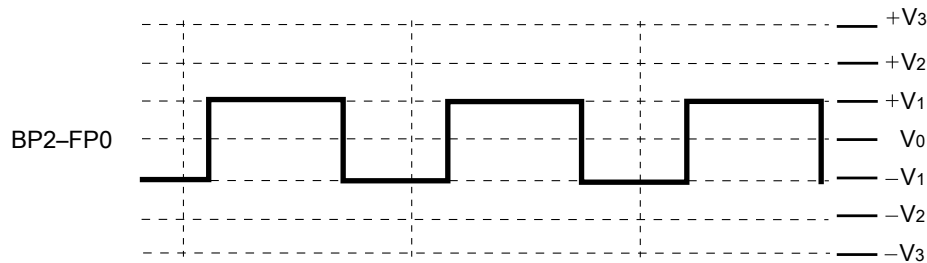


Figure 41-16. "e" segment voltage waveform

41.7.2 LCD contrast control

Contrast control for SLCD is achieved when the LCD power supply is adjusted to a value greater than or less than the LCD threshold voltage. The LCD threshold voltage is the nominal voltage required to energize the LCD segments. For 3 V LCD glass, the LCD threshold voltage is usually about 3 V. Increasing the value of the LCD voltage makes the energized segments on the LCD glass become more opaque. Decreasing the value of the LCD voltage makes the energized segments on the LCD glass become more transparent. The LCD power supply can be adjusted to facilitate contrast control by using the internal regulator V_{IREG} and adjusting its trim (RVTRIM), or for more extreme contrast control, by using external components like a variable resistor.

Application information

NOTE:
Contrast control configuration
when LCD is powered using
internal VDD

VDD is specified between 2.7 and 5.5V

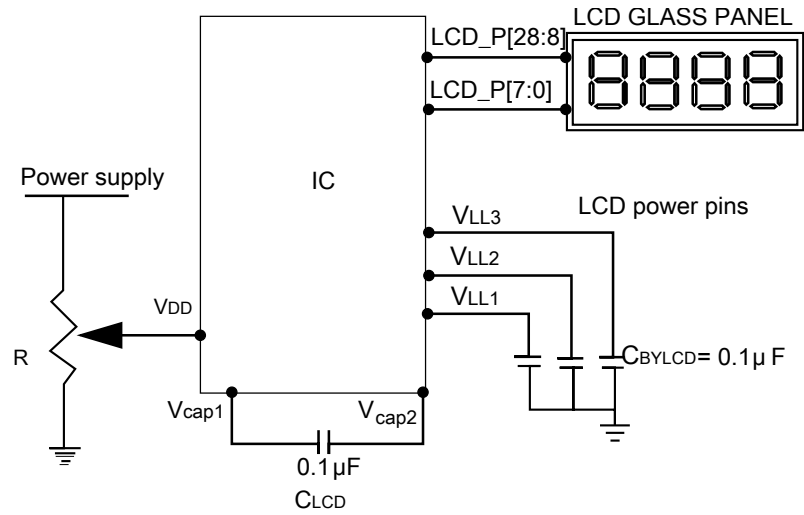


Figure 41-17. Power connections for contrast control

Chapter 42

Bit Manipulation Engine (BME)

42.1 Introduction

The Bit Manipulation Engine (BME) provides hardware support for atomic read-modify-write memory operations to the peripheral address space in Cortex-M0+ based microcontrollers.

This architectural capability is also known as "decorated storage" as it defines a mechanism for providing additional semantics for load and store operations to memory-mapped peripherals beyond just the reading and writing of data values to the addressed memory locations. In the BME definition, the "decoration", that is, the additional semantic information, is encoded into the peripheral address used to reference the memory.

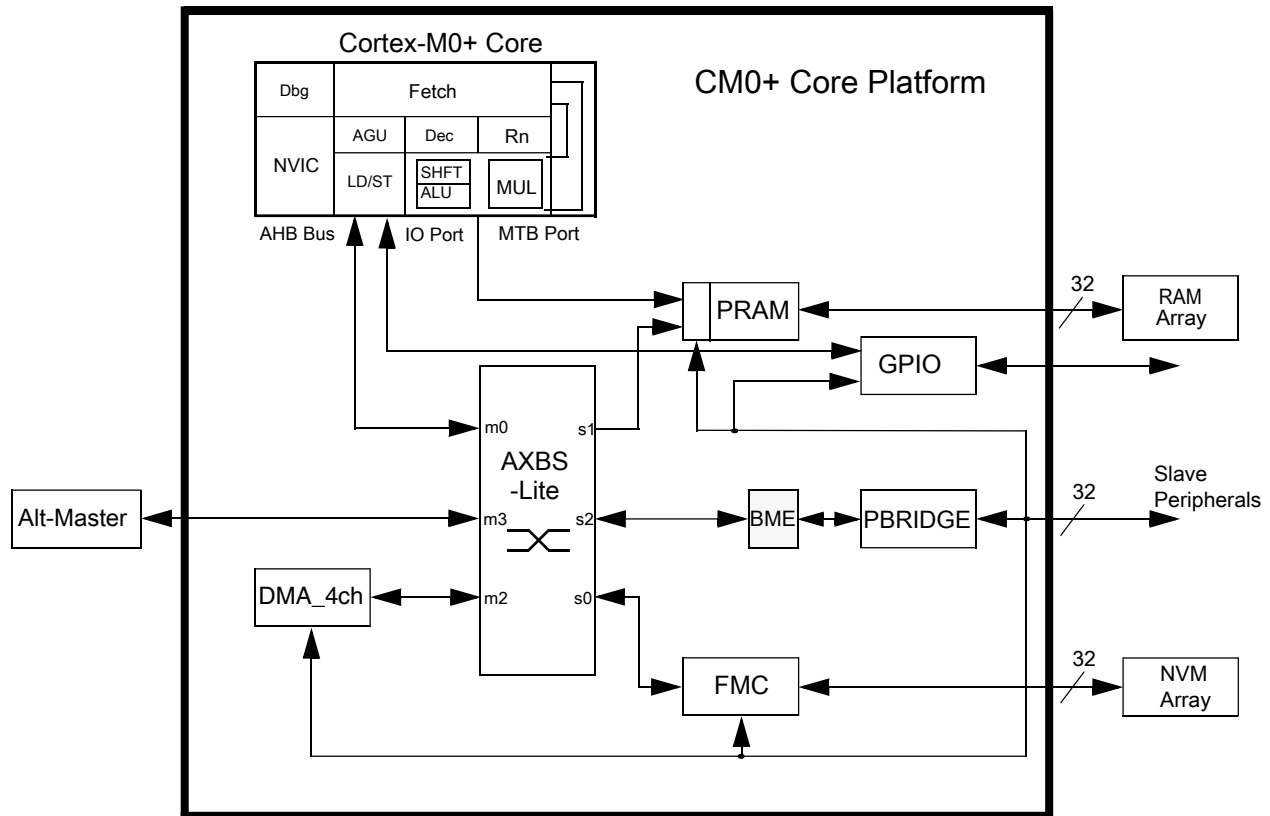
By combining the basic load and store instructions of the Arm Cortex-M instruction set architecture (v6M, v7M) with the concept of decorated storage provided by the BME, the resulting implementation provides a robust and efficient read-modify-write capability to this class of ultra low-end microcontrollers. The resulting architectural capability defined by this core platform function is targeted at the manipulation of n-bit fields in peripheral registers and is consistent with I/O hardware addressing in the Embedded C standard. For most BME commands, a single core read or write bus cycle is converted into an atomic read-modify-write, that is, an indivisible "read followed by a write" bus sequence.

BME decorated references are only available on system bus transactions generated by the processor core and targeted at the standard 512 KB peripheral address space based at 0x4000_0000¹. The decoration semantic is embedded into address bits[28:19], creating a 448 MB space at addresses 0x4400_0000–0x5FFF_FFFF for AIPS; these bits are stripped out of the actual address sent to the peripheral bus controller and used by the BME to define and control its operation.

1. To be perfectly accurate, the peripheral address space occupies a 516 KB region: 512 KB based at 0x4000_0000 plus a 4 KB space based at 0x400F_F000 for GPIO accesses. This organization provides compatibility with the Kinetis K Family. Attempted accesses to the memory space located between 0x4008_0000 - 0x400F_EFFF are error terminated due to an illegal address.

42.1.1 Overview

The following figure is a generic block diagram of the processor core and platform for this class of ultra low-end microcontrollers.



Note: BME can be accessed only by the core.

Figure 42-1. Cortex-M0+ core platform block diagram

As shown in the block diagram, the BME module interfaces to a crossbar switch AHB slave port as its primary input and sources an AHB bus output to the Peripheral Bridge (PBRIDGE) controller. The BME hardware microarchitecture is a 2-stage pipeline design matching the protocol of the AMBA-AHB system bus interfaces. The PBRIDGE module converts the AHB system bus protocol into the IPS/APB protocol used by the attached slave peripherals.

42.1.2 Features

The key features of the BME include:

- Lightweight implementation of decorated storage for selected address spaces

- Additional access semantics encoded into the reference address
- Resides between a crossbar switch slave port and a peripheral bridge bus controller
- Two-stage pipeline design matching the AHB system bus protocol
- Combinationally passes non-decorated accesses to peripheral bridge bus controller
- Conversion of decorated loads and stores from processor core into atomic read-modify-writes
- Decorated loads support unsigned bit field extracts, load-and-`{set,clear}` 1-bit operations
- Decorated stores support bit field inserts, logical AND, OR, and XOR operations
- Support for byte, halfword and word-sized decorated operations
- Supports minimum signal toggling on AHB output bus to reduce power dissipation

42.1.3 Modes of operation

The BME module does not support any special modes of operation. As a memory-mapped device located on a crossbar slave AHB system bus port, BME responds strictly on the basis of memory addresses for accesses to the peripheral bridge bus controller.

All functionality associated with the BME module resides in the core platform's clock domain; this includes its connections with the crossbar slave port and the PBRIDGE bus controller.

42.2 Memory map and register definition

The BME module provides a memory-mapped capability and does not include any programming model registers.

The exact set of functions supported by the BME are detailed in the [Functional description](#).

The peripheral address space occupies a 516 KB region: 512 KB based at 0x4000_0000 plus a 4 KB space based at 0x400F_F000 for GPIO accesses; the decorated address space is mapped to the 448 MB region located at 0x4400_0000–0x5FFF_FFFF.

42.3 Functional description

Information found here details the specific functions supported by the BME.

Recall the combination of the basic load and store instructions of the Cortex-M instruction set architecture (v6M, v7M) plus the concept of decorated storage provided by the BME, the resulting implementation provides a robust and efficient read-modify-write capability to this class of ultra low-end microcontrollers. The resulting architectural capability defined by this core platform function is targeted at the manipulation of n-bit fields in peripheral registers and is consistent with I/O hardware addressing in the Embedded C standard. For most BME commands, a single core read or write bus cycle is converted into an atomic read-modify-write, that is, an indivisible "read followed by a write" bus sequence.

Consider decorated store operations first, then decorated loads.

42.3.1 BME decorated stores

The functions supported by the BME's decorated stores include three logical operators (AND, OR, XOR) plus a bit field insert.

For all these operations, BME converts a single decorated AHB store transaction into a 2-cycle atomic read-modify-write sequence, where the combined read-modify operation is performed in the first AHB data phase, and then the write is performed in the second AHB data phase.

A generic timing diagram of a decorated store showing a peripheral bit field insert operation is shown as follows:

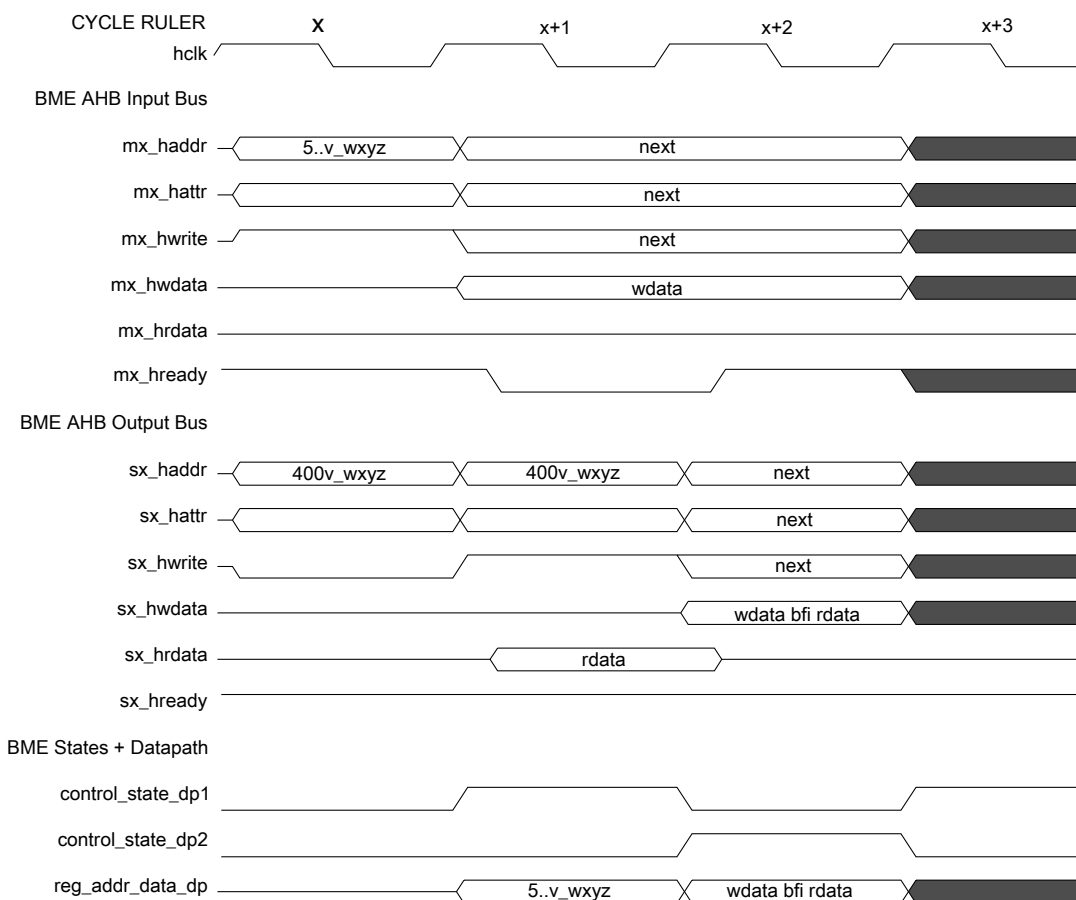


Figure 42-2. Decorated store: bit field insert timing diagram

All the decorated store operations follow the same execution template shown in [Figure 42-2](#), a two-cycle read-modify-write operation:

1. Cycle x, 1st AHB address phase: Write from input bus is translated into a read operation on the output bus using the actual memory address (with the decoration removed) and then captured in a register.
2. Cycle x+1, 2nd AHB address phase: Write access with the registered (but actual) memory address is output
3. Cycle x+1, 1st AHB data phase: Memory read data is modified using the input bus write data and the function defined by the decoration and captured in a data register; the input bus cycle is stalled.
4. Cycle x+2, 2nd AHB data phase: Registered write data is sourced onto the output write data bus.

NOTE

Any wait states inserted by the slave device are simply passed through the BME back to the master input bus, stalling the AHB transaction cycle for cycle.

42.3.1.1 Decorated store logical AND (AND)

This command performs an atomic read-modify-write of the referenced memory location.

1. First, the location is read;
2. It is then modified by performing a logical AND operation using the write data operand sourced for the system bus cycle
3. Finally, the result of the AND operation is written back into the referenced memory location.

The data size is specified by the write operation and can be byte (8-bit), halfword (16-bit) or word (32-bit). The core performs the required write data lane replication on byte and halfword transfers.

	31	30	29	28	27	26	25	24	23	22	21	20	19	18	17	16	15	14	13	12	11	10	9	8	7	6	5	4	3	2	1	0
ioandb	0	*	*	0	0	1	-	-	-	-	-	-	mem_addr																			
ioandh	0	*	*	0	0	1	-	-	-	-	-	-	mem_addr															0				
ioandw	0	*	*	0	0	1	-	-	-	-	-	-	mem_addr															0	0			

Figure 42-3. Decorated store address: logical AND

See [Figure 42-3](#), where $addr[30:29] = 10$ for peripheral, $addr[28:26] = 001$ specifies the AND operation, and $mem_addr[19:0]$ specifies the address offset into the space based at $0x4000_0000$ for peripherals. The "-" indicates an address bit "don't care".

The decorated AND write operation is defined in the following pseudo-code as:

```
ioand<sz>(accessAddress, wdata)           // decorated store AND
tmp = mem[accessAddress & 0xE0FFFFFF, size] // memory read
tmp = tmp & wdata                          // modify
mem[accessAddress & 0xE0FFFFFF, size] = tmp // memory write
```

where the operand size <sz> is defined as b(yte, 8-bit), h(alfword, 16-bit) and w(ord, 32-bit). This notation is used throughout the document.

In the cycle definition tables, the notations AHB_ap and AHB_dp refer to the address and data phases of the BME AHB transaction. The cycle-by-cycle BME operations are detailed in the following table.

Table 42-1. Cycle definitions of decorated store: logical AND

Pipeline stage	Cycle		
	x	x+1	x+2
BME AHB_ap	Forward addr to memory; Decode decoration; Convert	Recirculate captured addr + attr to memory as slave_wt	<next>

Table continues on the next page...

Table 42-1. Cycle definitions of decorated store: logical AND (continued)

Pipeline stage	Cycle		
	x	x+1	x+2
	master_wt to slave_rd; Capture address, attributes		
BME AHB_dp	<previous>	Perform memory read; Form (rdata & wdata) and capture destination data in register	Perform write sending registered data to memory

42.3.1.2 Decorated store logical OR (OR)

This command performs an atomic read-modify-write of the referenced memory location.

1. First, the location is read.
2. It is then modified by performing a logical OR operation using the write data operand sourced for the system bus cycle.
3. Finally, the result of the OR operation is written back into the referenced memory location.

The data size is specified by the write operation and can be byte (8-bit), halfword (16-bit) or word (32-bit). The core performs the required write data lane replication on byte and halfword transfers.

	31	30	29	28	27	26	25	24	23	22	21	20	19	18	17	16	15	14	13	12	11	10	9	8	7	6	5	4	3	2	1	0												
ioorb	0	*	*	0	1	0	-	-	-	-	-	-	mem_addr																															
ioorh	0	*	*	0	1	0	-	-	-	-	-	-	mem_addr																															0
ioorw	0	*	*	0	1	0	-	-	-	-	-	-	mem_addr																														0	0

Figure 42-4. Decorated address store: logical OR

See [Figure 42-4](#), where `addr[30:29] = 10` for peripheral, `addr[28:26] = 010` specifies the OR operation, and `mem_addr[19:0]` specifies the address offset into the space based at `0x4000_0000` for peripherals. The "-" indicates an address bit "don't care".

The decorated OR write operation is defined in the following pseudo-code as:

```
ioor<sz>(accessAddress, wdata)           // decorated store OR

tmp   = mem[accessAddress & 0xE0FFFFFF, size] // memory read
tmp   = tmp | wdata                          // modify
mem[accessAddress & 0xE0FFFFFF, size] = tmp  // memory write
```

The cycle-by-cycle BME operations are detailed in the following table.

Table 42-2. Cycle definitions of decorated store: logical OR

Pipeline stage	Cycle		
	x	x+1	x+2
BME AHB_ap	Forward addr to memory; Decode decoration; Convert master_wt to slave_rd; Capture address, attributes	Recirculate captured addr + attr to memory as slave_wt	<next>
BME AHB_dp	<previous>	Perform memory read; Form (rdata wdata) and capture destination data in register	Perform write sending registered data to memory

42.3.1.3 Decorated store logical XOR (XOR)

This command performs an atomic read-modify-write of the referenced memory location.

1. First, the location is read.
2. It is then modified by performing a logical XOR (exclusive-OR) operation using the write data operand sourced for the system bus cycle.
3. Finally, the result of the XOR operation is written back into the referenced memory location.

The data size is specified by the write operation and can be byte (8-bit), halfword (16-bit) or word (32-bit). The core performs the required write data lane replication on byte and halfword transfers.

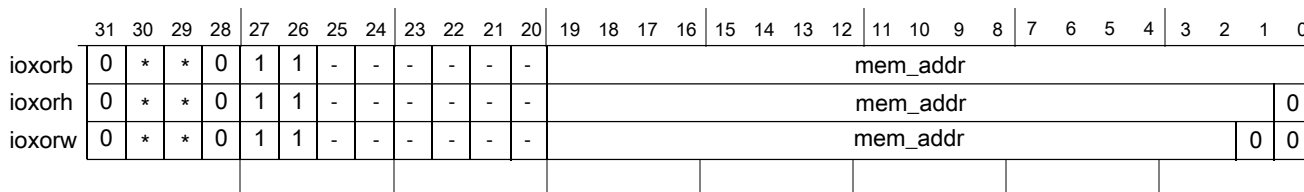


Figure 42-5. Decorated address store: logical XOR

See [Figure 42-5](#), where `addr[30:29] = 10` for peripheral, `addr[28:26] = 011` specifies the XOR operation, and `mem_addr[19:0]` specifies the address offset into the peripheral space based at `0x4000_0000` for peripherals. The "-" indicates an address bit "don't care".

The decorated XOR write operation is defined in the following pseudo-code as:

```
ioxor<sz>(accessAddress, wdata)           // decorated store XOR

tmp    = mem[accessAddress & 0xE0FFFFFF, size] // memory read
tmp    = tmp ^ wdata                          // modify
mem[accessAddress & 0xE0FFFFFF, size] = tmp   // memory write
```

The cycle-by-cycle BME operations are detailed in the following table.

Table 42-3. Cycle definitions of decorated store: logical XOR

Pipeline Stage	Cycle		
	x	x+1	x+2
BME AHB_ap	Forward addr to memory; Decode decoration; Convert master_wt to slave_rd; Capture address, attributes	Recirculate captured addr + attr to memory as slave_wt	<next>
BME AHB_dp	<previous>	Perform memory read; Form (rdata ^ wdata) and capture destination data in register	Perform write sending registered data to memory

42.3.1.4 Decorated store bit field insert (BFI)

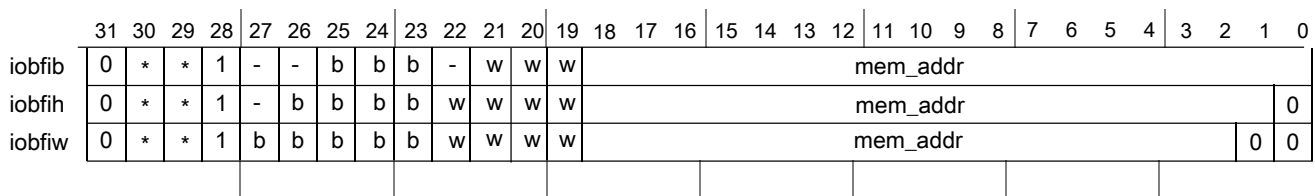
This command inserts a bit field contained in the write data operand, defined by LSB position (b) and the bit field width (w+1), into the memory "container" defined by the access size associated with the store instruction using an atomic read-modify-write sequence.

The data size is specified by the write operation and can be byte (8-bit), halfword (16-bit) or word (32-bit).

NOTE

For the word sized operation, the maximum bit field width is 16 bits. The core performs the required write data lane replication on byte and halfword transfers.

The BFI operation can be used to insert a single bit into a peripheral. For this case, the w field is simply set to 0, indicating a bit field width of 1.

**Figure 42-6. Decorated address store: bit field insert**

where $\text{addr}[30:29] = 10$ for peripheral, $\text{addr}[28] = 1$ signals a BFI operation, $\text{addr}[27:23]$ is "b", the LSB identifier, $\text{addr}[22:19]$ is "w", the bit field width minus 1 identifier, and $\text{addr}[18:0]$ specifies the address offset into the peripheral space based at $0x4000_0000$ for peripherals. The "-" indicates an address bit "don't care". Note, unlike the other decorated store operations, BFI uses $\text{addr}[19]$ as the least significant bit in the "w" specifier and not as an address bit.

Functional description

The decorated BFI write operation is defined in the following pseudo-code as:

```
iobfi<sz>(accessAddress, wdata)           // decorated bit field insert

tmp   = mem[accessAddress & 0xE007FFFF, size] // memory read
mask  = ((1 << (w+1)) - 1) << b             // generate bit mask
tmp   = tmp & ~mask                          // modify
      | wdata & mask
mem[accessAddress & 0xE007FFFF, size] = tmp // memory write
```

The write data operand (wdata) associated with the store instruction contains the bit field to be inserted. It must be properly aligned within a right-aligned container, that is, within the lower 8 bits for a byte operation, the lower 16 bits for a halfword, or the entire 32 bits for a word operation.

To illustrate, consider the following example of the insertion of the 3-bit field "xyz" into an 8-bit memory container, initially set to "abcd_efgh". For all cases, w is 2, signaling a bit field width of 3.

```
if b = 0 and the decorated store (strb) Rt register[7:0] = ----_xyz,
    then destination is "abcd_xyz"
if b = 1 and the decorated store (strb) Rt register[7:0] = ----xyz-,
    then destination is "abcd_xyzh"
if b = 2 and the decorated store (strb) Rt register[7:0] = ---x_yz--,
    then destination is "abcx_yzgh"
if b = 3 and the decorated store (strb) Rt register[7:0] = --xy_z---,
    then destination is "abxy_zfgh"
if b = 4 and the decorated store (strb) Rt register[7:0] = -xyz_----,
    then destination is "axyz_efgh"
if b = 5 and the decorated store (strb) Rt register[7:0] = xyz-____,
    then destination is "xyzd_efgh"
if b = 6 and the decorated store (strb) Rt register[7:0] = yz--____,
    then destination is "yzcd_efgh"
if b = 7 and the decorated store (strb) Rt register[7:0] = z---____,
    then destination is "zbcd_efgh"
```

Note from the example, when the starting bit position plus the field width exceeds the container size, only part of the source bit field is inserted into the destination memory location. Stated differently, if $(b + w + 1) > \text{container_width}$, only the low-order "container_width - b" bits are actually inserted.

The cycle-by-cycle BME operations are detailed in the following table.

Table 42-4. Cycle definitions of decorated store: bit field insert

Pipeline stage	Cycle		
	x	x+1	x+2
BME AHB_ap	Forward addr to memory; Decode decoration; Convert master_wt to slave_rd; Capture address, attributes	Recirculate captured addr + attr to memory as slave_wt	<next>
BME AHB_dp	<previous>	Perform memory read; Form bit mask; Form bitwise ((mask) ? wdata : rdata) and capture destination data in register	Perform write sending registered data to memory

42.3.2 BME decorated loads

The functions supported by the BME's decorated loads include two single-bit load-and-
{set, clear} operators plus unsigned bit field extracts.

For the two load-and-
{set, clear} operations, BME converts a single decorated AHB load transaction into a two-cycle atomic read-modify-write sequence, where the combined read-modify operations are performed in the first AHB data phase, and then the write is performed in the second AHB data phase as the original read data is returned to the processor core. For an unsigned bit field extract, the decorated load transaction is stalled for one cycle in the BME as the data field is extracted, then aligned and returned to the processor in the second AHB data phase. This is the only decorated transaction that is not an atomic read-modify-write, as it is a simple data read.

A generic timing diagram of a decorated load showing a peripheral load-and-set 1-bit operation is shown as follows.

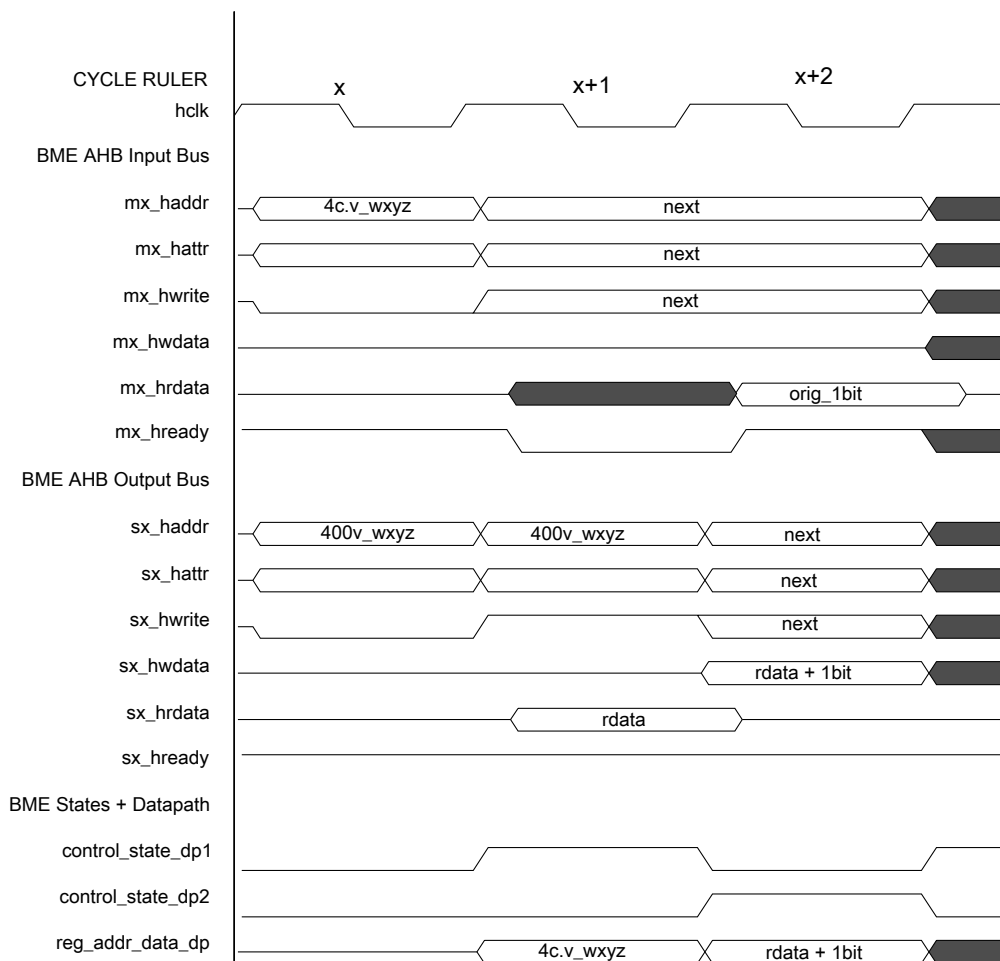


Figure 42-7. Decorated load: load-and-set 1-bit field insert timing diagram

Decorated load-and-`{set, clear}` 1-bit operations follow the execution template shown in the above figure: a 2-cycle read-modify-write operation:

1. Cycle x, first AHB address phase: Read from input bus is translated into a read operation on the output bus with the actual memory address (with the decoration removed) and then captured in a register
2. Cycle x+1, second AHB address phase: Write access with the registered (but actual) memory address is output
3. Cycle x+1, first AHB data phase: The "original" 1-bit memory read data is captured in a register, while the 1-bit field is set or clear based on the function defined by the decoration with the modified data captured in a register; the input bus cycle is stalled
4. Cycle x+2, second AHB data phase: The selected original 1-bit is right-justified, zero-filled and then driven onto the input read data bus, while the registered write data is sourced onto the output write data bus

NOTE

Any wait states inserted by the slave device are simply passed through the BME back to the master input bus, stalling the AHB transaction cycle for cycle.

A generic timing diagram of a decorated load showing an unsigned peripheral bit field operation is shown in the following figure.

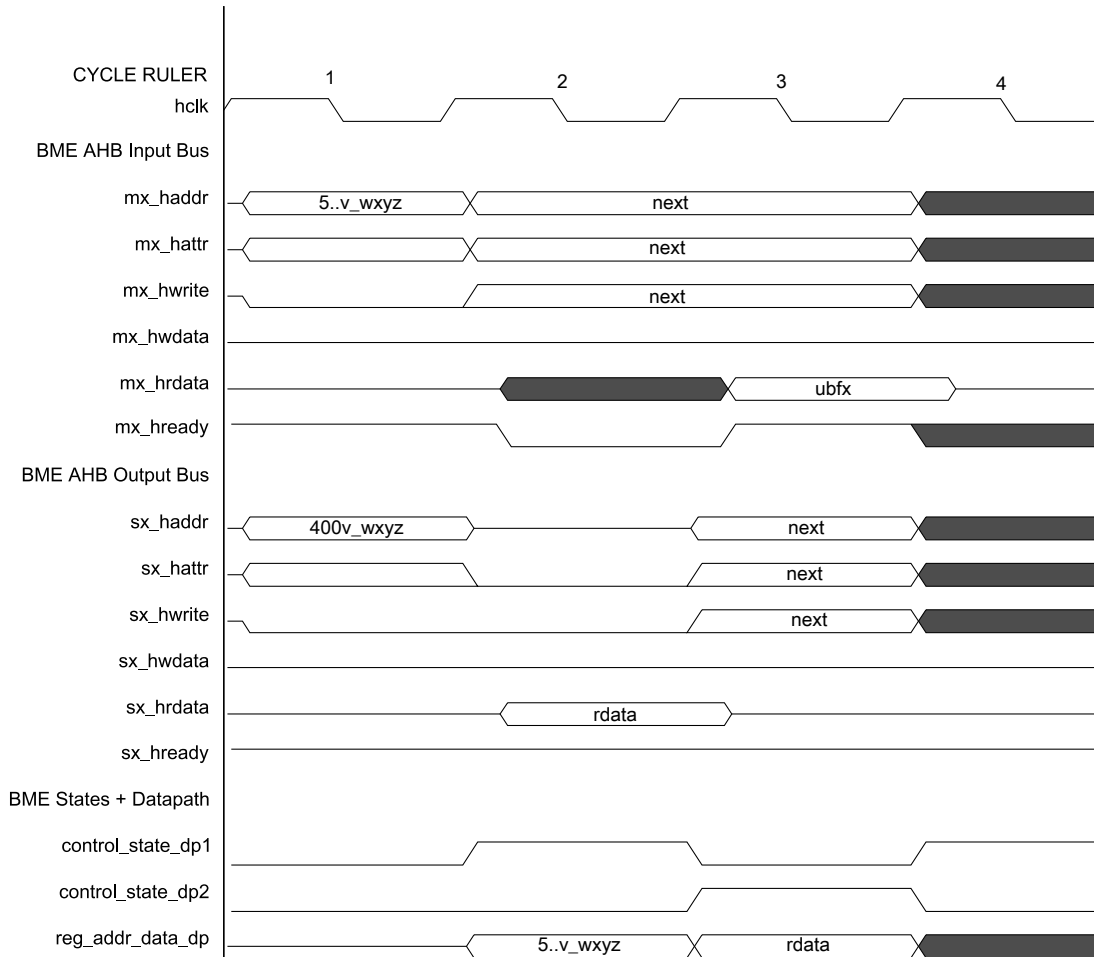


Figure 42-8. Decorated load: unsigned bit field insert timing diagram

The decorated unsigned bit field extract follows the same execution template shown in the above figure, a 2-cycle read operation:

- Cycle x, 1st AHB address phase: Read from input bus is translated into a read operation on the output bus with the actual memory address (with the decoration removed) and then captured in a register
- Cycle x+1, 2nd AHB address phase: Idle cycle

Functional description

- Cycle x+1, 1st AHB data phase: A bit mask is generated based on the starting bit position and the field width; the mask is AND'ed with the memory read data to isolate the bit field; the resulting data is captured in a data register; the input bus cycle is stalled
- Cycle x+2, 2nd AHB data phase: Registered data is logically right-aligned for proper alignment and driven onto the input read data bus

NOTE

Any wait states inserted by the slave device are simply passed through the BME back to the master input bus, stalling the AHB transaction cycle for cycle.

42.3.2.1 Decorated load: load-and-clear 1 bit (LAC1)

This command loads a 1-bit field defined by the LSB position (b) into the core's general purpose destination register (Rt) and zeroes the bit in the memory space after performing an atomic read-modify-write sequence.

The extracted 1-bit data field from the memory address is right-justified and zero-filled in the operand returned to the core.

The data size is specified by the read operation and can be byte (8-bit), halfword (16-bit) or word (32-bit).

	31	30	29	28	27	26	25	24	23	22	21	20	19	18	17	16	15	14	13	12	11	10	9	8	7	6	5	4	3	2	1	0
ioaclb	0	*	*	0	1	0	-	-	b	b	b	-	mem_addr																			
ioaclh	0	*	*	0	1	0	-	b	b	b	b	-	mem_addr															0				
ioaclw	0	*	*	0	1	0	b	b	b	b	b	-	mem_addr															0	0			

Figure 42-9. Decorated load address: load-and-clear 1 bit

See [Figure 42-9](#), where $\text{addr}[30:29] = 10$ for peripheral, $\text{addr}[28:26] = 010$ specifies the load-and-clear 1 bit operation, $\text{addr}[25:21]$ is "b", the bit identifier, and $\text{mem_addr}[19:0]$ specifies the address offset into the space based at $0x4000_0000$ for peripheral. The "-" indicates an address bit "don't care".

The decorated load-and-clear 1-bit read operation is defined in the following pseudo-code as:

```

rdata = ioacl<sz>(accessAddress)           // decorated load-and-clear 1

tmp    = mem[accessAddress & 0xE00FFFFF, size] // memory read
mask   = 1 << b                               // generate bit mask
rdata  = (tmp & mask) >> b                     // read data returned to core
tmp    = tmp & ~mask                           // modify
mem[accessAddress & 0xE00FFFFF, size] = tmp   // memory write

```

The cycle-by-cycle BME operations are detailed in the following table.

Table 42-5. Cycle definitions of decorated load: load-and-clear 1 bit

Pipeline Stage	Cycle		
	x	x+1	x+2
BME AHB_ap	Forward addr to memory; Decode decoration; Capture address, attributes	Recirculate captured addr + attr to memory as slave_wt	<next>
BME AHB_dp	<previous>	Perform memory read; Form bit mask; Extract bit from rdata; Form (rdata & ~mask) and capture destination data in register	Return extracted bit to master; Perform write sending registered data to memory

42.3.2.2 Decorated Load: Load-and-Set 1 Bit (LAS1)

This command loads a 1-bit field defined by the LSB position (b) into the core's general purpose destination register (Rt) and sets the bit in the memory space after performing an atomic read-modify-write sequence.

The extracted one bit data field from the memory address is right justified and zero filled in the operand returned to the core.

The data size is specified by the read operation and can be byte (8-bit), halfword (16-bit) or word (32-bit).

	31	30	29	28	27	26	25	24	23	22	21	20	19	18	17	16	15	14	13	12	11	10	9	8	7	6	5	4	3	2	1	0													
iolasb	0	*	*	0	1	1	-	-	b	b	b	-	mem_addr																																
iolash	0	*	*	0	1	1	-	b	b	b	b	-	mem_addr																															0	
iolasw	0	*	*	0	1	1	b	b	b	b	b	-	mem_addr																															0	0

Figure 42-10. Decorated load address: load-and-set 1 bit

where $\text{addr}[30:29] = 10$ for peripheral, $\text{addr}[28:26] = 011$ specifies the load-and-set 1 bit operation, $\text{addr}[25:21]$ is "b", the bit identifier, and $\text{mem_addr}[19:0]$ specifies the address offset into the space based at $0x4000_0000$ for peripheral. The "-" indicates an address bit "don't care".

The decorated Load-and-Set 1 Bit read operation is defined in the following pseudo-code as:

```

rdata = iolas1<sz>(accessAddress)           // decorated load-and-set 1

tmp    = mem[accessAddress & 0xE00FFFFFFF, size] // memory read
mask   = 1 << b                                 // generate bit mask
rdata  = (tmp & mask) >> b                       // read data returned to core

```

Functional description

```
tmp = tmp | mask // modify
mem[accessAddress & 0xE0FFFFFF, size] = tmp // memory write
```

The cycle-by-cycle BME operations are detailed in the following table.

Table 42-6. Cycle definitions of decorated load: load-and-set 1-bit

Pipeline Stage	Cycle		
	x	x+1	x+2
BME AHB_ap	Forward addr to memory; Decode decoration; Capture address, attributes	Recirculate captured addr + attr to memory as slave_wt	<next>
BME AHB_dp	<previous>	Perform memory read; Form bit mask; Extract bit from rdata; Form (rdata mask) and capture destination data in register	Return extracted bit to master; Perform write sending registered data to memory

42.3.2.3 Decorated load unsigned bit field extract (UBFX)

This command extracts a bit field defined by LSB position (b) and the bit field width (w +1) from the memory "container" defined by the access size associated with the load instruction using a two-cycle read sequence.

The extracted bit field from the memory address is right-justified and zero-filled in the operand returned to the core. Recall this is the only decorated operation that does not perform a memory write, that is, UBFX only performs a read.

The data size is specified by the write operation and can be byte (8-bit), halfword (16-bit) or word (32-bit). Note for the word sized operation, the maximum bit field width is 16 bits.

The use of a UBFX operation is recommended to extract a single bit. For this case, the w field is simply set to 0, indicating a bit field width of 1.

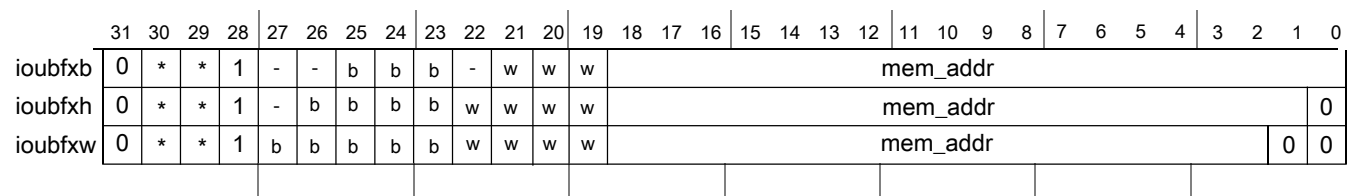


Figure 42-11. Decorated load address: unsigned bit field extract

See [Figure 42-11](#), where $\text{addr}[30:29] = 10$ for peripheral, $\text{addr}[28] = 1$ specifies the unsigned bit field extract operation, $\text{addr}[27:23]$ is "b", the LSB identifier, $\text{addr}[22:19]$ is "w", the bit field width minus 1 identifier, and $\text{mem_addr}[18:0]$ specifies the address

offset into the space based at 0x4000_0000 for peripheral. The "-" indicates an address bit "don't care". Note, unlike the other decorated load operations, UBFX uses addr[19] as the least significant bit in the "w" specifier and not as an address bit.

The decorated unsigned bit field extract read operation is defined in the following pseudo-code as:

```
rdata = ioubfx<sz>(accessAddress)           // unsigned bit field extract

tmp    = mem[accessAddress & 0xE007FFFF, size] // memory read
mask   = ((1 << (w+1)) - 1) << b             // generate bit mask
rdata  = (tmp & mask) >> b                   // read data returned to core
```

Like the BFI operation, when the starting bit position plus the field width exceeds the container size, only part of the source bit field is extracted from the destination memory location. Stated differently, if $(b + w + 1) > \text{container_width}$, only the low-order " $\text{container_width} - b$ " bits are actually extracted. The cycle-by-cycle BME operations are detailed in the following table.

Table 42-7. Cycle definitions of decorated load: unsigned bit field extract

Pipeline Stage	Cycle		
	x	x+1	x+2
BME AHB_ap	Forward addr to memory; Decode decoration; Capture address, attributes	Idle AHB address phase	<next>
BME AHB_dp	<previous>	Perform memory read; Form bit mask; Form (rdata & mask) and capture destination data in register	Logically right shift registered data; Return justified rdata to master

42.3.3 Additional details on decorated addresses and GPIO accesses

As previously noted, the peripheral address space occupies a 516 KB region: 512 KB based at 0x4000_0000 plus a 4 KB space based at 0x400F_F000 for GPIO accesses. This memory layout provides compatibility with the Kinetis K Family and provides 129 address "slots", each 4 KB in size.

The GPIO address space is multiply-mapped by the hardware: it appears at the "standard" system address 0x400F_F000 and is physically located in the address slot corresponding to address 0x4000_F000. Decorated loads and stores create a slight complication involving accesses to the GPIO. Recall the use of address[19] varies by decorated operation; for AND, OR, XOR, LAC1 and LAS1, this bit functions as a true address bit, while for BFI and UBFX, this bit defines the least significant bit of the "w" bit field specifier.

As a result, undecorated GPIO references and decorated AND, OR, XOR, LAC1 and LAS1 operations can use the standard 0x400F_F000 base address, while decorated BFI and UBFX operations must use the alternate 0x4000_F000 base address. Another implementation can simply use 0x400F_F000 as the base address for all undecorated GPIO accesses and 0x4000_F000 as the base address for all decorated accesses. Both implementations are supported by the hardware.

Table 42-8. Decorated peripheral and GPIO address details

Peripheral address space	Description
0x4000_0000–0x4007_FFFF	Undecorated (normal) peripheral accesses
0x4008_0000–0x400F_EFFF	Illegal addresses; attempted references are aborted and error terminated
0x400F_F000–0x400F_FFFF	Undecorated (normal) GPIO accesses using standard address
0x4010_0000–0x43FF_FFFF	Illegal addresses; attempted references are aborted and error terminated
0x4400_0000–0x4FFF_FFFF	Decorated AND, OR, XOR, LAC1, LAS1 references to peripherals and GPIO based at either 0x4000_F000 or 0x400F_F000
0x5000_0000–0x5FFF_FFFF	Decorated BFI, UBFX references to peripherals and GPIO only based at 0x4000_F000

42.4 Application information

In this section, GNU assembler macros with C expression operands are presented as examples of the required instructions to perform decorated operations.

This section specifically presents a partial bme.h file defining the assembly language expressions for decorated logical stores: AND, OR, and XOR. Comparable functions for BFI and the decorated loads are more complex and available in the complete BME header file.

These macros use the same function names presented in [Functional description](#).

```
#define IOANDW(ADDR,WDATA) \
    __asm("ldr    r3, =(1<<26);" \
          "orr    r3, %[addr];" \
          "mov    r2, %[wdata];" \
          "str    r2, [r3];" \
          ":: [addr] \"r\" (ADDR), [wdata] \"r\" (WDATA) : \"r2\", \"r3\");

#define IOANDH(ADDR,WDATA) \
    __asm("ldr    r3, =(1<<26);" \
          "orr    r3, %[addr];" \
          "mov    r2, %[wdata];" \
          "strh   r2, [r3];" \
          ":: [addr] \"r\" (ADDR), [wdata] \"r\" (WDATA) : \"r2\", \"r3\");

#define IOANDB(ADDR,WDATA) \
    __asm("ldr    r3, =(1<<26);" \
          "orr    r3, %[addr];" \
          "mov    r2, %[wdata];" \
          "strb   r2, [r3];" \
          ":: [addr] \"r\" (ADDR), [wdata] \"r\" (WDATA) : \"r2\", \"r3\");
```

```

#define IOORW(ADDR,WDATA)          \
    __asm("ldr    r3, =(1<<27);"  \
          "orr    r3, %[addr];"    \
          "mov    r2, %[wdata];"   \
          "str    r2, [r3];"       \
          ":: [addr] "r" (ADDR), [wdata] "r" (WDATA) : "r2", "r3");

#define IOORH(ADDR,WDATA)          \
    __asm("ldr    r3, =(1<<27);"  \
          "orr    r3, %[addr];"    \
          "mov    r2, %[wdata];"   \
          "strh   r2, [r3];"       \
          ":: [addr] "r" (ADDR), [wdata] "r" (WDATA) : "r2", "r3");

#define IOORB(ADDR,WDATA)          \
    __asm("ldr    r3, =(1<<27);"  \
          "orr    r3, %[addr];"    \
          "mov    r2, %[wdata];"   \
          "strb   r2, [r3];"       \
          ":: [addr] "r" (ADDR), [wdata] "r" (WDATA) : "r2", "r3");

#define IOXORW(ADDR,WDATA)         \
    __asm("ldr    r3, =(3<<26);"  \
          "orr    r3, %[addr];"    \
          "mov    r2, %[wdata];"   \
          "str    r2, [r3];"       \
          ":: [addr] "r" (ADDR), [wdata] "r" (WDATA) : "r2", "r3");

#define IOXORH(ADDR,WDATA)         \
    __asm("ldr    r3, =(3<<26);"  \
          "orr    r3, %[addr];"    \
          "mov    r2, %[wdata];"   \
          "strh   r2, [r3];"       \
          ":: [addr] "r" (ADDR), [wdata] "r" (WDATA) : "r2", "r3");

#define IOXORB(ADDR,WDATA)         \
    __asm("ldr    r3, =(3<<26);"  \
          "orr    r3, %[addr];"    \
          "mov    r2, %[wdata];"   \
          "strb   r2, [r3];"       \
          ":: [addr] "r" (ADDR), [wdata] "r" (WDATA) : "r2", "r3");

```


Chapter 43

Micro Trace Buffer (MTB)

43.1 Introduction

Microcontrollers using the Cortex-M0+ processor core include support for a CoreSight Micro Trace Buffer to provide program trace capabilities.

The proper name for this function is the CoreSight Micro Trace Buffer for the Cortex-M0+ Processor; in this document, it is simply abbreviated as the MTB.

The simple program trace function creates instruction address change-of-flow data packets in a user-defined region of the system RAM. Accordingly, the system RAM controller manages requests from two sources:

- AMBA-AHB reads and writes from the system bus
- program trace packet writes from the processor

As part of the MTB functionality, there is a DWT (Data Watchpoint and Trace) module that allows the user to define watchpoint addresses, or optionally, an address and data value, that when triggered, can be used to start or stop the program trace recording.

This document details the functionality of both the MTB_RAM and MTB_DWT capabilities.

43.1.1 Overview

A generic block diagram of the processor core and platform for this class of ultra low-end microcontrollers is shown as follows:

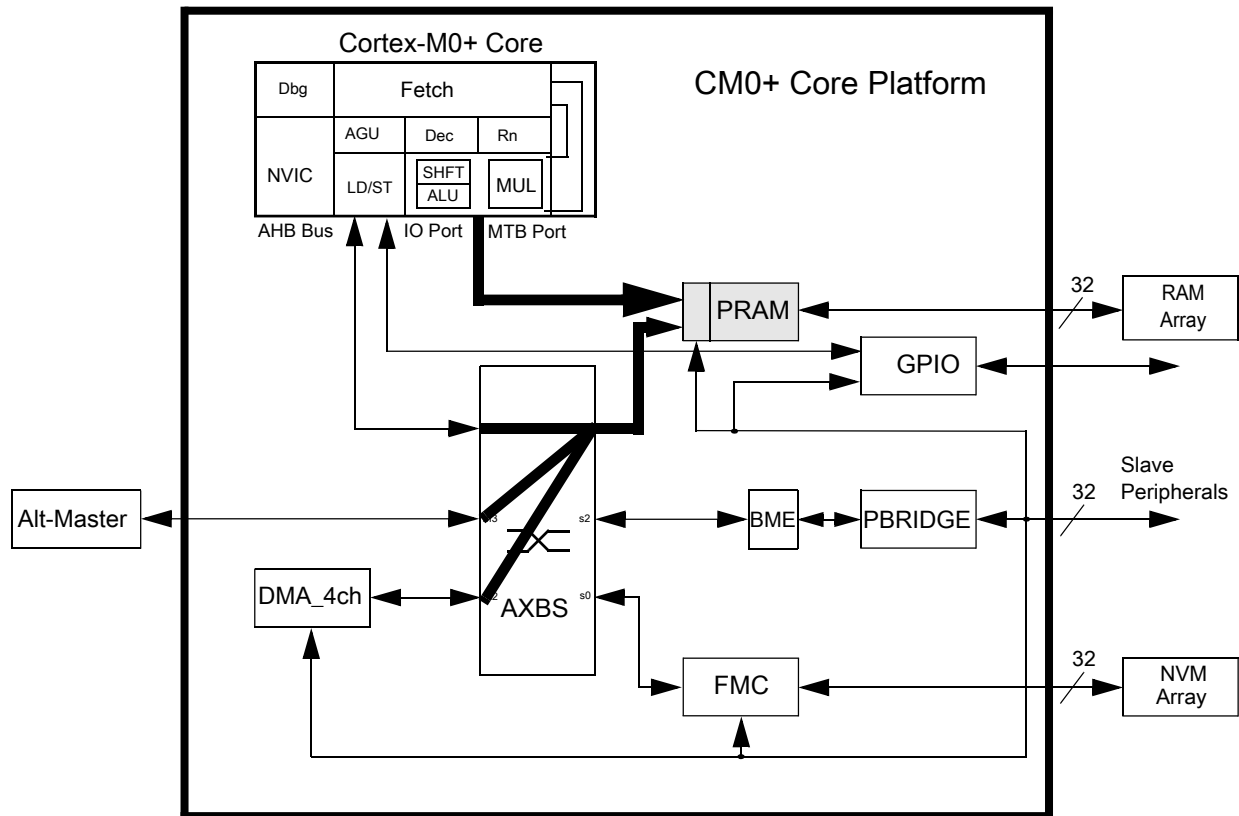


Figure 43-1. Generic Cortex-M0+ core platform block diagram

As shown in the block diagram, the platform RAM (PRAM) controller connects to two input buses:

- the crossbar slave port for system bus accesses
- a "private execution MTB port" from the core

The logical paths from the crossbar master input ports to the PRAM controller are highlighted along with the private execution trace port from the processor core. The private MTB port signals the instruction address information needed for the 64-bit program trace packets written into the system RAM. The PRAM controller output interfaces to the attached RAM array. In this document, the PRAM controller is the MTB_RAM controller.

The following information is taken from the Arm CoreSight Micro Trace Buffer documentation.

"The execution trace packet consists of a pair of 32-bit words that the MTB generates when it detects the processor PC value changes non-sequentially. A non-sequential PC change can occur during branch instructions or during exception entry.

The processor can cause a trace packet to be generated for any instruction.

The following figure shows how the execution trace information is stored in memory as a sequence of packets.

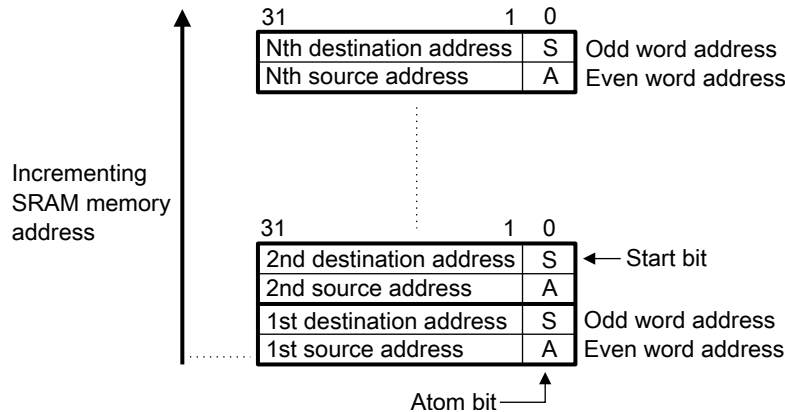


Figure 43-2. MTB execution trace storage format

The first, lower addressed, word contains the source of the branch, the address it branched from. The value stored only records bits[31:1] of the source address, because Thumb instructions are at least halfword aligned. The least significant bit of the value is the A-bit. The A-bit indicates the atomic state of the processor at the time of the branch, and can differentiate whether the branch originated from an instruction in a program, an exception, or a PC update in Debug state. When it is zero the branch originated from an instruction, when it is one the branch originated from an exception or PC update in Debug state. This word is always stored at an even word location.

The second, higher addressed word contains the destination of the branch, the address it branched to. The value stored only records bits[31:1] of the branch address. The least significant bit of the value is the S-bit. The S-bit indicates where the trace started. An S-bit value of 1 indicates where the first packet after the trace started and a value of 0 is used for other packets. Because it is possible to start and stop tracing multiple times in a trace session, the memory might contain several packets with the S-bit set to 1. This word is always stored in the next higher word in memory, an odd word address.

When the A-bit is set to 1, the source address field contains the architecturally-preferred return address for the exception. For example, if an exception was caused by an SVC instruction, then the source address field contains the address of the following instruction. This is different from the case where the A-bit is set to 0. In this case, the source address contains the address of the branch instruction.

For an exception return operation, two packets are generated:

- The first packet has the:
 - Source address field set to the address of the instruction that causes the exception return, BX or POP.

- Destination address field set to bits[31:1] of the EXC_RETURN value. See the Arm v6-M Architecture Reference Manual.
- The A-bit set to 0.
- The second packet has the:
 - Source address field set to bits[31:1] of the EXC_RETURN value.
 - Destination address field set to the address of the instruction where execution commences.
 - A-bit set to 1."

Given the recorded change-of-flow trace packets in system RAM and the memory image of the application, a debugger can read out the data and create an instruction-by-instruction program trace. In keeping with the low area and power implementation cost design targets, the MTB trace format is less efficient than other CoreSight trace modules, for example, the ETM (Embedded Trace Macrocell). Since each branch packet is 8 bytes in size, a 1 KB block of system RAM can contain 128 branches. Using the Dhrystone 2.1 benchmark's dynamic runtime as an example, this corresponds to about 875 instructions per KB of trace RAM, or with a zero wait state memory, this corresponds to approximately 1600 processor cycles per KB. This metric is obviously very sensitive to the runtime characteristics of the user code.

The MTB_DWT function (not shown in the core platform block diagram) monitors the processor address and data buses so that configurable watchpoints can be detected to trigger the appropriate response in the MTB recording.

43.1.2 Features

The key features of the MTB_RAM and MTB_DWT include:

- Memory controller for system RAM and Micro Trace Buffer for program trace packets
- Read/write capabilities for system RAM accesses, write-only for program trace packets
- Supports zero wait state response to system bus accesses when no trace data is being written
- Can buffer two AHB address phases and one data write for system RAM accesses
- Supports 64-bit program trace packets including source and destination instruction addresses
- Program trace information in RAM available to MCU's application code or external debugger
- Program trace watchpoint configuration accessible by MCU's application code or debugger
- Location and size of RAM trace buffer is configured by software

- Two DWT comparators (addresses or address + data) provide programmable start/stop recording
- CoreSight compliant debug functionality

43.1.3 Modes of operation

The MTB_RAM and MTB_DWT functions do not support any special modes of operation. The MTB_RAM controller, as a memory-mapped device located on the platform's slave AHB system bus, responds strictly on the basis of memory addresses for accesses to its attached RAM array. The MTB private execution bus provides program trace packet write information to the RAM controller. Both the MTB_RAM and MTB_DWT modules are memory-mapped, so their programming models can be accessed.

All functionality associated with the MTB_RAM and MTB_DWT modules resides in the core platform's clock domain; this includes its connections with the RAM array.

43.2 External signal description

The MTB_RAM and MTB_DWT modules do not directly support any external interfaces.

The internal interface includes a standard AHB bus with a 32-bit datapath width from the appropriate crossbar slave port plus the private execution trace bus from the processor core. The signals in the private execution trace bus are detailed in the following table taken from the Arm CoreSight Micro Trace Buffer documentation. The signal direction is defined as viewed by the MTB_RAM controller.

Table 43-1. Private execution trace port from the core to MTB_RAM

Signal	Direction	Description
LOCKUP	Input	Indicates the processor is in the Lockup state. This signal is driven LOW for cycles when the processor is executing normally and driven HIGH for every cycle the processor is waiting in the Lockup state. This signal is valid on every cycle.
IAESEQ	Input	Indicates the next instruction address in execute, IAEX, is sequential, that is non-branching.
IAEXEN	Input	IAEX register enable.
IAEX[30:0]	Input	Registered address of the instruction in the execution stage, shifted right by one bit, that is, PC >> 1.
ATOMIC	Input	Indicates the processor is performing non-instruction related activities.
EDBGRQ	Output	Request for the processor to enter the Debug state, if enabled, and halt.

In addition, there are two signals formed by the MTB_DWT module and driven to the MTB_RAM controller: TSTART (trace start) and TSTOP (trace stop). These signals can be configured using the trace watchpoints to define programmable addresses and data values to affect the program trace recording state.

43.3 Memory map and register definition

The MTB_RAM and MTB_DWT modules each support a sparsely-populated 4 KB address space for their programming models. For each address space, there are a variety of control and configurable registers near the base address, followed by a large unused address space and finally a set of CoreSight registers to support dynamic determination of the debug configuration for the device.

Accesses to the programming model follow standard Arm conventions. Taken from the Arm CoreSight Micro Trace Buffer documentation, these are:

- Do not attempt to access reserved or unused address locations. Attempting to access these locations can result in UNPREDICTABLE behavior.
- The behavior of the MTB is UNPREDICTABLE if the registers with UNKNOWN reset values are not programmed prior to enabling trace.
- Unless otherwise stated in the accompanying text:
 - Do not modify reserved register bits
 - Ignore reserved register bits on reads
 - All register bits are reset to a logic 0 by a system or power-on reset
 - Use only word size, 32-bit, transactions to access all registers

43.3.1 MTB_RAM Memory Map

MTB memory map

Absolute address (hex)	Register name	Width (in bits)	Access	Reset value	Section/page
F000_0000	MTB Position Register (MTB_POSITION)	32	R/W	Undefined	43.3.1.1/900
F000_0004	MTB Master Register (MTB_MASTER)	32	R/W	See section	43.3.1.2/901
F000_0008	MTB Flow Register (MTB_FLOW)	32	R/W	Undefined	43.3.1.3/903
F000_000C	MTB Base Register (MTB_BASE)	32	R	Undefined	43.3.1.4/905
F000_0F00	Integration Mode Control Register (MTB_MODECTRL)	32	R	0000_0000h	43.3.1.5/905

Table continues on the next page...

MTB memory map (continued)

Absolute address (hex)	Register name	Width (in bits)	Access	Reset value	Section/page
F000_0FA0	Claim TAG Set Register (MTB_TAGSET)	32	R	0000_0000h	43.3.1.6/906
F000_0FA4	Claim TAG Clear Register (MTB_TAGCLEAR)	32	R	0000_0000h	43.3.1.7/906
F000_0FB0	Lock Access Register (MTB_LOCKACCESS)	32	R	0000_0000h	43.3.1.8/907
F000_0FB4	Lock Status Register (MTB_LOCKSTAT)	32	R	0000_0000h	43.3.1.9/907
F000_0FB8	Authentication Status Register (MTB_AUTHSTAT)	32	R	0000_0000h	43.3.1.10/907
F000_0FBC	Device Architecture Register (MTB_DEVICEARCH)	32	R	4770_0A31h	43.3.1.11/908
F000_0FC8	Device Configuration Register (MTB_DEVICECFG)	32	R	0000_0000h	43.3.1.12/909
F000_0FCC	Device Type Identifier Register (MTB_DEVICETYPEID)	32	R	0000_0031h	43.3.1.13/909
F000_0FD0	Peripheral ID Register (MTB_PERIPHID4)	32	R	See section	43.3.1.14/910
F000_0FD4	Peripheral ID Register (MTB_PERIPHID5)	32	R	See section	43.3.1.14/910
F000_0FD8	Peripheral ID Register (MTB_PERIPHID6)	32	R	See section	43.3.1.14/910
F000_0FDC	Peripheral ID Register (MTB_PERIPHID7)	32	R	See section	43.3.1.14/910
F000_0FE0	Peripheral ID Register (MTB_PERIPHID0)	32	R	See section	43.3.1.14/910
F000_0FE4	Peripheral ID Register (MTB_PERIPHID1)	32	R	See section	43.3.1.14/910
F000_0FE8	Peripheral ID Register (MTB_PERIPHID2)	32	R	See section	43.3.1.14/910
F000_0FEC	Peripheral ID Register (MTB_PERIPHID3)	32	R	See section	43.3.1.14/910
F000_0FF0	Component ID Register (MTB_COMPID0)	32	R	See section	43.3.1.15/910
F000_0FF4	Component ID Register (MTB_COMPID1)	32	R	See section	43.3.1.15/910
F000_0FF8	Component ID Register (MTB_COMPID2)	32	R	See section	43.3.1.15/910
F000_0FFC	Component ID Register (MTB_COMPID3)	32	R	See section	43.3.1.15/910

43.3.1.1 MTB Position Register (MTB_POSITION)

The MTB_POSITION register contains the Trace Write Address Pointer and Wrap fields. This register can be modified by the explicit programming model writes. It is also automatically updated by the MTB hardware when trace packets are being recorded.

The base address of the system RAM in the memory map dictates special consideration for the placement of the MTB. Consider the following guidelines:

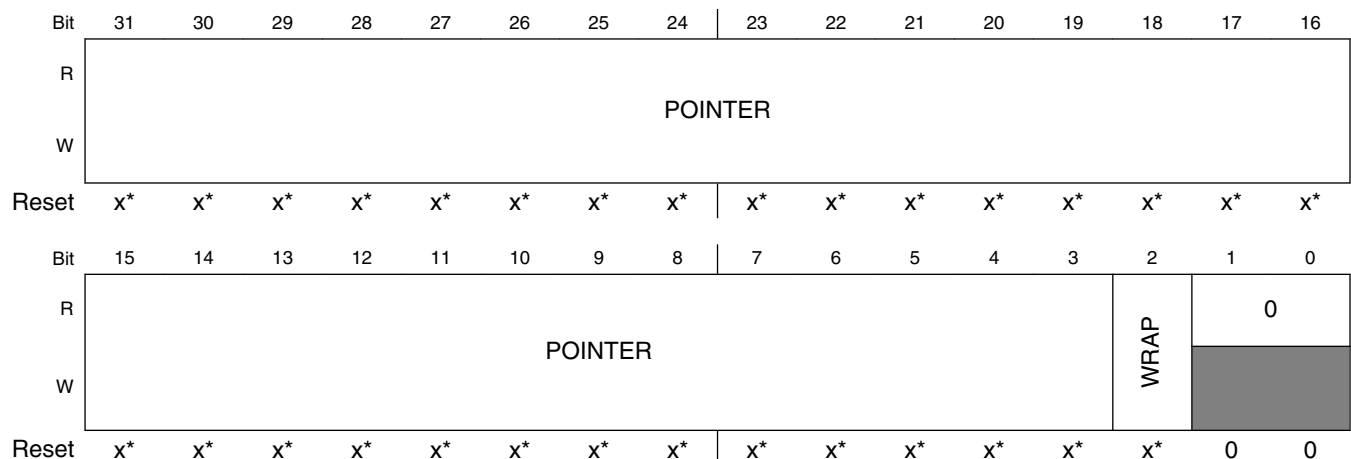
For the standard configuration where the size of the MTB is $\leq 25\%$ of the total RAM capacity, it is recommended the MTB be based at the address defined by the MTB_BASE register. The read-only MTB_BASE register is defined by the expression $(0x2000_0000 - (RAM_Size/4))$. For this configuration, the MTB_POSITION register is initialized to $MTB_BASE \& 0x0000_7FF8$.

If the size of the MTB is more than 25% but less than or equal to 50% of the total RAM capacity, it is recommended the MTB be based at address 0x2000_0000. In this configuration, the MTB_POSITION register is initialized to $(0x2000_0000 \& 0x0000_7FF8) = 0x0000_00000$.

Following these two suggested placements provides a full-featured circular memory buffer containing program trace packets.

In the unlikely event an even larger trace buffer is required, a write-once capacity of 75% of the total RAM capacity can be based at address 0x2000_0000. The MTB_POSITION register is initialized to $(0x2000_0000 \& 0x0000_7FF8) = 0x0000_0000$. However, this configuration cannot support operation as a circular queue and instead requires the use of the MTB_FLOW[WATERMARK] capability to automatically disable tracing or halting the processor as the number of packet writes approach the buffer capacity. See the MTB_FLOW register description for more details.

Address: F000_0000h base + 0h offset = F000_0000h



* Notes:

- x = Undefined at reset.

MTB_POSITION field descriptions

Field	Description
31–3 POINTER	<p>Trace Packet Address Pointer[28:0]</p> <p>Because a packet consists of two words, the POINTER field is the address of the first word of a packet. This field contains bits[31:3] of the RAM address where the next trace packet is written. Therefore, it points to an unused location and is automatically incremented.</p> <p>A debug agent can calculate the system memory map address for the current location in the MTB using the following "generic" equation:</p> <p>Given $mtb_size = 1 \ll (MTB_MASTER[MASK] + 4)$,</p> <p>$systemAddress = MTB_BASE + (((MTB_POSITION \& 0xFFFF_FFF8) + (mtb_size - (MTB_BASE \& (mtb_size-1)))) \& 0x0000_7FF8)$;</p> <p>For this device, a simpler expression also applies. See the following pseudo-code:</p> <p>if $((MTB_POSITION \gg 13) == 0x3)$ $systemAddress = (0x1FFF \ll 16) + (0x1 \ll 15) + (MTB_POSITION \& 0x7FF8)$; else $systemAddress = (0x2000 \ll 16) + (0x0 \ll 15) + (MTB_POSITION \& 0x7FF8)$;</p> <p>NOTE: The size of the RAM is parameterized and the most significant bits of the POINTER field are RAZ/WI.</p> <p>For these devices, $POSITION[31:15] == POSITION[POINTER[28:12]]$ are RAZ/WI. Therefore, the active bits in this field are $POSITION[14:3] == POSITION[POINTER[11:0]]$.</p>
2 WRAP	<p>WRAP</p> <p>This field is set to 1 automatically when the POINTER value wraps as determined by the MTB_MASTER[MASK] field in the MASTER Trace Control Register. A debug agent might use the WRAP field to determine whether the trace information above and below the pointer address is valid.</p>
Reserved	<p>This field is reserved.</p> <p>This read-only field is reserved and always has the value 0.</p>

43.3.1.2 MTB Master Register (MTB_MASTER)

The MTB_MASTER register contains the main program trace enable plus other trace controls. This register can be modified by the explicit programming model writes. MTB_MASTER[EN] and MTB_MASTER[HALTREQ] fields are also automatically updated by the MTB hardware.

Before MTB_MASTER[EN] or MTB_MASTER[TSTARTEN] are set to 1, the software must initialize the MTB_POSITION and MTB_FLOW registers.

If MTB_FLOW[WATERMARK] is used to stop tracing or to halt the processor, MTB_MASTER[MASK] must still be set to a value that prevents MTB_POSITION[POINTER] from wrapping before it reaches the MTB_FLOW[WATERMARK] value.

NOTE

The format of this mask field is different than MTBDWT_MASKn[MASK].

Address: F000_0000h base + 4h offset = F000_0004h

Bit	31	30	29	28	27	26	25	24	23	22	21	20	19	18	17	16
R	0															
W	[Shaded]															
Reset	0	0	0	0	0	0	0	0	0	0	0	0	0	0	0	0
Bit	15	14	13	12	11	10	9	8	7	6	5	4	3	2	1	0
R	0						HALTREQ	RAMPRIV	SFRWPRIV	TSTOPEN	TSTARTEN	MASK				
W	[Shaded]						HALTREQ	RAMPRIV	SFRWPRIV	TSTOPEN	TSTARTEN	MASK				
Reset	0	0	0	0	0	0	0	0	1	0	0	x*	x*	x*	x*	x*

- * Notes:
- x = Undefined at reset.

MTB_MASTER field descriptions

Field	Description
31 EN	<p>Main Trace Enable</p> <p>When this field is 1, trace data is written into the RAM memory location addressed by MTB_POSITION[POINTER]. The MTB_POSITION[POINTER] value auto increments after the trace data packet is written.</p> <p>EN can be automatically set to 0 using the MTB_FLOW[WATERMARK] field and the MTB_FLOW[AUTOSTOP] bit.</p> <p>EN is automatically set to 1 if TSTARTEN is 1 and the TSTART signal is HIGH.</p> <p>EN is automatically set to 0 if TSTOPEN is 1 and the TSTOP signal is HIGH.</p> <p>NOTE: If EN is set to 0 because MTB_FLOW[WATERMARK] is set, then it is not automatically set to 1 if TSTARTEN is 1 and the TSTART input is HIGH. In this case, tracing can only be restarted if MTB_FLOW[WATERMARK] or MTB_POSITION[POINTER] value is changed by software.</p>
30–10 Reserved	<p>This field is reserved.</p> <p>This read-only field is reserved and always has the value 0.</p>
9 HALTREQ	<p>Halt Request</p> <p>This field is connected to the halt request signal of the trace logic, EDBGREQ. When HALTREQ is set to 1, the EDBFGRQ is asserted if DBGEN (invasive debug enable, one of the debug authentication interface signals) is also HIGH. HALTREQ can be automatically set to 1 using MTB_FLOW[WATERMARK].</p>
8 RAMPRIV	<p>RAM Privilege</p> <p>If this field is 0, then user or privileged AHB read and write accesses to the RAM are permitted. If this field is 1, then only privileged AHB read and write accesses to the RAM are permitted and user accesses are RAZ/WI. The HPROT[1] signal determines if an access is a user or privileged mode reference.</p>

Table continues on the next page...

MTB_MASTER field descriptions (continued)

Field	Description
7 SFRWPRIV	<p>Special Function Register Write Privilege</p> <p>If this field is 0, then user or privileged AHB read and write accesses to the MTB_RAM Special Function Registers (programming model) are permitted. If this field is 1, then only privileged write accesses are permitted; user write accesses are ignored. The HPROT[1] signal determines if an access is user or privileged. Note MTB_RAM SFR read access are not controlled by this bit and are always permitted.</p>
6 TSTOPEN	<p>Trace Stop Input Enable</p> <p>If this field is 1 and the TSTOP signal is HIGH, then EN is set to 0. If a trace packet is being written to memory, the write is completed before tracing is stopped.</p>
5 TSTARTEN	<p>Trace Start Input Enable</p> <p>If this field is 1 and the TSTART signal is HIGH, then EN is set to 1. Tracing continues until a stop condition occurs.</p>
MASK	<p>Mask</p> <p>This value determines the maximum size of the trace buffer in RAM. It specifies the most-significant bit of the MTB_POSITION[POINTER] field that can be updated by automatic increment. If the trace tries to advance past this power of 2, the MTB_POSITION[WRAP] bit is set to 1, the MTB_POSITION[MASK+3:3] == MTB_POSITION[POINTER[MASK:0]] bits are set to 0, and the MTB_POSITION[14:MASK+3] == MTB_POSITION[POINTER[11:MASK+1]] bits remain unchanged.</p> <p>This field causes the trace packet information to be stored in a circular buffer of size $2^{[MASK+4]}$ bytes, that can be positioned in memory at multiples of this size. As detailed in the MTB_POSITION description, typical "upper limits" for the MTB size are RAM_Size/4 or RAM_Size/2. Values greater than the maximum have the same effect as the maximum.</p>

43.3.1.3 MTB Flow Register (MTB_FLOW)

The MTB_FLOW register contains the watermark address and the autostop/autohalt control bits.

If tracing is stopped using the watermark autostop feature, it cannot be restarted until software clears the watermark autostop. This can be achieved in one of the following ways:

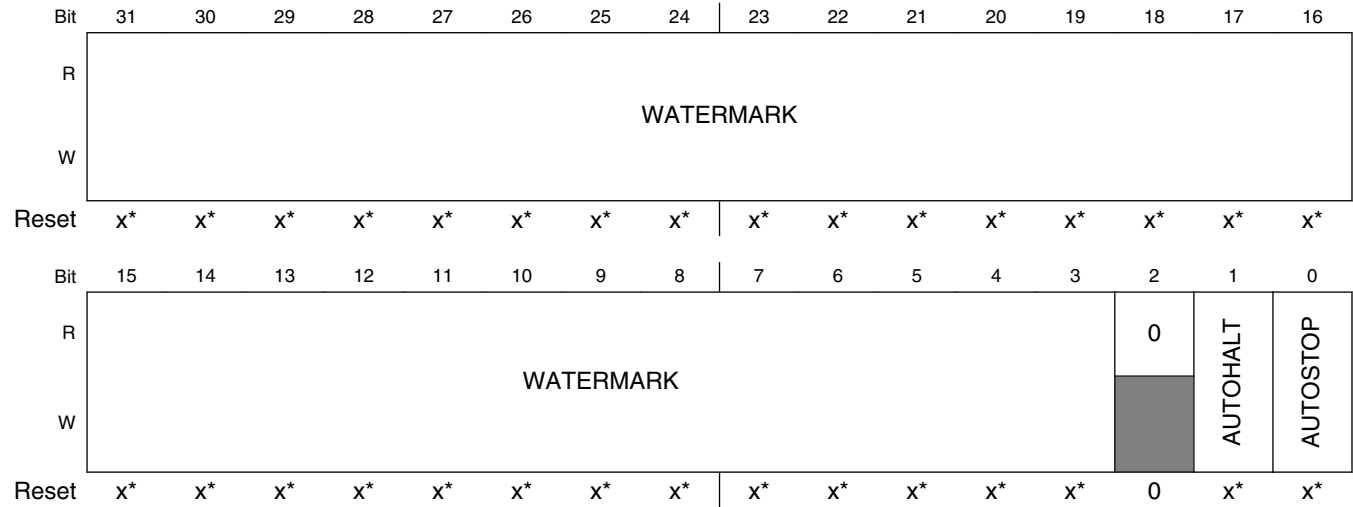
- Changing the MTB_POSITION[POINTER] field value to point to the beginning of the trace buffer, or
- Setting MTB_FLOW[AUTOSTOP] = 0.

A debug agent can use MTB_FLOW[AUTOSTOP] to fill the trace buffer once only without halting the processor.

A debug agent can use MTB_FLOW[AUTOHALT] to fill the trace buffer once before causing the Cortex-M0+ processor to enter the Debug state. To enter Debug state, the Cortex-M0+ processor might have to perform additional branch type operations. Therefore, the MTB_FLOW[WATERMARK] field must be set below the final entry in the trace buffer region.

Memory map and register definition

Address: F000_0000h base + 8h offset = F000_0008h



* Notes:

- x = Undefined at reset.

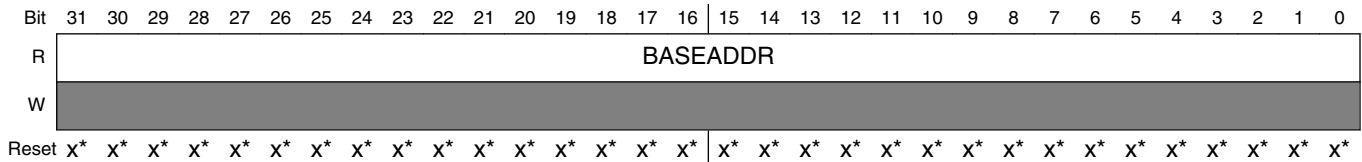
MTB_FLOW field descriptions

Field	Description
31–3 WATERMARK	<p>WATERMARK[28:0]</p> <p>This field contains an address in the same format as the MTB_POSITION[POINTER] field. When MTB_POSITION[POINTER] matches the WATERMARK field value, actions defined by the AUTOHALT and AUTOSTOP bits are performed.</p>
2 Reserved	<p>This field is reserved.</p> <p>This read-only field is reserved and always has the value 0.</p>
1 AUTOHALT	<p>AUTOHALT</p> <p>If this field is 1 and WATERMARK is equal to MTB_POSITION[POINTER], then MTB_MASTER[HALTREQ] is automatically set to 1. If the DBGGEN signal is HIGH, the MTB asserts this halt request to the Cortex-M0+ processor by asserting the EDBGREQ signal.</p>
0 AUTOSTOP	<p>AUTOSTOP</p> <p>If this field is 1 and WATERMARK is equal to MTB_POSITION[POINTER], then MTB_MASTER[EN] is automatically set to 0. This stops tracing.</p>

43.3.1.4 MTB Base Register (MTB_BASE)

The read-only MTB_BASE Register indicates where the RAM is located in the system memory map. This register is provided to enable auto discovery of the MTB RAM location, by a debug agent and is defined by a hardware design parameter. For this device, the base address is defined by the expression: $MTB_BASE[BASEADDR] = 0x2000_0000 - (RAM_Size/4)$

Address: $F000_0000h$ base + Ch offset = $F000_000Ch$



* Notes:

- x = Undefined at reset.

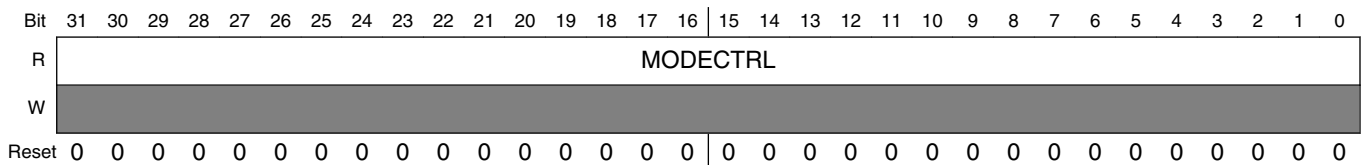
MTB_BASE field descriptions

Field	Description
BASEADDR	BASEADDR This value is defined with a hardwired signal and the expression: $0x2000_0000 - (RAM_Size/4)$. For example, if the total RAM capacity is 16 KB, this field is $0x1FFF_F000$.

43.3.1.5 Integration Mode Control Register (MTB_MODECTRL)

This register enables the device to switch from a functional mode, or default behavior, into integration mode. It is hardwired to specific values used during the auto-discovery process by an external debug agent.

Address: $F000_0000h$ base + $F00h$ offset = $F000_0F00h$



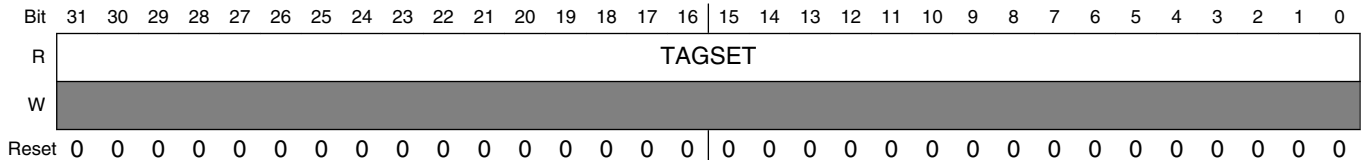
MTB_MODECTRL field descriptions

Field	Description
MODECTRL	MODECTRL Hardwired to $0x0000_0000$

43.3.1.6 Claim TAG Set Register (MTB_TAGSET)

The Claim Tag Set Register returns the number of bits that can be set on a read, and enables individual bits to be set on a write. It is hardwired to specific values used during the auto-discovery process by an external debug agent.

Address: F000_0000h base + FA0h offset = F000_0FA0h



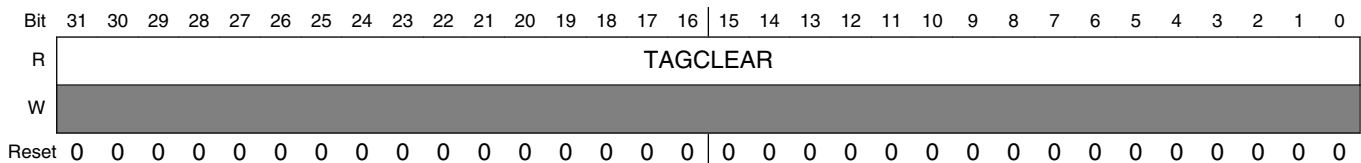
MTB_TAGSET field descriptions

Field	Description
TAGSET	TAGSET Hardwired to 0x0000_0000

43.3.1.7 Claim TAG Clear Register (MTB_TAGCLEAR)

The read/write Claim Tag Clear Register is used to read the claim status on debug resources. A read indicates the claim tag status. Writing 1 to a specific bit clears the corresponding claim tag to 0. It is hardwired to specific values used during the auto-discovery process by an external debug agent.

Address: F000_0000h base + FA4h offset = F000_0FA4h



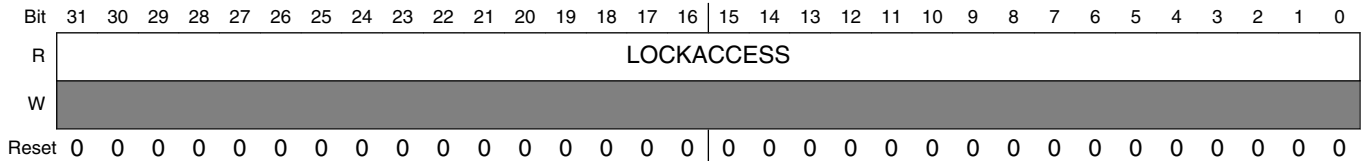
MTB_TAGCLEAR field descriptions

Field	Description
TAGCLEAR	TAGCLEAR Hardwired to 0x0000_0000

43.3.1.8 Lock Access Register (MTB_LOCKACCESS)

The Lock Access Register enables a write access to component registers. It is hardwired to specific values used during the auto-discovery process by an external debug agent.

Address: F000_0000h base + FB0h offset = F000_0FB0h



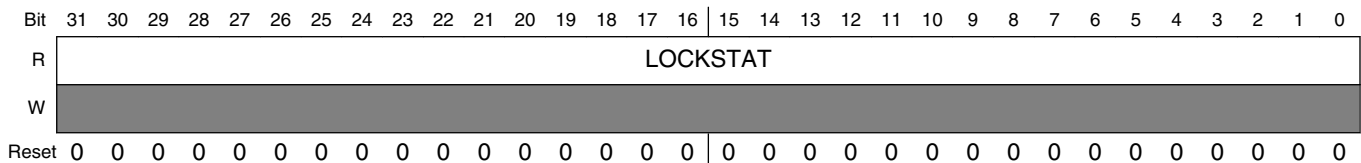
MTB_LOCKACCESS field descriptions

Field	Description
LOCKACCESS	Hardwired to 0x0000_0000

43.3.1.9 Lock Status Register (MTB_LOCKSTAT)

The Lock Status Register indicates the status of the lock control mechanism. This register is used in conjunction with the Lock Access Register. It is hardwired to specific values used during the auto-discovery process by an external debug agent.

Address: F000_0000h base + FB4h offset = F000_0FB4h



MTB_LOCKSTAT field descriptions

Field	Description
LOCKSTAT	LOCKSTAT Hardwired to 0x0000_0000

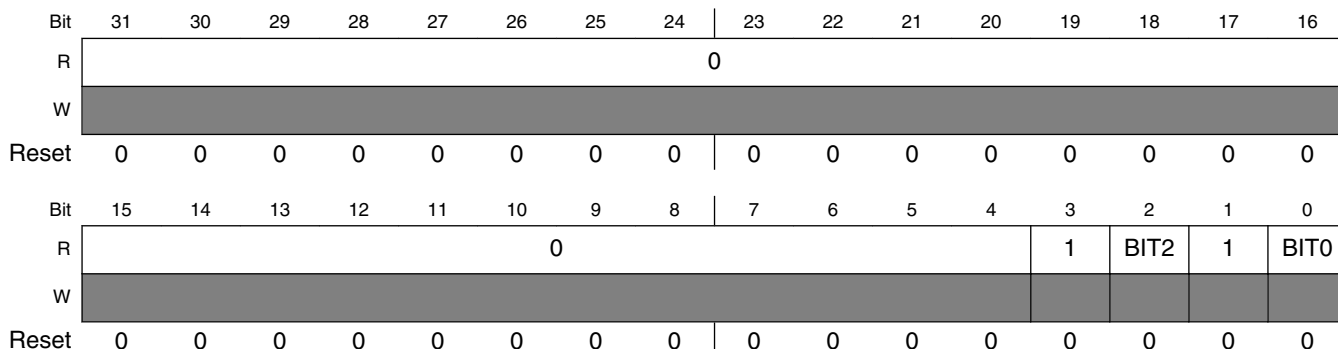
43.3.1.10 Authentication Status Register (MTB_AUTHSTAT)

The Authentication Status Register reports the required security level and current status of the security enable bit pairs. Where functionality changes on a given security level, this change must be reported in this register. It is connected to specific signals used during the auto-discovery process by an external debug agent.

Memory map and register definition

MTB_AUTHSTAT[3:2] indicates if nonsecure, noninvasive debug is enabled or disabled, while MTB_AUTHSTAT[1:0] indicates the enabled/disabled state of nonsecure, invasive debug. For both 2-bit fields, 0b10 indicates the functionality is disabled and 0b11 indicates it is enabled.

Address: F000_0000h base + FB8h offset = F000_0FB8h



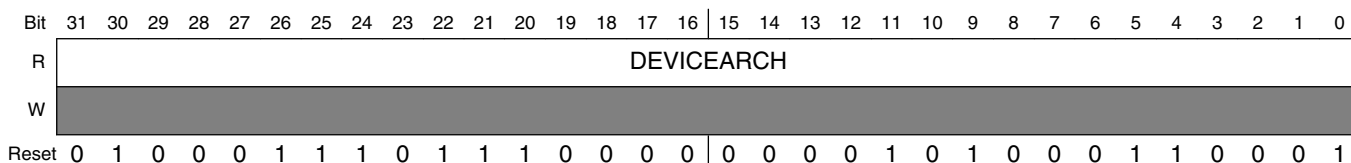
MTB_AUTHSTAT field descriptions

Field	Description
31–4 Reserved	This field is reserved. This read-only field is reserved and always has the value 0.
3 Reserved	This field is reserved. This read-only field is reserved and always has the value 1.
2 BIT2	BIT2 Connected to NIDEN or DBGGEN signal.
1 Reserved	This field is reserved. This read-only field is reserved and always has the value 1.
0 BIT0	Connected to DBGGEN.

43.3.1.11 Device Architecture Register (MTB_DEVICEARCH)

This register indicates the device architecture. It is hardwired to specific values used during the auto-discovery process by an external debug agent.

Address: F000_0000h base + FBCh offset = F000_0FBCh



MTB_DEVICEARCH field descriptions

Field	Description
DEVICEARCH	DEVICEARCH Hardwired to 0x4770_0A31.

43.3.1.12 Device Configuration Register (MTB_DEVICECFG)

This register indicates the device configuration. It is hardwired to specific values used during the auto-discovery process by an external debug agent.

Address: F000_0000h base + FC8h offset = F000_0FC8h

Bit	31	30	29	28	27	26	25	24	23	22	21	20	19	18	17	16	15	14	13	12	11	10	9	8	7	6	5	4	3	2	1	0		
R	DEVICECFG																																	
W																																		
Reset	0	0	0	0	0	0	0	0	0	0	0	0	0	0	0	0	0	0	0	0	0	0	0	0	0	0	0	0	0	0	0	0	0	0

MTB_DEVICECFG field descriptions

Field	Description
DEVICECFG	DEVICECFG Hardwired to 0x0000_0000.

43.3.1.13 Device Type Identifier Register (MTB_DEVICETYPID)

This register indicates the device type ID. It is hardwired to specific values used during the auto-discovery process by an external debug agent.

Address: F000_0000h base + FCCh offset = F000_0FCCh

Bit	31	30	29	28	27	26	25	24	23	22	21	20	19	18	17	16	15	14	13	12	11	10	9	8	7	6	5	4	3	2	1	0	
R	DEVICETYPID																																
W																																	
Reset	0	0	0	0	0	0	0	0	0	0	0	0	0	0	0	0	0	0	0	0	0	0	0	0	0	0	0	1	1	0	0	0	1

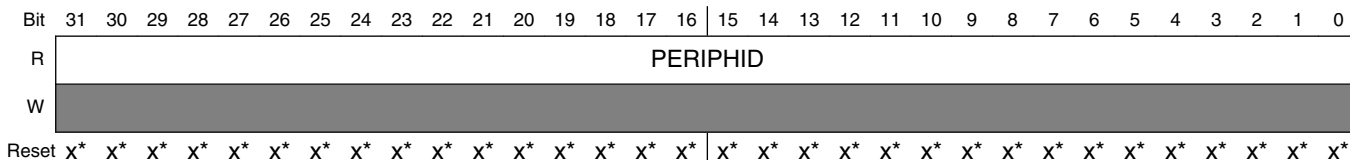
MTB_DEVICETYPID field descriptions

Field	Description
DEVICETYPID	DEVICETYPID Hardwired to 0x0000_0031.

43.3.1.14 Peripheral ID Register (MTB_PERIPHIDn)

These registers indicate the peripheral IDs. They are hardwired to specific values used during the auto-discovery process by an external debug agent.

Address: F000_0000h base + FD0h offset + (4d × i), where i=0d to 7d



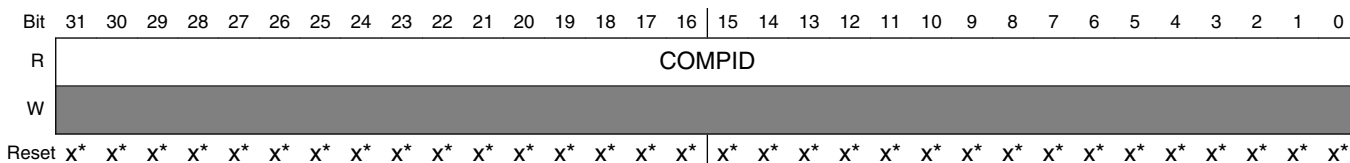
MTB_PERIPHIDn field descriptions

Field	Description
PERIPHID	PERIPHID Peripheral ID4 is hardwired to 0x0000_0004; ID0 to 0x0000_0032; ID1 to 0x0000_00B9; ID2 to 0x0000_001B; and all the others to 0x0000_0000.

43.3.1.15 Component ID Register (MTB_COMPIDn)

These registers indicate the component IDs. They are hardwired to specific values used during the auto-discovery process by an external debug agent.

Address: F000_0000h base + FF0h offset + (4d × i), where i=0d to 3d



MTB_COMPIDn field descriptions

Field	Description
COMPID	Component ID Component ID0 is hardwired to 0x0000_000D; ID1 to 0x0000_0090; ID2 to 0x0000_0005; ID3 to 0x0000_00B1.

43.3.2 MTB_DWT Memory Map

The MTB_DWT programming model supports a very simplified subset of the v7M debug architecture and follows the standard Arm DWT definition.

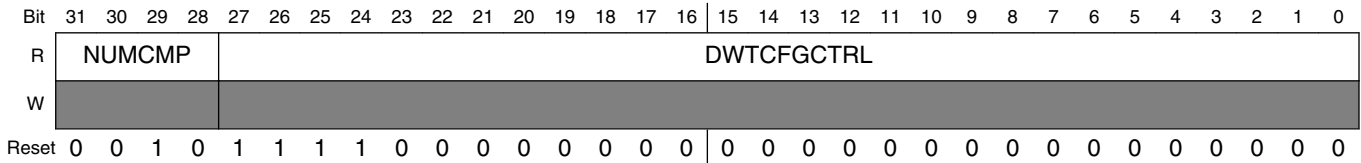
MTBDWT memory map

Absolute address (hex)	Register name	Width (in bits)	Access	Reset value	Section/page
F000_1000	MTB DWT Control Register (MTBDWT_CTRL)	32	R	2F00_0000h	43.3.2.1/ 912
F000_1020	MTB_DWT Comparator Register (MTBDWT_COMP0)	32	R/W	0000_0000h	43.3.2.2/ 913
F000_1024	MTB_DWT Comparator Mask Register (MTBDWT_MASK0)	32	R/W	0000_0000h	43.3.2.3/ 913
F000_1028	MTB_DWT Comparator Function Register 0 (MTBDWT_FCT0)	32	R/W	0000_0000h	43.3.2.4/ 914
F000_1030	MTB_DWT Comparator Register (MTBDWT_COMP1)	32	R/W	0000_0000h	43.3.2.2/ 913
F000_1034	MTB_DWT Comparator Mask Register (MTBDWT_MASK1)	32	R/W	0000_0000h	43.3.2.3/ 913
F000_1038	MTB_DWT Comparator Function Register 1 (MTBDWT_FCT1)	32	R/W	0000_0000h	43.3.2.5/ 916
F000_1200	MTB_DWT Trace Buffer Control Register (MTBDWT_TBCTRL)	32	R/W	2000_0000h	43.3.2.6/ 917
F000_1FC8	Device Configuration Register (MTBDWT_DEVICECFG)	32	R	0000_0000h	43.3.2.7/ 919
F000_1FCC	Device Type Identifier Register (MTBDWT_DEVICETYPEID)	32	R	0000_0004h	43.3.2.8/ 919
F000_1FD0	Peripheral ID Register (MTBDWT_PERIPHID4)	32	R	See section	43.3.2.9/ 920
F000_1FD4	Peripheral ID Register (MTBDWT_PERIPHID5)	32	R	See section	43.3.2.9/ 920
F000_1FD8	Peripheral ID Register (MTBDWT_PERIPHID6)	32	R	See section	43.3.2.9/ 920
F000_1FDC	Peripheral ID Register (MTBDWT_PERIPHID7)	32	R	See section	43.3.2.9/ 920
F000_1FE0	Peripheral ID Register (MTBDWT_PERIPHID0)	32	R	See section	43.3.2.9/ 920
F000_1FE4	Peripheral ID Register (MTBDWT_PERIPHID1)	32	R	See section	43.3.2.9/ 920
F000_1FE8	Peripheral ID Register (MTBDWT_PERIPHID2)	32	R	See section	43.3.2.9/ 920
F000_1FEC	Peripheral ID Register (MTBDWT_PERIPHID3)	32	R	See section	43.3.2.9/ 920
F000_1FF0	Component ID Register (MTBDWT_COMPID0)	32	R	See section	43.3.2.10/ 920
F000_1FF4	Component ID Register (MTBDWT_COMPID1)	32	R	See section	43.3.2.10/ 920
F000_1FF8	Component ID Register (MTBDWT_COMPID2)	32	R	See section	43.3.2.10/ 920
F000_1FFC	Component ID Register (MTBDWT_COMPID3)	32	R	See section	43.3.2.10/ 920

43.3.2.1 MTB DWT Control Register (MTBDWT_CTRL)

The MTBDWT_CTRL register provides read-only information on the watchpoint configuration for the MTB_DWT.

Address: F000_1000h base + 0h offset = F000_1000h



MTBDWT_CTRL field descriptions

Field	Description
31–28 NUMCMP	Number of comparators The MTB_DWT implements two comparators.
DWTCFGCTRL	DWT configuration controls This field is hardwired to 0xF00_0000, disabling all the remaining DWT functionality. The specific fields and their state are: MTBDWT_CTRL[27] = NOTRCPKT = 1, trace sample and exception trace is not supported MTBDWT_CTRL[26] = NOEXTTRIG = 1, external match signals are not supported MTBDWT_CTRL[25] = NOCYCCNT = 1, cycle counter is not supported MTBDWT_CTRL[24] = NOPRFCNT = 1, profiling counters are not supported MTBDWT_CTRL[22] = CYCEBTENA = 0, no POSTCNT underflow packets generated MTBDWT_CTRL[21] = FOLDEVTENA = 0, no folded instruction counter overflow events MTBDWT_CTRL[20] = LSUEVTENA = 0, no LSU counter overflow events MTBDWT_CTRL[19] = SLEEPEVTENA = 0, no sleep counter overflow events MTBDWT_CTRL[18] = EXCEVTENA = 0, no exception overhead counter events MTBDWT_CTRL[17] = CPIPEVTENA = 0, no CPI counter overflow events MTBDWT_CTRL[16] = EXCTRCENA = 0, generation of exception trace disabled MTBDWT_CTRL[12] = PCSAMPLENA = 0, no periodic PC sample packets generated MTBDWT_CTRL[11:10] = SYNCTAP = 0, no synchronization packets MTBDWT_CTRL[9] = CYCTAP = 0, cycle counter is not supported MTBDWT_CTRL[8:5] = POSTINIT = 0, cycle counter is not supported MTBDWT_CTRL[4:1] = POSTPRESET = 0, cycle counter is not supported MTBDWT_CTRL[0] = CYCCNTENA = 0, cycle counter is not supported

43.3.2.2 MTB_DWT Comparator Register (MTBDWT_COMPn)

The MTBDWT_COMPn registers provide the reference value for comparator n.

Address: F000_1000h base + 20h offset + (16d × i), where i=0d to 1d

Bit	31	30	29	28	27	26	25	24	23	22	21	20	19	18	17	16	15	14	13	12	11	10	9	8	7	6	5	4	3	2	1	0
R																	COMP															
W																																
Reset	0	0	0	0	0	0	0	0	0	0	0	0	0	0	0	0	0	0	0	0	0	0	0	0	0	0	0	0	0	0	0	0

MTBDWT_COMPn field descriptions

Field	Description
COMP	Reference value for comparison If MTBDWT_COMP0 is used for a data value comparator and the access size is byte or halfword, the data value must be replicated across all appropriate byte lanes of this register. For example, if the data is a byte-sized "x" value, then COMP[31:24] = COMP[23:16] = COMP[15:8] = COMP[7:0] = "x". Likewise, if the data is a halfword-size "y" value, then COMP[31:16] = COMP[15:0] = "y".

43.3.2.3 MTB_DWT Comparator Mask Register (MTBDWT_MASKn)

The MTBDWT_MASKn registers define the size of the ignore mask applied to the reference address for address range matching by comparator n. Note the format of this mask field is different than the MTB_MASTER[MASK].

Address: F000_1000h base + 24h offset + (16d × i), where i=0d to 1d

Bit	31	30	29	28	27	26	25	24	23	22	21	20	19	18	17	16	15	14	13	12	11	10	9	8	7	6	5	4	3	2	1	0
R	0																MASK															
W																																
Reset	0	0	0	0	0	0	0	0	0	0	0	0	0	0	0	0	0	0	0	0	0	0	0	0	0	0	0	0	0	0	0	0

MTBDWT_MASKn field descriptions

Field	Description
31–5 Reserved	This field is reserved. This read-only field is reserved and always has the value 0.
MASK	MASK The value of the ignore mask, 0-31 bits, is applied to address range matching. MASK = 0 is used to include all bits of the address in the comparison, except if MASK = 0 and the comparator is configured to watch instruction fetch addresses, address bit [0] is ignored by the hardware since all fetches must be at least halfword aligned. For MASK != 0 and regardless of watch type, address bits [x-1:0] are ignored in the address comparison. Using a mask means the comparator matches on a range of addresses, defined by the unmasked most significant bits of the address, bits [31:x]. The maximum MASK value is 24, producing a 16 Mbyte mask. An attempted write of a MASK value > 24 is limited by the MTBDWT hardware to 24.

Table continues on the next page...

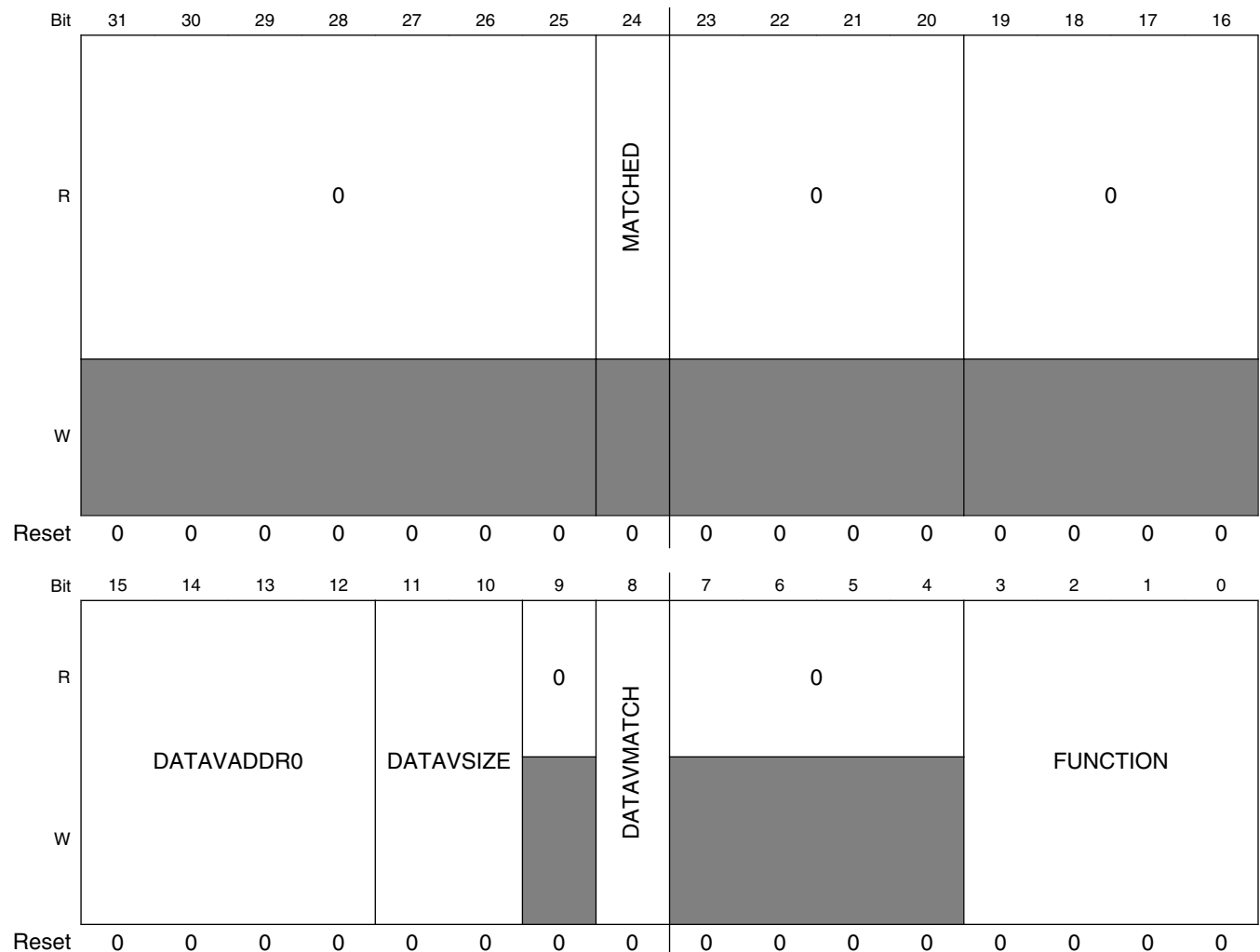
MTBDWT_MASKn field descriptions (continued)

Field	Description
	If MTBDWT_COMP0 is used as a data value comparator, then MTBDWT_MASK0 should be programmed to zero.

43.3.2.4 MTB_DWT Comparator Function Register 0 (MTBDWT_FCT0)

The MTBDWT_FCTn registers control the operation of comparator n.

Address: F000_1000h base + 28h offset = F000_1028h



MTBDWT_FCT0 field descriptions

Field	Description
31–25 Reserved	This field is reserved. This read-only field is reserved and always has the value 0.

Table continues on the next page...

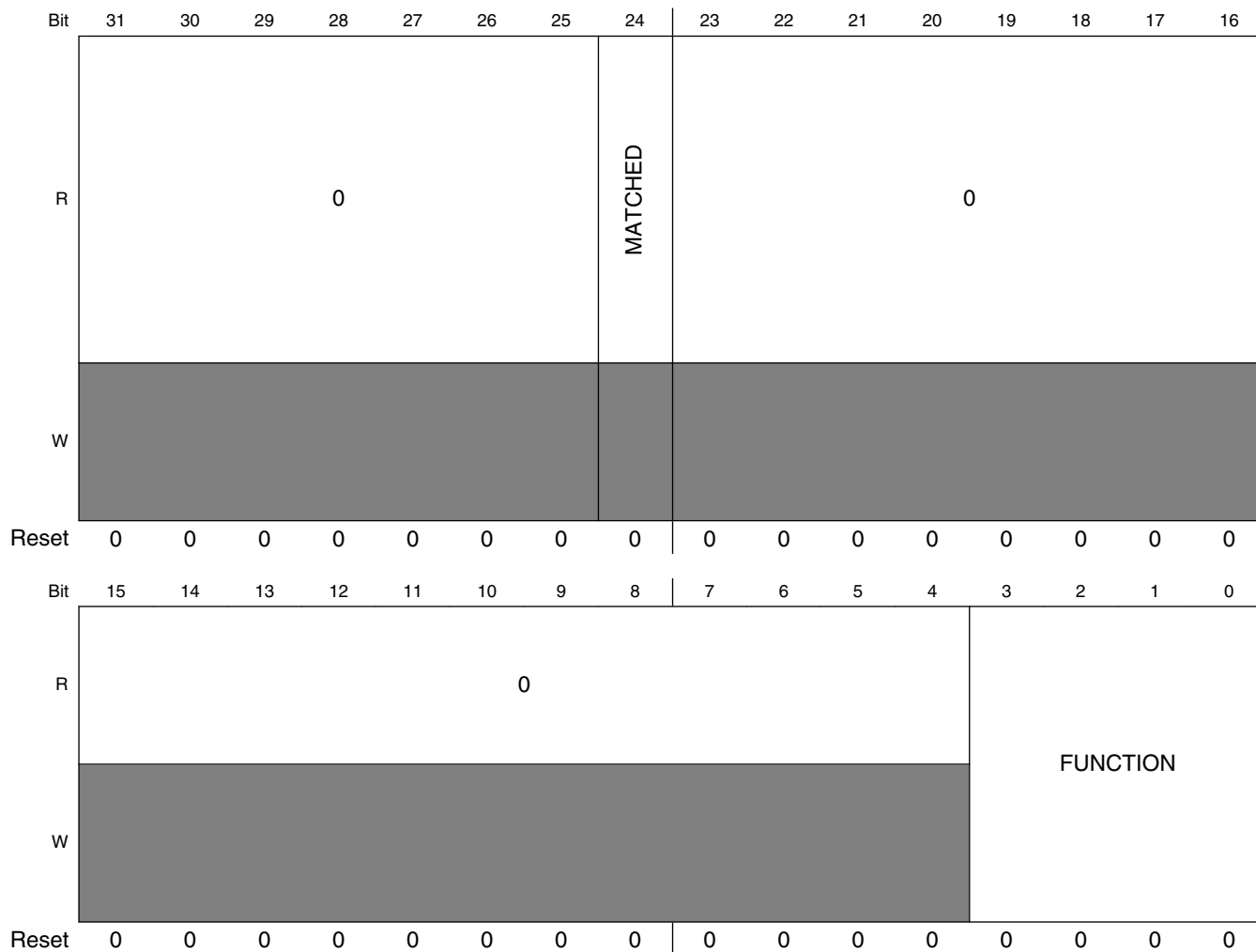
MTBDWT_FCT0 field descriptions (continued)

Field	Description
24 MATCHED	<p>Comparator match</p> <p>If this read-only flag is asserted, it indicates the operation defined by the FUNCTION field occurred since the last read of the register. Reading the register clears this bit.</p> <p>0 No match. 1 Match occurred.</p>
23–20 Reserved	<p>This field is reserved. This read-only field is reserved and always has the value 0.</p>
19–16 Reserved	<p>This field is reserved. This read-only field is reserved and always has the value 0.</p>
15–12 DATAVADDR0	<p>Data Value Address 0</p> <p>Since the MTB_DWT implements two comparators, the DATAVADDR0 field is restricted to values {0,1}. When the DATAVMATCH bit is asserted, this field defines the comparator number to use for linked address comparison.</p> <p>If MTBDWT_COMP0 is used as a data watchpoint and MTBDWT_COMP1 as an address watchpoint, DATAVADDR0 must be set.</p>
11–10 DATAVSIZE	<p>Data Value Size</p> <p>For data value matching, this field defines the size of the required data comparison.</p> <p>00 Byte. 01 Halfword. 10 Word. 11 Reserved. Any attempts to use this value results in UNPREDICTABLE behavior.</p>
9 Reserved	<p>This field is reserved. This read-only field is reserved and always has the value 0.</p>
8 DATAVMATCH	<p>Data Value Match</p> <p>When this field is 1, it enables data value comparison. For this implementation, MTBDWT_COMP0 supports address or data value comparisons; MTBDWT_COMP1 only supports address comparisons.</p> <p>0 Perform address comparison. 1 Perform data value comparison.</p>
7–4 Reserved	<p>This field is reserved. This read-only field is reserved and always has the value 0.</p>
FUNCTION	<p>Function</p> <p>Selects the action taken on a comparator match. If MTBDWT_COMP0 is used for a data value and MTBDWT_COMP1 for an address value, then MTBDWT_FCT1[FUNCTION] must be set to zero. For this configuration, MTBDWT_MASK1 can be set to a non-zero value, so the combined comparators match on a range of addresses.</p> <p>0000 Disabled. 0100 Instruction fetch. 0101 Data operand read. 0110 Data operand write. 0111 Data operand (read + write). others Reserved. Any attempts to use this value results in UNPREDICTABLE behavior.</p>

43.3.2.5 MTB_DWT Comparator Function Register 1 (MTBDWT_FCT1)

The MTBDWT_FCTn registers control the operation of comparator n. Since the MTB_DWT only supports data value comparisons on comparator 0, there are several fields in the MTBDWT_FCT1 register that are RAZ/WI (bits 12, 11:10, 8).

Address: F000_1000h base + 38h offset = F000_1038h



MTBDWT_FCT1 field descriptions

Field	Description
31–25 Reserved	This field is reserved. This read-only field is reserved and always has the value 0.
24 MATCHED	Comparator match If this read-only flag is asserted, it indicates the operation defined by the FUNCTION field occurred since the last read of the register. Reading the register clears this bit.

Table continues on the next page...

MTBDWT_FCT1 field descriptions (continued)

Field	Description
	0 No match. 1 Match occurred.
23–4 Reserved	This field is reserved. This read-only field is reserved and always has the value 0.
FUNCTION	Function Selects the action taken on a comparator match. If MTBDWT_COMP0 is used for a data value and MTBDWT_COMP1 for an address value, then MTBDWT_FCT1[FUNCTION] must be set to zero. For this configuration, MTBDWT_MASK1 can be set to a non-zero value, so the combined comparators match on a range of addresses. 0000 Disabled. 0100 Instruction fetch. 0101 Data operand read. 0110 Data operand write. 0111 Data operand (read + write). others Reserved. Any attempts to use this value results in UNPREDICTABLE behavior.

43.3.2.6 MTB_DWT Trace Buffer Control Register (MTBDWT_TBCTRL)

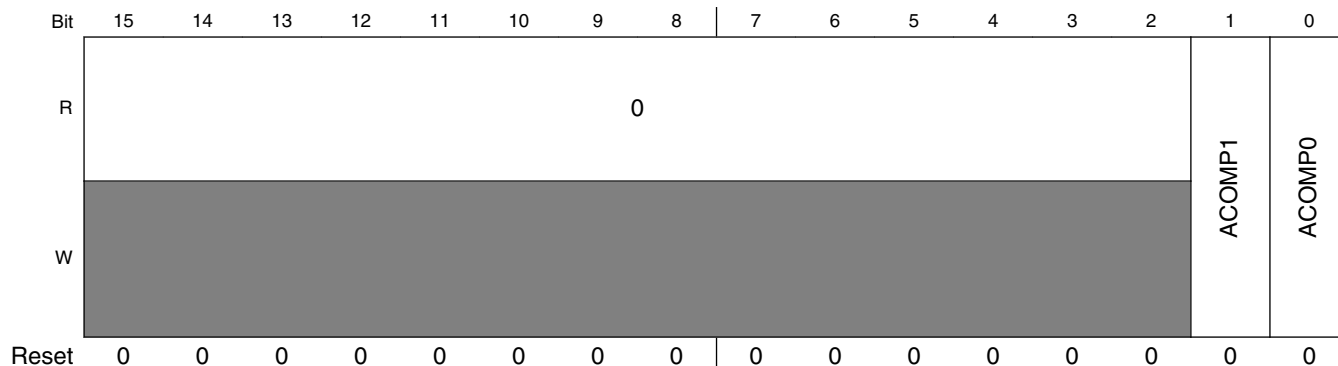
The MTBDWT_TBCTRL register defines how the watchpoint comparisons control the actual trace buffer operation.

Recall the MTB supports starting and stopping the program trace based on the watchpoint comparisons signaled via TSTART and TSTOP. The watchpoint comparison signals are enabled in the MTB's control logic by setting the appropriate enable bits, MTB_MASTER[TSTARTEN, TSTOPEN]. In the event of simultaneous assertion of both TSTART and TSTOP, TSTART takes priority.

Address: F000_1000h base + 200h offset = F000_1200h

Bit	31	30	29	28	27	26	25	24	23	22	21	20	19	18	17	16
R	NUMCOMP				0											
W	[Shaded]															
Reset	0	0	1	0	0	0	0	0	0	0	0	0	0	0	0	0

Memory map and register definition



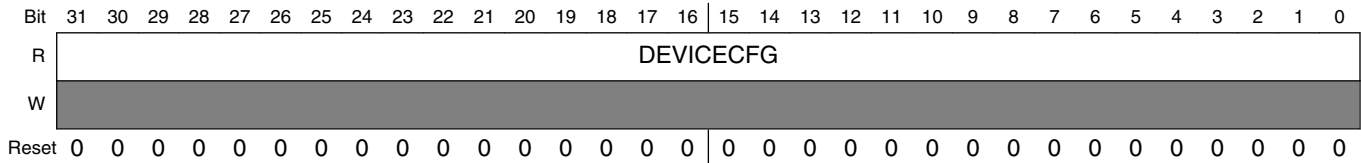
MTBDWT_TBCTRL field descriptions

Field	Description
31–28 NUMCOMP	<p>Number of Comparators</p> <p>This read-only field specifies the number of comparators in the MTB_DWT. This implementation includes two registers.</p>
27–2 Reserved	<p>This field is reserved.</p> <p>This read-only field is reserved and always has the value 0.</p>
1 ACOMP1	<p>Action based on Comparator 1 match</p> <p>When the MTBDWT_FCT1[MATCHED] is set, it indicates MTBDWT_COMP1 address compare has triggered and the trace buffer's recording state is changed.</p> <p>0 Trigger TSTOP based on the assertion of MTBDWT_FCT1[MATCHED]. 1 Trigger TSTART based on the assertion of MTBDWT_FCT1[MATCHED].</p>
0 ACOMP0	<p>Action based on Comparator 0 match</p> <p>When the MTBDWT_FCT0[MATCHED] is set, it indicates MTBDWT_COMP0 address compare has triggered and the trace buffer's recording state is changed. The assertion of MTBDWT_FCT0[MATCHED] is caused by the following conditions:</p> <ul style="list-style-type: none"> Address match in MTBDWT_COMP0 when MTBDWT_FCT0[DATAVMATCH] = 0 Data match in MTBDWT_COMP0 when MTBDWT_FCT0[DATAVMATCH, DATAVADDR0] = {1,0} Data match in MTBDWT_COMP0 and address match in MTBDWT_COMP1 when MTBDWT_FCT0[DATAVMATCH, DATAVADDR0] = {1,1} <p>0 Trigger TSTOP based on the assertion of MTBDWT_FCT0[MATCHED]. 1 Trigger TSTART based on the assertion of MTBDWT_FCT0[MATCHED].</p>

43.3.2.7 Device Configuration Register (MTBDWT_DEVICECFG)

This register indicates the device configuration. It is hardwired to specific values used during the auto-discovery process by an external debug agent.

Address: F000_1000h base + FC8h offset = F000_1FC8h



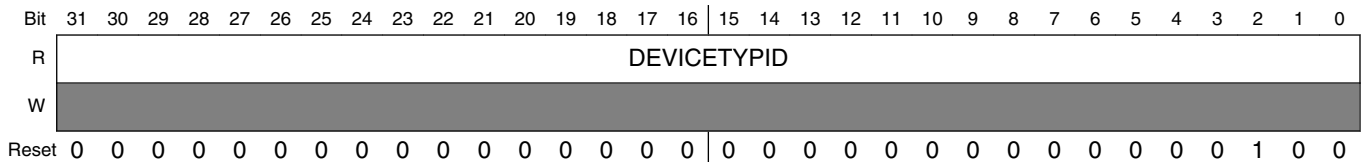
MTBDWT_DEVICECFG field descriptions

Field	Description
DEVICECFG	DEVICECFG Hardwired to 0x0000_0000.

43.3.2.8 Device Type Identifier Register (MTBDWT_DEVICETYPID)

This register indicates the device type ID. It is hardwired to specific values used during the auto-discovery process by an external debug agent.

Address: F000_1000h base + FCCh offset = F000_1FCCh



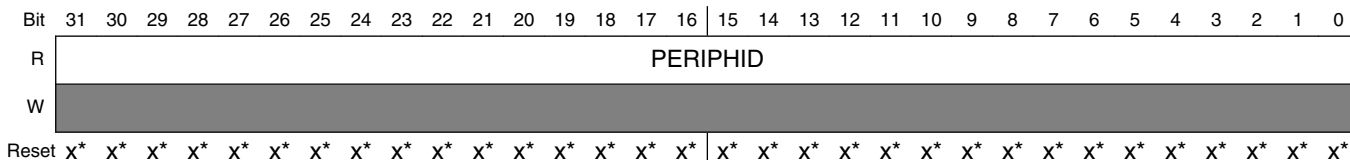
MTBDWT_DEVICETYPID field descriptions

Field	Description
DEVICETYPID	DEVICETYPID Hardwired to 0x0000_0004.

43.3.2.9 Peripheral ID Register (MTBDWT_PERIPHIDn)

These registers indicate the peripheral IDs. They are hardwired to specific values used during the auto-discovery process by an external debug agent.

Address: F000_1000h base + FD0h offset + (4d × i), where i=0d to 7d



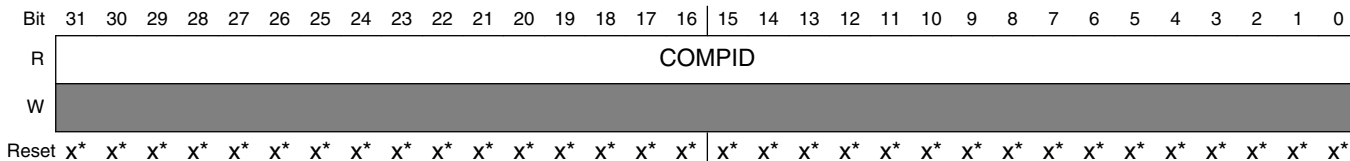
MTBDWT_PERIPHIDn field descriptions

Field	Description
PERIPHID	PERIPHID Peripheral ID1 is hardwired to 0x0000_00E0; ID2 to 0x0000_0008; and all the others to 0x0000_0000.

43.3.2.10 Component ID Register (MTBDWT_COMPIDn)

These registers indicate the component IDs. They are hardwired to specific values used during the auto-discovery process by an external debug agent.

Address: F000_1000h base + FF0h offset + (4d × i), where i=0d to 3d



MTBDWT_COMPIDn field descriptions

Field	Description
COMPID	Component ID Component ID0 is hardwired to 0x0000_000D; ID1 to 0x0000_0090; ID2 to 0x0000_0005; ID3 to 0x0000_00B1.

43.3.3 System ROM Memory Map

The System ROM Table registers are also mapped into a sparsely-populated 4 KB address space.

For core configurations like that supported by Cortex-M0+, Arm recommends that a debugger identifies and connects to the debug components using the CoreSight debug infrastructure.

Arm recommends that a debugger follows the flow as shown in the following figure to discover the components in the CoreSight debug infrastructure. In this case, a debugger reads the peripheral and component ID registers for each CoreSight component in the CoreSight system.

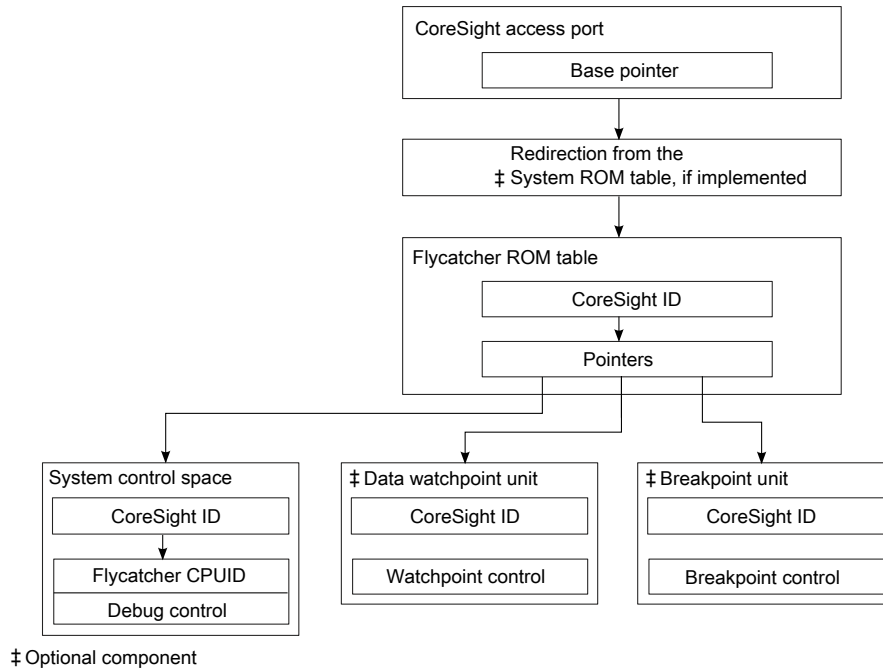


Figure 43-3. CoreSight discovery process

ROM memory map

Absolute address (hex)	Register name	Width (in bits)	Access	Reset value	Section/page
F000_2000	Entry (ROM_ENTRY0)	32	R	See section	43.3.3.1/ 922
F000_2004	Entry (ROM_ENTRY1)	32	R	See section	43.3.3.1/ 922
F000_2008	Entry (ROM_ENTRY2)	32	R	See section	43.3.3.1/ 922
F000_200C	End of Table Marker Register (ROM_TABLEMARK)	32	R	0000_0000h	43.3.3.2/ 923
F000_2FCC	System Access Register (ROM_SYSACCESS)	32	R	0000_0001h	43.3.3.3/ 923
F000_2FD0	Peripheral ID Register (ROM_PERIPHID4)	32	R	See section	43.3.3.4/ 924

Table continues on the next page...

ROM memory map (continued)

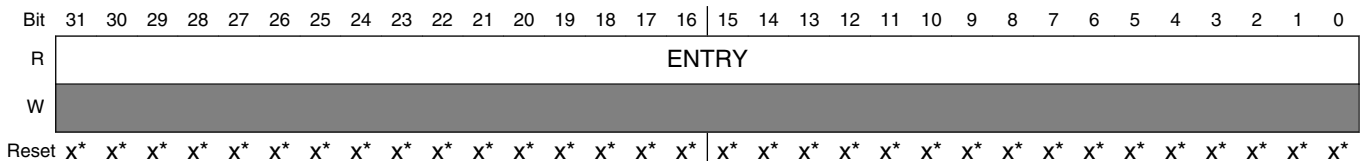
Absolute address (hex)	Register name	Width (in bits)	Access	Reset value	Section/page
F000_2FD4	Peripheral ID Register (ROM_PERIPHID5)	32	R	See section	43.3.3.4/924
F000_2FD8	Peripheral ID Register (ROM_PERIPHID6)	32	R	See section	43.3.3.4/924
F000_2FDC	Peripheral ID Register (ROM_PERIPHID7)	32	R	See section	43.3.3.4/924
F000_2FE0	Peripheral ID Register (ROM_PERIPHID0)	32	R	See section	43.3.3.4/924
F000_2FE4	Peripheral ID Register (ROM_PERIPHID1)	32	R	See section	43.3.3.4/924
F000_2FE8	Peripheral ID Register (ROM_PERIPHID2)	32	R	See section	43.3.3.4/924
F000_2FEC	Peripheral ID Register (ROM_PERIPHID3)	32	R	See section	43.3.3.4/924
F000_2FF0	Component ID Register (ROM_COMPID0)	32	R	See section	43.3.3.5/924
F000_2FF4	Component ID Register (ROM_COMPID1)	32	R	See section	43.3.3.5/924
F000_2FF8	Component ID Register (ROM_COMPID2)	32	R	See section	43.3.3.5/924
F000_2FFC	Component ID Register (ROM_COMPID3)	32	R	See section	43.3.3.5/924

43.3.3.1 Entry (ROM_ENTRY n)

The System ROM Table begins with "n" relative 32-bit addresses, one for each debug component present in the device and terminating with an all-zero value signaling the end of the table at the "n+1"-th value.

It is hardwired to specific values used during the auto-discovery process by an external debug agent.

Address: F000_2000h base + 0h offset + (4d × i), where i=0d to 2d



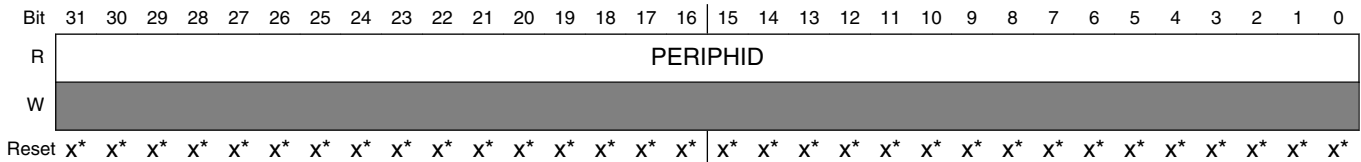
ROM_ENTRY n field descriptions

Field	Description
ENTRY	ENTRY

43.3.3.4 Peripheral ID Register (ROM_PERIPHIDn)

These registers indicate the peripheral IDs. They are hardwired to specific values used during the auto-discovery process by an external debug agent.

Address: F000_2000h base + FD0h offset + (4d × i), where i=0d to 7d



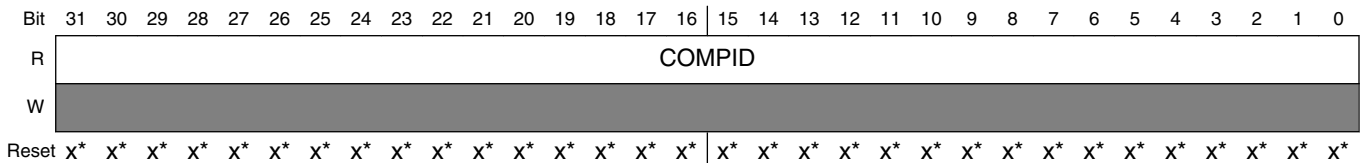
ROM_PERIPHIDn field descriptions

Field	Description
PERIPHID	PERIPHID Peripheral ID1 is hardwired to 0x0000_00E0; ID2 to 0x0000_0008; and all the others to 0x0000_0000.

43.3.3.5 Component ID Register (ROM_COMPIDn)

These registers indicate the component IDs. They are hardwired to specific values used during the auto-discovery process by an external debug agent.

Address: F000_2000h base + FF0h offset + (4d × i), where i=0d to 3d



ROM_COMPIDn field descriptions

Field	Description
COMPID	Component ID Component ID0 is hardwired to 0x0000_000D; ID1 to 0x0000_0010; ID2 to 0x0000_0005; ID3 to 0x0000_00B1.

Chapter 44

Flash Memory Controller (FMC)

44.1 Introduction

The Flash Memory Controller (FMC) is a memory acceleration unit. A list of features provided by the FMC can be found here.

- an interface between bus masters and the 32-bit program flash memory.
- a buffer and a cache that can accelerate program flash memory data transfers.

44.1.1 Overview

The Flash Memory Controller manages the interface between bus masters and the 32-bit program flash memory. The FMC receives status information detailing the configuration of the flash memory and uses this information to ensure a proper interface. The FMC supports 8-bit, 16-bit, and 32-bit read operations from the program flash memory. A write operation to program flash memory results in a bus error.

In addition, the FMC provides two separate mechanisms for accelerating the interface between bus masters and program flash memory. A 32-bit speculation buffer can prefetch the next 32-bit flash memory location, and a 4-way, 4-set program flash memory cache can store previously accessed program flash memory data for quick access times.

44.1.2 Features

The features of FMC module include:

- Interface between bus masters and the 32-bit program flash memory:
 - 8-bit, 16-bit, and 32-bit read operations to nonvolatile flash memory.
- Acceleration of data transfer from the program flash memory to the device:

- 32-bit prefetch speculation buffer for program flash accesses with controls for instruction/data access
- 4-way, 4-set, 32-bit line size program flash memory cache for a total of sixteen 32-bit entries with invalidation control

44.2 Modes of operation

The FMC operates only when a bus master accesses the program flash memory.

In terms of chip power modes:

- The FMC operates only in Run and Wait modes, including VLPR and VLPW modes.
- For any power mode where the program flash memory cannot be accessed, the FMC is disabled.

44.3 External signal description

The FMC has no external (off-chip) signals.

44.4 Memory map and register descriptions

The MCM's programming model provides control and configuration of the FMC's features.

For details, see the description of the MCM's Platform Control Register (PLACR).

44.5 Functional description

The FMC is a flash acceleration unit with flexible buffers for user configuration.

Besides managing the interface between bus masters and the program flash memory, the FMC can be used to customize the program flash memory cache and buffer to provide single-cycle system clock data access times. Whenever a hit occurs for the prefetch speculation buffer or the cache (when enabled), the requested data is transferred within a single system clock.

Upon system reset, the FMC is configured as follows:

- Flash cache is enabled.
- Instruction speculation and caching are enabled.

- Data speculation is disabled.
- Data caching is enabled.

Though the default configuration provides flash acceleration, advanced users may desire to customize the FMC buffer configurations to maximize throughput for their use cases. For example, the user may adjust the controls to enable buffering per access type (data or instruction).

NOTE

When reconfiguring the FMC, do not program the control and configuration inputs to the FMC while the program flash memory is being accessed. Instead, change them with a routine executing from RAM in supervisor mode.

Chapter 45

Flash Memory Module (FTFA)

45.1 Introduction

The flash memory module includes the following accessible memory regions:

- Program flash memory for vector space and code store

Flash memory is ideal for single-supply applications, permitting in-the-field erase and reprogramming operations without the need for any external high voltage power sources.

The flash memory module includes a memory controller that executes commands to modify flash memory contents. An erased bit reads '1' and a programmed bit reads '0'. The programming operation is unidirectional; it can only move bits from the '1' state (erased) to the '0' state (programmed). Only the erase operation restores bits from '0' to '1'; bits cannot be programmed from a '0' to a '1'.

CAUTION

A flash memory location must be in the erased state before being programmed. Cumulative programming of bits (back-to-back program operations without an intervening erase) within a flash memory location is not allowed. Re-programming of existing 0s to 0 is not allowed as this overstresses the device.

The standard shipping condition for flash memory is erased with security disabled. Data loss over time may occur due to degradation of the erased ('1') states and/or programmed ('0') states. Therefore, it is recommended that each flash block or sector be re-erased immediately prior to factory programming to ensure that the full data retention capability is achieved.

45.1.1 Features

The flash memory module includes the following features.

NOTE

See the device's Chip Configuration details for the exact amount of flash memory available on your device.

45.1.1.1 Program Flash Memory Features

- Sector size of 1 KB
- Program flash protection scheme prevents accidental program or erase of stored data
- Automated, built-in, program and erase algorithms with verify
- Read access to one program flash block is possible while programming or erasing data in the other program flash block

45.1.1.2 Other Flash Memory Module Features

- Internal high-voltage supply generator for flash memory program and erase operations
- Optional interrupt generation upon flash command completion
- Supports MCU security mechanisms which prevent unauthorized access to the flash memory contents

45.1.2 Block Diagram

The block diagram of the flash memory module is shown in the following figure.

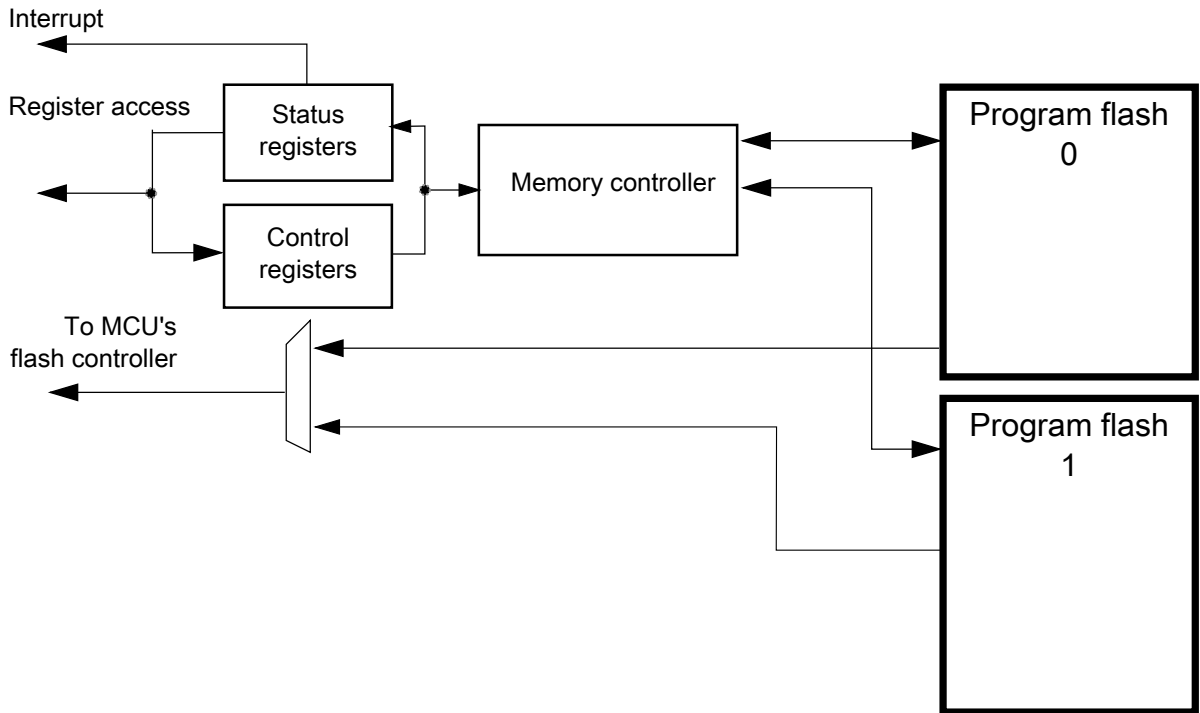


Figure 45-1. Flash Block Diagram

45.1.3 Glossary

Command write sequence — A series of MCU writes to the flash FCCOB register group that initiates and controls the execution of flash algorithms that are built into the flash memory module.

Endurance — The number of times that a flash memory location can be erased and reprogrammed.

FCCOB (Flash Common Command Object) — A group of flash registers that are used to pass command, address, data, and any associated parameters to the memory controller in the flash memory module.

Flash block — A macro within the flash memory module which provides the nonvolatile memory storage.

Flash Memory Module — All flash blocks plus a flash management unit providing high-level control and an interface to MCU buses.

IFR — Nonvolatile information register found in each flash block, separate from the main memory array.

Longword — 32 bits of data with an aligned longword having byte-address[1:0] = 00.

NVM — Nonvolatile memory. A memory technology that maintains stored data during power-off. The flash array is an NVM using NOR-type flash memory technology.

NVM Normal Mode — An NVM mode that provides basic user access to flash memory module resources. The CPU or other bus masters initiate flash program and erase operations (or other flash commands) using writes to the FCCOB register group in the flash memory module.

NVM Special Mode — An NVM mode enabling external, off-chip access to the memory resources in the flash memory module. A reduced flash command set is available when the MCU is secured. See the Chip Configuration details for information on when this mode is used.

Program flash — The program flash memory provides nonvolatile storage for vectors and code store.

Program flash Sector — The smallest portion of the program flash memory (consecutive addresses) that can be erased.

Retention — The length of time that data can be kept in the NVM without experiencing errors upon readout. Since erased (1) states are subject to degradation just like programmed (0) states, the data retention limit may be reached from the last erase operation (not from the programming time).

RWW— Read-While-Write. The ability to simultaneously read from one memory resource while commanded operations are active in another memory resource.

Secure — An MCU state conveyed to the flash memory module as described in the Chip Configuration details for this device. In the secure state, reading and changing NVM contents is restricted.

Word — 16 bits of data with an aligned word having byte-address[0] = 0.

45.2 External Signal Description

The flash memory module contains no signals that connect off-chip.

45.3 Memory Map and Registers

This section describes the memory map and registers for the flash memory module.

Data read from unimplemented memory space in the flash memory module is undefined. Writes to unimplemented or reserved memory space (registers) in the flash memory module are ignored.

45.3.1 Flash Configuration Field Description

The program flash memory contains a 16-byte flash configuration field that stores default protection settings (loaded on reset) and security information that allows the MCU to restrict access to the flash memory module.

Flash Configuration Field Offset Address	Size (Bytes)	Field Description
0x0_0400–0x0_0407	8	Backdoor Comparison Key. Refer to Verify Backdoor Access Key Command and Unsecuring the Chip Using Backdoor Key Access .
0x0_0408–0x0_040B	4	Program flash protection bytes. Refer to the description of the Program Flash Protection Registers (FPROT0-3).
0x0_040F	1	Reserved
0x0_040E	1	Reserved
0x0_040D	1	Flash nonvolatile option byte. Refer to the description of the Flash Option Register (FOPT).
0x0_040C	1	Flash security byte. Refer to the description of the Flash Security Register (FSEC).

45.3.2 Program Flash IFR Map

The program flash IFR is nonvolatile information memory that can be read freely, but the user has no erase and limited program capabilities (see the Read Once, Program Once, and Read Resource commands in [Read Once Command](#), [Program Once Command](#) and [Read Resource Command](#)).

The contents of the program flash IFR are summarized in the table found here and further described in the subsequent paragraphs.

The program flash IFR is located within the program flash 0 memory block .

Address Range	Size (Bytes)	Field Description
0x00 – 0xBF	192	Reserved
0xC0 – 0xFF	64	Program Once Field

45.3.2.1 Program Once Field

The Program Once Field in the program flash IFR provides 64 bytes of user data storage separate from the program flash main array. The user can program the Program Once Field one time only as there is no program flash IFR erase mechanism available to the user. The Program Once Field can be read any number of times. This section of the program flash IFR is accessed in 4-byte records using the Read Once and Program Once commands (see [Read Once Command](#) and [Program Once Command](#)).

45.3.3 Register Descriptions

The flash memory module contains a set of memory-mapped control and status registers. The FCCOB register group uses a big endian addressing convention. These registers can be accessed as individual bytes, aligned 16-bit half-words or aligned 32-bit words. While accessing these registers as half-words or words in a little endian system, ensure that the correct order of the individual FCCOB registers is achieved.

NOTE

While a command is running (FSTAT[CCIF]=0), register writes are not accepted to any register except FCNFG and FSTAT. The no-write rule is relaxed during the start-up reset sequence, prior to the initial rise of CCIF. During this initialization period the user may write any register. All register writes are also disabled (except for registers FCNFG and FSTAT) whenever an erase suspend request is active (FCNFG[ERSSUSP]=1).

FTFA memory map

Absolute address (hex)	Register name	Width (in bits)	Access	Reset value	Section/page
4002_0000	Flash Status Register (FTFA_FSTAT)	8	R/W	00h	45.3.3.1/935
4002_0001	Flash Configuration Register (FTFA_FCNFG)	8	R/W	00h	45.3.3.2/937
4002_0002	Flash Security Register (FTFA_FSEC)	8	R	Undefined	45.3.3.3/938
4002_0003	Flash Option Register (FTFA_FOPT)	8	R	Undefined	45.3.3.4/939
4002_0004	Flash Common Command Object Registers (FTFA_FCCOB3)	8	R/W	00h	45.3.3.5/940

Table continues on the next page...

FTFA memory map (continued)

Absolute address (hex)	Register name	Width (in bits)	Access	Reset value	Section/page
4002_0005	Flash Common Command Object Registers (FTFA_FCCOB2)	8	R/W	00h	45.3.3.5/ 940
4002_0006	Flash Common Command Object Registers (FTFA_FCCOB1)	8	R/W	00h	45.3.3.5/ 940
4002_0007	Flash Common Command Object Registers (FTFA_FCCOB0)	8	R/W	00h	45.3.3.5/ 940
4002_0008	Flash Common Command Object Registers (FTFA_FCCOB7)	8	R/W	00h	45.3.3.5/ 940
4002_0009	Flash Common Command Object Registers (FTFA_FCCOB6)	8	R/W	00h	45.3.3.5/ 940
4002_000A	Flash Common Command Object Registers (FTFA_FCCOB5)	8	R/W	00h	45.3.3.5/ 940
4002_000B	Flash Common Command Object Registers (FTFA_FCCOB4)	8	R/W	00h	45.3.3.5/ 940
4002_000C	Flash Common Command Object Registers (FTFA_FCCOB3)	8	R/W	00h	45.3.3.5/ 940
4002_000D	Flash Common Command Object Registers (FTFA_FCCOB2)	8	R/W	00h	45.3.3.5/ 940
4002_000E	Flash Common Command Object Registers (FTFA_FCCOB1)	8	R/W	00h	45.3.3.5/ 940
4002_000F	Flash Common Command Object Registers (FTFA_FCCOB0)	8	R/W	00h	45.3.3.5/ 940
4002_0010	Program Flash Protection Registers (FTFA_FPROT3)	8	R/W	Undefined	45.3.3.6/ 941
4002_0011	Program Flash Protection Registers (FTFA_FPROT2)	8	R/W	Undefined	45.3.3.6/ 941
4002_0012	Program Flash Protection Registers (FTFA_FPROT1)	8	R/W	Undefined	45.3.3.6/ 941
4002_0013	Program Flash Protection Registers (FTFA_FPROT0)	8	R/W	Undefined	45.3.3.6/ 941

45.3.3.1 Flash Status Register (FTFA_FSTAT)

The FSTAT register reports the operational status of the flash memory module.

The CCIF, RDCOLERR, ACCERR, and FPVIOL bits are readable and writable. The MGSTAT0 bit is read only. The unassigned bits read 0 and are not writable.

NOTE

When set, the Access Error (ACCERR) and Flash Protection Violation (FPVIOL) bits in this register prevent the launch of any more commands until the flag is cleared (by writing a one to it).

Memory Map and Registers

Address: 4002_0000h base + 0h offset = 4002_0000h

Bit	7	6	5	4	3	2	1	0
Read	CCIF	RDCOLERR	ACCERR	FPVIOL	0			MGSTAT0
Write	w1c	w1c	w1c	w1c				
Reset	0	0	0	0	0	0	0	0

FTFA_FSTAT field descriptions

Field	Description
7 CCIF	<p>Command Complete Interrupt Flag</p> <p>Indicates that a flash command has completed. The CCIF flag is cleared by writing a 1 to CCIF to launch a command, and CCIF stays low until command completion or command violation.</p> <p>CCIF is reset to 0 but is set to 1 by the memory controller at the end of the reset initialization sequence. Depending on how quickly the read occurs after reset release, the user may or may not see the 0 hardware reset value.</p> <p>0 Flash command in progress 1 Flash command has completed</p>
6 RDCOLERR	<p>Flash Read Collision Error Flag</p> <p>Indicates that the MCU attempted a read from a flash memory resource that was being manipulated by a flash command (CCIF=0). Any simultaneous access is detected as a collision error by the block arbitration logic. The read data in this case cannot be guaranteed. The RDCOLERR bit is cleared by writing a 1 to it. Writing a 0 to RDCOLERR has no effect.</p> <p>0 No collision error detected 1 Collision error detected</p>
5 ACCERR	<p>Flash Access Error Flag</p> <p>Indicates an illegal access has occurred to a flash memory resource caused by a violation of the command write sequence or issuing an illegal flash command. While ACCERR is set, the CCIF flag cannot be cleared to launch a command. The ACCERR bit is cleared by writing a 1 to ACCERR while CCIF is set. Writing a 0 to the ACCERR bit has no effect.</p> <p>0 No access error detected 1 Access error detected</p>
4 FPVIOL	<p>Flash Protection Violation Flag</p> <p>Indicates an attempt was made to program or erase an address in a protected area of program flash memory during a command write sequence. While FPVIOL is set, the CCIF flag cannot be cleared to launch a command. The FPVIOL bit is cleared by writing a 1 to FPVIOL while CCIF is set. Writing a 0 to the FPVIOL bit has no effect.</p> <p>0 No protection violation detected 1 Protection violation detected</p>
3-1 Reserved	<p>This field is reserved. This read-only field is reserved and always has the value 0.</p>
0 MGSTAT0	<p>Memory Controller Command Completion Status Flag</p> <p>The MGSTAT0 status flag is set if an error is detected during execution of a flash command or during the flash reset sequence. As a status flag, this field cannot (and need not) be cleared by the user like the other error flags in this register.</p>

Table continues on the next page...

FTFA_FSTAT field descriptions (continued)

Field	Description
	The value of the MGSTAT0 bit for "command-N" is valid only at the end of the "command-N" execution when CCIF=1 and before the next command has been launched. At some point during the execution of "command-N+1," the previous result is discarded and any previous error is cleared.

45.3.3.2 Flash Configuration Register (FTFA_FCNFG)

This register provides information on the current functional state of the flash memory module.

The erase control bits (ERSAREQ and ERSSUSP) have write restrictions. The unassigned bits read as noted and are not writable.

Address: 4002_0000h base + 1h offset = 4002_0001h

Bit	7	6	5	4	3	2	1	0
Read			ERSAREQ	ERSSUSP	0	0	0	0
Write	CCIE	RDCOLLIE						
Reset	0	0	0	0	0	0	0	0

FTFA_FCNFG field descriptions

Field	Description
7 CCIE	Command Complete Interrupt Enable Controls interrupt generation when a flash command completes. 0 Command complete interrupt disabled 1 Command complete interrupt enabled. An interrupt request is generated whenever the FSTAT[CCIF] flag is set.
6 RDCOLLIE	Read Collision Error Interrupt Enable Controls interrupt generation when a flash memory read collision error occurs. 0 Read collision error interrupt disabled 1 Read collision error interrupt enabled. An interrupt request is generated whenever a flash memory read collision error is detected (see the description of FSTAT[RDCOLERR]).
5 ERSAREQ	Erase All Request Issues a request to the memory controller to execute the Erase All Blocks command and release security. ERSAREQ is not directly writable but is under indirect user control. Refer to the device's Chip Configuration details on how to request this command. ERSAREQ sets when an erase all request is triggered external to the flash memory module and CCIF is set (no command is currently being executed). ERSAREQ is cleared by the flash memory module when the operation completes. 0 No request or request complete 1 Request to: 1. run the Erase All Blocks command,

Table continues on the next page...

FTFA_FCNFG field descriptions (continued)

Field	Description
	2. verify the erased state, 3. program the security byte in the Flash Configuration Field to the unsecure state, and 4. release MCU security by setting the FSEC[SEC] field to the unsecure state.
4 ERSSUSP	Erase Suspend Allows the user to suspend (interrupt) the Erase Flash Sector command while it is executing. 0 No suspend requested 1 Suspend the current Erase Flash Sector command execution.
3 Reserved	This field is reserved. This read-only field is reserved and always has the value 0.
2 Reserved	This field is reserved. This read-only field is reserved and always has the value 0.
1 Reserved	This field is reserved. This read-only field is reserved and always has the value 0.
0 Reserved	This field is reserved. This read-only field is reserved and always has the value 0.

45.3.3.3 Flash Security Register (FTFA_FSEC)

This read-only register holds all bits associated with the security of the MCU and flash memory module.

During the reset sequence, the register is loaded with the contents of the flash security byte in the Flash Configuration Field located in program flash memory. The flash basis for the values is signified by X in the reset value.

Address: 4002_0000h base + 2h offset = 4002_0002h

Bit	7	6	5	4	3	2	1	0
Read	KEYEN		MEEN		FSLACC		SEC	
Write								
Reset	x*	x*	x*	x*	x*	x*	x*	x*

* Notes:

- x = Undefined at reset.

FTFA_FSEC field descriptions

Field	Description
7-6 KEYEN	Backdoor Key Security Enable Enables or disables backdoor key access to the flash memory module. 00 Backdoor key access disabled 01 Backdoor key access disabled (preferred KEYEN state to disable backdoor key access)

Table continues on the next page...

FTFA_FSEC field descriptions (continued)

Field	Description
	10 Backdoor key access enabled 11 Backdoor key access disabled
5–4 MEEN	Mass Erase Enable Enables and disables mass erase capability of the flash memory module. The state of this field is relevant only when SEC is set to secure outside of NVM Normal Mode. When SEC is set to unsecure, the MEEN setting does not matter. 00 Mass erase is enabled 01 Mass erase is enabled 10 Mass erase is disabled 11 Mass erase is enabled
3–2 FSLACC	Factory Security Level Access Code Enables or disables access to the flash memory contents during returned part failure analysis at NXP. When SEC is secure and FSLACC is denied, access to the program flash contents is denied and any failure analysis performed by NXP factory test must begin with a full erase to unsecure the part. When access is granted (SEC is unsecure, or SEC is secure and FSLACC is granted), NXP factory testing has visibility of the current flash contents. The state of the FSLACC bits is only relevant when SEC is set to secure. When SEC is set to unsecure, the FSLACC setting does not matter. 00 NXP factory access granted 01 NXP factory access denied 10 NXP factory access denied 11 NXP factory access granted
SEC	Flash Security Defines the security state of the MCU. In the secure state, the MCU limits access to flash memory module resources. The limitations are defined per device and are detailed in the Chip Configuration details. If the flash memory module is unsecured using backdoor key access, SEC is forced to 10b. 00 MCU security status is secure. 01 MCU security status is secure. 10 MCU security status is unsecure. (The standard shipping condition of the flash memory module is unsecure.) 11 MCU security status is secure.

45.3.3.4 Flash Option Register (FTFA_FOPT)

The flash option register allows the MCU to customize its operations by examining the state of these read-only bits, which are loaded from NVM at reset. The function of the bits is defined in the device's Chip Configuration details.

All bits in the register are read-only .

Memory Map and Registers

During the reset sequence, the register is loaded from the flash nonvolatile option byte in the Flash Configuration Field located in program flash memory. The flash basis for the values is signified by X in the reset value. However, the register is written to 0xFF if the contents of the flash nonvolatile option byte are 0x00.

Address: 4002_0000h base + 3h offset = 4002_0003h

Bit	7	6	5	4	3	2	1	0
Read	OPT							
Write								
Reset	x*	x*	x*	x*	x*	x*	x*	x*

* Notes:

- x = Undefined at reset.

FTFA_FOPT field descriptions

Field	Description
OPT	Nonvolatile Option These bits are loaded from flash to this register at reset. Refer to the device's Chip Configuration details for the definition and use of these bits.

45.3.3.5 Flash Common Command Object Registers (FTFA_FCCOBn)

The FCCOB register group provides 12 bytes for command codes and parameters. The individual bytes within the set append a 0-B hex identifier to the FCCOB register name: FCCOB0, FCCOB1, ..., FCCOBB.

Address: 4002_0000h base + 4h offset + (1d × i), where i=0d to 11d

Bit	7	6	5	4	3	2	1	0
Read	CCOBn							
Write								
Reset	0	0	0	0	0	0	0	0

FTFA_FCCOBn field descriptions

Field	Description
CCOBn	The FCCOB register provides a command code and relevant parameters to the memory controller. The individual registers that compose the FCCOB data set can be written in any order, but you must provide all needed values, which vary from command to command. First, set up all required FCCOB fields and then initiate the command's execution by writing a 1 to the FSTAT[CCIF] bit. This clears the CCIF bit, which locks all FCCOB parameter fields and they cannot be changed by the user until the command completes (CCIF returns to 1). No command buffering or queueing is provided; the next command can be loaded only after the current command completes. Some commands return information to the FCCOB registers. Any values returned to FCCOB are available for reading after the FSTAT[CCIF] flag returns to 1 by the memory controller.

FTFA_FCCOB_n field descriptions (continued)

Field	Description																										
	<p>The following table shows a generic flash command format. The first FCCOB register, FCCOB0, always contains the command code. This 8-bit value defines the command to be executed. The command code is followed by the parameters required for this specific flash command, typically an address and/or data values.</p> <p>NOTE: The command parameter table is written in terms of FCCOB Number (which is equivalent to the byte number). This number is a reference to the FCCOB register name and is not the register address.</p> <table border="1" data-bbox="349 499 1468 1038"> <thead> <tr> <th data-bbox="349 499 630 540">FCCOB Number</th> <th data-bbox="630 499 1468 540">Typical Command Parameter Contents [7:0]</th> </tr> </thead> <tbody> <tr> <td data-bbox="349 540 630 582">0</td> <td data-bbox="630 540 1468 582">FCMD (a code that defines the flash command)</td> </tr> <tr> <td data-bbox="349 582 630 623">1</td> <td data-bbox="630 582 1468 623">Flash address [23:16]</td> </tr> <tr> <td data-bbox="349 623 630 665">2</td> <td data-bbox="630 623 1468 665">Flash address [15:8]</td> </tr> <tr> <td data-bbox="349 665 630 706">3</td> <td data-bbox="630 665 1468 706">Flash address [7:0]</td> </tr> <tr> <td data-bbox="349 706 630 747">4</td> <td data-bbox="630 706 1468 747">Data Byte 0</td> </tr> <tr> <td data-bbox="349 747 630 789">5</td> <td data-bbox="630 747 1468 789">Data Byte 1</td> </tr> <tr> <td data-bbox="349 789 630 830">6</td> <td data-bbox="630 789 1468 830">Data Byte 2</td> </tr> <tr> <td data-bbox="349 830 630 872">7</td> <td data-bbox="630 830 1468 872">Data Byte 3</td> </tr> <tr> <td data-bbox="349 872 630 913">8</td> <td data-bbox="630 872 1468 913">Data Byte 4</td> </tr> <tr> <td data-bbox="349 913 630 955">9</td> <td data-bbox="630 913 1468 955">Data Byte 5</td> </tr> <tr> <td data-bbox="349 955 630 996">A</td> <td data-bbox="630 955 1468 996">Data Byte 6</td> </tr> <tr> <td data-bbox="349 996 630 1038">B</td> <td data-bbox="630 996 1468 1038">Data Byte 7</td> </tr> </tbody> </table> <p>FCCOB Endianness and Multi-Byte Access :</p> <p>The FCCOB register group uses a big endian addressing convention. For all command parameter fields larger than 1 byte, the most significant data resides in the lowest FCCOB register number. The FCCOB register group may be read and written as individual bytes, aligned words (2 bytes) or aligned longwords (4 bytes).</p>	FCCOB Number	Typical Command Parameter Contents [7:0]	0	FCMD (a code that defines the flash command)	1	Flash address [23:16]	2	Flash address [15:8]	3	Flash address [7:0]	4	Data Byte 0	5	Data Byte 1	6	Data Byte 2	7	Data Byte 3	8	Data Byte 4	9	Data Byte 5	A	Data Byte 6	B	Data Byte 7
FCCOB Number	Typical Command Parameter Contents [7:0]																										
0	FCMD (a code that defines the flash command)																										
1	Flash address [23:16]																										
2	Flash address [15:8]																										
3	Flash address [7:0]																										
4	Data Byte 0																										
5	Data Byte 1																										
6	Data Byte 2																										
7	Data Byte 3																										
8	Data Byte 4																										
9	Data Byte 5																										
A	Data Byte 6																										
B	Data Byte 7																										

45.3.3.6 Program Flash Protection Registers (FTFA_FPROT_n)

The FPROT registers define which program flash regions are protected from program and erase operations. Protected flash regions cannot have their content changed; that is, these regions cannot be programmed and cannot be erased by any flash command. Unprotected regions can be changed by program and erase operations.

The four FPROT registers allow up to 32 protectable regions. Each bit protects a 1/32 region of the program flash memory except for memory configurations with less than 32 KB of program flash where each assigned bit protects 1 KB. For configurations with 24 KB of program flash memory or less, FPROT0 is not used. For configurations with 16 KB of program flash memory or less, FPROT1 is not used. For configurations with 8 KB of program flash memory, FPROT2 is not used. For configurations with 24 KB of

program flash memory or less, FPROT0 is not used. For configurations with 16 KB of program flash memory or less, FPROT1 is not used. For configurations with 8 KB of program flash memory, FPROT2 is not used. The bitfields are defined in each register as follows:

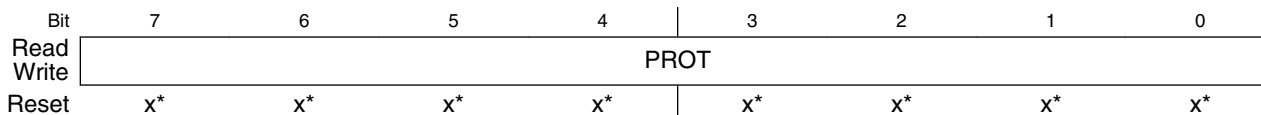
Program flash protection register	Program flash protection bits
FPROT0	PROT[31:24]
FPROT1	PROT[23:16]
FPROT2	PROT[15:8]
FPROT3	PROT[7:0]

During the reset sequence, the FPROT registers are loaded with the contents of the program flash protection bytes in the Flash Configuration Field as indicated in the following table.

Program flash protection register	Flash Configuration Field offset address
FPROT0	0x000B
FPROT1	0x000A
FPROT2	0x0009
FPROT3	0x0008

To change the program flash protection that is loaded during the reset sequence, unprotect the sector of program flash memory that contains the Flash Configuration Field. Then, reprogram the program flash protection byte.

Address: 4002_0000h base + 10h offset + (1d × i), where i=0d to 3d



* Notes:

- x = Undefined at reset.

FTFA_FPROTn field descriptions

Field	Description
PROT	<p>Program Flash Region Protect</p> <p>Each program flash region can be protected from program and erase operations by setting the associated PROT bit.</p> <p>In NVM Normal mode: The protection can only be increased, meaning that currently unprotected memory can be protected, but currently protected memory cannot be unprotected. Since unprotected regions are marked with a 1 and protected regions use a 0, only writes changing 1s to 0s are accepted. This 1-to-0 transition check is performed on a bit-by-bit basis. Those FPROT bits with 1-to-0 transitions are accepted while all bits with 0-to-1 transitions are ignored.</p>

FTFA_FPROT n field descriptions (continued)

Field	Description
	<p>In NVM Special mode: All bits of FPROT are writable without restriction. Unprotected areas can be protected and protected areas can be unprotected.</p> <p>Restriction: The user must never write to any FPROT register while a command is running (CCIF=0). Trying to alter data in any protected area in the program flash memory results in a protection violation error and sets the FSTAT[FPVIOL] bit. A full block erase of a program flash block is not possible if it contains any protected region.</p> <p>Each bit in the 32-bit protection register represents 1/32 of the total program flash except for memory configurations with less than 32 KB of program flash where each assigned bit protects 1 KB .</p> <p>0 Program flash region is protected. 1 Program flash region is not protected</p>

45.4 Functional Description

The information found here describes functional details of the flash memory module.

45.4.1 Flash Protection

Individual regions within the flash memory can be protected from program and erase operations.

Protection is controlled by the following registers:

- FPROT n —
 - For 2ⁿ program flash sizes, four registers typically protect 32 regions of the program flash memory as shown in the following figure

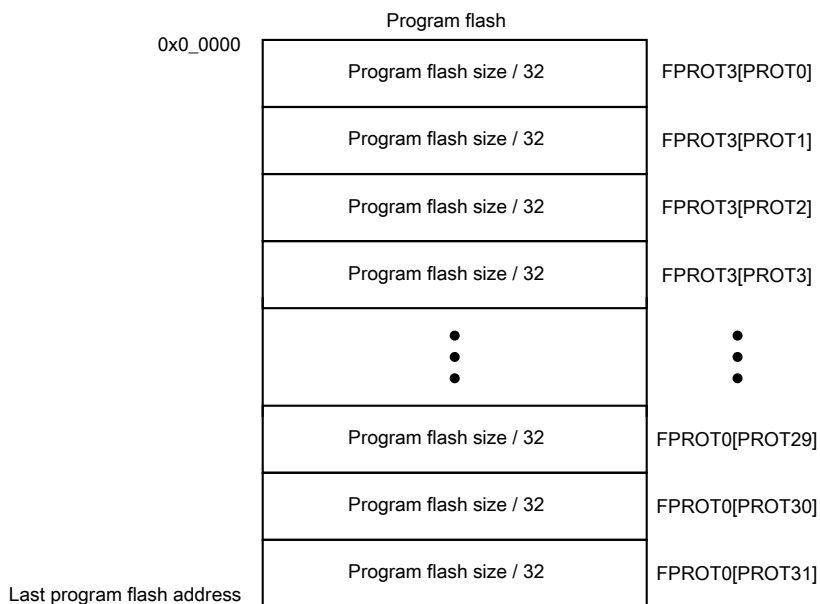


Figure 45-2. Program flash protection

NOTE

Flash protection features are discussed further in [AN4507: Using the Kinetis Security and Flash Protection Features](#) . Not all features described in the application note are available on this device.

45.4.2 Interrupts

The flash memory module can generate interrupt requests to the MCU upon the occurrence of various flash events.

These interrupt events and their associated status and control bits are shown in the following table.

Table 45-1. Flash Interrupt Sources

Flash Event	Readable Status Bit	Interrupt Enable Bit
Flash Command Complete	FSTAT[CCIF]	FCNFG[CCIE]
Flash Read Collision Error	FSTAT[RDCOLERR]	FCNFG[RDCOLLIE]

Note

Vector addresses and their relative interrupt priority are determined at the MCU level.

Some devices also generate a bus error response as a result of a Read Collision Error event. See the chip configuration information to determine if a bus error response is also supported.

45.4.3 Flash Operation in Low-Power Modes

45.4.3.1 Wait Mode

When the MCU enters wait mode, the flash memory module is not affected. The flash memory module can recover the MCU from wait via the command complete interrupt (see [Interrupts](#)).

45.4.3.2 Stop Mode

When the MCU requests stop mode, if a flash command is active (CCIF = 0) the command execution completes before the MCU is allowed to enter stop mode.

CAUTION

The MCU should never enter stop mode while any flash command is running (CCIF = 0).

NOTE

While the MCU is in very-low-power modes (VLPR, VLPW, VLPS), the flash memory module does not accept flash commands.

45.4.4 Functional Modes of Operation

The flash memory module has two operating modes: NVM Normal and NVM Special.

The operating mode affects the command set availability (see [Table 45-2](#)). Refer to the Chip Configuration details of this device for how to activate each mode.

45.4.5 Flash Reads and Ignored Writes

The flash memory module requires only the flash address to execute a flash memory read.

The MCU must not read from the flash memory while commands are running (as evidenced by CCIF=0) on that block. Read data cannot be guaranteed from a flash block while any command is processing within that block. The block arbitration logic detects any simultaneous access and reports this as a read collision error (see the FSTAT[RDCOLERR] bit).

45.4.6 Read While Write (RWW)

The following simultaneous accesses are allowed:

- The user may read from one logical program flash memory space while flash commands are active in the other logical program flash memory space.

Simultaneous operations are further discussed in [Allowed Simultaneous Flash Operations](#).

45.4.7 Flash Program and Erase

All flash functions except read require the user to setup and launch a flash command through a series of peripheral bus writes.

The user cannot initiate any further flash commands until notified that the current command has completed. The flash command structure and operation are detailed in [Flash Command Operations](#).

45.4.8 Flash Command Operations

Flash command operations are typically used to modify flash memory contents.

The next sections describe:

- The command write sequence used to set flash command parameters and launch execution
- A description of all flash commands available

45.4.8.1 Command Write Sequence

Flash commands are specified using a command write sequence illustrated in [Figure 45-3](#). The flash memory module performs various checks on the command (FCCOB) content and continues with command execution if all requirements are fulfilled.

Before launching a command, the ACCERR and FPVIOL bits in the FSTAT register must be zero and the CCIF flag must read 1 to verify that any previous command has completed. If CCIF is zero, the previous command execution is still active, a new command write sequence cannot be started, and all writes to the FCCOB registers are ignored.

Attempts to launch a flash command in VLP mode will be ignored.

45.4.8.1.1 Load the FCCOB Registers

The user must load the FCCOB registers with all parameters required by the desired flash command. The individual registers that make up the FCCOB data set can be written in any order.

45.4.8.1.2 Launch the Command by Clearing CCIF

Once all relevant command parameters have been loaded, the user launches the command by clearing FSTAT[CCIF] by writing a '1' to it. FSTAT[CCIF] remains 0 until the flash command completes.

The FSTAT register contains a blocking mechanism that prevents a new command from launching (can't clear FSTAT[CCIF]) if the previous command resulted in an access error (FSTAT[ACCERR]=1) or a protection violation (FSTAT[FPVIOL]=1). In error scenarios, two writes to FSTAT are required to initiate the next command: the first write clears the error flags, the second write clears CCIF.

45.4.8.1.3 Command Execution and Error Reporting

The command processing has several steps:

1. The flash memory module reads the command code and performs a series of parameter checks and protection checks, if applicable, which are unique to each command.

If the parameter check fails, the FSTAT[ACCERR] (access error) flag is set. FSTAT[ACCERR] reports invalid instruction codes and out-of-bounds addresses. Usually, access errors suggest that the command was not set-up with valid parameters in the FCCOB register group.

Functional Description

Program and erase commands also check the address to determine if the operation is requested to execute on protected areas. If the protection check fails, FSTAT[FPVIOL] (protection error) flag is set.

Command processing never proceeds to execution when the parameter or protection step fails. Instead, command processing is terminated after setting FSTAT[CCIF].

2. If the parameter and protection checks pass, the command proceeds to execution. Run-time errors, such as failure to erase verify, may occur during the execution phase. Run-time errors are reported in FSTAT[MGSTAT0]. A command may have access errors, protection errors, and run-time errors, but the run-time errors are not seen until all access and protection errors have been corrected.
3. Command execution results, if applicable, are reported back to the user via the FCCOB and FSTAT registers.
4. The flash memory module sets FSTAT[CCIF] signifying that the command has completed.

The flow for a generic command write sequence is illustrated in the following figure.

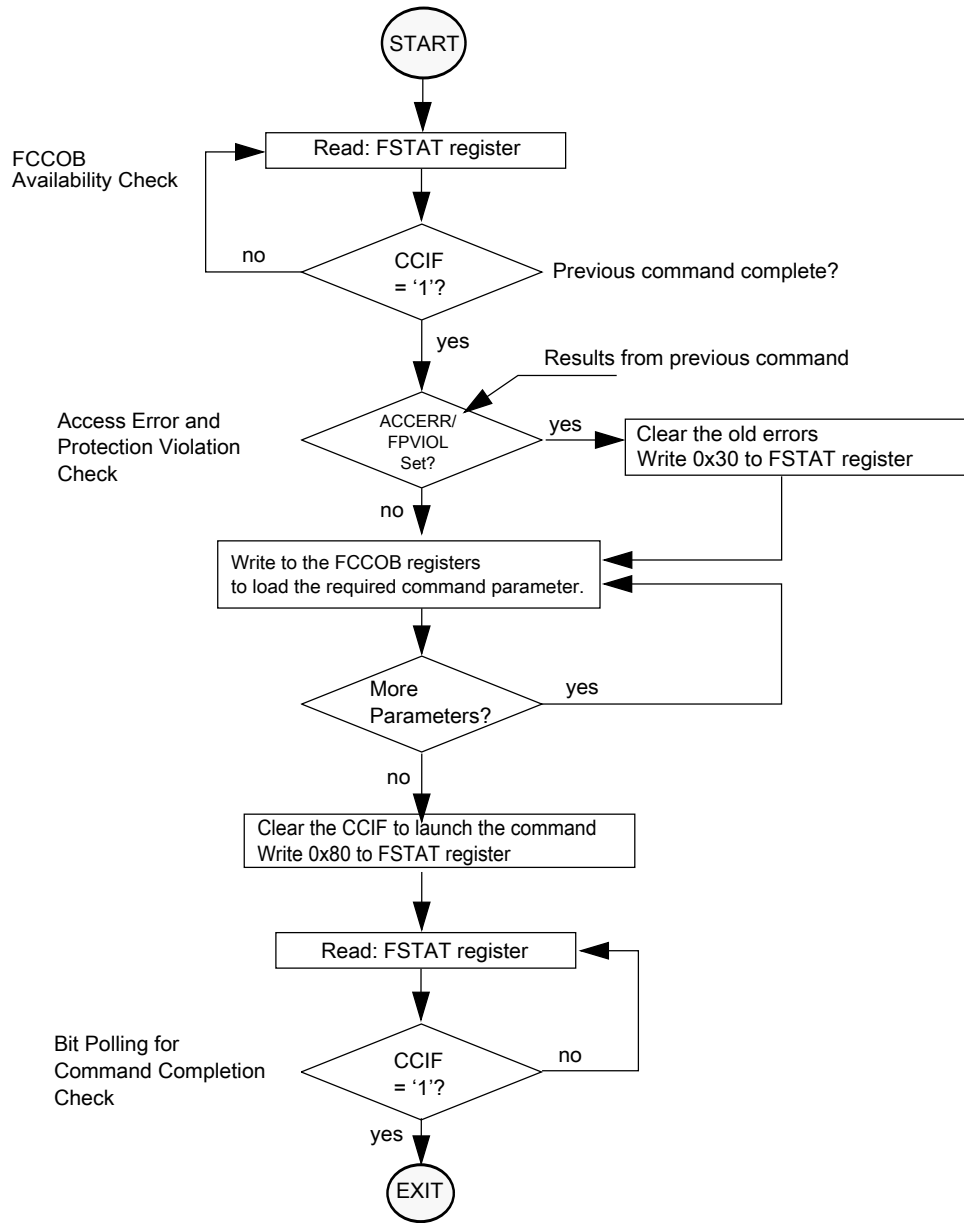


Figure 45-3. Generic flash command write sequence flowchart

45.4.8.2 Flash Commands

The following table summarizes the function of all flash commands.

FCMD	Command	Program flash 0	Program flash 1	Function
0x00	Read 1s Block	×	×	Verify that a program flash block is erased.

Table continues on the next page...

Functional Description

FCMD	Command	Program flash 0	Program flash 1	Function
0x01	Read 1s Section	×	×	Verify that a given number of program flash locations from a starting address are erased.
0x02	Program Check	×	×	Tests previously-programmed locations at margin read levels.
0x03	Read Resource	IFR, ID	IFR	Read 4 bytes from program flash IFR or version ID.
0x06	Program Longword	×	×	Program 4 bytes in a program flash block.
0x08	Erase Flash Block	×	×	Erase a program flash block. An erase of any flash block is only possible when unprotected.
0x09	Erase Flash Sector	×	×	Erase all bytes in a program flash sector.
0x40	Read 1s All Blocks	×	×	Verify that all program flash blocks are erased then release MCU security.
0x41	Read Once	IFR		Read 4 bytes of a dedicated 64 byte field in the program flash 0 IFR.
0x43	Program Once	IFR		One-time program of 4 bytes of a dedicated 64-byte field in the program flash 0 IFR.
0x44	Erase All Blocks	×	×	Erase all program flash blocks. Then, verify-erase and release MCU security. NOTE: An erase is only possible when all memory locations are unprotected.
0x45	Verify Backdoor Access Key	×	×	Release MCU security after comparing a set of user-supplied security keys to those stored in the program flash.

Table continues on the next page...

FCMD	Command	Program flash 0	Program flash 1	Function
0x49	Erase All Blocks Unsecure	×	×	Erase all program flash blocks, verify-erase, program security byte to unsecure state, release MCU security.

45.4.8.3 Flash Commands by Mode

The following table shows the flash commands that can be executed in each flash operating mode.

Table 45-2. Flash Commands by Mode

FCMD	Command	NVM Normal			NVM Special		
		Unsecure	Secure	MEEN=10	UFnsecure	Secure	MEEN=10
0x00	Read 1s Block	×	×	×	×	—	—
0x01	Read 1s Section	×	×	×	×	—	—
0x02	Program Check	×	×	×	×	—	—
0x03	Read Resource	×	×	×	×	—	—
0x06	Program Longword	×	×	×	×	—	—
0x08	Erase Flash Block	×	×	×	×	—	—
0x09	Erase Flash Sector	×	×	×	×	—	—
0x40	Read 1s All Blocks	×	×	×	×	×	—
0x41	Read Once	×	×	×	×	—	—
0x43	Program Once	×	×	×	×	—	—
0x44	Erase All Blocks	×	×	×	×	×	—
0x45	Verify Backdoor Access Key	×	×	×	×	—	—
0x49	Erase All Blocks Unsecure	×	×	×	×	×	—

45.4.8.4 Allowed Simultaneous Flash Operations

Only the operations marked 'OK' in the following table are permitted to run simultaneously on the program flash memories. Some operations cannot be executed simultaneously because certain hardware resources are shared by the memories.

Table 45-3. Allowed Simultaneous Memory Operations

		Program Flash 0			Program Flash 1		
		Read	Program	Sector Erase	Read	Program	Sector Erase
Program flash 0	Read	—				OK	OK
	Program		—		OK		
	Sector Erase			—	OK		
Program flash 1	Read		OK	OK	—		
	Program	OK				—	
	Sector Erase	OK					—

45.4.9 Margin Read Commands

The Read-1s commands (Read 1s All Blocks, Read 1s Block, Read 1s Section) and the Program Check command have a margin choice parameter that allows the user to apply non-standard read reference levels to the program flash array reads performed by these commands. Using the preset 'user' and 'factory' margin levels, these commands perform their associated read operations at tighter tolerances than a 'normal' read. These non-standard read levels are applied only during the command execution. Basic flash array reads use the standard, un-margined, read reference level.

Only the 'normal' read level should be employed during normal flash usage. The non-standard, 'user' and 'factory' margin levels should be employed only in special cases. They can be used during special diagnostic routines to gain confidence that the device is not suffering from the end-of-life data loss customary of flash memory devices.

Erased ('1') and programmed ('0') bit states can degrade due to elapsed time and data cycling (number of times a bit is erased and re-programmed). The lifetime of the erased states is relative to the last erase operation. The lifetime of the programmed states is measured from the last program time.

The 'user' and 'factory' levels become, in effect, a minimum safety margin; i.e. if the reads pass at the tighter tolerances of the 'user' and 'factory' margins, then the 'normal' reads have at least this much safety margin before they experience data loss.

The 'user' margin is a small delta to the normal read reference level. 'User' margin levels can be employed to check that flash memory contents have adequate margin for normal level read operations. If unexpected read results are encountered when checking flash memory contents at the 'user' margin levels, loss of information might soon occur during 'normal' readout.

The 'factory' margin is a bigger deviation from the norm, a more stringent read criteria that should only be attempted immediately (or very soon) after completion of an erase or program command, early in the cycling life. 'Factory' margin levels can be used to check that flash memory contents have adequate margin for long-term data retention at the normal level setting. If unexpected results are encountered when checking flash memory contents at 'factory' margin levels, the flash memory contents should be erased and reprogrammed.

CAUTION

Factory margin levels must only be used during verify of the initial factory programming.

45.4.10 Flash Command Description

This section describes all flash commands that can be launched by a command write sequence.

The flash memory module sets the FSTAT[ACCERR] bit and aborts the command execution if any of the following illegal conditions occur:

- There is an unrecognized command code in the FCCOB FCMD field.
- There is an error in a FCCOB field for the specific commands. Refer to the error handling table provided for each command.

Ensure that FSTAT[ACCERR] and FSTAT[FPVIOL] are cleared prior to starting the command write sequence. As described in [Launch the Command by Clearing CCIF](#), a new command cannot be launched while these error flags are set.

Do not attempt to read a flash block while the flash memory module is running a command (FSTAT[CCIF] = 0) on that same block. The flash memory module may return invalid data to the MCU with the collision error flag (FSTAT[RDCOLERR]) set.

CAUTION

Flash data must be in the erased state before being programmed. Cumulative programming of bits (adding more zeros) is not allowed.

45.4.10.1 Read 1s Block Command

The Read 1s Block command checks to see if an entire program flash block has been erased to the specified margin level. The FCCOB flash address bits determine which flash block is erase-verified.

Table 45-4. Read 1s Block Command FCCOB Requirements

FCCOB Number	FCCOB Contents [7:0]
0	0x00 (RD1BLK)
1	Flash address [23:16] in the flash block to be verified
2	Flash address [15:8] in the flash block to be verified
3	Flash address [7:0] ¹ in the flash block to be verified
4	Read-1 Margin Choice

1. Must be longword aligned (Flash address [1:0] = 00).

After clearing CCIF to launch the Read 1s Block command, the flash memory module sets the read margin for 1s according to [Table 45-5](#) and then reads all locations within the selected program flash block.

Table 45-5. Margin Level Choices for Read 1s Block

Read Margin Choice	Margin Level Description
0x00	Use the 'normal' read level for 1s
0x01	Apply the 'User' margin to the normal read-1 level
0x02	Apply the 'Factory' margin to the normal read-1 level

Table 45-6. Read 1s Block Command Error Handling

Error Condition	Error Bit
Command not available in current mode/security	FSTAT[ACCERR]
An invalid margin choice is specified	FSTAT[ACCERR]
Program flash is selected and the address is out of program flash range	FSTAT[ACCERR]
Flash address is not longword aligned	FSTAT[ACCERR]
Read-1s fails	FSTAT[MGSTAT0]

45.4.10.2 Read 1s Section Command

The Read 1s Section command checks if a section of program flash memory is erased to the specified read margin level. The Read 1s Section command defines the starting address and the number of longwords to be verified.

Table 45-7. Read 1s Section Command FCCOB Requirements

FCCOB Number	FCCOB Contents [7:0]
0	0x01 (RD1SEC)
1	Flash address [23:16] of the first longword to be verified
2	Flash address [15:8] of the first longword to be verified
3	Flash address [7:0] ¹ of the first longword to be verified
4	Number of longwords to be verified [15:8]
5	Number of longwords to be verified [7:0]
6	Read-1 Margin Choice

1. Must be longword aligned (Flash address [1:0] = 00).

Upon clearing CCIF to launch the Read 1s Section command, the flash memory module sets the read margin for 1s according to [Table 45-8](#) and then reads all locations within the specified section of flash memory. If the flash memory module fails to read all 1s (that is, the flash section is not erased), FSTAT[MGSTAT0] is set. FSTAT[CCIF] sets after the Read 1s Section operation completes.

Table 45-8. Margin Level Choices for Read 1s Section

Read Margin Choice	Margin Level Description
0x00	Use the 'normal' read level for 1s
0x01	Apply the 'User' margin to the normal read-1 level
0x02	Apply the 'Factory' margin to the normal read-1 level

Table 45-9. Read 1s Section Command Error Handling

Error condition	Error bit
Command not available in current mode/security	FSTAT[ACCERR]
An invalid margin code is supplied.	FSTAT[ACCERR]
An invalid flash address is supplied.	FSTAT[ACCERR]
Flash address is not longword aligned.	FSTAT[ACCERR]
The requested section crosses a Flash block boundary.	FSTAT[ACCERR]
The requested number of longwords is 0.	FSTAT[ACCERR]
Read-1s fails.	FSTAT[MGSTAT0]

45.4.10.3 Program Check Command

The Program Check command tests a previously programmed program flash longword to see if it reads correctly at the specified margin level.

Table 45-10. Program Check Command FCCOB Requirements

FCCOB Number	FCCOB Contents [7:0]
0	0x02 (PGMCHK)
1	Flash address [23:16]
2	Flash address [15:8]
3	Flash address [7:0] ¹
4	Margin Choice
8	Byte 0 expected data
9	Byte 1 expected data
A	Byte 2 expected data
B	Byte 3 expected data

1. Must be longword aligned (Flash address [1:0] = 00).

Upon clearing CCIF to launch the Program Check command, the flash memory module sets the read margin for 1s according to [Table 45-11](#), reads the specified longword, and compares the actual read data to the expected data provided by the FCCOB. If the comparison at margin-1 fails, FSTAT[MGSTAT0] is set.

The flash memory module then sets the read margin for 0s, re-reads, and compares again. If the comparison at margin-0 fails, FSTAT[MGSTAT0] is set. FSTAT[CCIF] is set after the Program Check operation completes.

The supplied address must be longword aligned (the lowest two bits of the byte address must be 00):

- Byte 3 data is written to the supplied byte address ('start'),
- Byte 2 data is programmed to byte address start+0b01,
- Byte 1 data is programmed to byte address start+0b10,
- Byte 0 data is programmed to byte address start+0b11.

NOTE

See the description of margin reads, [Margin Read Commands](#)

Table 45-11. Margin Level Choices for Program Check

Read Margin Choice	Margin Level Description
0x01	Read at 'User' margin-1 and 'User' margin-0
0x02	Read at 'Factory' margin-1 and 'Factory' margin-0

Table 45-12. Program Check Command Error Handling

Error Condition	Error Bit
Command not available in current mode/security	FSTAT[ACCERR]
An invalid flash address is supplied	FSTAT[ACCERR]

Table continues on the next page...

Table 45-12. Program Check Command Error Handling (continued)

Error Condition	Error Bit
Flash address is not longword aligned	FSTAT[ACCERR]
An invalid margin choice is supplied	FSTAT[ACCERR]
Either of the margin reads does not match the expected data	FSTAT[MGSTAT0]

45.4.10.4 Read Resource Command

The Read Resource command allows the user to read data from special-purpose memory resources located within the flash memory module. The special-purpose memory resources available include program flash IFR space and the Version ID field. Each resource is assigned a select code as shown in [Table 45-14](#).

Table 45-13. Read Resource Command FCCOB Requirements

FCCOB Number	FCCOB Contents [7:0]
0	0x03 (RDRSRC)
1	Flash address [23:16]
2	Flash address [15:8]
3	Flash address [7:0] ¹
Returned Values	
4	Read Data [31:24]
5	Read Data [23:16]
6	Read Data [15:8]
7	Read Data [7:0]
User-provided values	
8	Resource Select Code (see Table 45-14)

1. Must be longword aligned (Flash address [1:0] = 00).

Table 45-14. Read Resource Select Codes

Resource Select Code	Description	Resource Size	Local Address Range
0x00	Program Flash 0 IFR	256 Bytes	0x00_0000–0x00_00FF
0x01 ¹	Version ID	8 Bytes	0x00_0000–0x00_0007

1. Located in program flash 0 reserved space.

Functional Description

After clearing CCIF to launch the Read Resource command, four consecutive bytes are read from the selected resource at the provided relative address and stored in the FCCOB register. The CCIF flag sets after the Read Resource operation completes. The Read Resource command exits with an access error if an invalid resource code is provided or if the address for the applicable area is out-of-range.

Table 45-15. Read Resource Command Error Handling

Error Condition	Error Bit
Command not available in current mode/security	FSTAT[ACCERR]
An invalid resource code is entered	FSTAT[ACCERR]
Flash address is out-of-range for the targeted resource.	FSTAT[ACCERR]
Flash address is not longword aligned	FSTAT[ACCERR]

45.4.10.5 Program Longword Command

The Program Longword command programs four previously-erased bytes in the program flash memory using an embedded algorithm.

CAUTION

A flash memory location must be in the erased state before being programmed. Cumulative programming of bits (back-to-back program operations without an intervening erase) within a flash memory location is not allowed. Re-programming of existing 0s to 0 is not allowed as this overstresses the device.

Table 45-16. Program Longword Command FCCOB Requirements

FCCOB Number	FCCOB Contents [7:0]
0	0x06 (PGM4)
1	Flash address [23:16]
2	Flash address [15:8]
3	Flash address [7:0] ¹
4	Byte 0 program value
5	Byte 1 program value
6	Byte 2 program value
7	Byte 3 program value

1. Must be longword aligned (Flash address [1:0] = 00).

Upon clearing CCIF to launch the Program Longword command, the flash memory module programs the data bytes into the flash using the supplied address. The targeted flash locations must be currently unprotected (see the description of the FPROT registers) to permit execution of the Program Longword operation.

The programming operation is unidirectional. It can only move NVM bits from the erased state ('1') to the programmed state ('0'). Erased bits that fail to program to the '0' state are flagged as errors in FSTAT[MGSTAT0]. The CCIF flag is set after the Program Longword operation completes.

The supplied address must be longword aligned (flash address [1:0] = 00):

- Byte 3 data is written to the supplied byte address ('start'),
- Byte 2 data is programmed to byte address start+0b01,
- Byte 1 data is programmed to byte address start+0b10, and
- Byte 0 data is programmed to byte address start+0b11.

Table 45-17. Program Longword Command Error Handling

Error Condition	Error Bit
Command not available in current mode/security	FSTAT[ACCERR]
An invalid flash address is supplied	FSTAT[ACCERR]
Flash address is not longword aligned	FSTAT[ACCERR]
Flash address points to a protected area	FSTAT[FPVIOL]
Any errors have been encountered during the verify operation	FSTAT[MGSTAT0]

45.4.10.6 Erase Flash Block Command

The Erase Flash Block operation erases all addresses in a single program flash.

Table 45-18. Erase Flash Block Command FCCOB Requirements

FCCOB Number	FCCOB Contents [7:0]
0	0x08 (ERSBLK)
1	Flash address [23:16] in the flash block to be erased
2	Flash address [15:8] in the flash block to be erased
3	Flash address [7:0] ¹ in the flash block to be erased

1. Must be longword aligned (Flash address [1:0] = 00).

Upon clearing CCIF to launch the Erase Flash Block command, the flash memory module erases the main array of the selected flash block and verifies that it is erased. The Erase Flash Block command aborts and sets the FSTAT[FPVIOL] bit if any region

Functional Description

within the block is protected (see the description of the FPROT registers). If the erase verify fails, FSTAT[MGSTAT0] is set. The CCIF flag will set after the Erase Flash Block operation has completed.

Table 45-19. Erase Flash Block Command Error Handling

Error Condition	Error Bit
Command not available in current mode/security	FSTAT[ACCERR]
Program flash is selected and the address is out of program flash range	FSTAT[ACCERR]
Flash address is not longword aligned	FSTAT[ACCERR]
Any area of the selected flash block is protected	FSTAT[FPVIOL]
Any errors have been encountered during the verify operation ¹	FSTAT[MGSTAT0]

1. User margin read may be run using the Read 1s Block command to verify all bits are erased.

45.4.10.7 Erase Flash Sector Command

The Erase Flash Sector operation erases all addresses in a flash sector.

Table 45-20. Erase Flash Sector Command FCCOB Requirements

FCCOB Number	FCCOB Contents [7:0]
0	0x09 (ERSSCR)
1	Flash address [23:16] in the flash sector to be erased
2	Flash address [15:8] in the flash sector to be erased
3	Flash address [7:0] ¹ in the flash sector to be erased

1. Must be longword aligned (flash address [1:0] = 00).

After clearing CCIF to launch the Erase Flash Sector command, the flash memory module erases the selected program flash sector and then verifies that it is erased. The Erase Flash Sector command aborts if the selected sector is protected (see the description of the FPROT registers). If the erase-verify fails the FSTAT[MGSTAT0] bit is set. The CCIF flag is set after the Erase Flash Sector operation completes. The Erase Flash Sector command is suspendable (see the FCNFG[ERSSUSP] bit and [Figure 45-4](#)).

Table 45-21. Erase Flash Sector Command Error Handling

Error Condition	Error Bit
Command not available in current mode/security	FSTAT[ACCERR]
An invalid Flash address is supplied	FSTAT[ACCERR]
Flash address is not longword aligned	FSTAT[ACCERR]
The selected program flash sector is protected	FSTAT[FPVIOL]
Any errors have been encountered during the verify operation ¹	FSTAT[MGSTAT0]

1. User margin read may be run using the Read 1s Section command to verify all bits are erased.

45.4.10.7.1 Suspending an Erase Flash Sector Operation

To suspend an Erase Flash Sector operation set the FCNFG[ERSSUSP] bit when CCIF, ACCERR, and FPVIOL are clear and the CCOB command field holds the code for the Erase Flash Sector command. During the Erase Flash Sector operation (see [Erase Flash Sector Command](#)), the flash memory module samples the state of the ERSSUSP bit at convenient points. If the flash memory module detects that the ERSSUSP bit is set, the Erase Flash Sector operation is suspended and the flash memory module sets CCIF. While ERSSUSP is set, all writes to flash registers are ignored except for writes to the FSTAT and FCNFG registers.

If an Erase Flash Sector operation effectively completes before the flash memory module detects that a suspend request has been made, the flash memory module clears the ERSSUSP bit prior to setting CCIF. When an Erase Flash Sector operation has been successfully suspended, the flash memory module sets CCIF and leaves the ERSSUSP bit set. While CCIF is set, the ERSSUSP bit can only be cleared to prevent the withdrawal of a suspend request before the flash memory module has acknowledged it.

45.4.10.7.2 Resuming a Suspended Erase Flash Sector Operation

If the ERSSUSP bit is still set when CCIF is cleared to launch the next command, the previous Erase Flash Sector operation resumes. The flash memory module acknowledges the request to resume a suspended operation by clearing the ERSSUSP bit. A new suspend request can then be made by setting ERSSUSP. A single Erase Flash Sector operation can be suspended and resumed multiple times.

There is a minimum elapsed time limit of 4.3 msec between the request to resume the Erase Flash Sector operation (CCIF is cleared) and the request to suspend the operation again (ERSSUSP is set). This minimum time period is required to ensure that the Erase Flash Sector operation will eventually complete. If the minimum period is continually violated, i.e. the suspend requests come repeatedly and too quickly, no forward progress is made by the Erase Flash Sector algorithm. The resume/suspend sequence runs indefinitely without completing the erase.

45.4.10.7.3 Aborting a Suspended Erase Flash Sector Operation

The user may choose to abort a suspended Erase Flash Sector operation by clearing the ERSSUSP bit prior to clearing CCIF for the next command launch. When a suspended operation is aborted, the flash memory module starts the new command using the new FCCOB contents.

Note

Aborting the erase leaves the bitcells in an indeterminate, partially-erased state. Data in this sector is not reliable until a new erase command fully completes.

The following figure shows how to suspend and resume the Erase Flash Sector operation.

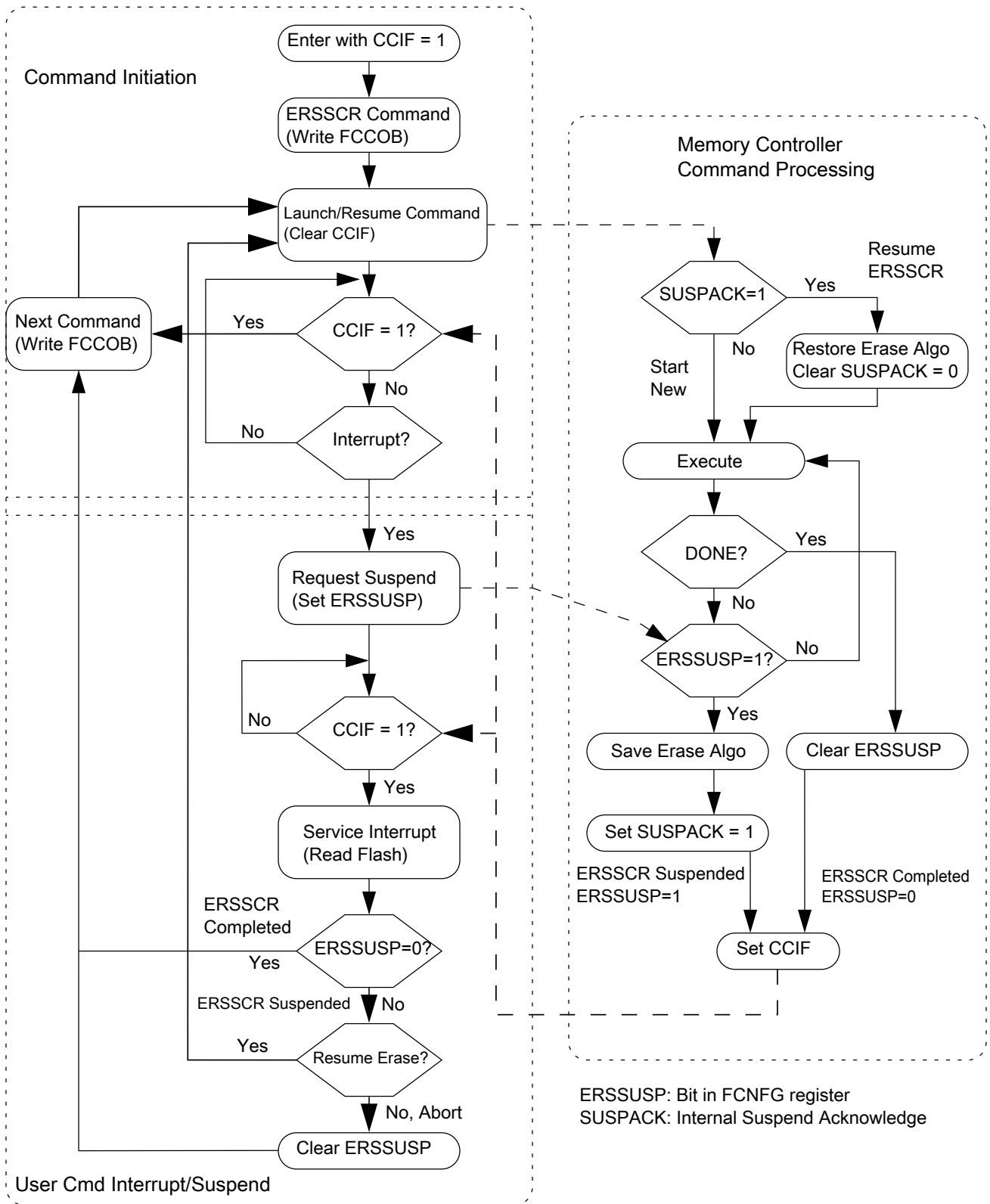


Figure 45-4. Suspend and Resume of Erase Flash Sector Operation

45.4.10.8 Read 1s All Blocks Command

The Read 1s All Blocks command checks if the program flash blocks have been erased to the specified read margin level, if applicable, and releases security if the readout passes, i.e. all data reads as '1'.

Table 45-22. Read 1s All Blocks Command FCCOB Requirements

FCCOB Number	FCCOB Contents [7:0]
0	0x40 (RD1ALL)
1	Read-1 Margin Choice

After clearing CCIF to launch the Read 1s All Blocks command, the flash memory module :

- sets the read margin for 1s according to [Table 45-23](#),
- checks the contents of the program flash are in the erased state.

If the flash memory module confirms that these memory resources are erased, security is released by setting the FSEC[SEC] field to the unsecure state. The security byte in the flash configuration field (see [Flash Configuration Field Description](#)) remains unaffected by the Read 1s All Blocks command. If the read fails, i.e. all memory resources are not in the fully erased state, the FSTAT[MGSTAT0] bit is set.

The CCIF flag sets after the Read 1s All Blocks operation has completed.

Table 45-23. Margin Level Choices for Read 1s All Blocks

Read Margin Choice	Margin Level Description
0x00	Use the 'normal' read level for 1s
0x01	Apply the 'User' margin to the normal read-1 level
0x02	Apply the 'Factory' margin to the normal read-1 level

Table 45-24. Read 1s All Blocks Command Error Handling

Error Condition	Error Bit
An invalid margin choice is specified	FSTAT[ACCERR]
Read-1s fails	FSTAT[MGSTAT0]

45.4.10.9 Read Once Command

The Read Once command provides read access to special 64-byte fields located in the program flash 0 IFR (see [Program Flash IFR Map](#) and [Program Once Field](#)). Access to the Program Once field is via 16 records (index values 0x00 - 0x0F), each 4 bytes long. These fields are programmed using the Program Once command described in [Program Once Command](#).

Table 45-25. Read Once Command FCCOB Requirements

FCCOB Number	FCCOB Contents [7:0]
0	0x41 (RDONCE)
1	Program Once record index (0x00 - 0x0F)
2	Not used
3	Not used
Returned Values	
4	Program Once byte 0 value
5	Program Once byte 1 value
6	Program Once byte 2 value
7	Program Once byte 3 value

After clearing CCIF to launch the Read Once command, a 4-byte Program Once record is read and stored in the FCCOB register. The CCIF flag is set after the Read Once operation completes. Valid record index values for the Read Once command range from 0x00 - 0x0F. During execution of the Read Once command, any attempt to read addresses within the program flash block containing the selected record index returns invalid data. The Read Once command can be executed any number of times.

Table 45-26. Read Once Command Error Handling

Error Condition	Error Bit
Command not available in current mode/security	FSTAT[ACCERR]
An invalid record index is supplied	FSTAT[ACCERR]

45.4.10.10 Program Once Command

The Program Once command enables programming to special 64-byte fields in the program flash 0 IFR (see [Program Flash IFR Map](#) and [Program Once Field](#)). Access to the Program Once field is via 16 records (index values 0x00 - 0x0F), each 4 bytes long. These records can be read using the Read Once command (see [Read Once Command](#)) or using the Read Resource command (see [Read Resource Command](#)). These records can be programmed only once since the program flash 0 IFR cannot be erased.

Table 45-27. Program Once Command FCCOB Requirements

FCCOB Number	FCCOB Contents [7:0]
0	0x43 (PGMONCE)
1	Program Once record index (0x00 - 0x0F)
2	Not Used
3	Not Used
4	Program Once byte 0 value
5	Program Once byte 1 value
6	Program Once byte 2 value
7	Program Once byte 3 value

After clearing CCIF to launch the Program Once command, the flash memory module first verifies that the selected record is erased. If erased, then the selected record is programmed using the values provided. The Program Once command also verifies that the programmed values read back correctly. The CCIF flag is set after the Program Once operation has completed.

Any attempt to program one of these records when the existing value is not Fs (erased) is not allowed. Valid record index values for the Program Once command range from 0x00 - 0x0F. During execution of the Program Once command, any attempt to read addresses within the program flash block containing the selected record index returns invalid data.

Table 45-28. Program Once Command Error Handling

Error Condition	Error Bit
Command not available in current mode/security	FSTAT[ACCERR]
An invalid record index is supplied	FSTAT[ACCERR]
The requested record has already been programmed to a non-FFFF value ¹	FSTAT[ACCERR]
Any errors have been encountered during the verify operation	FSTAT[MGSTAT0]

1. If a Program Once record is initially programmed to 0xFFFF_FFFF, the Program Once command is allowed to execute again on that same record.

45.4.10.11 Erase All Blocks Command

The Erase All Blocks operation erases all flash memory, verifies all memory contents, and releases MCU security.

Table 45-29. Erase All Blocks Command FCCOB Requirements

FCCOB Number	FCCOB Contents [7:0]
0	0x44 (ERSALL)

After clearing CCIF to launch the Erase All Blocks command, the flash memory module erases all program flash memory, then verifies that all are erased.

If the flash memory module verifies that all flash memories were properly erased, security is released by setting the FSEC[SEC] field to the unsecure state. The Erase All Blocks command aborts if any flash region is protected. The security byte and all other contents of the flash configuration field (see [Flash Configuration Field Description](#)) are erased by the Erase All Blocks command. If the erase-verify fails, the FSTAT[MGSTAT0] bit is set. The CCIF flag is set after the Erase All Blocks operation completes.

Table 45-30. Erase All Blocks Command Error Handling

Error Condition	Error Bit
Command not available in current mode/security	FSTAT[ACCERR]
Any region of the program flash memory is protected	FSTAT[FPVIOL]
Any errors have been encountered during the verify operation ¹	FSTAT[MGSTAT0]

1. User margin read may be run using the Read 1s All Blocks command to verify all bits are erased.

45.4.10.11.1 Triggering an Erase All External to the Flash Memory Module

The functionality of the Erase All Blocks/Erase All Blocks Unsecure command is also available in an uncommanded fashion outside of the flash memory. Refer to the device's Chip Configuration details for information on this functionality.

Before invoking the external erase all function, the FSTAT[ACCERR and PVIOL] flags must be cleared and the FCCOB0 register must not contain 0x44. When invoked, the erase-all function erases all program flash memory regardless of the protection settings. If the post-erase verify passes, the routine then releases security by setting the FSEC[SEC] field register to the unsecure state. The security byte in the Flash Configuration Field is also programmed to the unsecure state. The status of the erase-all request is reflected in the FCNFG[ERSAREQ] bit. The FCNFG[ERSAREQ] bit is cleared once the operation completes and the normal FSTAT error reporting is available, except FPVIOL, as described in [Erase All Blocks Command/Erase All Blocks Unsecure Command](#).

45.4.10.12 Verify Backdoor Access Key Command

The Verify Backdoor Access Key command only executes if the mode and security conditions are satisfied (see [Flash Commands by Mode](#)). Execution of the Verify Backdoor Access Key command is further qualified by the FSEC[KEYEN] bits. The Verify Backdoor Access Key command releases security if user-supplied keys in the FCCOB match those stored in the Backdoor Comparison Key bytes of the Flash

Configuration Field (see [Flash Configuration Field Description](#)). The column labelled Flash Configuration Field offset address shows the location of the matching byte in the Flash Configuration Field.

Table 45-31. Verify Backdoor Access Key Command FCCOB Requirements

FCCOB Number	FCCOB Contents [7:0]	Flash Configuration Field Offset Address
0	0x45 (VFYKEY)	
1-3	Not Used	
4	Key Byte 0	0x0_0003
5	Key Byte 1	0x0_0002
6	Key Byte 2	0x0_0001
7	Key Byte 3	0x0_0000
8	Key Byte 4	0x0_0007
9	Key Byte 5	0x0_0006
A	Key Byte 6	0x0_0005
B	Key Byte 7	0x0_0004

After clearing CCIF to launch the Verify Backdoor Access Key command, the flash memory module checks the FSEC[KEYEN] bits to verify that this command is enabled. If not enabled, the flash memory module sets the FSTAT[ACCERR] bit and terminates. If the command is enabled, the flash memory module compares the key provided in FCCOB to the backdoor comparison key in the Flash Configuration Field. If the backdoor keys match, the FSEC[SEC] field is changed to the unsecure state and security is released. If the backdoor keys do not match, security is not released and all future attempts to execute the Verify Backdoor Access Key command are immediately aborted and the FSTAT[ACCERR] bit is (again) set to 1 until a reset of the flash memory module occurs. If the entire 8-byte key is all zeros or all ones, the Verify Backdoor Access Key command fails with an access error. The CCIF flag is set after the Verify Backdoor Access Key operation completes.

Table 45-32. Verify Backdoor Access Key Command Error Handling

Error Condition	Error Bit
The supplied key is all-0s or all-Fs	FSTAT[ACCERR]
An incorrect backdoor key is supplied	FSTAT[ACCERR]
Backdoor key access has not been enabled (see the description of the FSEC register)	FSTAT[ACCERR]
This command is launched and the backdoor key has mismatched since the last power down reset	FSTAT[ACCERR]

45.4.10.13 Erase All Blocks Unsecure Command

The Erase All Blocks Unsecure operation erases all flash memory, verifies all memory contents, programs the security byte in the Flash Configuration Field to the unsecure state, and releases MCU security.

Table 45-33. Erase All Blocks Unsecure Command FCCOB Requirements

FCCOB Number	FCCOB Contents [7:0]
0	0x49 (ERSALLU)

After clearing CCIF to launch the Erase All Blocks Unsecure command, the flash memory module erases all program flash memory, then verifies that all are erased.

If the flash memory module verifies that all program flash memory was properly erased, security is released by setting the FSEC[SEC] field to the unsecure state, and the security byte (see [Flash Configuration Field Description](#)) is programmed to the unsecure state by the Erase All Blocks Unsecure command. If the erase or program verify fails, the FSTAT[MGSTAT0] bit is set. The CCIF flag is set after the Erase All Blocks Unsecure operation completes.

Table 45-34. Erase All Blocks Unsecure Command Error Handling

Error Condition	Error Bit
Command not available in current mode/security	FSTAT[ACCERR]
Any errors have been encountered during erase or program verify operations	FSTAT[MGSTAT0]

45.4.11 Security

The flash memory module provides security information to the MCU based on contents of the FSEC security register.

The MCU then limits access to flash memory resources as defined in the device's Chip Configuration details. During reset, the flash memory module initializes the FSEC register using data read from the security byte of the Flash Configuration Field (see [Flash Configuration Field Description](#)).

The following fields are available in the FSEC register. The settings are described in the [Flash Security Register \(FTFA_FSEC\)](#) details.

Flash security features are discussed further in [AN4507: Using the Kinetis Security and Flash Protection Features](#). Note that not all features described in the application note are available on this device.

Table 45-35. FSEC register fields

FSEC field	Description
KEYEN	Backdoor Key Access
MEEN	Mass Erase Capability
FSLACC	Factory Security Level Access
SEC	MCU security

45.4.11.1 Flash Memory Access by Mode and Security

The following table summarizes how access to the flash memory module is affected by security and operating mode.

Table 45-36. Flash Memory Access Summary

Operating Mode	Chip Security State	
	Unsecure	Secure
NVM Normal	Full command set	
NVM Special	Full command set	Only the Erase All Blocks, Erase All Blocks Unsecure and Read 1s All Blocks commands.

45.4.11.2 Changing the Security State

The security state out of reset can be permanently changed by programming the security byte of the flash configuration field. This assumes that you are starting from a mode where the necessary program flash erase and program commands are available and that the region of the program flash containing the flash configuration field is unprotected. If the flash security byte is successfully programmed, its new value takes affect after the next chip reset.

45.4.11.2.1 Unsecuring the Chip Using Backdoor Key Access

The chip can be unsecured by using the backdoor key access feature, which requires knowledge of the contents of the 8-byte backdoor key value stored in the Flash Configuration Field (see [Flash Configuration Field Description](#)). If the FSEC[KEYEN] bits are in the enabled state, the Verify Backdoor Access Key command (see [Verify Backdoor Access Key Command](#)) can be run; it allows the user to present prospective keys for comparison to the stored keys. If the keys match, the FSEC[SEC] bits are changed to unsecure the chip. The entire 8-byte key cannot be all 0s or all 1s; that is,

0000_0000_0000_0000h and FFFF_FFFF_FFFF_FFFFh are not accepted by the Verify Backdoor Access Key command as valid comparison values. While the Verify Backdoor Access Key command is active, program flash memory is not available for read access and returns invalid data.

The user code stored in the program flash memory must have a method of receiving the backdoor keys from an external stimulus. This external stimulus would typically be through one of the on-chip serial ports.

If the KEYEN bits are in the enabled state, the chip can be unsecured by the following backdoor key access sequence:

1. Follow the command sequence for the Verify Backdoor Access Key command as explained in [Verify Backdoor Access Key Command](#)
2. If the Verify Backdoor Access Key command is successful, the chip is unsecured and the FSEC[SEC] bits are forced to the unsecure state

An illegal key provided to the Verify Backdoor Access Key command prohibits further use of the Verify Backdoor Access Key command. A reset of the chip is the only method to re-enable the Verify Backdoor Access Key command when a comparison fails.

After the backdoor keys have been correctly matched, the chip is unsecured by changing the FSEC[SEC] bits. A successful execution of the Verify Backdoor Access Key command changes the security in the FSEC register only. It does not alter the security byte or the keys stored in the Flash Configuration Field ([Flash Configuration Field Description](#)). After the next reset of the chip, the security state of the flash memory module reverts back to the flash security byte in the Flash Configuration Field. The Verify Backdoor Access Key command sequence has no effect on the program and erase protections defined in the program flash protection registers.

If the backdoor keys successfully match, the unsecured chip has full control of the contents of the Flash Configuration Field. The chip may erase the sector containing the Flash Configuration Field and reprogram the flash security byte to the unsecure state and change the backdoor keys to any desired value.

45.4.12 Reset Sequence

On each system reset the flash memory module executes a sequence which establishes initial values for the flash block configuration parameters, FPROT, FOPT, and FSEC registers.

Functional Description

FSTAT[CCIF] is cleared throughout the reset sequence. The flash memory module holds off CPU access during the reset sequence. Flash reads are possible when the hold is removed. Completion of the reset sequence is marked by setting CCIF which enables flash user commands.

If a reset occurs while any flash command is in progress, that command is immediately aborted. The state of the word being programmed or the sector/block being erased is not guaranteed. Commands and operations do not automatically resume after exiting reset.

Appendix A

Release Notes for Revision 2

A.1 Release Notes for Revision 2

Table A-1. Revision History

Chapter	Chapter Name	Substantial Changes
Chapter 10	Pinouts and Packaging	<ul style="list-style-type: none">• Updated chapter title to "Signal Multiplexing and Signal Descriptions" from "Pinouts and Packaging".• Updated values in "Default" column for pins 1, 2, 9, 10, 49-52 in K32 L2B Signal Multiplexing and Pin Assignments (LQFP and MAPBGA).• Added EXTRG_IN signal in TPM signal descriptions and in Table 10-24. FlexIO signal descriptions table in Communication interfaces.
Chapter 11	Port Control and Interrupts (PORT)	<ul style="list-style-type: none">• Updated Port control and interrupt summary to add PTA20=ALT7 for PORTA for the "Pin mux at reset row" feature.• Updated references for reset values in the notes of Pin Control Register n (PORTx_PCRn) register.



How to Reach Us:**Home Page:**nxp.com**Web Support:**nxp.com/support

Information in this document is provided solely to enable system and software implementers to use NXP products. There are no express or implied copyright licenses granted hereunder to design or fabricate any integrated circuits based on the information in this document. NXP reserves the right to make changes without further notice to any products herein.

NXP makes no warranty, representation, or guarantee regarding the suitability of its products for any particular purpose, nor does NXP assume any liability arising out of the application or use of any product or circuit, and specifically disclaims any and all liability, including without limitation consequential or incidental damages. "Typical" parameters that may be provided in NXP data sheets and/or specifications can and do vary in different applications, and actual performance may vary over time. All operating parameters, including "typicals," must be validated for each customer application by customer's technical experts. NXP does not convey any license under its patent rights nor the rights of others. NXP sells products pursuant to standard terms and conditions of sale, which can be found at the following address: nxp.com/SalesTermsandConditions.

While NXP has implemented advanced security features, all products may be subject to unidentified vulnerabilities. Customers are responsible for the design and operation of their applications and products to reduce the effect of these vulnerabilities on customer's applications and products, and NXP accepts no liability for any vulnerability that is discovered. Customers should implement appropriate design and operating safeguards to minimize the risks associated with their applications and products.

NXP, the NXP logo, NXP SECURE CONNECTIONS FOR A SMARTER WORLD, COOLFLUX, EMBRACE, GREENCHIP, HITAG, I2C BUS, ICODE, JCOP, LIFE VIBES, MIFARE, MIFARE CLASSIC, MIFARE DESFire, MIFARE PLUS, MIFARE FLEX, MANTIS, MIFARE ULTRALIGHT, MIFARE4MOBILE, MIGLO, NTAG, ROADLINK, SMARTLX, SMARTMX, STARPLUG, TOPFET, TRENCHMOS, UCODE, Freescale, the Freescale logo, AltiVec, C-5, CodeTEST, CodeWarrior, ColdFire, ColdFire+, C-Ware, the Energy Efficient Solutions logo, Kinetis, Layerscape, MagniV, mobileGT, PEG, PowerQUICC, Processor Expert, QorIQ, QorIQ Qonverge, Ready Play, SafeAssure, the SafeAssure logo, StarCore, Symphony, VortiQa, Vybrid, Airfast, BeeKit, BeeStack, CoreNet, Flexis, MXC, Platform in a Package, QUICC Engine, SMARTMOS, Tower, TurboLink, UMEMS, eIQ, Immersiv3D, EdgeLock, and EdgeScale are trademarks of NXP B.V. All other product or service names are the property of their respective owners. AMBA, Arm, Arm7, Arm7TDMI, Arm9, Arm11, Artisan, big.LITTLE, Cordio, CoreLink, CoreSight, Cortex, DesignStart, DynamIQ, Jazelle, Keil, Mali, Mbed, Mbed Enabled, NEON, POP, RealView, SecurCore, Socrates, Thumb, TrustZone, ULINK, ULINK2, ULINK-ME, ULINK-PLUS, ULINKpro, μ Vision, Versatile are trademarks or registered trademarks of Arm Limited (or its subsidiaries) in the US and/or elsewhere. The related technology may be protected by any or all of patents, copyrights, designs and trade secrets. All rights reserved. Oracle and Java are registered trademarks of Oracle and/or its affiliates. The Power Architecture and Power.org word marks and the Power and Power.org logos and related marks are trademarks and service marks licensed by Power.org.

© 2019 NXP B.V.