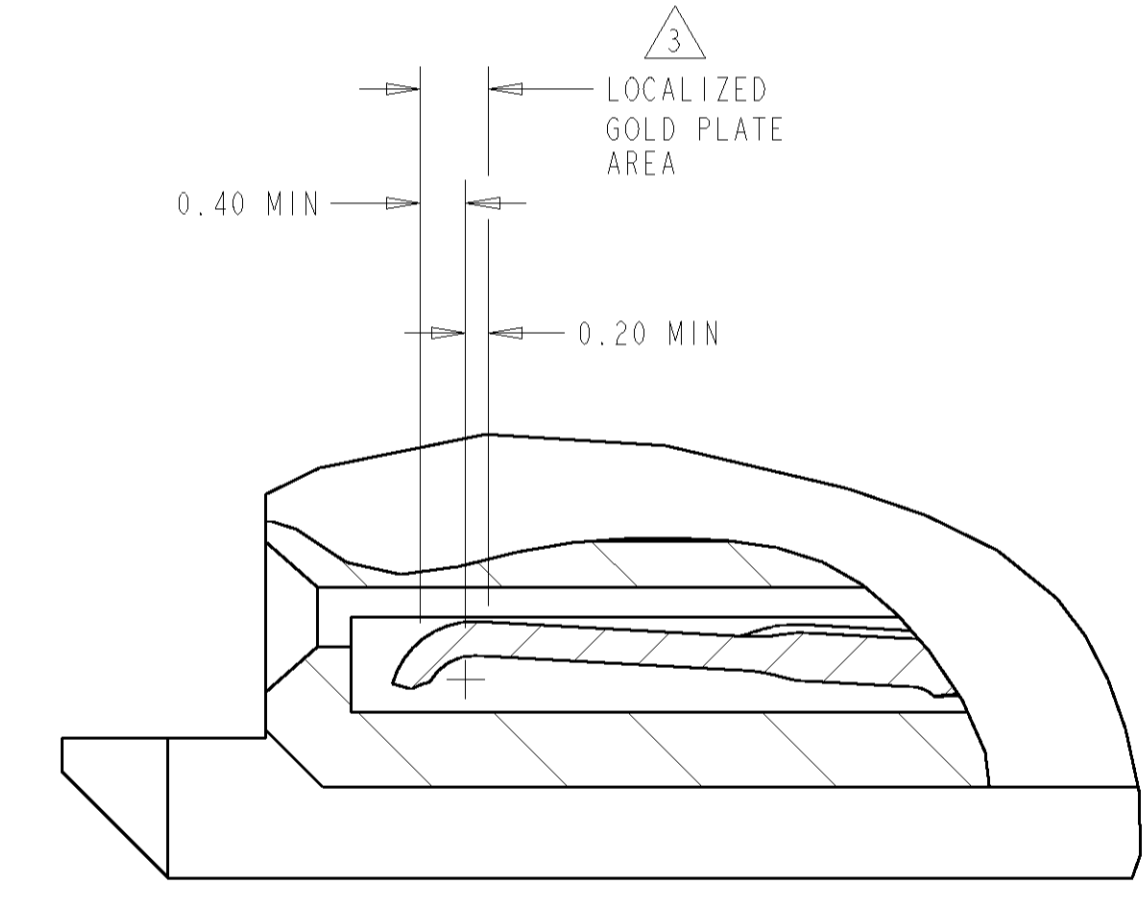
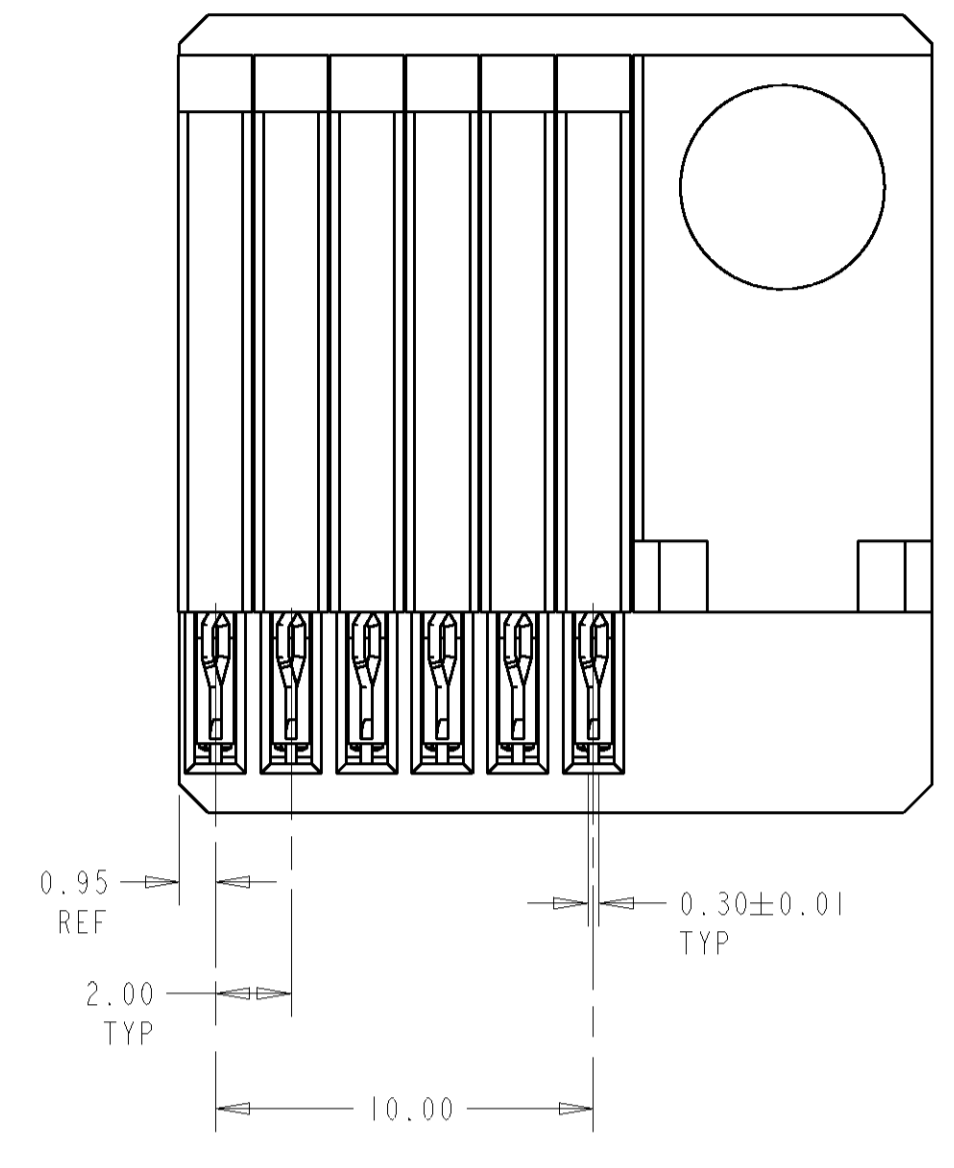
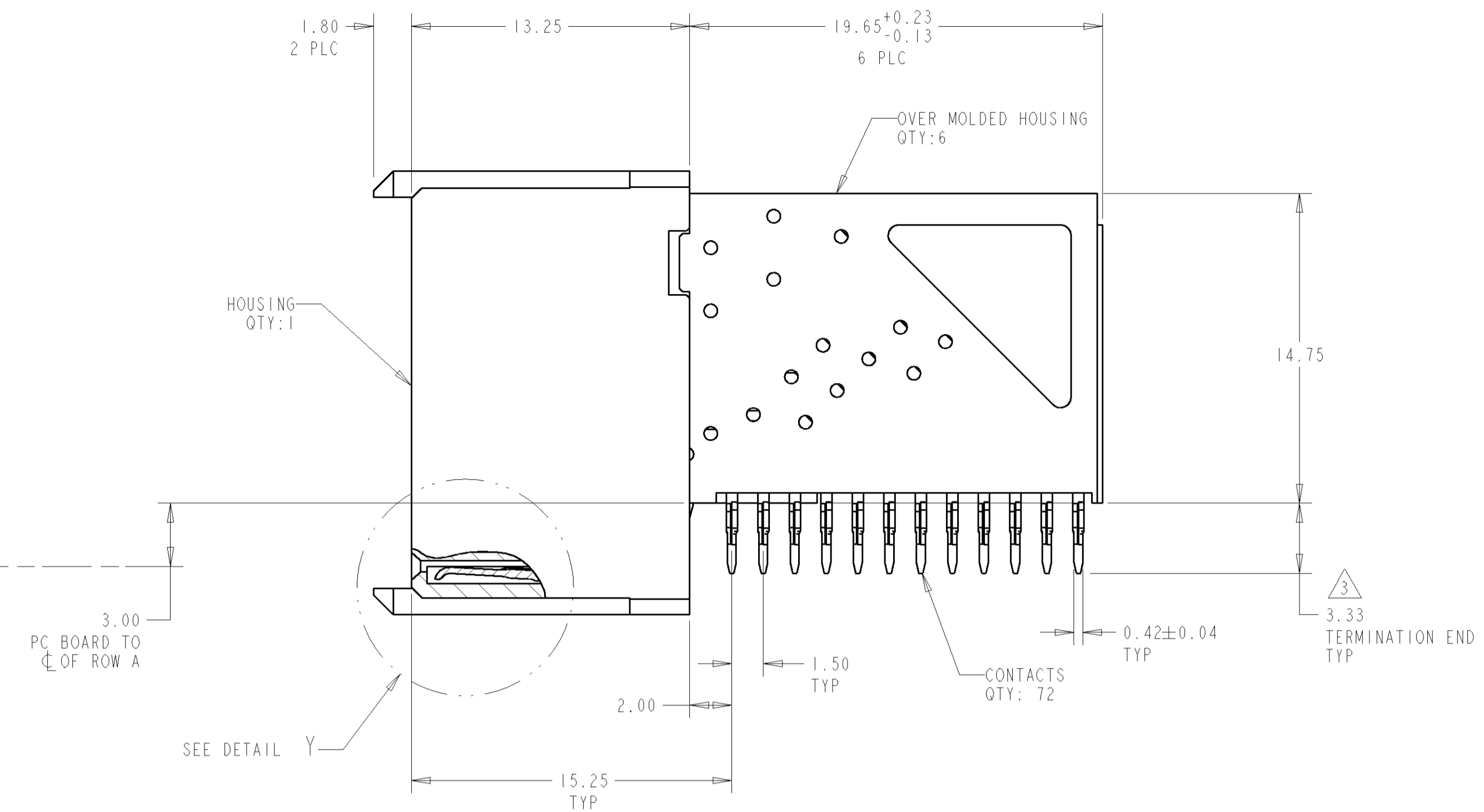
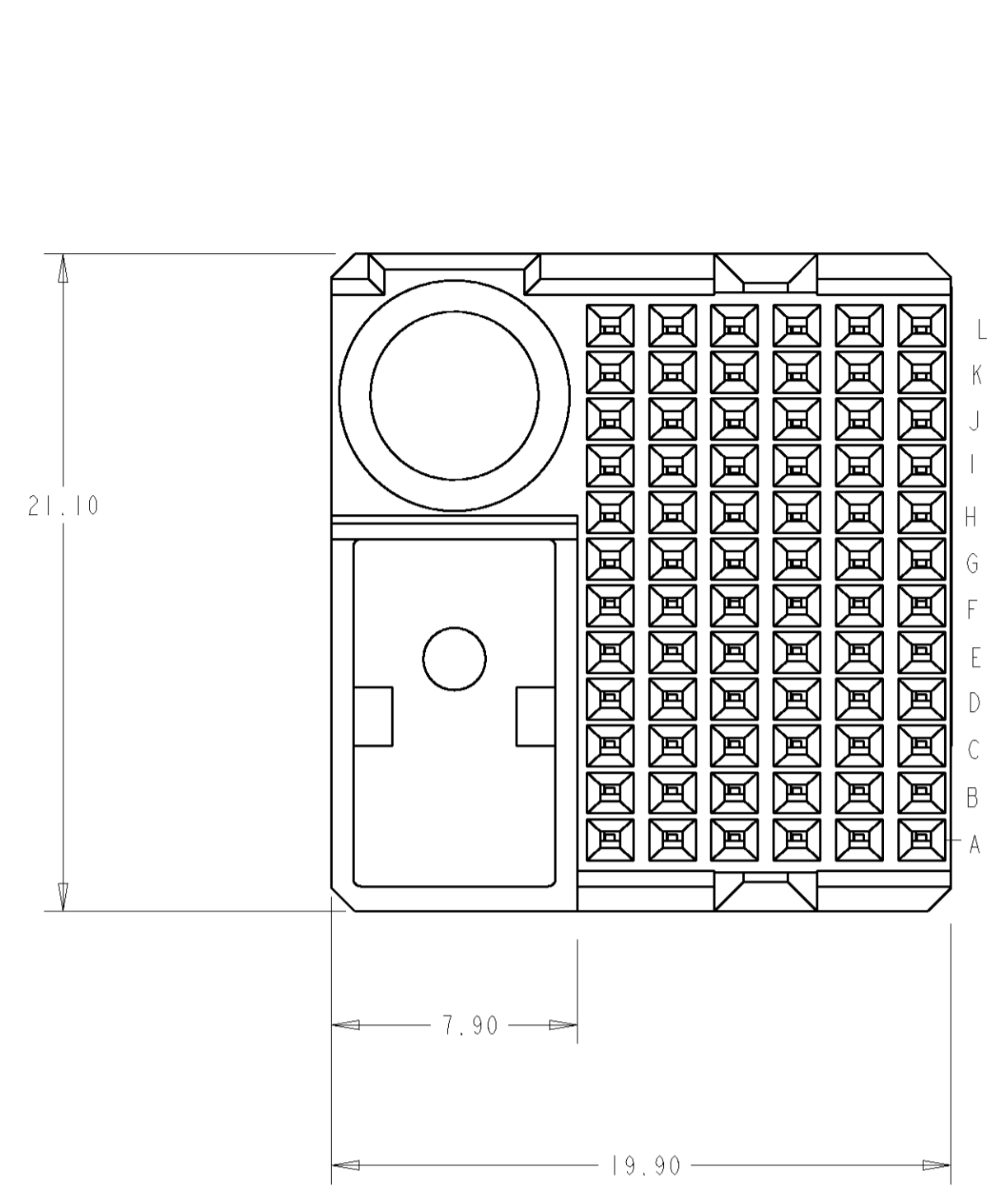
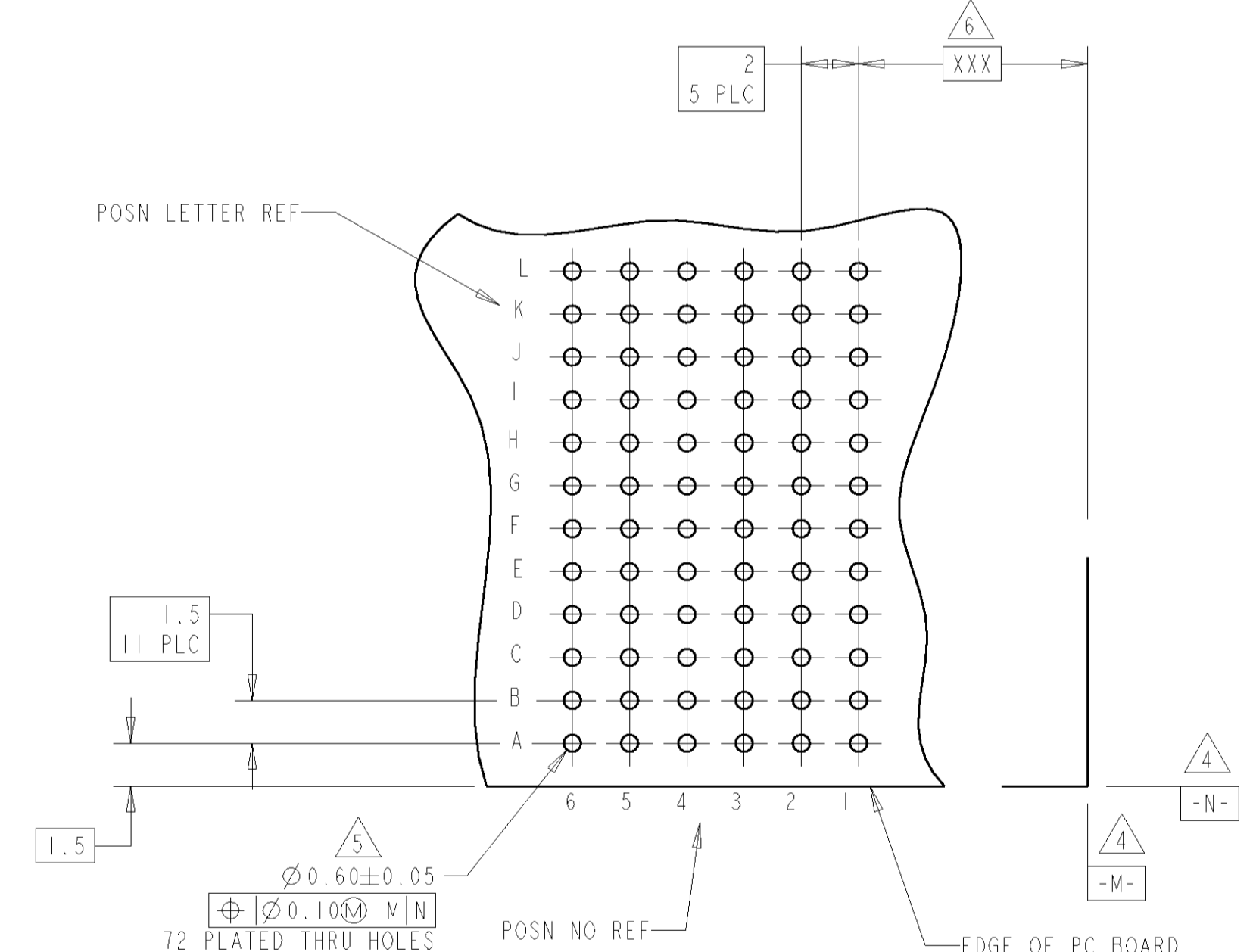
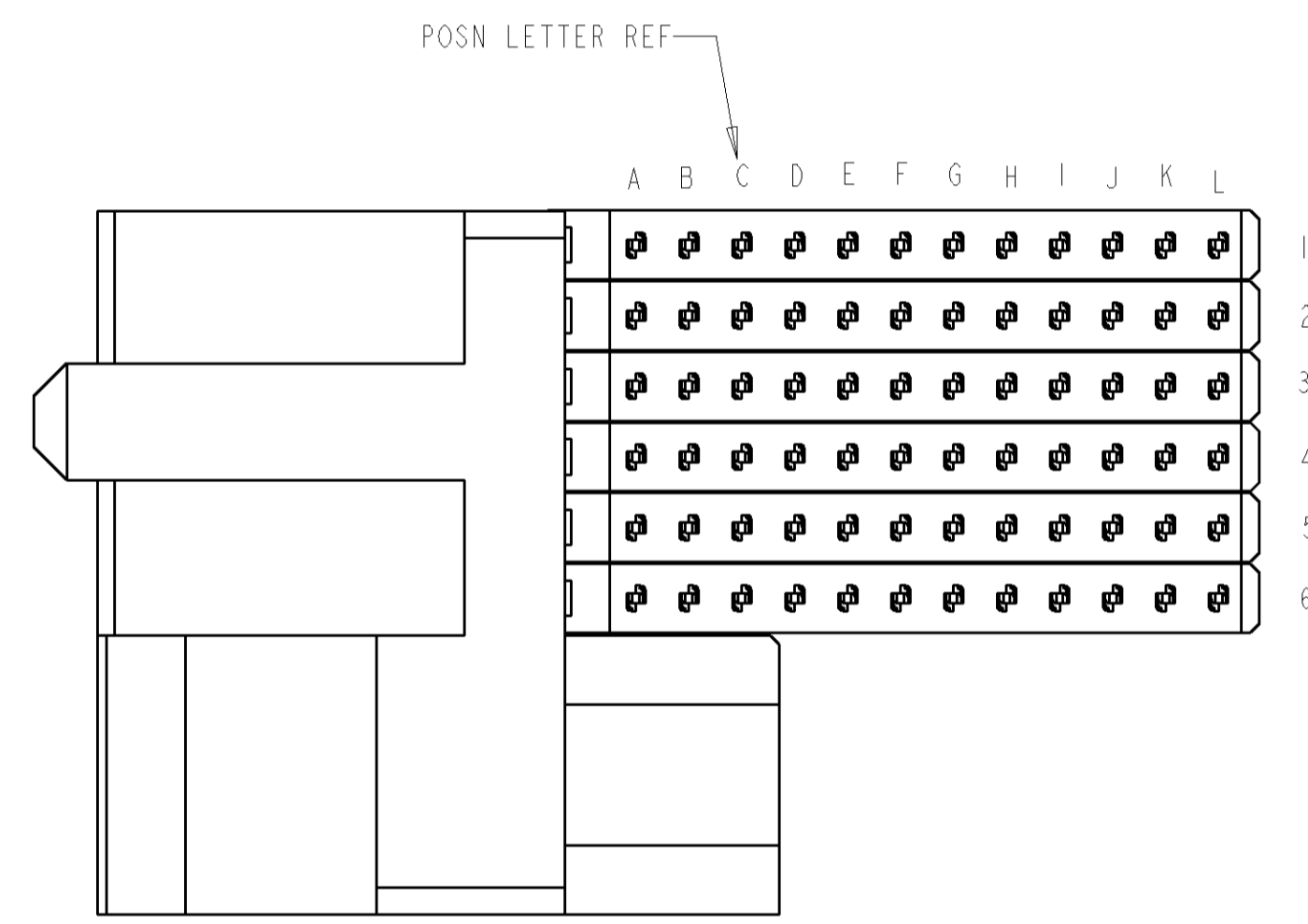


REVISONS		DATE	DWN	APVD
P	LTR	DESCRIPTION		
0	REV PER EC	0512-0319-04	01JUN2005	BC GS
A	REV PER EC	0512-0302-05	13DEC2005	BC GS



DETAIL Y
SCALE 15:1
TYPICAL



RECOMMENDED
PRINTED CIRCUIT BOARD
LAYOUT
RECOMMENDED PRINTED CIRCUIT BOARD
THICKNESS 1.27
COMPONENT SIDE OF PRINTED CIRCUIT BOARD

- 1 GLASS FILLED POLYESTER, BLACK
- 2 PHOSPHOR BRONZE
- 3 CONFORMS TO ALL TESTING ACCORDING TO IEC 61076-4-101 PERFORMANCE LEVEL 2.
- 4 DATUMS ESTABLISHED BY CUSTOMER.
- 5 DRILLED HOLE DIAMETER 0.700±0.025
COPPER THK 0.025-0.05
TIN THICKNESS 0.004-0.01
- 6 DIMENSION ESTABLISHED BY CUSTOMER.
- 7 GENERAL PLATING SPECIFICATION: UNDERPLATING (ENTIRE CONTACT); 1.27µm MIN NICKEL AND ACTION PIN; 0.5µm MIN TIN FOR PLATING OF MATING SURFACES SEE APPLICABLE SPECIFICATION REFERENCE FOR EACH DASH NUMBER.

5120640-1
PART NUMBER

DIMENSIONS:		TOLERANCES UNLESS OTHERWISE SPECIFIED:		DWN: B CARBO 01JUN05		Tyco Electronics Harrisburg, PA 17105-3608	
mm	0 PLC ±	1 PLC ±	2 PLC ±	3 PLC ±	4 PLC ±	5 PLC ±	6 SKIPPER 01JUN05
	0.13	0.13	0.13	0.13	0.13	0.13	NAME: RECEPTACLE ASSEMBLY, SIGNAL/GROUND COMBINATION, 72 POSITION, LEFT HAND, Z-PACK 12 HM
	0.13	0.13	0.13	0.13	0.13	0.13	PRODUCT SPEC
	0.13	0.13	0.13	0.13	0.13	0.13	APPLICATION SPEC
	0.13	0.13	0.13	0.13	0.13	0.13	SIZE: CAGE CODE DRAWING NO. RESTRICTED TO
	0.13	0.13	0.13	0.13	0.13	0.13	A 00779 C=5120640
MATERIAL: HOUSING: 1 CONTACTS: 2	FINISH: 7	CONTACTS: 3	CONTACTS: 7	WEIGHT: -	CUSTOMER DRAWING	SCALE: 5:1	SHEET 1 OF 1 REV A

Mouser Electronics

Authorized Distributor

Click to View Pricing, Inventory, Delivery & Lifecycle Information:

[TE Connectivity:](#)

[5120640-1](#)