

4

3

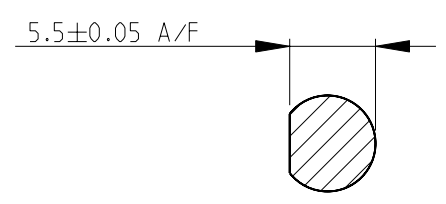
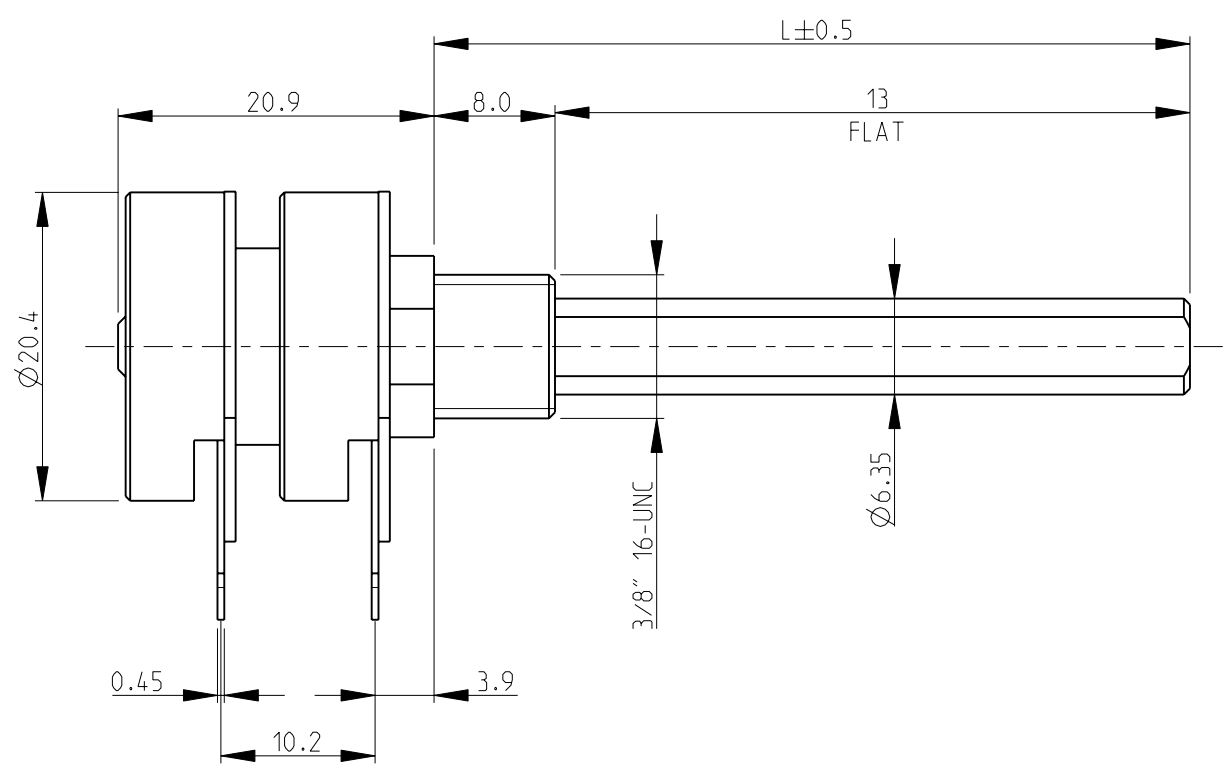
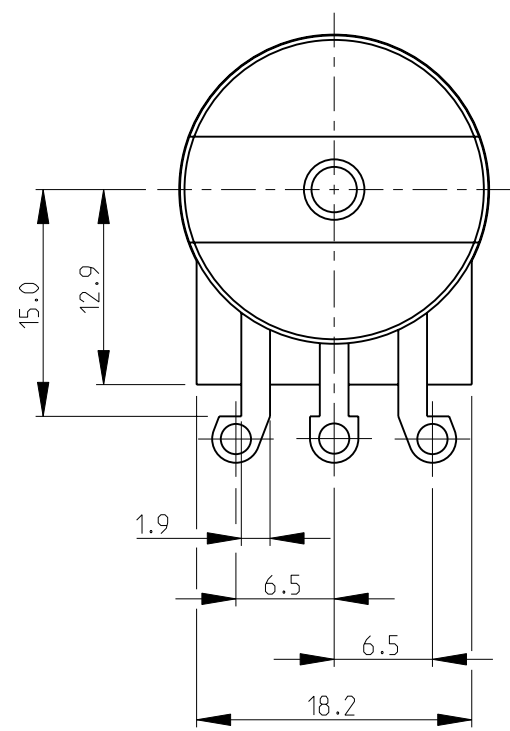
2

1

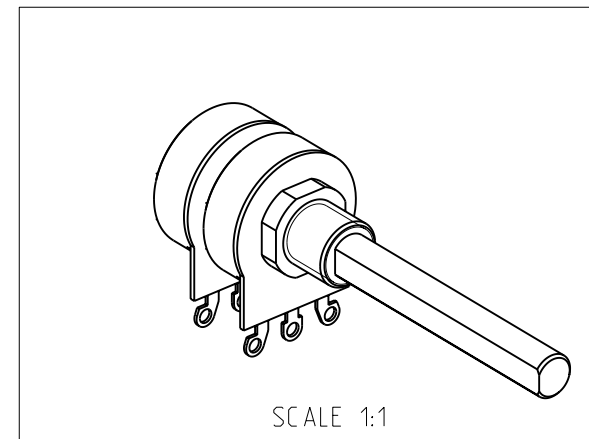
THIS DRAWING IS UNPUBLISHED. RELEASED FOR PUBLICATION 2008
 © COPYRIGHT 2008 BY TYCO ELECTRONICS CORPORATION. ALL RIGHTS RESERVED.

LOC	DIST	REVISIONS			
P	LTR	DESCRIPTION	DATE	DWN	APVD
E	B	BA	NEW RELEASE	30-Jul-08	SM St.P

1 AVAILABLE IN DIFFERENT SHAFT LENGTHS (L) SEE DATA SHEET
 2 FOR FURTHER INFORMATION SEE DATA SHEET FOR 23 SERIES-SPINDLE OPERATED POTENTIOMETER



RoHS Compliant



THIS DRAWING IS A CONTROLLED DOCUMENT FOR TYCO ELECTRONICS CORPORATION IT IS SUBJECT TO CHANGE AND THE CONTROLLING ENGINEERING ORGANIZATION SHOULD BE CONTACTED FOR THE LATEST REVISION.		DWN SUBHASH.M 30-Jul-08	Tyco Electronics Corporation Dorcan, Swindon, SN3 5HH			
DIMENSIONS: mm	TOLERANCES UNLESS OTHERWISE SPECIFIED: 0 PLC ±0.5 1 PLC ±0.2 2 PLC ±0.1 3 PLC ± 4 PLC ± ANGLES ±5°	CHK PRAKASH.S 30-Jul-08	NAME SPINDLE OPERATED POTENTIOMETER SERIES 23 (DUAL GANG STYLE)			
		APVD STEPHEN.P 30-Jul-08				
MATERIAL -	FINISH -	PRODUCT SPEC -	SIZE A3	CAGE CODE 00779	DRAWING NO C=1624181	RESTRICTED TO -
		APPLICATION SPEC -	CUSTOMER DRAWING		SCALE 2:1	SHEET 1 OF 1

Mouser Electronics

Authorized Distributor

Click to View Pricing, Inventory, Delivery & Lifecycle Information:

[TE Connectivity:](#)

[27ESA503MMF50N](#)