

# CGA5L3X7S2A225M160AE

TDK Item Description : CGA5L3X7S2A225MT\*\*\*S



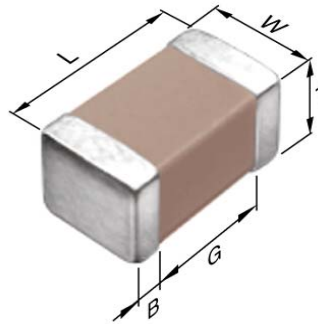
Equivalent C3216X7S2A225M for Automotive

## Application & Main Feature

Automotive Grade ( Soft Termination )

## Series

CGA5(3216) [EIA CC1206]



## Dimensions

L 3.20mm +0.4,-0.2mm  
 W 1.60mm +0.3,-0.2mm  
 T 1.60mm +0.3,-0.2mm  
 B 0.20mm Min.  
 G 1.00mm Min.

## Temperature Characteristic

X7S (-55 to 125 degC +/-22%)

## Rated Voltage

2A (100Vdc)

## Capacitance

2.2uF

## Capacitance Tolerance

M (+/-20%)

## Dissipation Factor

5% Max.

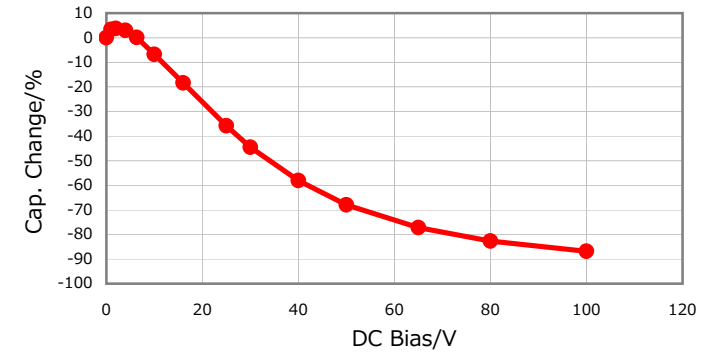
## Insulation Resistance

227Mohm Min.

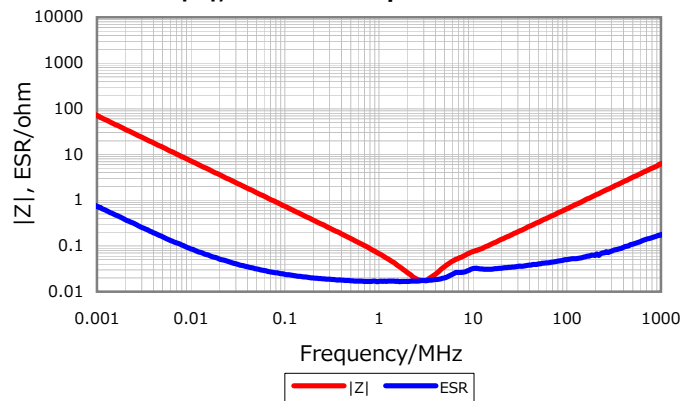
## AEC-Q200

Yes

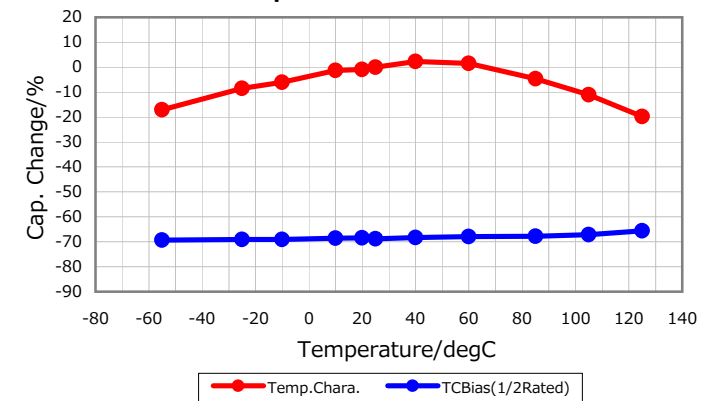
## DC Bias Characteristic



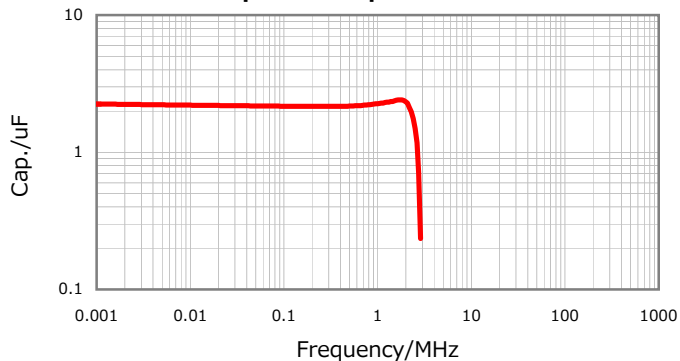
## |Z|, ESR vs. Freq. Characteristics



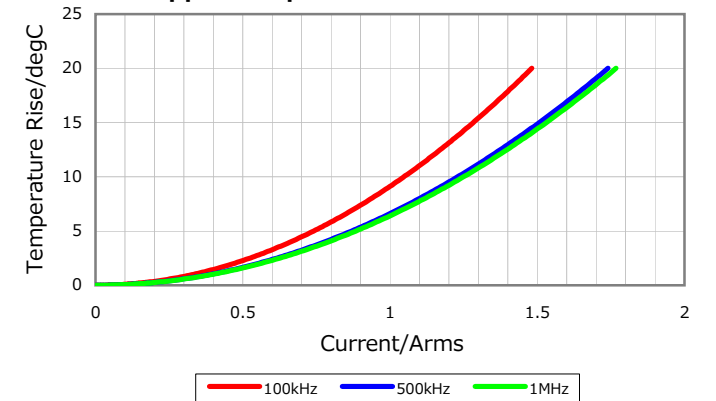
## Temperature Characteristic



## Cap. vs. Freq. Characteristic



## Ripple Temperature Rise Characteristic



Characterization Sheet ( Multilayer Ceramic Chip Capacitors )



All specifications are subject to change without notice.

September 28, 2013

# Mouser Electronics

Authorized Distributor

Click to View Pricing, Inventory, Delivery & Lifecycle Information:

TDK:

[CGA5L3X7S2A225M160AE](#)