

IEC Appliance Inlet C14, Screw-on Mounting, Front Side, Solder terminal, contacts and terminals gold-plated



Description

- Panel Mount:
Screw-on mounting, Front Side
- 1 Function
- Appliance Inlet, Pin temperature 70 °C, Protection class I
- Contacts and terminals gold-plated
- Solder terminals

Approvals

- VDE Certificate Number: 40011871
- UL File Number: E45115
- CSA File Number: 27324

Weblinks

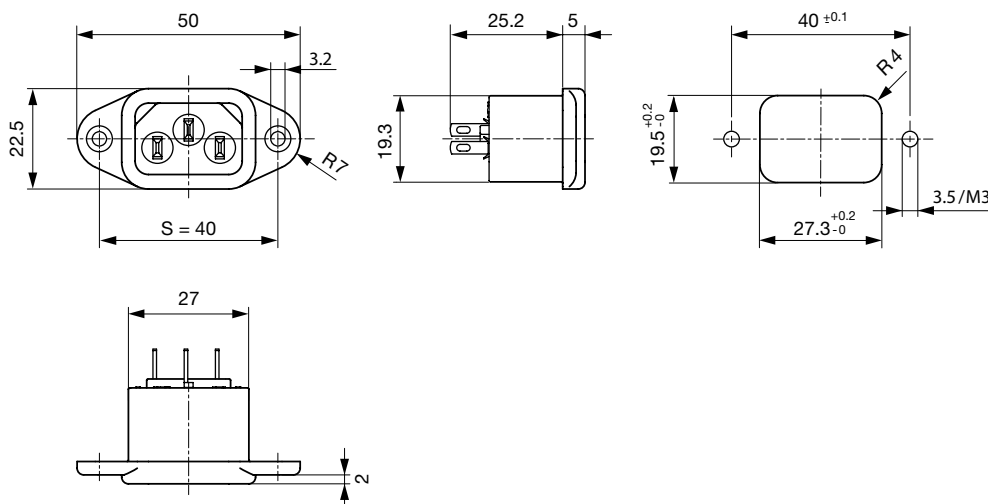
[pdf-datasheet](#), [html-datasheet](#), [General Product Information](#), [Approvals](#), [CE declaration of conformity](#), [RoHS](#), [CHINA-RoHS](#), [REACH](#), [Mating Connectors](#), [e-Shop](#), [SCHURTER-Stock-Check](#), [Distributor-Stock-Check](#), [CAD-Drawings](#), [Accessories](#), [Detailed request for product](#)

Technical Data

Ratings IEC	10A / 250VAC; 50Hz
Ratings UL/CSA	15A / 250VAC; 60Hz
Dielectric Strength	> 3kVAC between L-N > 1.5kVAC between L/N-PE (1 min/50Hz)
Allowable Operation Temp.	-25 °C to 70 °C
Degree of Protection	from front side IP 20 acc. to IEC 60529
Protection Class	Suitable for appliances with protection class I acc. to IEC 61140
Material: Housing	PA6, black or grey, UL 94V-0

Appliance Inlet	C14 acc. to IEC 60320 UL 498, CSA C22.2 no. 42 (for cold conditions) pin-temperature 70 °C, 10A, Protection Class I
-----------------	--

Dimensions




Config. Code

6061-G - - A B C 0 - D - E G

The characters are placeholders for the correspondingly keys of selections from the key tables.

6061-G - - **A B C 0-D-E G** = Terminals

Terminal L	Configuration key
solder terminal 	1

6061-G - - **A B C 0-D-E G** = Terminals

Terminal N	Configuration key
solder terminal	1

Symbols similar as in table A

6061-G - - **A B C 0-D-E G** = Terminals

Terminal Ground	Configuration key
solder terminal	1

Symbols similar as in table A

6061-G - - **A B C 0-D-E G** = Color

Color	Configuration key
Black	A
Grey	B

6061-G - - **A B C 0-D-E G** = Style

Style	Configuration key
flange with countersunk holes	1
flange with through holes	2

6061-G - - **A B C 0-D-E G** = Mass S

Mass "s"	Configuration key
36	
40	

The dimension "S" is displayed in ($1/_{10}$ mm). This information is also valid for the order code

All Variants

Config. Code	Description	Order Number
6061-G--1110-A-140	6061-G, IEC Appliance Inlet C14, 70°C, version: , L: solder terminal, N: solder terminal, ground: solder terminal, color: Black, design: flange with countersunk holes, dimension S: 40, features:	6162.0083

The listed variants should be available from stock Other versions on request www.schurter.com/contact

Availability for all products can be searched real-time:<http://www.schurter.com/en/Stock-Check/Stock-Check-SCHURTER>

Packaging unit 50 Pcs

Mating Outlets/Connectors

Category / Description

[Appliance Outlet Overview complete](#)



IEC Appliance Outlet F, Screw-on Mounting, Front Side, Solder Terminal	4787
IEC Appliance Outlet F, Snap-in Mounting, Front Side, Solder or Quick-connect Terminal	4788
IEC Appliance Outlet F or H, Screw-on Mounting, Front Side, Solder, PCB or Quick-connect Terminal	5091

[Appliance Outlet further types to 6061-G](#)

[Connector Overview complete](#)



4782 Mounting: Power Cord, 3 x 1 mm ² / 3 x 18 AWG, Cable, Connector: IEC C13	4782
4022 Mounting: Power Supply Cord, 3 x 1.5 mm ² , Screw clamps, Connector: IEC C13	4022
4785 Mounting: Power Cord, 3 x 1 mm ² / 3 x 18 AWG, Cable, Connector: IEC C13	4785
4300-06 Mounting: Power Cord, 3 x 1 mm ² / 3 x 18 AWG, Cable, Connector: IEC C13	4300-06
4012 Mounting: Power Supply Cord, 3 x 1.5 mm ² , Screw clamps, Connector: IEC C13	4012

[Connector further types to 6061-G](#)

...

Mouser Electronics

Authorized Distributor

Click to View Pricing, Inventory, Delivery & Lifecycle Information:

[Schurter:](#)

[6162.0083](#)