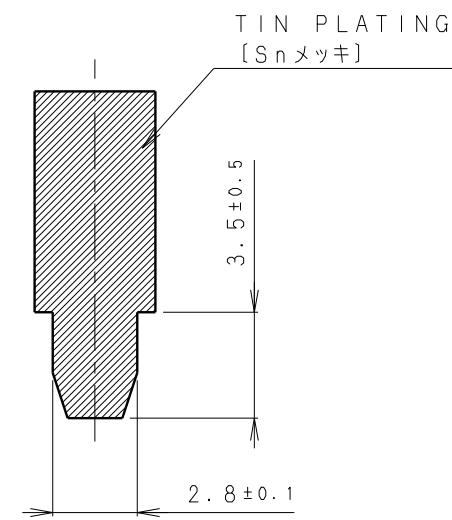
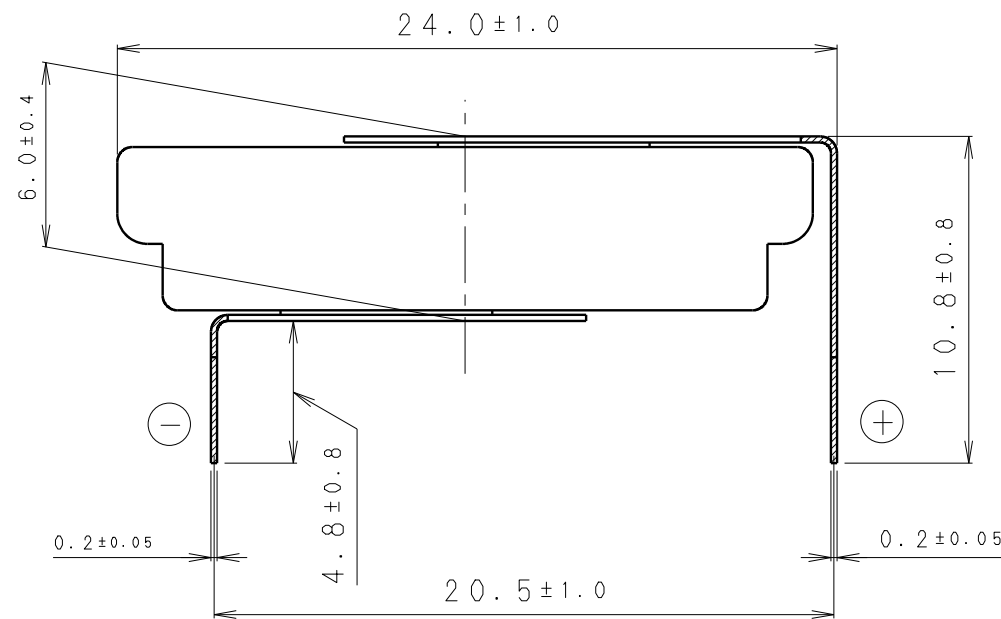
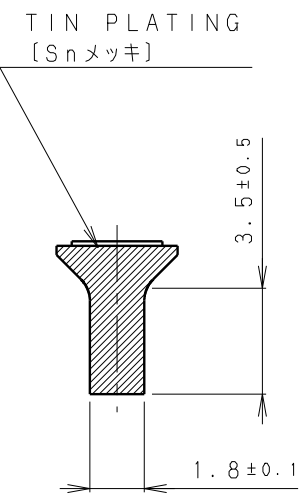
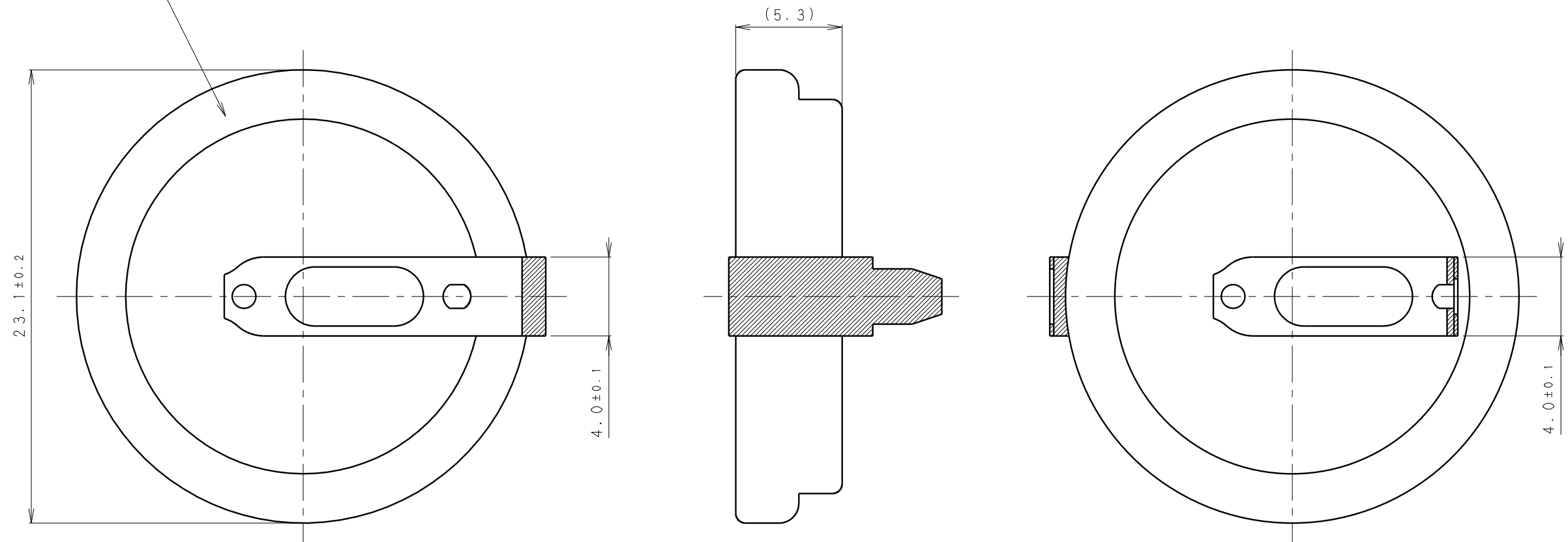


\* NOTE [注記]

1. TAB PULLING STRENGTH OVER 19. N [端子溶接強度: 19.6N以上]
2. TAB MATERIAL: STAINLESS STEEL WITH TIN PLATING [端子材料: 基材 ステンレス/表面 部分Snメッキ]
3. ( ): REFERENCE DIMENSION AND ANGLE [ ( ) 寸法、角度は参考値]

PRODUCT NO.	CR-2354/HEN	SCALE	4:1
DRAWING NO.	QVHA1N	REV.	0
			UNIT:mm

INSULATOR (YELLOW)  
 [絶縁チューブ (黄色)]

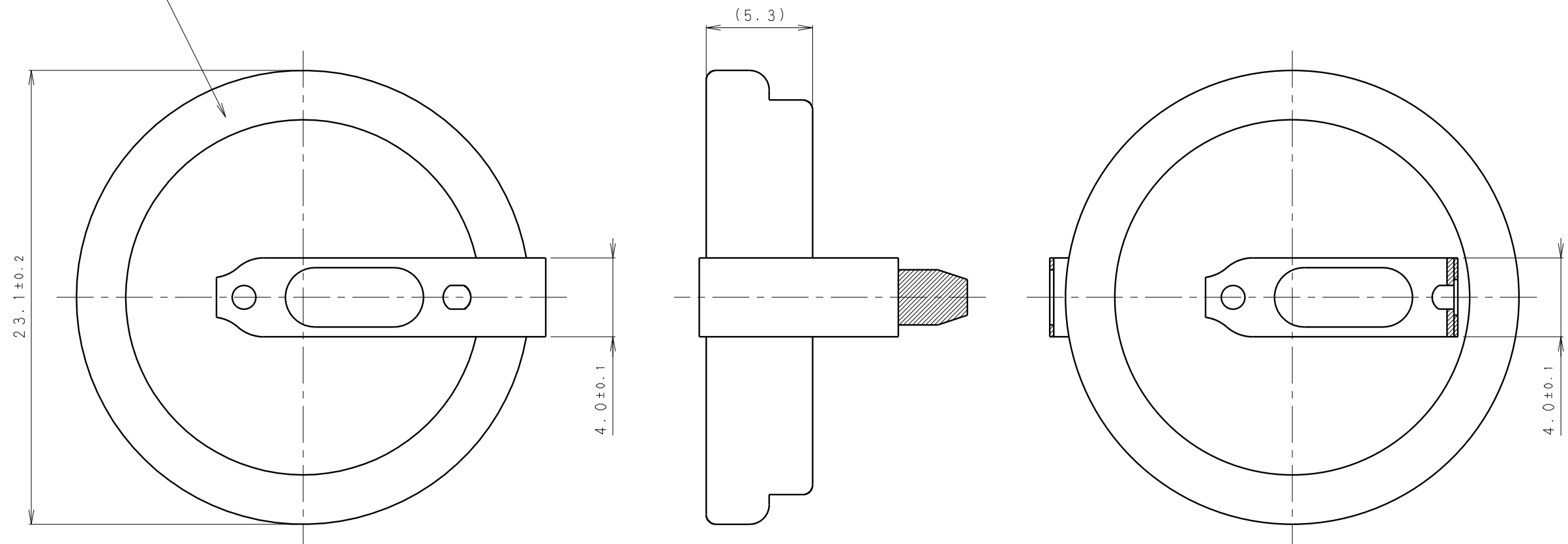


\* NOTE [注記]

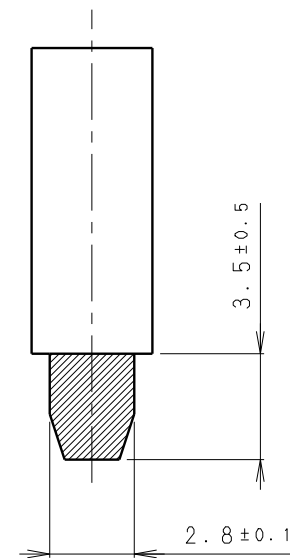
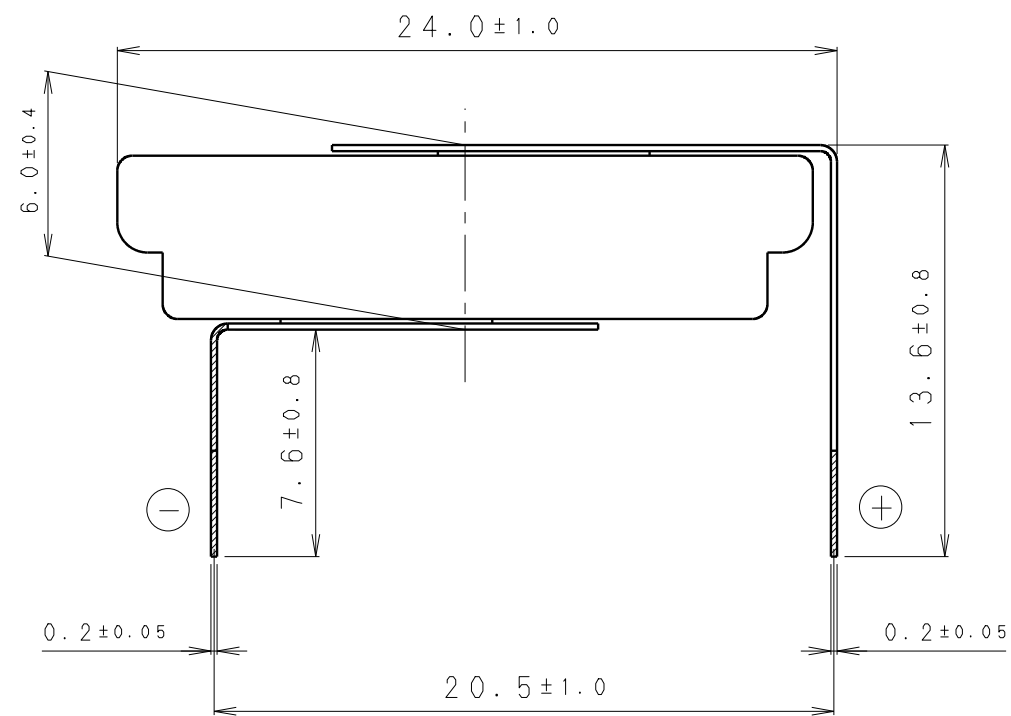
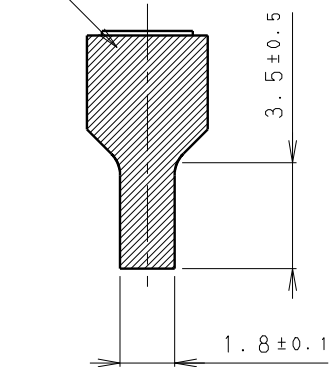
1. TAB PULLING STRENGTH OVER 19. N [端子溶接強度: 19.6N以上]
2. TAB MATERIAL: STAINLESS STEEL WITH TIN PLATING [端子材料: 基材 ステンレス/表面 部分Snメッキ]
3. ( ): REFERENCE DIMENSION AND ANGLE [ ( ) 寸法、角度は参考値]

PRODUCT NO.	CR-2354/HFN	SCALE	4:1
DRAWING NO.	QVHA1Z	REV.	0
			UNIT:mm

INSULATOR (YELLOW)  
[絶縁シール (黄色)]



TIN PLATING  
[Snメッキ]



\* NOTE [注記]

1. TAB PULLING STRENGTH OVER 19.6N [端子溶接強度: 19.6N以上]
2. TAB MATERIAL: STAINLESS STEEL WITH TIN PLATING [端子材料: 基材 ステンレス/表面 部分Snメッキ]
3. ( ): REFERENCE DIMENSION AND ANGLE [ ( ) 寸法、角度は参考値]

PRODUCT NO.	CR-2354/HMN	SCALE	4:1
DRAWING NO.	QVHC1Z	REV.	0
			UNIT: mm

# Mouser Electronics

Authorized Distributor

Click to View Pricing, Inventory, Delivery & Lifecycle Information:

[Panasonic:](#)

[CR-2354/HEN](#) [CR-2354/HMN](#)