

**PLEASE CHECK WWW.MOLEX.COM FOR LATEST PART INFORMATION**

**Part Number:** [043860022](#)  
**Status:** **Active**  
**Overview:** [Modular Jacks and Plugs](#)  
**Description:** [Modular Jack, Right Angle, Low Profile, Inverted, Lightpipes, 6/6, Unshielded](#)

**Documents:**

[3D Model](#) [Packaging Specification PK-43860-004 \(PDF\)](#)  
[Drawing \(PDF\)](#) [RoHS Certificate of Compliance \(PDF\)](#)  
[Product Specification PS-43860-003 \(PDF\)](#)

**Agency Certification**

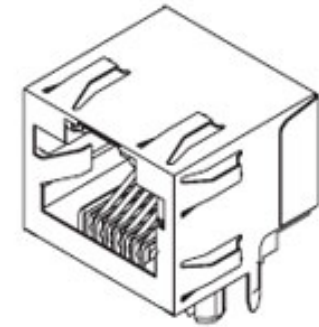
CSA LR19980  
 UL E107635

**General**

Product Family [Modular Jacks/Plugs](#)  
 Series [43860](#)  
 Comments [Polysulfone Lightpipes](#)  
 Component Type [PCB Jack](#)  
 Magnetic [No](#)  
 Overview [Modular Jacks and Plugs](#)  
 Performance Category [3](#)  
 Power over Ethernet (PoE) [N/A](#)  
 Product Name [RJ11](#)  
 UPC [800756499086](#)

**Physical**

Boot Color [N/A](#)  
 Color - Resin [Black](#)  
 Durability (mating cycles max) [500](#)  
 Flammability [94V-0](#)  
 Inverted / Top Latch [Yes](#)  
 Jack Height [13.21mm](#)  
 Keying to Mating Part [None](#)  
 Lightpipes/LEDs [Lightpipes](#)  
 Material - Metal [Phosphor Bronze](#)  
 Material - Plating Mating [Gold](#)  
 Material - Plating Termination [Tin](#)  
 Material - Resin [High Temperature Thermoplastic, Polysulfone](#)  
 Net Weight [2.757/g](#)  
 Orientation [Right Angle \(Side Entry\)](#)  
 PCB Locator [Yes](#)  
 PCB Retention [Yes](#)  
 PCB Thickness - Recommended [1.57mm](#)  
 Packaging Type [Tube](#)  
 Panel Mount [Without Flange](#)  
 Pitch - Mating Interface [1.02mm](#)  
 Pitch - Termination Interface [1.02mm](#)  
 Plating min - Mating [1.270µm](#)  
 Plating min - Termination [2.540µm](#)  
 Ports [1](#)  
 Positions / Loaded Contacts [6/6](#)  
 Surface Mount Compatible (SMC) [No](#)  
 Temperature Range - Operating [-40°C to +85°C](#)  
 Termination Interface: Style [Through Hole](#)  
 Waterproof / Dustproof [No](#)  
 Wire/Cable Type [N/A](#)



*Series image - Reference only*

**EU ELV**

**Not Relevant**

**EU RoHS**

**Compliant**

**REACH SVHC**

Not Contained Per -  
 ED/21/2016 (20 June  
 2016)

**Halogen-Free**

**Status**

**Not Low-Halogen**

**Need more information on product  
 environmental compliance?**

Email [productcompliance@molex.com](mailto:productcompliance@molex.com)  
 Please visit the [Contact Us](#) section for any  
 non-product compliance questions.

China ROHS

ELV

Green Image

Not Relevant

**Search Parts in this Series**

[43860 Series](#)

**Mates With**

[FCC 68 Plugs](#)

**Electrical**

Current - Maximum per Contact	1.5A
Grounding to PCB	No
Grounding to Panel	None
Shielded	No
Voltage - Maximum	150V AC (RMS)

**Solder Process Data**

Lead-freeProcess Capability	WAVE
-----------------------------	------

**Material Info****Reference - Drawing Numbers**

Packaging Specification	PK-43860-004
Product Specification	PS-43860-003
Sales Drawing	SD-43860-001

This document was generated on 07/11/2016

**PLEASE CHECK [WWW.MOLEX.COM](http://WWW.MOLEX.COM) FOR LATEST PART INFORMATION**

# Mouser Electronics

Authorized Distributor

Click to View Pricing, Inventory, Delivery & Lifecycle Information:

[Molex:](#)

[43860-0022](#)