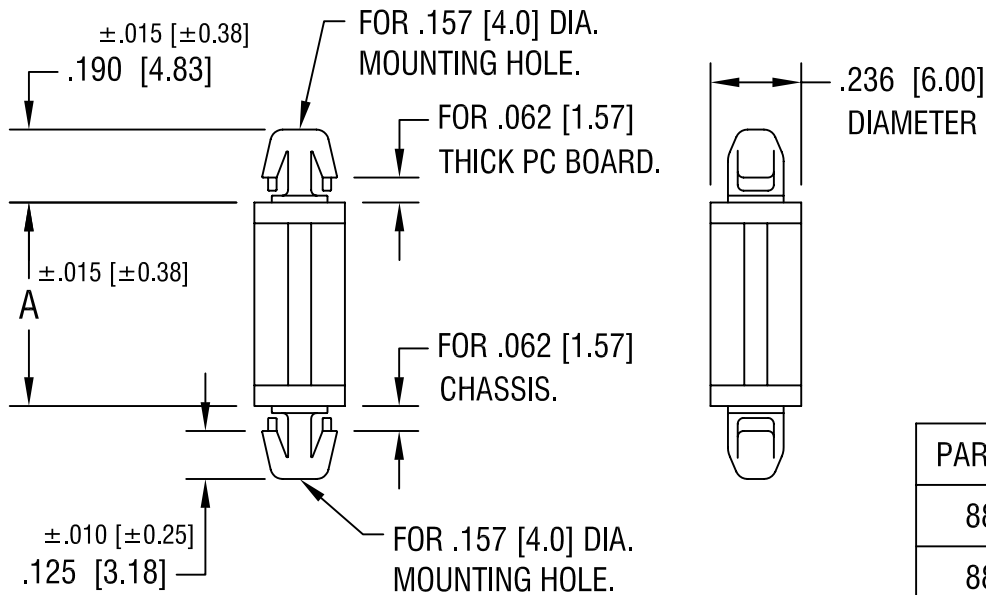


THIS DOCUMENT IS THE PROPERTY OF
KEYSTONE ELECTRONICS CORP. AND
SHALL NOT BE REPRODUCED, DISTRIBUTED
OR USED AS A BASIS FOR MANUFACTURE
WITHOUT PRIOR WRITTEN PERMISSION
FROM KEYSTONE ELECTRONICS CORP.



PART NO.	'A' DIM.
8843	.118 [3.0]
8844	.157 [4.0]
8845	.236 [6.0]
8846	.315 [8.0]
8847	.394 [10.0]
8848	.472 [12.0]
8849	.551 [14.0]
8850	.630 [16.0]
8851	.709 [18.0]

KEYSTONE ELECTRONICS CORP.

ASTORIA, N.Y. 11105-2017

PART NAME

METRIC PC LOCK-IN SUPPORT

MATERIAL

NYLON UL 94V-0

FINISH

-

DRN BY

BOONE

DATE

3.31.99

APP'D

LN

SCALE

2X

2.27.07 | CHANGE AS PER ECN 07-011

B

TOLERANCES

INCH [MM]

CODE

DWG NO.

DECIMAL $\pm .005$ [± 0.15]

C

ANGULAR $\pm 1^\circ$
UNLESS OTHERWISE SPECIFIED

8843-8851

DATE

DESCRIPTION

REV.

Mouser Electronics

Authorized Distributor

Click to View Pricing, Inventory, Delivery & Lifecycle Information:

[Keystone Electronics:](#)

[8850](#)