

**ASSEMBLY -
 TOGGLE SWITCH**

CATALOG LISTING
64AT23 SERIES
CHART 2

THIS DRAWING COVERS A PROPRIETARY ITEM AND IS THE PROPERTY OF MICRO SWITCH A DIVISION OF HONEYWELL. THIS DRAWING IS NOT TO BE COPIED OR USED WITHOUT THE APPROVAL OF MICRO SWITCH.

CATALOG LISTING
64AT23 SERIES CHART 2
 PAGE 1 OF 1

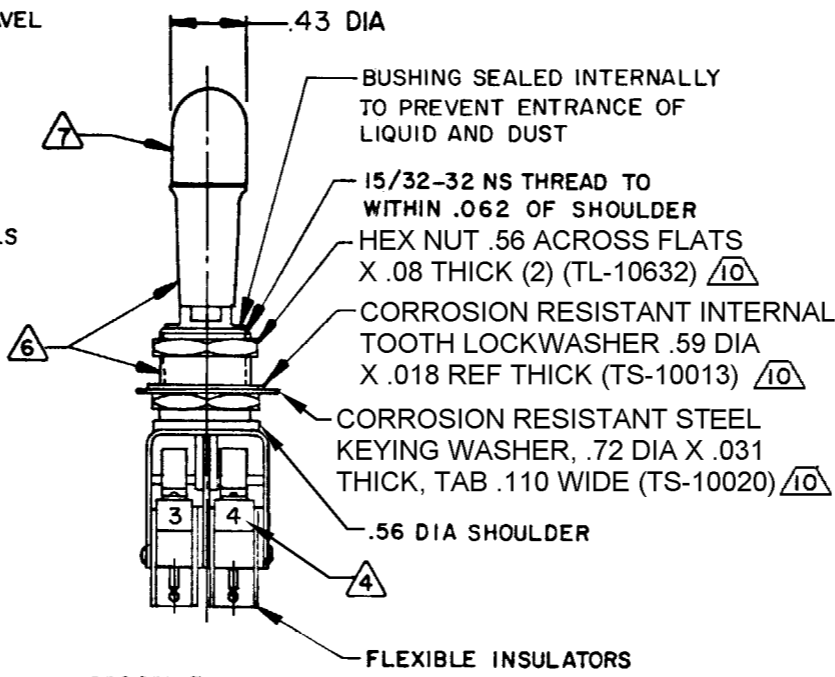
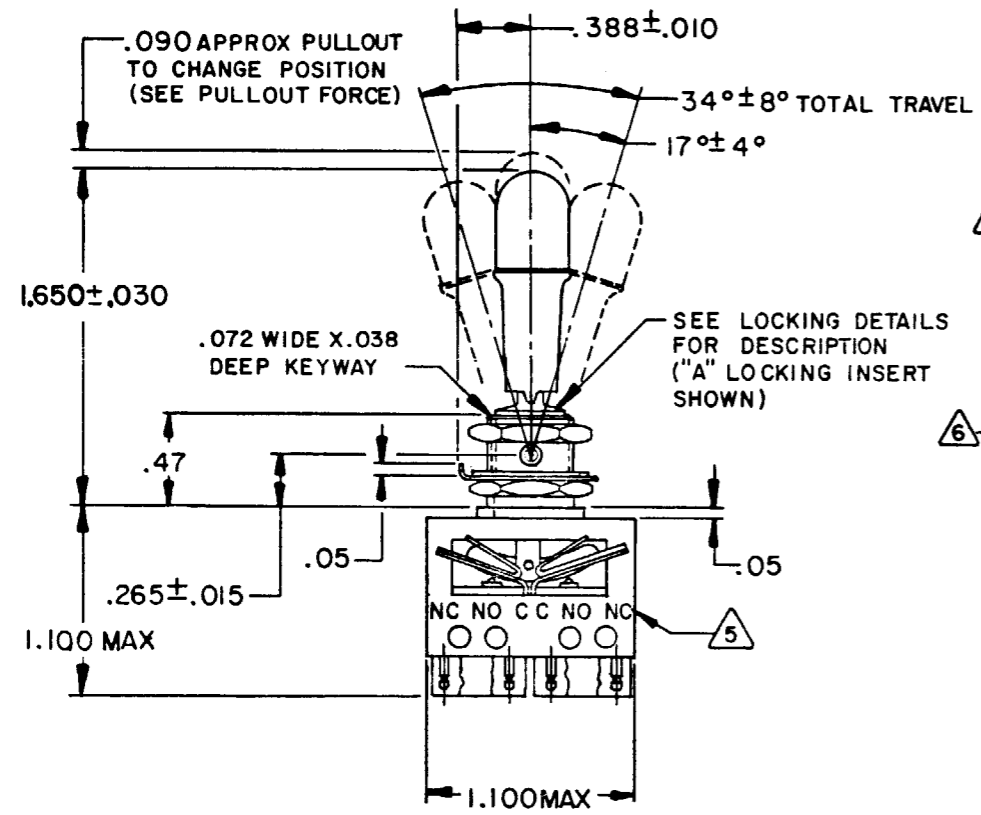
ISSUE
M
8

REVISIONS

A	NEW DWG PR-4711	11 FEB 04
B	00-515968	11 FEB 04
C	072702	11 FEB 04
D	092352	11 FEB 04
E	203823	11 FEB 04
F	204763	11 FEB 04
G	0003376	11 FEB 04

RASTER
 FO-52851
 DRAWN
 K P K 18 JAN 75
 CHECK
 D J W 10 JAN 75
 CHECK
 D J W 10 JAN 75
 CHECK
 D J W 10 JAN 75

REPLACES
 PR-4711
 RELEASE NO.
 CHECK
 MIDM
 11 FEB 04
 CHECK
 75
 CHECK
 75
 CHECK
 75

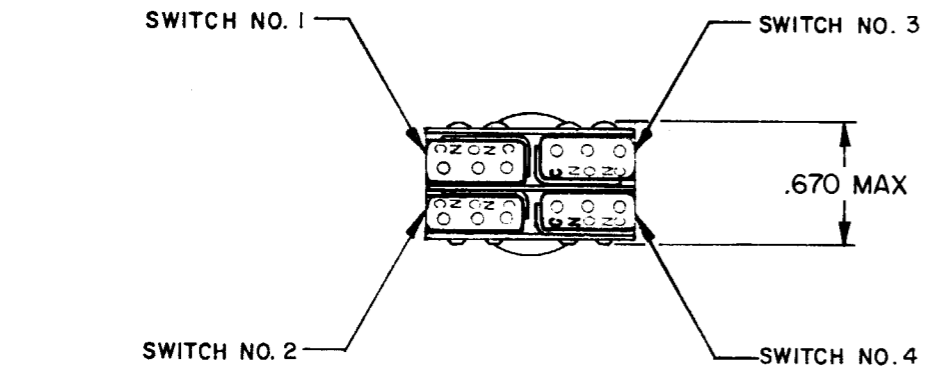


CATALOG LISTING ⁸	KEYWAY POSITION		CENTER POSITION		OPPOSITE KEYWAY POSITION		RECOMMENDED LOCKING COMBINATIONS
	C-NC	C-NO	C-NO	C-NC	C-NC	C-NO	
64AT23-1	1 & 2	3 & 4	NONE	ALL	3 & 4	1 & 2	A, B, D, E, F, G, H, J, K, L, M, N, P
64AT23-3	1 & 2	3 & 4	NONE	NONE	3 & 4	1 & 2	D, F, G
64AT23-5	1 & 2*	3 & 4*	NONE	ALL	3 & 4	1 & 2	E, F, K, L, M, N
64AT23-7	1 & 2*	3 & 4*	NONE	ALL	3 & 4*	1 & 2*	E, L, N
64AT23-514	1 & 2	3 & 4	NONE	ALL	3 & 4*	1 & 2*	B, E, G, L, N, P

* ASTERISK DENOTES MOMENTARY POSITION

"A" LOCKED IN THREE POSITIONS	"B" LOCKED IN CENTER AND EXTREME POSITION (KEYWAY SIDE)	"D" LOCKED OUT OF CENTER POSITION	"E" LOCKED IN CENTER POSITION	"F" LOCKED IN EXTREME POSITION (OPPOSITE KEYWAY)	"G" LOCKED IN EXTREME POSITION (KEYWAY SIDE)
"H" LOCKED OUT OF CENTER AND EXTREME POSITION (KEYWAY SIDE)	"J" LOCKED OUT OF CENTER AND EXTREME POSITION (OPPOSITE KEYWAY)	"K" LOCKED IN CENTER AND EXTREME POSITION (OPPOSITE KEYWAY)	"L" LOCKED OUT OF EXTREME POSITION (KEYWAY SIDE)	"M" LOCKED OUT OF AND INTO EXTREME POSITION (OPPOSITE KEYWAY)	"N" LOCKED OUT OF EXTREME POSITION (OPPOSITE KEYWAY)
					"P" LOCKED OUT OF AND INTO EXTREME POSITION (KEYWAY SIDE)

- NOTES
- UNIT INCLUDES "SX" TYPE BASIC SWITCH (4) (MEETS REQUIREMENTS OF MIL-8805/4)
 - SWITCHES DO NOT NECESSARILY OPERATE SIMULTANEOUSLY
 - PLATED TERMINALS WILL ACCEPT "AMP INC" .058 DIA PIN RECEPTACLES
 - SWITCH NUMBERS MARKED ON END OF BASIC SWITCHES
 - TERMINAL DESIGNATION MARKED ON BOTH SIDES OF UNIT
 - DULL FINISH ON LEVER AND BUSHING
 - FLAT WHITE RESILIENT SILICONE (50 DUROMETER APPROX)
 - SUFFIX LETTER MUST BE ADDED FOR DESIRED TYPE TOGGLE LOCKING (SEE CHART FOR RECOMMENDED LOCKING COMBINATIONS)
 - FOR REPLACEMENT BUTTON SEE MICRO SWITCH CAT. LIST.
15PA90-6W
 - HARDWARE FURNISHED ASSEMBLED WITH SWITCH OR IN PACKET 15PA313-AT PER MIL-PRF-8805
 - REPLACEMENT MOUNTING HARDWARE PACKET 15PA313-AT
 - SWITCH MEETS THE REQUIREMENTS OF MIL-PRF-8805/98 EXCEPT INITIAL CONTACT RESISTANCE IS 50 MILLIOHMS MAX AND FINAL CONTACT RESISTANCE AFTER MECHANICAL ENDURANCE IS 600 MILLIOHMS MAX.



CHARACTERISTICS	ELECTRICAL DATA	SCALE FULL
PULLOUT FORCE----- 3LB MIN-5 LB MAX	CONTACT ARRANGEMENT S P D T (4)	DO NOT SCALE PRINT
		UNLESS OTHERWISE NOTED DIMENSIONS ARE IN INCHES TOLERANCES ARE: ONE PLACE .01 .030 TWO PLACE .001 .015 THREE PLACE .0001 .005 ANGLES
		WEIGHT .09 LB EST

LOAD	ELECTRICAL RATINGS		
	SEA LEVEL		50,000 FT
	28 Vdc (AMPERES)	115 Vac, 60 Hz (AMPERES)	28 Vdc (AMPERES)
RESISTIVE	7	7	4
INDUCTIVE	4	7	2.5

Mouser Electronics

Authorized Distributor

Click to View Pricing, Inventory, Delivery & Lifecycle Information:

[Honeywell:](#)

[64AT23-1A](#) [64AT23-3D](#)