

MICRO SWITCH
 FREEPORT ILLINOIS U.S.A.
 A DIVISION OF HONEYWELL
 FED. MFG. CODE 91928

**ASSEMBLY -
 TOGGLE SWITCH**

CATALOG LISTING
64AT23SERIES
CHART 1

CATALOG LISTING	KEYWAY POSITION		CENTER POSITION		OPPOSITE KEYWAY POSITION	
	C-NC	C-NO	C-NO	C-NC	C-NC	C-NO
64AT23-1	1 & 2	3 & 4	NONE	ALL	3 & 4	1 & 2
64AT23-3	1 & 2	3 & 4	NONE	NONE	3 & 4	1 & 2
64AT23-5	1 & 2 *	3 & 4 *	NONE	ALL	3 & 4	1 & 2
64AT23-7	1 & 2 *	3 & 4 *	NONE	ALL	3 & 4 *	1 & 2 *
64AT23-514	1 & 2	3 & 4	NONE	ALL	3 & 4 *	1 & 2 *

* ASTERISK DENOTES MOMENTARY POSITION

64AT23SERIES
 CHART 1
 PAGE 1 OF 1

M

DRAWING
 NUMBER

ISSUE

6

REVISIONS

REV	DATE	DESCRIPTION
A	08 SEP 78	CO-47639
B	01 MAY 80	REINST PR-17094
C	07 FEB 89	CO72702
D	07 JUN 92	CO92352
E	23 JUN 99	0003376

AS
 11 FEB 04

G/ZT

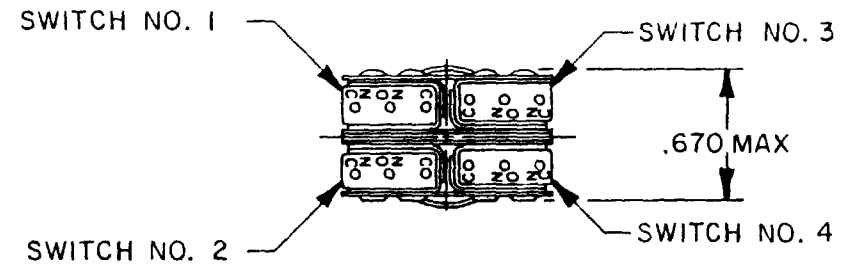
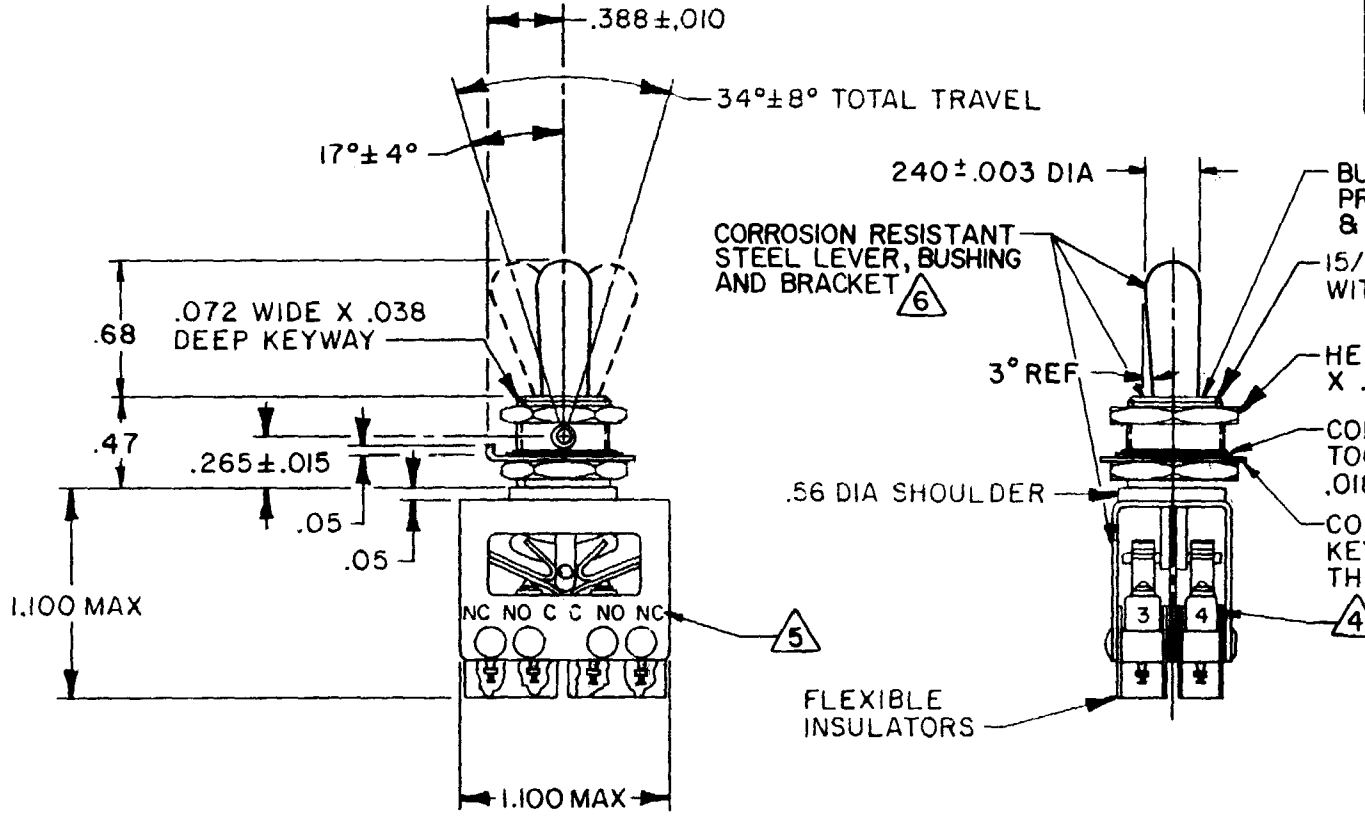
7 FEB 89

CHECK

KAK

DRAWN

FORMTEK
 FO-9285 1-B



NOTES

- UNIT INCLUDES "SX" TYPE BASIC SWITCH (4) (MEETS REQUIREMENTS OF MIL-S-8805/4)
- SWITCHES DO NOT NECESSARILY OPERATE SIMULTANEOUSLY
- PLATED TERMINALS WILL ACCEPT "AMP INC." .058 DIA PIN RECEPTACLES
- SWITCH NUMBERS MARKED ON END OF BASIC SWITCHES
- TERMINAL DESIGNATION MARKED ON BOTH SIDES OF UNIT
- DULL FINISH ON LEVER AND BUSHING
- WHEN LEVER IS MOVED OUT OF A MAINTAINED POSITION, IT WILL RETURN OF ITS OWN ACCORD TO THE ORIGINAL POSITION OR THE ADJACENT POSITION. THE TOGGLE LEVER MAY HANG UP BETWEEN THE TWO ADJACENT POSITIONS ONLY BY EXERTING CONSIDERABLE EFFORT
- SWITCH MEETS THE REQUIREMENTS OF MIL-PR-8805/98 EXCEPT INITIAL CONTACT RESISTANCE 50 MILLIOHMS MAX AND FINAL CONTACT RESISTANCE AFTER MECHANICAL ENDURANCE IS 600 MILLIOHMS MAX.

THIS DRAWING COVERS A PROPRIETARY ITEM AND IS THE PROPERTY OF MICRO SWITCH, A DIVISION OF HONEYWELL. THIS DRAWING IS NOT TO BE COPIED OR USED WITHOUT THE APPROVAL OF MICRO SWITCH.

SCALE FULL
DO NOT SCALE PRINT
TOLERANCES
UNLESS OTHERWISE SPECIFIED TOLERANCES ARE
ONE PLACE (.0) ± .030
TWO PLACE (.00) ± .015
THREE PLACE (.000) ± .005
ANGLES ±
WEIGHT .07 LB EST

CHARACTERISTICS	ELECTRICAL DATA
OPERATING FORCE	CONTACT ARRANGEMENT S P D T (4)
FORCE TO MOVE LEVER FROM ONE POSITION TO ANY ADJACENT POSITION, 2-5 LB. APPLIED .125 ± .030 BELOW TOP OF LEVER	

LOAD	ELECTRICAL RATINGS		
	SEA LEVEL		50,000 FT
	28 Vdc (AMPERES)	115 Vac, 60 Hz (AMPERES)	28 Vdc (AMPERES)
RESISTIVE	7	7	4
INDUCTIVE	4	7	2.5

Mouser Electronics

Authorized Distributor

Click to View Pricing, Inventory, Delivery & Lifecycle Information:

[Honeywell:](#)

[64AT23-7E](#)