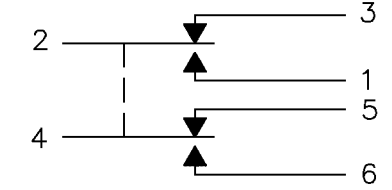


MICRO SWITCH
a Honeywell Division

FED. MFG. CODE 91929

SWITCH-ENCLOSED

CATALOG LISTING
602HE5-RB1



CIRCUIT DIAGRAM

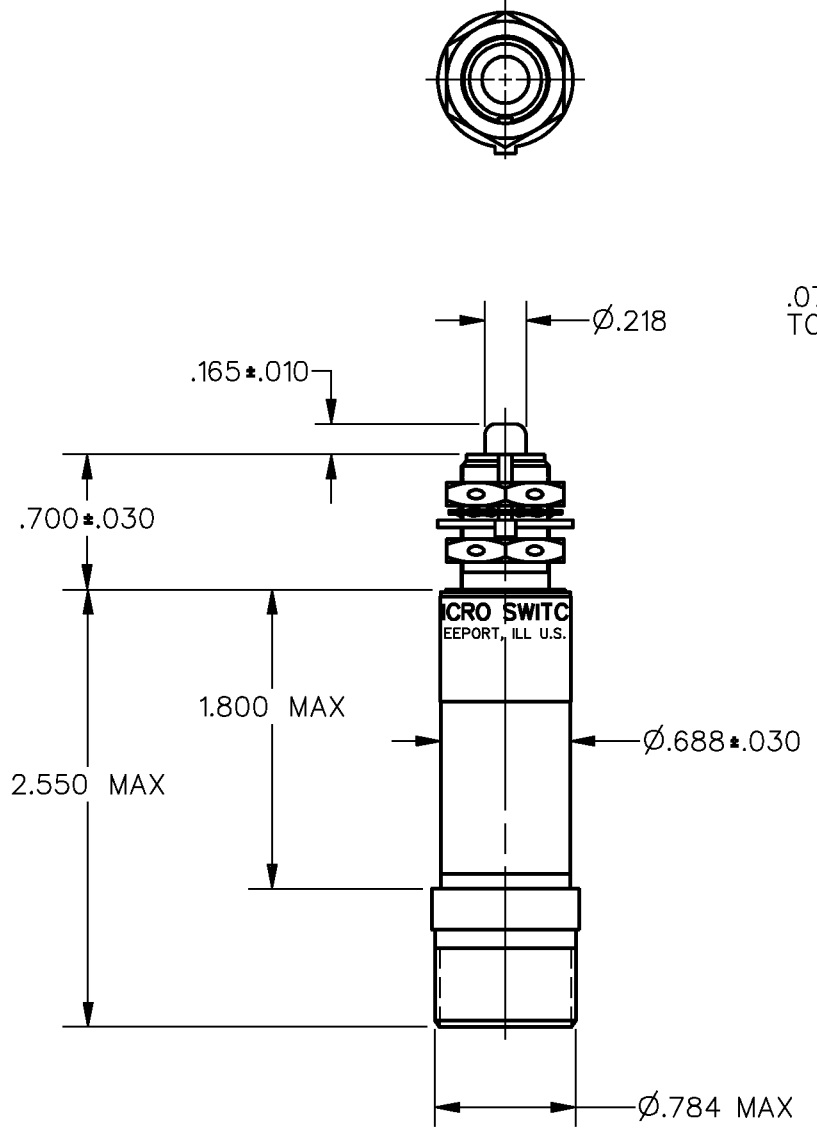
CATALOG LISTING
602HE5-RB1
PAGE 1 OF 1

ISSUE
2

REVISIONS
A PR-21990
K D R
6 FEB 96

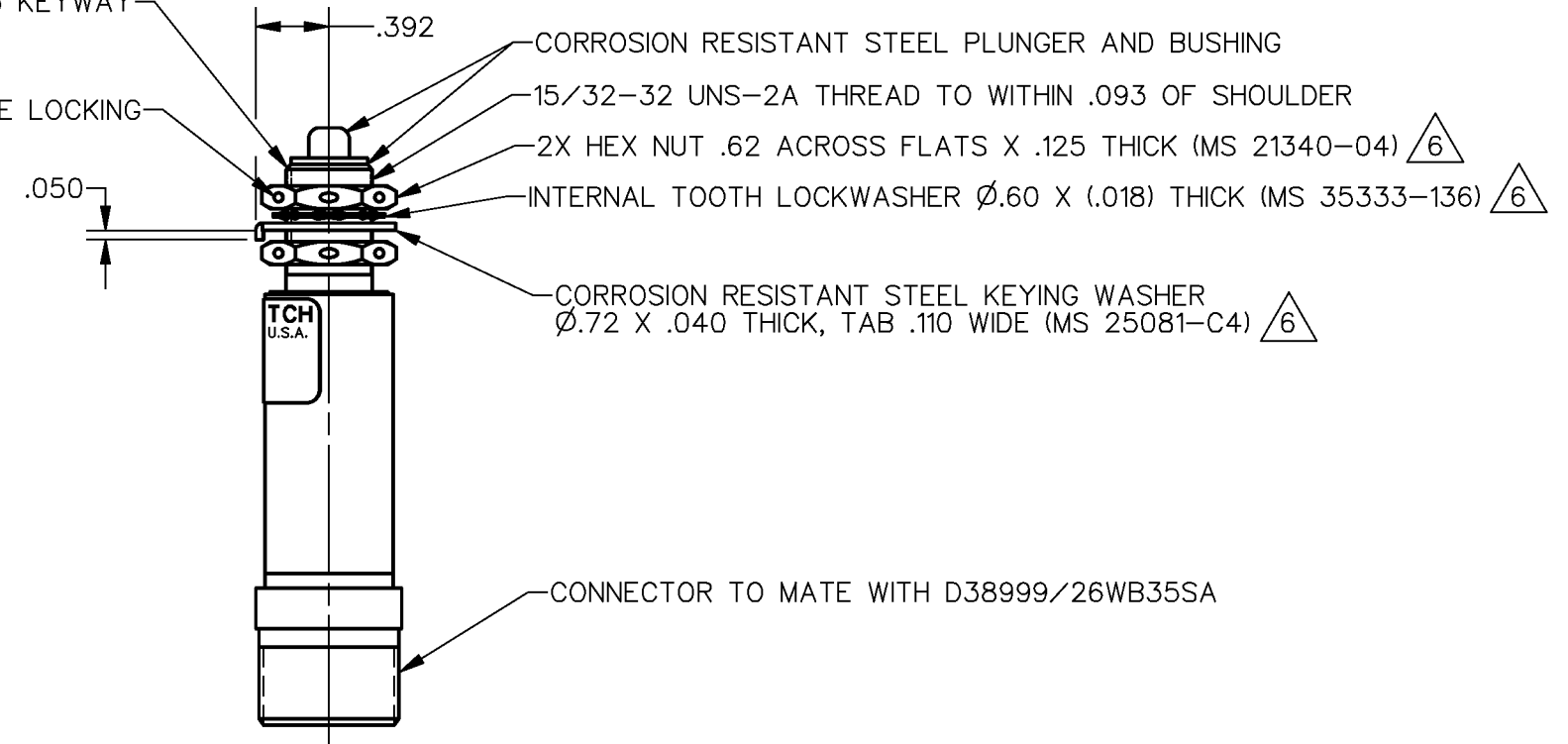
DDM/CAD
DRAWN
K D R
6 FEB 96

REPLACES
PR-21990
CHECK
CHECK



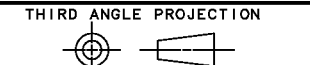
.072 ± .004 WIDE X ∇ .031 ± .003 KEYWAY
TO WITHIN .250 OF SHOULDER

Ø.047 HOLE FOR WIRE LOCKING



- NOTES
- 1 - CORROSION RESISTANT STEEL ENCLOSURE
 - 2 - SWITCH SEALED PER MIL-S-8805 SYMBOL 5 (1×10^{-8} ATM CM³/S)
 - 3 - COINCIDENCE OF OPERATING AND RELEASING POINTS:
.010 INCH OF PLUNGER TRAVEL
 - 4 - CIRCUIT DIAGRAM AND CATALOG LISTING ARE SHOWN ON NAMEPLATE
 - 5 - FOR OPERATION IN TEMPERATURE RANGE OF -65° F (-55° C) TO +257° F (+125° C)
 - 6 - HARDWARE MAY BE PACKAGED UNASSEMBLED PER MIL-S-8805
 - 7 - WEIGHT OF MOUNTING HARDWARE NOT INCLUDED. MOUNTING HARDWARE WEIGHT EQUALS .3 OZ MAX
 - 8 - MECHANICAL LIFE - 50,000 OPERATIONS REFERENCE
ELECTRICAL LIFE - 25,000 OPERATIONS REFERENCE
 - 9 - DIELECTRIC STRENGTH: OPEN CIRCUIT TERMINALS - 800 VRMS
TERMINAL TO CASE - 1000 VRMS

THIS DRAWING COVERS A PROPRIETARY ITEM AND IS THE PROPERTY OF MICRO SWITCH, A DIVISION OF HONEYWELL. THIS DRAWING IS NOT TO BE COPIED OR USED WITHOUT THE APPROVAL OF MICRO SWITCH



CHARACTERISTICS	
OPERATING FORCE	10 LB MAX
RELEASE FORCE	1 LB MIN
PRETRAVEL	.020-.030
DIFFERENTIAL TRAVEL	.020 MAX
OVERTRAVEL	.125 MIN
FULL OVERTRAVEL FORCE	30 LB MAX

ELECTRICAL DATA		
CONTACT ARRANGEMENT 2X SPDT		
LOAD	28 VDC	
	SEA LEVEL	70,000 FT
RES	4	4
IND	1	1
LAMP	2	2

SCALE FULL	
DO NOT SCALE PRINT	
UNLESS OTHERWISE SPECIFIED TOLERANCES ARE	
ONE PLACE	(.0) ± .030
TWO PLACE	(.00) ± .015
THREE PLACE	(.000) ± .005
ANGLES	±
WEIGHT	3.0 OZ MAX 7

ANSI Y14.5M-1982 APPLIES

Mouser Electronics

Authorized Distributor

Click to View Pricing, Inventory, Delivery & Lifecycle Information:

[Honeywell:](#)

[602HE5-RB1](#)