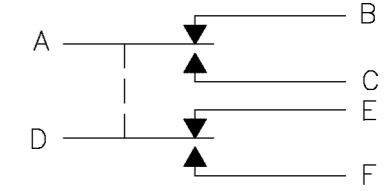


**MICRO SWITCH**  
a Honeywell Division

FED. MFG. CODE 91929

SWITCH-ENCLOSED

CATALOG LISTING  
602HE148-RB



CIRCUIT DIAGRAM

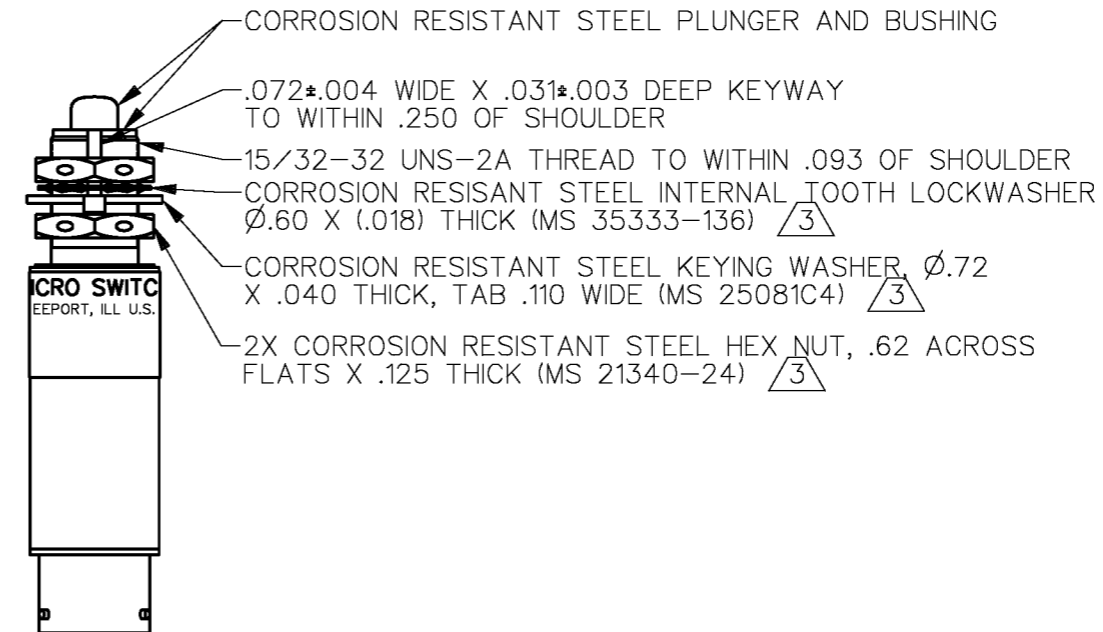
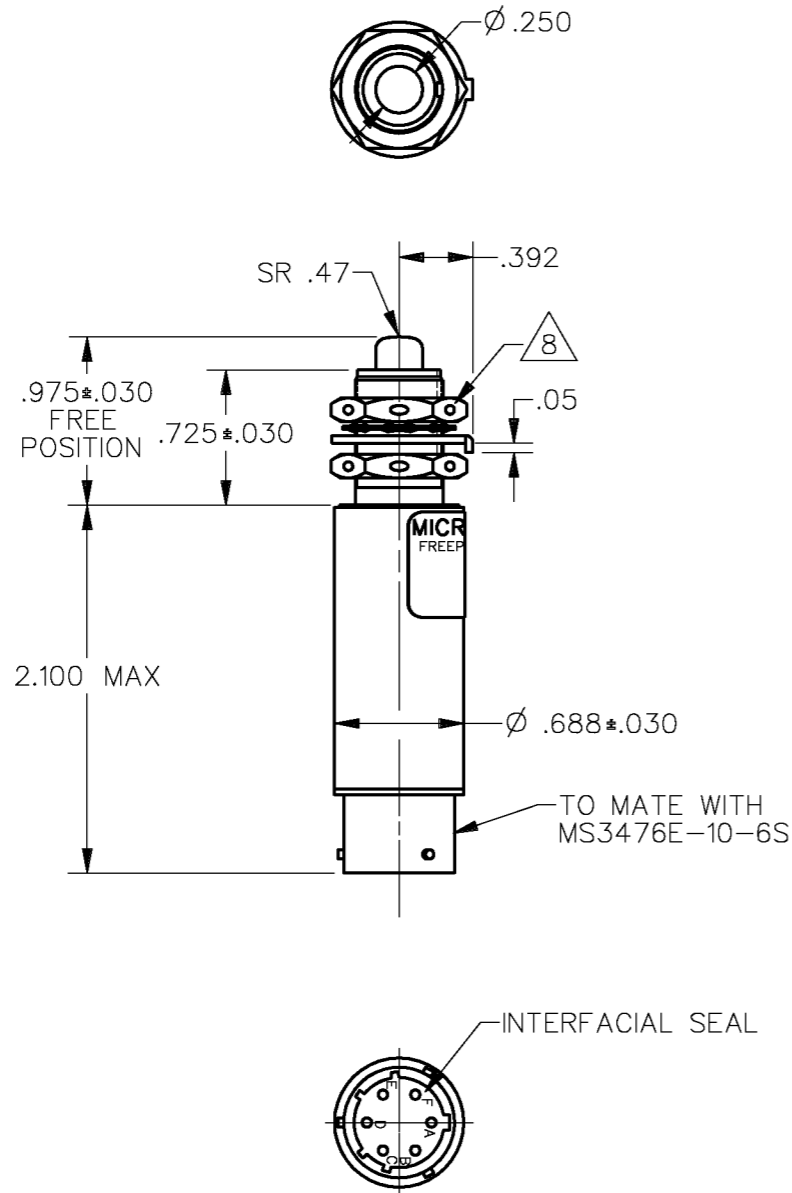
CATALOG LISTING  
602HE148-RB  
PAGE 1 OF 1

ISSUE  
4

REVISIONS

A	PR-20595	14 JUNE 93
B	CO-81044A	27 JUL 95
C	0033012	20 AUG 07

DDM/CAD	DRAWN	S A V	14 JUNE 93	CHECK	T S M	21 JUNE 93	CHECK	PSR	20 AUG 07



- NOTES
- 1 - CORROSION RESISTANT STEEL ENCLOSURE
  - 2 - SWITCH SEALED PER MIL-PRF-8805 SYMBOL 5
  - 3 - HARDWARE MAY BE PACKAGED UNASSEMBLED PER MIL-PRF-8805
  - 4 - CIRCUIT DIAGRAM AND CATALOG LISTING ARE SHOWN ON LABEL
  - 5 - COINCIDENCE OF OPERATING AND RELEASING POINTS: .010 INCH OF PLUNGER TRAVEL
  - 6 - FOR OPERATION IN TEMPERATURE OF -65°F TO +257°F
  - 7 - GOLD CONTACTS
  - 8 - 6X Ø.047 HOLE FOR WIRE LOCKING

THIS DRAWING COVERS A PROPRIETARY ITEM AND IS THE PROPERTY OF MICRO SWITCH, A DIVISION OF HONEYWELL. THIS DRAWING IS NOT TO BE COPIED OR USED WITHOUT THE APPROVAL OF MICRO SWITCH		THIRD ANGLE PROJECTION
CHARACTERISTICS		SCALE FULL
OPERATING FORCE	5 -12 LB	DO NOT SCALE PRINT
FULL OVERTRAVEL FORCE	30 LB MAX	UNLESS OTHERWISE SPECIFIED TOLERANCES ARE
RELEASE FORCE	3 LB MIN	
PRETRAVEL	.040 MAX	ONE PLACE (.0) ±.030
DIFFERENTIAL TRAVEL	.020 MAX	TWO PLACE (.00) ±.015
OVERTRAVEL	.125 MIN	THREE PLACE (.000) ±.005
ELECTRICAL DATA		ANGLES ±
CONTACT ARRANGEMENT		WEIGHT
2X SPDT 7		
28 VDC		
LOAD	SEA LEVEL 50,000 FT.	
RES	1 1	
IND	.5 .5	
MOTOR		
LAMP		

ANSI Y14.5M-1982 APPLIES

# Mouser Electronics

Authorized Distributor

Click to View Pricing, Inventory, Delivery & Lifecycle Information:

[Honeywell:](#)

[602HE148-RB](#)