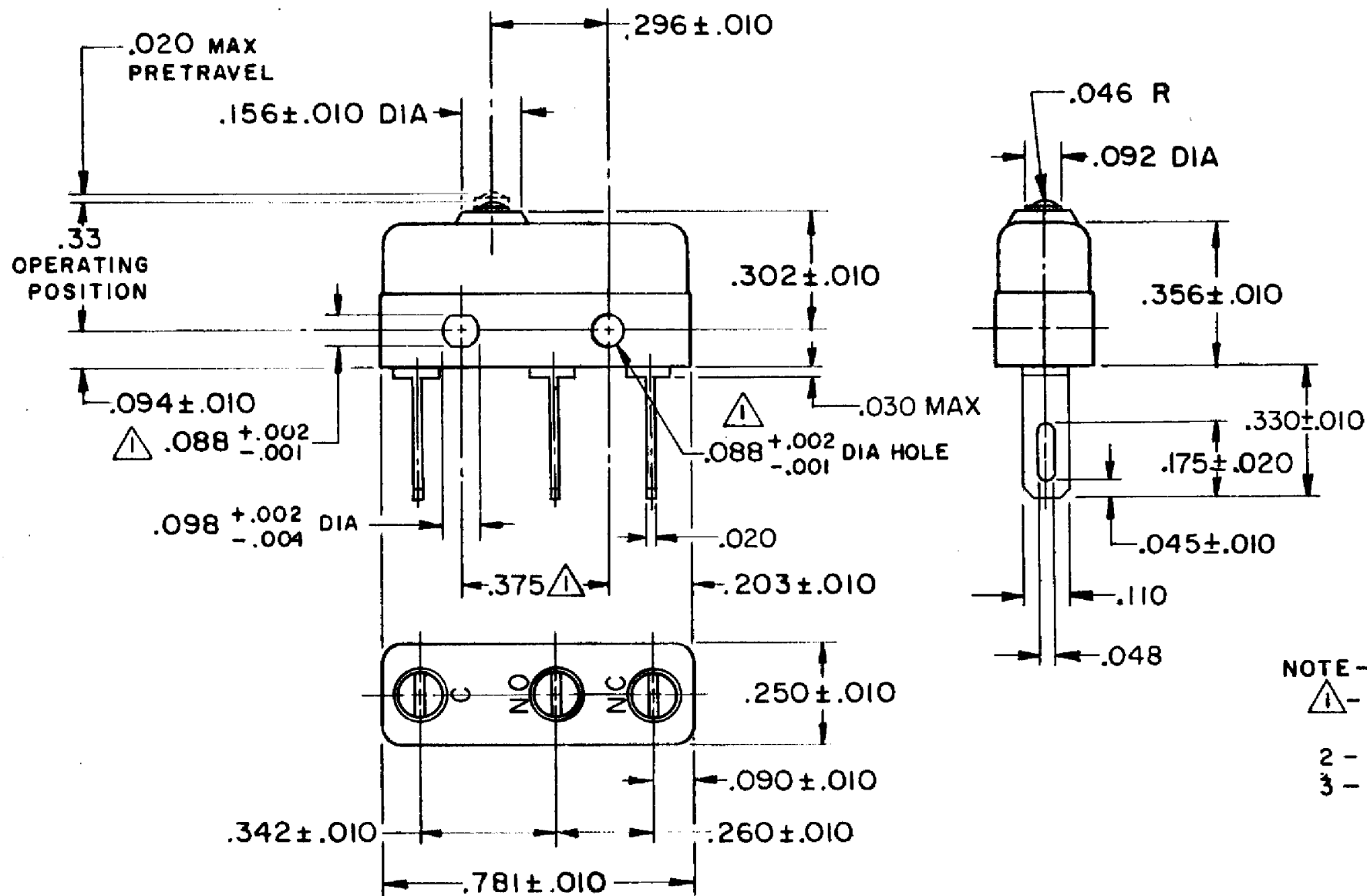
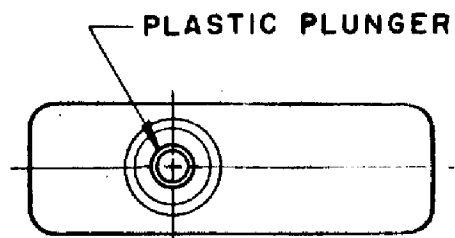


HONEYWELL PART NUMBER
11SM7601-H4
PRODUCT CODE TWZ4500

REV	DOCUMENT	CHANGED BY	CHECK
9	0041782	PK 21JUL08	ASD



NOTE -  
 1 - MOUNTING HOLES WILL ACCEPT PINS OR SCREWS OF .087 MAX DIA ON .375 ± .002 CENTERS  
 2 - TERMINALS ARE PLATED FOR SOLDERING  
 3 - SWITCH WILL WITHSTAND TEMPERATURE OF 250° F

RELEASE NO.	PR - 3414
REPLACES	-

CHARACTERISTICS	
OPERATING FORCE - -	56 GRAM MAX
RELEASE FORCE - - - -	14 GRAM MIN
DIFFERENTIAL TRAVEL - - -	.002 MAX
OVERTRAVEL - - - - -	.005 MIN

ELECTRICAL DATA		
CONTACT ARRANGEMENT SPDT		
30 VOLTS DC RATING		
	SEA LEVEL	50,000 FT
INDUCTIVE	3 AMP	2.5 AMP
RESISTIVE	5 AMP	5 AMP
MAXIMUM INRUSH 24 AMP		
APPROVALS	UL, CSA	4A 250 VAC 1/10 HP 125 VAC
	BRAND	L185

DESIGN UNITS: INCH
TOLERANCES UNLESS NOTED:
NO PLACE X ±
ONE PLACE .X ±
TWO PLACE .XX ±
THREE PLACE .XXX ±
FOUR PLACE .XXXX ±
ANGLES ±
THIRD ANGLE PROJECTION

DRAWN	VK	15 FEB 08
CHECK	RJ	15 FEB 08
THIS DRAWING COVERS A PROPRIETARY ITEM AND IS THE PROPERTY OF HONEYWELL. THIS DRAWING IS NOT TO BE COPIED OR USED WITHOUT THE PERMISSION OF HONEYWELL.		
INTERPRET PER ANSI Y14.5M-1982 OTHER HONEYWELL ENGINEERING STANDARDS MAY APPLY		
RASTER		

<b>Honeywell</b>			
TITLE SWITCH - BASIC			
SIZE	TYPE	DRAWING NAME	REV
B	I	11SM7601-H4	9
SCALE	-	WEIGHT .006 LB MAX	SHEET 1 OF 1

# Mouser Electronics

Authorized Distributor

Click to View Pricing, Inventory, Delivery & Lifecycle Information:

[Honeywell:](#)

[11SM7601-H4](#)