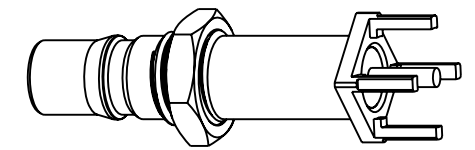


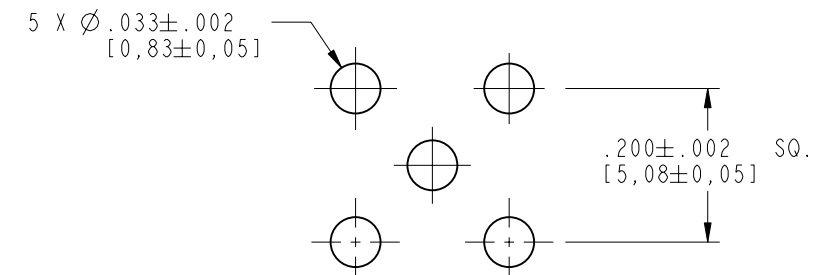
NOTES:

- DO NOT SCALE THIS DRAWING.
- MATERIALS AND FINISHES:  
 BODY - BRASS, GOLD PLATING.  
 CONTACT - BeCu, GOLD PLATING (.000050" THICK MIN) OVER COPPER (.000100" THICK MIN).  
 INSULATOR - PTFE.  
 HEX NUT - BRASS, GOLD FLASH.
- ELECTRICAL:  
 A. IMPEDANCE: 50 OHM  
 B. FREQUENCY RANGE: DC - 6 GHz  
 C. VSWR(RETURN LOSS): 1.15 MAX.  
 (SINGLE CONNECTOR TERMINATED, NO PCB LAUNCH INCLUDED)
- PHYSICAL:  
 A. DURABILITY: 100 CYCLES MIN.  
 B. TEMPERATURE RANGE: -40°C - +80°C
- PACKAGING:  
 A. QUANTITY: SINGLE PACK  
 B. MARKING: BAG TO BE MARKED  
 "AMPHENOL, 930-163J-51P, AND DATE CODE"

930-163J-51P		REVISIONS			
DRAWING NO.	REV	DESCRIPTION	DATE	ECO	APPR
THIRD ANGLE PROJ.	A	RELEASED TO MFG.	2/7/08	46957	NMV
	B	SEE SHEET 1	3/5/08	46978	MY

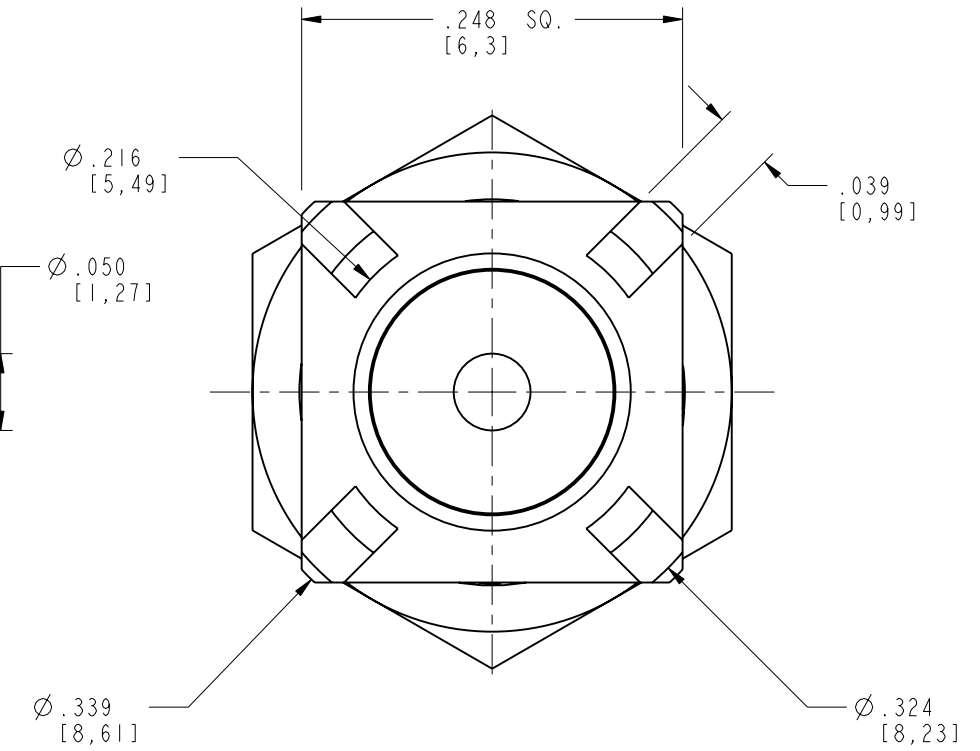
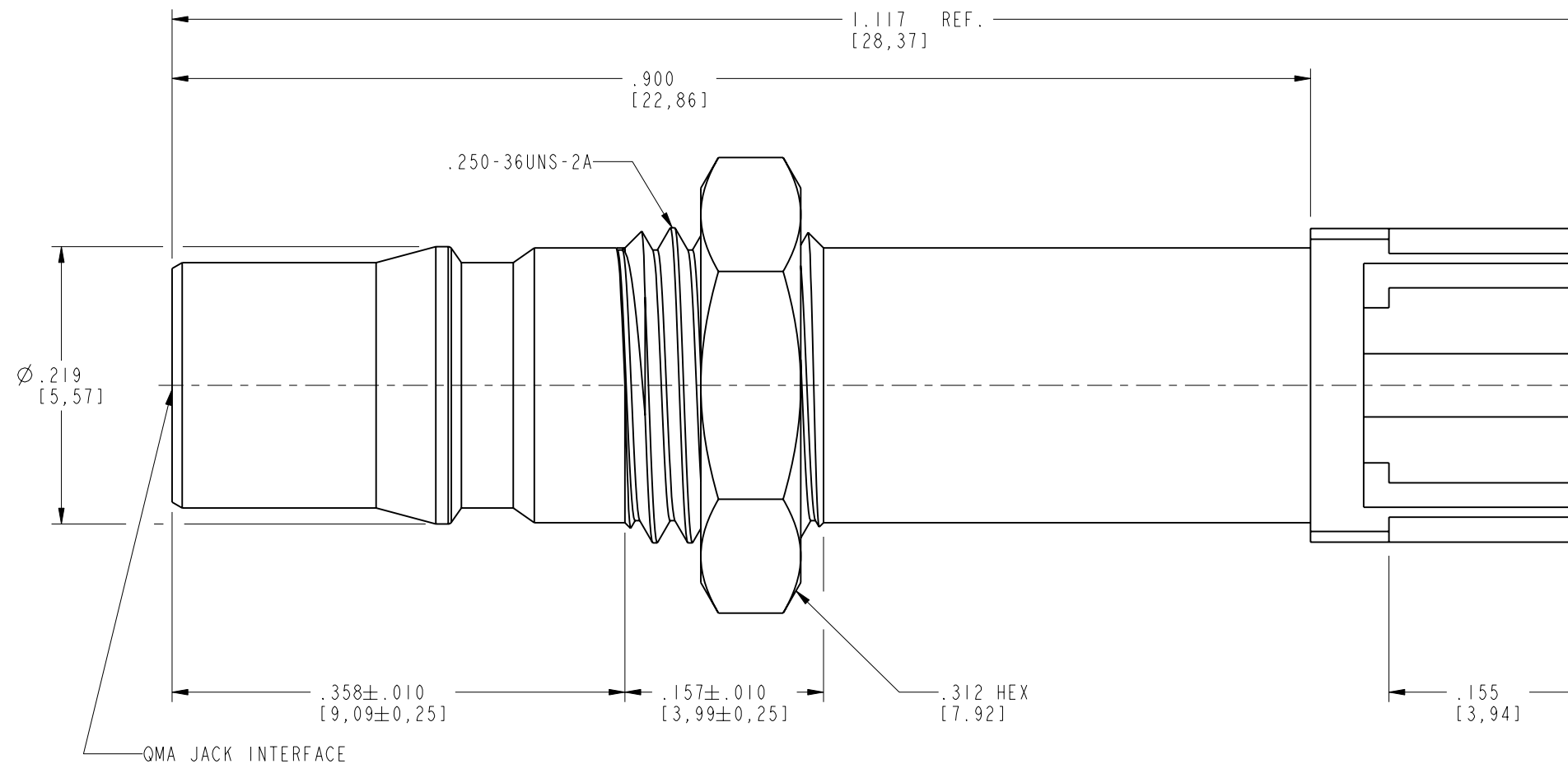


SCALE 2.000



RECOMMENDED PANEL CUTOUT

SCALE 4.000



**CUSTOMER OUTLINE DRAWING**

ALL OTHER SHEETS ARE FOR INTERNAL USE ONLY

UNLESS OTHERWISE SPECIFIED, DIMENSIONS ARE IN INCHES AND TOLERANCES ARE:  
 2 PLACE DECIMAL 3 PLACE DECIMAL ANGLES  
 ±.015 (0,381 mm) ±.005 (0,127 mm) ± 1°

NOTICE - These drawings, specifications, or other data (1) are, and remain the property of Amphenol Corp. (2) must be returned upon request; and (3) are confidential and not to be disclosed to any person other than those to whom they are given by Amphenol Corp. The furnishing of these drawings, specifications, or other data by Amphenol Corp., or to any other person to anyone for any purpose is not to be regarded by implication or otherwise in any manner licensing, granting rights or permitting such holder or any other person to manufacture, use or sell any product, process or design, patented or otherwise, that may in any way be related to or disclosed by said drawings, specifications, or other data.

MATERIAL	DRAWN	DATE	TITLE
REFERENCE	M. YU	3/3/06	QMA JACK PC MOUNT RECEPTACLE
EAR 2026	ENGINEER	DATE	Amphenol RF Danbury, CT, USA Tainan, Taiwan Shenzhen, China www.amphenolrf.com
	M. YU	3/3/06	SCALE: 8.0:1 SHEET 2 OF 2
	APPROVED	DATE	
	M. HOYACK	2/7/08	
	CAD FILE	CODE ID	DWG SIZE
	I:\QMA\930-163J-51P	74868	B

DRAWING NO.	REV	DESCRIPTION	DATE	ECO	APPR
930-163J-51P	B	SEE SHEET 1	3/5/08	46978	MY

DRAWING NO.	REV	DESCRIPTION	DATE	ECO	APPR
930-163J-51P	B	SEE SHEET 1	3/5/08	46978	MY

# Mouser Electronics

Authorized Distributor

Click to View Pricing, Inventory, Delivery & Lifecycle Information:

[Amphenol:](#)

[930-163J-51P](#)