

NOTES:

1. MATERIALS AND FINISHES:

BODY - BRASS, GOLD PLATED (.000010 MIN.) OVER WHITE BRONZE (.000080 MIN.)  
 CONTACT - BERYLLIUM COPPER, GOLD PLATED (.000030 MIN.) OVER WHITE BRONZE (.000080 MIN.)  
 INSULATORS - TFE FLUOROCARBON

2. ELECTRICAL:

A. IMPEDANCE: 50 OHM, NOMINAL  
 B. FREQUENCY RANGE: DC - 6.0 GHz  
 C. VSWR(RETURN LOSS): 1.300 (-17.7 dB), MAX.  
 D. D.W.V.: 1000 VRMS, MIN.

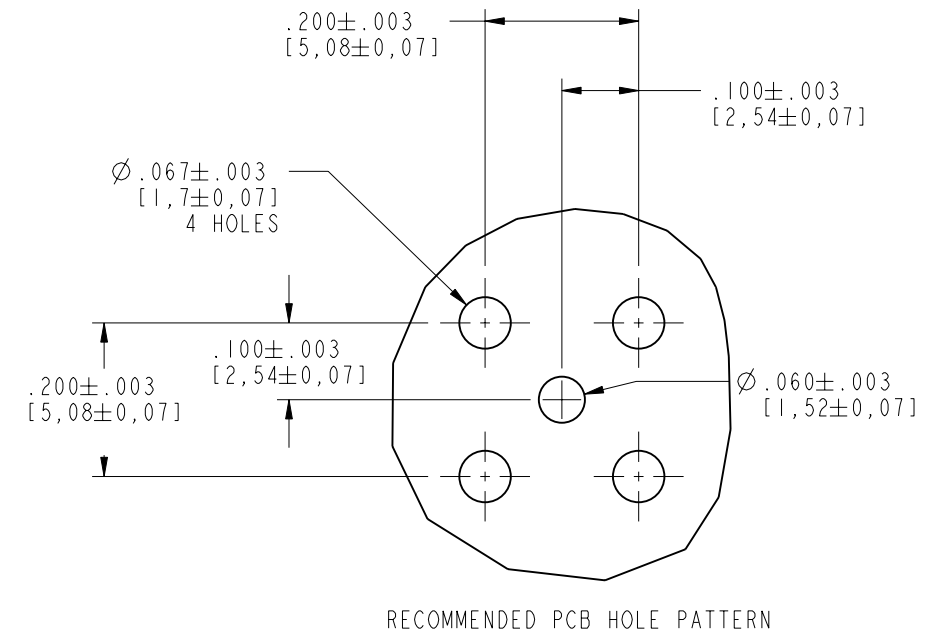
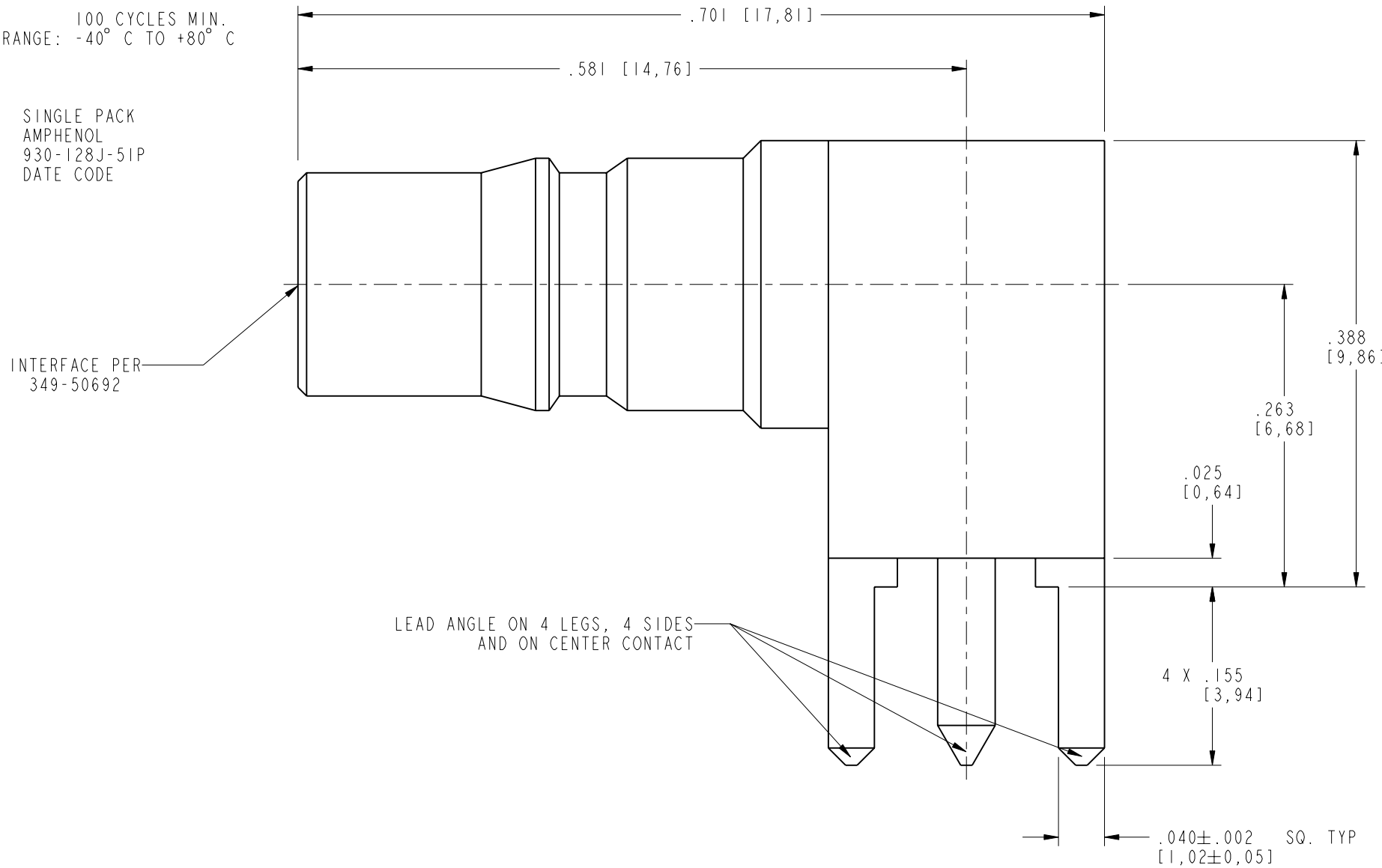
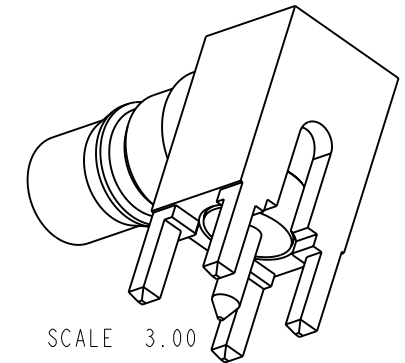
3. MECHANICAL:

A. DURABILITY: 100 CYCLES MIN.  
 B. TEMPERATURE RANGE: -40° C TO +80° C

4. PACKAGING:

A. QUANTITY: SINGLE PACK  
 B. BAG MARKING: AMPHENOL  
 930-128J-51P  
 DATE CODE

930-128J-51P		REVISIONS			
DRAWING NO.	REV	DESCRIPTION	DATE	ECO	APPR
THIRD ANGLE PROJ.	A	RELEASE TO MFG	7/23/04	45076	BCG



INTERFACE PER  
349-50692

**CUSTOMER OUTLINE DRAWING**

ALL OTHER SHEETS ARE FOR INTERNAL USE ONLY

UNLESS OTHERWISE SPECIFIED, DIMENSIONS ARE IN INCHES AND TOLERANCES ARE: 2 PLACE DECIMAL ±.015 (0,381 mm) 3 PLACE DECIMAL ±.005 (0,127 mm) ANGLES ± 1°	MATERIAL	DRAWN B.C. GLEISSNER	DATE 11-Jun-04	TITLE QMA JACK RIGHT ANGLE PC MOUNT		<b>Amphenol RF</b> Danbury, CT, USA Tainan, Taiwan Shenzhen, China <a href="http://www.amphenolrf.com">www.amphenolrf.com</a>	
	REFERENCE 615X-2056-100	ENGINEER B.C. GLEISSNER	DATE 11-Jun-04				
NOTICE - These drawings, specifications, or other data (1) are, and remain the property of Amphenol Corp. (2) must be returned upon request; and (3) are confidential and not to be disclosed to any person other than those to whom they are given by Amphenol Corp. The furnishing of these drawings, specifications, or other data by Amphenol Corp., or to any other person to anyone for any purpose is not to be regarded by implication or otherwise in any manner licensing, granting rights or permitting such holder or any other person to manufacture, use or sell any product, process or design, patented or otherwise, that may in any way be related to or disclosed by said drawings, specifications, or other data.	EAR# 1186 GEN# ASSYF8-QMA	APPROVED O. BARTHELMES	DATE 7/23/04	CODE ID 74868	DWG SIZE B	DRAWING NO. 930-128J-51P	REV A
					SCALE: 8.0:1 SHEET 2 OF 2		

# Mouser Electronics

Authorized Distributor

Click to View Pricing, Inventory, Delivery & Lifecycle Information:

[Amphenol:](#)

[930-128J-51P](#)