

NOTES:

1. MATERIALS AND FINISHES:

- FRONT BODY - BRASS, GOLD PLATING (.000010" THICK MIN)
- REAR BODY - ZINC, GOLD PLATING (.000003" THICK MIN)
- CONTACT - BeCu, GOLD PLATING (.000030" THICK MIN)
- INSULATORS - PTFE, NATURAL

2. ELECTRICAL:

- A. IMPEDANCE: 50 OHM, NOMINAL
- B. FREQUENCY RANGE: DC - 6 GHz
- C. VSWR(RETURN LOSS): DC - 3 GHz 1.05 (32 dB), MAX.
3 - 6 GHz 1.08 (28 dB), MAX.
- D. D.W.V.: 500 VRMS, MIN.

3. MECHANICAL:

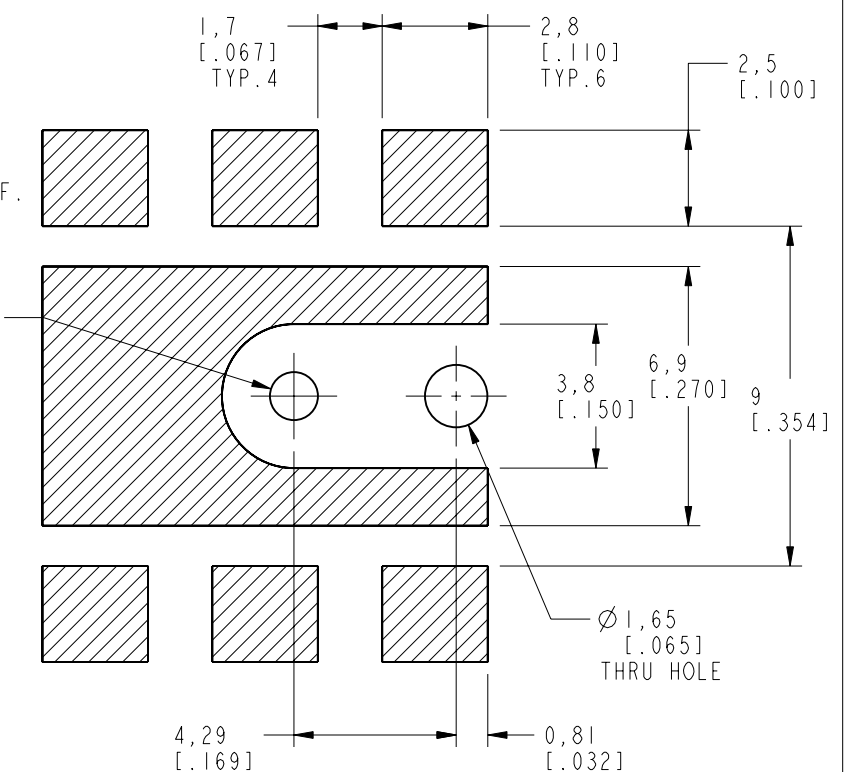
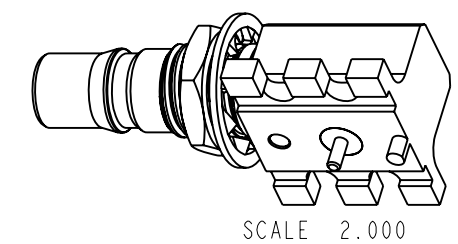
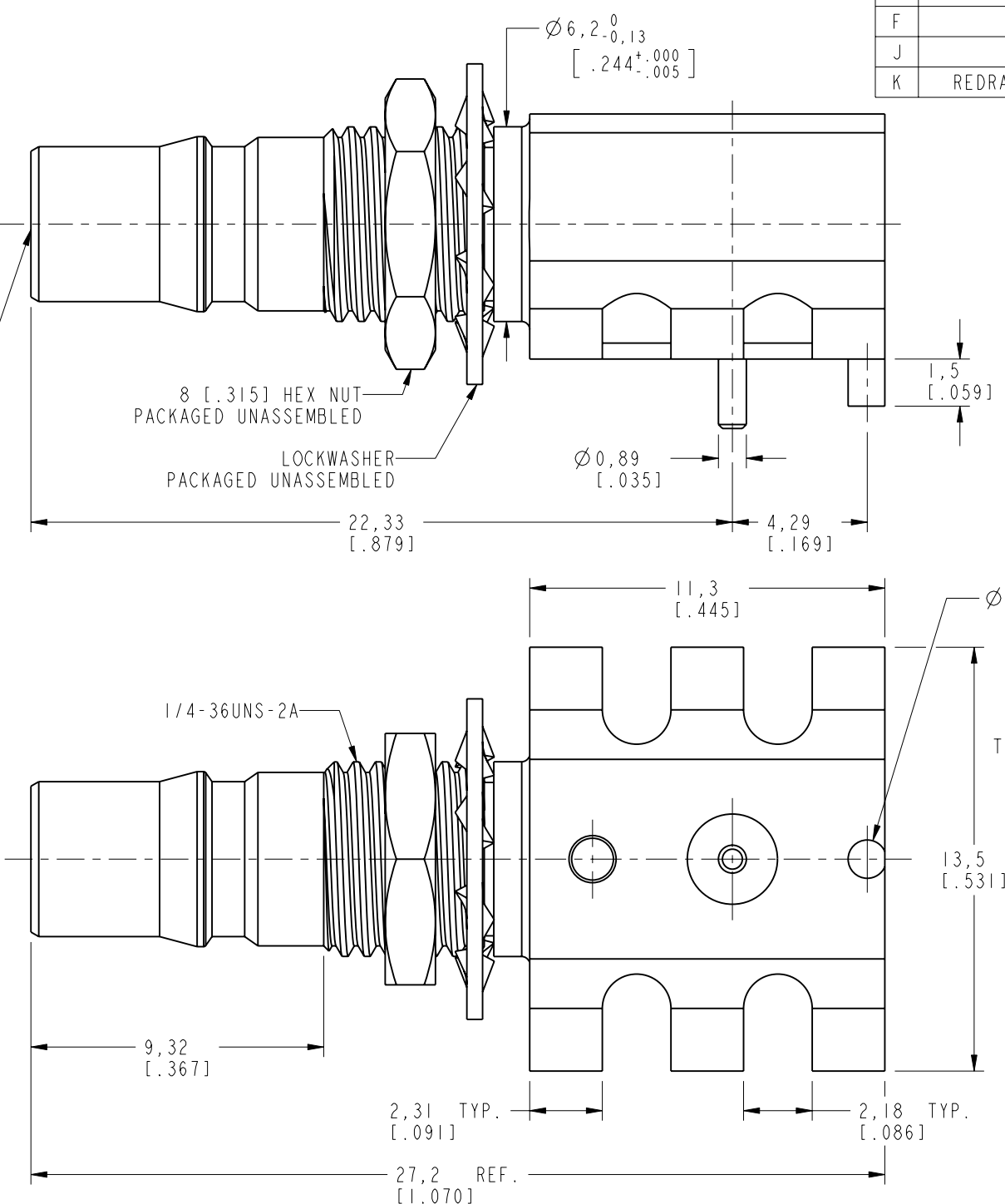
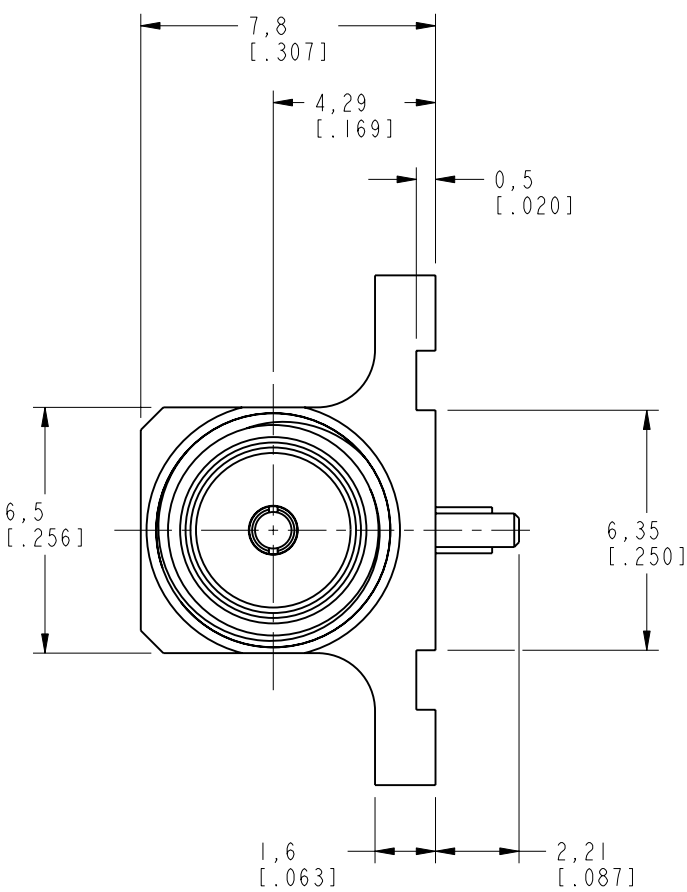
- A. DURABILITY: 500 CYCLES MIN.
- B. TEMPERATURE RANGE: -65° C TO 165° C

THIRD ANGLE PROJ.

REVISIONS

REV	DESCRIPTION	DATE	ECO	APPR
B	SEE SHEET 1	20-Mar-07	----	AW
E	SEE SHEET 1	25-Dec-08	----	SH
F	Ø1.22 WAS R0.61\RD-DM08121902K	26-Dec-08	----	SH
J	SEE SHEET 1\RD-DM10020801K	25-Jun-10	48139	SH
K	REDRAWN IN THE PRO-E & UPDATE PCB LAYOUT\N/A	18-Feb-17	50588	HP

QMA INTERFACE
PER AMPHENOL SPEC.
349-50692



RECOMMENDED PCB LAYOUT

CUSTOMER OUTLINE DRAWING
ALL OTHER SHEETS ARE FOR INTERNAL USE ONLY

UNLESS OTHERWISE SPECIFIED, DIMENSIONS ARE IN METRIC AND TOLERANCES ARE:
 < 0.5mm ± 0.05mm 0.5 - 6mm ± 0.1mm 6 - 30mm ± 0.2mm 30 - 120mm ± 0.3mm ANGLES ± 1°

NOTICE - These drawings, specifications, or other data (1) are, and remain the property of Amphenol corp. (2) must be returned upon request; and (3) are confidential and not to be disclosed to any person other than those to whom they are given by Amphenol Corp. the furnishing of these drawings, specifications, or other data by Amphenol Corp., or to any other person to anyone for any purpose is not to be regarded by implication or otherwise in any manner licensing, granting rights to permitting such holder or any other person to manufacture, use or sell any product, process or design, patented or otherwise, that may in any way be related to or disclosed by said drawings, specifications, or other data.

MATERIAL	SEE NOTES
REFERENCE	EAR #802 ASSYF3_QMA 615X-1861-100
FINISH	

DRAWN	M. ZHANG	DATE	01-Jun-15
ENGINEER	G. WANG	DATE	20-Mar-07
APPROVED	S. HSIEH	DATE	01-Jun-15
CAD FILE			

TITLE		QMA RECEPTACLE SURFACE MOUNT	
SCALE:	5.0:1.0	SHEET	2 OF 2
DWG SIZE	B	REV	K

Amphenol RF	
www.amphenolrf.com	
DRAWING NO.	930-111J-51P
ITEM NO.	930-111J-51P
PART NO.	930-111J-51P

Mouser Electronics

Authorized Distributor

Click to View Pricing, Inventory, Delivery & Lifecycle Information:

[Amphenol:](#)

[930-111J-51P](#)