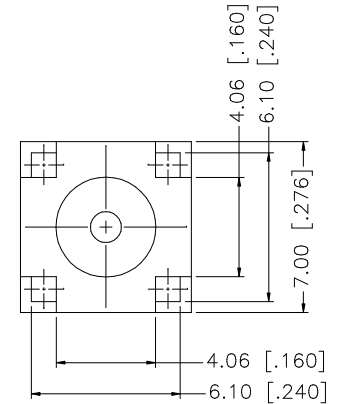
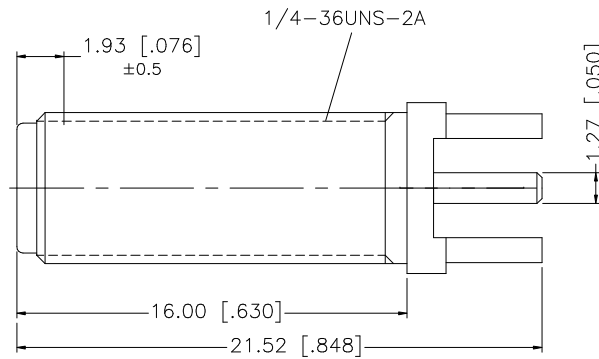
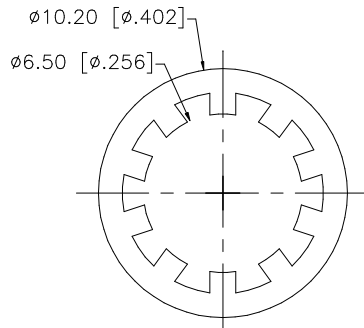
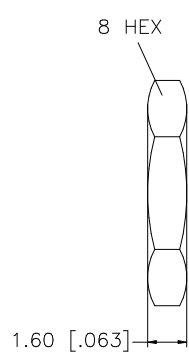
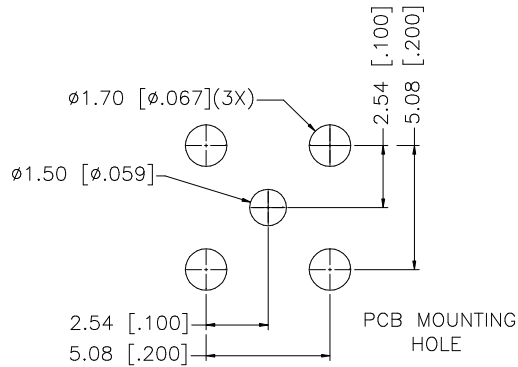


REV.	DATE	DESCRIPTION
A	01/30/04	UPDATE DRAWING FORMAT



NOTE:

1. MAX. PANEL THICKNESS = 7.5mm

QTY	FINISH	MATERIAL	DESCRIPTION
1	GOLD	BRASS	BODY
1	NATURAL	TEFLON	INSULATOR
1	GOLD	BER. COPPER	CONTACT PIN
1	GOLD	BRASS	LOCK WASHER
1	GOLD	BRASS	HEX NUT

UNLESS OTHERWISE SPECIFIED DIMENSIONS ARE IN MILLIMETERS. DIMENSIONS IN [] ARE IN INCHES AND FOR CUSTOMER REFERENCE ONLY.

UNLESS OTHERWISE SPECIFIED TOLERANCES FOR MILLIMETERS ARE:
 0.5 - 8mm ± 0.20 mm
 8 - 30mm ± 0.40 mm
 30 - 120mm ± 0.50 mm

UNLESS OTHERWISE SPECIFIED TOLERANCES FOR INCHES ARE:
 .020 - .315 = ± 0.007 "
 .315 - 1.180 = ± 0.015 "
 1.180 - 4.724 = ± 0.020 "

DO NOT SCALE DRAWING

APPROVALS	DATE
DRAWN G.R.S.	01/30/04
CHECKED	
ISSUED	
SHEET 1 OF 1	
CAD FILE C:/132/132291.DWG	

Amphenol Connex			
PART DESCRIPTION			
SMA BULKHEAD P.C. MOUNT JACK			
PART NO. 132291			
DWG. NO.	132291.DWG	REV. A	SIZE A
SCALE	NA		

Mouser Electronics

Authorized Distributor

Click to View Pricing, Inventory, Delivery & Lifecycle Information:

[Amphenol:](#)

[132291](#)