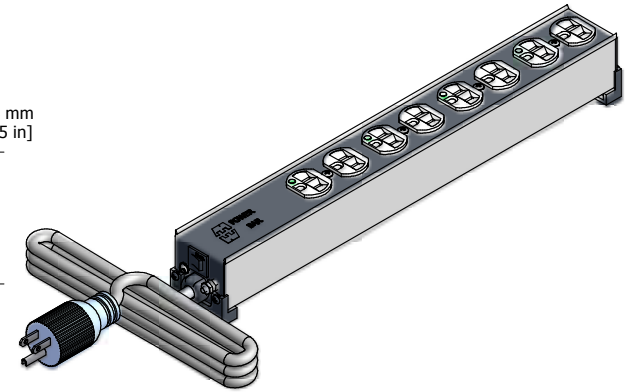
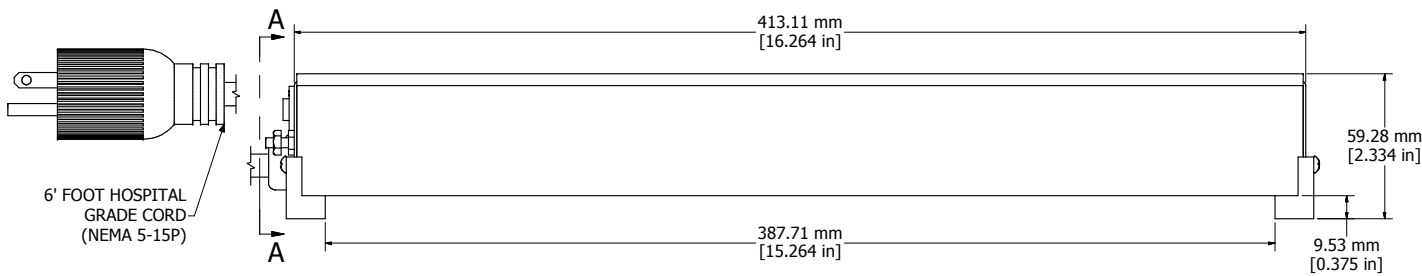


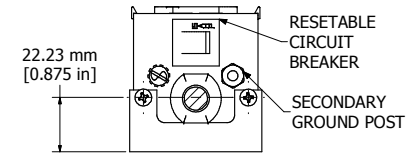
ASSEMBLY - VIEW FROM TOP



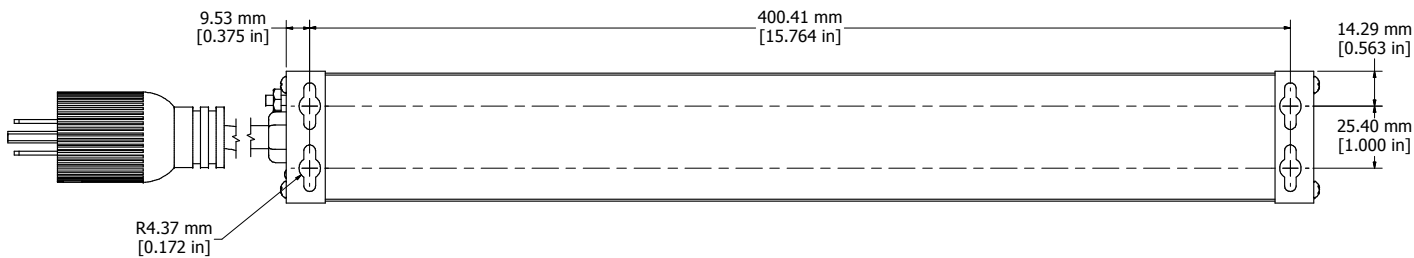
ISOMETRIC VIEW



ASSEMBLY - VIEW FROM SIDE



SECTION A-A



ASSEMBLY - VIEW FROM BOTTOM

1584T8DH6	
Finish - Top - Black Painted Steel	
Bottom - Aluminum Extrusion	
Rated - 120 VAC, 60 Hz, 15 Amps	
Approvals - CSA Certified Standards C22.2 (No. 21-95, 42-99),	
Cord Sets no. 8 - Hospital Grade Powerbars (Canada Only)	
- TUVus Certified to UL60601-1 & UL1363	
Cord Length	
1584T8DH6 - 6' Foot Power Cord (NEMA 5-15P)	
1584T8DH - 12' Foot Power Cord (NEMA 5-15P)	



Mouser Electronics

Authorized Distributor

Click to View Pricing, Inventory, Delivery & Lifecycle Information:

[Hammond:](#)

[1584T8DH6](#) [1584T8DH](#)