

PRODUCT NUMBER
98424-X52-XX-XXXLF

- PLATING _____
- S = 0.38µm GOLD/GXT ON CONTACT AREA
2µm MIN MATTE TIN ON TAIL
 - G = 0.76µm GOLD/GXT ON CONTACT AREA
2µm MIN MATTE TIN ON TAIL
 - F = GOLD FLASH ON CONTACT AREA
2µm MIN MATTE TIN ON TAIL
 - T = 2.0-6.0µm FULL MATTE TIN
 - 1.27µm Ni MIN UNDERLAYER
- RoHS COMPATIBLE, SEE NOTE 8
- POLARIZATION (SEE NOTE 7)
- PACKAGING OPTIONAL LETTER (SEE NOTE 5)
- TOTAL NB OF POSITIONS, 04 TO 50
- COLOR OPTION NOTE 1

NOTES:

1. MATERIAL HOUSING: HIGH TEMP. THERMOPLASTIC UL-94VO
 - = STANDARD COLOR CREAM
 B = OPTIONAL COLOR BLACK
2. MATERIAL TERMINAL: COPPER ALLOY
3. TO DETERMINE DIMENSIONS:
 N = NUMBER OF POSITIONS PER ROW
4. 7N MIN. PIN RETENTION IN EITHER DIRECTION.
5. PACKAGING:
 = STANDARD PACKAGING IN POLYBAGS
 - = POLYBAGS PACKAGING WHEN POLARISATION FEATURE APPLICABLE
 U = TUBE AVAILABLE FROM 08 TO 50 POS
 A = TAPE AND REEL WITH PICK UP CAP INSTALLED IN THE CENTER OF THE PRODUCT FOR PICK AND PLACE, SEE TA884 FOR AVAILABILITY.
 K = TAPE AND REEL WITHOUT PICK UP CAP
 C = TAPE AND REEL WITH SPECIAL LARGE CAP, ONLY FOR 98424-Y52-06CLF FOR ALL SPECIAL PACKAGING, FCI TO BE CONTACTED
 UV = TUBE WITHOUT PICK UP CAP FOR CUSTOMER DEDICATED PART
 AV = TAPE & REEL WITH PICK UP CAP FOR CUSTOMER DEDICATED PART
 KV = TAPE & REEL WITHOUT PICK UP CAP FOR CUSTOMER DEDICATED PART

6. DIM "C" = (N x 2) + 1.4
 EXAMPLE: N = 7
 DIM "C" = (7 x 2) + 1.4 = 15.4 mm

7. FOR POLARIZATION, SPECIFIED PIN
 EXAMPLE : A03 = ROW A, POSITION 03 TO OMIT PIN
 OMIT FROM PRODUCT NUMBER IF THIS FEATURE IS NOT APPLICABLE

8. RoHS COMPATIBLE PRODUCT SPECIFICATIONS

a - PLATING:

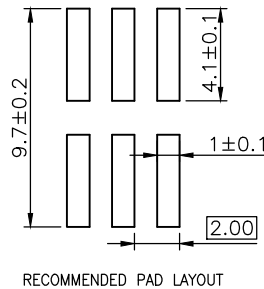
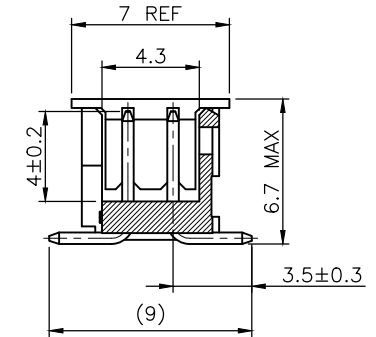
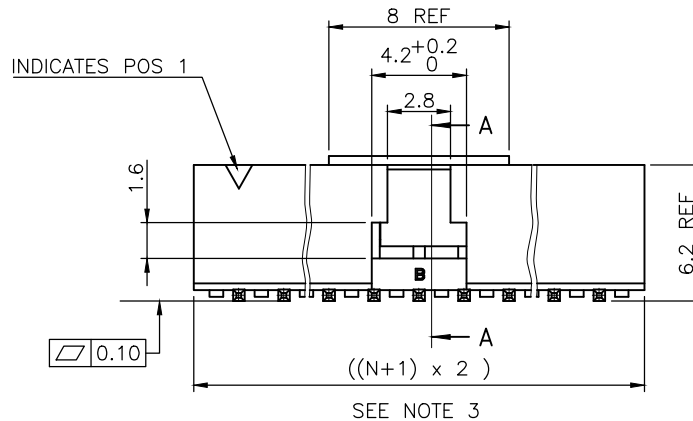
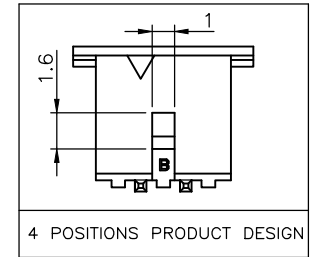
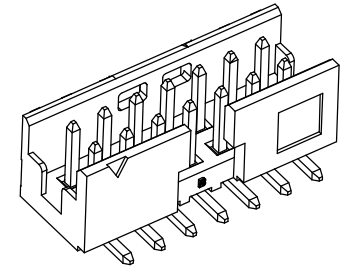
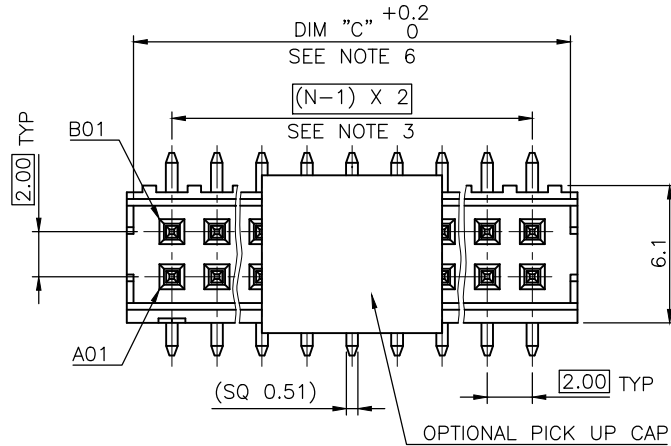
- "LF" MEANS THE PRODUCT IS LEAD-FREE,
2µm MINIMUM MATTE TIN OVER 1.27µm MINIMUM NICKEL UNDERPLATE.

b - MANUFACTURING PROCESS COMPATIBILITY

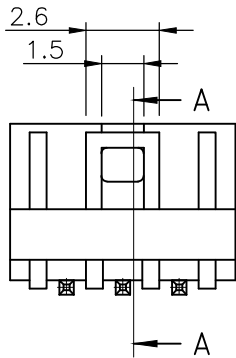
- THE HOUSING WILL WITHSTAND EXPOSURE TO 260°C PEAK TEMPERATURE FOR 30 SECONDES MAX IN A CONVECTION, INFRA-RED OR VAPOR PHASE OR REFLOW OVEN.

c - LABELLING:

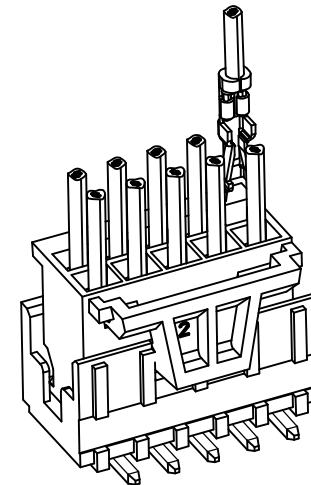
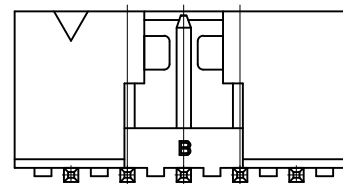
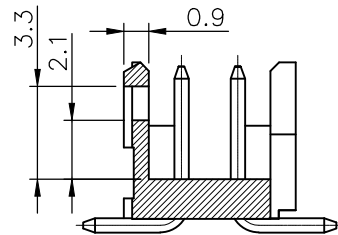
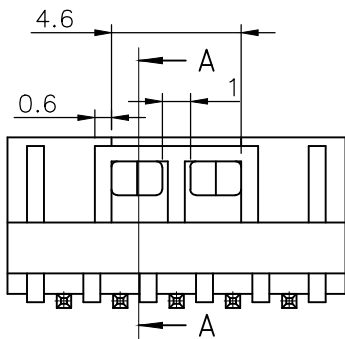
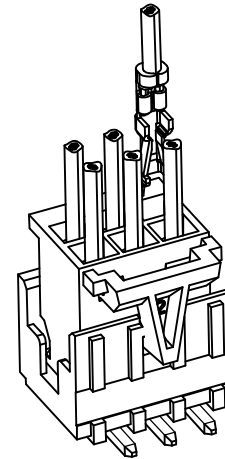
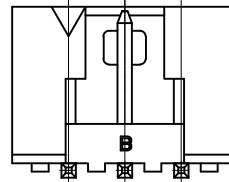
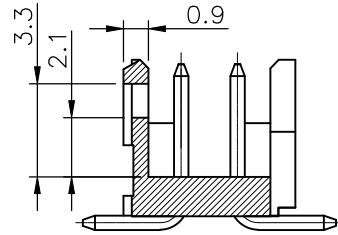
- MEETS PACKAGING SPECS AS PER GS-14-920
- THIS PRODUCT MEETS EUROPEAN DIRECTIVES AND OTHER COUNTRY REGULATIONS AS DISCRIBED IN GS-47-0004.



mat'l. code SEE NOTES		surface ISO 1302 ✓	tolerance ISO 406 ISO 101	projection mm	product family MINITEK
ltr	ecn no dr date	tolerances unless otherwise specified		mm	title SHR HEADER 2.00 VERTICAL SMT
N	F10-0007 JCO 10.01.28	angles	X.X ±0.3		scale 1:1
P	F11-0071 JCO 11.06.17	linear	X.XX ±0.13	FCI	dwg no 98424
R	B-18975 LMU 14.10.01	chr	X.XXX ±0.05		sheet 1 of 2 size A3
S	B-19190 LMU 14.10.24	dr	L.MULIN 04.09.27	type CUSTOMER Drawing	
T	B-19797 AMA 14.12.16	engr	J.COMPAGNON 04.09.27		
U	B-19988 LMU 15.01.13	appd	JMC 04.09.27		
sheet index	revision sheet	U	A		
		1	2		



2x3 POS AND 2x4 POS CONFIGURATION
NO LATCHING AVAILABLE FOR 2x2 POS



2x5 POS UP TO 2x25 POS CONFIGURATION

LATCHING FEATURES WHEN USED IN COMBINATION
WITH ACTIVE LATCH HOUSING 10073599

mat'l. code		surface		tolerance		projection		product family	
SEE NOTES		ISO 1302 ✓		ISO 406 ISO		101		MINITEK	
ltr	ecn no	dr	date	tolerances unless otherwise specified					
A	F08-0113	LMU	08.01.17	angles	X.X ±0.3		mm		title
				linear	X.XX ±0.13		← mm →		SHR HEADER
					X.XXX ±0.05		scale 1:1		2.00 VERTICAL SMT
		dr	L.MULIN	07.11.06				dwg no	
		enr	J.COMPAGNON	07.11.06				sheet 2 of - size	
		chr						98424 A3	
		appd	JM.C	07.11.06				type	
								CUSTOMER Drawing	
sheet	revision								
index	sheet								



Copyright FCJ

Mouser Electronics

Authorized Distributor

Click to View Pricing, Inventory, Delivery & Lifecycle Information:

[FCI:](#)

[98424-G52-08A](#) [98424-G52-10A](#) [98424-G52-12A](#) [98424-G52-14A](#) [98424-S52-50A](#) [98424-S52-08A](#) [98424-F52-14U](#) [98424-G52-04A](#) [98424-G52-06A](#) [98424-G52-06AA02](#) [98424-G52-14U](#) [98424-G52-34U](#) [98424-S52-08U](#) [98424-S52-12U](#) [98424-F52-04A](#) [98424-F52-10A](#) [98424-G52-20A](#) [98424-G52-30A](#) [98424-G52-34A](#) [98424-G52-50A](#) [98424-S52-04A](#) [98424-S52-10A](#) [98424-S52-20U](#) [98424-G52-50U](#) [98424-G52-06](#) [98424-S52-06A](#) [98424-S52-44A](#)