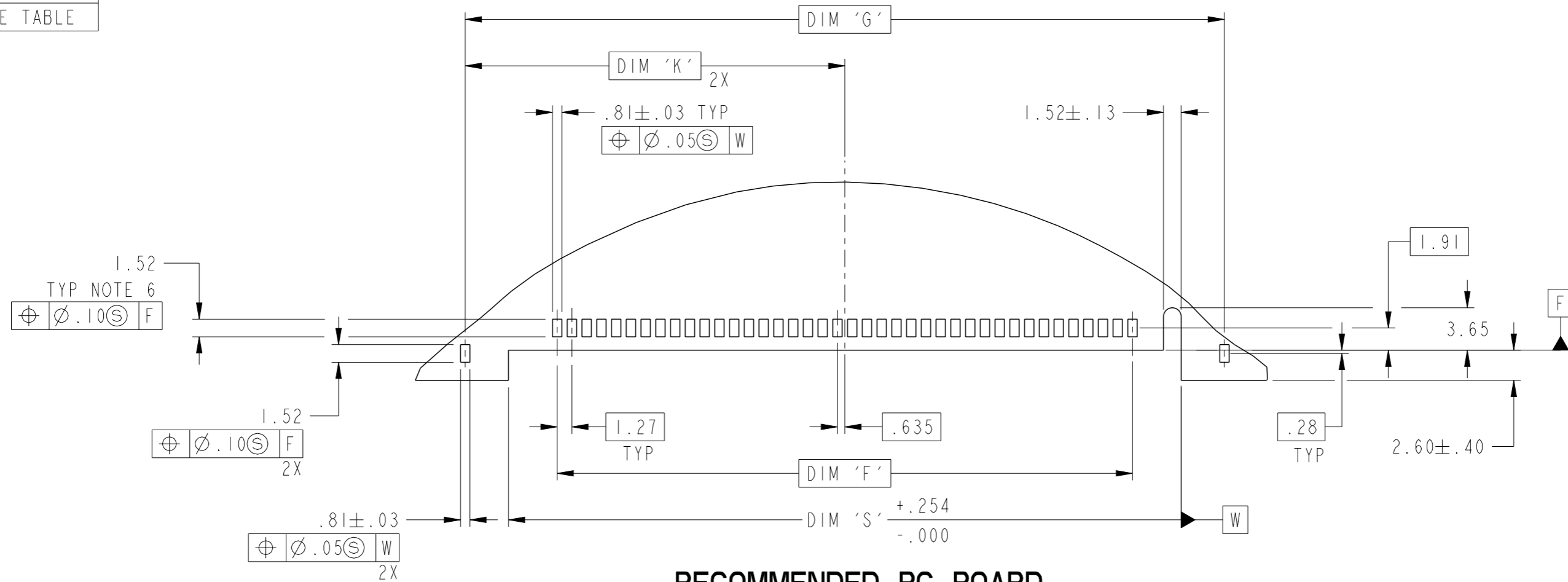


Copyright FCI.

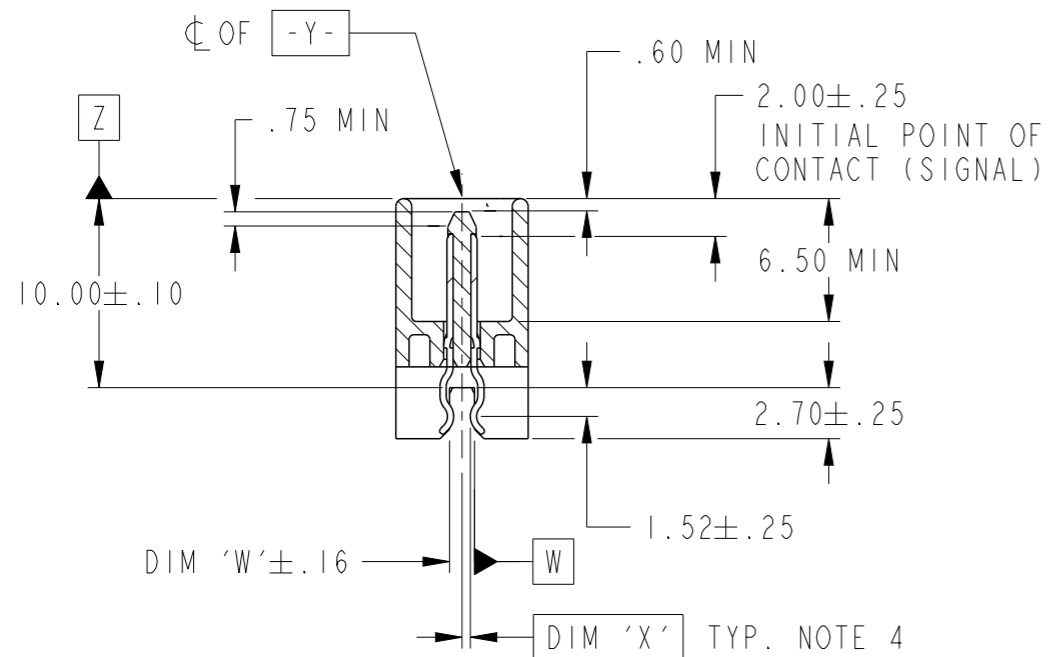
CONFIDENTIAL

| | | | | | | | | | | | |
|---------------------------------------|---------------------|------|---------------|------------|----------------------|----------|-----------|------------------------|--------------|-----|---|
| spec ref | - | dr | Louis Ng | 2011/05/11 | projection | MM | size | A3 | scale | 5:2 | |
| tolerance std | ISO 406 ISO 1101 | eng | Guat-Lian Loo | 2012/10/10 | | | ecn no | ELX-S-005680-1 | | | |
| TOLERANCES UNLESS OTHERWISE SPECIFIED | | chr | - | - | | | rel level | Released | | | |
| surface | ✓ | appr | Chen-Hong Tan | 2012/10/10 | product family | SCA-2 | rel level | Released | | | |
| ISO 1302 | linear | 0.X | ±.3 | | SCA-2 PLUG CONNECTOR | | dwg no | 71292 | | rev | U |
| | | 0.XX | ±.13 | | STRADDLE MOUNT | | | | | | |
| | angular | 0° | ±2° | | www.fci.com | cat. no. | - | Product - Customer Drw | sheet 1 of 4 | | |

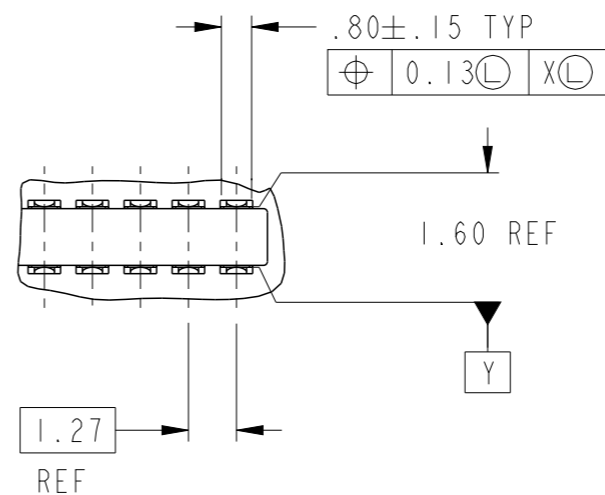
PRODUCT NO.
SEE TABLE



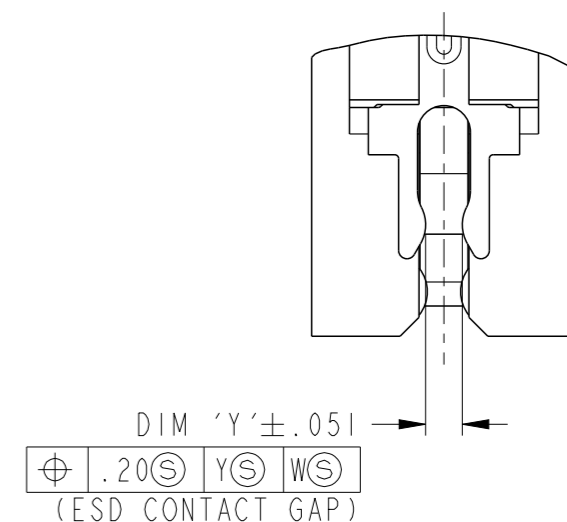
**RECOMMENDED PC BOARD
MOUNTING DIMENSIONS**



SECTION X-X
SCALE 5:2



DETAIL A
SCALE 5:1



DETAIL B
SCALE 5:1

CONFIDENTIAL

| | | | | | | | | | | |
|---------------------------------------|---------------------|---------|---------------|------------|-------------|----------|--------|------------------------|--------------|----------|
| spec ref | - | dr | Louis Ng | 2011/05/11 | projection | MM | size | A3 | scale | 5:2 |
| tolerance std | ISO 406 ISO 1101 | eng | Guat-Lian Loo | 2012/10/10 | | | ecn no | ELX-S-005680-1 | rel level | Released |
| TOLERANCES UNLESS OTHERWISE SPECIFIED | | chr | - | appr | | | | | | |
| surface | ISO 1302 | linear | 0.X | ±.3 | | | dwg no | 71292 | rev | U |
| | | angular | 0° | ±2° | www.fci.com | cat. no. | - | Product - Customer Drw | sheet 2 of 4 | |

| PRODUCT NO. | NO. POS. | RECOMMENDED PCB THICKNESS | DIM A REF | DIM B | DIM C | DIM D | DIM E | DIM F | DIM G | DIM H | DIM J | DIM K | POS. N | POS. P | POS. R | DIM S | DIM T | DIM U | DIM V | DIM W | DIM X | DIM Y | PLATING |
|-------------|----------|---------------------------|-----------|-------|-------|-------|-------|-------|-------|-------|-------|-------|--------|--------|--------|-------|-------|-------|-------|-------|-------|-------|---------|
| 71292-001 | 80 | 1.19 | 62.15 | 51.17 | 55.27 | 57.87 | 63.30 | 49.53 | 65.36 | 66.50 | 66.40 | 32.68 | 41 | 40 | 80 | 57.91 | 57.82 | 28.88 | 1.32 | 1.30 | 0.44 | 0.97 | NOTE 2 |
| -001S | | | | | | | | | | | | | | | | | | | | | | | NOTE 10 |
| -101S | | | | | | | | | | | | | | | | | | | | | | | NOTE 10 |
| 71292-002 | 40 | 1.19 | 36.75 | 25.77 | 29.87 | 32.47 | 37.90 | 24.13 | 39.95 | 41.10 | 41.00 | 19.98 | 21 | 20 | 40 | 32.52 | 32.41 | 16.20 | 1.32 | 1.30 | 0.44 | 0.97 | NOTE 2 |
| -002S | | | | | | | | | | | | | | | | | | | | | | | NOTE 10 |
| -102S | | | | | | | | | | | | | | | | | | | | | | | NOTE 10 |
| 71292-003S | 80 | 1.57 | 62.15 | 51.17 | 55.27 | 57.87 | 63.30 | 49.53 | 65.36 | 66.50 | 66.40 | 32.68 | 41 | 40 | 80 | 57.91 | 57.82 | 28.88 | 1.83 | 1.83 | 0.72 | 1.52 | NOTE 2 |
| -103S | | | | | | | | | | | | | | | | | | | | | | | NOTE 10 |
| 71292-004S | | | | | | | | | | | | | | | | | | | | | | | NOTE 2 |
| -104S | NOTE 10 | | | | | | | | | | | | | | | | | | | | | | |



NOTES:

- HOUSING : LCP, UL94V-0 RATED, COLOR: BLACK
CONTACTS: PHOSPHOR-BRONZE
ESD CONTACT: PHOSPHOR-BRONZE
- PLATING:
CONTACTS: 0.76µm (30µ") MIN GXT IN CONTACT AREA,
2.54µm (100µ") MIN TIN-LEAD ON P.C. BOARD LEG,
1.27µm (50µ") MIN NICKEL UNDERPLATE OVER ENTIRE TERMINAL.
ESD CONTACT: 2.54µm (100µ") MIN TIN-LEAD
PLATING W/1.27µm (50µ") NICKEL UNDERPLATE.
- MEASURED AT THE FLOOR OF THE CAVITY MEASURED 6mm FROM DATUM -Z-
- APPLIES TO ALL SURFACES OF CONTACT TAILS.
- MAXIMUM BOARD THICKNESS THAT CONNECTOR CAN ACCOMODATE IS DEFINED BY DIM 'V'.
- THESE DIMENSIONS RESULT IN THE CONTACT RESTING IN CENTER OF PAD WIDTH. THESE DIMENSIONS ARE SUBJECT TO CHANGE DEPENDING ON CUSTOMER'S MANUFACTURING PREFERENCES IN PROCESS SOLDER PLACEMENT AND REFLOW.
- DATE CODE IN THIS AREA.
- MEASUREMENT MADE AT CENTER OF PART, MAY BE AS LOW AS 6.55. DESIGN TO BE MADE TO ACHIEVE THE NOMINAL DIMENSION ACROSS THE ENTIRE PART.
- DISTANCE MEASURED ACROSS CONTACT MATING SURFACES ALONG EFFECTIVE MATING AREA AND CONTACT MUST BE ABOVE PLASTIC ALONG EFFECTIVE MATING AREA.
- PLATING:
CONTACTS: 0.76µm (30µ") MIN GOLD IN CONTACT AREA,
2.54µm (100µ") MIN TIN-LEAD ON P.C. BOARD LEG,
1.27µm (50µ") MIN NICKEL UNDERPLATE OVER ENTIRE TERMINAL.
ESD CONTACT: 2.54µm (100µ") MIN TIN-LEAD
PLATING W/1.27µm (50µ") NICKEL UNDERPLATE.
- PART NUMBERS ENDING IN -0xx OR -0xxS OR -1xxS ARE MANUFACTURED WITH BRIGHT FINISH TIN-LEAD PLATING IN P.C. BOARD LEG AREA.

CONFIDENTIAL

| | | | | | | | | | | |
|---------------|---------------------------------------|-------|---------------|-------------|--|----|------------------------|----------------|-----------|----------|
| spec ref | - | dr | Louis Ng | 2011/05/11 | projection | MM | size | A3 | scale | 5:2 |
| tolerance std | ISO 406 ISO 1101 | eng | Guat-Lian Loo | 2012/10/10 | | | ecn no | ELX-S-005680-1 | | |
| | TOLERANCES UNLESS OTHERWISE SPECIFIED | chr | - | - | | | product family | SCA-2 | rel level | Released |
| surface | linear | 0.X | ±.3 | | SCA-2 PLUG CONNECTOR STRADDLE MOUNT | | | dwg no | 71292 | rev |
| | | 0.XX | ±.13 | | | | | | | |
| | | 0.XXX | ±.051 | | | | | | | |
| | angular | 0° | ±2° | www.fci.com | cat. no. | - | Product - Customer Drw | sheet 3 of 4 | | |

Copyright FCI.

| PRODUCT NO. | NO. POS. | RECOMMENDED PCB THICKNESS | DIM A REF | DIM B | DIM C | DIM D | DIM E | DIM F | DIM G | DIM H | DIM J | DIM K | POS. N | POS. P | POS. R | DIM S | DIM T | DIM U | DIM V | DIM W | DIM X | DIM Y | PLATING |
|-------------|----------|---------------------------|-----------|-------|-------|-------|-------|-------|-------|-------|-------|-------|--------|--------|--------|-------|-------|-------|-------|-------|-------|-------|---------|
| 71292-001LF | 80 | 1.19 | 62.15 | 51.17 | 55.27 | 57.87 | 63.30 | 49.53 | 65.36 | 66.50 | 66.40 | 32.68 | 41 | 40 | 80 | 57.91 | 57.82 | 28.88 | 1.32 | 1.30 | 0.44 | 0.97 | NOTE 16 |
| -201LF | | | | | | | | | | | | | | | | | | | | | | | NOTE 12 |
| 71292-002LF | 40 | 1.19 | 36.75 | 25.77 | 29.87 | 32.47 | 37.90 | 24.13 | 39.95 | 41.10 | 41.00 | 19.98 | 21 | 20 | 40 | 32.52 | 32.41 | 16.20 | 1.32 | 1.30 | 0.44 | 0.97 | NOTE 16 |
| -202LF | | | | | | | | | | | | | | | | | | | | | | | NOTE 12 |
| 71292-003LF | 80 | 1.57 | 62.15 | 51.17 | 55.27 | 57.87 | 63.30 | 49.53 | 65.36 | 66.50 | 66.40 | 32.68 | 41 | 40 | 80 | 57.91 | 57.82 | 28.88 | 1.83 | 1.83 | 0.72 | 1.52 | NOTE 16 |
| -203LF | | | | | | | | | | | | | | | | | | | | | | | NOTE 12 |
| 71292-004LF | 40 | 1.57 | 36.75 | 25.77 | 29.87 | 32.47 | 37.90 | 24.13 | 39.95 | 41.10 | 41.00 | 19.98 | 21 | 20 | 40 | 32.52 | 32.41 | 16.20 | 1.83 | 1.83 | 0.72 | 1.52 | NOTE 16 |
| -204LF | | | | | | | | | | | | | | | | | | | | | | | NOTE 12 |



NOTES:

- 12. PLATING: CONTACT: 0.76µm (30µ") MIN GOLD IN CONTACT AREA, 2.54µm (100µ") - 5.08µm (200µ") TIN (LEAD-FREE) ON P.C. BOARD LEG, 1.27µm (50µ") MIN NICKEL UNDERPLATE OVER ENTIRE TERMINAL. ESD CONTACT: 2.54µm (100µ") - 5.08µm (200µ") TIN PLATING (LEAD-FREE) WITH 1.27µm (50µ") NICKEL UNDERPLATE.
- ⑬. THE HOUSING WILL WITHSTAND EXPOSURE TO 260°C PEAK TEMPERATURE FOR 10 SECONDS IN A CONVECTION, INFRA-RED OR VAPOR PHASE REFLOW OVEN.
- ⑭. THIS PRODUCT MEETS EUROPEAN UNION DIRECTIVES AND OTHER COUNTRY REGULATIONS AS DESCRIBED IN GS-22-008.
- 15. PART NUMBERS ENDING IN "LF" MEANS FOR NOTE 14 LEAD FREE IDENTIFICATION. P/N XXXXX-2XXLF IS EQUIVALENT TO PREVIOUS P/N XXXXX-2XX.
- 16. PLATING: CONTACT: 0.76µm (30µ") MIN GXT IN CONTACT AREA, 2.54µm (100µ") - 5.08µm (200µ") TIN (LEAD-FREE) ON P.C. BOARD LEG, 1.27µm (50µ") MIN NICKEL UNDERPLATE OVER ENTIRE TERMINAL. ESD CONTACT: 2.54µm (100µ") - 5.08µm (200µ") TIN PLATING (LEAD-FREE) WITH 1.27µm (50µ") NICKEL UNDERPLATE.
- 17. A SYMBOL WILL BE NEXT TO ANY DIMENSION, VIEW OR NOTE WHICH HAS BEEN MODIFIED WITH THE CURRENT DRAWING REVISION.

CONFIDENTIAL

| | | | | | | | | | | | | | |
|---------------------|---------------------------------------|------|------|-------------|---------------|------------|------------|-----|------------------------|----------------|--------------|----------|---|
| spec ref | - | | | dr | Louis Ng | 2011/05/11 | projection | MM | size | A3 | scale | 5:2 | |
| tolerance std | TOLERANCES UNLESS OTHERWISE SPECIFIED | | | eng | Guat-Lian Loo | 2012/10/10 | | ← → | ecn no | ELX-S-005680-1 | | | |
| ISO 406 ISO 1101 | linear | 0.X | ±.3 | chr | - | - | | | product family | SCA-2 | rel level | Released | |
| surface | linear | 0.XX | ±.13 | appr | Chen-Hong Tan | 2012/10/10 | FCj | | dwg no | 71292 | | rev | U |
| ISO 1302 | angular | 0° | ±2° | www.fci.com | | cat. no. | - | | Product - Customer Drw | | sheet 4 of 4 | | |



Copyright FCI.

Mouser Electronics

Authorized Distributor

Click to View Pricing, Inventory, Delivery & Lifecycle Information:

[FCI:](#)

[71292-001](#) [71292-002](#) [71292-101S](#) [71292-102S](#) [71292-103S](#) [71292-201LF](#)