

NOTES:

1.0 ELECTRICAL SPECIFICATIONS

1.1 FREQUENCY RANGE: DC to 12.4 GHz

1.2 VSWR:

DC to 4.0 GHz: 1.05:1 MAX.

4.0 to 12.4 GHz: 1.20:1 MAX.

1.3 POWER HANDLING: 5 WATTS AVG.

2.0 KILOWATT PEAK

1.3.1 AVERAGE INPUT POWER IS DERATED

LINEARLY FROM 100% AT +25°C TO 10%

AT SPECIFIED MAXIMUM AMBIENT OPERATING

TEMPERATURE.


1.4 OPERATING TEMP. RANGE:

1.5 WEIGHT: 3 Oz. MAX.

2.0 MARKING: MARK UNIT AS SHOWN

(REF: INK-09183-27-[26 or 28])

 INK STAMP 4-DIGIT SERIAL NUMBER THIS END OF UNIT.

 INK STAMP DATE CODE ON NUT AS SHOWN:

YYWW
YEAR(YY) & WEEK(WW) OF PRODUCTION

3.0 TESTING: TESTING REQUIREMENTS:

3.1 TEST IN ACCORDANCE WITH

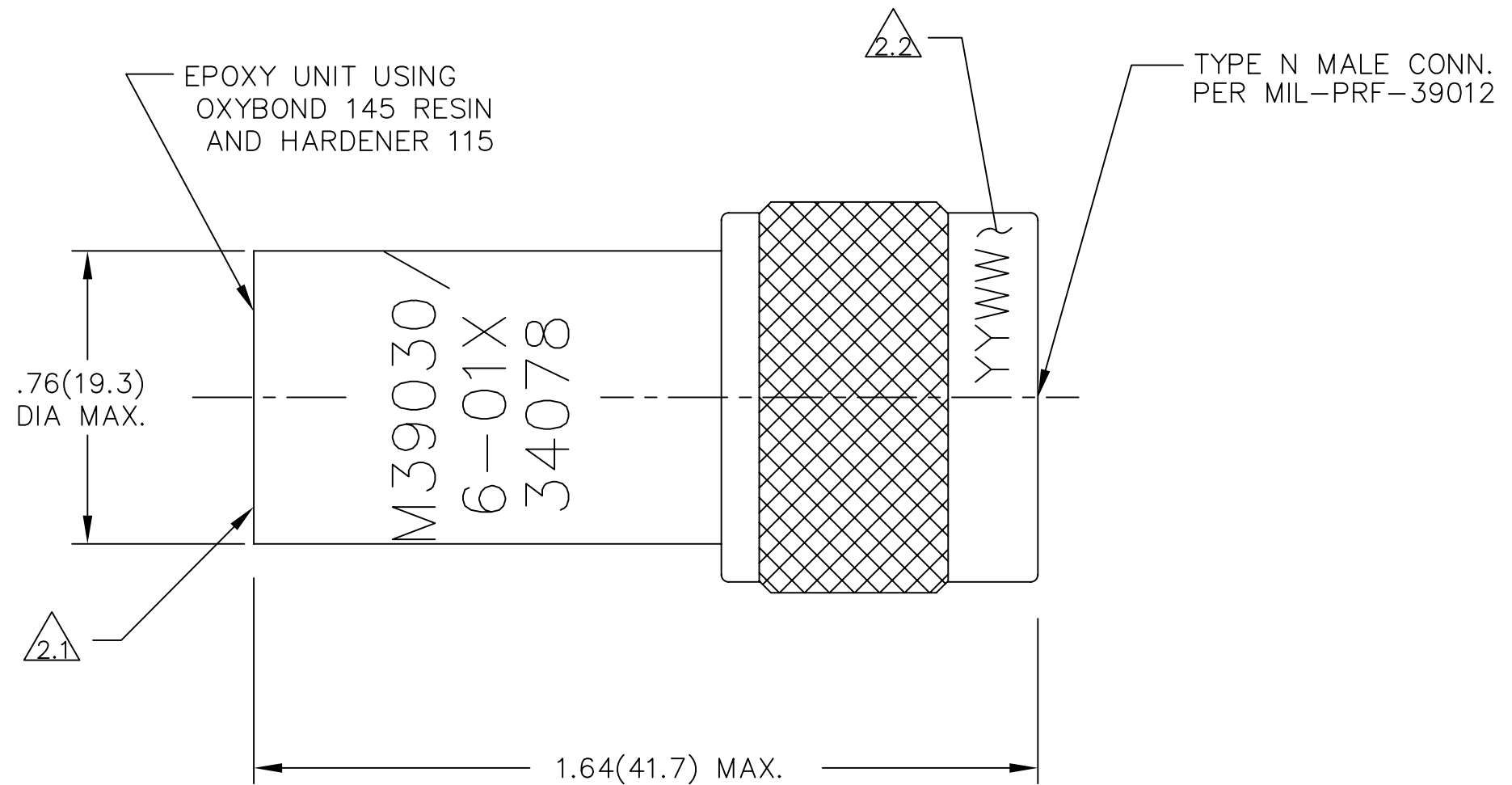
ATP-07840-60-02

4.0 THIS UNIT REQUIRES DUST CAP

(REF.: CAP-06931-24-04-54)

5.0 DIMENSIONS IN PARENTHESIS ARE IN MILLIMETERS.

6.0 BAG DATA WITH UNITS.



MODEL NUMBER
M39030/6-01(N or S)
REV.
E1

REV.	DESCRIPTION	DATE
-	RELEASED	11/30/93
A	ECN 13175	12/4/93
B	ECN 13500	4/8/94
C	ECN 13664	6/3/94
D	ECN 13756	7/13/94
E	ECN 18050	2/14/96
E1	ADDED TITLEBLOCK	7/7/05

UNLESS OTHERWISE NOTED DIMENSIONS ARE IN INCHES AND TOLERANCES ARE: 3 PLACE DECIMALS ±.005 2 PLACE DECIMALS ±.02 FRACTIONS ±1/64 PARALLELITY: T.I.R. _____ FLATNESS: T.I.R. _____ CONCENTRICITY: T.I.R. _____ ANGLES AND PERPENDICULARITY: ±1°	FSCM NO. 34078	MIDWEST MICROWAVE		
	NOTICE: The information contained in this drawing is proprietary and must not be used without the permission of Midwest Microwave		TITLE TERMINATION	
	DRAWN/DATE A.BEATTY 11/23/93	ENG./DATE G.KOZAK 11/30/93	DRAWING NUMBER M39030/6-01(N or S)	
	CHECKED/DATE M.HOLLMAN 11/29/93	APPROVED/DATE	SCALE: 3=1	SHEET 1 of 1

Mouser Electronics

Authorized Distributor

Click to View Pricing, Inventory, Delivery & Lifecycle Information:

[Emerson Connectivity Solutions:](#)

[M39030/6-01S](#)