

max. 980 m³/h

DC centrifugal fans

Series RER 175 TD 175 Ø x 69 mm



Highlights:

- 3-phase fan drive with high degree of running smoothness.
- Very high pressure build-up. Backward curved impeller.
- Available as standard with PWM control input and speed signal. Additional inputs and outputs on request.

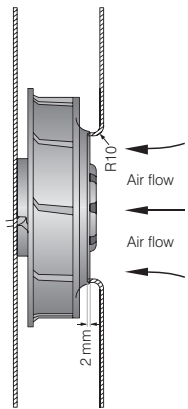
General characteristics:

- Impeller of fibreglass-reinforced plastic.
- Fully integrated electronic commutation.
- Direction of rotation: CW seen on rotor.
- Direction of air flow: axial air intake, centrifugal air exhaust out of the outlet.
- Connection via single strands AWG 18, 20 or AWG 22, TR 64, speed signal and control input AWG 22, bared and tin-plated.
- Mass: 775 g.

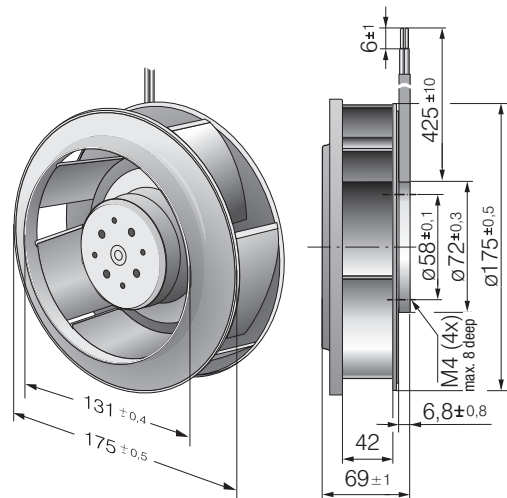
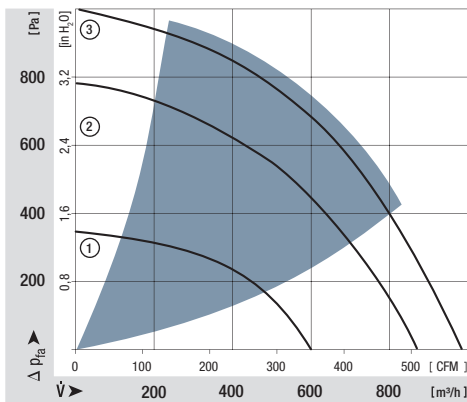
Nominal data		Air flow	Air flow	Nominal voltage	Voltage range	Sound power level	Sinter sleeve bearings Ball bearings	Power input	Nominal speed	Temperature range	Service life L ₁₀ (40 °C) ebm-papst Standard	Service life L ₁₀ (T _{max}) ebm-papst Standard	Life expectancy L ₁₀ Δ (40 °C) see P. 15	Curve	Specials
Type		m ³ /h	CFM	VDC	VDC	Bel(A)	■ / ■	Watts	RPM	°C	Hours	Hours			
NEW	RER 175-42/14/2 TDMLP	600	353,0	24	16...30	7,3	■	45	3 400	-20...+65	72 500 / 45 000	145 000	1		
NEW	RER 175-42/14/2 TDMP	865	508,8	24	16...36	8,2	■	110	4 800	-20...+65	70 000 / 40 000	140 000	2		
NEW	RER 175-42/18/2 TDMLP	600	353,0	48	36...57	7,3	■	46	3 400	-20...+65	72 500 / 45 000	145 000	1		
NEW	RER 175-42/18/2 TDMP*	865	508,8	48	36...72	8,2	■	110	4 800	-20...+65	70 000 / 40 000	140 000	2		
NEW	RER 175-42/18/2 TDP	980	576,8	48	36...72	8,5	■	166	5 400	-20...+65	60 000 / 32 500	115 000	3		

* preliminary data

Speed control range from 800 rpm at 7 % PWM up to nominal speed at > 90 % PWM. Standstill at 0 % PWM, max. speed if control cable is interrupted.



The air flow and noise level of fans without external housing depends on the installation conditions. The stated air flow and noise levels have been measured under the following conditions:
Centrifugal fan mounted on a base plate 180 x 180 mm.
Cover plate 180 x 180 mm with an air inlet of Ø 125,5 mm, concentric to the impeller.



Mouser Electronics

Authorized Distributor

Click to View Pricing, Inventory, Delivery & Lifecycle Information:

[ebm-papst:](#)

[RER175-42/18-2TDMLP](#) [RER175-42/18/2TDP](#)