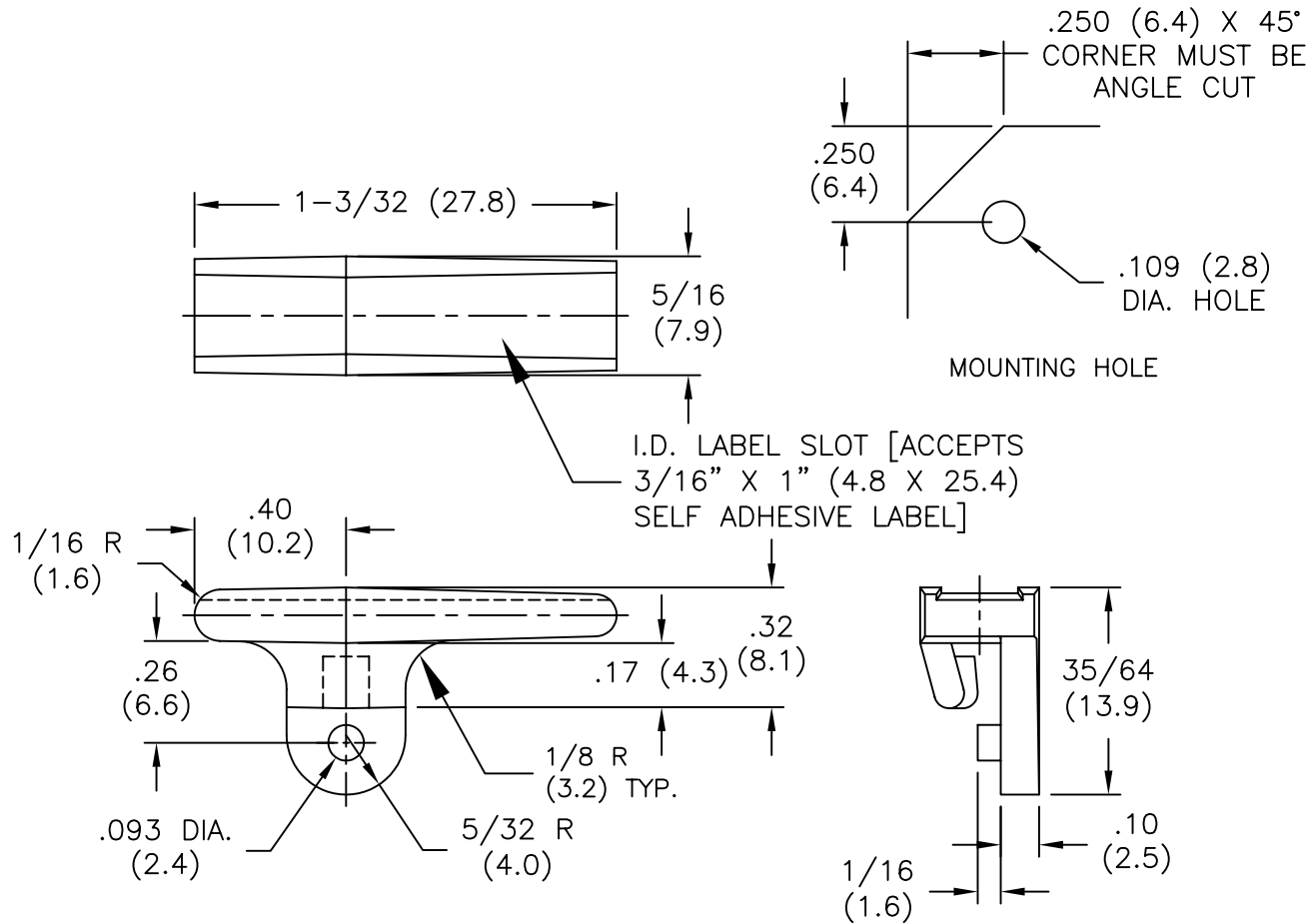


PART NO.	COLOR
CBE-1	NATURAL



NOTES:

- MAT'L: NYLON 66 (RMS-01), NATURAL
- FLAME RETARDANT NYLON (RMS-19), AVAILABLE BY SPECIAL ORDER

TITLE: CIRCUIT BOARD EJECTOR			DWG IN IN (MM)	FINAL	QR
TOLERANCES UNLESS NOTED .XX=±.010 .XXX=±.005 FRAC=1/64 ANG=1°	FILE # CBE	DWN: P.B.	APP:	PART #	
	MAT'L: SEE NOTES	DT: 05-25-95	DT:	SEE TABLE	
	RE: RICHCO, INC.	RICHCO INC. PO BOX 804238, CHICAGO, 60680 (773) 539-4060		PRINT TYPE CA	

B	CHANGED FILE NO. AND TITLE BLOCK	SM 05.15.01
A	NOTE 2. ADDED. 1-3/32 WAS 1-1/32	JP 11.14.97
REV	DESCRIPTION	ENGR DATE

Mouser Electronics

Authorized Distributor

Click to View Pricing, Inventory, Delivery & Lifecycle Information:

[Essentra:](#)

[CBE-1](#)