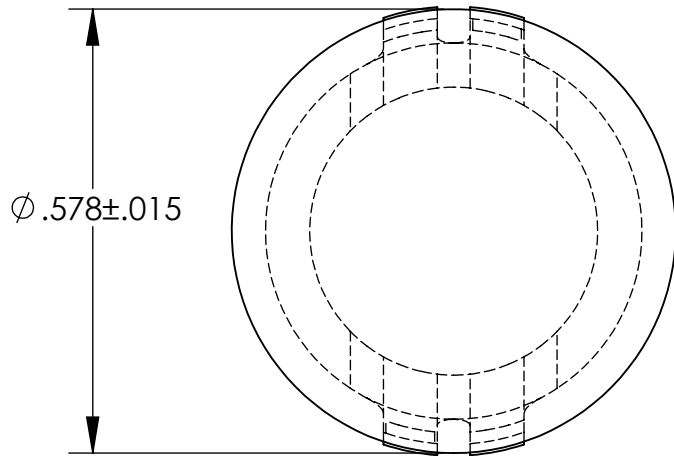
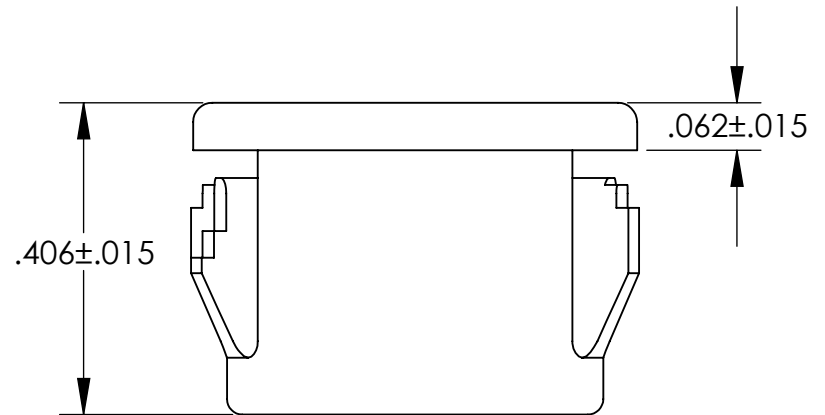
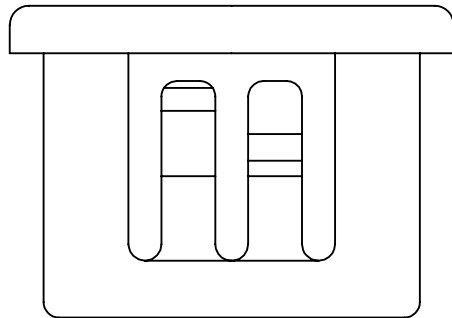


UNCONTROLLED DOCUMENT



NOTES:
HOLE SIZE: .500
MAXIMUM PANEL THICKNESS: .125
MATERIAL: CLEAR COPOLYESTER



TOLERANCES UNLESS NOTED

- $\pm .005$ ON DIMENSIONS THRU .625
- $\pm .008$ ON DIMENSIONS .626 THRU 1.000
- $\pm .010$ ON DIMENSIONS 1.001 THRU 1.500
- $\pm .015$ ON DIMENSIONS LARGER THAN 1.500
- $\pm .015$ ON FRACTIONAL DIMENSIONS

**WE RESERVE THE RIGHT
TO DISCONTINUE ITEMS,
CHANGE SPECIFICATIONS
OR DESIGN AT ANY TIME
WITHOUT NOTICE AND
WITHOUT INCURRING
ANY OBLIGATIONS**

PROPERTY OF
MICRO PLASTICS INC.

CATALOG DRAWING
LOCKING WINDOW HOLE PLUG
MICRO P/N 62WP0500
DWG. # 62WP0500
FILE SERVER\ENG\WEB

MATERIAL: AS NOTED

DATE

SCALE
4:1

JDD

Mouser Electronics

Authorized Distributor

Click to View Pricing, Inventory, Delivery & Lifecycle Information:

[Essentra:](#)

[62WP0500](#)