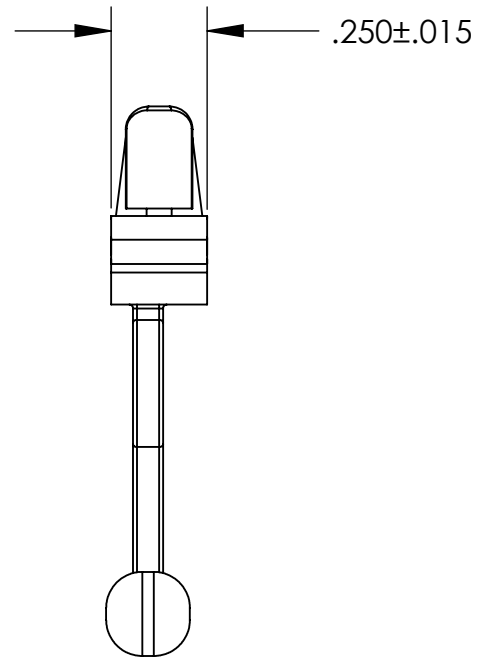
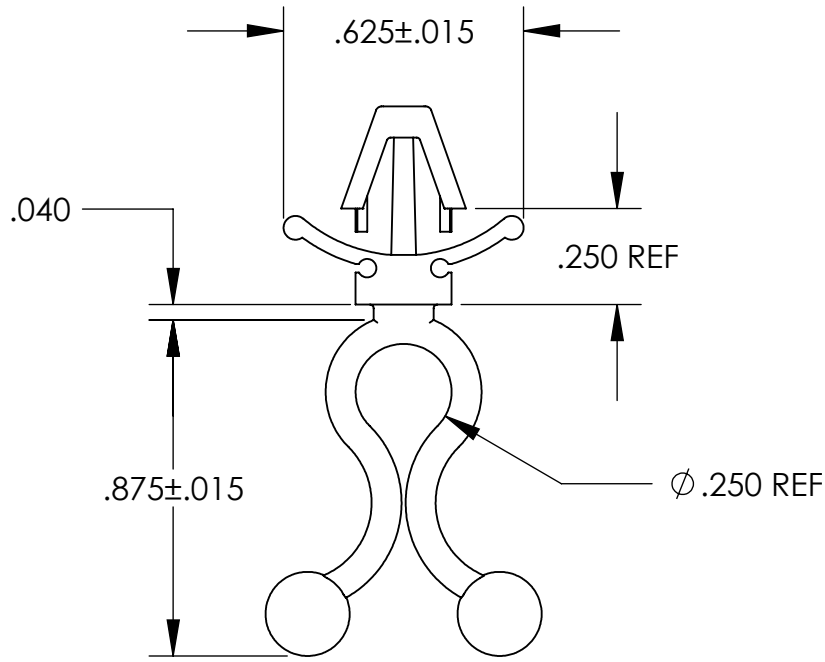


UNCONTROLLED DOCUMENT



NOTES:
 HOLE SIZE - .250
 PANEL THICKNESS - .047/.109

**WE RESERVE THE RIGHT
 TO DISCONTINUE ITEMS,
 CHANGE SPECIFICATIONS
 OR DESIGN AT ANY TIME
 WITHOUT NOTICE AND
 WITHOUT INCURRING
 ANY OBLIGATIONS**

TOLERANCES UNLESS NOTED

- ±.005 ON DIMENSIONS THRU .625
- ±.008 ON DIMENSIONS .626 THRU 1.000
- ±.010 ON DIMENSIONS 1.001 THRU 1.500
- ±.015 ON DIMENSIONS LARGER THAN 1.500
- ±.015 ON FRACTIONAL DIMENSIONS

PROPERTY OF		
MICRO PLASTICS INC.		
CATALOG DRAWING "EZ" TL SUPPORT 250 DIA HOLE MICRO P/N 23EZO250B0040 DWG. # 23EZO250B0040 FILE SERVER\ENG\WEB		
MATERIAL:		NYLON 6/6
DATE	SCALE	SD
	2:1	

Mouser Electronics

Authorized Distributor

Click to View Pricing, Inventory, Delivery & Lifecycle Information:

[Essentra:](#)

[23EZS0250B0040](#)