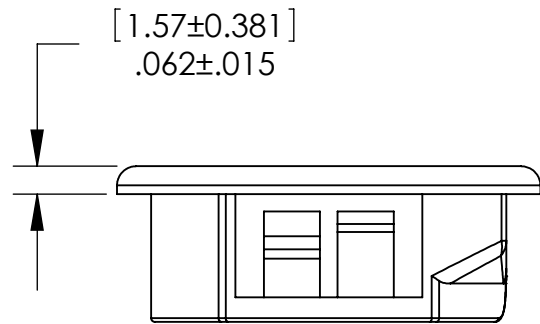
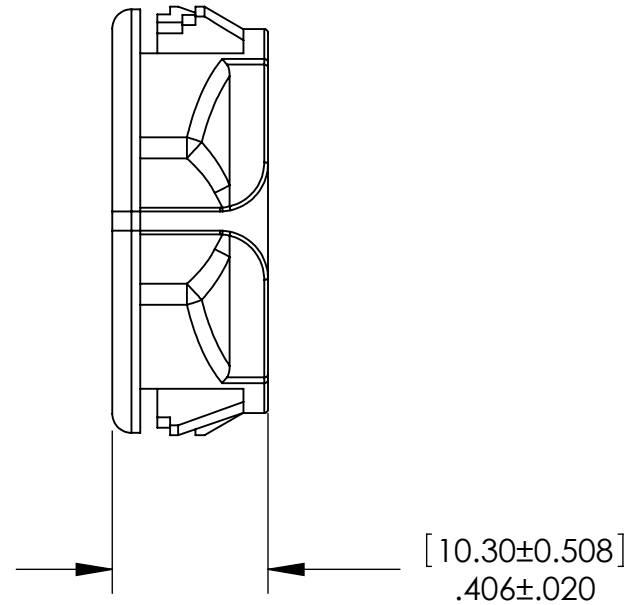
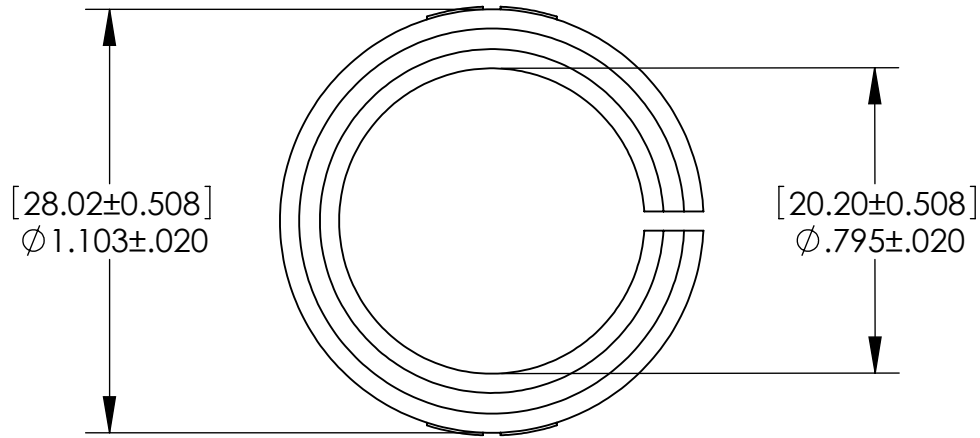


**UNCONTROLLED DOCUMENT**

NOTE:  
 MOUNTING HOLE:  $\phi 1.000$   
 MAX PANEL THICKNESS: .125



**TOLERANCES UNLESS NOTED**

- ±.005 ON DIMENSIONS THRU .625
- ±.008 ON DIMENSIONS .626 THRU 1.000
- ±.010 ON DIMENSIONS 1.001 THRU 1.500
- ±.015 ON DIMENSIONS LARGER THAN 1.500
- ±.015 ON FRACTIONAL DIMENSIONS

WE RESERVE THE RIGHT  
 TO DISCONTINUE ITEMS,  
 CHANGE SPECIFICATIONS  
 OR DESIGN AT ANY TIME  
 WITHOUT NOTICE AND  
 WITHOUT INCURRING  
 ANY OBLIGATIONS

PROPERTY OF  
**MICRO PLASTICS INC.**

CATALOG DRAWING  
 OPEN/CLOSE BUSHING  
 MICRO P/N NM22OCB1000  
 DWG. # NM22OCB1000  
 FILE SERVER\ENG\WEB

MATERIAL: NYLON 6/6; BLACK

DATE	SCALE 2:1	<b>DB</b>
------	--------------	-----------

# Mouser Electronics

Authorized Distributor

Click to View Pricing, Inventory, Delivery & Lifecycle Information:

[Essentra:](#)

[NM22OCB1000](#)