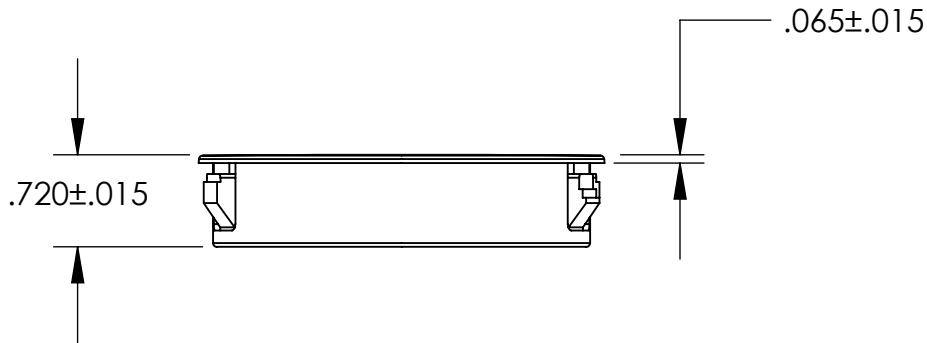
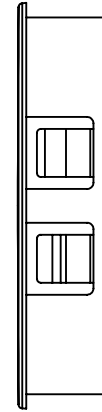
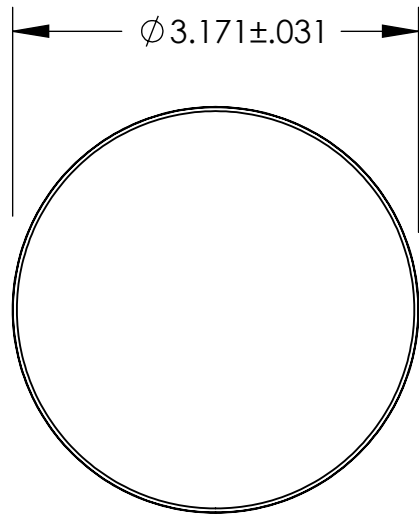


UNCONTROLLED DOCUMENT

NOTES:
HOLE SIZE: 3.000
MAXIMUM PANEL THICKNESS: .250



TOLERANCES UNLESS NOTED

- ±.005 ON DIMENSIONS THRU .625
- ±.008 ON DIMENSIONS .626 THRU 1.000
- ±.010 ON DIMENSIONS 1.001 THRU 1.500
- ±.015 ON DIMENSIONS LARGER THAN 1.500
- ±.015 ON FRACTIONAL DIMENSIONS

WE RESERVE THE RIGHT
TO DISCONTINUE ITEMS,
CHANGE SPECIFICATIONS
OR DESIGN AT ANY TIME
WITHOUT NOTICE AND
WITHOUT INCURRING
ANY OBLIGATIONS

PROPERTY OF		
MICRO PLASTICS INC.		
CATALOG DRAWING LOCKING HOLE PLUG MICRO P/N 62MP3000 DWG. # 62MP3000 FILE SERVER\ENG\WEB		
MATERIAL:		HEAT STABILIZED NYLON BLACK
DATE	SCALE 1:1.5	TA

Mouser Electronics

Authorized Distributor

Click to View Pricing, Inventory, Delivery & Lifecycle Information:

[Essentra:](#)

[62MP3000](#)