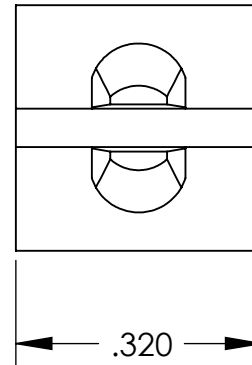
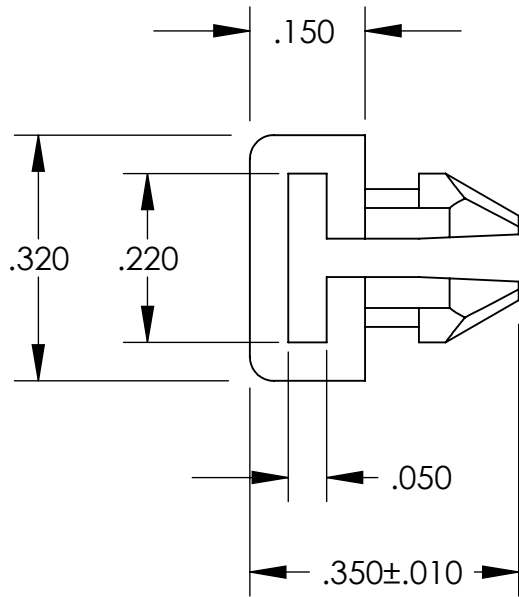


UNCONTROLLED DOCUMENT



NOTES:
 HOLE SIZE .187
 PANEL THICKNESS .062

TOLERANCES UNLESS NOTED

- ±.005 ON DIMENSIONS THRU .625
- ±.008 ON DIMENSIONS .626 THRU 1.000
- ±.010 ON DIMENSIONS 1.001 THRU 1.500
- ±.015 ON DIMENSIONS LARGER THAN 1.500
- ±.015 ON FRACTIONAL DIMENSIONS

WE RESERVE THE RIGHT
 TO DISCONTINUE ITEMS,
 CHANGE SPECIFICATIONS
 OR DESIGN AT ANY TIME
 WITHOUT NOTICE AND
 WITHOUT INCURRING
 ANY OBLIGATIONS

PROPERTY OF
MICRO PLASTICS INC.

CATALOG DRAWING
 CLIP MOUNT
 MICRO P/N 23TA00090
 DWG. # 23TA00090
 FILE SERVER\ENG\WEB

MATERIAL: 6/6 NYLON

| | | |
|------|--------------|------------|
| DATE | SCALE 4:1 | DSB |
|------|--------------|------------|

Mouser Electronics

Authorized Distributor

Click to View Pricing, Inventory, Delivery & Lifecycle Information:

[Essentra:](#)

[23TA00090](#)