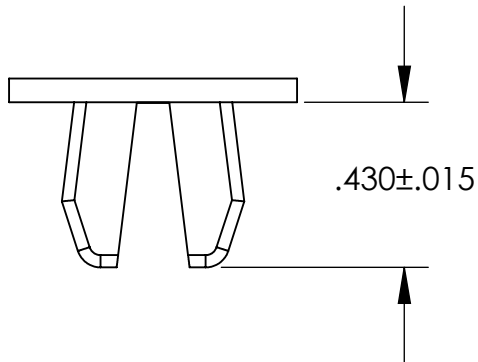
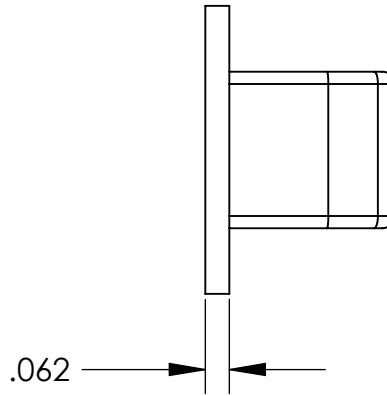
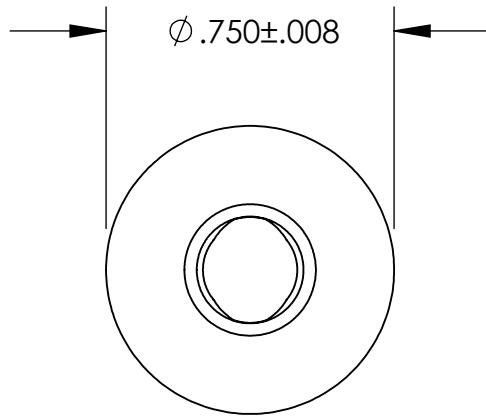


**UNCONTROLLED DOCUMENT**



NOTES:  
 HOLE SIZE .415 / .430  
 PANEL THICKNESS RANGE .071 / .250  
 SCREW SIZE 5/16

TOLERANCES UNLESS NOTED

- $\pm .005$  ON DIMENSIONS THRU .625
- $\pm .008$  ON DIMENSIONS .626 THRU 1.000
- $\pm .010$  ON DIMENSIONS 1.001 THRU 1.500
- $\pm .015$  ON DIMENSIONS LARGER THAN 1.500
- $\pm .015$  ON FRACTIONAL DIMENSIONS

WE RESERVE THE RIGHT  
 TO DISCONTINUE ITEMS,  
 CHANGE SPECIFICATIONS  
 OR DESIGN AT ANY TIME  
 WITHOUT NOTICE AND  
 WITHOUT INCURRING  
 ANY OBLIGATIONS

PROPERTY OF  
**MICRO PLASTICS INC.**

CATALOG DRAWING  
 ROUND HEAD GROMMET NUT  
 MICRO P/N 60SGN02700  
 DWG. # 60SGN02700  
 FILE SERVER\ENG\WEB

MATERIAL: NYLON 6/6

DATE

SCALE  
 2:1

**DB**

# Mouser Electronics

Authorized Distributor

Click to View Pricing, Inventory, Delivery & Lifecycle Information:

[Essentra:](#)

[60SGN02700](#)