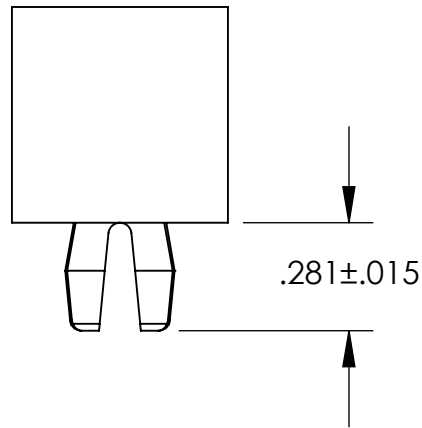
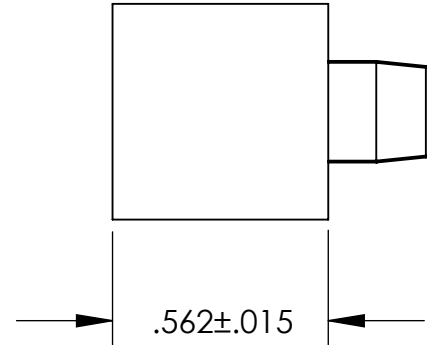
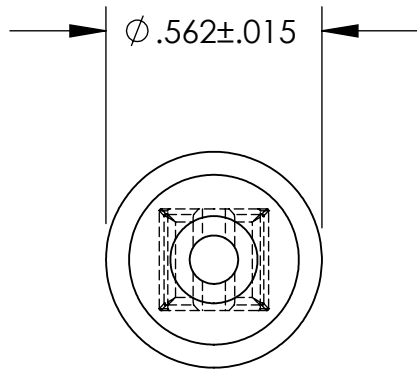


**UNCONTROLLED DOCUMENT**



NOTES:  
 HOLE SIZE .267 / .272  
 PANEL THICKNESS RANGE .031 / .109  
 SCREW SIZE #8-#10

TOLERANCES UNLESS NOTED

- $\pm .005$  ON DIMENSIONS THRU .625
- $\pm .008$  ON DIMENSIONS .626 THRU 1.000
- $\pm .010$  ON DIMENSIONS 1.001 THRU 1.500
- $\pm .015$  ON DIMENSIONS LARGER THAN 1.500
- $\pm .015$  ON FRACTIONAL DIMENSIONS

WE RESERVE THE RIGHT  
 TO DISCONTINUE ITEMS,  
 CHANGE SPECIFICATIONS  
 OR DESIGN AT ANY TIME  
 WITHOUT NOTICE AND  
 WITHOUT INCURRING  
 ANY OBLIGATIONS

|   |       |           |
|---|-------|-----------|
| PROPERTY OF   |       |           |
| <b>MICRO PLASTICS INC.</b>  |       |           |
| CATALOG DRAWING<br>ROUND HEAD GROMMET NUT<br>MICRO P/N 60SGN00008<br>DWG. # 60SGN00008<br>FILE SERVER\ENG\WEB |       |           |
| MATERIAL:   |       | NYLON 6/6 |
| DATE  | SCALE | <b>DB</b> |
|   | 2:1   |           |

# Mouser Electronics

Authorized Distributor

Click to View Pricing, Inventory, Delivery & Lifecycle Information:

[Essentra:](#)

[60SGN00008](#)