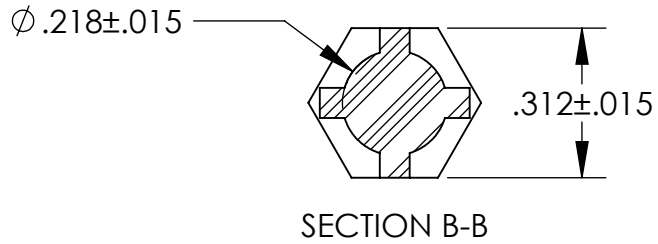
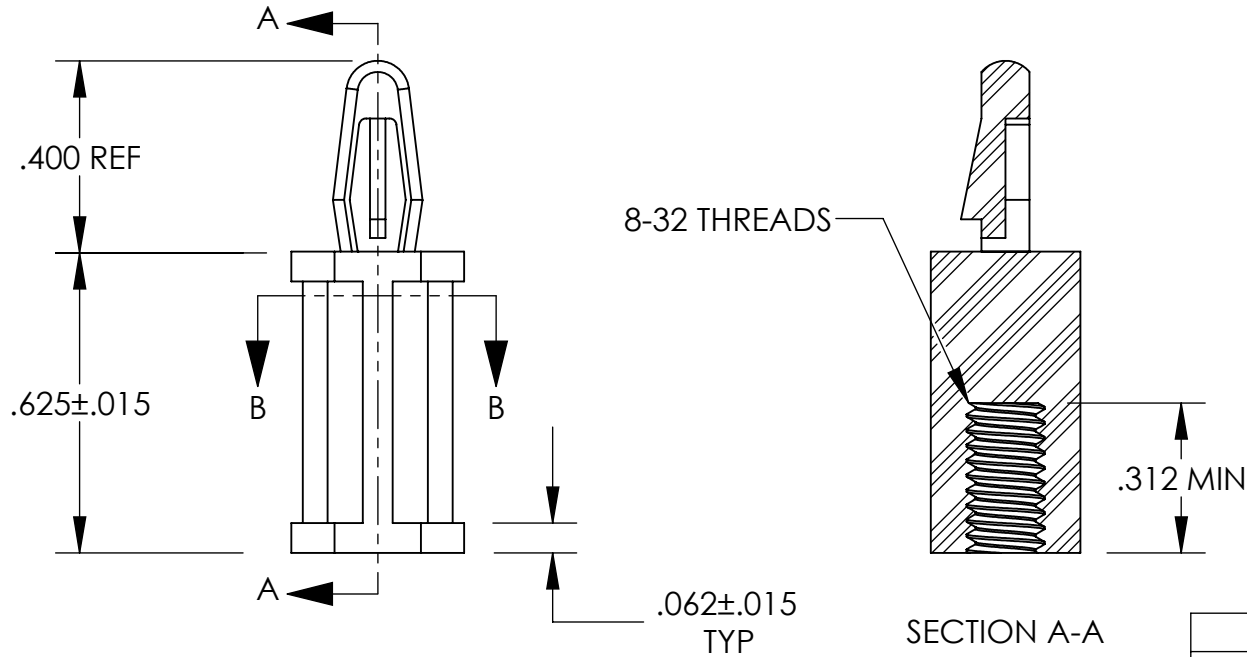


**UNCONTROLLED DOCUMENT**



NOTES:  
HOLE SIZE .156  
PANEL THICKNESS  $.062 \pm .015$



**TOLERANCES UNLESS NOTED**

- $\pm .005$  ON DIMENSIONS THRU  $.625$
- $\pm .008$  ON DIMENSIONS  $.626$  THRU  $1.000$
- $\pm .010$  ON DIMENSIONS  $1.001$  THRU  $1.500$
- $\pm .015$  ON DIMENSIONS LARGER THAN  $1.500$
- $\pm .015$  ON FRACTIONAL DIMENSIONS

WE RESERVE THE RIGHT  
TO DISCONTINUE ITEMS,  
CHANGE SPECIFICATIONS  
OR DESIGN AT ANY TIME  
WITHOUT NOTICE AND  
WITHOUT INCURRING  
ANY OBLIGATIONS

|  |       |            |
|--|-------|------------|
| PROPERTY OF  |       |            |
| <b>MICRO PLASTICS INC.</b>   |       |            |
| CATALOG DRAWING<br>FEMALE NYLON CIRCUIT BOARD POST<br>MICRO P/N 27FTP00625<br>DWG. # 27FTP00625<br>FILE SERVER\ENG\WEB |       |            |
| MATERIAL:  |       | 6/6 NYLON  |
| DATE   | SCALE | <b>DSB</b> |
|  | 2.5:1 |            |

# Mouser Electronics

Authorized Distributor

Click to View Pricing, Inventory, Delivery & Lifecycle Information:

[Essentra:](#)

[27FTP00625](#)