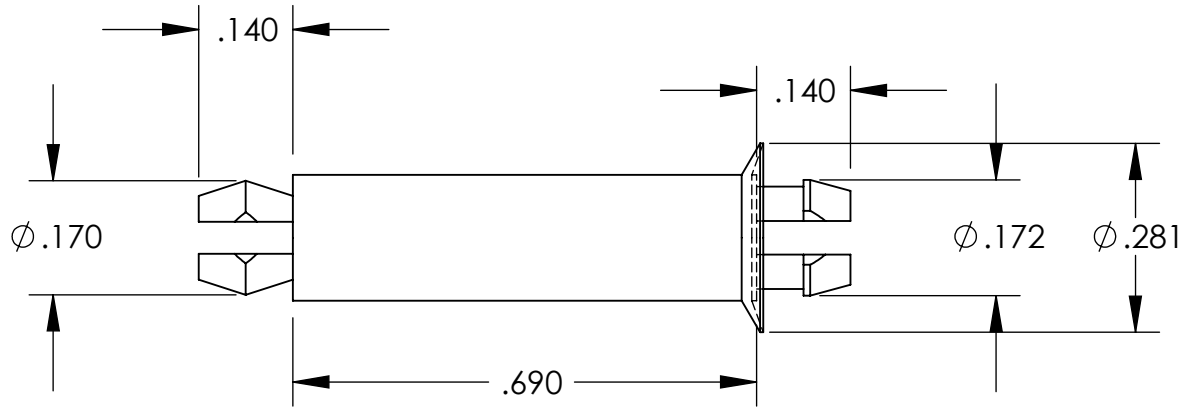
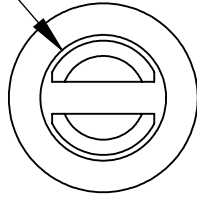
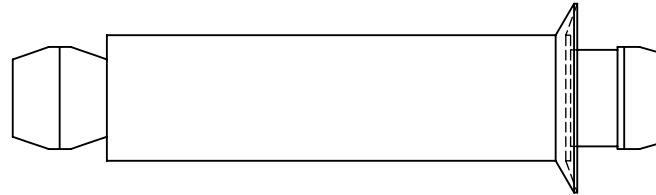


UNCONTROLLED DOCUMENT

Ø.187



NOTES:
RECOMMENDED HOLE SIZE - .156
PANEL THICKNESS - .062 ±.015



TOLERANCES UNLESS NOTED

- ±.005 ON DIMENSIONS THRU .625
- ±.008 ON DIMENSIONS .626 THRU 1.000
- ±.010 ON DIMENSIONS 1.001 THRU 1.500
- ±.015 ON DIMENSIONS LARGER THAN 1.500
- ±.015 ON FRACTIONAL DIMENSIONS

WE RESERVE THE RIGHT
TO DISCONTINUE ITEMS,
CHANGE SPECIFICATIONS
OR DESIGN AT ANY TIME
WITHOUT NOTICE AND
WITHOUT INCURRING
ANY OBLIGATIONS

PROPERTY OF
MICRO PLASTICS INC.

CATALOG DRAWING
PCB POST "MSP" SERIES
MICRO P/N 27MSP00700
DWG. # 27MSP00700
FILE SERVER\ENG\WEB

MATERIAL: 6/6 NYLON

DATE

SCALE
3.5:1

DSB

Mouser Electronics

Authorized Distributor

Click to View Pricing, Inventory, Delivery & Lifecycle Information:

[Essentra:](#)

[27MSP00700](#)