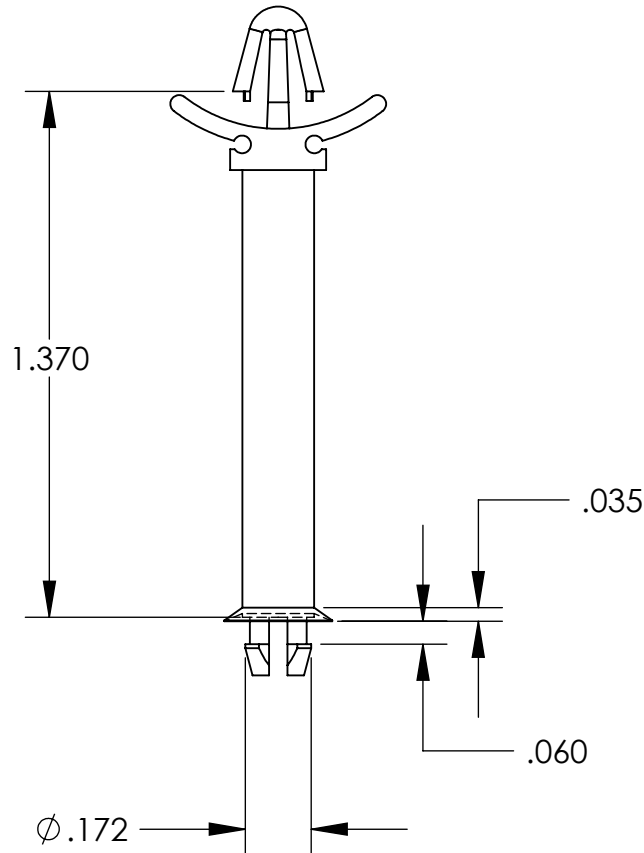


UNCONTROLLED DOCUMENT



NOTES:  
 MSP END FITS A .156 HOLE  
 LOCKING END FITS A .187 HOLE  
 PANEL THICKNESS .030/.078

TOLERANCES UNLESS NOTED

- $\pm .005$  ON DIMENSIONS THRU .625
- $\pm .008$  ON DIMENSIONS .626 THRU 1.000
- $\pm .010$  ON DIMENSIONS 1.001 THRU 1.500
- $\pm .015$  ON DIMENSIONS LARGER THAN 1.500
- $\pm .015$  ON FRACTIONAL DIMENSIONS

WE RESERVE THE RIGHT  
 TO DISCONTINUE ITEMS,  
 CHANGE SPECIFICATIONS  
 OR DESIGN AT ANY TIME  
 WITHOUT NOTICE AND  
 WITHOUT INCURRING  
 ANY OBLIGATIONS

PROPERTY OF  
**MICRO PLASTICS INC.**

CATALOG DRAWING  
 PCB SUPPORT LSP SERIES  
 MICRO P/N 27LSP01250  
 DWG. # 27LSP01250  
 FILE SERVER\ENG\WEB

MATERIAL: NYLON 6/6

DATE

SCALE  
 2:1

**SD**

# Mouser Electronics

Authorized Distributor

Click to View Pricing, Inventory, Delivery & Lifecycle Information:

[Essentra:](#)

[27LSP01250](#)