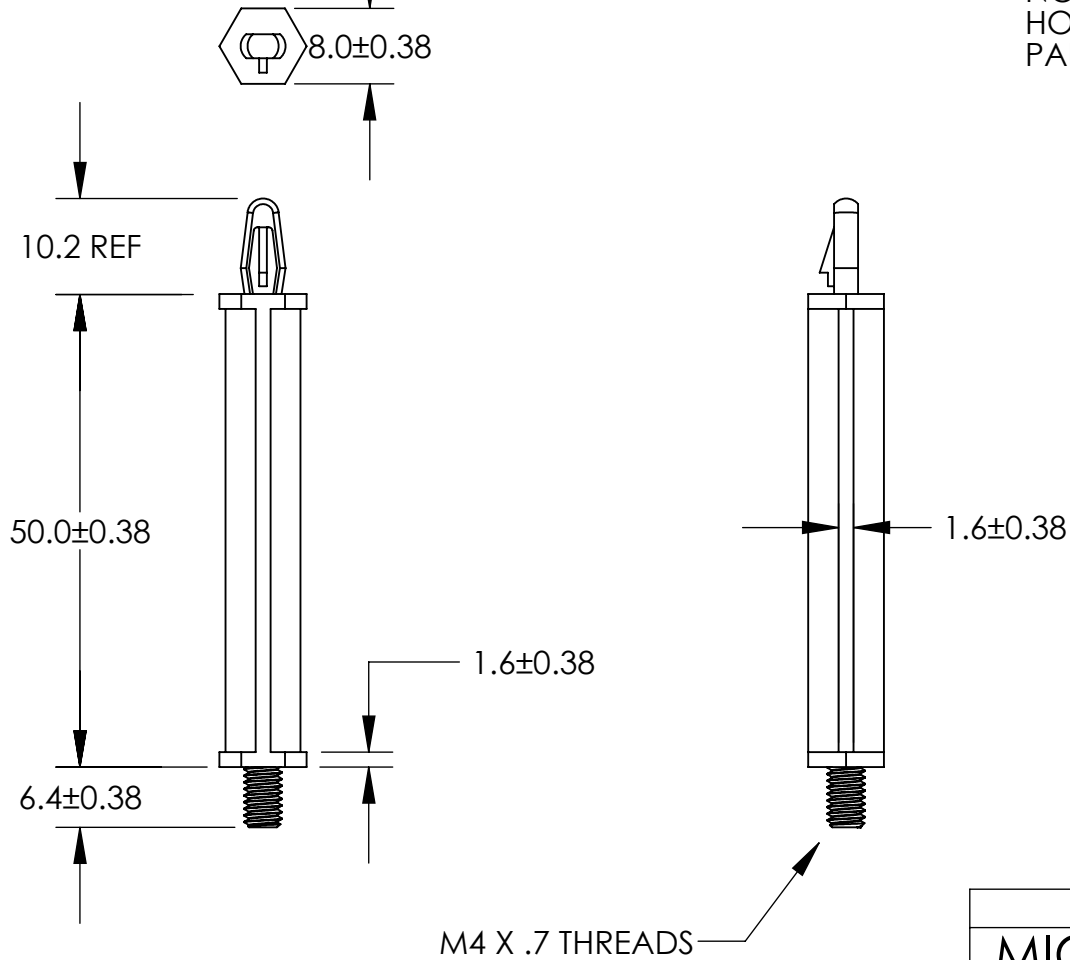


UNCONTROLLED DOCUMENT

NOTES:
HOLE SIZE 4MM
PANEL THICKNESS 1.8MM



TOLERANCES UNLESS NOTED

- ±.005 ON DIMENSIONS THRU .625
- ±.008 ON DIMENSIONS .626 THRU 1.000
- ±.010 ON DIMENSIONS 1.001 THRU 1.500
- ±.015 ON DIMENSIONS LARGER THAN 1.500
- ±.015 ON FRACTIONAL DIMENSIONS

WE RESERVE THE RIGHT
TO DISCONTINUE ITEMS,
CHANGE SPECIFICATIONS
OR DESIGN AT ANY TIME
WITHOUT NOTICE AND
WITHOUT INCURRING
ANY OBLIGATIONS

PROPERTY OF
MICRO PLASTICS INC.

CATALOG DRAWING
METRIC MALE PCB SUPPORT POST
MICRO P/N 27MLMTP50
DWG. # 27MLMTP50
FILE SERVER\ENG\WEB

MATERIAL: NYLON 6/6

DATE

SCALE
1.25:1

TA

Mouser Electronics

Authorized Distributor

Click to View Pricing, Inventory, Delivery & Lifecycle Information:

[Essentra:](#)

[27MLMTP50](#)