

# AA Cascade Series AAC-050-24-22

## Thermoelectric Assembly



The AA Cascade Series is an Air-to-Air thermoelectric assembly (TEA) that offers dependable, compact performance by cooling objects via convection. Heat is absorbed and dissipated thru high density heat exchangers equipped with air ducted shrouds and brand name fans. The thermoelectric modules are custom designed multistage cascades to achieve a high temperature differential, which allows this series to reach colder temperatures than standard AA product offerings. Custom configurations and moisture protection options are available, however, MOQ applies.

Americas: +1.919.597.7300  
Europe: +46.31.420530  
Asia: +86.755.2714.1166  
ets.sales@lairdtech.com  
[www.lairdtech.com](http://www.lairdtech.com)

### FEATURES

- Compact design
- Precise temperature control
- Reliable solid-state operation
- DC operation
- RoHS compliant

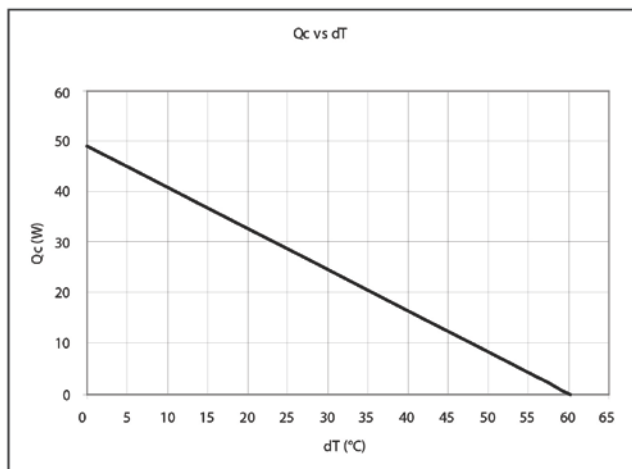
### APPLICATIONS

- Analytical instrumentation
- Medical diagnostics
- Photonics laser systems
- Industrial instrumentation
- Food and beverage cooling

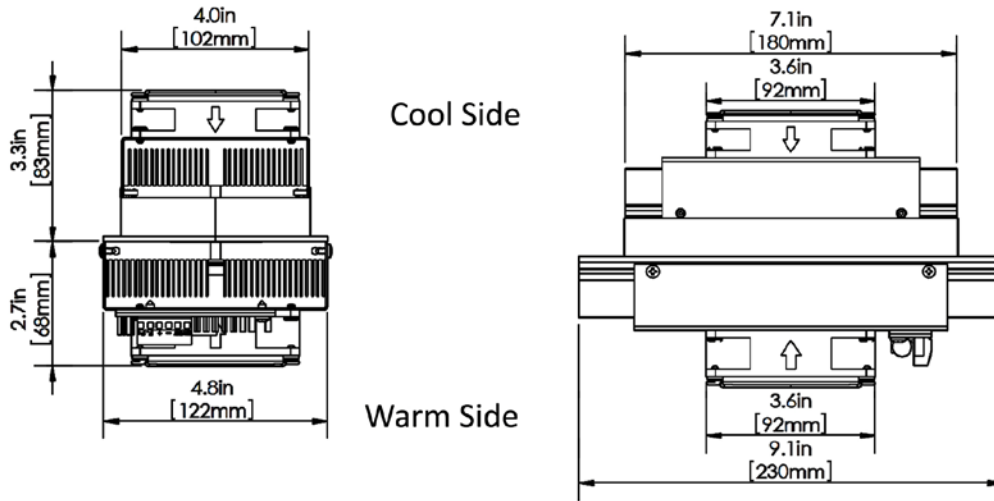
### SPECIFICATIONS

Cooling Power $Q_{cmax}$ (W)	49
Running Current (A)	4.7
Startup Current (A)	5.6
Nominal Voltage (V)	24
Max Voltage (V)	30
Power Input (W)	113
Operating Temperature (°C)	-10 to 47
Weight (kg)	2.7
MTBF (fans - hrs)	50,000
Performance Tolerance	±10%

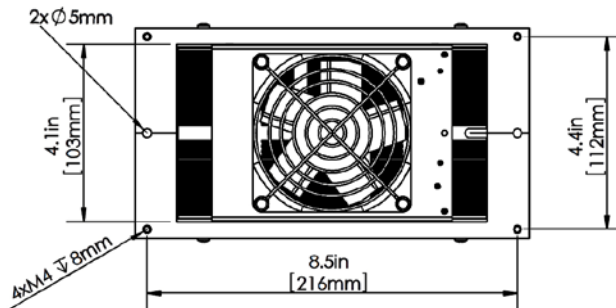
### PERFORMANCE CURVE



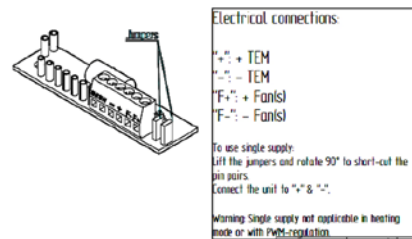
### ISOMETRIC DRAWINGS



### MOUNTING HOLE LOCATION



### WIRING SCHEMATIC



### NOTES

Overheating thermostat: 75°C ± 5°C on heat sink surface  
 For indoor use only

LAIRD-ETS-AAC-050-24-22-DATA-SHEET-100616

Any information furnished by Laird Technologies, Inc. and its agents is believed to be accurate and reliable. All specifications are subject to change without notice. Responsibility for the use and application of Laird Technologies materials rests with the end user. Laird Technologies makes no warranties as to the fitness, merchantability, suitability or non-infringement of any Laird Technologies materials or products for any specific or general uses. Laird Technologies shall not be liable for incidental or consequential damages of any kind. All Laird Technologies products are sold pursuant to the Laird Technologies' Terms and Conditions of sale in effect from time to time, a copy of which will be furnished upon request. © Copyright 2016 Laird Technologies, Inc. All Rights Reserved. Laird, Laird Technologies, the Laird Technologies Logo, and other marks are trademarks or registered trademarks of Laird Technologies, Inc. or an affiliate company thereof. Other product or service names may be the property of third parties. Nothing herein provides a license under any Laird Technologies or any third party intellectual property rights.

# Mouser Electronics

Authorized Distributor

Click to View Pricing, Inventory, Delivery & Lifecycle Information:

[Laird Thermal Systems:](#)

[AAC050-24-22-00-00](#)