

KPB22 Series

22mm Illuminated Pushbutton Switches



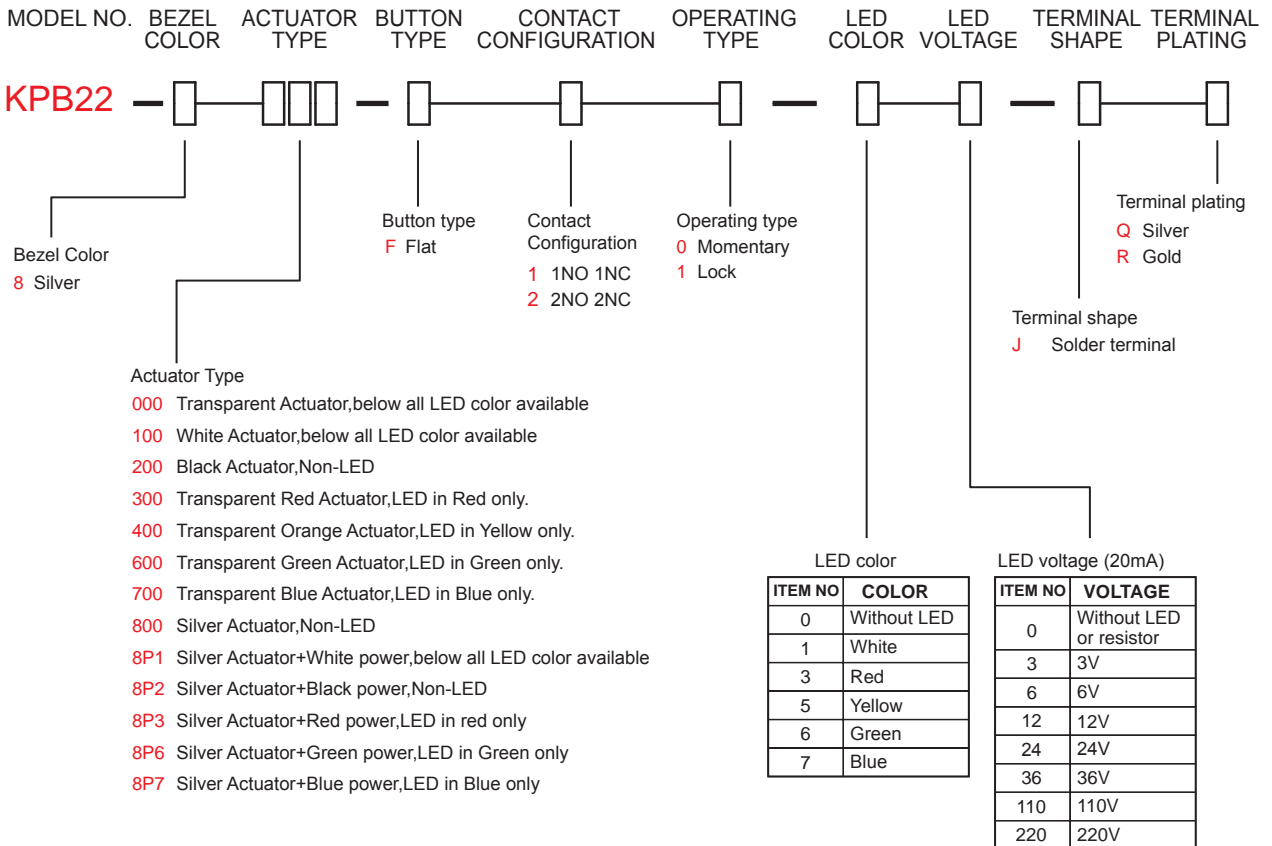
SPECIFICATIONS

- RATING** : Ith 5A/250VAC. resistive load 3A/250VAC.
- CONTACT RESISTANCE** : 50mΩ MAX.@1A 12VDC(initial value).
- INSULATION RESISTANCE** : 1,000MΩ MIN at 500VDC.
- DIELECTRIC STRENGTH** : 2,000V RMS@sea level.
- OPERATION TEMPERATURE** : -20°C to 55°C.
- MECHANICAL LIFE** : Momentary 1,000,000 cycles
Lock 500,000 cycles
- ELECTRICAL LIFE** : 50,000 make-and-break cycles at full load.
- TORQUE** : 0.3~0.5Nm.
- PANEL THICKNESS** : 6mm (Ø22.00mm)
- OPERATION PRESSURE** : 1Pole 2.5±1N / 2Poles 3.5±1N
- TRAVEL** : ABOUT 3.2mm.
- INGRESS PROTECTION** : IP65

MATERIALS

- BEZEL** : PC
- BASE** : PBT(UL 94-V0) & PC(UL 94-V2)
- ACTUATOR** : PC & POM.
- INNER ASSEMBLY** : POM. / PA66.
- SPRING** : Stainless steel.
- SEALING** : Silicone.
- O-Ring** : Silicone.
- TERMINAL / CONTACT** : Brass,Silver plated.
- HEX NUT** : PC.

HOW TO ORDER



EXAMPLE:

KPB22-88P1-F10-□□-JQ
 LED color LED voltage



KPB22 Pushbutton Switches

KPB22 Series

22mm Illuminated Pushbutton Switches

CIRCUIT

POSITION 1

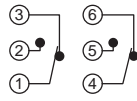


Without LED (1 Pole)

POSITION 2

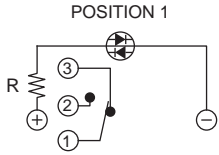
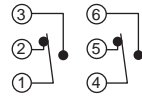


POSITION 1

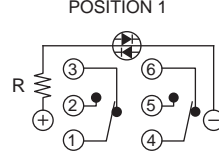
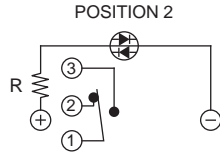


Without LED (2 Poles)

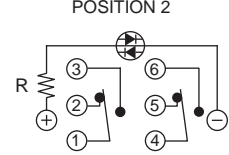
POSITION 2



Single Color Led (1 Pole)



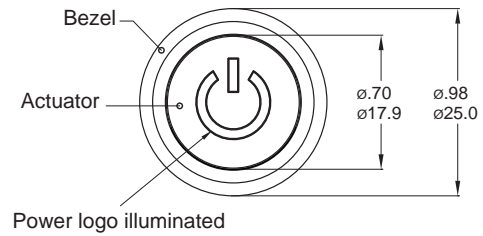
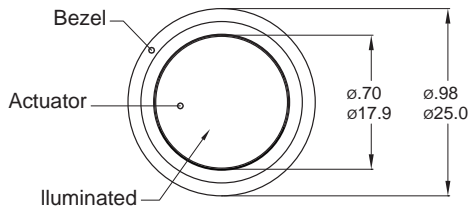
Dual Color Led (2 Poles)



ACTUATOR TYPE

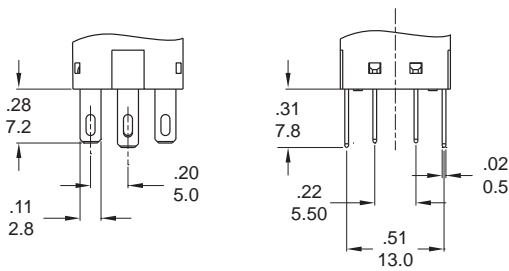
X00 Transparent Actuator

8PX Power



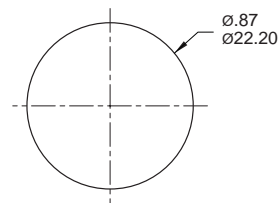
TERMINAL TYPE

J Solder terminal (std)



PANEL MOUNTING

Max. Panel thickness: 6.0mm [24]



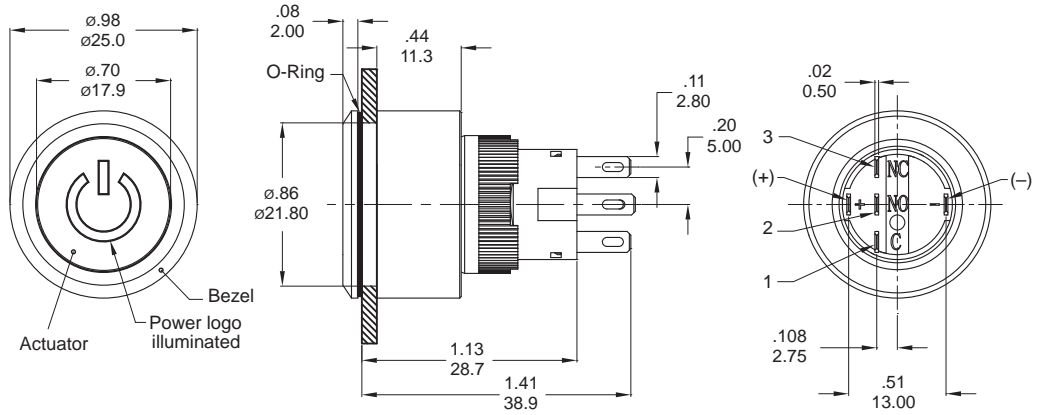
O-RING INSTALLATION

Proposal	In front of the panel
Installation Diagram	

KPB22 Series

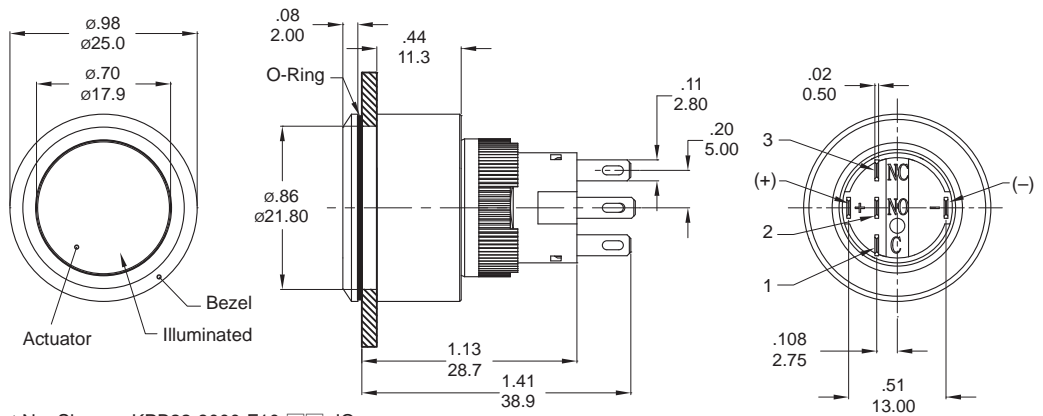
22mm Illuminated Pushbutton Switches

8P1



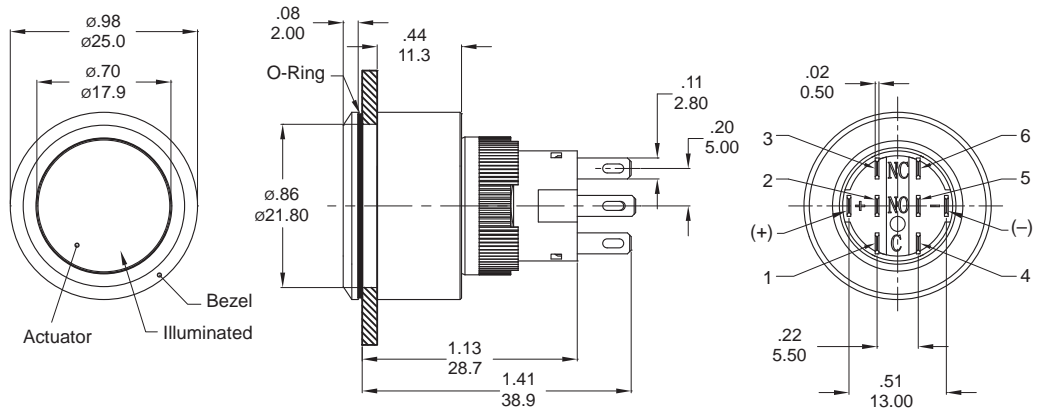
Part No. Shown : KPB22-88P1-F10-□□-JQ

000



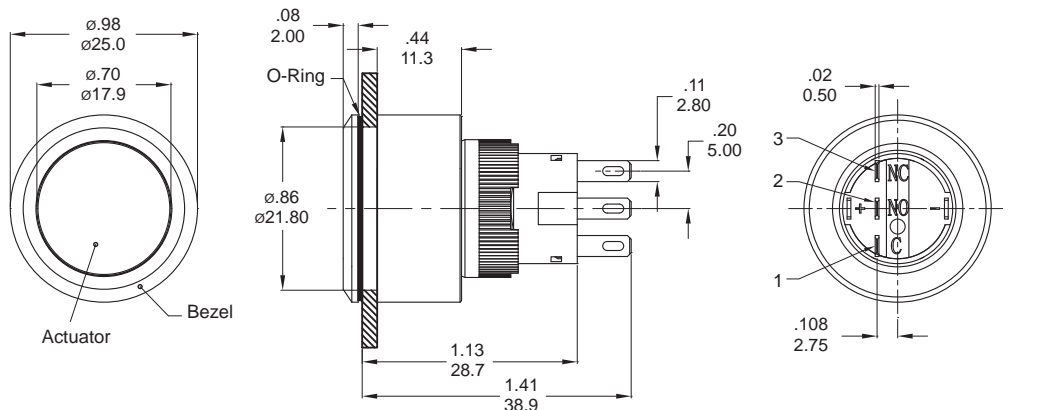
Part No. Shown : KPB22-8000-F10-□□-JQ

400



Part No. Shown : KPB22-8400-F20-5□-JQ

800 Non-LED



Part No. Shown : KPB22-8800-F10-JQ



KPB22
Pushbutton Switches

Mouser Electronics

Authorized Distributor

Click to View Pricing, Inventory, Delivery & Lifecycle Information:

Dailywell:

[KPB22-88P1-F11-76-JQ](#)