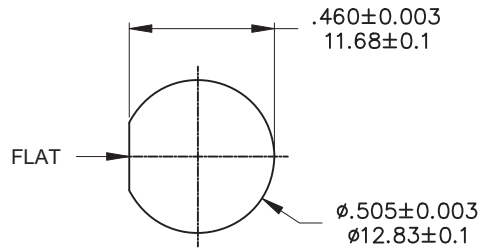
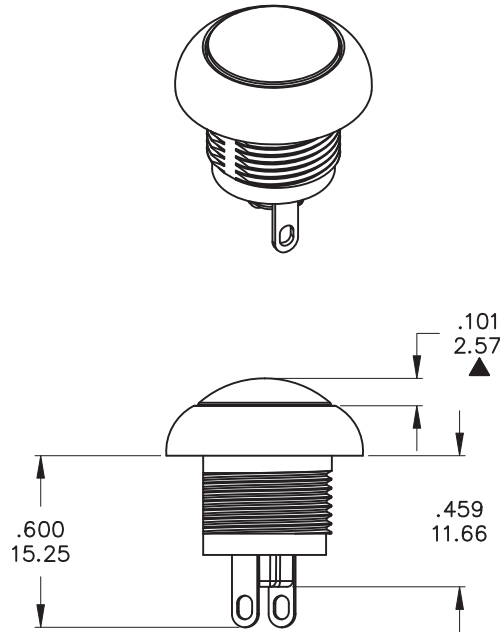
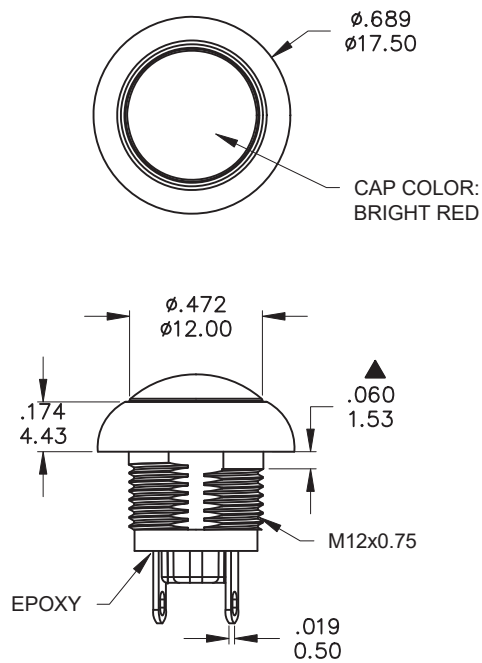


本公司智慧財產，未經同意不得複製
DAILYWELL copyright, may not be used
without permission from DAILYWELL



PANEL CUT-OUT

THICKNESS: 0.6 mm ~ 3.0 mm

MATERIALS

- CAP:** PC.
- PLUNGER:** Polyamide 6/6.
- RUBBER:** Silicone.
- BUSHING:** Polyamide 6/6.
- CASE:** Polyamide 6/6.
- TERMINAL:** Brass, Gold over silver plated.
- CONTACTS:** Brass, Gold over silver plated.
- RoHS & Lead Free**

Model No.	POS.1	POS.2
	OFF	MOM(ON)
CONNECTED TERMINALS	OPEN	CLOSE
SCHMATIC		

SWITCH FUNCTION

SPECIFICATIONS

- Max. current/voltage rating with resistive load:** 5A 28VDC , 25,000 cycles
- INITIAL CONTACT RESISTANCE:** 50 mΩ max.
- INSULATION RESISTANCE:** 1 GΩ min. at 500VDC.
- DIELECTRIC STRENGTH:** 1,000 VAC rms.
- TOTAL TRAVEL:** 1.8 mm.
- OPERATING FORCE:** 8N±2N.
- MECHANICAL LIFE:** 1,000,000 cycles.
- TORQUE:** 0.5 Nm max. applied to nut.
- SOLDERING:** 280°C for 3 seconds.
- OPERATING TEMPERATURE:** -40°C to 85°C.
- DEGREE OF PROTECTION:** IP68.

PART NO.	PART NAME	Q'TY	
1	MNU- PA03	M12 X 0.75 NUT	1
2	MNU-1M09	LOCKING WASHER	1
3	VRG-S105129-120BK-1	O-RING	1

FILE NAME: HARDWARE-0169



德利威電子股份有限公司
DAILYWELL ELECTRONICS CO.,LTD.

符號	原尺寸	修改後尺寸	變更日期	SCALE (比例) : 3 : 2	圖名	圖號	圖紙	單位	張數	日期	製圖	審核	確認	日期	製圖	單位
1	(A)			TOLERANCE (公差): 0.00mm±0.25mm 0.0mm±0.40mm ANGULAR: ±5° FILE NAME : PFH0002	Pushbutton Switches	PFH6B2M1CESA3S-5	圖紙	inch	1 of 2	SEP - 05 - 2023	IRENE	顧睿豐	劉奕良	SEP - 05 - 2023	IRENE	A4
2	(B)						圖號	單位								
3	(C)						版本	張數								
4	(D)						日期	製圖								
5	(E)						審核	確認								

Mouser Electronics

Authorized Distributor

Click to View Pricing, Inventory, Delivery & Lifecycle Information:

[Dailywell:](#)

[PFH6B2M1CESA3S-5](#)