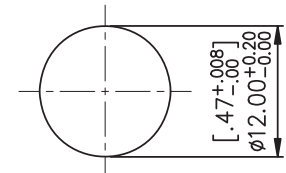
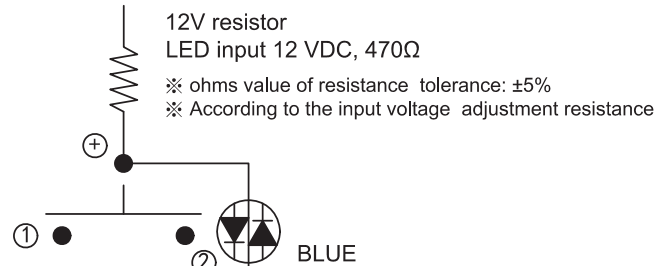
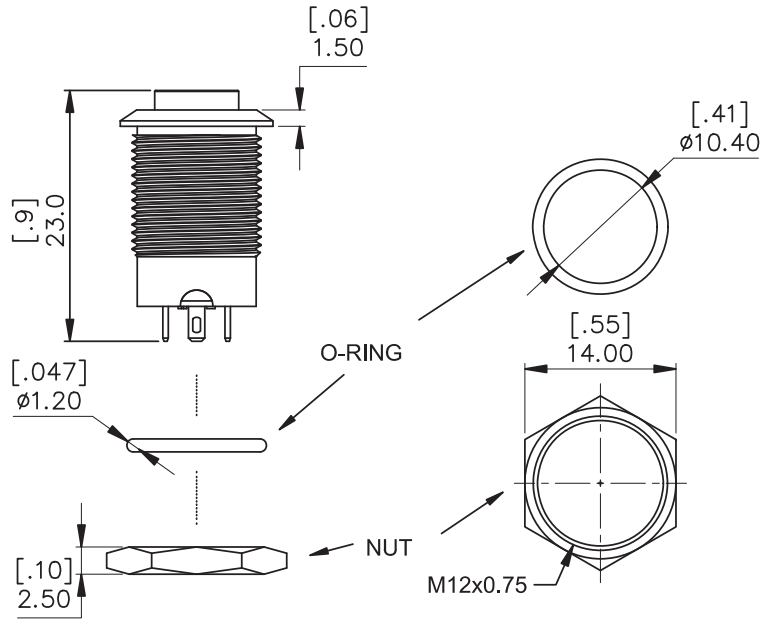
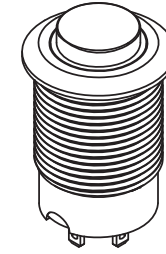
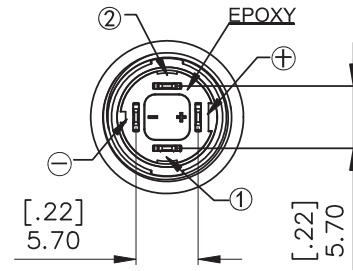
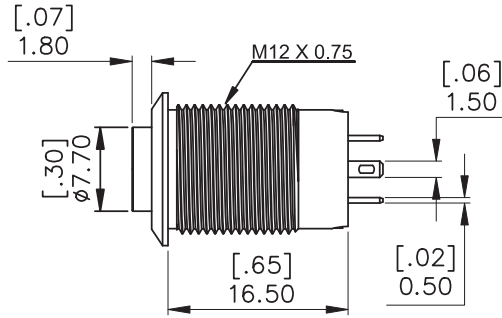
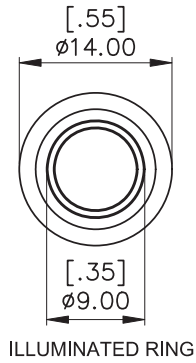


本公司智慧財產，未經同意不得複製
DAILYWELL copyright, may not be used
without permission from DAILYWELL



MATERIAL:
BUSHING: Stainless Steel.
BASE: PA66.
ACTUATOR: Stainless Steel / PC.
INNER ASSEMBLY: PC.
SPRING: Spring steel.
SEALING: Silicone.
O-Ring: Silicone.
① TERMINAL: Brass, Gold flash over silver.
② HEX NUT: Brass, Nickel plated.
③ CONTACT: Brass, Gold plated.

- SPECIFICATIONS
- 1.RATING: 100mA/24VDC.
 - 2.ELECTRICAL LIFE: 100,000 MAKE-AND-BREAK CYCLES AT FULL LOAD.
 - 3.MECHANICAL LIFE: 500,000. CYCLES
 - 4.INSULATION RESISTANCE: 1,000MΩ MIN AT 500VDC .
 - 5.DIELECTRIC STRENGTH: 1,000V RMS@sea level.
 - 6.CONTACT RESISTANCE: 50mΩ MAX.@1A 12VDC(initial value).
 - 7.OPERATING TEMPERATURE: -20°C to 55°C.
 - 8.TRAVEL: ABOUT 1.8mm.
 - 9.OPERATION PRESSURE: 3.0±1.5N.
 - 10.INGRESS PROTECTION: IP67
 - 11.TORQUE: 1~3Nm.
 - 12.CURRENT LIMITING RESISTOR IS REQUIRED TO LIMIT LED FORWARD CURRENT TO 20mA.

德利威電子股份有限公司
DAILYWELL ELECTRONICS CO.,LTD.

符號	原尺寸	修改後尺寸	變更日期	SCALE (比例): 2:1	TITLE 圖名	SIZE 圖紙	
1	① TERMINAL: Brass, Gold over silver plated. CONTACT: Brass, Gold over silver plated.	① TERMINAL: Brass, Gold flash over silver. CONTACT: Brass, Gold plated.	OCT-19-2023	TOLERANCE (公差): 0.00mm±0.25mm 0.0mm±0.40mm ANGULAR: ±5° FILE NAME : MPB12-0010	Metal push button switch Ø12	A4	
2	②				DWG NO. 圖號	MPB12-A02HE-7-JR-12V	UNIT 單位 mm
3	③				REV. 版本	B	DATE 日期
4	④					JUL - 14 - 2023	SHEET 張數
5	⑤				APPROVE 審核	顧睿豐	CHECK 確認
					劉奕良	DRAW 製圖	CONNIE

Mouser Electronics

Authorized Distributor

Click to View Pricing, Inventory, Delivery & Lifecycle Information:

[Dailywell:](#)

[MPB12-A02HE-7-JR-12V](#)