



ANT-4COIL20

Features:

- Bandwidth 433.92MHz +/-5%
- Gain 2.5dBi
- Material Phosphor Bronze
c/w Protective Sleeve
- Vertical Polarisation
- VSWR <3.0
- Omni-Directional Design
- 50ohm Impedance
- Operating Temp -30 to +65°C
- Dimensions 20.5 x 5mm
- Max Power 1W



Applications

- General Low Power Radio
- IOT / M2M Applications
- Telemetry

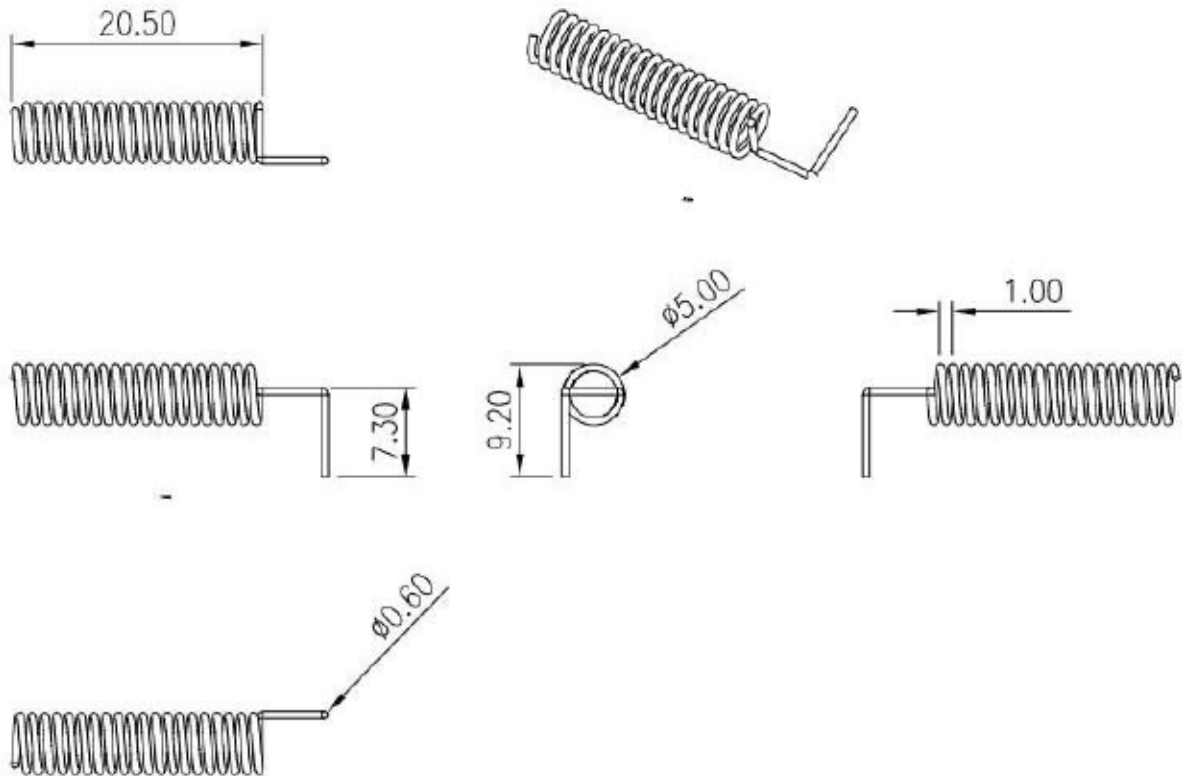
Description

A compact Spring Coil antenna for very small space saving applications.

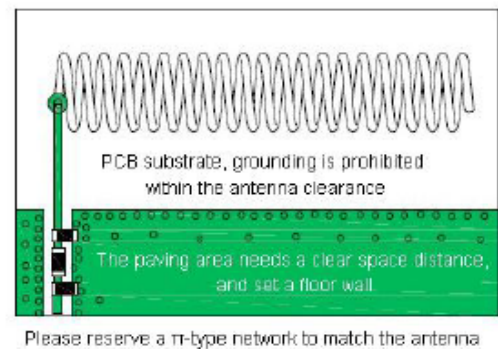
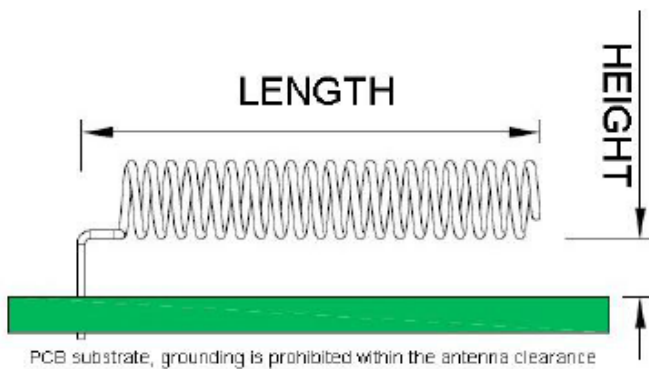
Ordering Information

Part No	Description
ANT-4COIL20	Spring Coil Antenna 20.5x5mm +2.5dBi PCB Mount

Mechanical Dimensions



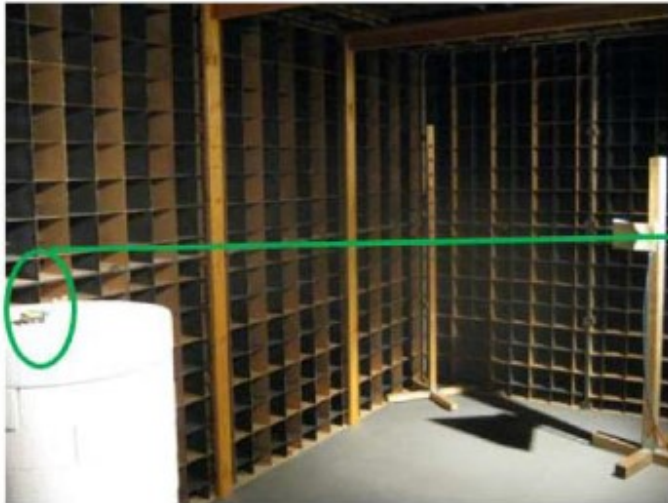
Application



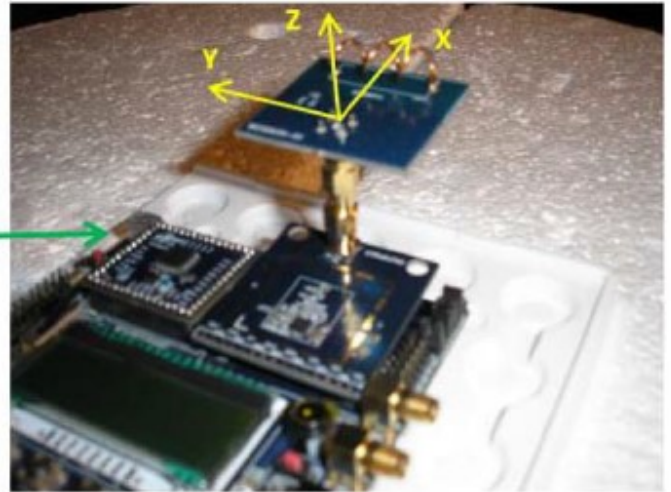
Mount the Antenna leaving a ~3-5mm gap edge from the PCB Ground plane.

Ideally an impedance matching network is employed between RF source and the antenna to reduce losses between the two. This may be a standard P type network combined with impedance controlled PCB tracks.

Test Environment

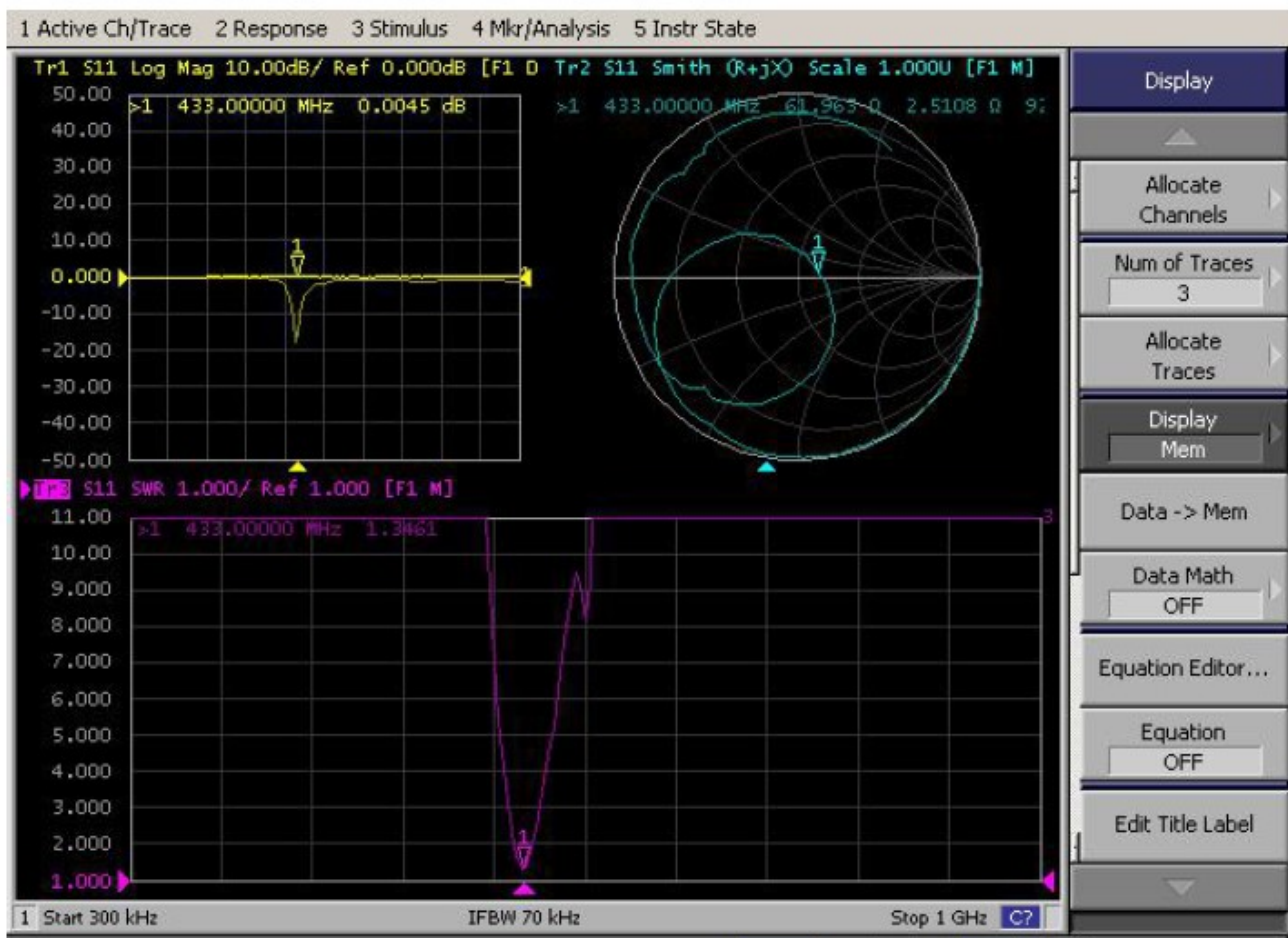


Dark Room Test



XYZ direction test

Performance / VSWR Plot



RF Solutions Ltd. Recycling Notice

Meets the following EC Directives: **DO NOT** Discard with normal waste, please recycle.

ROHS Directive 2011/65/EU and amendment 2015/863/EU

Specifies certain limits for hazardous substances.

WEEE Directive 2012/19/EU Waste electrical & electronic equipment. This product must be disposed of through a licensed WEEE collection point. RF Solutions Ltd., fulfils its WEEE obligations by membership of an approved compliance scheme. Environment agency registration number **WEE/JB0104WV**.



Disclaimer:

Whilst the information in this document is believed to be correct at the time of issue, RF Solutions Ltd does not accept any liability whatsoever for its accuracy, adequacy or completeness. No express or implied warranty or representation is given relating to the information contained in this document. RF Solutions Ltd reserves the right to make changes and improvements to the product(s) described herein without notice. Buyers and other users should determine for themselves the suitability of any such information or products for their own particular requirements or specification(s). RF Solutions Ltd shall not be liable for any loss or damage caused as a result of user's own determination of how to deploy or use RF Solutions Ltd's products. Use of RF Solutions Ltd products or components in life support and/or safety applications is not authorised except with express written approval. No licences are created, implicitly or otherwise, under any of RF Solutions Ltd's intellectual property rights. Liability for loss or damage resulting or caused by reliance on the information contained herein or from the use of the product (including liability resulting from negligence or where RF Solutions Ltd was aware of the possibility of such loss or damage arising) is excluded. This will not operate to Limit or restrict RF Solutions Ltd's liability for death or personal injury resulting from its negligence.

Mouser Electronics

Authorized Distributor

Click to View Pricing, Inventory, Delivery & Lifecycle Information:

[RF Solutions:](#)

[ANT-4COIL20](#)