

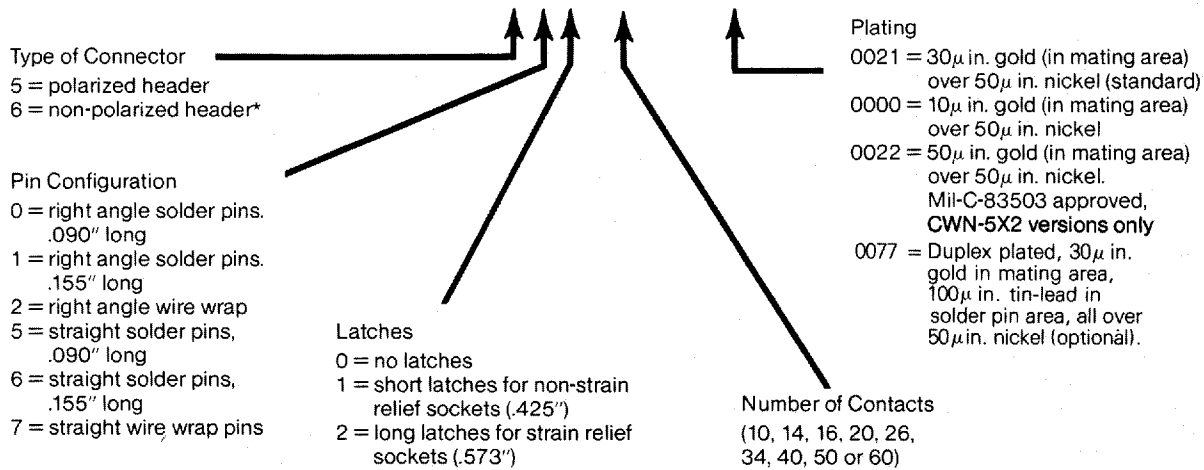
Specifications and Ordering Information

Specifications

- Contacts: phosphor bronze, standard; bare CDA 725, optional
- Contact Plating: 30 μ in. gold (in mating area) over 50 μ in. nickel, standard; 10 μ in. gold (in mating area) over 50 μ in. nickel, optional; 50 μ in. gold (in mating area) over 50 μ in. nickel, optional
- Insulator Material: UL 94V-0 flame-retardant thermoplastic
- Color: blue
- Operating Temperature: -55°C to +125°C
- Current Rating: 1A (maximum) per contact
- Dielectric Withstand Voltage: greater than 500 Vdc at sea level
- Insulation Resistance: greater than 5 x 10⁹ohms
- U.S. Defense Department Mil-C-83503/24 and 25 approved

How to Order Fully Shrouded Header Connectors

CWN-XXX-XX-XXXX



No. Conts.	A	B	C	D	E①	E②	F①	F②
10	.400 (10.16)	.860 (21.84)	1.260 (32.00)	1.100 (27.94)	↑	↑	↑	↑
14	.600 (15.24)	1.060 (26.92)	1.460 (37.08)	1.300 (33.02)				
16	.700 (17.78)	1.160 (29.46)	1.560 (39.62)	1.400 (35.56)				
20	.900 (22.86)	1.360 (34.54)	1.760 (44.70)	1.600 (40.64)				
26	1.200 (30.48)	1.660 (42.16)	2.060 (52.32)	1.900 (48.26)	.425 (10.80)	.573 (14.55)	.40 (10.2)	.51 (12.6)
34	1.600 (40.64)	2.060 (52.32)	2.460 (62.48)	2.300 (58.42)	↓	↓	↓	↓
40	1.900 (48.26)	2.360 (59.44)	2.760 (70.10)	2.600 (66.04)				
50	2.400 (60.96)	2.860 (72.64)	3.260 (82.80)	3.100 (78.74)				
60	2.900 (73.66)	3.360 (85.34)	3.760 (95.50)	3.600 (91.44)				

E ① and F ① pertains to all headers with short latches

E ② and F ② pertains to all headers with long latches

*Polarizing ribs removed

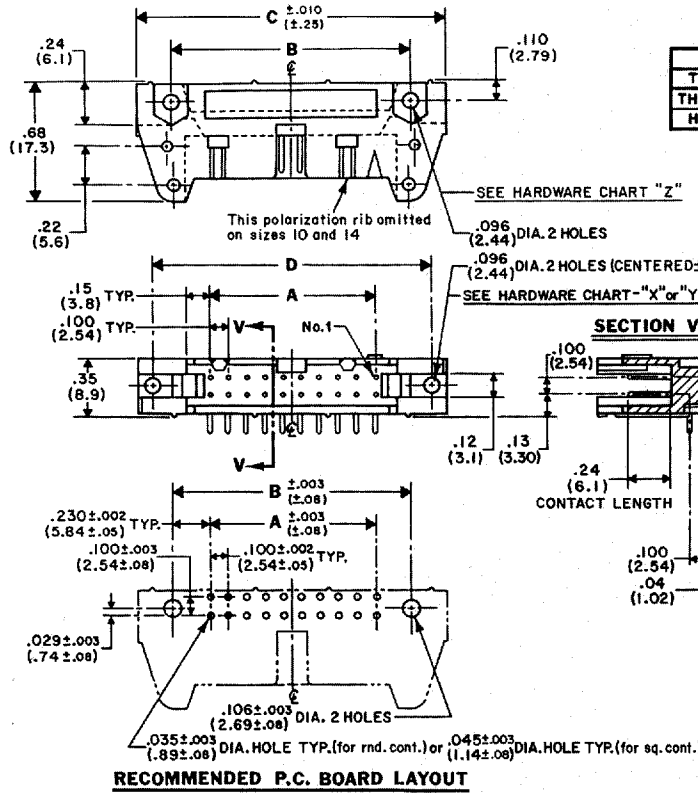
REVISIONS	Tolerances unless otherwise specified: 2 PLACE DEC. ± .010 3 PLACE DEC. ± .005 ANGLES ± 1°	CW INDUSTRIES 130 James Way Southampton, PA 18966
	L. Webber DRAWN BY	
	CHECKED BY	
	ENG. APPR.	PART NO.

Headers - Fully Shrouded

Engineering Dimensions

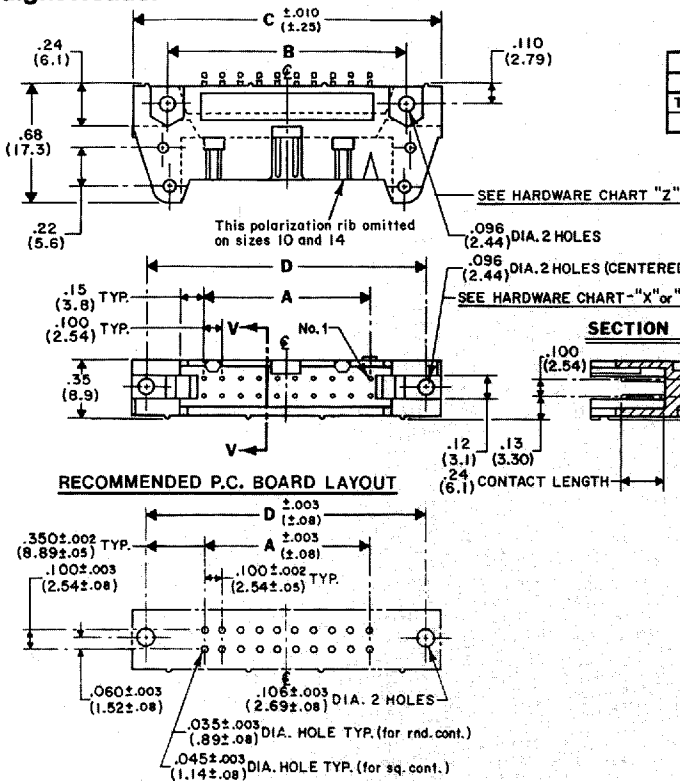
Dimensions

Right Angle Header

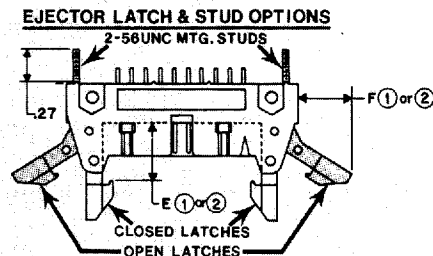


HARDWARE CHART			
TYPE	"X"	"Y"	"Z"
THREAD	2-56UNC	1-72UNF	2-56UNC
HEAD	HEX.	RND.	OPT.

Straight Header



HARDWARE CHART			
TYPE	"X"	"Y"	"Z"
THREAD	2-56UNC	1-72UNF	2-56UNC
HEAD	HEX.	RND.	OPT.



Mouser Electronics

Authorized Distributor

Click to View Pricing, Inventory, Delivery & Lifecycle Information:

[CW Industries:](#)

[CWN-512-60-0022](#)