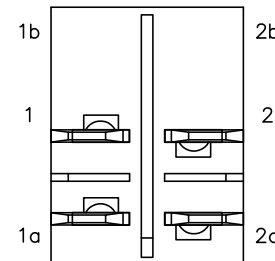
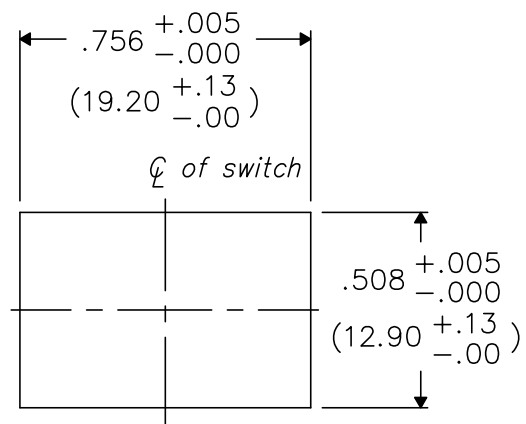
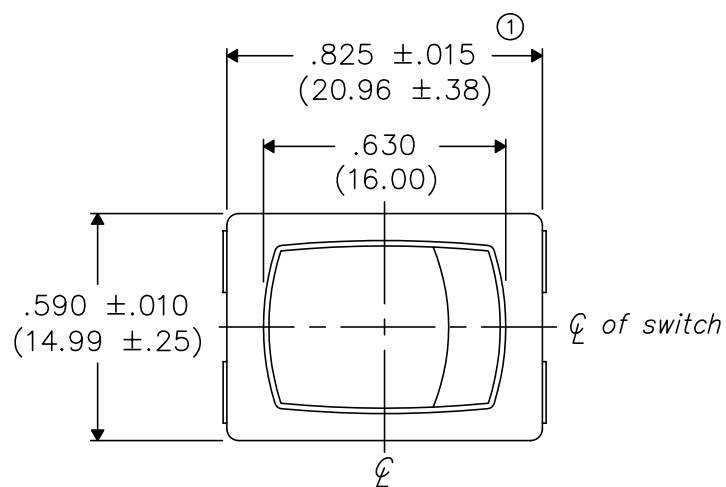


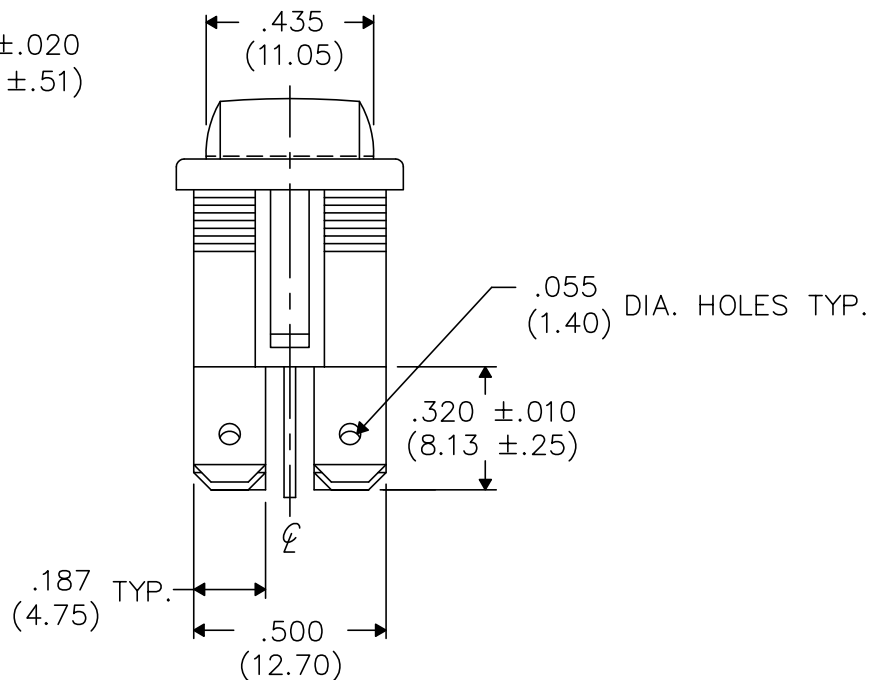
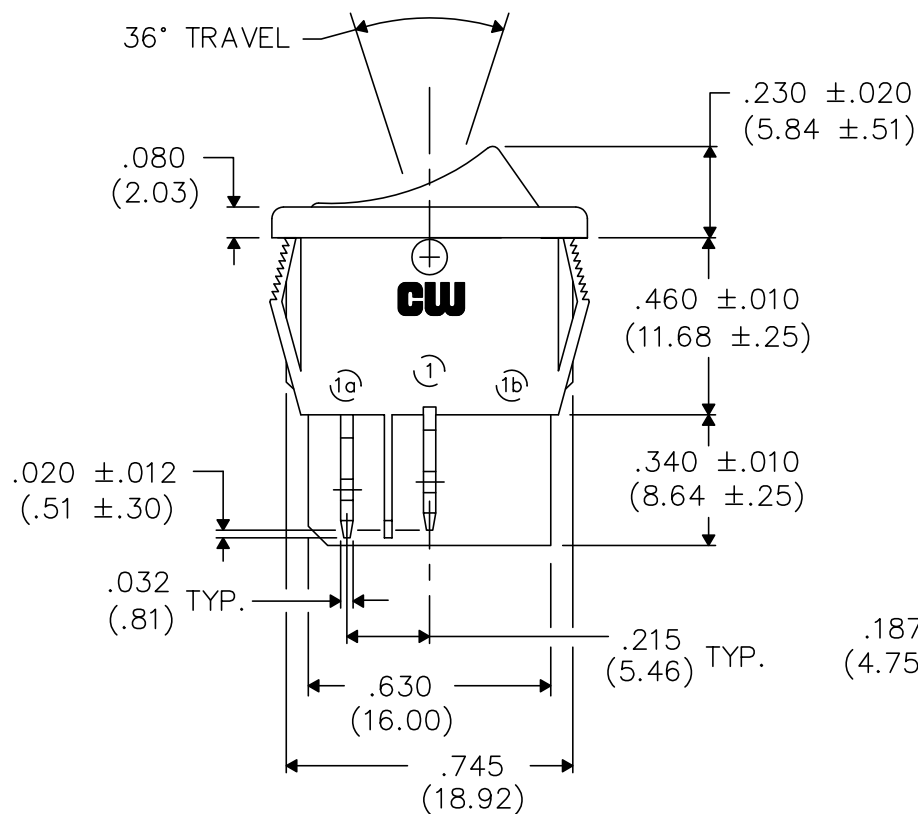
DIMENSIONS IN INCHES (MILLIMETERS)  
DO NOT SCALE DRAWING .....

Dwg. No.  
GRSV-4021-0004

PANEL PIERCING



BOTTOM VIEW



MATERIAL:

- ROCKER KNOB- Polyester - Red
- HOUSING- Polyester - Black
- TERMINAL/STATIONARY/MOVING CONTACT- Copper alloy, and/or copper alloy silver plated.
- SPRING- music wire
- PLUNGER- plated steel

PERFORMANCE STANDARDS-

- Endurance- 100,000 cycles, no load, minimum
- 25,000 cycles at rated load minimum up to 16A 125 VAC
- 10,000 cycles at rated load minimum at 16A 250 VAC
- Contact Resistance- less than .01 Ohm at 10 mA (initial)
- Operating Temperature- 105° C maximum
- High Voltage Dielectric Withstanding Voltage- 2,500 V, 60 Hz for 1 minute between mounting surface and circuit connections

HUMIDITY- Insulation resistance > 10<sup>3</sup> MOhms after 100 hours at 95% R.H. and 50° C followed by 1 hour dry at ambient room conditions

ELECTRICAL RATING-

- 16A 125-250VAC , 10A 14V (T)
- 3/4 H.P. 125-250VAC , 3A 125V (L)
- 10(4) 250 ~ μ

LISTING AGENCIES-



	1	2	3	4	5	6	7	8	9	10
--	---	---	---	---	---	---	---	---	---	----

FORM-B3

REVISIONS

0	RELEASED. DGW 8-24-2000 Aug. 28, 2000
1	.825±.015 WAS .825±.010. DGW 10-24-2003 GG Oct. 24, 2003

<p>Southampton, Pa. 18966</p>		<p>Title: ROCKER SWIDGET ASSEMBLY (POP IN), W/BARR.S D.P.-S.T.</p>					
<p>TOLERANCES UNLESS OTHERWISE SPECIFIED</p> <table border="1"> <tr> <td>2 Place Decimal ±.010</td> <td>METRIC</td> </tr> <tr> <td>3 Place Decimal ±.005</td> <td>1 Place Dec. ±.25mm</td> </tr> <tr> <td>Angles ..... ±1°</td> <td>2 Place Dec. ±.13mm</td> </tr> </table>			2 Place Decimal ±.010	METRIC	3 Place Decimal ±.005	1 Place Dec. ±.25mm	Angles ..... ±1°
2 Place Decimal ±.010	METRIC						
3 Place Decimal ±.005	1 Place Dec. ±.25mm						
Angles ..... ±1°	2 Place Dec. ±.13mm						
PDF File Made	Made for: CW IND.	Division: SWITCH					
	Drawn by: DGW 8-24-2000						
	Checked by: GG 8-28-00	Dwg. No. GRSV-4021-0004					
	Approval: BF 8-28-00						

# Mouser Electronics

Authorized Distributor

Click to View Pricing, Inventory, Delivery & Lifecycle Information:

[CW Industries:](#)

[GRSV-4021-0004](#)