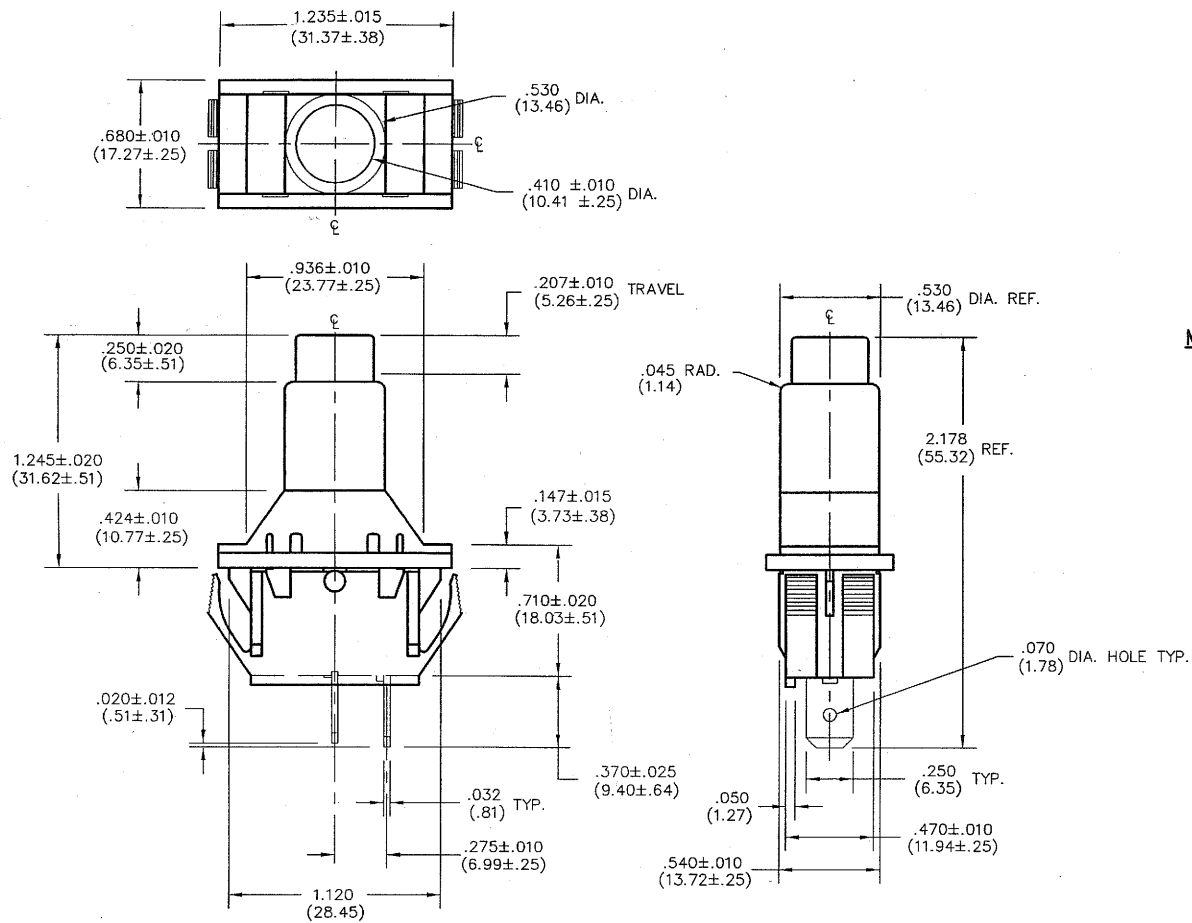


E  
D  
C  
B  
A



**MATERIALS:**

HOUSING AND ROCKER: NYLON 6/6 85°C MATERIAL  
TERMINAL AND MOVING CONTACT: COPPER ALLOY

**RATINGS:**

16A. 125V.A.C. 12A. 250V.A.C.  
3/4 H.P. 125-250V.A.C.  
12 (6)A. 250 ~ VDE

OPERATING TEMPERATURE/HUMIDITY: -30C - 85C/100 Hour Soak @  
95% RH and 50C and 1 Hour dry in ambient = > 10 M ohms

ELECTRICAL CYCLES: UL Rated 6K Cycles, VDE 10K Cycles

MECHANICAL CYCLES: 100K Cycles

FLAMMABILITY RATING: UL 94V - 2

REGULATORY APPROVALS: UL 1054/VDE EN61058/CSA C22.2 No. 55

1	2	3	4	5	6	7	8	9	10							
<p><b>REVISIONS</b></p> <p>RELEASED: DGW 10-26-2009</p> <p>OCT 26 2009</p>							<p><b>CW INDUSTRIES</b> Southampton, Pa. 18966</p> <p>TOLERANCES UNLESS OTHERWISE SPECIFIED</p> <table border="1"> <tr> <td>2 Place Decimal ±.010</td> <td>METRIC</td> </tr> <tr> <td>3 Place Decimal ±.005</td> <td>1 Place Dec. ±.25mm</td> </tr> <tr> <td>Angles ..... ±1°</td> <td>2 Place Dec. ±.13mm</td> </tr> </table> <p>Made for: CW IND.</p> <p>Drawn by: DGW 10-26-2009</p> <p>Checked by: G. Guld 10-26-09</p> <p>Approval: G. Guld 10-26-09</p>		2 Place Decimal ±.010	METRIC	3 Place Decimal ±.005	1 Place Dec. ±.25mm	Angles ..... ±1°	2 Place Dec. ±.13mm	<p>Title: SWITCH ASSEMBLY PUSH ON/OFF S.P.- S.T.</p> <p>Division: SWITCH</p> <p>Dwg. No. GRSN-2011-2002</p>	
2 Place Decimal ±.010	METRIC															
3 Place Decimal ±.005	1 Place Dec. ±.25mm															
Angles ..... ±1°	2 Place Dec. ±.13mm															

MASTER

# Mouser Electronics

Authorized Distributor

Click to View Pricing, Inventory, Delivery & Lifecycle Information:

[CW Industries:](#)

[GRSN-2011-2002](#)