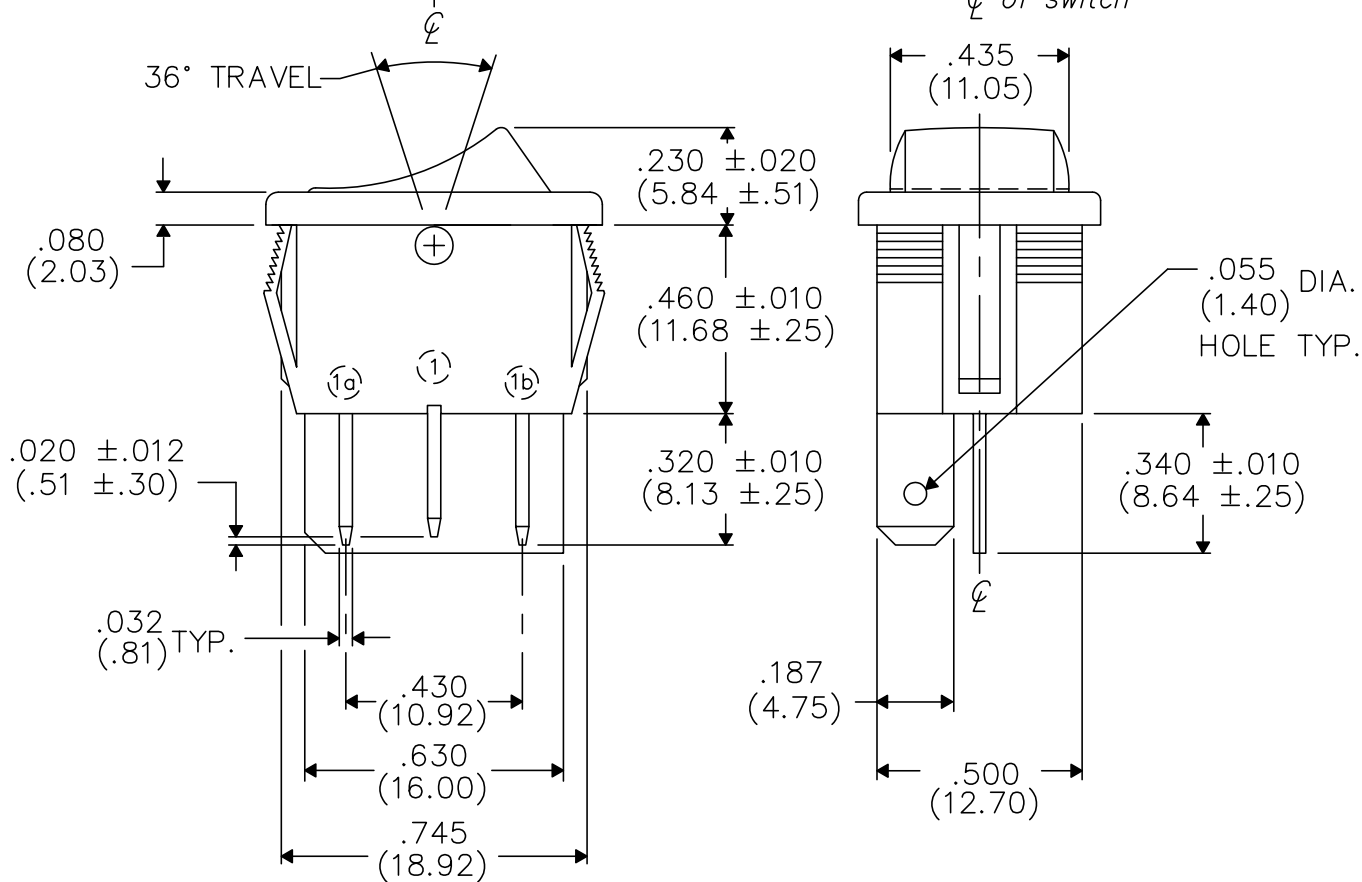
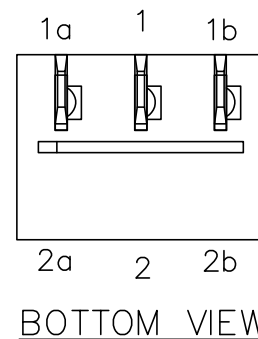
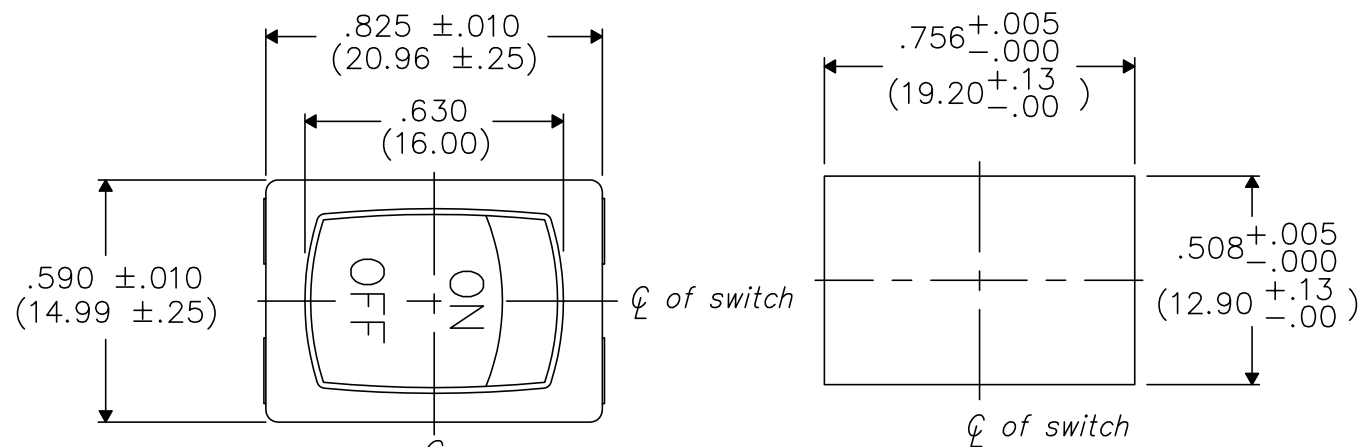


DIMENSIONS IN INCHES (MILLIMETERS)  
DO NOT SCALE DRAWING .....

Dwg. No.  
GRS-4012-0060

E  
D  
C  
B  
A

PANEL PIERCING



1 2 3 4 5 6 7 8 9 10

FORM-B4  
REVISIONS  
0  
RELEASED:  
DGW 3-04-2002  
3-11-2002

**CW INDUSTRIES**  
Southampton, Pa. 18966  
TOLERANCES UNLESS OTHERWISE SPECIFIED  
2 Place Decimal ±.010 METRIC  
3 Place Decimal ±.005 1 Place Dec. ±.25mm  
Angles ..... ±1' 2 Place Dec. ±.13mm  
Made for: CW IND.  
Drawn by: DGW 3-04-2002  
Checked by: GG 3-11-2002  
Approval: BF 3-11-2002

Title: ROCKER SWIDGET  
ASSEMBLY  
(POP IN)  
S.P. - D.T.  
Division: SWITCH  
Dwg. No. GRS-4012-0060

# Mouser Electronics

Authorized Distributor

Click to View Pricing, Inventory, Delivery & Lifecycle Information:

[CW Industries:](#)

[GRS-4012-0060](#)