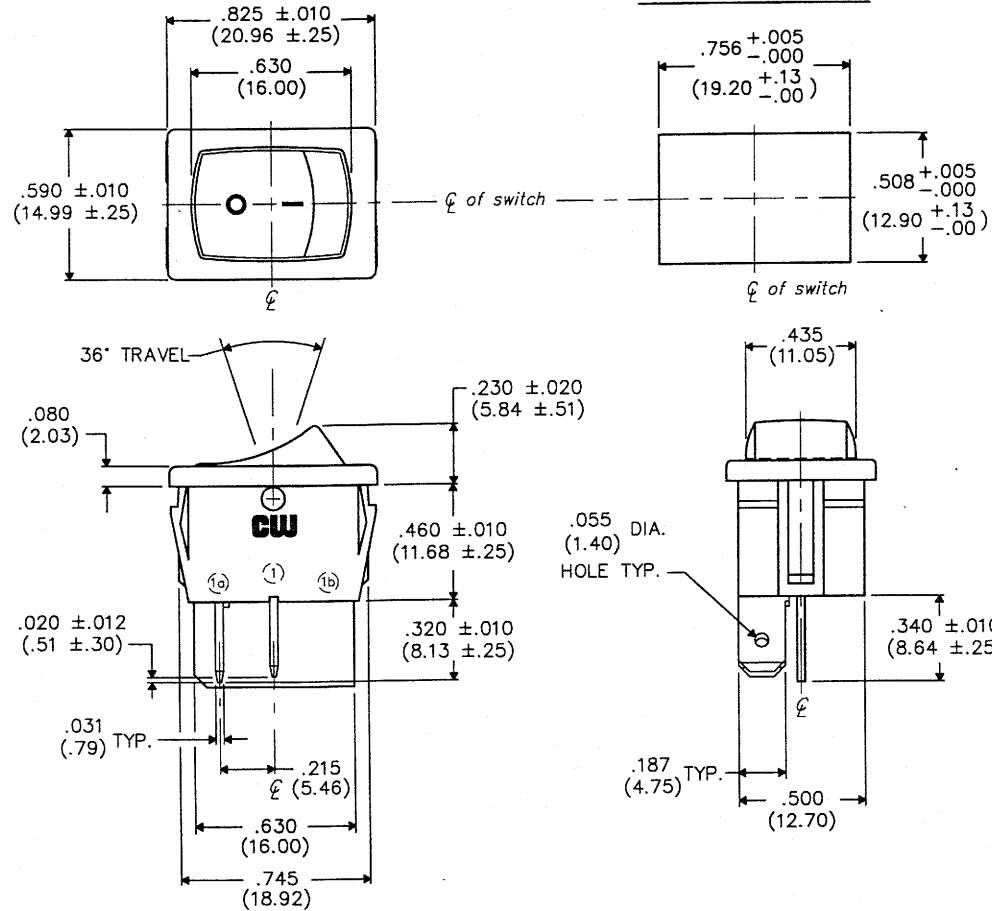


DIMENSIONS IN INCHES (MILLIMETERS)
DO NOT SCALE DRAWING

Dwg. No.

GRS-4011-0019

PANEL PIERCING



MATERIAL:

ROCKER KNOB- Nylon 94V-2

HOUSING- Nylon 94V-2

TERMINAL/STATIONARY/MOVING CONTACT- Copper alloy silver plated.

SPRING- music wire

PLUNGER- Nickel plated steel

PERFORMANCE STANDARDS-

Endurance- 100,000 cycles, no load, minimum
25,000 cycles at rated load minimum up to 16A
125 VAC
10,000 cycles at rated load minimum at 16A
250 VAC

Contact Resistance- less than .01 Ohm at 10 mA (initial)

Operating Temperature- 105° C maximum

High Voltage Dielectric Withstanding Voltage- 2,500 V,
60 Hz for 1 minute between mounting
surface and circuit connections

HUMIDITY- Insulation resistance > 10³ MOhms after 100 hours
at 95% R.H. and 50° C followed by 1 hour dry
at ambient room conditions

ELECTRICAL RATING-

16A 125-250VAC , 10A 14V (T)
3/4 H.P. 125-250VAC , 3A 125V (L)
10(4) 250 ~ μ

LISTING AGENCIES-



E
D
C
B
A

1 2 3 4 5 6 7 8 9 10

FORM-83
REVISIONS
RELEASED: DGW 6-01-95
6-06-95
1
REVISED & REDRAWN.
REPLACED 8 TOOTH CLAW
WITH NEW 2 STEP CLAW ON
HOUSING.
DGW 4-25-97
G.G. MAY 19 1997

PDF File Made	CW INDUSTRIES Southampton, Pa. 18966		Title: ROCKER SWIDGET ASSEMBLY (SNAP IN) S.P. - S.T.
	TOLERANCES UNLESS OTHERWISE SPECIFIED.		
	2 Place Decimal \pm .010 3 Place Decimal \pm .005 Angles \pm '	METRIC 1 Place Dec. \pm .25mm 2 Place Dec. \pm .13mm	
	Made for: CW IND.		
ID. No.	Drawn by: DGW 6-01-95		Division: SWITCH
	Checked by: G. GULD 5-19-97		Dwg. No. GRS-4011-0019
	Approval: B. Flanagan 5-19-97		

Mouser Electronics

Authorized Distributor

Click to View Pricing, Inventory, Delivery & Lifecycle Information:

[CW Industries:](#)

[GRS-4011-0019](#)