

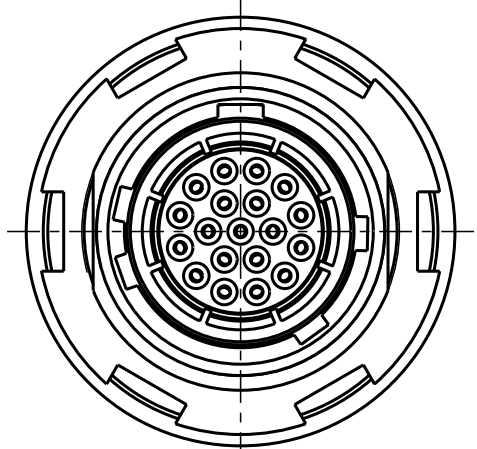
Für diese Unterlage behalten wir uns alle Rechte vor, auch für den Fall der Patentierung oder Gebrauchsmusteranmeldung. Sie darf ohne unsere vorherige schriftliche Zustimmung weder vervielfältigt noch sonstwie benutzt, noch Drillingen zugänglich gemacht werden.

Nur rot gestempelte oder auf Laufr Karte gedruckte Dokumente unterliegen dem Änderungsdienst und sind zur Fertigung freigegeben. Only red stamped or on job card printed documents are managed. These documents are approved for production.

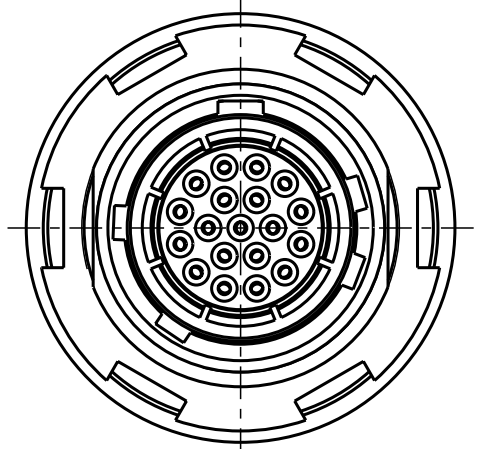
All Rights reserved, including possible patents or trademarks. Documents shall not be provided to a third party or duplicated in any form without prior written permission.

CAD: Pro/ENGINEER

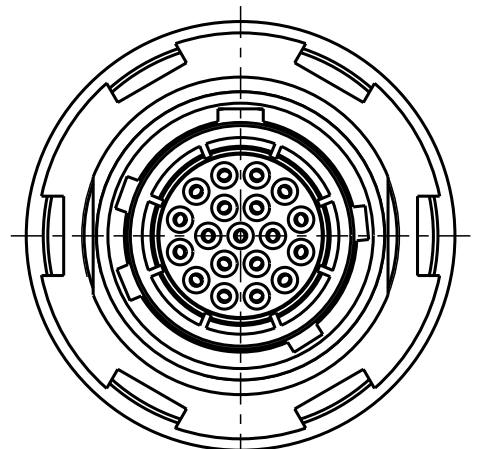
Additional coding  
View in direction B



GKAYBR-P19WCD0-000L  
Mechanical coding: B  
Color coding: red

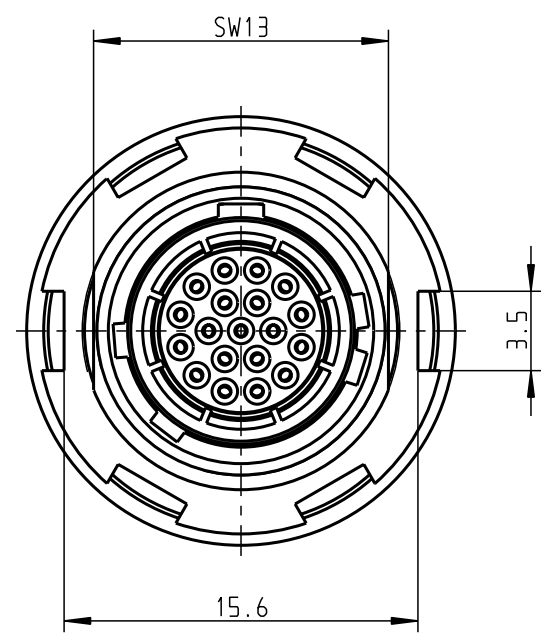
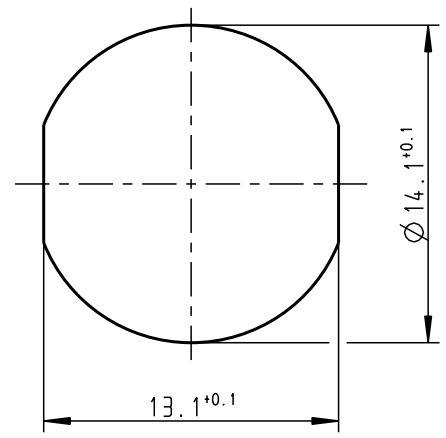


GKAYCR-P19WCD0-000L  
Mechanical coding: C  
Color coding: blue

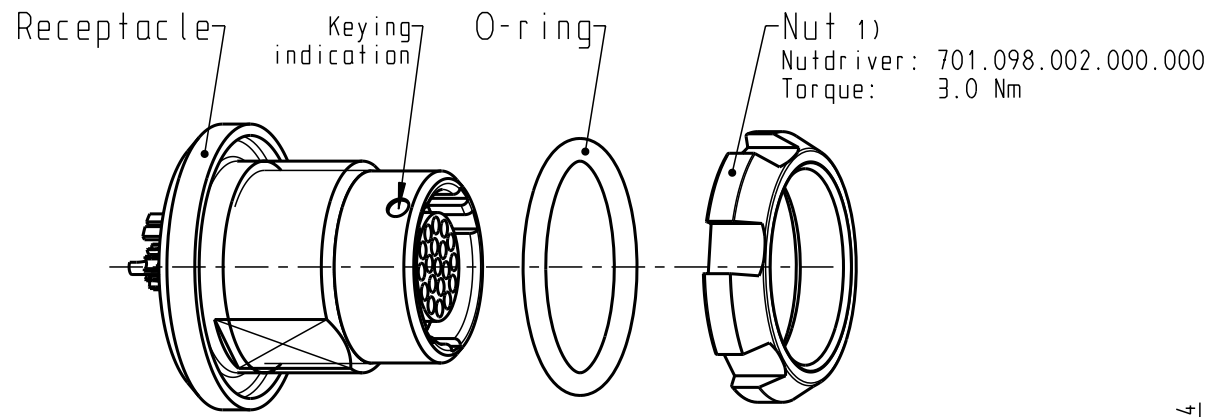
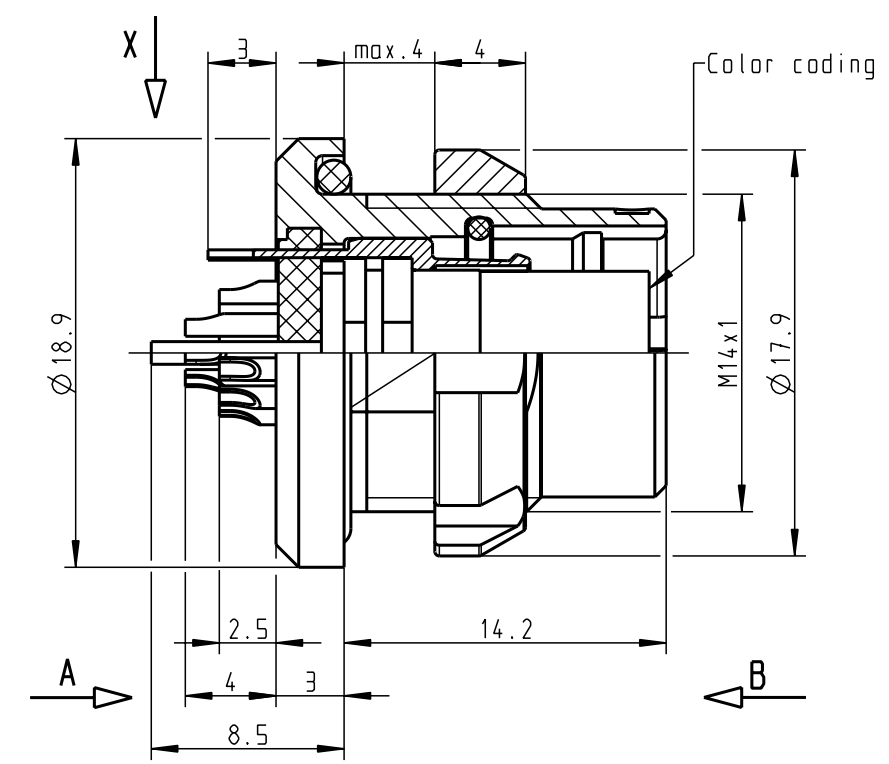


GKAYDR-P19WCD0-000L  
Mechanical coding: D  
Color coding: green

Panel cut-out

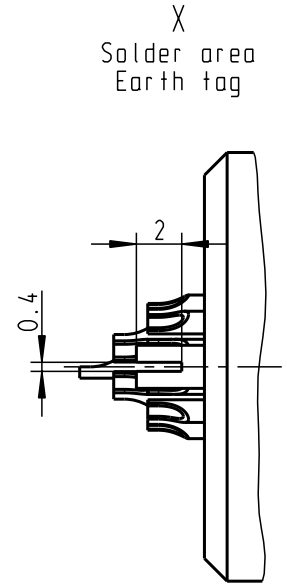


GKAYAR-P19WCD0-000L  
Mechanical coding: A  
Color coding: light brown

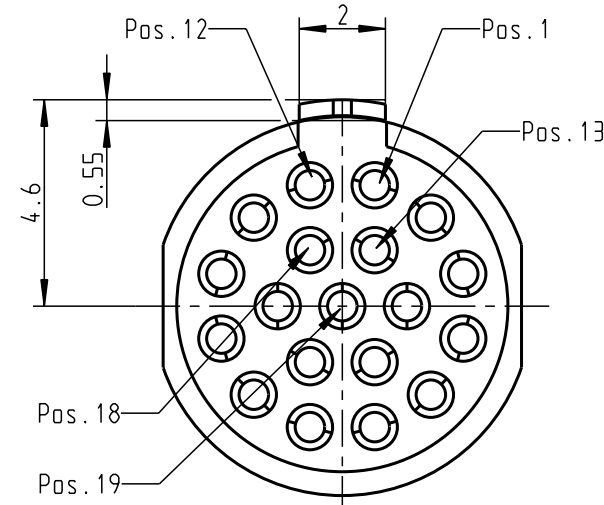


Delivery condition  
2:1

Nut 1)  
Nutdriver: 701.098.002.000.000  
Torque: 3.0 Nm



Only insert and earth tag  
View in direction A  
6:1



Technical information

- Solder contacts: AWG26
- Current load: 5A@±40° (Single contact)  
2.25A@±40° (Insert)
- Test voltage: 1000V (acc. SAE AS 13441:1998, Contact to contact)
- Rated voltage: 333V (acc. SAE AS 13441:1998) 2)
- For more technical information and accessories see catalogue ([www.odu.de/amc](http://www.odu.de/amc))

- 1) ODU recommend an additional locking of the nut with adhesive (e.g. Loctite 2701) to the screw thread.
- 2) Maximal operating voltage at sea level up to 2.000m. Rated voltage applies no other electrical safety standard. In case other standards rule a specific use of the connector, the application specific safety criteria shall be considered first. This must be evaluated in the frame of equipment engineering.

All shown connectors are according to DIN EN 61984:2009 connectors without breaking capacity (COC)!

				Dimensions without tolerances acc. to middle DIN ISO 2768		PE-modell-nr.:	
						CAD-nr.: 00052484 sheet.:	
				2012 date name		designation:	
				prep. 22.05. M. Meier		Receptacle style K AMC Standard Version	
				app.		scale: 3:1	
				norm.		drawing nr.:	
						GKAY.R-P19WCD0-000L	
						copy	
index notice date name				otto dunkel gmbh		replacement for:	
						nr.:	

# Mouser Electronics

Authorized Distributor

Click to View Pricing, Inventory, Delivery & Lifecycle Information:

[ODU USA:](#)

[GKAYAR-P19WCD0-000L](#)