

**S11ME7-P06MFG0-6570**  
**medi\_snap, type\_s1**

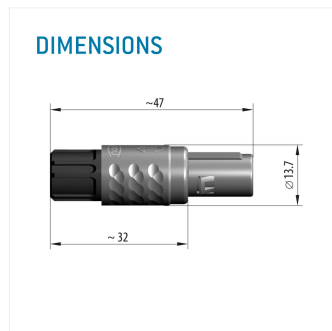


**General information**

<b>Part number</b>	S11ME7-P06MFG0-6570
<b>Termination</b>	solder
<b>Size</b>	1
<b>Locking principle</b>	push
<b>Coding</b>	e_key_medi
<b>Cable Diameter</b>	cable_medi_65
<b>Cable outlet</b>	standard



Illustrations may differ from original product.  
 Dimensions, unless otherwise specified, in mm.



The pin layout corresponds to the view on the termination area

**Contact insert description**

<b>Number of contacts</b>	6
<b>Contact type</b>	pins
<b>Contact diameter</b>	07mm
<b>Insulator material</b>	peek
<b>Wire cross section</b>	22_awg
<b>Termination</b>	solder
<b>Termination diameter</b>	085mm

reverse\_gender\_on\_request

**Technical information**

<b>Max. creepage and air clearance distance</b>	065_mm	iec_60601_2mopp_2moop
<b>Nominal current single contact</b>	075_a	iec_60512_5_2
<b>Nominal current insert</b>	5,625 A	vde_0298_4
<b>Test voltage</b>	11_kv_ac	eia_364_20f

safety\_text  
 iec\_60601\_plug

## Mechanical and environmental data

Degree of protection*	ip50
Operating temperature	50_120_c
Mating cycles	2000

mated\_unmated

## Insulator materials MEDI-SNAP®

psu\_peek

## Material and surface treatments

Housing	psu_gray
Color option	gray
Contact	cu_alloy_gold

safety\_text\_2  
ul\_text  
illustrative\_text

# Mouser Electronics

Authorized Distributor

Click to View Pricing, Inventory, Delivery & Lifecycle Information:

[ODU:](#)

[S11ME7-P06MFG0-6570](#)