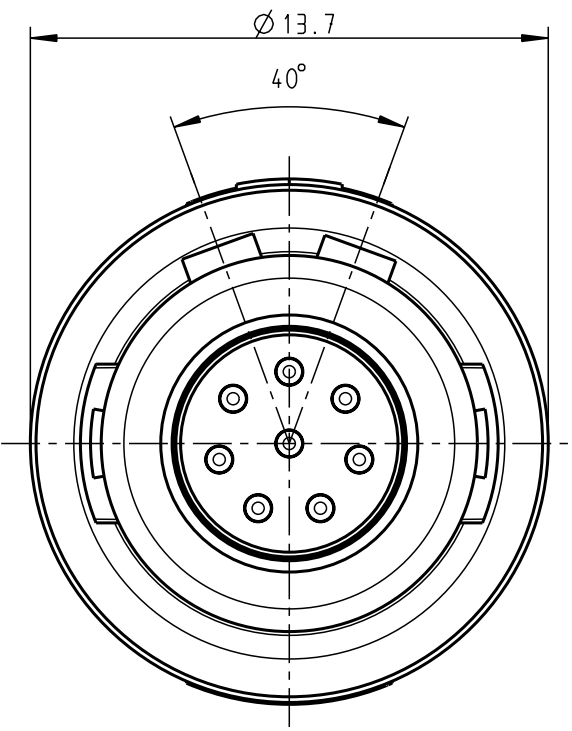
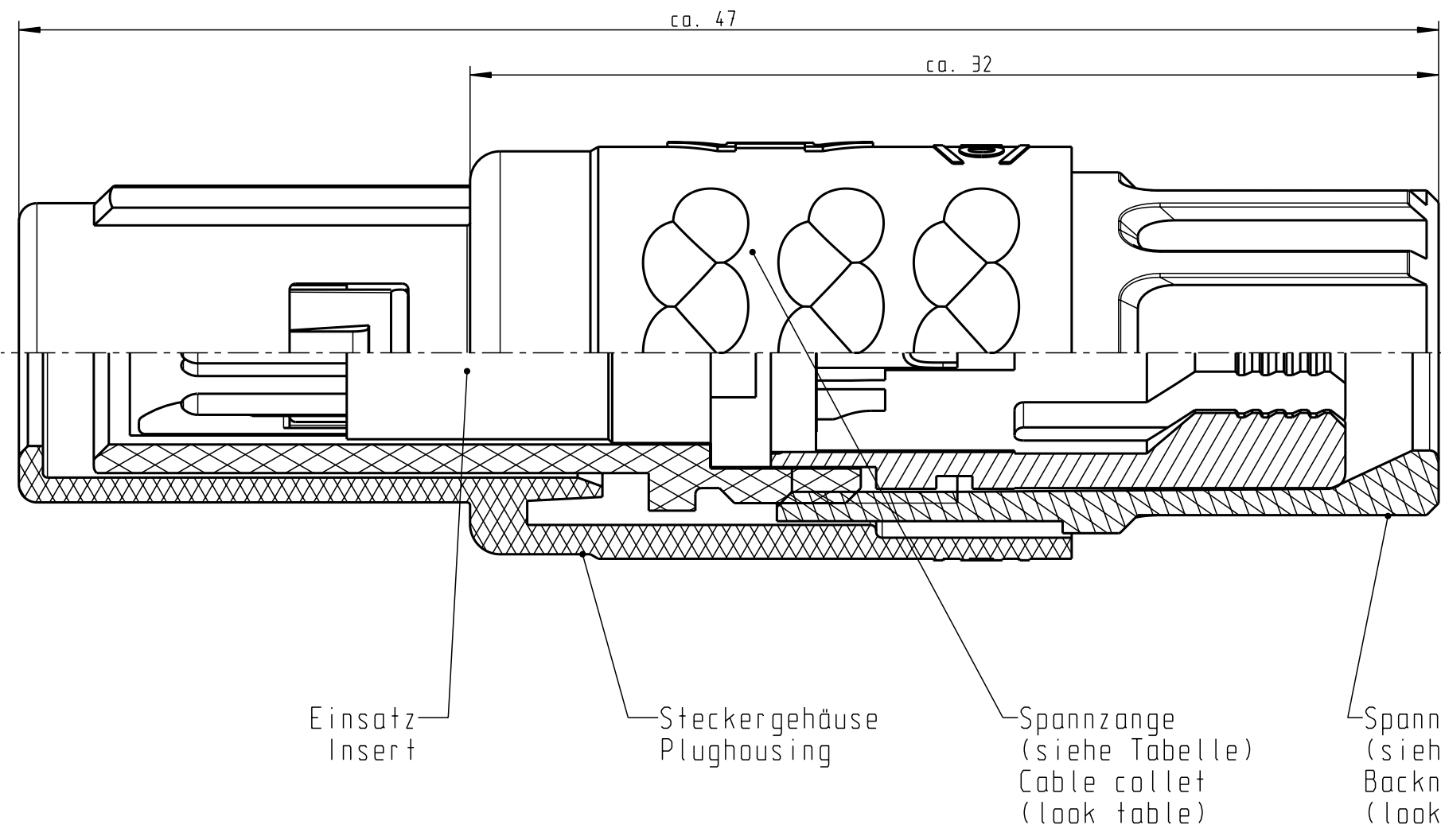


For these drawings, we reserve all rights, including the right to use the drawings for the production of other parts, without the need for approval. The drawings are not to be used for the production of other parts without the written permission of ODU.

For these drawings, we reserve all rights, including the right to use the drawings for the production of other parts, without the need for approval. The drawings are not to be used for the production of other parts without the written permission of ODU.

All rights reserved, including possible patents or trademarks. Documents shall not be provided to a third party or duplicated in any form without prior written permission.

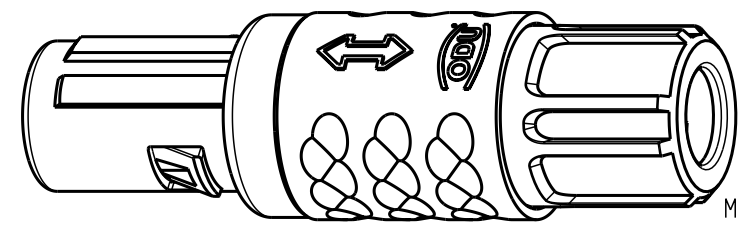
CAD: Pro/ENGINEER



Technische Daten/Technical Data:


Werkstoffe/Materials: Gehäuse/Housing: PSU / grau / grey
 Kontakte/Contacts: Cu-Legierung /Cu-alloy
 Isolierkörper/Insulation Body: PEEK
 Oberflächen/Surfaces: Gehäuse/Housing: gal. Au
 Kontakte/Contacts: gal. Au
 Schutzart im gesteckten Zustand: IP 50 /Protection Class in mated condition

KontaktØ /ContactØ: Ø 0.7 mm
 Anschluß/Termination: Löt/Solder 0.15 mm² AWG 26
 Prüfspannung/Test Voltage: 1.6 kV DC (SAE AS13441)
 Strombelastung/Current Load: Einzelkontakte/single contacts 7 A
 8-polig / 8-pos.: (IEC 512-3 / VDE 0298 T4) 3.85 A



⊙	S11MA7-P08MFDO-..20	rot / red
	S11MA7-P08MFDO-..30	weiß / white
	S11MA7-P08MFDO-..40	gelb / yellow
	S11MA7-P08MFDO-..50	grün / green
	S11MA7-P08MFDO-..60	blau / blue
	S11MA7-P08MFDO-..70	grau / grey
	S11MA7-P08MFDO-..80	schwarz / black
	Artikelnummer Partnumber	Farbe Spannmutter Colour Backnut

S11MA7-P08MFDO-39..	min. 2.7	max. 3.9
S11MA7-P08MFDO-52..	min. 4.0	max. 5.2
S11MA7-P08MFDO-65..	min. 5.3	max. 6.5
Artikelnummer Partnumber	KabelØ CableØ	

Maße ohne Toleranzangabe nach DIN ISO 2768		Rahteil: hierzu Stückliste		Rohgew.:	PE-Modell-Nr.: 00020711
2002	Tag	Name	Benennung:	CAD-Nr.: 00021750	Bl.: 5:1
Bearb.	15.11.	Braun F.	Stecker cpl.	Zeichnungs Nr.: S11MA7-P08MFDO-....	Vervielf. Pause
Gepr.					
Norm.			Ersatz für:		Nr.
And-zust.	Aend.-Mitt.	Datum	Name	 otto dunkel gmbh	

Mouser Electronics

Authorized Distributor

Click to View Pricing, Inventory, Delivery & Lifecycle Information:

[ODU USA:](#)

[S11MA7-P08MFD0-3920](#)