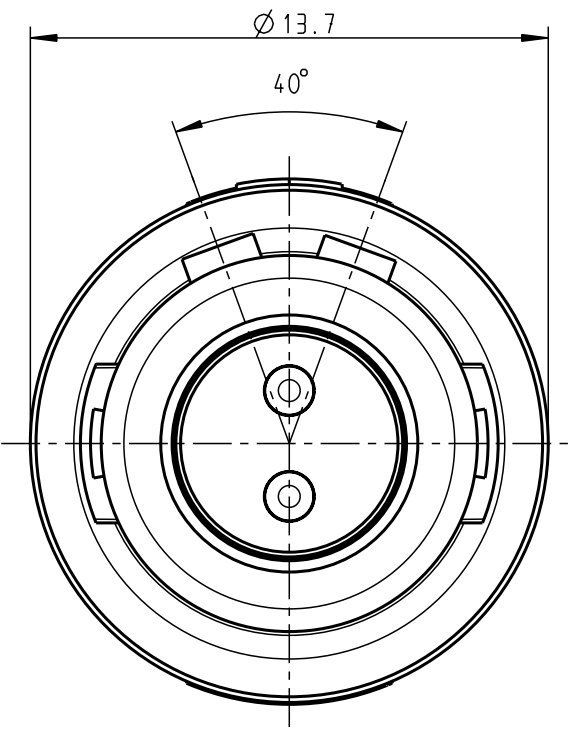
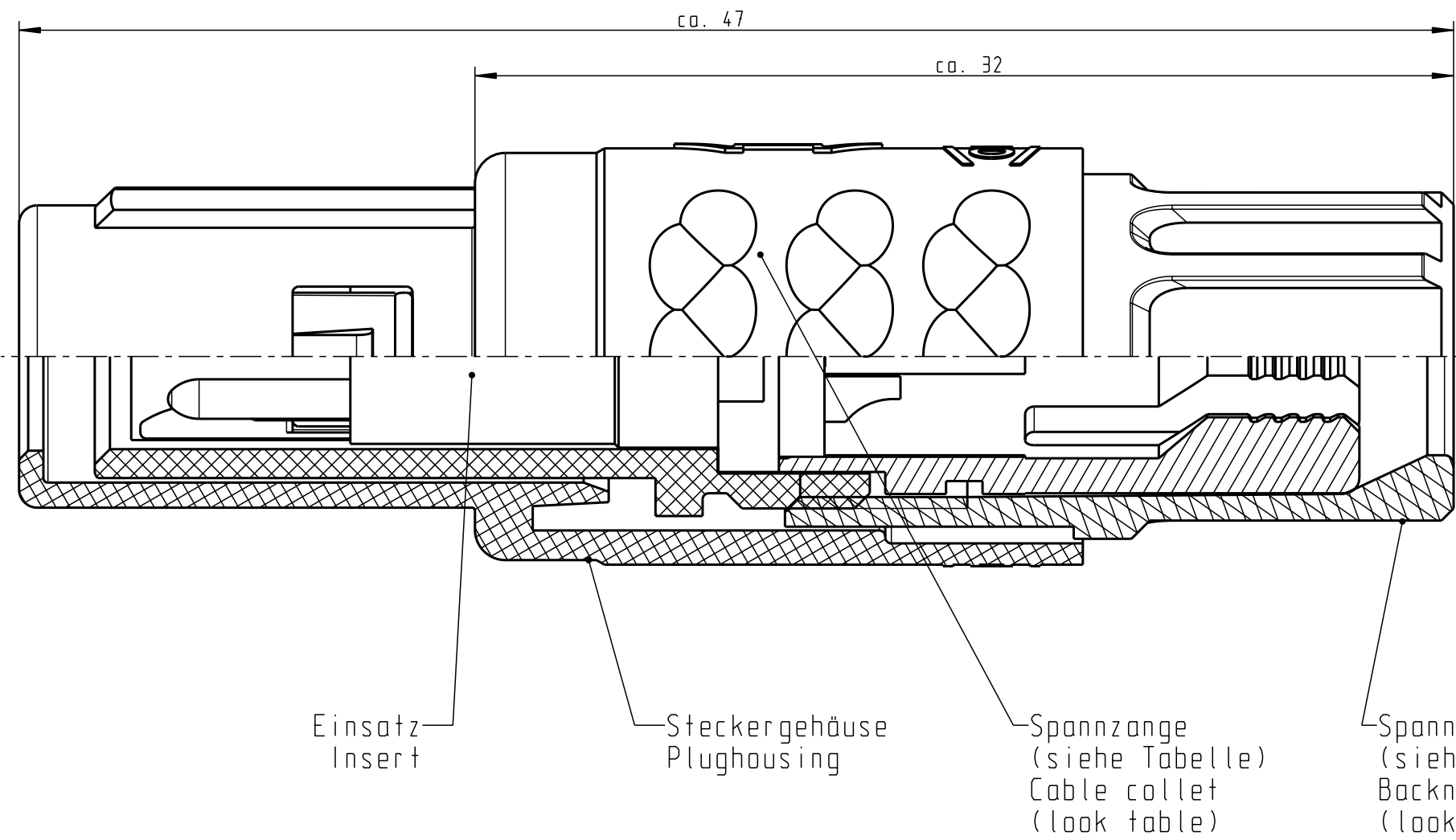


For these drawings, we reserve all rights, including the right to use the drawings for the production of the drawings, without the prior written permission of the manufacturer.

For these drawings, we reserve all rights, including the right to use the drawings for the production of the drawings, without the prior written permission of the manufacturer.

All rights reserved, including possible patents or trademarks. Documents shall not be provided to a third party or duplicated in any form without prior written permission.

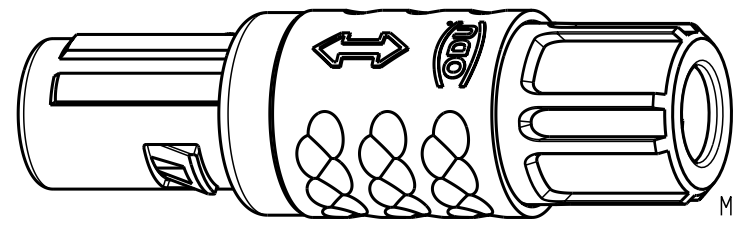
CAD: Pro/ENGINEER



Technische Daten/Technical Data:

Werkstoffe/Materials: Gehäuse/Housing: PSU / grau / grey
 Kontakte/Contacts: Cu-Legierung /Cu-alloy
 Isolierkörper/Insulation Body: PEEK
 Oberflächen/Surfaces: Gehäuse/Housing: gal. Au
 Schutzart im gesteckten Zustand: IP 50 /Protection Class in mated condition

KontaktØ /ContactØ: Ø 1.3 mm
 Anschluß/Termination: 0.5mm² AWG 20
 Prüfspannung/Test Voltage: 1.9 kV DC (SAE AS 13441)
 Strombelastung/Current Load: Einzelkontakte/single contacts: 14 A
 2-polig / 2-pos.: 14 A (IEC 512-3 / VDE 0298 T4)



S11MA7-P02MPHO-..20	rot / red		
S11MA7-P02MPHO-..30	weiß / white		
S11MA7-P02MPHO-..40	gelb / yellow		
S11MA7-P02MPHO-..50	grün / green		
S11MA7-P02MPHO-..60	blau / blue		
S11MA7-P02MPHO-..70	grau / grey		
S11MA7-P02MPHO-..80	schwarz / black		
Artikelnummer Partnumber	KabelØ CableØ	Artikelnummer Partnumber	Farbe Spannmutter Colour Backnut

Maße ohne Toleranzangabe nach DIN ISO 2768		Rahteil: hierzu Stückliste		Rohgew.:	PE-Modell-Nr.:
2003	Tag	Name	Benennung:	CAD-Nr.:	Bl.:
Bearb.	21.07.	Braun F.	Stecker cpl.	00023916	Maßstab: 5:1
Gepr.					
Norm.			Zeichnungs Nr.:	S11MA7-P02MPHO-....	Vervielf. Pause
And-zust.	Aend.-Mitt.	Datum	Name	Ersatz für:	Nr.



Mouser Electronics

Authorized Distributor

Click to View Pricing, Inventory, Delivery & Lifecycle Information:

[ODU USA:](#)

[S11MA7-P02MPH0-6580](#)