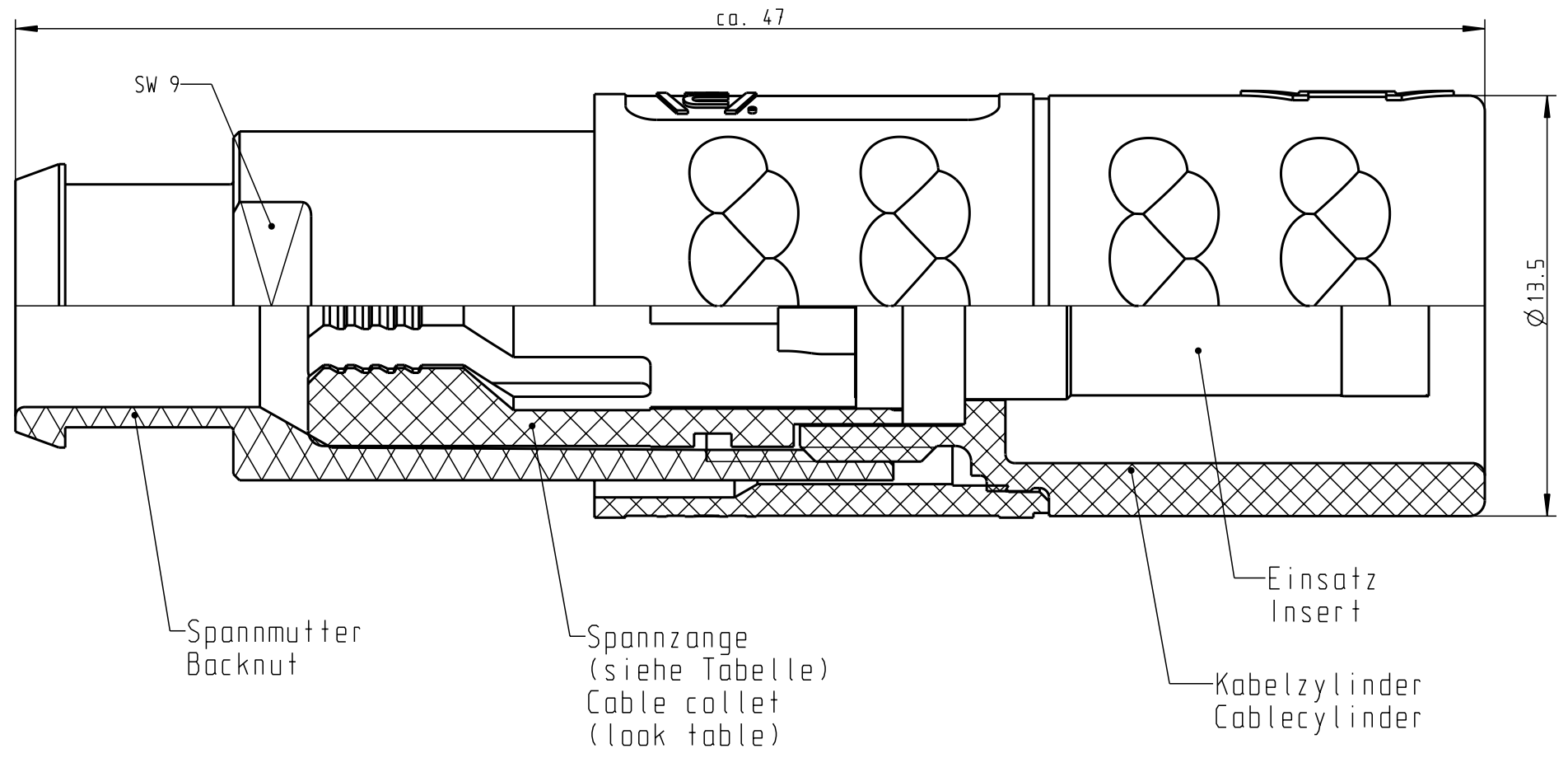
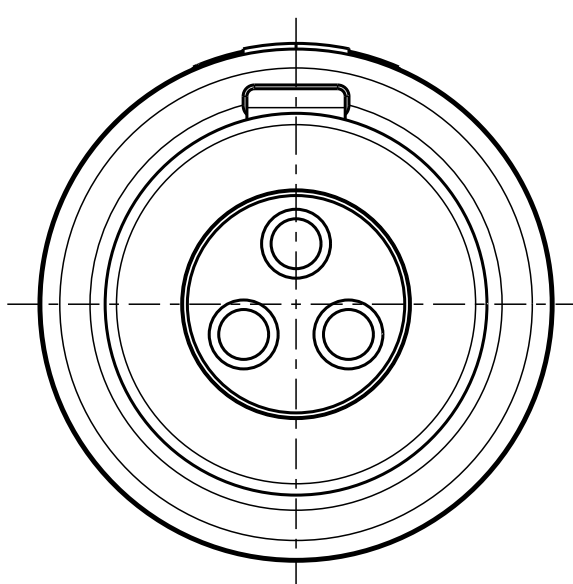


For these drawings, all rights reserved. For the use of these drawings, the user must obtain the necessary permission from the manufacturer. In case of patent infringement or trademark violation, the manufacturer is not liable. The user is responsible for the correct use of the drawings.

Only red stamped or on-jobcard printed documents are managed. These documents are approved for production.

All rights reserved, including possible patents or trademarks. Documents shall not be provided to a third party or duplicated in any form without prior written permission.

CAD: Pro/ENGINEER

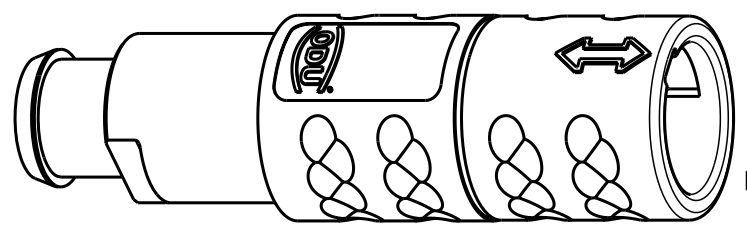


Technische Daten/Technical Data:

Werkstoffe/Materials: PSU / grau / grey
 Gehäuse/Housing: PSU / grau / grey
 Kontakte/Contacts: Cu-Legierung / Cu-alloy
 Isolierkörper/Insulation Body: PEEK
 Oberflächen/Surfaces: gal. Au
 Kontakte/Contacts: gal. Au

KontaktØ / ContactØ: Ø 1.3 mm
 Anschluß/Termination: 0.50mm² AWG 20
 Löt/Solder
 Prüfspannung/Test Voltage: 1.90 kV DC (SAE AS 13441)
 Strombelastung/Current Load: Einzelkontakte/Single contacts 14 A
 3 polig / 3 position: 14 A
 (IEC 512-3 / VDE 0298 T4)

K21M07-P03LPH9-397S	min. 2.7	max. 3.9
K21M07-P03LPH9-527S	min. 4.0	max. 5.2
K21M07-P03LPH9-657S	min. 5.3	max. 6.5
Artikelnummer Partnumber	KabelØ CableØ	



Maße ohne Toleranzangabe nach mittel DIN ISO 2768		Rohteil:		Rohgew.:	PE-Modell-Nr.:
2009 Tag Name		Benennung:		CAD-Nr.:	Bl.:
Bearb. 15.10. Lengmüller		Kabelteil cpl.		00044056	Maßstab:
Gepr.					5:1
Norm.					
		Zeichnungs-Nr.:		Vervielf. Pause	
		K21M07-P03LPH9-..7S			
And-zust.		Ersatz für:		Nr.	
Aend.-Mitt.	Datum	Name			



Mouser Electronics

Authorized Distributor

Click to View Pricing, Inventory, Delivery & Lifecycle Information:

[ODU USA:](#)

[K21M07-P03LPH9-397S](#)