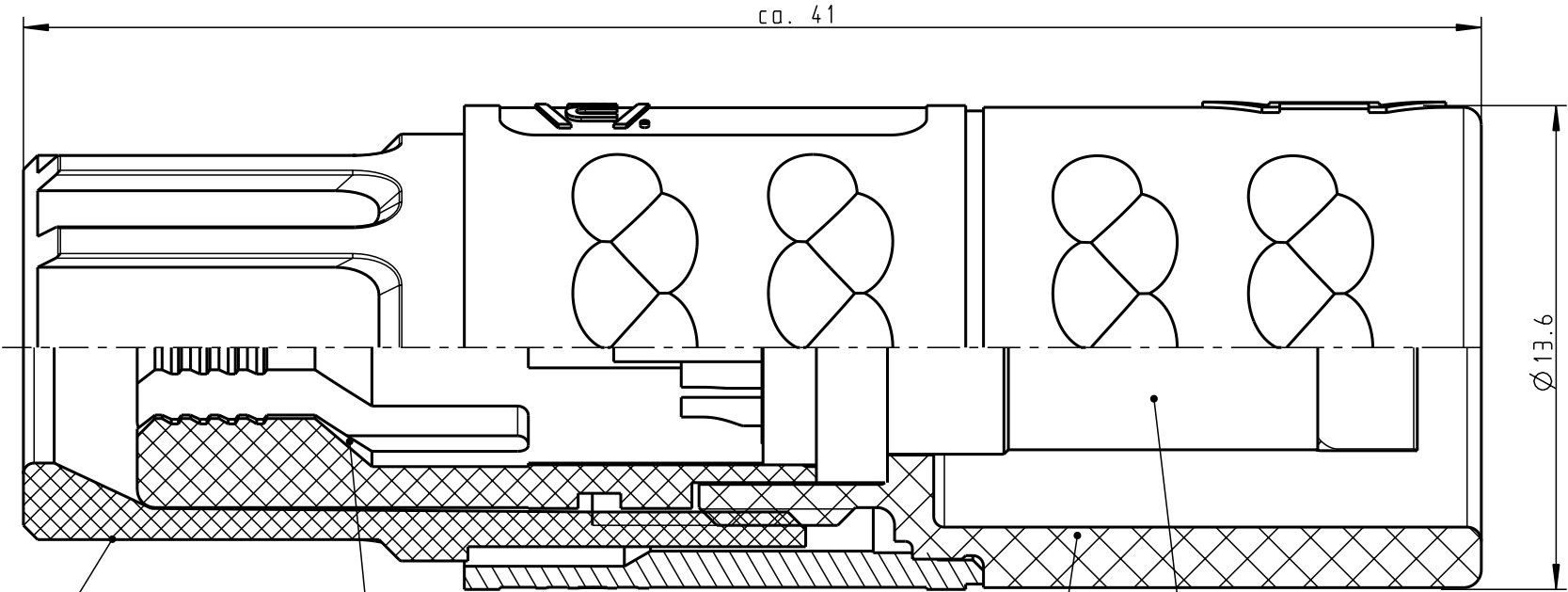
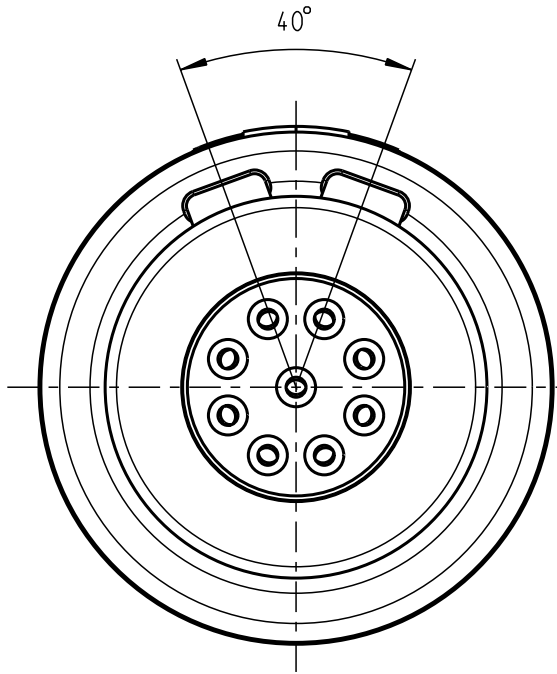


For these drawings, we reserve all rights. For the use of the drawings for the production of parts, the approval of the manufacturer is required. The drawings are not to be used for the production of parts without the approval of the manufacturer.

For these drawings, we reserve all rights. For the use of the drawings for the production of parts, the approval of the manufacturer is required. The drawings are not to be used for the production of parts without the approval of the manufacturer.

All rights reserved, including possible patents or trademarks. Documents shall not be provided to a third party or duplicated in any form without prior written permission.

CAD: Pro/ENGINEER

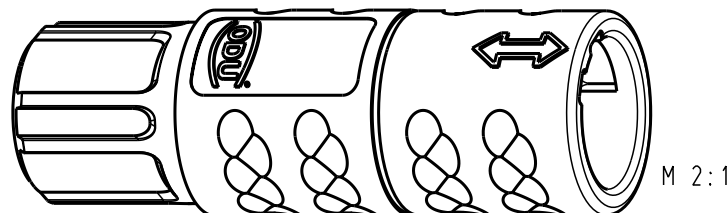


Spannmutter (siehe Tabelle) / Backnut (look table)  
 Spannzange (siehe Tabelle) / Cable collet (look table)  
 Kabelzylinder / Cablecylinder  
 Einsatz / Insert

Technische Daten/Technical Data:

Werkstoffe/Materials: PSU / grau / grey  
 Gehäuse/Housing: PSU / grau / grey  
 Kontakte/Contacts: Cu-Legierung / Cu-alloy  
 Isolierkörper/Insulation Body: PEEK  
 Oberflächen/Surfaces: gal. Au  
 Kontakte/Contacts: gal. Au  
 Schutzart im gesteckten Zustand: IP 50 / Protection Class in mated condition

KontaktØ / ContactØ:  $\varnothing 0.5 \text{ mm}$   
 Anschluß/Termination: 0.08mm<sup>2</sup> / AWG 28  
 Löt/Solder  
 Prüfspannung/Test Voltage: 1.35 kV DC (SAE AS 13441)  
 Strombelastung/Current Load: 5 A  
 Einzelkontakte/Single contacts: 2.75 A  
 9 polig / 9 position: (IEC 512-3 / VDE 0298 T4)



K11MA7-P09LCC0-..20	rot / red
K11MA7-P09LCC0-..30	weiß / white
K11MA7-P09LCC0-..40	gelb / yellow
K11MA7-P09LCC0-..50	grün / green
K11MA7-P09LCC0-..60	blau / blue
K11MA7-P09LCC0-..70	grau / grey
K11MA7-P09LCC0-..80	schwarz / black

K11MA7-P09LCC0-39..	min. 2.7	max. 3.9	K11MA7-P09LCC0-..60	blau / blue
K11MA7-P09LCC0-52..	min. 4.0	max. 5.2	K11MA7-P09LCC0-..70	grau / grey
K11MA7-P09LCC0-65..	min. 5.3	max. 6.5	K11MA7-P09LCC0-..80	schwarz / black

Maße ohne Toleranzangabe nach DIN ISO 2768		Rahteil: hierzu Stückliste		Rohgew.:	PE-Modell-Nr.: 00020186
2009	Tag	Name	Benennung:	CAD-Nr.: 00041759	Bl.: 5:1
Bearb.	07.04.	Träger	Kabelteil cpl.	Zeichnungs Nr.: K11MA7-P09LCC0-....	Vervielf. Pause
Gepr.					
Norm.			Ersatz für:		Nr.
And-zust.		Aend.-Mitt.	Datum	Name	



# Mouser Electronics

Authorized Distributor

Click to View Pricing, Inventory, Delivery & Lifecycle Information:

[ODU USA:](#)

[K11MA7-P09LCC0-3920](#)